



US00D921067S

(12) **United States Design Patent**
Chen

(10) **Patent No.:** **US D921,067 S**

(45) **Date of Patent:** **** Jun. 1, 2021**

(54) **ICE CREAM MOLD**

(71) Applicant: **Wenfu Chen**, Jiangxi (CN)

(72) Inventor: **Wenfu Chen**, Jiangxi (CN)

(**) Term: **15 Years**

(21) Appl. No.: **29/690,221**

(22) Filed: **May 7, 2019**

(51) **LOC (13) Cl.** **15-07**

(52) **U.S. Cl.**

USPC **D15/90**

(58) **Field of Classification Search**

USPC D15/79-91

CPC .. F25C 5/002; F25C 5/005; F25C 5/12; F25C

1/04; F25C 2500/02; F25C 2500/08;

F25C 2700/02; F25C 5/02; F25C 5/046;

F25C 5/187

See application file for complete search history.

(56) **References Cited**

U.S. PATENT DOCUMENTS

D636,412 S * 4/2011 Misse D15/90

D689,747 S * 9/2013 Zorovich D7/672

D690,169 S * 9/2013 Zorovich D7/672

D764,552 S * 8/2016 Traub D15/90

D862,179 S * 10/2019 Pereira Da Silva D7/672

D880,542 S * 4/2020 Burns D15/90

* cited by examiner

Primary Examiner — Khawaja Anwar

(57) **CLAIM**

I claim the ornamental design for the ice cream mold, as shown and described.

DESCRIPTION

FIG. 1 is a perspective view of an ice cream mold showing my new design;

FIG. 2 is a front elevational view thereof;

FIG. 3 is a rear elevational view thereof;

FIG. 4 is a left side elevational view thereof;

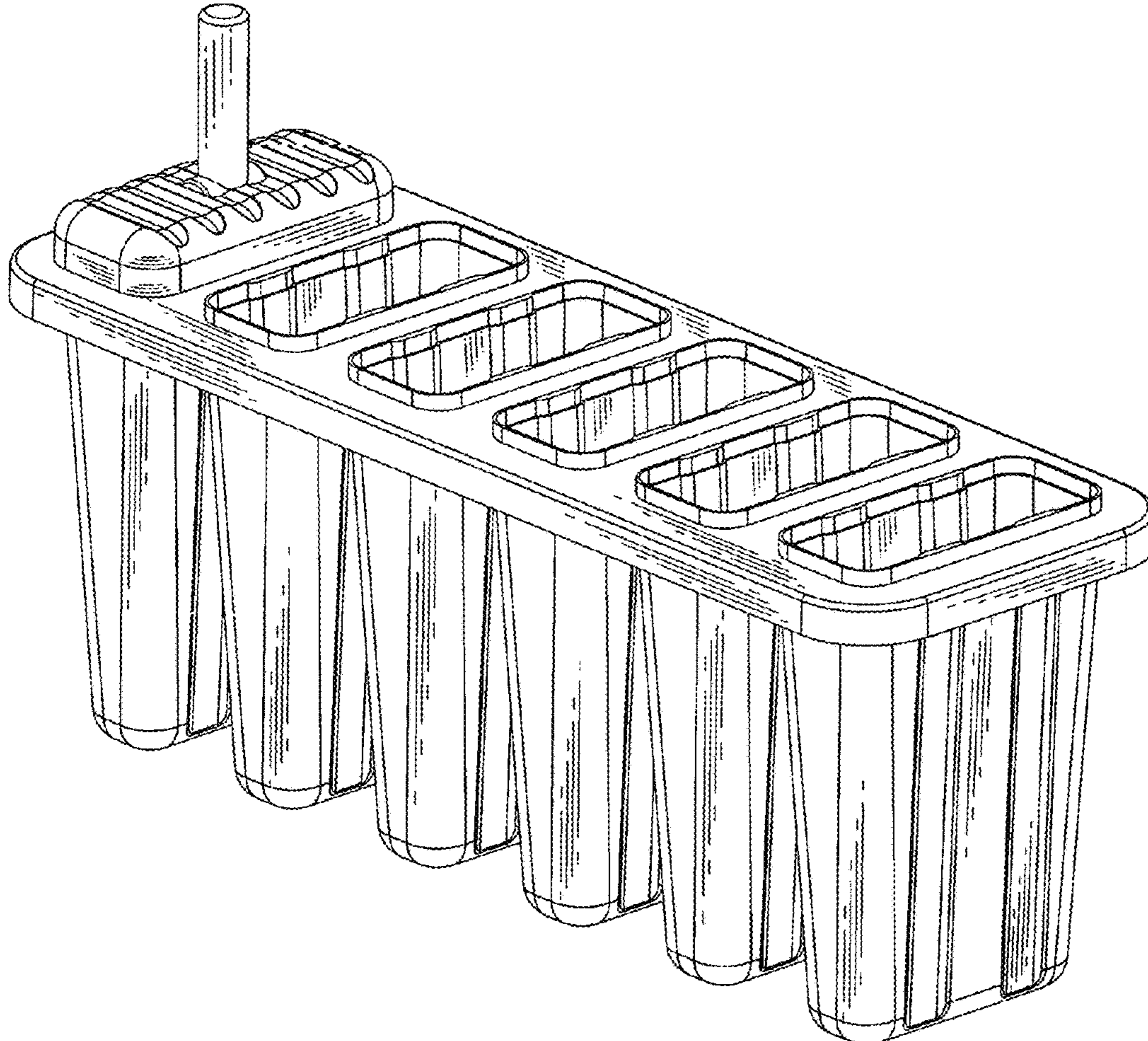
FIG. 5 is a right side elevational view thereof;

FIG. 6 is a top plan view thereof; and,

FIG. 7 is a bottom plan view thereof.

The broken lines illustrate portions of the ice cream mold that form no part of the claimed design.

1 Claim, 7 Drawing Sheets



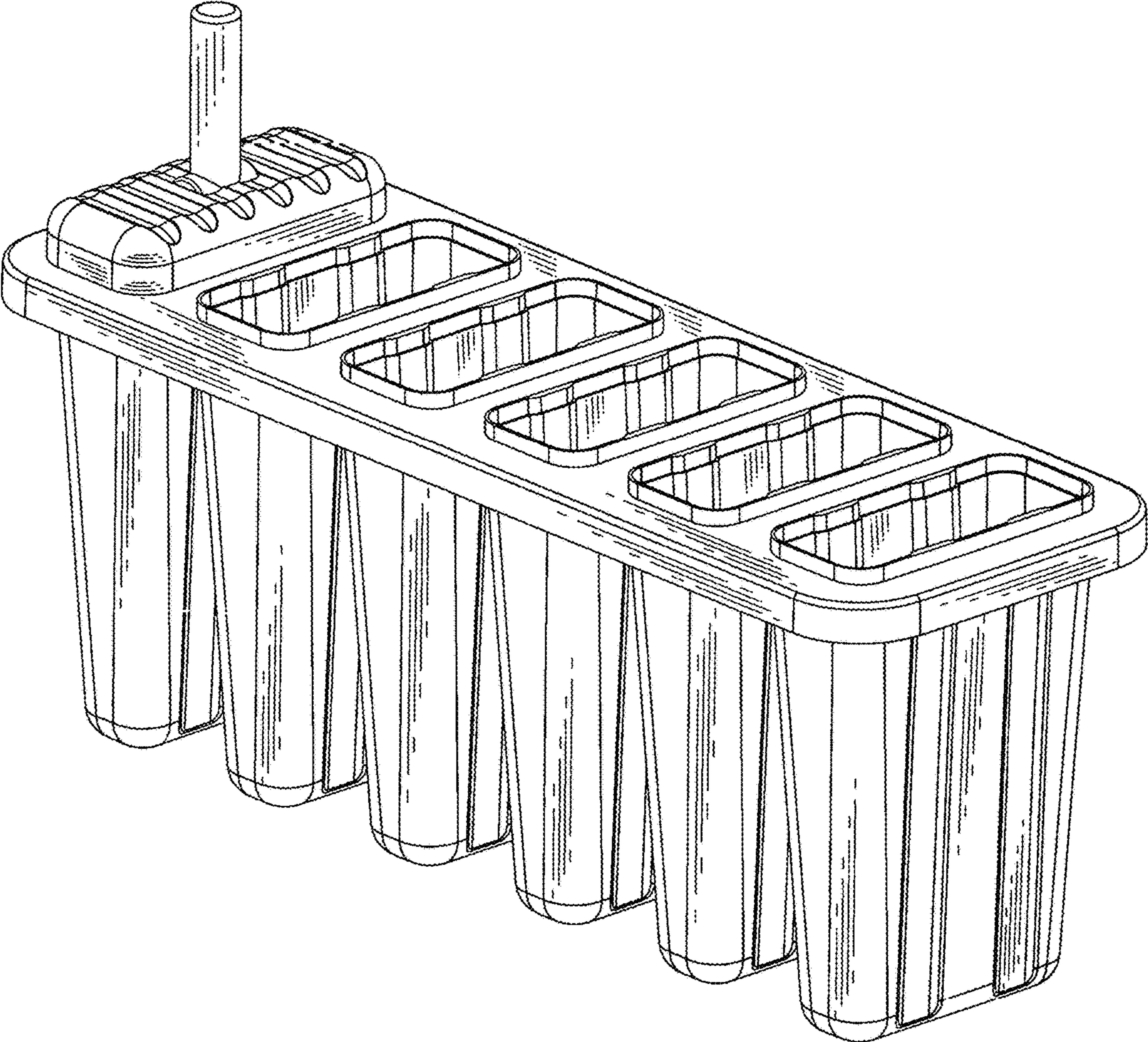


FIG. 1

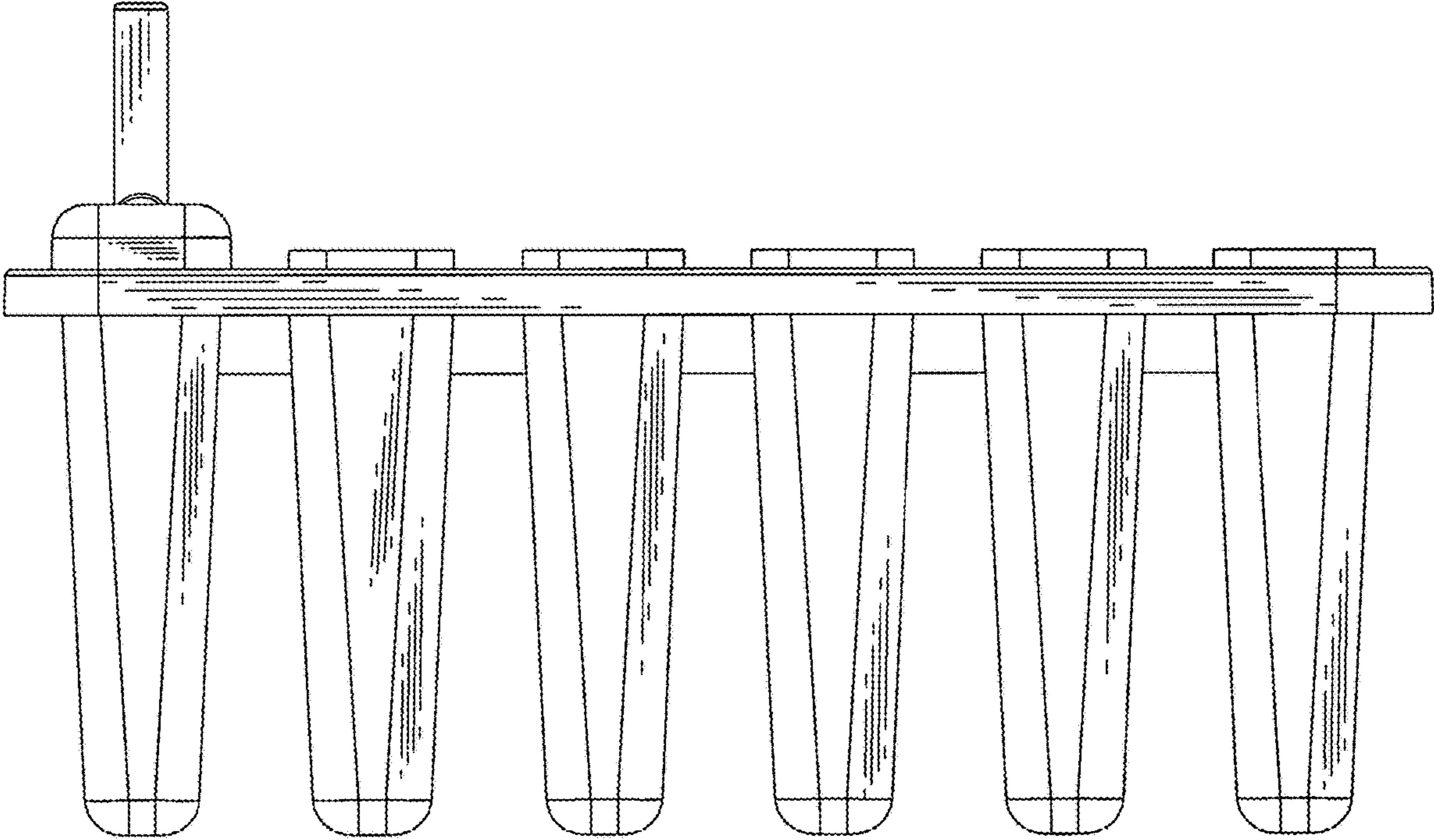


FIG. 2

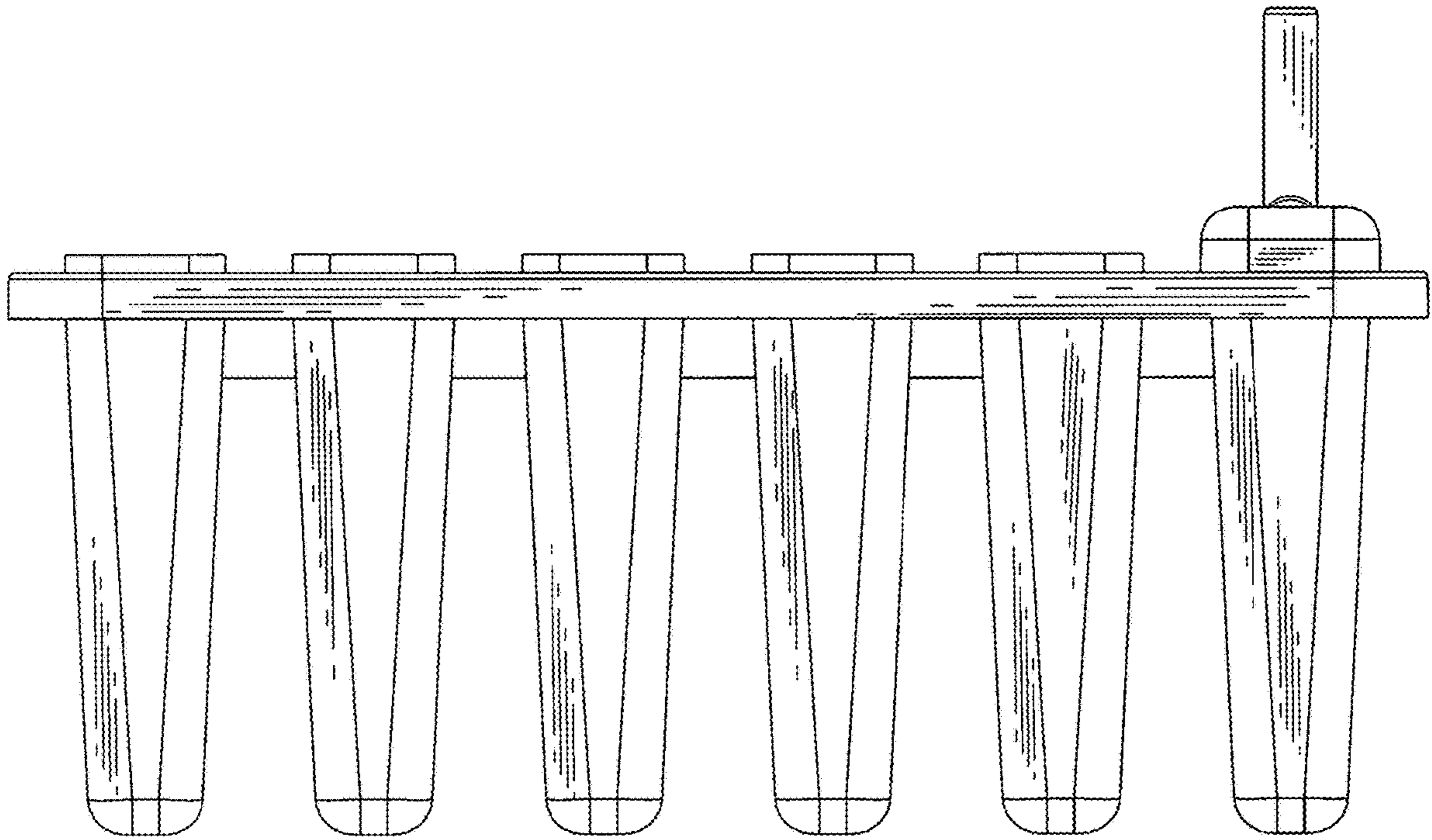


FIG. 3

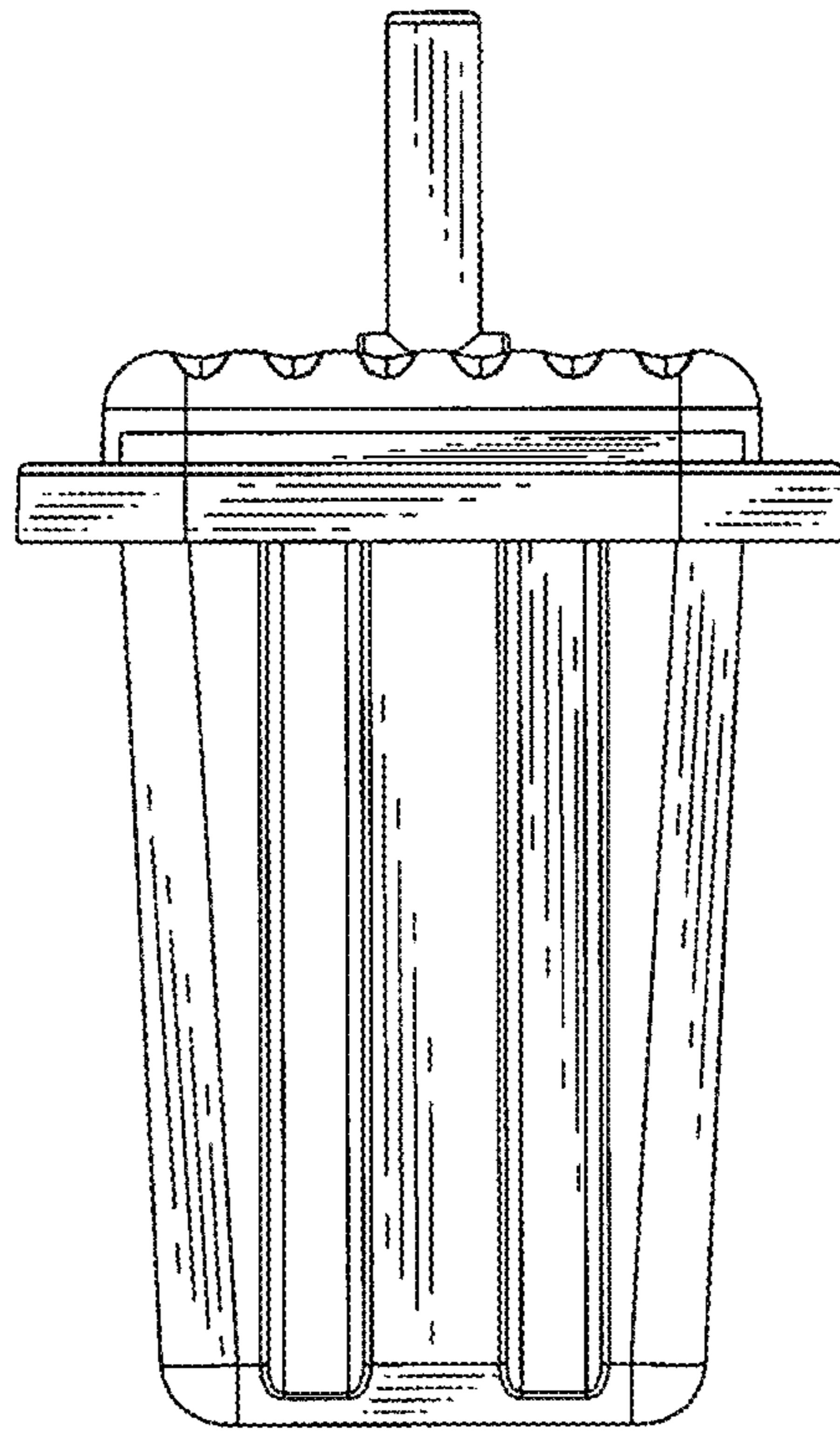


FIG. 4

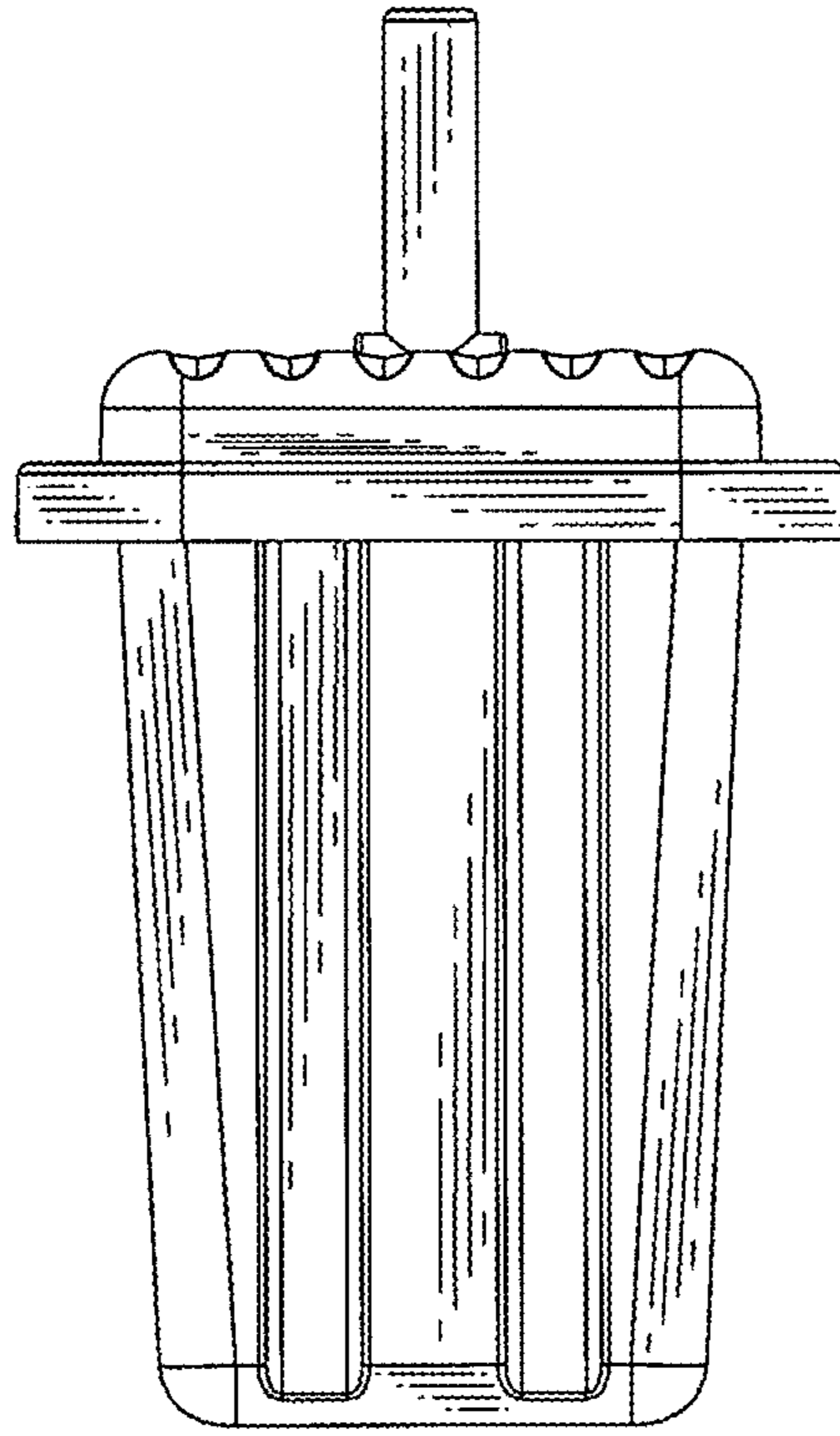


FIG. 5

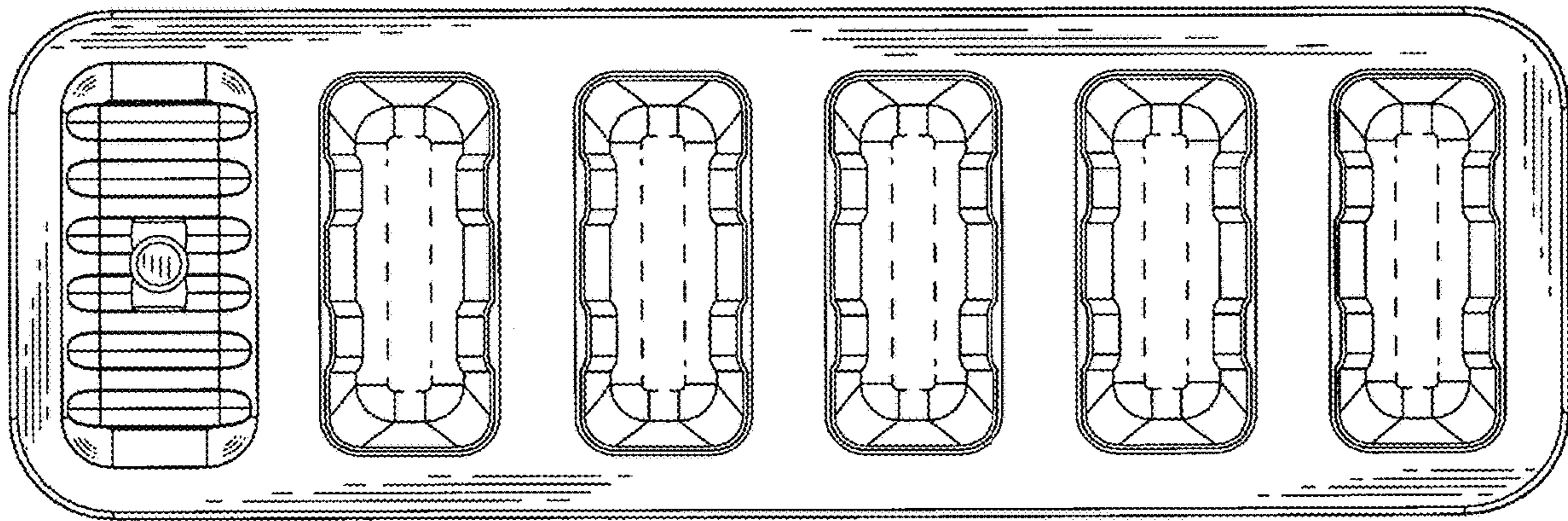


FIG. 6

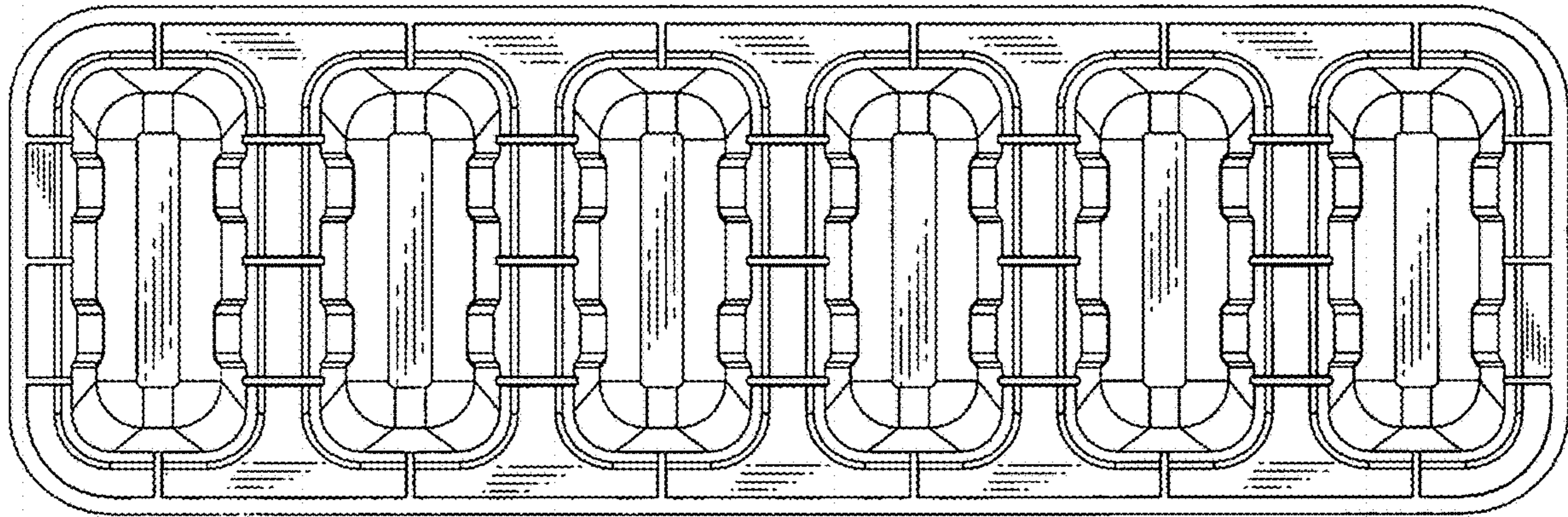


FIG. 7