



US00D921065S

(12) **United States Design Patent**
Lee et al.

(10) **Patent No.:** **US D921,065 S**
(45) **Date of Patent:** **** Jun. 1, 2021**

(54) **REFRIGERATOR**

FOREIGN PATENT DOCUMENTS

(71) Applicant: **Samsung Electronics Co., Ltd.**,
Suwon-si (KR)

CN 303877587 10/2016
CN 304073602 3/2017

(Continued)

(72) Inventors: **Seonju Lee**, Suwon-si (KR);
Cheolwoong Seo, Suwon-si (KR);
Sanghyun Lee, Suwon-si (KR)

Primary Examiner — Mojtaba Tehrani
(74) *Attorney, Agent, or Firm* — Cantor Colburn LLP

(73) Assignee: **SAMSUNG ELECTRONICS CO., LTD.**, Gyeonggi-Do (KR)

(57) **CLAIM**

The ornamental design for a refrigerator, as shown and described.

DESCRIPTION

(**) Term: **15 Years**

(21) Appl. No.: **29/724,256**

(22) Filed: **Feb. 13, 2020**

(30) **Foreign Application Priority Data**

Sep. 4, 2019 (KR) 30-2019-0042723

(51) **LOC (13) Cl.** **15-07**

(52) **U.S. Cl.**
USPC **D15/89**

(58) **Field of Classification Search**

USPC D15/79, 80, 81, 82, 83, 84, 85, 86, 87,
D15/88, 89, 90, 91

CPC F25C 2400/10; F25D 2400/10; F25D
2400/12; F25D 2400/14; F25D 2400/18;
G05B 2219/2654; G09F 23/0058; Y10S
292/71

See application file for complete search history.

(56) **References Cited**

U.S. PATENT DOCUMENTS

D420,015 S * 2/2000 DeBoer D15/89
D502,950 S * 3/2005 Moraes De Sa Cavalcanti

D698,832 S * 2/2014 Lee D15/89

(Continued)

FIG. 1 is a perspective view of a refrigerator, showing our new design;

FIG. 2 is a front view thereof;

FIG. 3 is a rear view thereof;

FIG. 4 is a left side view thereof;

FIG. 5 is a right side view thereof;

FIG. 6 is a top view thereof;

FIG. 7 is a bottom view thereof;

FIG. 8 is another perspective view in which the door is separated from the refrigerator, showing our design more clearly;

FIG. 9 is an enlarged view of the encircled portion 9 of FIG. 1;

FIG. 10 is an enlarged view of the encircled portion 10 of FIG. 2;

FIG. 11 is an enlarged view of the encircled portion 11 of FIG. 4;

FIG. 12 is a cross-sectional view taken along line 12-12 of FIG. 8; and,

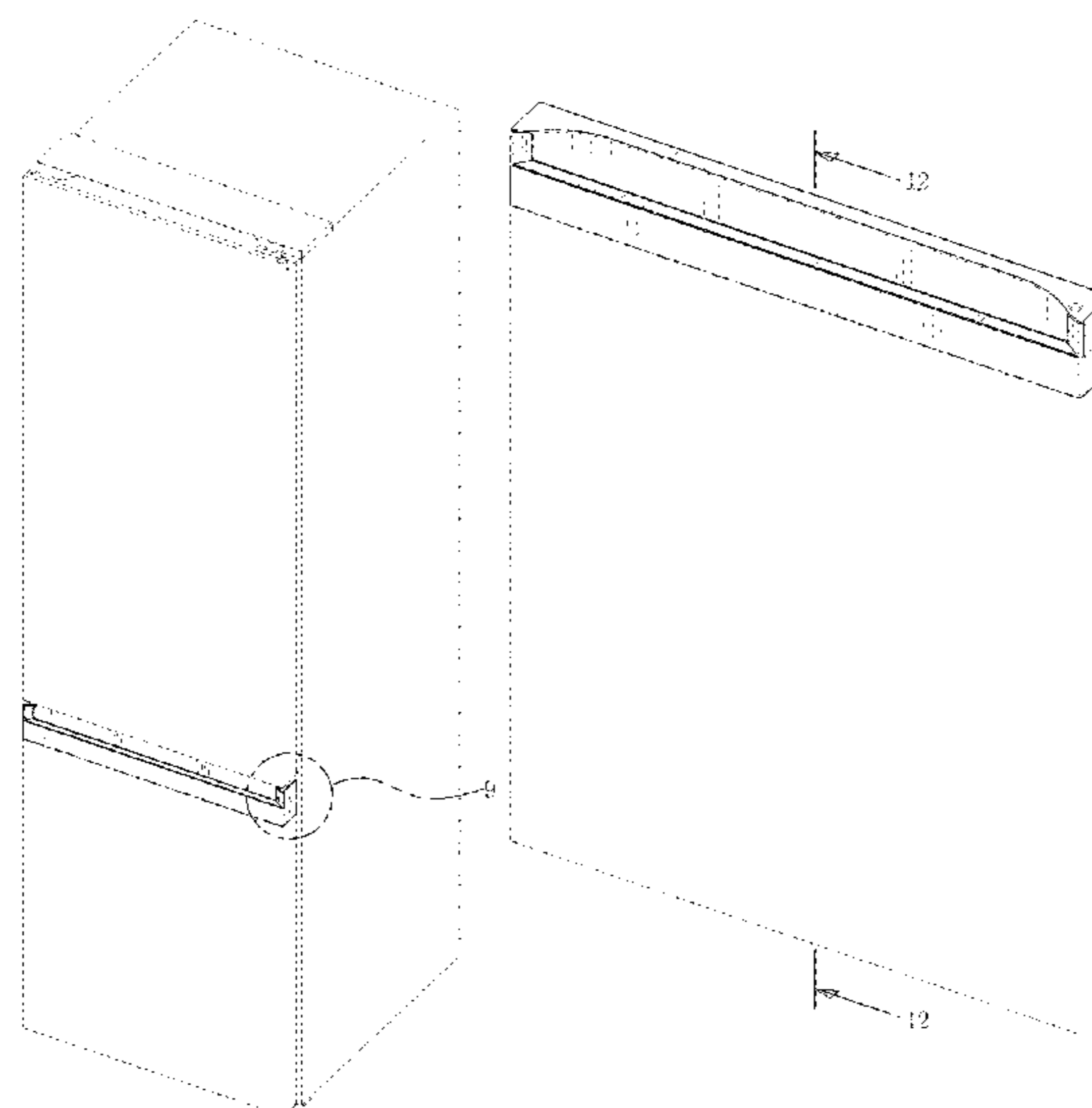
FIG. 13 is an enlarged view of the encircled portion 13 of FIG. 12.

The broken lines illustrating portions of the refrigerator form no part of the claimed design.

The dot-dash broken lines in the figure illustrate a boundary of the claimed design, and form no part of the claimed design.

The dot-dot-dash broken lines encircling enlargement portions of the design form no part of the claimed design.

1 Claim, 13 Drawing Sheets



(56)

References Cited

U.S. PATENT DOCUMENTS

D713,862 S *	9/2014	Lee	D15/86
D713,864 S *	9/2014	Kim	D15/89
D724,113 S *	3/2015	Seo	D15/85
D742,431 S *	11/2015	Seo	D15/86
D742,941 S *	11/2015	Choi	D15/86
D762,746 S *	8/2016	Heck	D15/89
D768,735 S *	10/2016	Choi	D15/89
D768,736 S *	10/2016	Choi	D15/89
D771,162 S *	11/2016	Lee	D15/91
D775,674 S *	1/2017	Seo	D15/86
D786,317 S *	5/2017	Kim	D15/85
D789,996 S *	6/2017	Kim	D15/86
D803,279 S *	11/2017	Cho	D15/89
D806,763 S *	1/2018	Cho	D15/86
D807,410 S *	1/2018	Cho	D15/86
D814,533 S *	4/2018	Kim	D15/85
D815,670 S *	4/2018	Terabe	D15/135
D880,544 S *	4/2020	Kim	D15/91
D891,489 S *	7/2020	Kim	D15/90
D900,587 S *	11/2020	Clements	D8/316
D905,767 S *	12/2020	Lee	D15/89

FOREIGN PATENT DOCUMENTS

CN	304998538	1/2019
KR	300844973	3/2016
KR	300980040	11/2018

* cited by examiner

FIG. 1

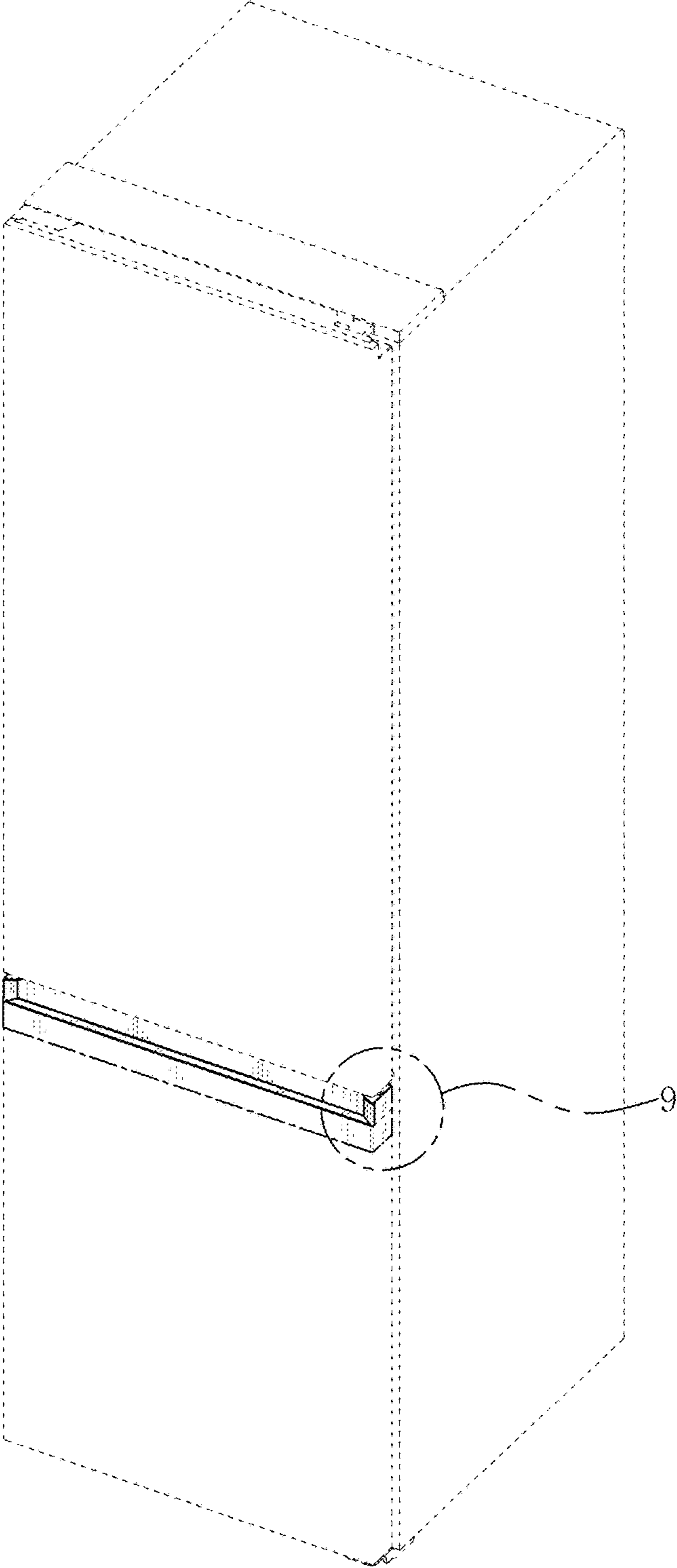


FIG. 2

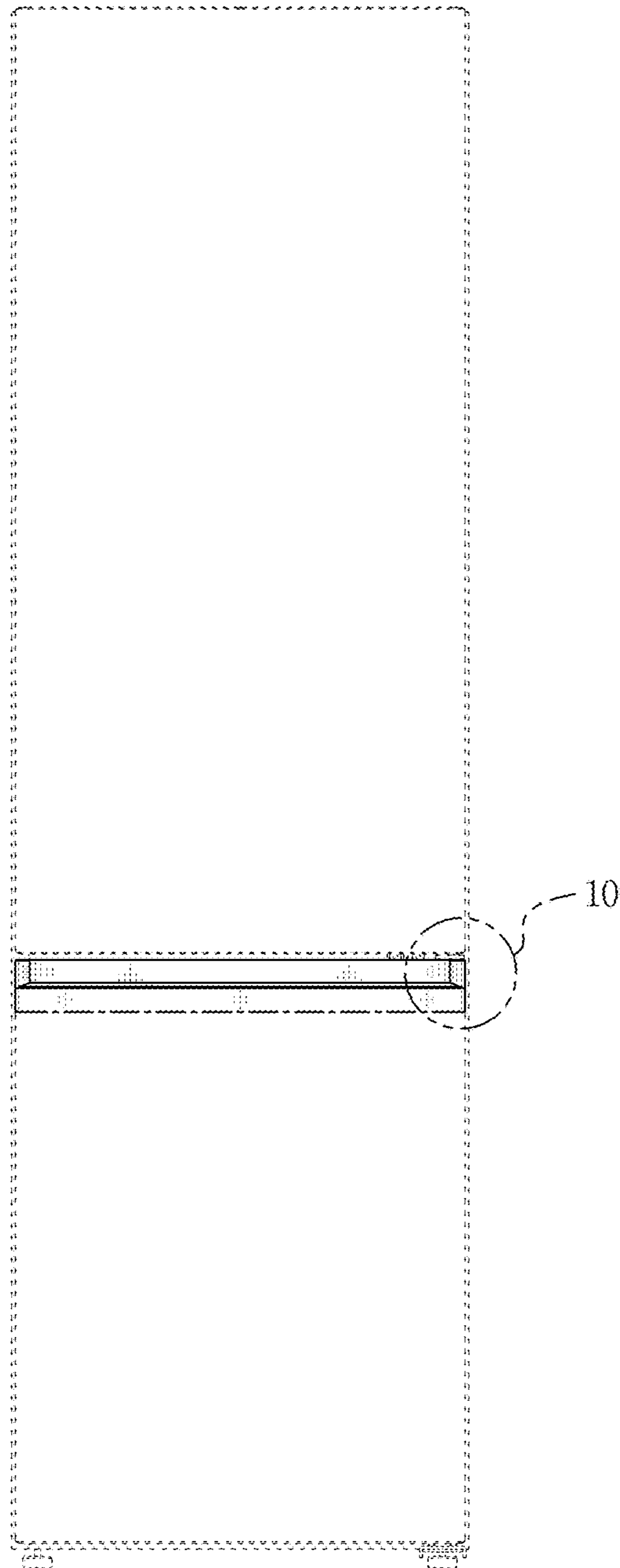


FIG. 3

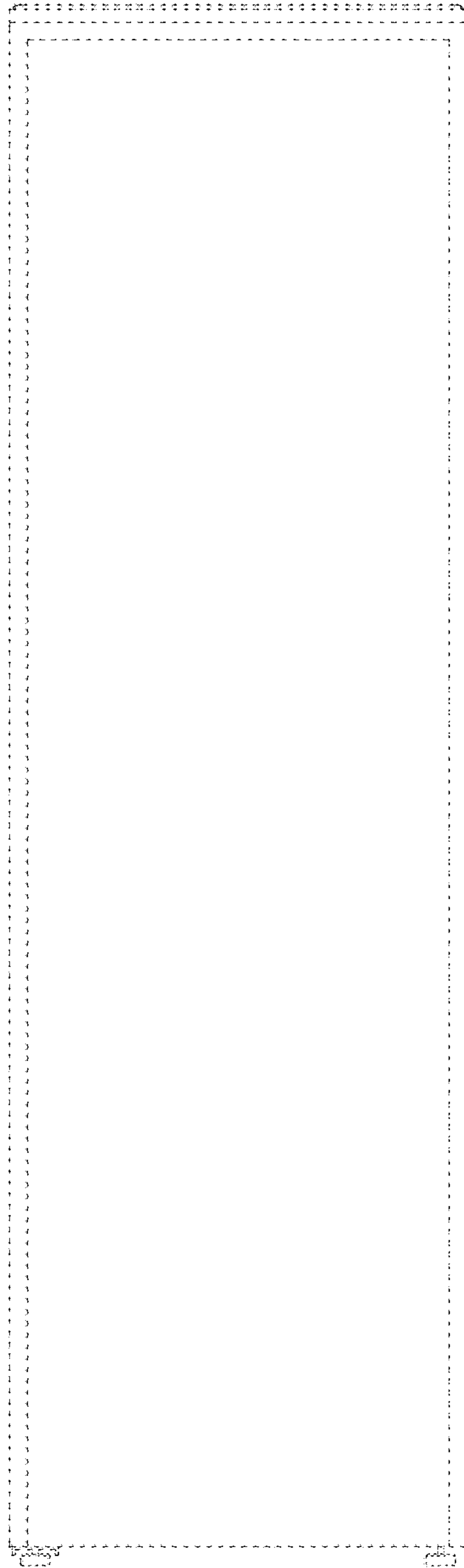


FIG. 4

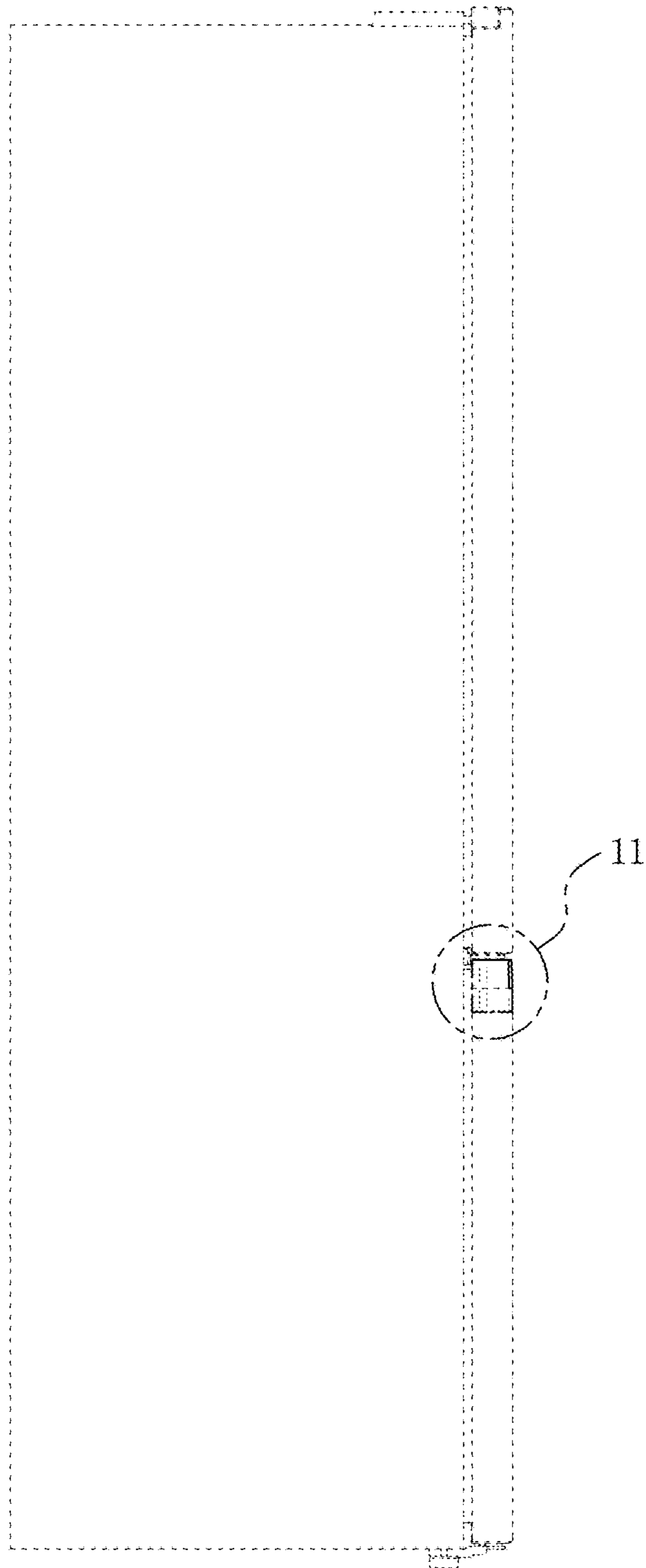


FIG. 5

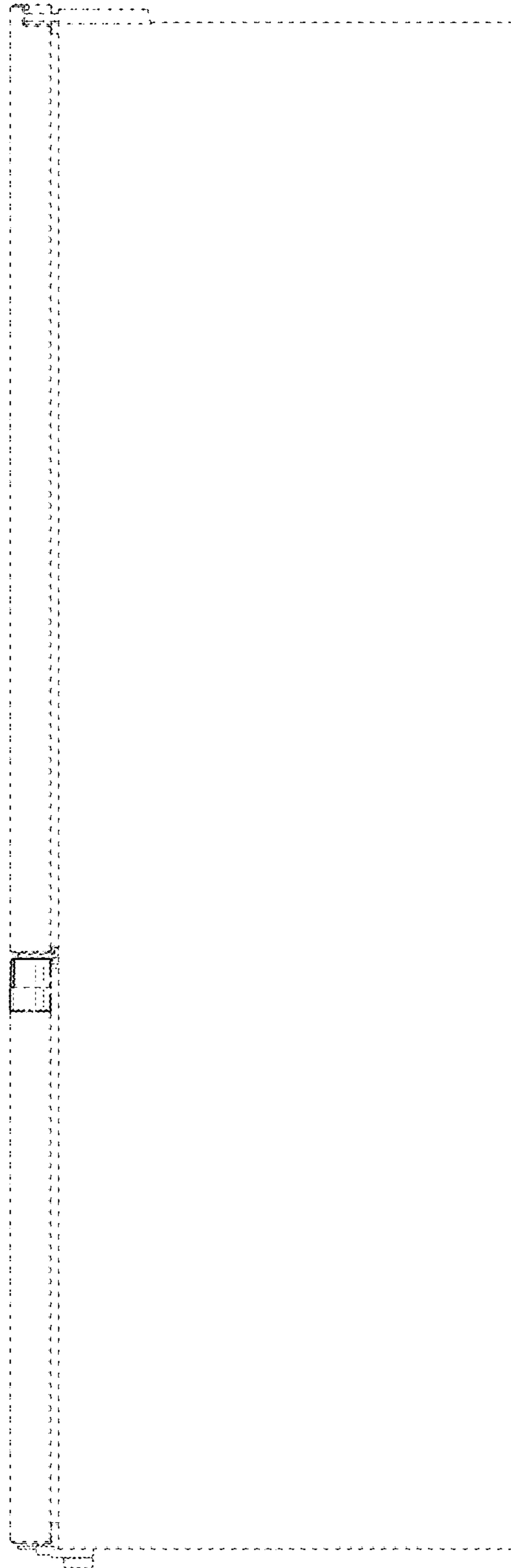


FIG. 6



FIG. 7

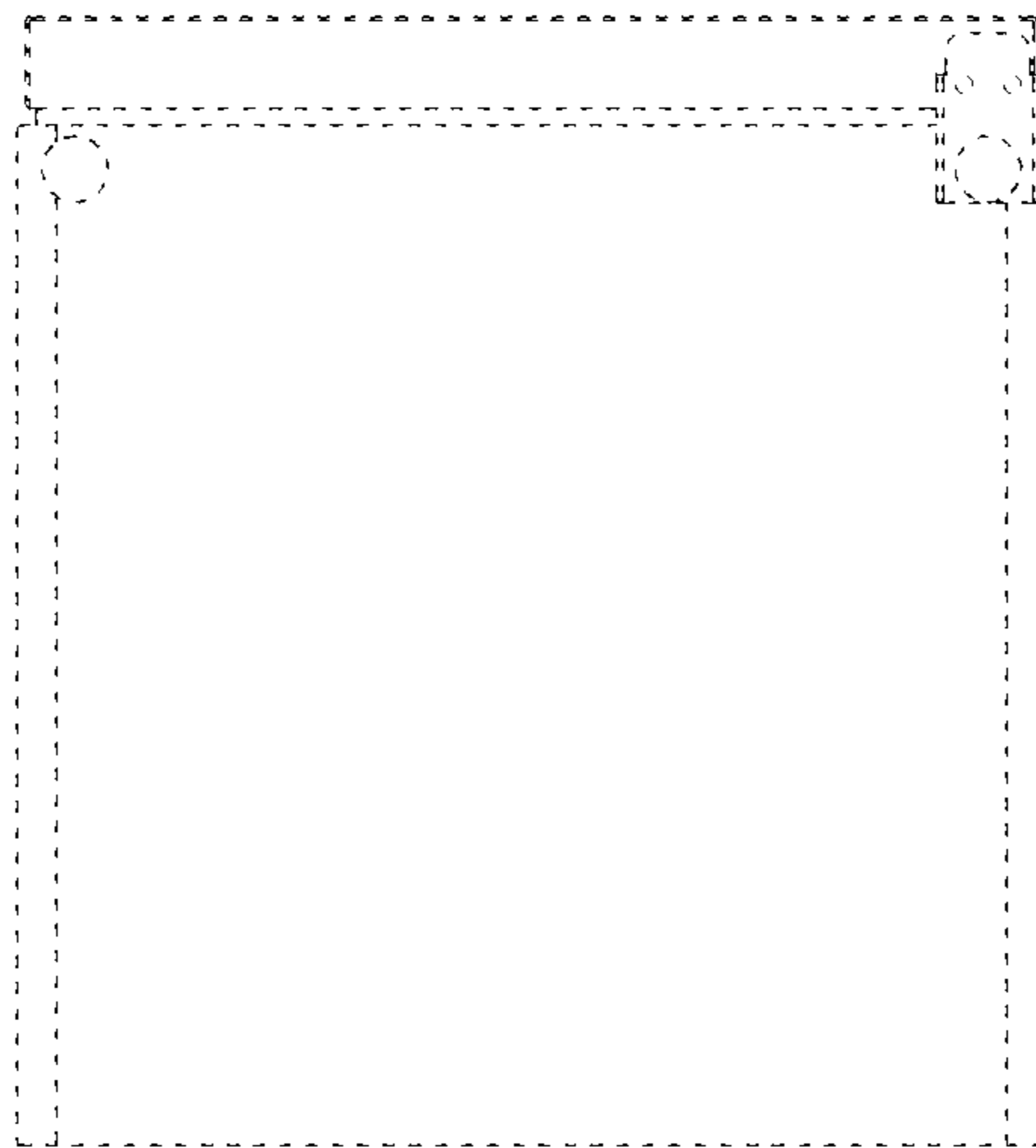


FIG. 8

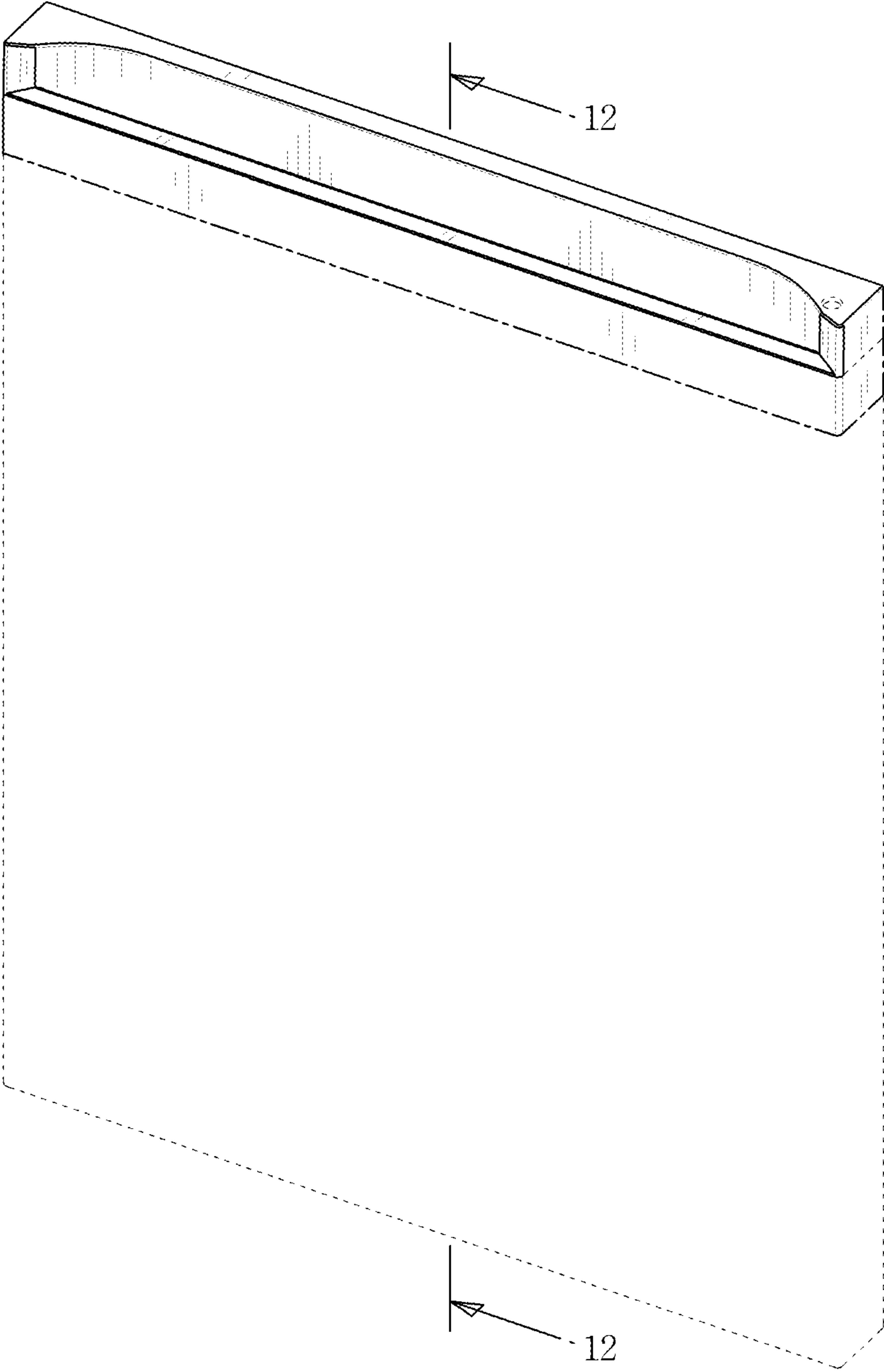


FIG. 9

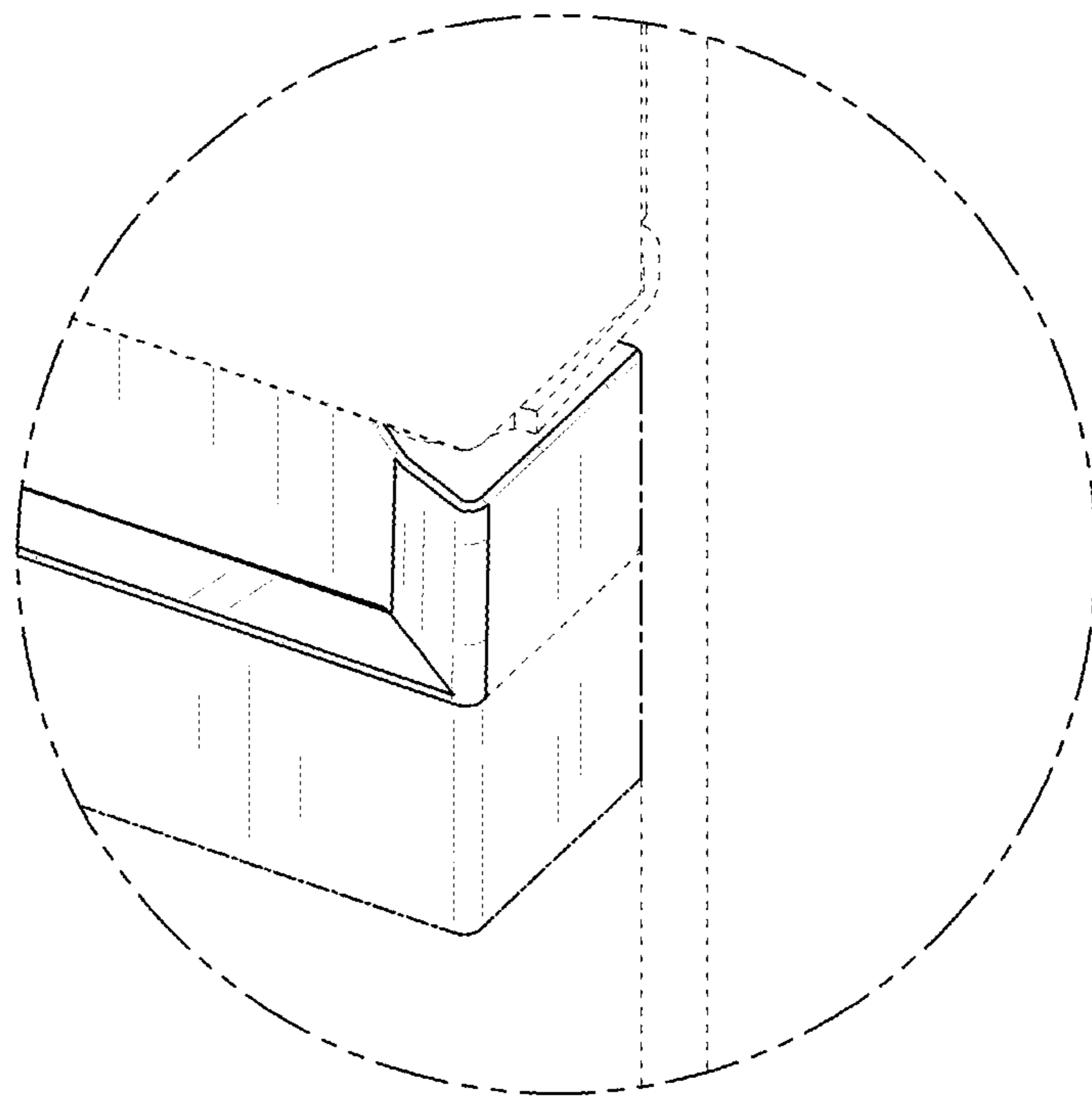


FIG. 10

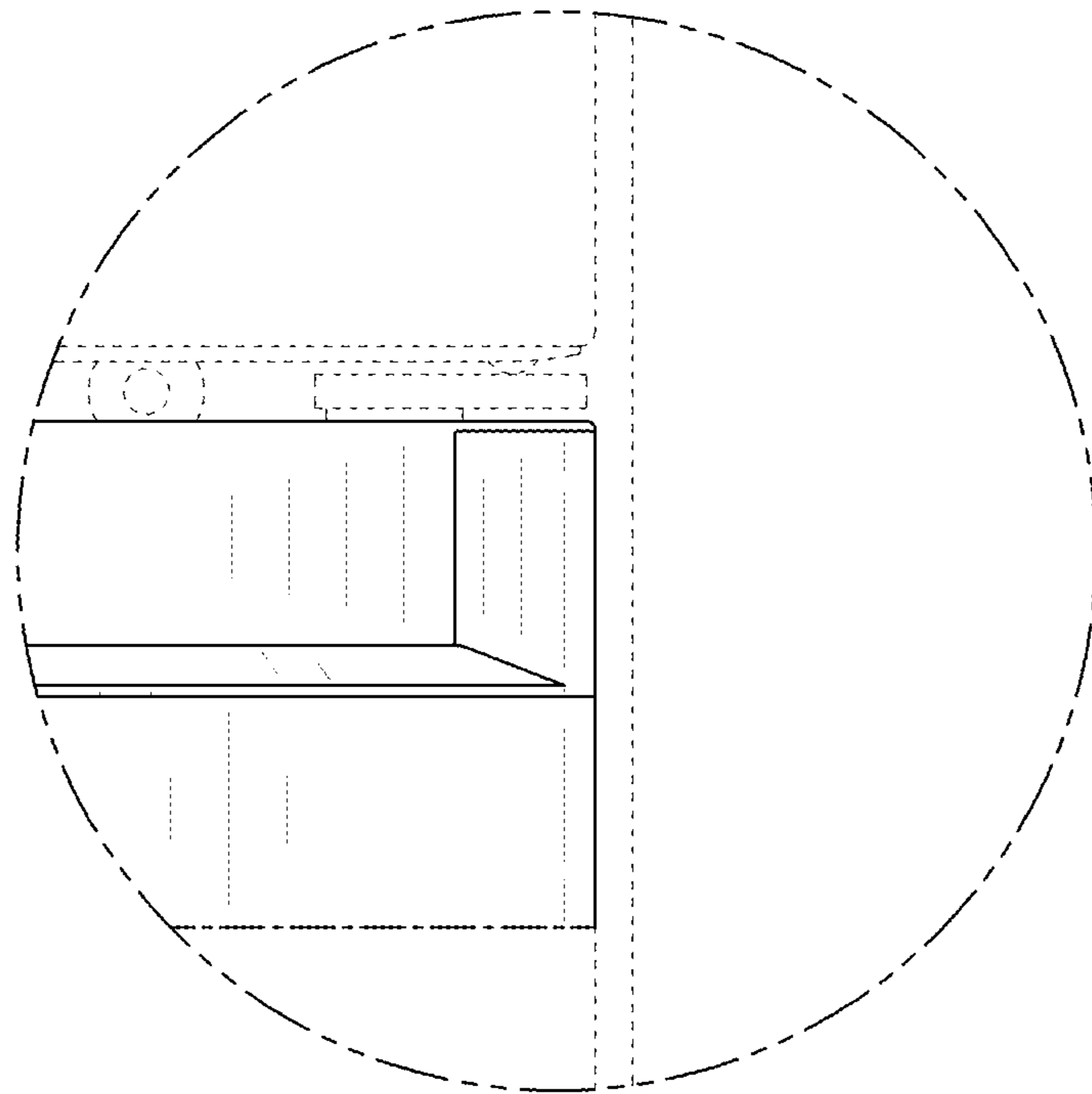


FIG. 11

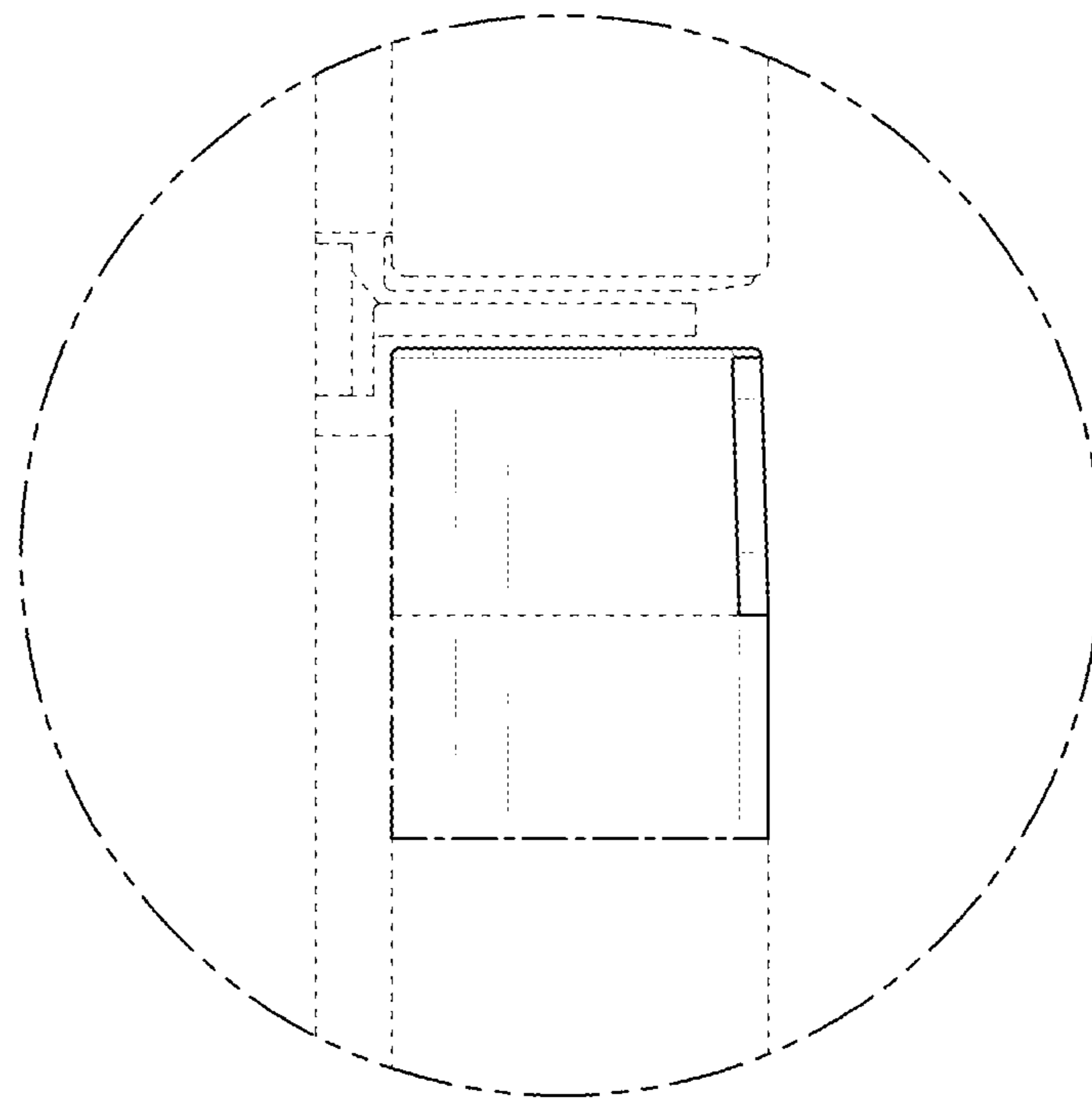


FIG. 12

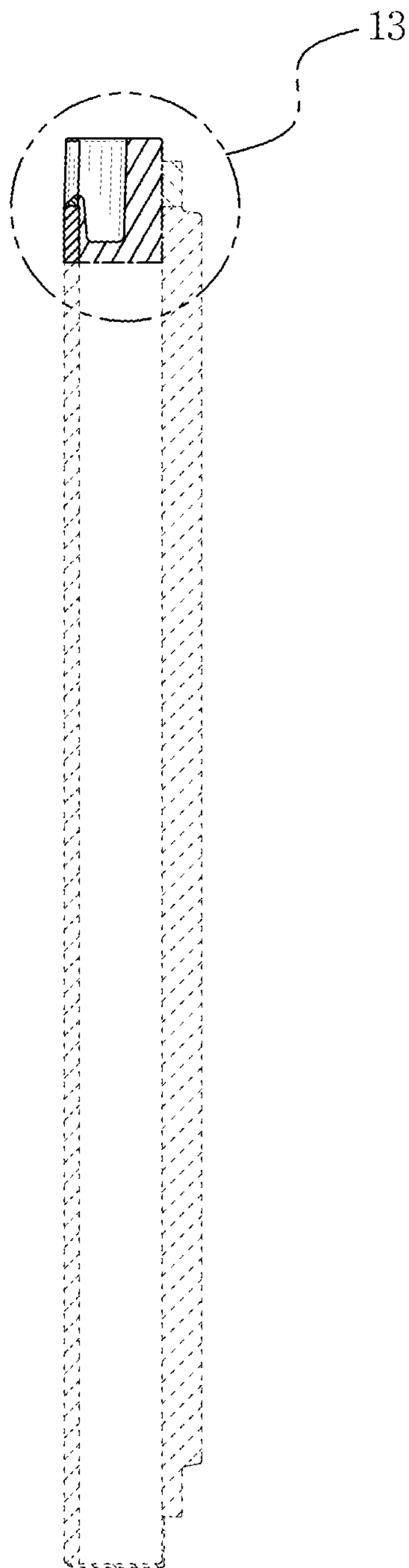


FIG. 13

