



US00D921064S

(12) **United States Design Patent** (10) **Patent No.:** **US D921,064 S**  
**Lee et al.** (45) **Date of Patent:** **\*\* Jun. 1, 2021**

(54) **REFRIGERATOR**

(71) Applicant: **SAMSUNG ELECTRONICS CO., LTD.**, Suwon-si (KR)

(72) Inventors: **Seonju Lee**, Suwon-si (KR);  
**Cheolwoong Seo**, Suwon-si (KR);  
**Sanghyun Lee**, Suwon-si (KR)

(73) Assignee: **SAMSUNG ELECTRONICS CO., LTD.**, Gyeonggi-do (KR)

(\*\*) Term: **15 Years**

(21) Appl. No.: **29/724,171**

(22) Filed: **Feb. 13, 2020**

(30) **Foreign Application Priority Data**

Sep. 4, 2019 (KR) ..... 30-2019-0042721

(51) **LOC (13) Cl.** ..... **15-07**

(52) **U.S. Cl.**  
USPC ..... **D15/89**

(58) **Field of Classification Search**  
USPC ..... D15/79, 80, 81, 82, 83, 84, 85, 86, 87,  
D15/88, 89, 90, 91  
CPC ..... F25C 2400/10; F25D 2400/10; F25D  
2400/12; F25D 2400/14; F25D 2400/18;  
G05B 2219/2654; G09F 23/0058; Y10S  
292/71

See application file for complete search history.

(56) **References Cited**

**U.S. PATENT DOCUMENTS**

5,474,213 A \* 12/1995 Unger ..... F25C 5/22  
222/108  
D568,911 S \* 5/2008 Jeon ..... D15/89  
D569,399 S \* 5/2008 Crookshanks ..... D15/89  
D569,400 S \* 5/2008 Crookshanks ..... D15/91  
D691,644 S \* 10/2013 Cho ..... D15/86

D696,700 S \* 12/2013 Seo ..... D15/86  
D709,106 S \* 7/2014 Jeon ..... D15/89  
D710,403 S \* 8/2014 Seo ..... D15/89  
D711,942 S \* 8/2014 Jeon ..... D15/89  
D714,361 S \* 9/2014 Seo ..... D15/86  
D714,842 S \* 10/2014 Jeon ..... D15/89  
D714,847 S \* 10/2014 Broen ..... D15/89  
D715,336 S \* 10/2014 Sin ..... D15/89  
D727,378 S \* 4/2015 Jeon ..... D15/89  
D734,373 S \* 7/2015 Hwang ..... D15/86  
D735,252 S \* 7/2015 Lee ..... D15/89

(Continued)

**FOREIGN PATENT DOCUMENTS**

CN 304986700 S 1/2019  
CN 304986705 S 1/2019

(Continued)

*Primary Examiner* — Mojtaba Tehrani

(74) *Attorney, Agent, or Firm* — Cantor Colburn LLP

(57) **CLAIM**

The ornamental design for a refrigerator, as shown and described.

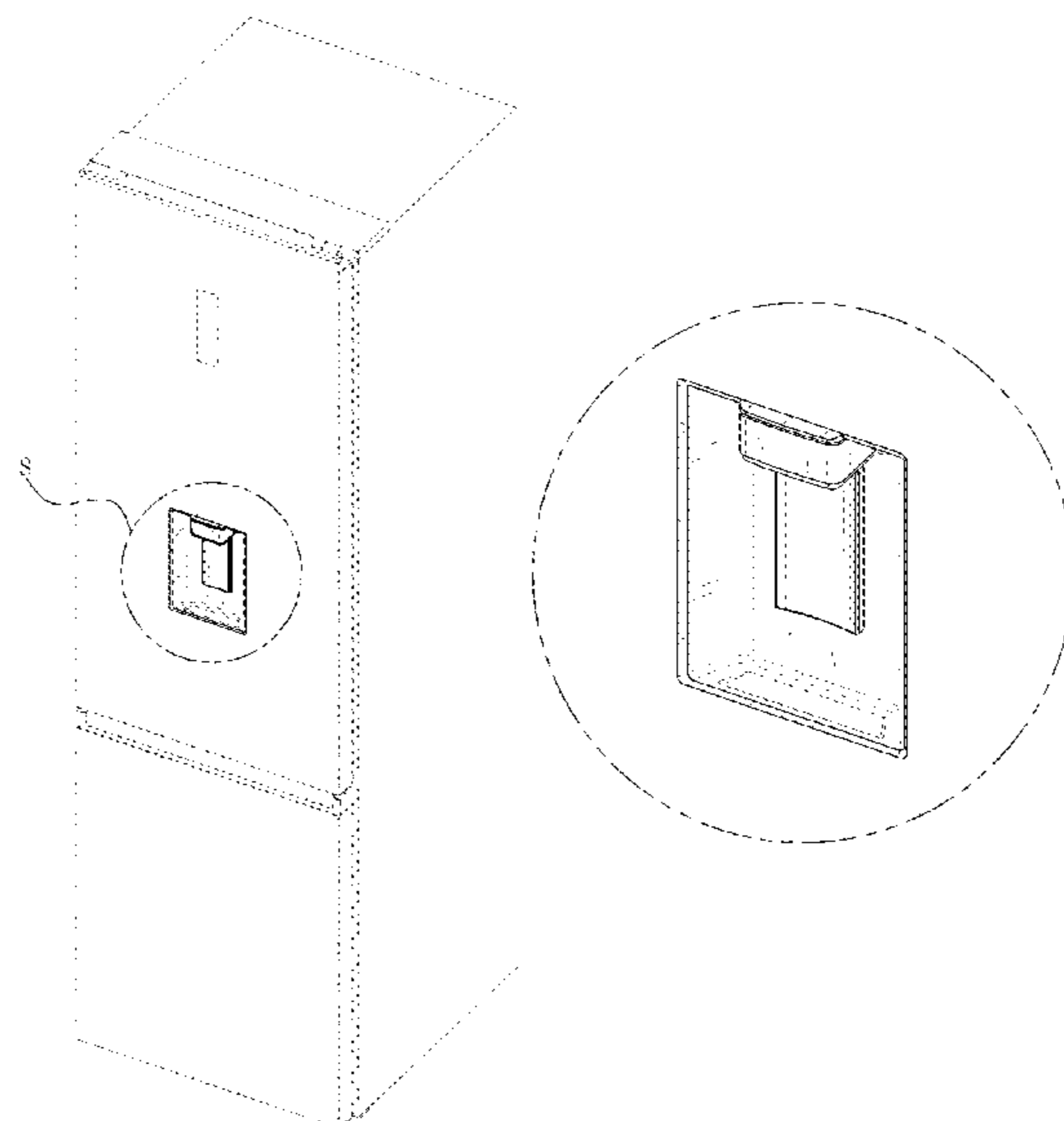
**DESCRIPTION**

FIG. 1 is a perspective view of a refrigerator, showing our new design;  
FIG. 2 is a front view thereof;  
FIG. 3 is a rear view thereof;  
FIG. 4 is a left side view thereof;  
FIG. 5 is a right side view thereof;  
FIG. 6 is a top view thereof;  
FIG. 7 is a bottom view thereof; and,  
FIG. 8 is an enlarged view of the encircled portion 8 of FIG. 1.

The broken lines illustrating portions of the Refrigerator form no part of the claimed design.

The dot-dot-dash broken lines encircling enlargement portions of the design form no part of the claimed design.

**1 Claim, 8 Drawing Sheets**



(56)

**References Cited**

U.S. PATENT DOCUMENTS

D748,688	S	*	2/2016	Sherman	.....	D15/80
D759,131	S	*	6/2016	Ogg	.....	D15/89
D761,886	S	*	7/2016	Seo	.....	D15/89
D761,887	S	*	7/2016	Seo	.....	D15/89
D761,888	S	*	7/2016	Seo	.....	D15/89
D761,889	S	*	7/2016	Seo	.....	D15/89
D761,890	S	*	7/2016	Seo	.....	D15/89
D761,891	S	*	7/2016	Seo	.....	D15/89
D762,251	S	*	7/2016	Seo	.....	D15/89
D763,329	S	*	8/2016	Seo	.....	D15/89
D768,213	S	*	10/2016	Lee	.....	D15/89
D771,159	S	*	11/2016	Jeon	.....	D15/89
D781,934	S	*	3/2017	Shrader	.....	D15/85
D791,199	S	*	7/2017	Kim	.....	D15/86
D794,092	S	*	8/2017	Lee	.....	D15/89
D807,411	S	*	1/2018	Lee	.....	D15/89
D820,887	S	*	6/2018	Lee	.....	D15/88
D825,623	S	*	8/2018	Jeon	.....	D15/89
D826,997	S	*	8/2018	Lee	.....	D15/91
D826,998	S	*	8/2018	Lee	.....	D15/91
D827,683	S	*	9/2018	Jeon	.....	D15/85
D841,058	S	*	2/2019	Lee	.....	D15/86
D841,700	S	*	2/2019	Lee	.....	D15/91
D861,743	S	*	10/2019	Lee	.....	D15/91
D888,113	S	*	6/2020	Ogg	.....	D15/89

FOREIGN PATENT DOCUMENTS

CN	305189086	S	5/2019
KR	300482929	S	3/2008
KR	300696131	S	6/2013

\* cited by examiner

FIG. 1

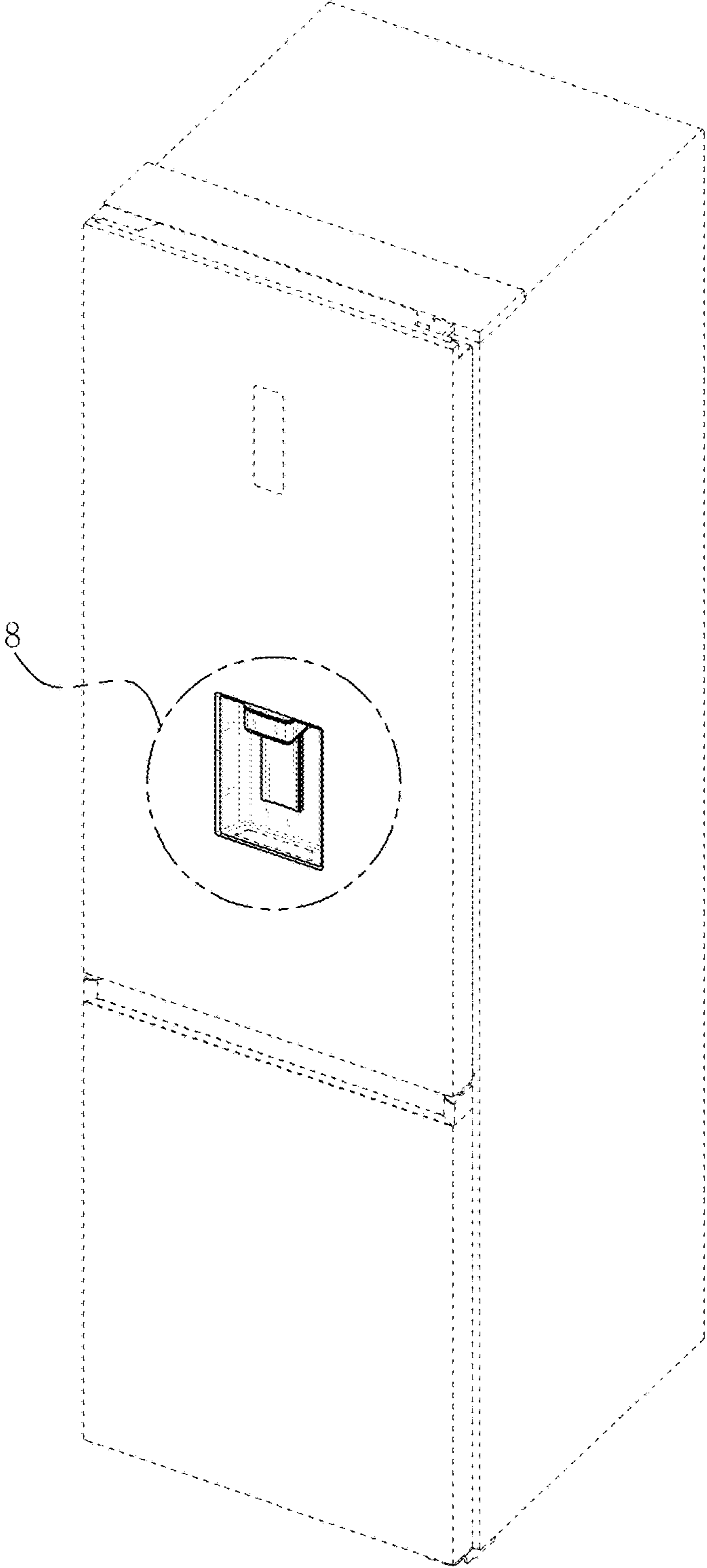


FIG. 2

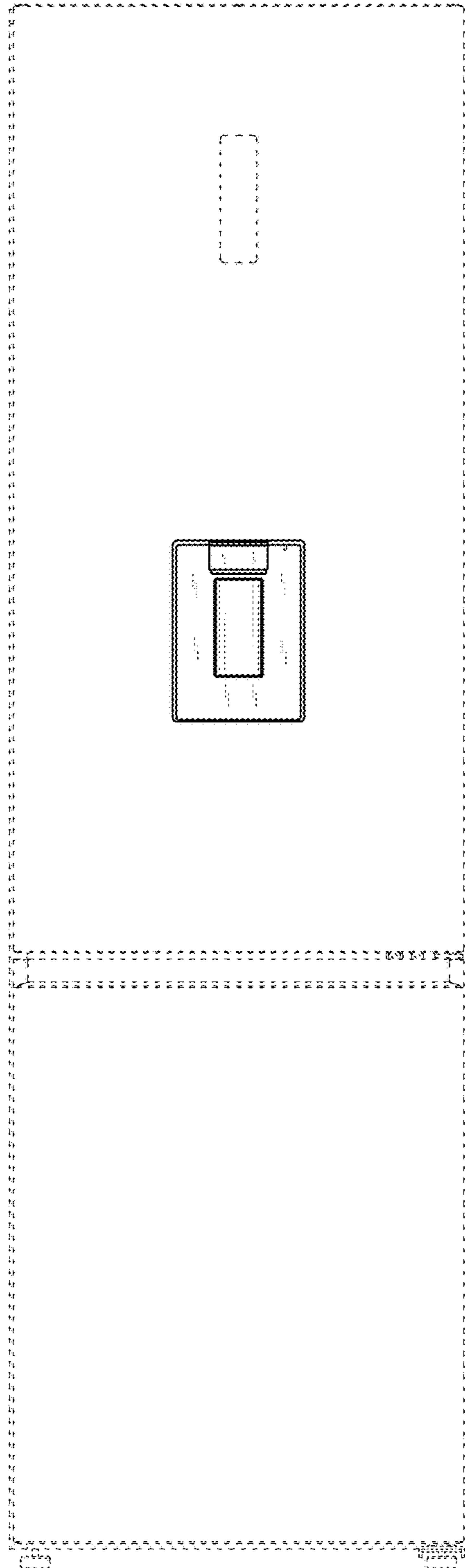


FIG. 3

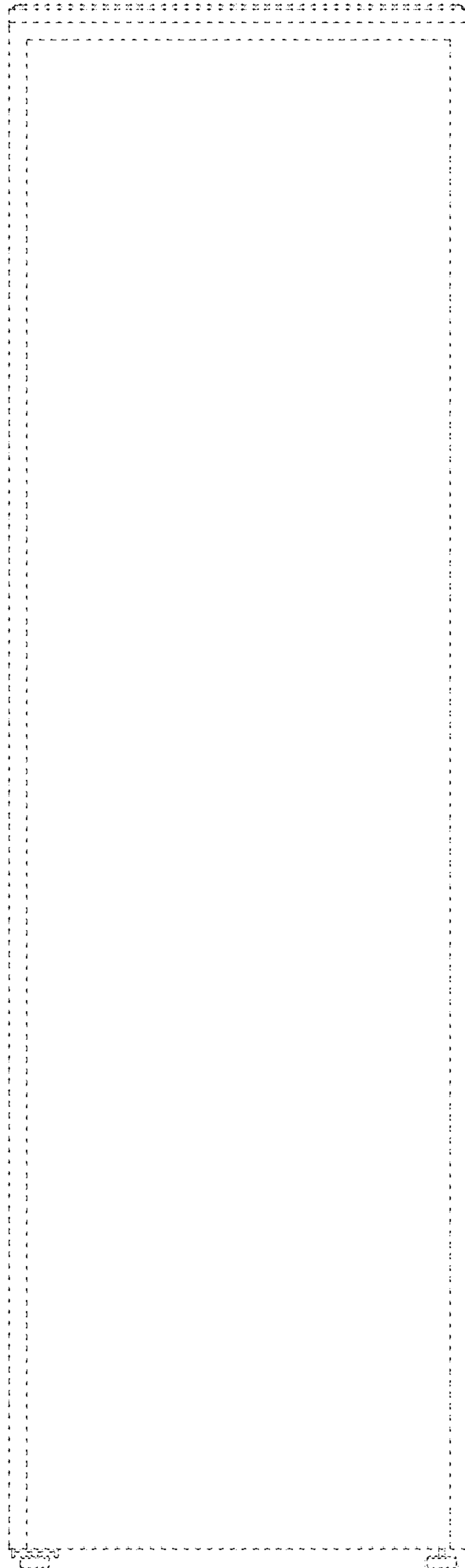


FIG. 4

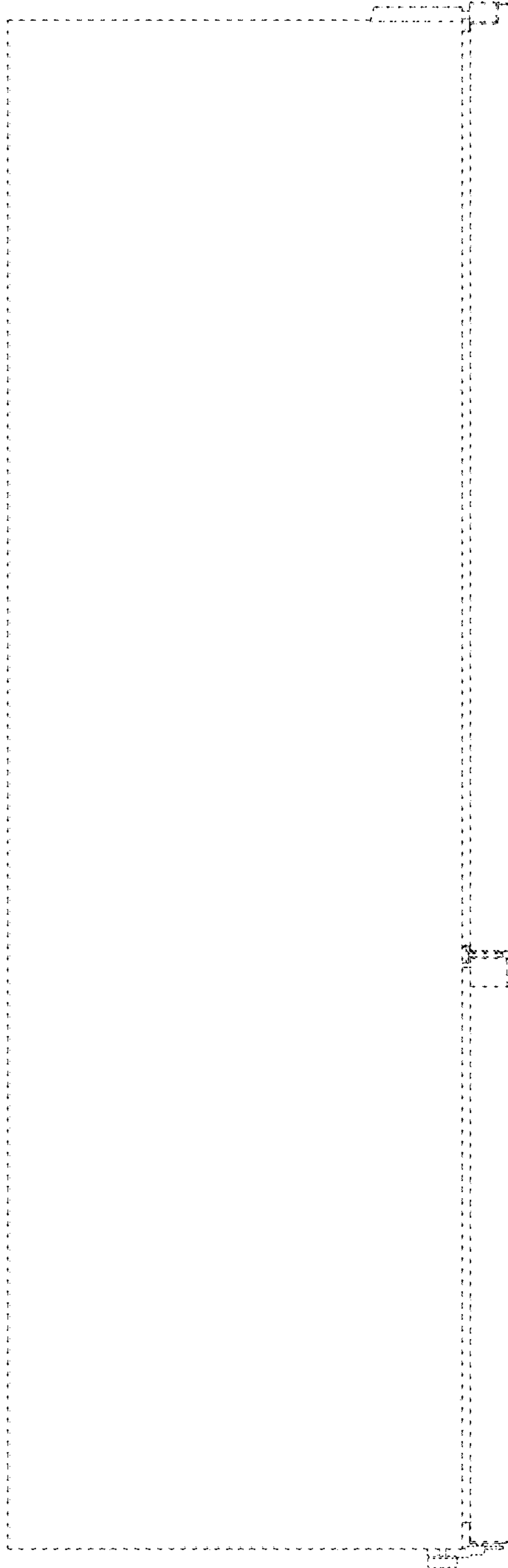


FIG. 5

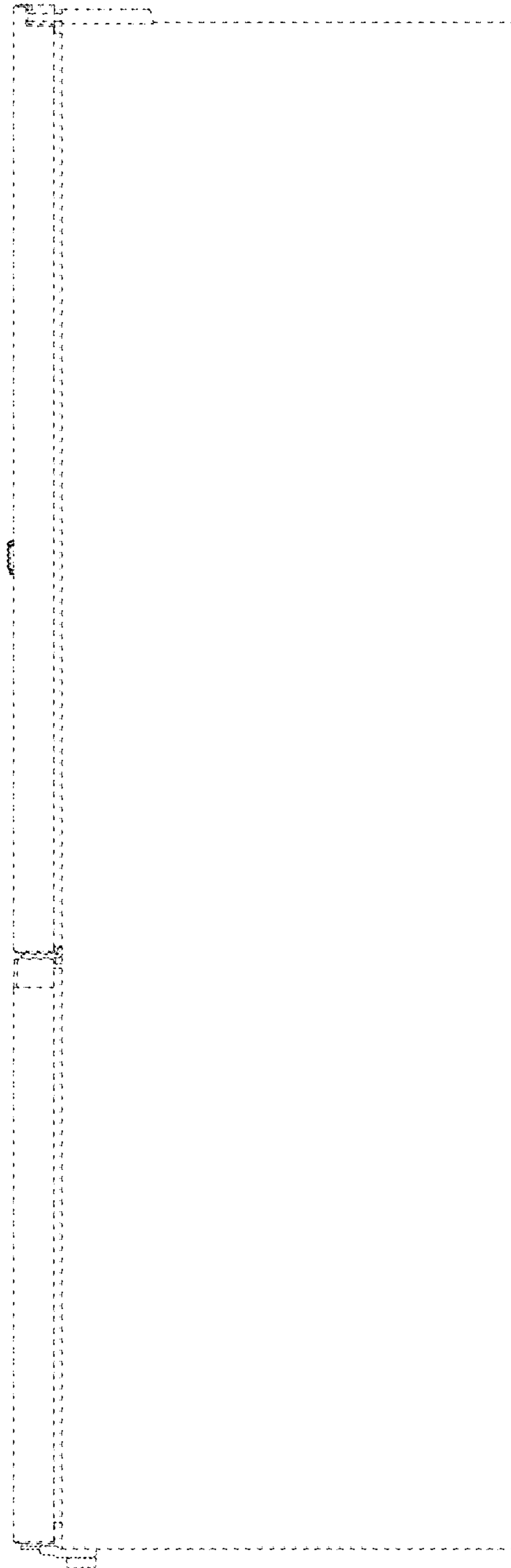


FIG. 6

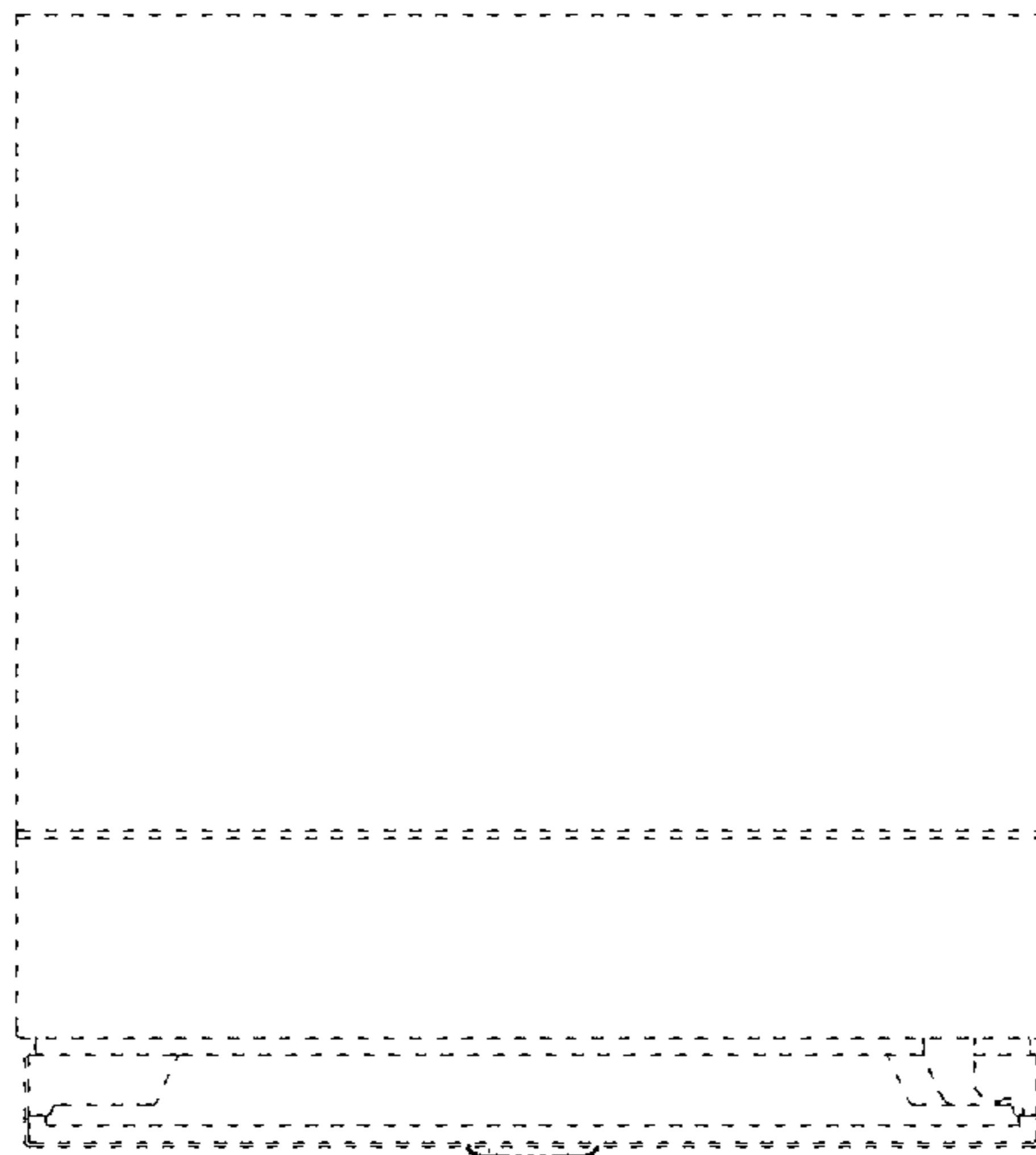




FIG. 7

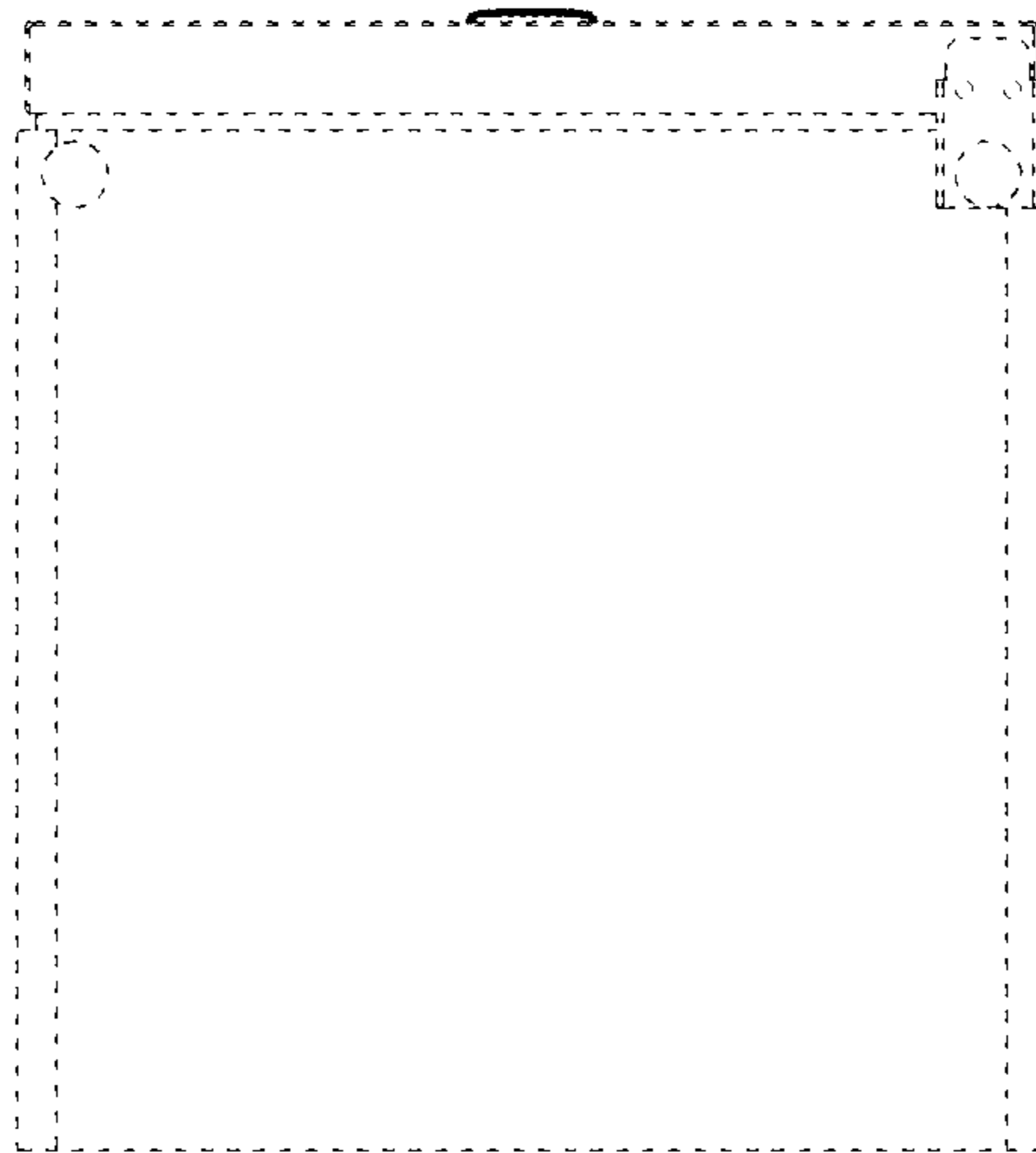


FIG. 8

