

US00D921063S

(12) **United States Design Patent** (10) **Patent No.:** **US D921,063 S**
Lee et al. (45) **Date of Patent:** **** Jun. 1, 2021**

(54) **HANDLE FOR REFRIGERATOR**
(71) Applicant: **SAMSUNG ELECTRONICS CO., LTD.**, Suwon-si (KR)
(72) Inventors: **Hyunil Lee**, Suwon-si (KR); **Jaemin Lee**, Suwon-si (KR); **Cheolwoong Seo**, Suwon-si (KR); **Junguk Shin**, Suwon-si (KR)

D718,605 S * 12/2014 Yang D8/315
D742,435 S * 11/2015 Kim D15/89
D745,577 S * 12/2015 Kim D15/89
D745,578 S * 12/2015 Kim D15/89
D745,579 S * 12/2015 Kim D15/89
D745,901 S * 12/2015 Kim D15/89
D746,880 S * 1/2016 Kim D15/89
D812,409 S * 3/2018 Nilssen D7/339
D826,294 S * 8/2018 Kim D15/89
D831,709 S * 10/2018 Kim D15/89
D853,218 S * 7/2019 Lee D8/315

(73) Assignee: **Samsung Electronics Co., Ltd.**, Suwon-si (KR)

(**) Term: **15 Years**

(21) Appl. No.: **29/717,808**

(22) Filed: **Dec. 19, 2019**

(30) **Foreign Application Priority Data**

Aug. 8, 2019 (KR) 30-2019-0037977

(51) **LOC (13) Cl.** **15-07**

(52) **U.S. Cl.**
USPC **D15/89**

(58) **Field of Classification Search**
USPC D15/79, 80, 81, 82, 83, 84, 85, 86, 87, D15/88, 89, 90, 91; D8/315, 323, 327, D8/328, 329
CPC F25C 2400/10; F25D 2400/10; F25D 2400/12; F25D 2400/14; F25D 2400/18; G05B 2219/2654; G09F 23/0058; Y10S 292/71

See application file for complete search history.

(56) **References Cited**

U.S. PATENT DOCUMENTS

D561,787 S * 2/2008 Choi D15/89
D685,011 S * 6/2013 Meda D15/89
D685,013 S * 6/2013 Meda D15/89

OTHER PUBLICATIONS

“Dometic Black RH Freezer or LH Refrigerator Door Handle Kit” [online], dyersonline.com. [Retrieved on Jan. 30, 2021], Retrieved from the Internet: <<https://www.dyersonline.com/dometic-black-rh-freezer-or-lh-refrigerator-door-handle-kit.html>>.*

* cited by examiner

Primary Examiner — Mojtaba Tehrani

(74) *Attorney, Agent, or Firm* — NSIP Law

(57) **CLAIM**

We claim the ornamental design for a handle for refrigerator, as shown and described.

DESCRIPTION

FIG. 1 is a front perspective view of a handle for refrigerator showing our new design;
FIG. 2 is a front view thereof;
FIG. 3 is a rear view thereof;
FIG. 4 is a left-side view thereof;
FIG. 5 is a right-side view thereof;
FIG. 6 is a top view thereof;
FIG. 7 is a bottom view thereof; and,
FIG. 8 is a rear perspective view thereof.
The broken lines in the figures depict portions of the handle for refrigerator which form no part of the claimed design.

1 Claim, 6 Drawing Sheets

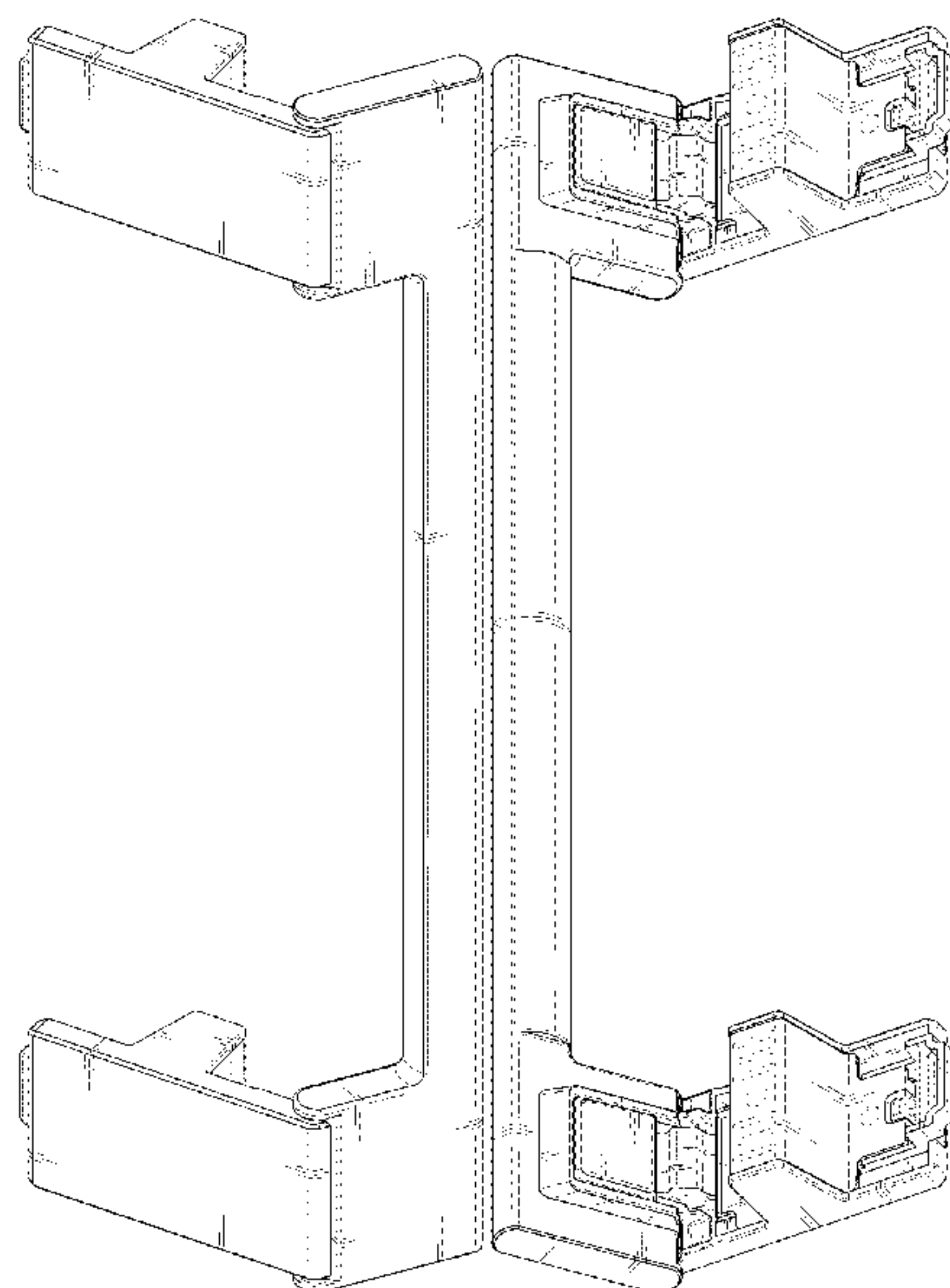


FIG. 1

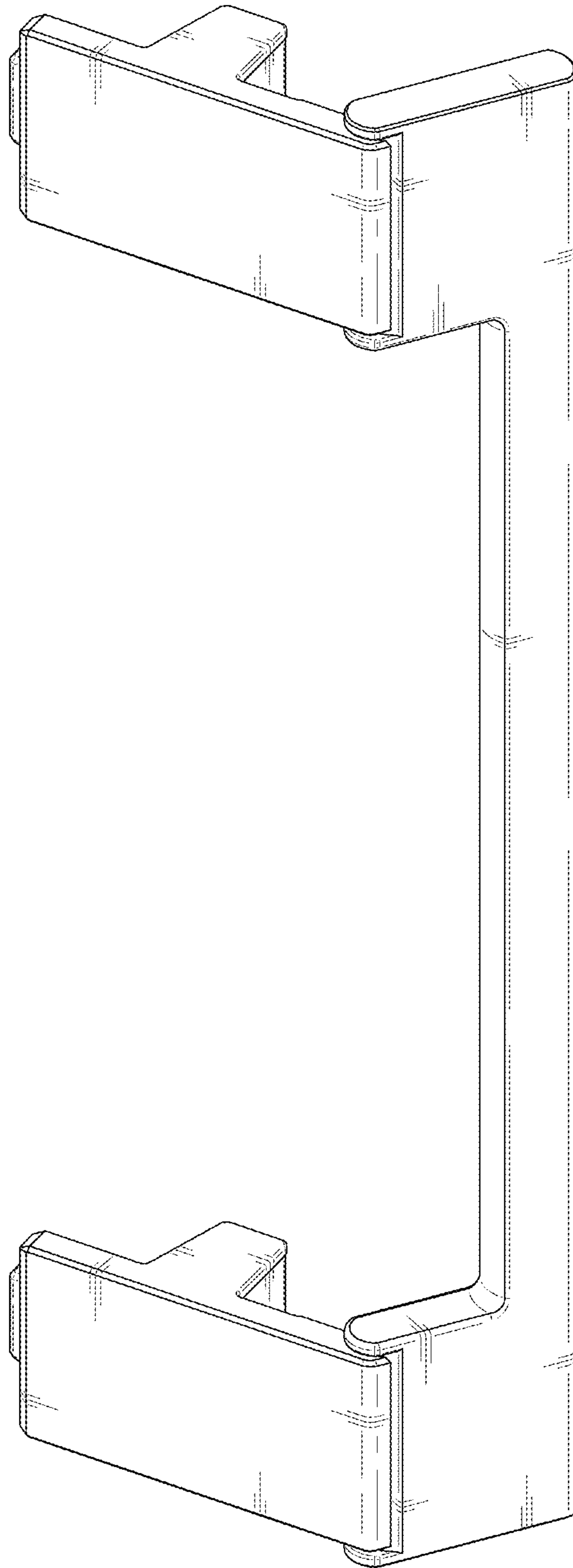


FIG. 2

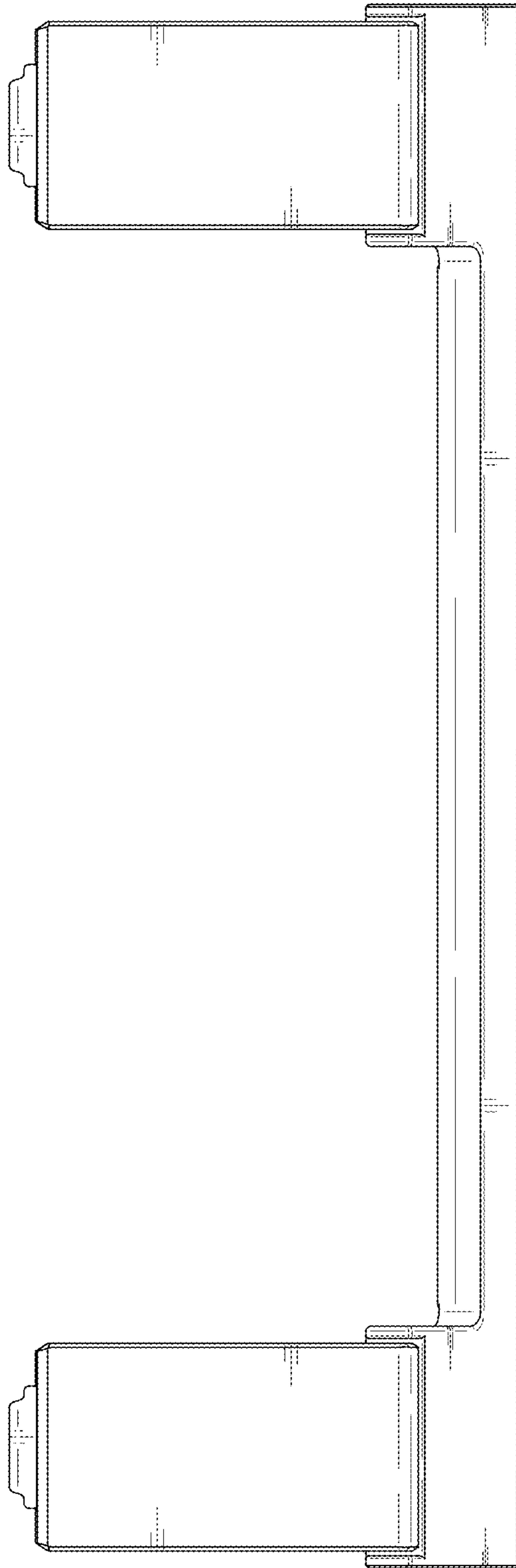


FIG. 3

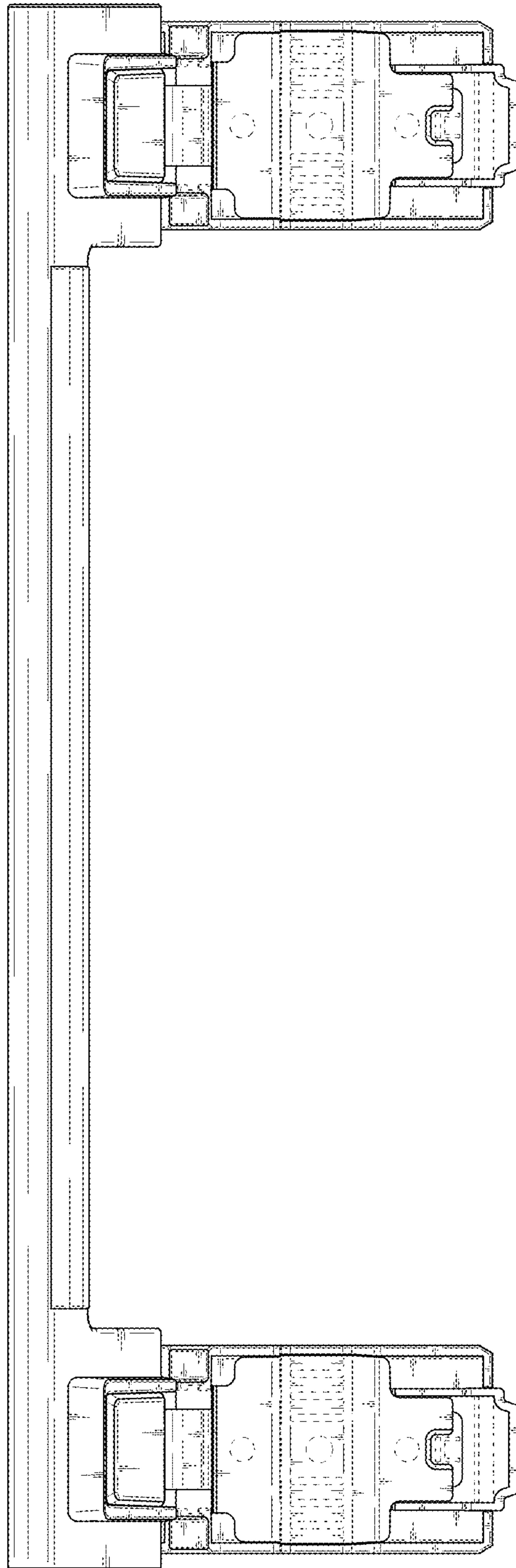


FIG. 4

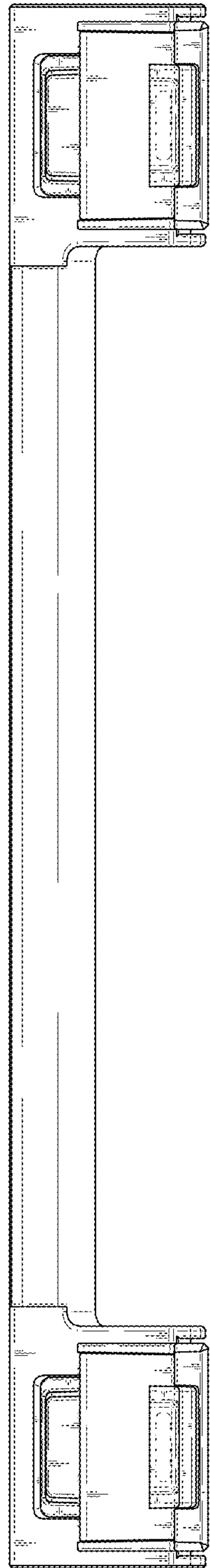


FIG. 5

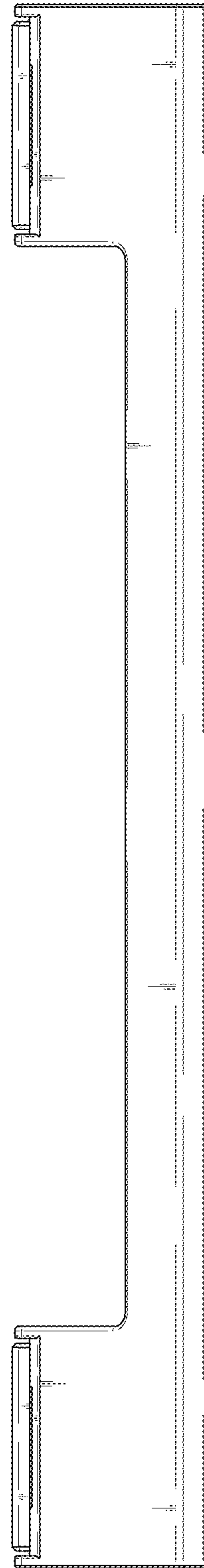


FIG. 6

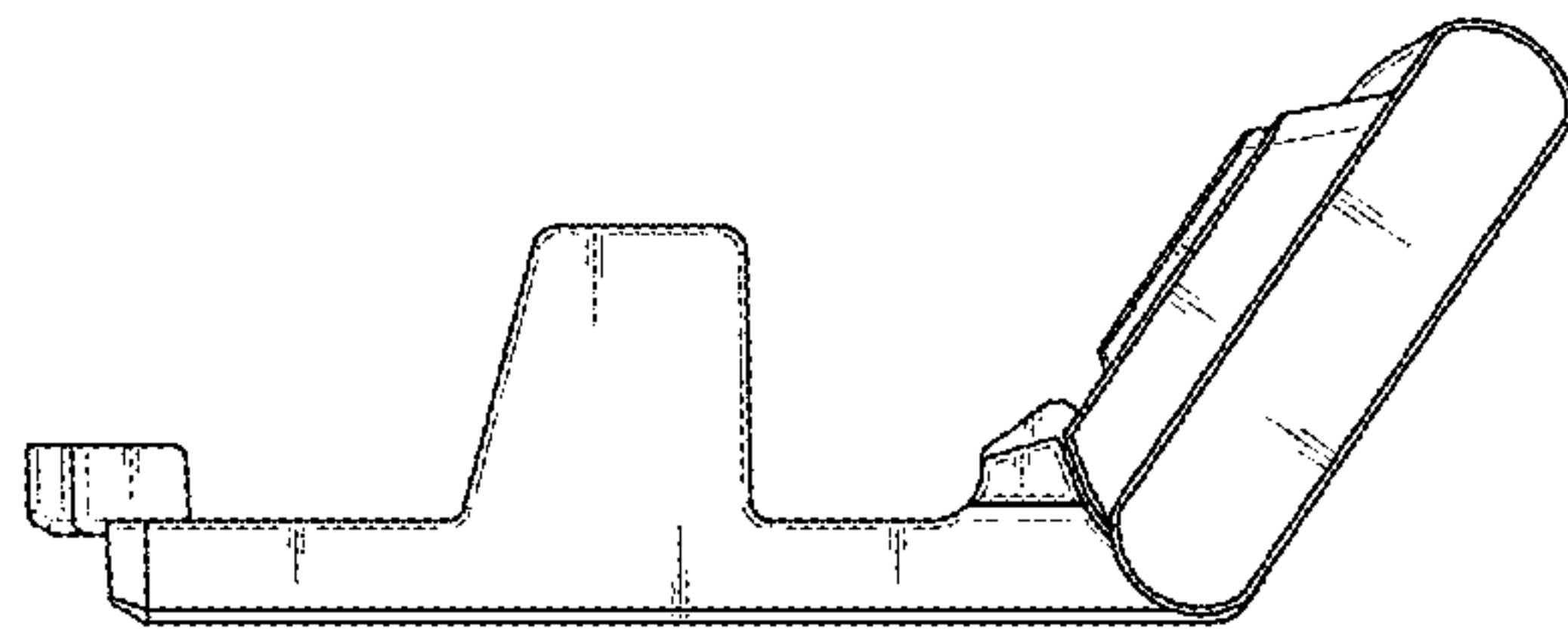


FIG. 7

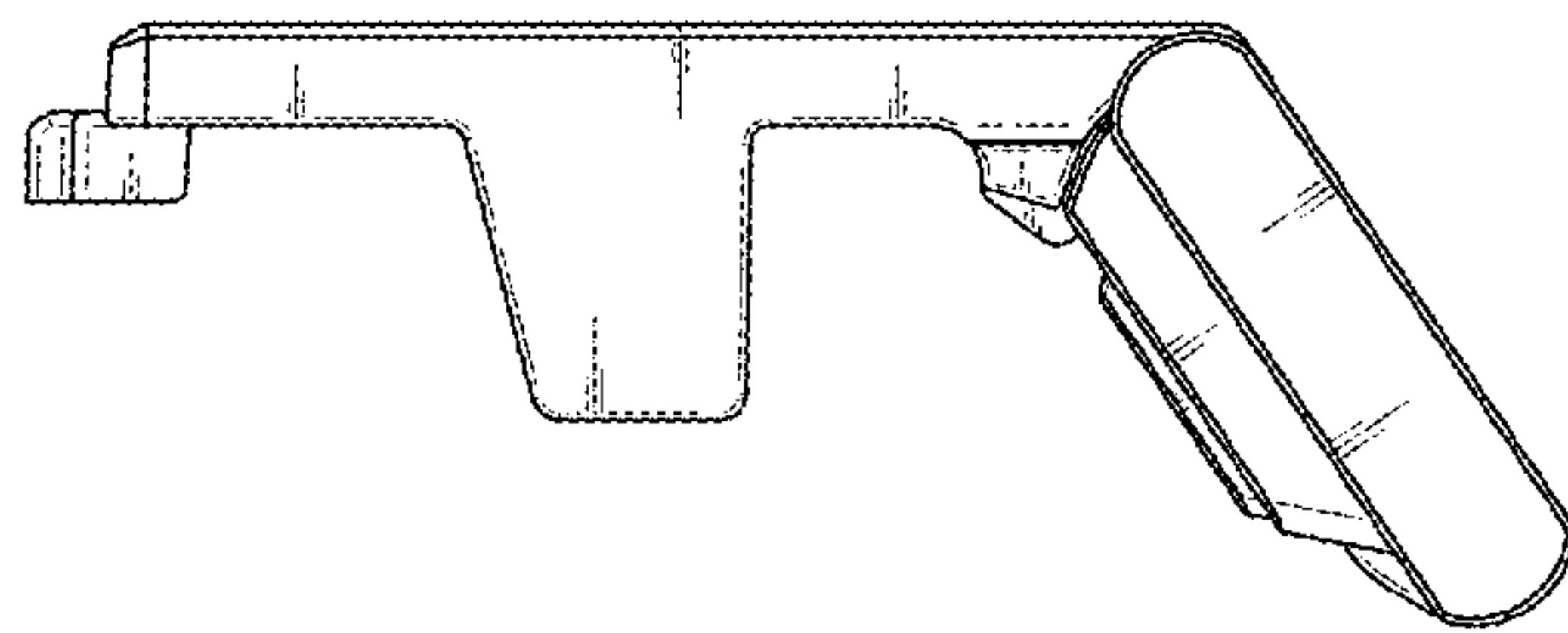


FIG. 8

