



US00D921061S

(12) **United States Design Patent**
Kim et al.

(10) **Patent No.:** **US D921,061 S**
(45) **Date of Patent:** **** Jun. 1, 2021**

(54) **MOVABLE REFRIGERATOR**

2317/0664; F25D 2321/147; F25D
2323/02; F25D 2323/023

(71) Applicant: **LG ELECTRONICS INC.**, Seoul
(KR)

See application file for complete search history.

(72) Inventors: **Jinsu Kim**, Seoul (KR); **Soonho Jung**,
Seoul (KR); **Hana Choi**, Seoul (KR);
Eunsil Mok, Seoul (KR); **Yousook**
Eun, Seoul (KR); **Taewoo Yoo**, Seoul
(KR)

(56) **References Cited**

U.S. PATENT DOCUMENTS

2,498,028	A *	2/1950	Clerc	F25D 11/022
					62/284
3,153,918	A *	10/1964	Fink	F25D 11/00
					62/297
D234,373	S *	2/1975	Gambello	D15/83
D287,133	S *	12/1986	Owen	D15/81
D290,012	S *	5/1987	Owen	D15/81
4,679,407	A *	7/1987	Kim	F25D 3/107
					62/294

(73) Assignee: **LG ELECTRONICS INC.**, Seoul
(KR)

(**) Term: **15 Years**

(Continued)

(21) Appl. No.: **35/508,244**

Primary Examiner — Richard E Chilcot

(22) Filed: **Feb. 20, 2019**

(74) *Attorney, Agent, or Firm* — Birch, Stewart, Kolasch
& Birch LLP

(80) **Hague Agreement Data**

Int. Filing Date: **Feb. 20, 2019**

Int. Reg. No.: **DM/204986**

Int. Reg. Date: **Feb. 20, 2019**

Int. Reg. Pub. Date: **Dec. 27, 2019**

(57) **CLAIM**

The ornamental design for a movable refrigerator, as shown
and described.

(51) **LOC (13) Cl.** **15-07**

(52) **U.S. Cl.**

USPC **D15/79**; D15/199

CPC **F25D 25/025** (2013.01)

(58) **Field of Classification Search**

USPC D15/79–91, 199

CPC F25D 25/025; F25D 23/028; F25D

2323/024; F25D 23/00; F25D 23/02;

F25D 2323/021; F25D 23/065; F25D

11/00; F25D 2201/14; F25D 23/021;

F25D 23/025; F25D 23/04; F25D 27/00;

F25D 23/062; F25D 23/067; F25D

2400/18; F25D 23/08; F25D 23/085;

F25D 2500/02; F25D 25/00; F25D

25/005; F25D 25/022; F25D 25/024;

F25D 17/047; F25D 2317/041; F25D

2317/04131; F25D 2317/043; F25D

DESCRIPTION

1. Movable refrigerator

1.1 : Perspective

1.2 : Front

1.3 : Back

1.4 : Left

1.5 : Right

1.6 : Top

1.7 : Bottom

1.8 : Reference

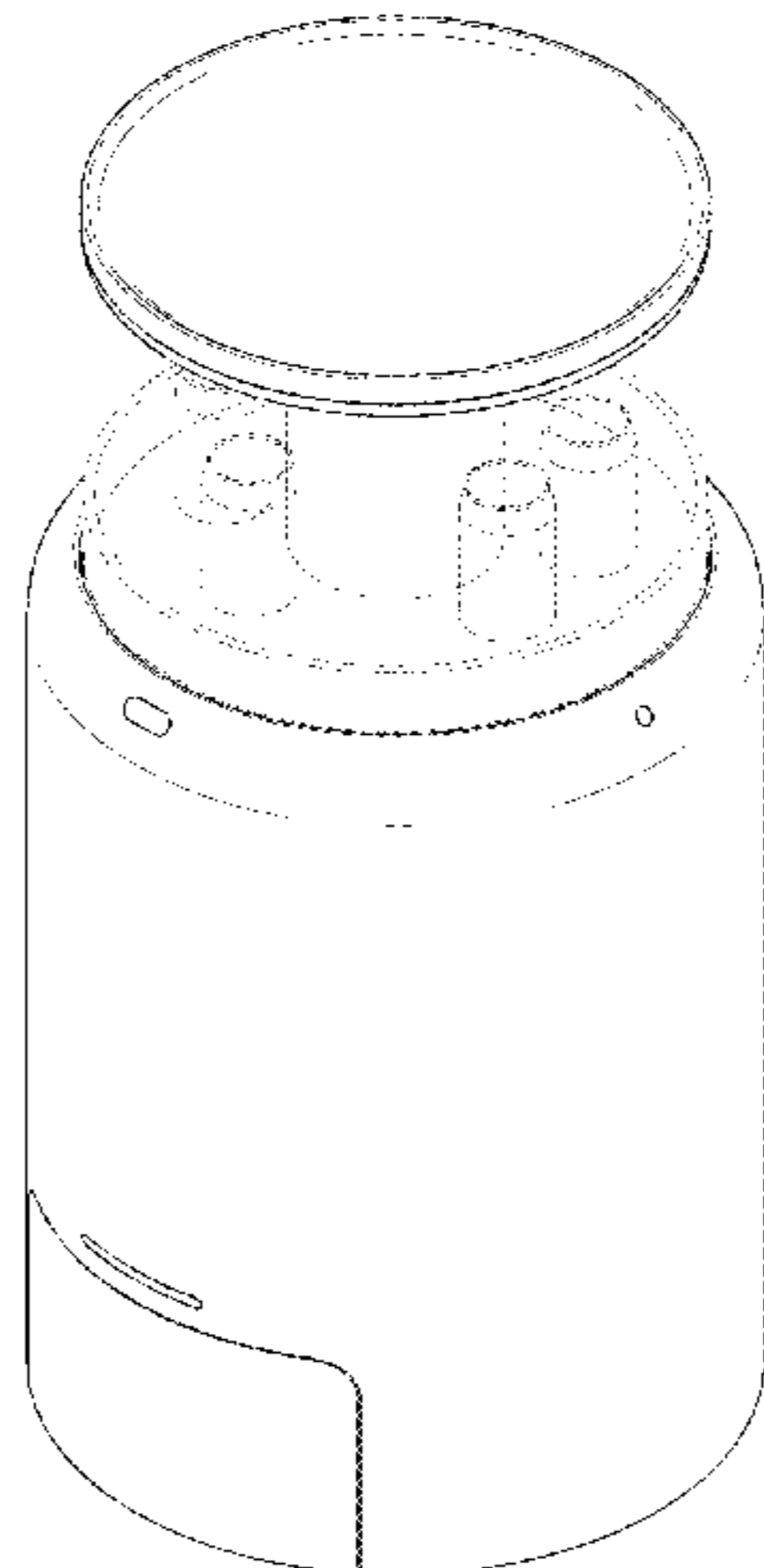
1.9 : Reference

1.10 : Reference

The broken lines shown in reproduction **1.7** indicate por-
tions of the article that form no part of the claimed design.

The broken lines shown in reproduction **1.8** indicate the
inner refrigerator when the upper door is popped up and
form no part of the claimed design. The broken line showing
of a driving robot module in reproduction **1.9** and **1.10** are

(Continued)



included for the purpose of illustrating environment of the movable refrigerator and forms no part of the claimed design.

1 Claim, 10 Drawing Sheets

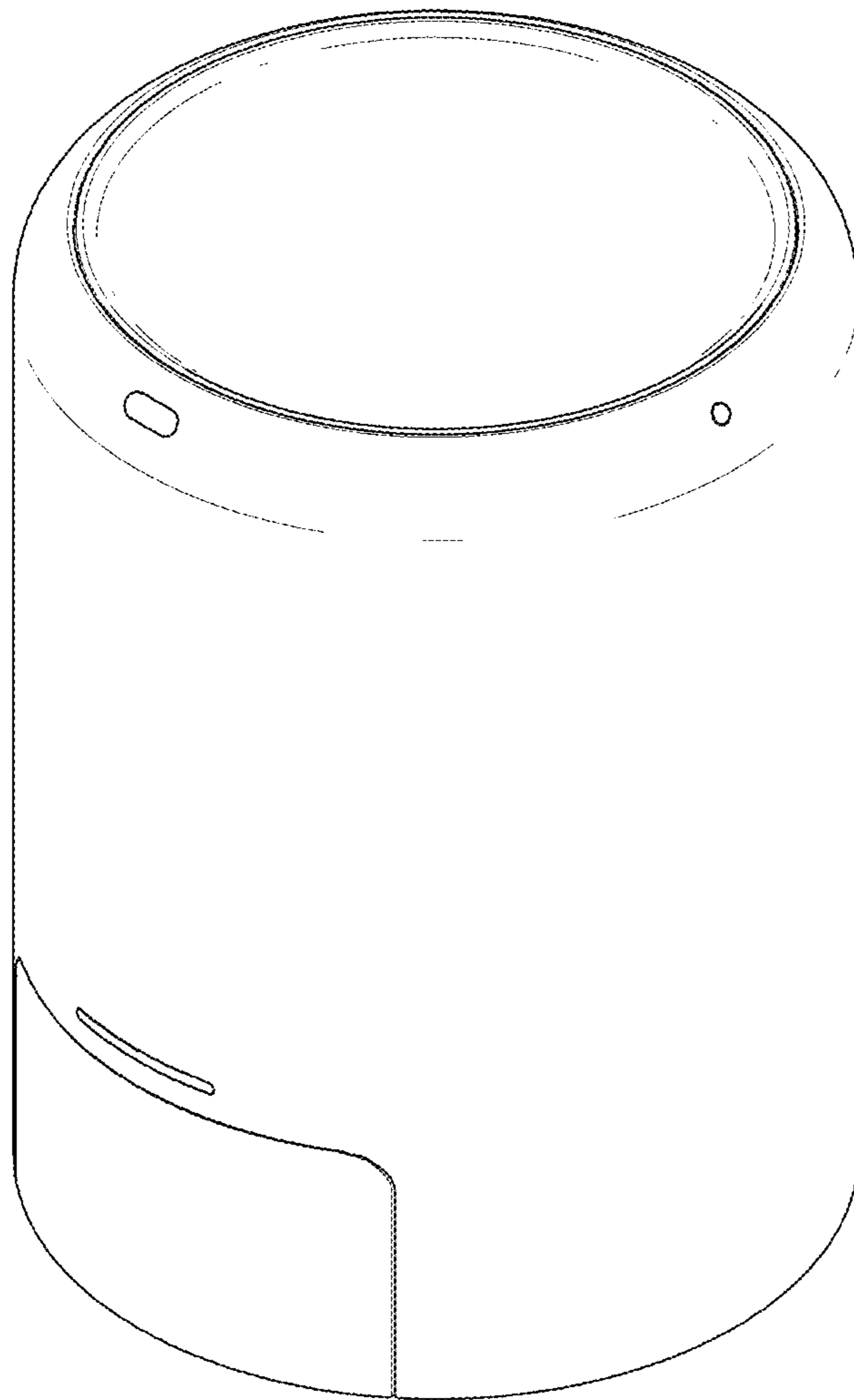
(56) **References Cited**

U.S. PATENT DOCUMENTS

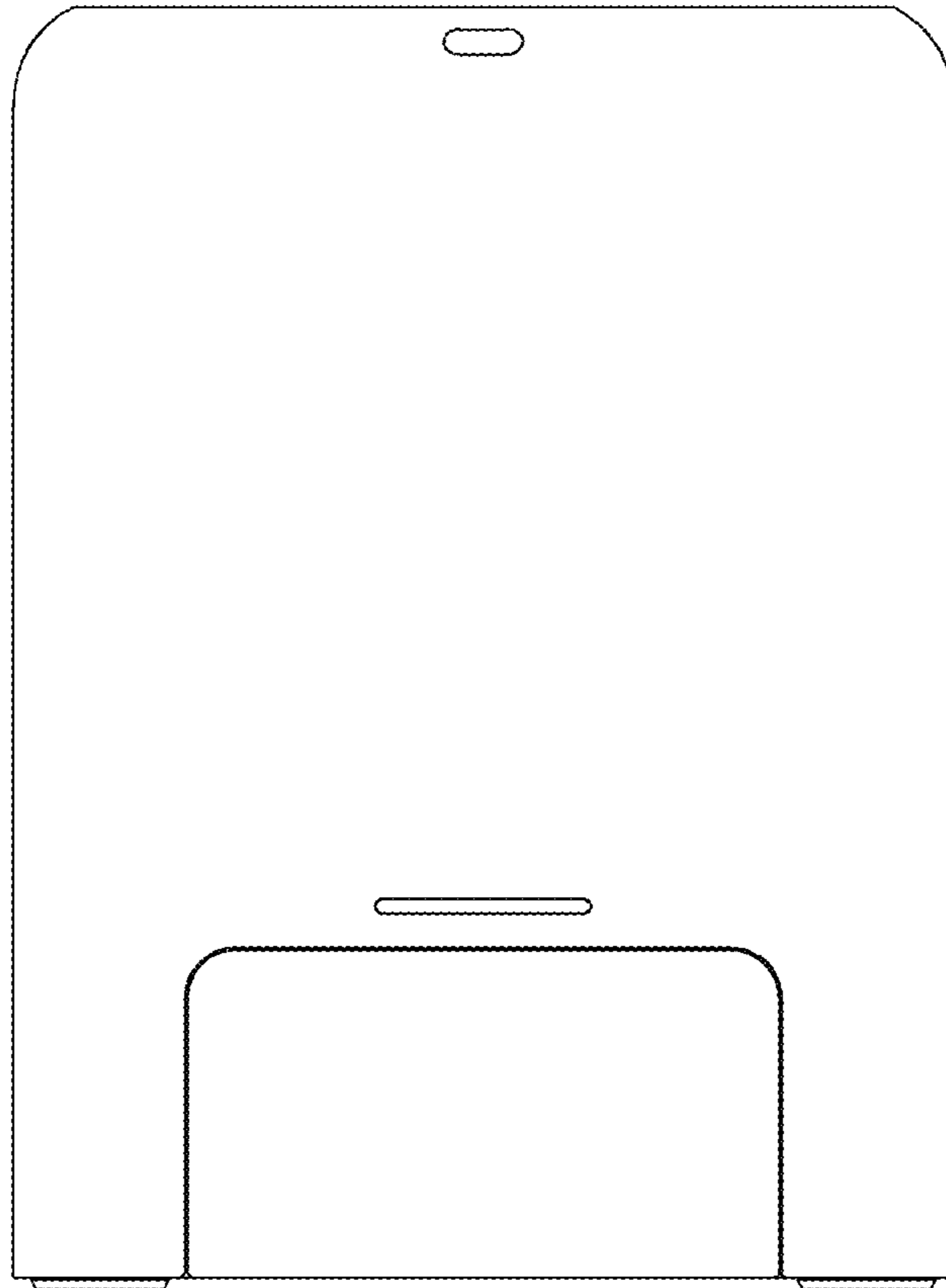
D313,026	S *	12/1990	Evans	D15/81
D364,073	S *	11/1995	Langley	D7/608
6,073,547	A *	6/2000	Westbrooks, Jr.	A47J 39/003
				165/48.1
6,934,603	B1 *	8/2005	Kochanneck	B60L 53/12
				700/245
D519,788	S *	5/2006	Ringuet	D6/665
7,263,851	B2 *	9/2007	Yun	F25D 23/006
				181/207
7,334,425	B1 *	2/2008	Johnson	F25D 11/02
				62/440
8,925,346	B2 *	1/2015	Natarajan	F25B 7/00
				62/443
8,975,780	B2 *	3/2015	Urban	F25B 27/00
				307/64
2010/0282762	A1 *	11/2010	Leonard	B65D 81/3841
				220/592.01
2011/0232323	A1 *	9/2011	Morris	F25D 11/00
				62/457.9

* cited by examiner

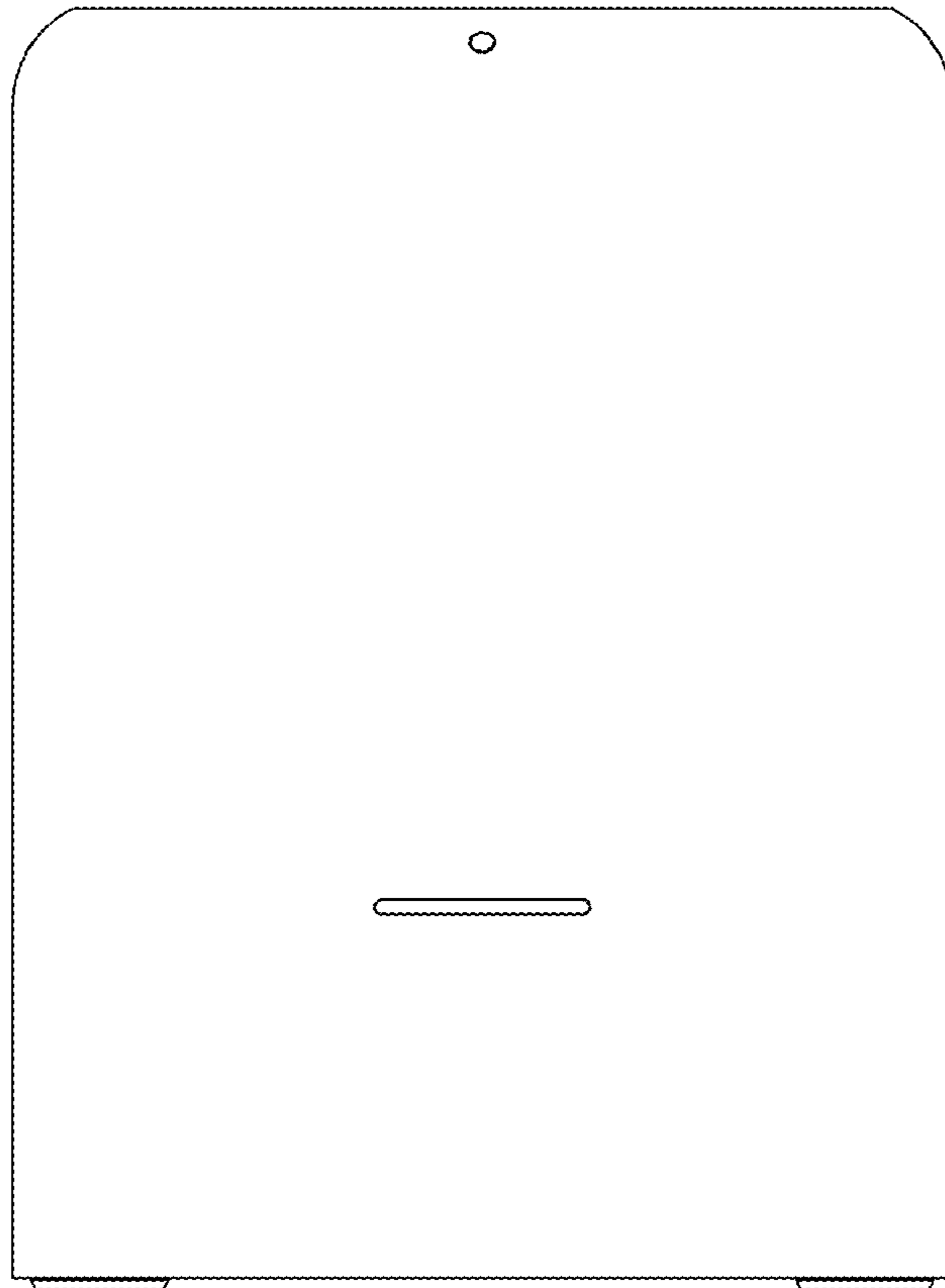
1.1



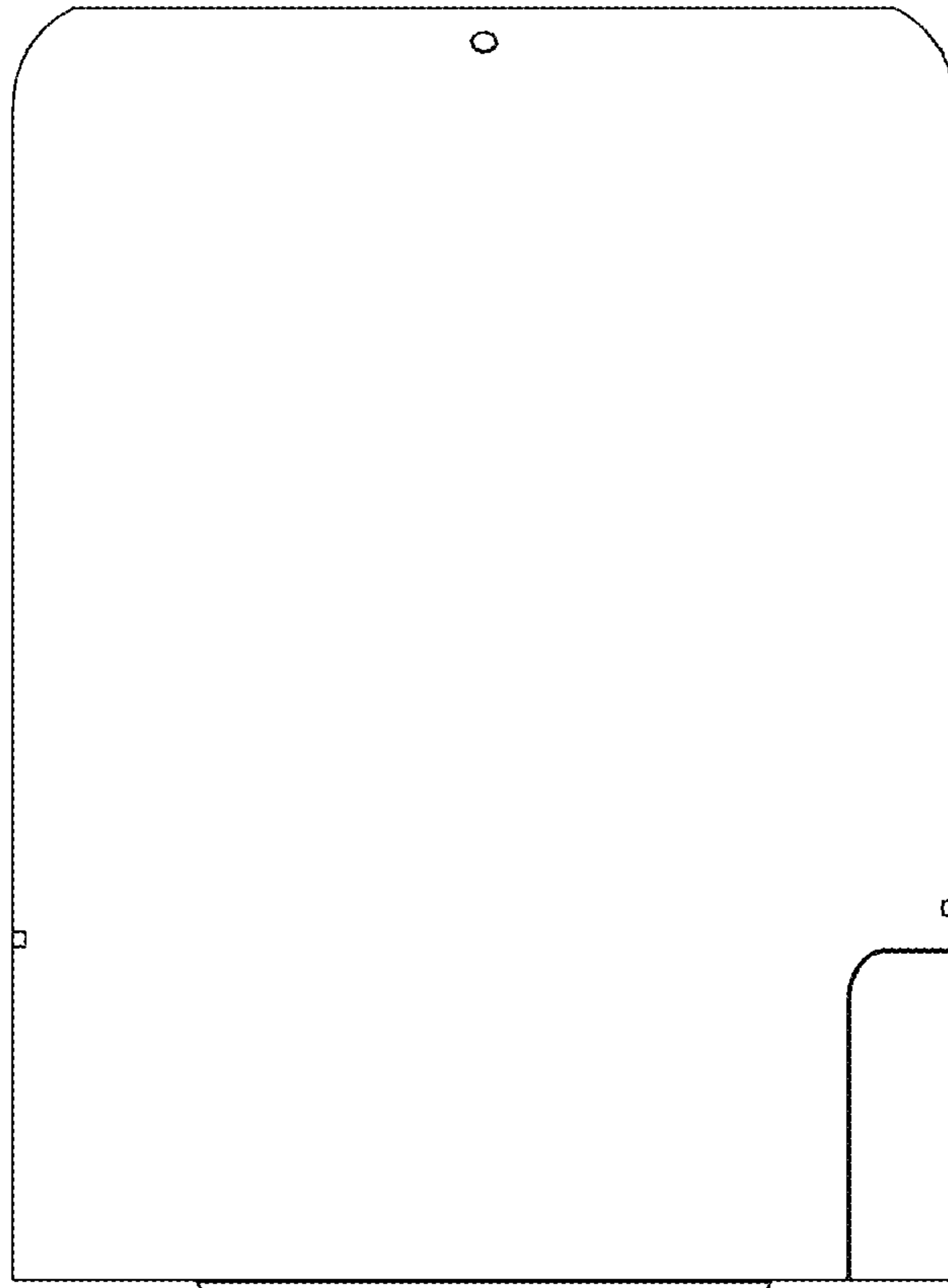
1.2



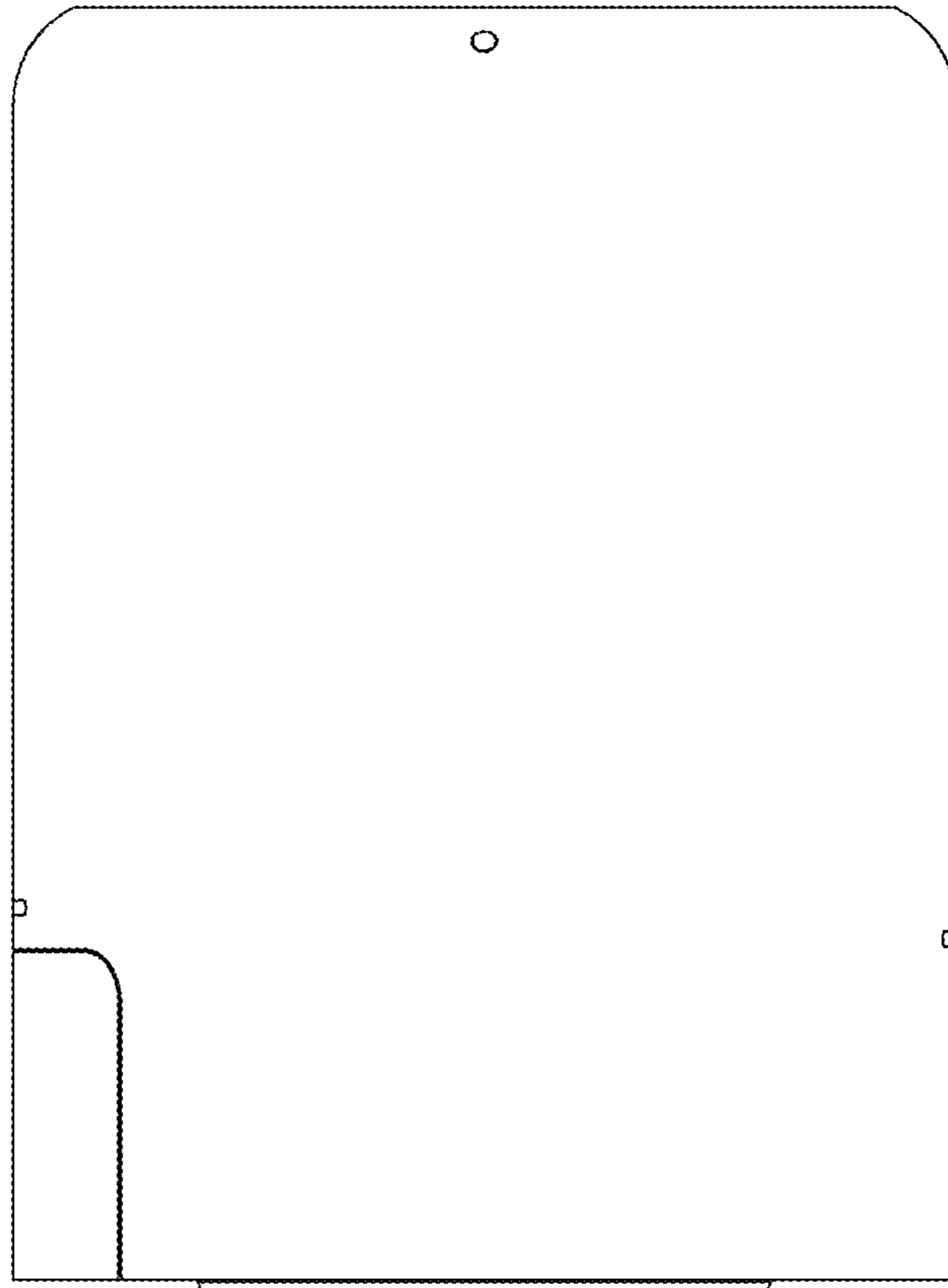
1.3



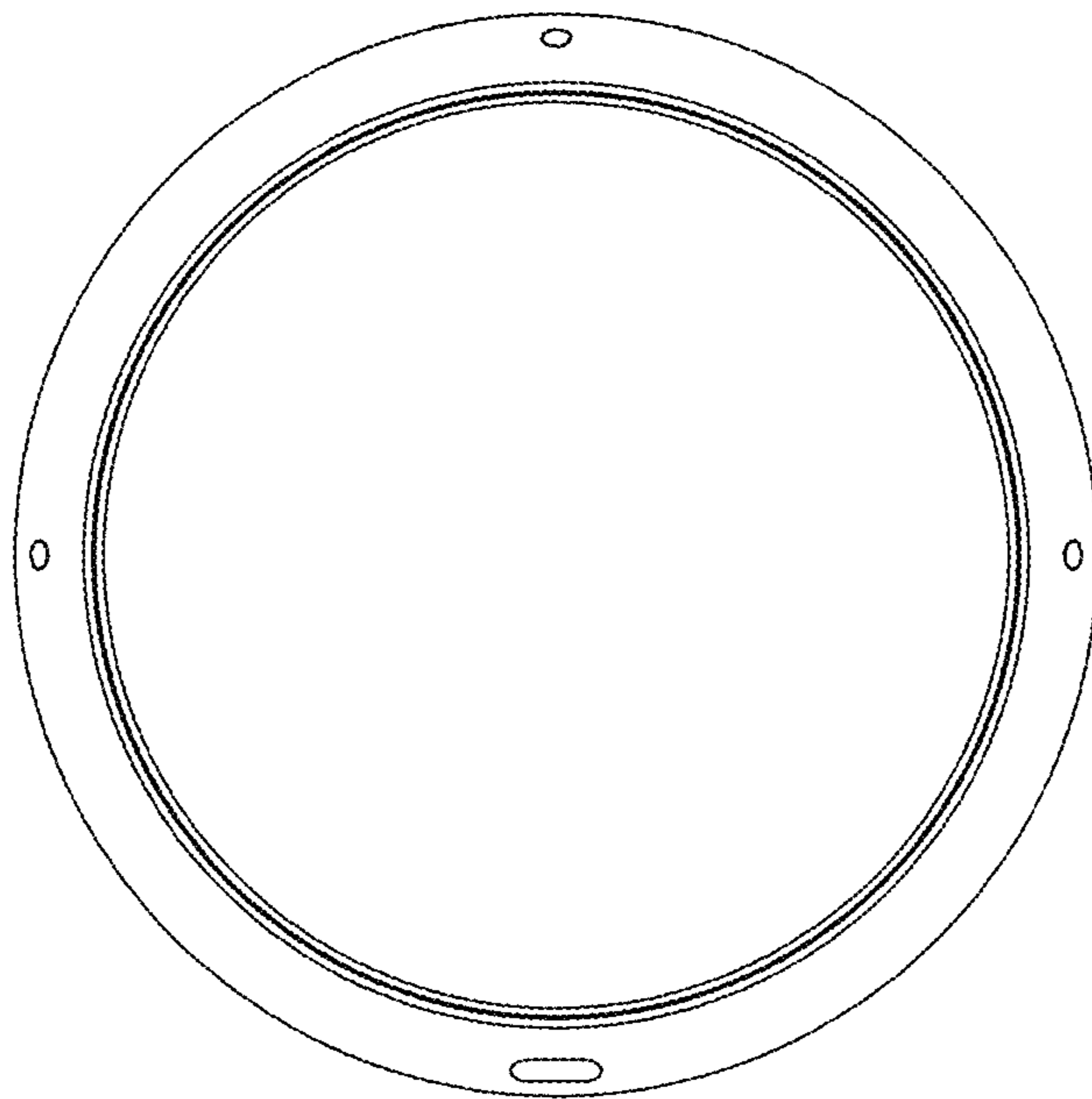
1.4



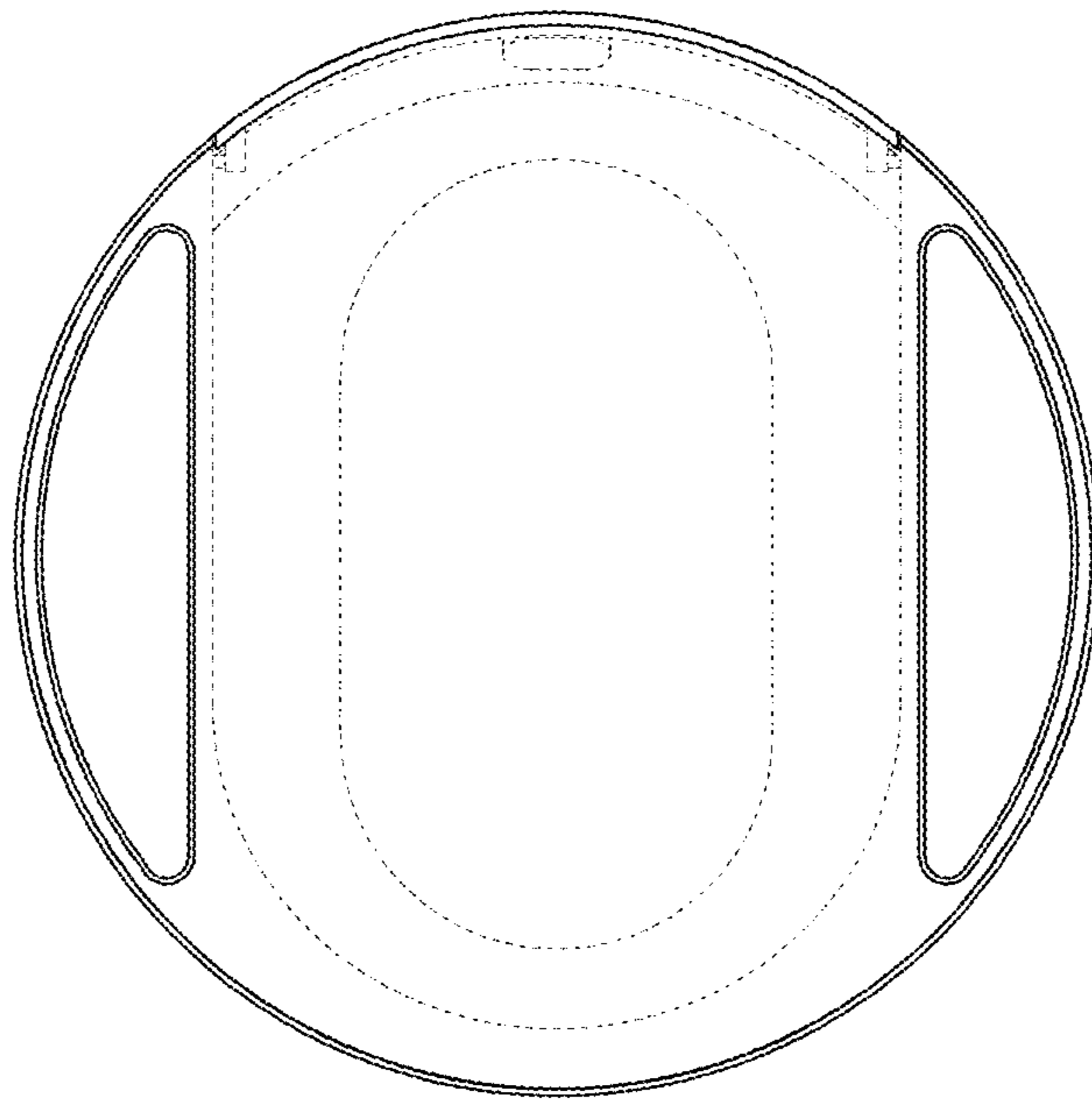
1.5



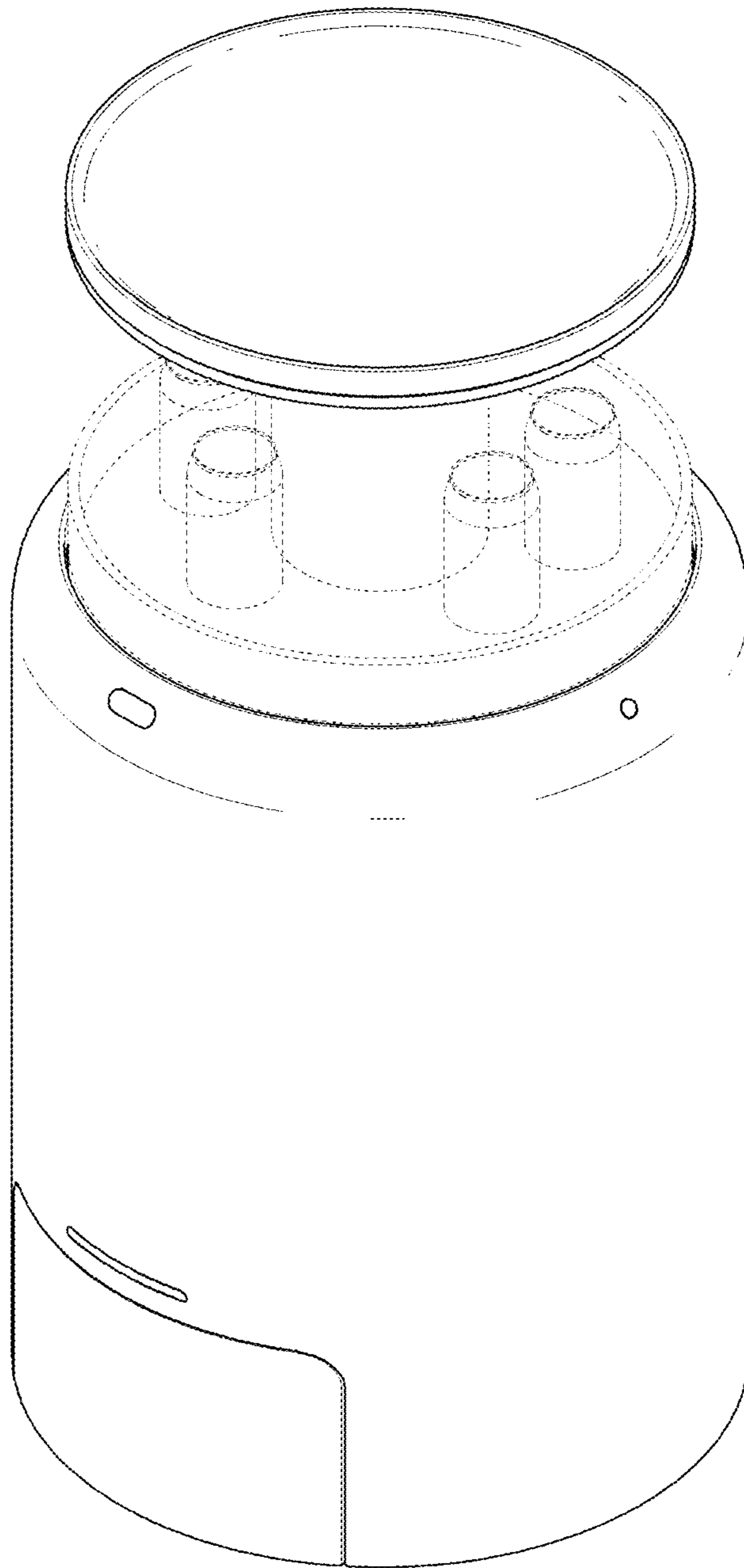
1.6



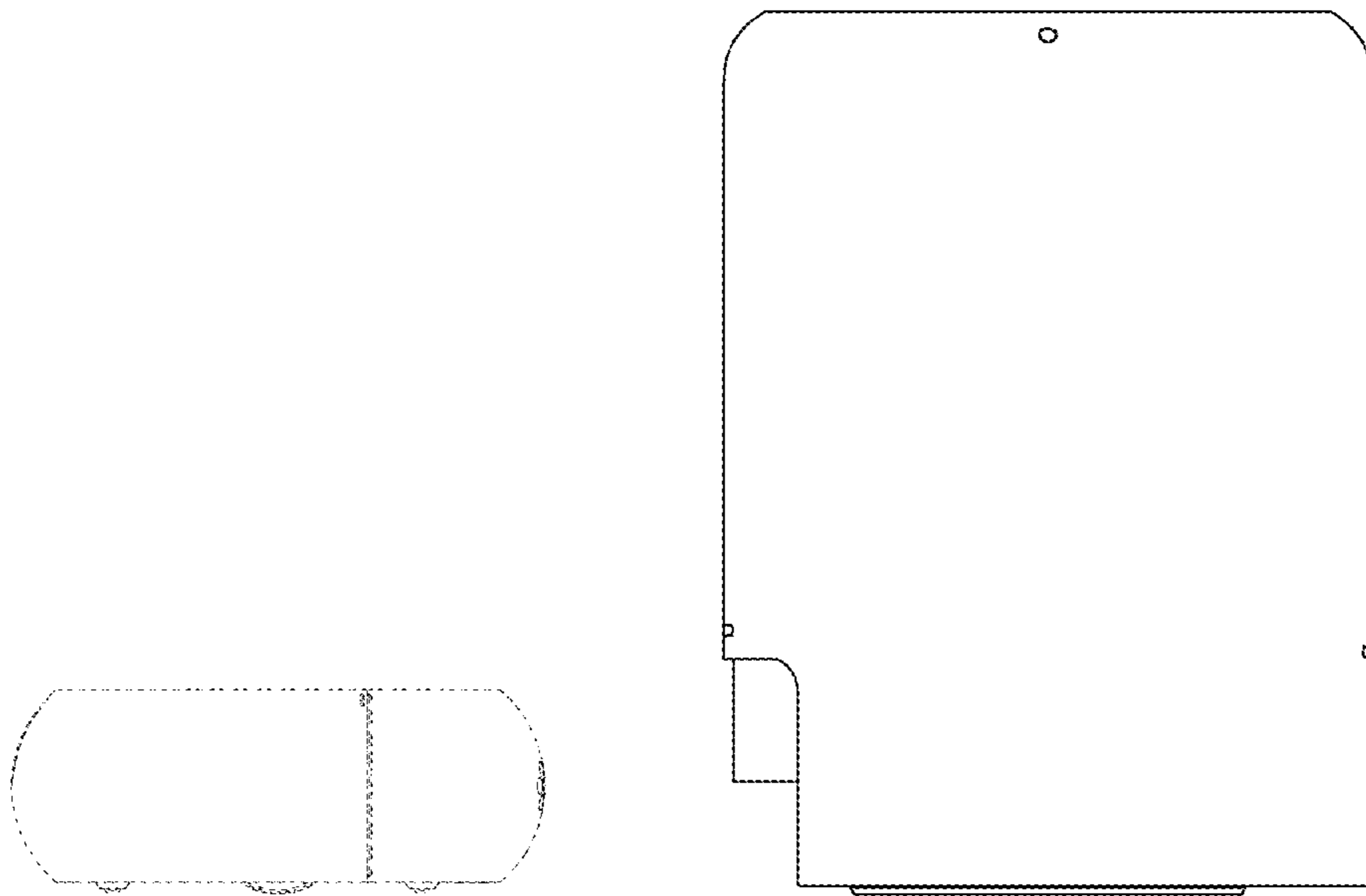
1.7



1.8



1.9



1.10

