



US00D921058S

(12) **United States Design Patent**
Baker

(10) **Patent No.:** **US D921,058 S**

(45) **Date of Patent:** **** Jun. 1, 2021**

(54) **ABRASIVE WHEEL**

(74) *Attorney, Agent, or Firm* — Scott B. Markow

(71) Applicant: **BLACK & DECKER INC.**, New Britain, CT (US)

(57) **CLAIM**

The ornamental design for an abrasive wheel, as shown and described.

(72) Inventor: **Julia S. Baker**, Baltimore, MD (US)

(73) Assignee: **Black & Decker Inc.**, New Britain, CT (US)

(**) Term: **15 Years**

DESCRIPTION

(21) Appl. No.: **29/703,384**

The patent or application file contains at least one drawing executed in color. Copies of this patent or patent application publication with color drawing(s) will be provided by the Office upon request and payment of the necessary fee.

(22) Filed: **Aug. 27, 2019**

FIG. 1 is a front perspective view of a first embodiment of an abrasive wheel.

(51) **LOC (13) Cl.** **15-09**

FIG. 2 is a front elevation view of the abrasive wheel of FIG. 1.

(52) **U.S. Cl.**

USPC **D15/26**

FIG. 3 is a rear elevation view of the abrasive wheel of FIG. 1.

(58) **Field of Classification Search**

USPC D13/118, 133, 162, 182, 184, 199;
D15/126, 138, 144.1, 144.2, 150, 199;

FIG. 4 is a left plan view of the abrasive wheel of FIG. 1.

(Continued)

FIG. 5 is a right plan view of the abrasive wheel of FIG. 1.

(56) **References Cited**

U.S. PATENT DOCUMENTS

2,309,016 A * 1/1943 Ryan B24D 7/14
451/548

FIG. 6 is a top plan view of the abrasive wheel of FIG. 1.

2,451,295 A * 10/1948 Metzger B24D 7/14
451/548

FIG. 7 is a bottom plan view of the abrasive wheel of FIG. 1.

(Continued)

FIG. 8 is a bottom perspective view of the abrasive wheel of FIG. 1.

OTHER PUBLICATIONS

Aloxide DC Grining Wheel, Posted on indiamart.com, no posted date given, no production date given, [online]m [site visited Nov. 6, 2020], available from internet, URL: <https://www.indiamart.com/proddetail/dc-grinding-wheel-20665328948.html> (Year: 2020).*

FIG. 9 is a front perspective view of a second embodiment of an abrasive wheel.

(Continued)

FIG. 10 is a front elevation view of the abrasive wheel of FIG. 9.

Primary Examiner — Michael C Stout

Assistant Examiner — Fitzgerald L Butac

(Continued)

FIG. 11 is a rear elevation view of the abrasive wheel of FIG. 9.

FIG. 12 is a left plan view of the abrasive wheel of FIG. 9.

FIG. 13 is a right plan view of the abrasive wheel of FIG. 9.

FIG. 14 is a top plan view of the abrasive wheel of FIG. 9.

FIG. 15 is a bottom plan view of the abrasive wheel of FIG. 9.

FIG. 16 is a bottom perspective view of the abrasive wheel of FIG. 9.

FIG. 17 is a front perspective view of a third embodiment of an abrasive wheel.

FIG. 18 is a front elevation view of the abrasive wheel of FIG. 17.

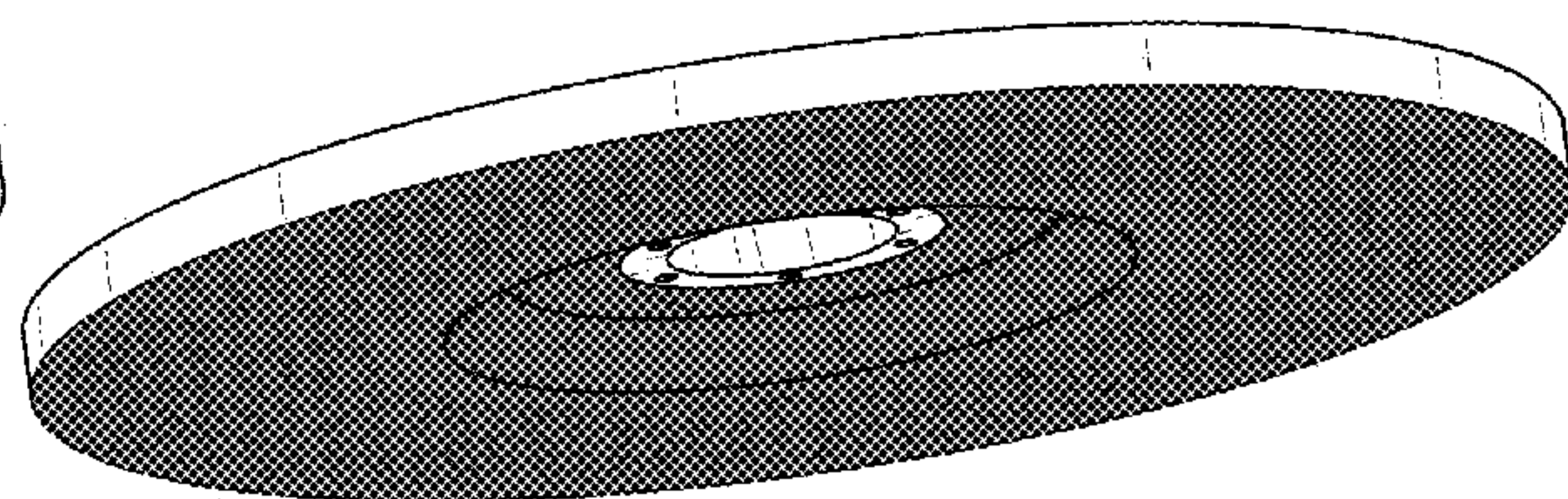
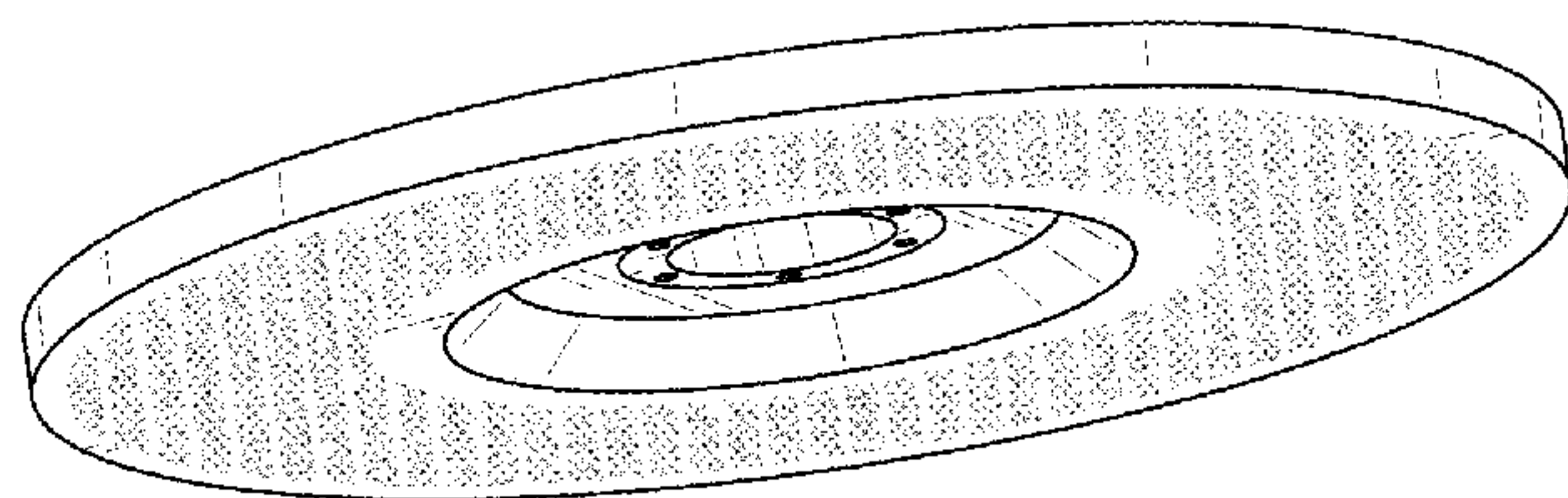


FIG. 19 is a rear elevation view of the abrasive wheel of FIG. 17.
 FIG. 20 is a left plan view of the abrasive wheel of FIG. 17.
 FIG. 21 is a right plan view of the abrasive wheel of FIG. 17.
 FIG. 22 is a top plan view of the abrasive wheel of FIG. 17.
 FIG. 23 is a bottom plan view of the abrasive wheel of FIG. 17.
 FIG. 24 is a bottom perspective view of the abrasive wheel of FIG. 17.
 FIG. 25 is a front perspective view of a fourth embodiment of an abrasive wheel.
 FIG. 26 is a front elevation view of the abrasive wheel of FIG. 25.
 FIG. 27 is a rear elevation view of the abrasive wheel of FIG. 25.
 FIG. 28 is a left plan view of the abrasive wheel of FIG. 25.
 FIG. 29 is a right plan view of the abrasive wheel of FIG. 25.
 FIG. 30 is a top plan view of the abrasive wheel of FIG. 25.
 FIG. 31 is a bottom plan view of the abrasive wheel of FIG. 25; and,
 FIG. 32 is a bottom perspective view of the abrasive wheel of FIG. 25.
 The broken lines show portions of an abrasive wheel that form no part of the claimed design.

D284,969	S	*	8/1986	Olovsson	D15/126
D444,483	S	*	7/2001	Sunagawa	D15/126
D545,018	S	*	6/2007	Caruso	D32/40
D546,010	S	*	7/2007	Caruso	D32/40
D550,414	S	*	9/2007	Caruso	D32/40
D551,406	S	*	9/2007	Caruso	D32/40
D551,407	S	*	9/2007	Caruso	D32/40
D552,313	S	*	10/2007	Caruso	D32/40
D582,618	S	*	12/2008	Caruso	D32/40
D609,420	S	*	2/2010	Lafortezza	D32/40
D645,486	S	*	9/2011	Yoshikawa	D15/138
D655,469	S	*	3/2012	Millar	D32/40
D657,103	S	*	4/2012	Wildeman	D32/40
D657,513	S	*	4/2012	Wildeman	D32/40
D672,377	S	*	12/2012	Yoshikawa	D15/138
D701,249	S	*	3/2014	Fritsch	D15/126
D718,796	S	*	12/2014	Popov	D15/126
D733,775	S	*	7/2015	Hoglund	D15/126
D804,549	S	*	12/2017	Ferronato	D15/126
D816,131	S	*	4/2018	Nymark	D15/126
D816,132	S	*	4/2018	Nymark	D15/126
D843,073	S	*	3/2019	Lund	D32/40
D843,672	S	*	3/2019	Hagen	D32/40
D843,673	S	*	3/2019	Raithel	D32/40
D852,240	S	*	6/2019	Ferronato	D15/126
D854,768	S	*	7/2019	Nie	D32/40
D859,767	S	*	9/2019	Wiand	D32/40
D873,517	S	*	1/2020	Zu	D32/40

**1 Claim, 24 Drawing Sheets
 (6 of 24 Drawing Sheet(s) Filed in Color)**

(58) **Field of Classification Search**
 USPC D23/213; D24/232; D5/47, 53, 56, 58,
 D5/59, 61; D32/40
 CPC H01L 21/0226; H01L 21/02263; H01L
 21/02266; H01L 21/02269; H01L
 21/02271; H01L 21/67742; H01L
 2221/68363; H01L 2224/75186; H01L
 2224/76186; H01J 37/32633; H01J
 37/32477; H01J 37/32623; H01J
 37/32642; B24D 3/20; B24D 5/12; B24D
 5/14; B24D 7/14
 See application file for complete search history.

(56) **References Cited**
 U.S. PATENT DOCUMENTS
 2,496,352 A * 2/1950 Metzger B24D 7/14
 451/548
 D277,486 S * 2/1985 Yanagiura D15/126

OTHER PUBLICATIONS

Bosch Grinding Wheel, posted on indiamart.com, posted Jul. 2019,
 no production date given, [online], [site visited Nov. 6, 2020]
 available from internet, URL: [https://www.indiamart.com/proddetail/
 bosch-grinding-wheel-d-c-wheel-21433415597.html](https://www.indiamart.com/proddetail/bosch-grinding-wheel-d-c-wheel-21433415597.html) (Year: 2019).*
 Cubitron Flexible Grinding Wheel, posted on sg.electgo.com, posted
 Jun. 11, 2020, no production date given, [online], [site visited Nov.
 6, 2020], available from internet, URL: [https://sg.electgo.com/
 products/14437%20Cubitron%E2%84%A2%20II%20Flexible%
 20Grinding%20Wheel](https://sg.electgo.com/products/14437%20Cubitron%E2%84%A2%20II%20Flexible%20Grinding%20Wheel), (Year: 2020).*
 Black & Decker Abrasive Wheel, posted on overstock.com, no
 posted date given, no production date given, [online], [site visited
 Nov. 6, 2020], available from internet, URL: [https://www.overstock.
 com/Home-Garden/Black-Decker-DWLT-7-Mason-Abrasive-Wheel-
 DWA3502-Unit-EACH-Contains-25-per-case/17565025](https://www.overstock.com/Home-Garden/Black-Decker-DWLT-7-Mason-Abrasive-Wheel-DWA3502-Unit-EACH-Contains-25-per-case/17565025) (Year: 2020).*

* cited by examiner

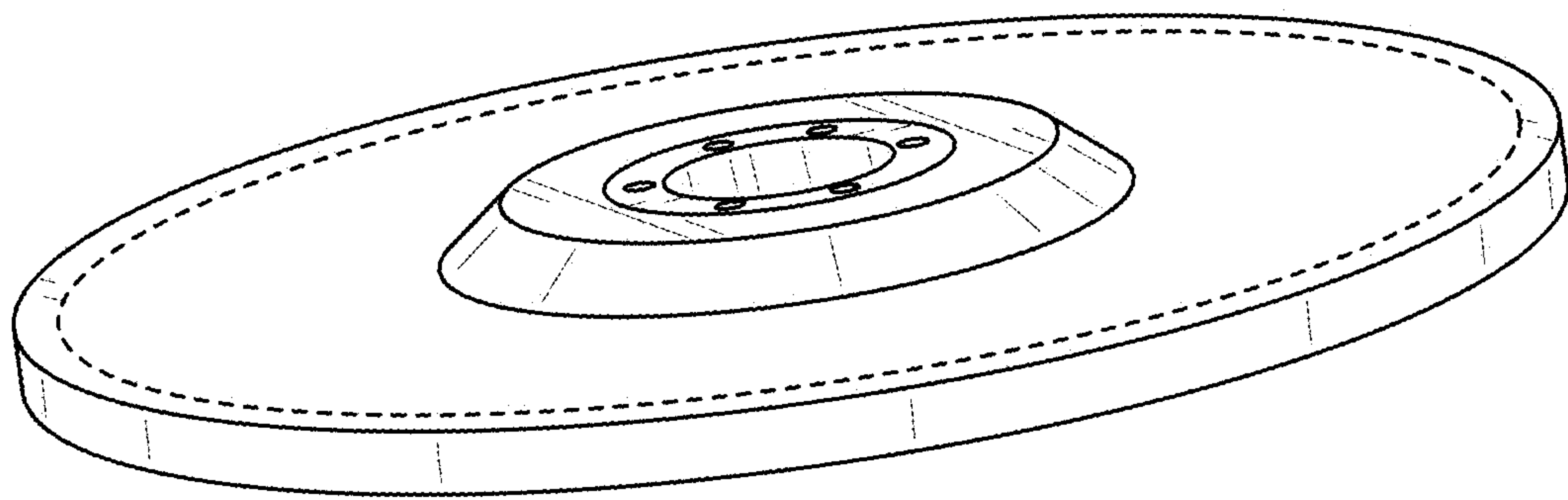


FIG. 1

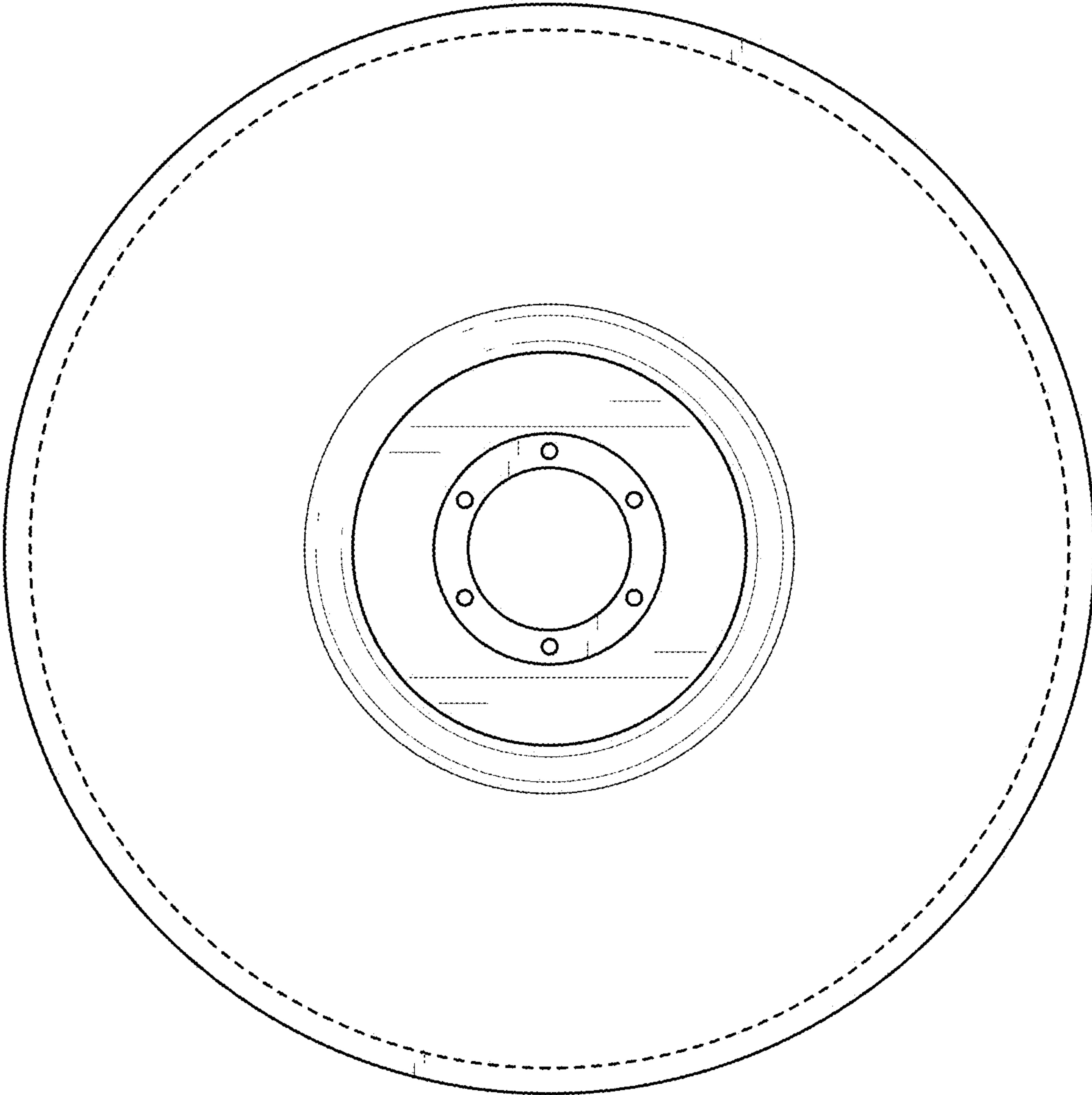


FIG. 2

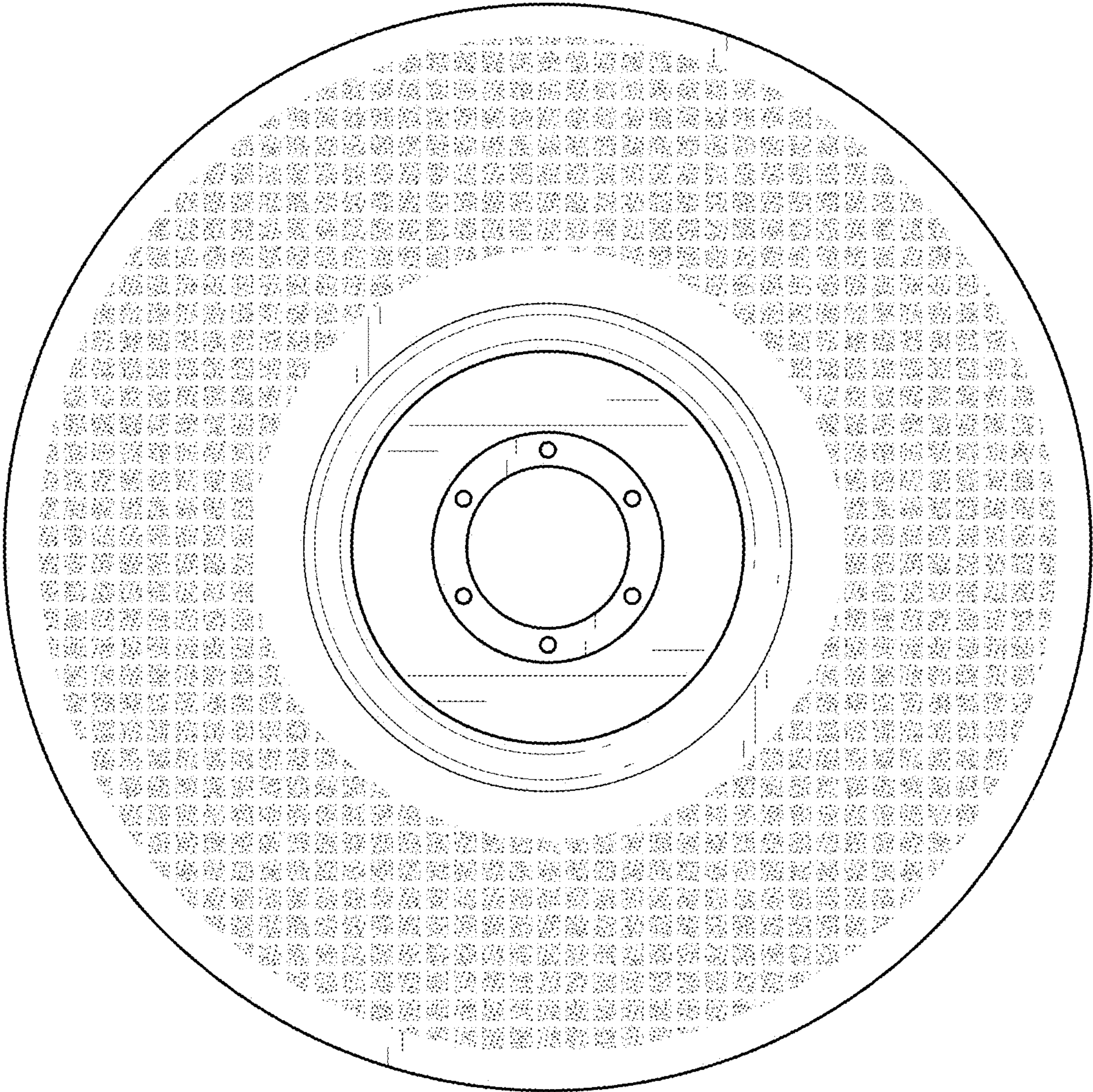


FIG. 3

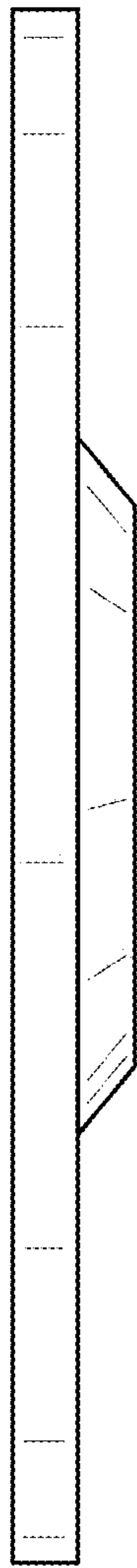


FIG. 4

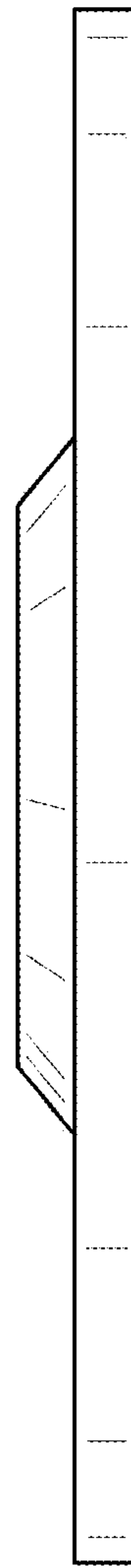


FIG. 5



FIG. 6

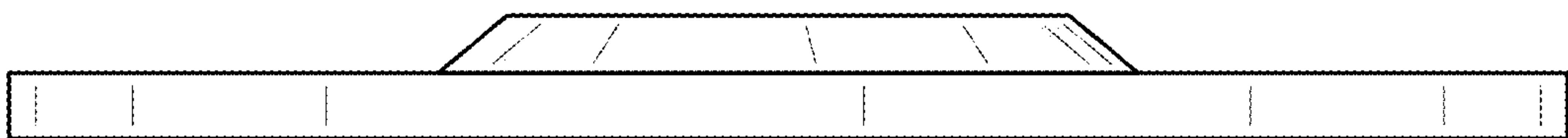


FIG. 7

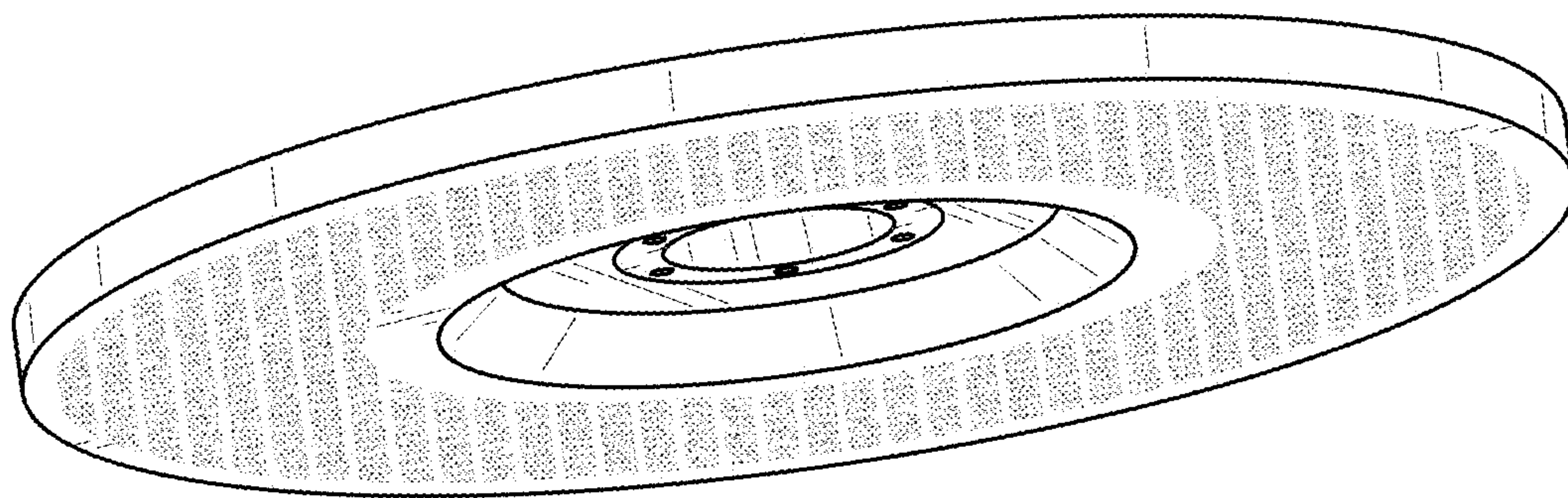


FIG. 8

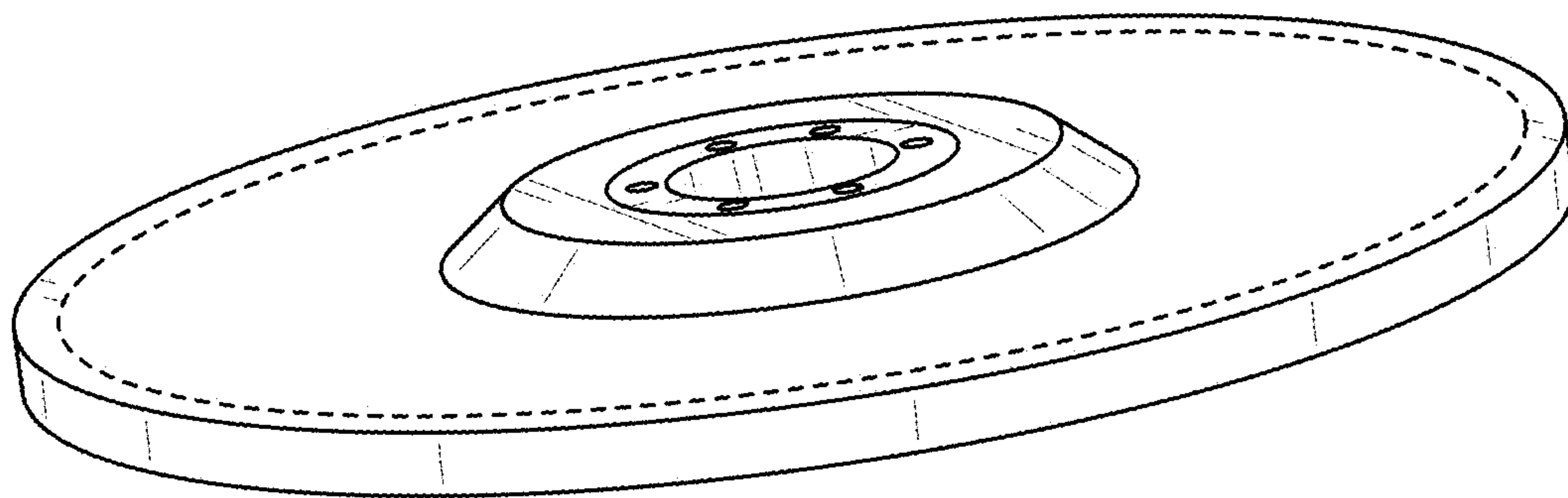


FIG. 9

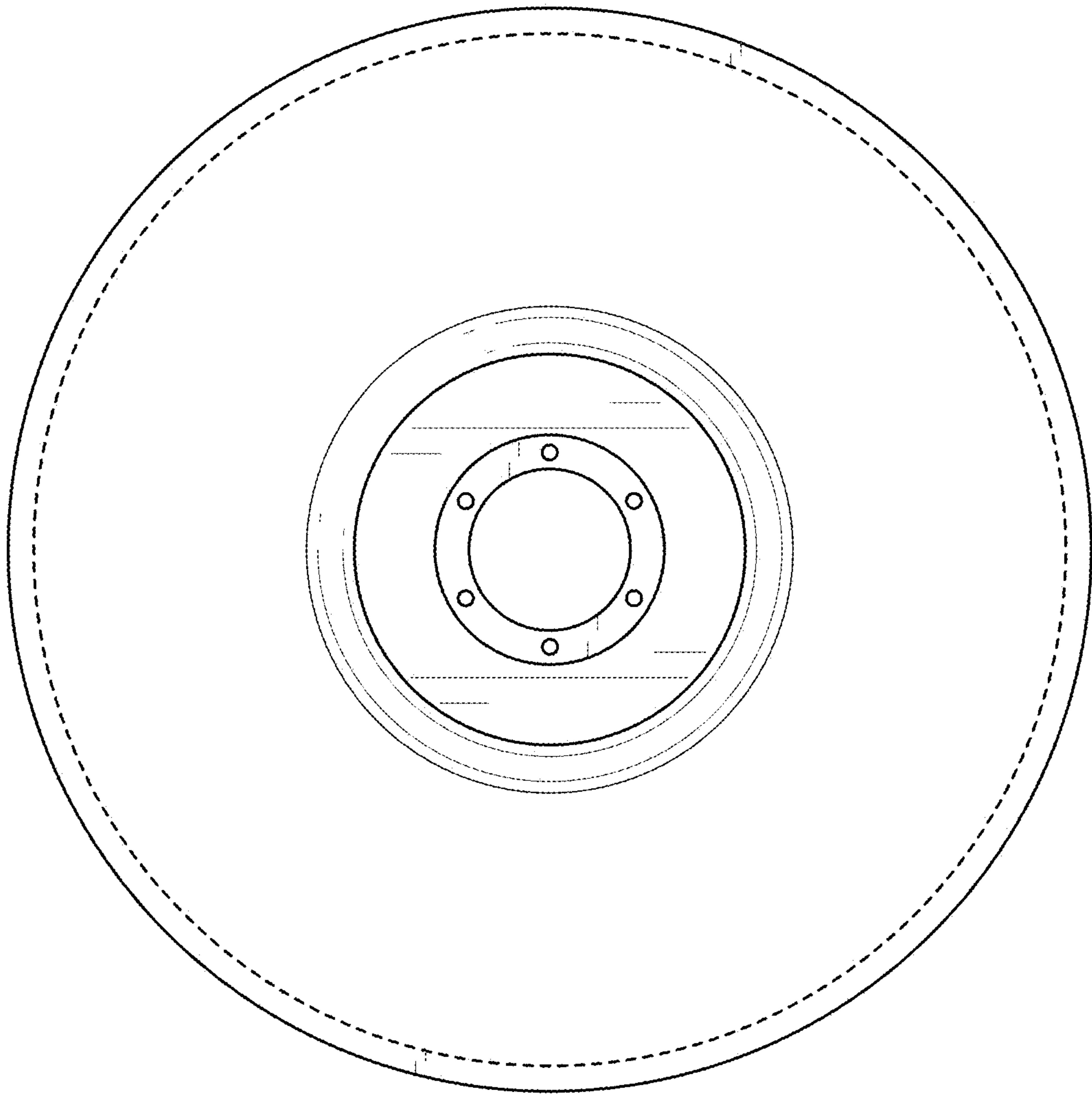


FIG. 10

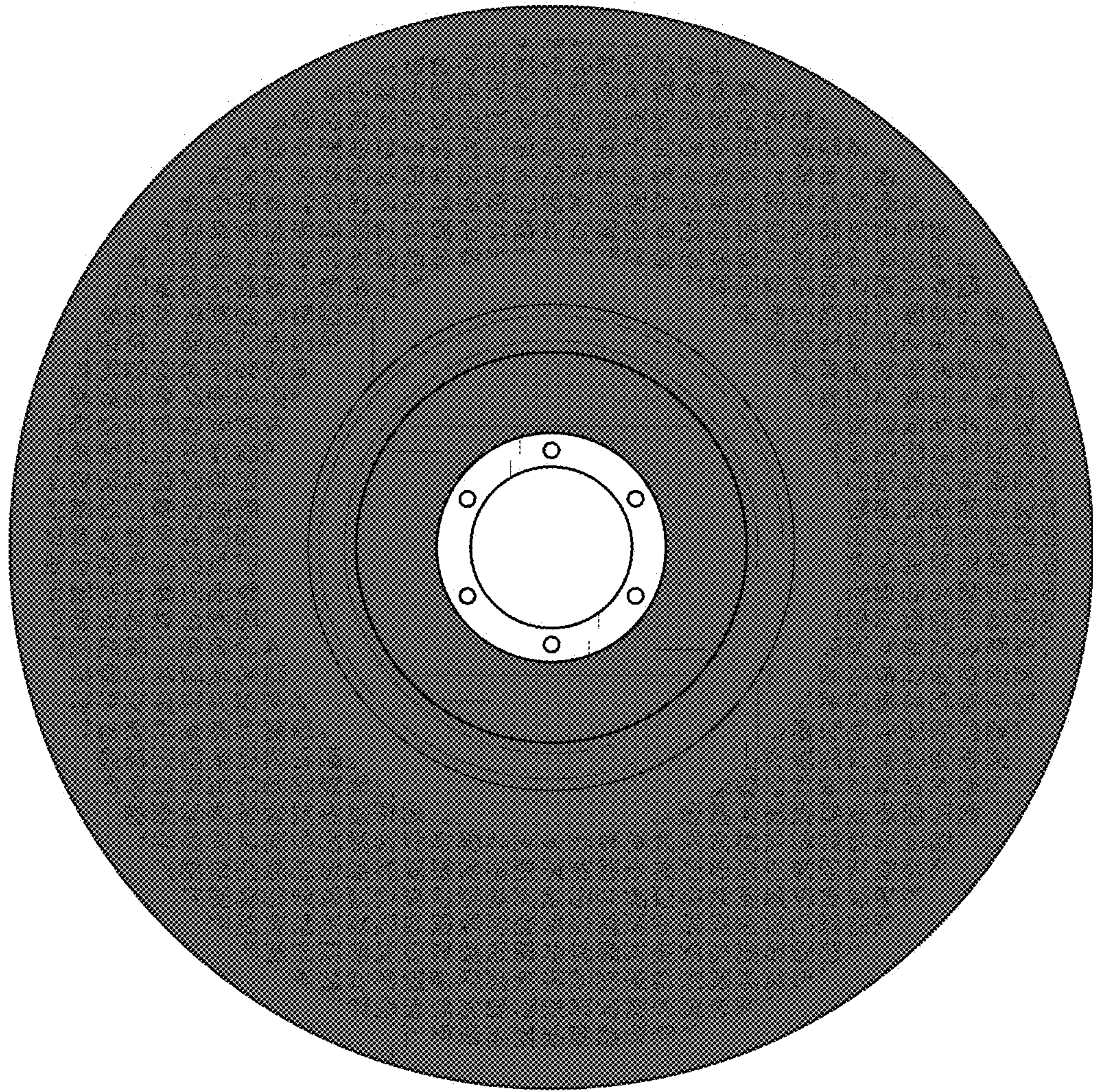


FIG. 11

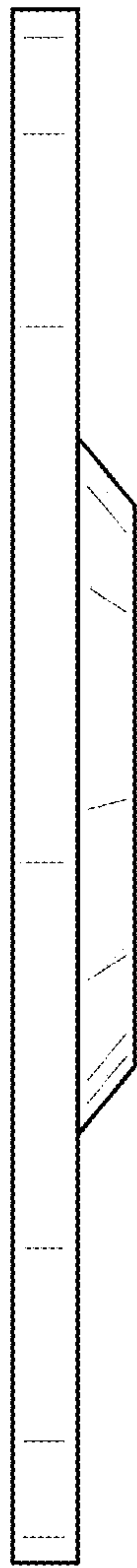


FIG. 12

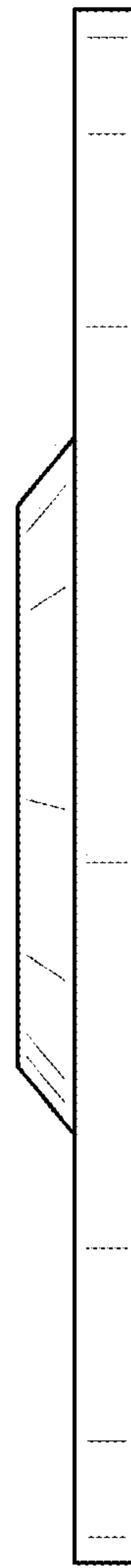


FIG. 13

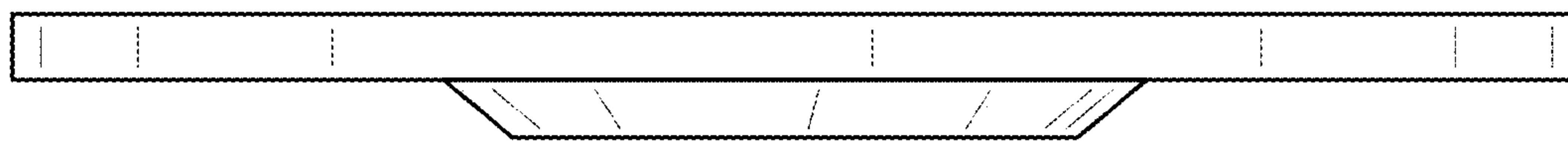


FIG. 14

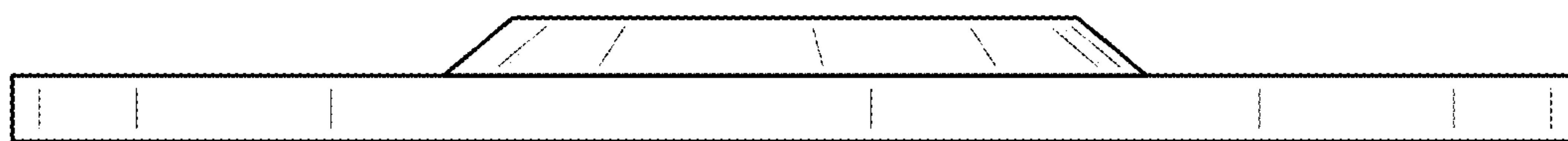


FIG. 15

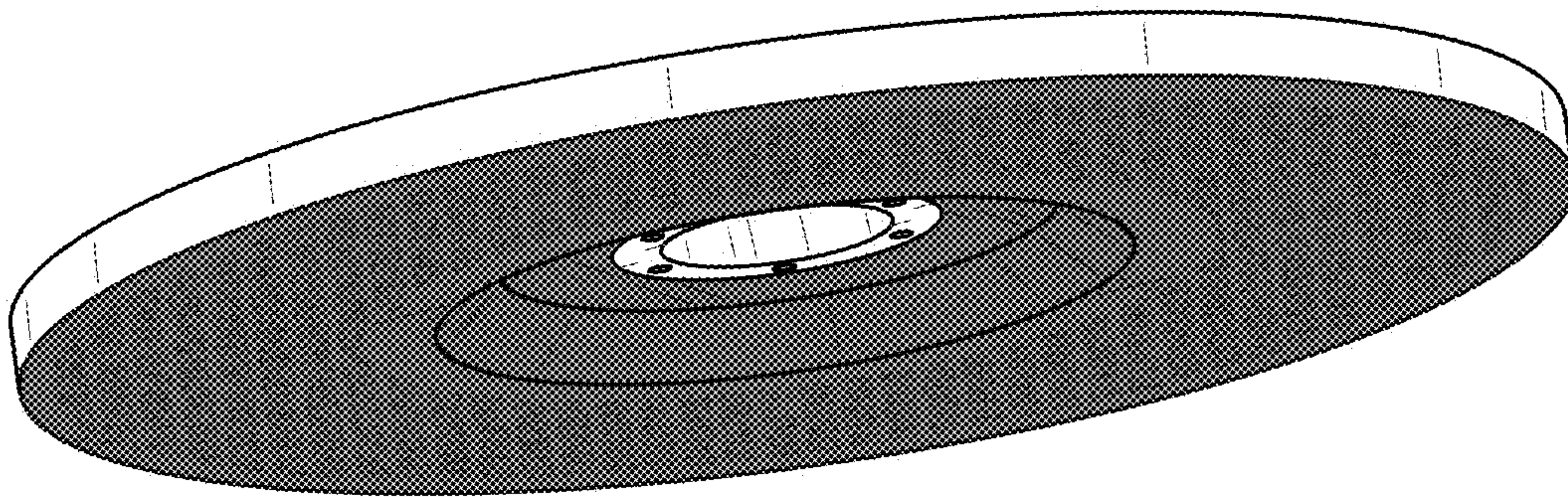


FIG. 16

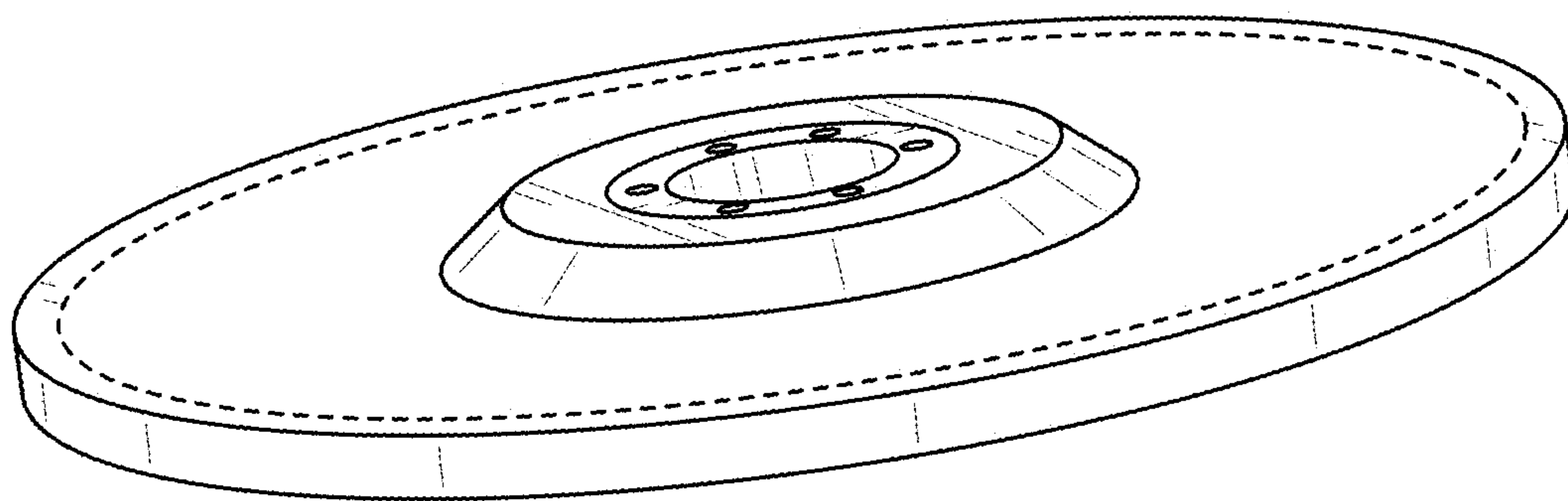


FIG. 17

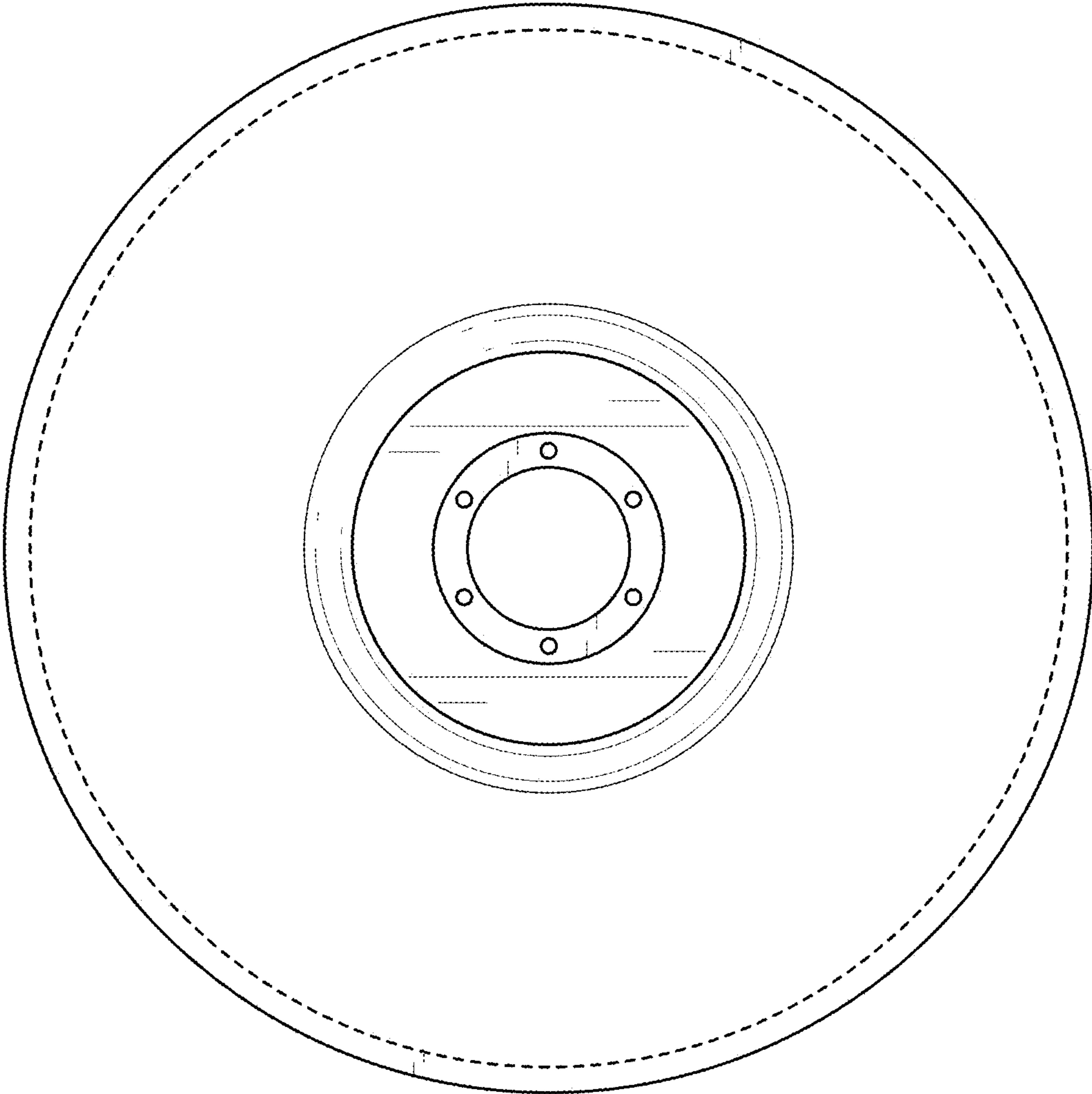


FIG. 18

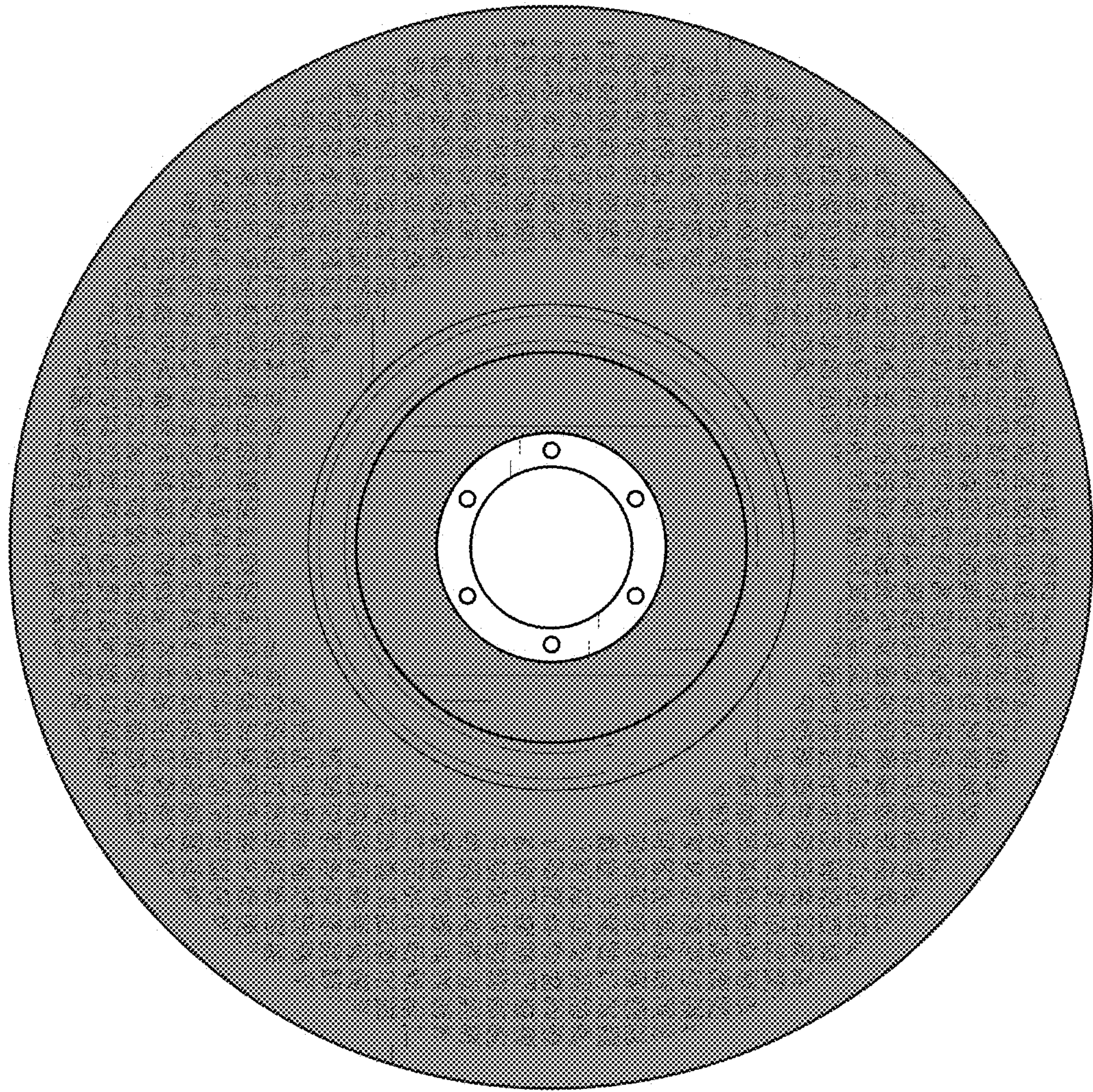


FIG. 19

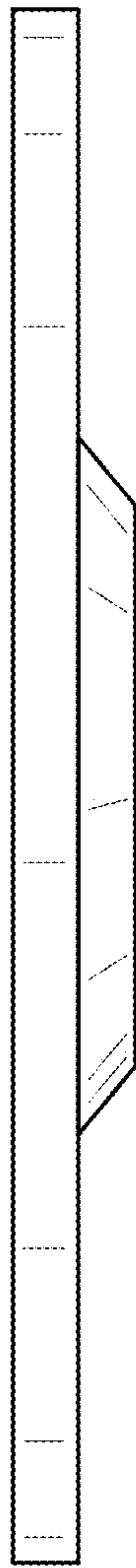


FIG. 20

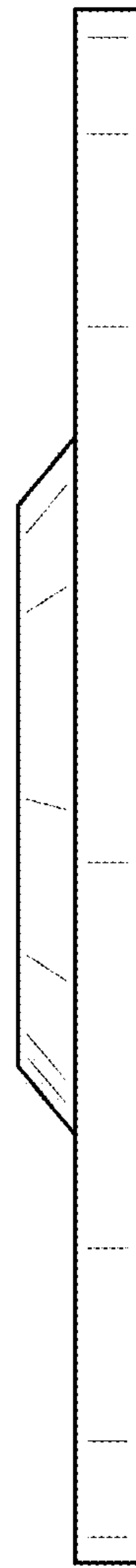


FIG. 21

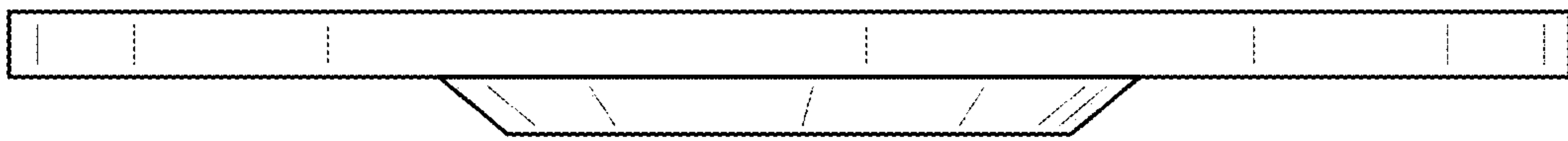


FIG. 22

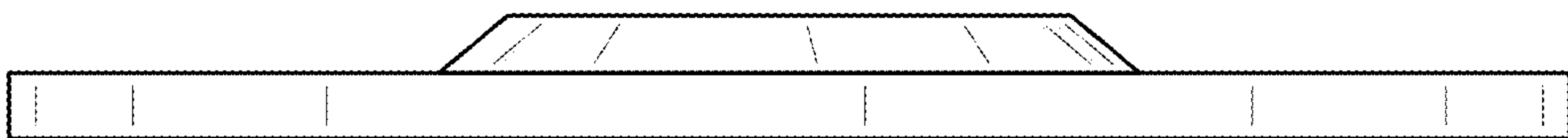


FIG. 23

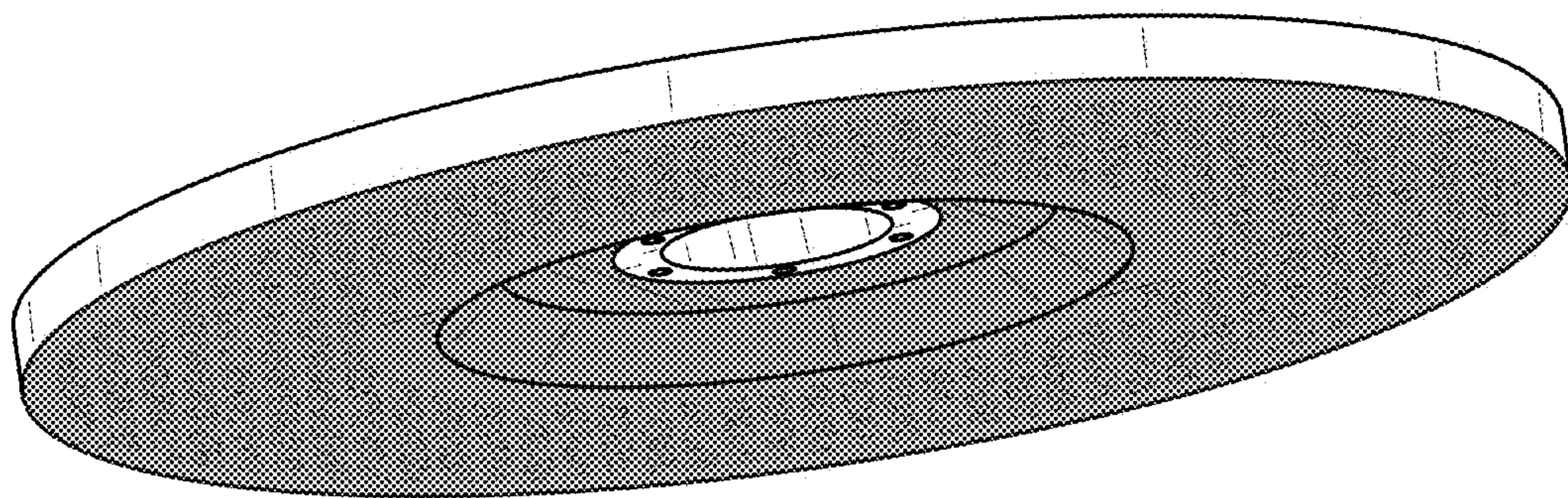


FIG. 24

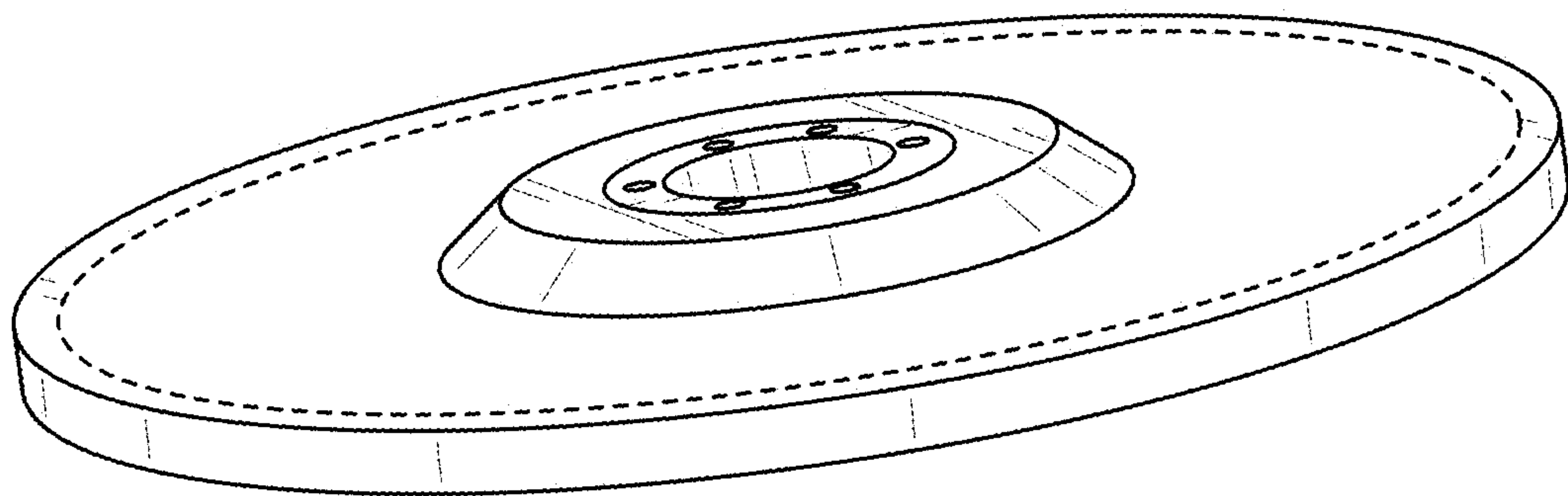


FIG. 25

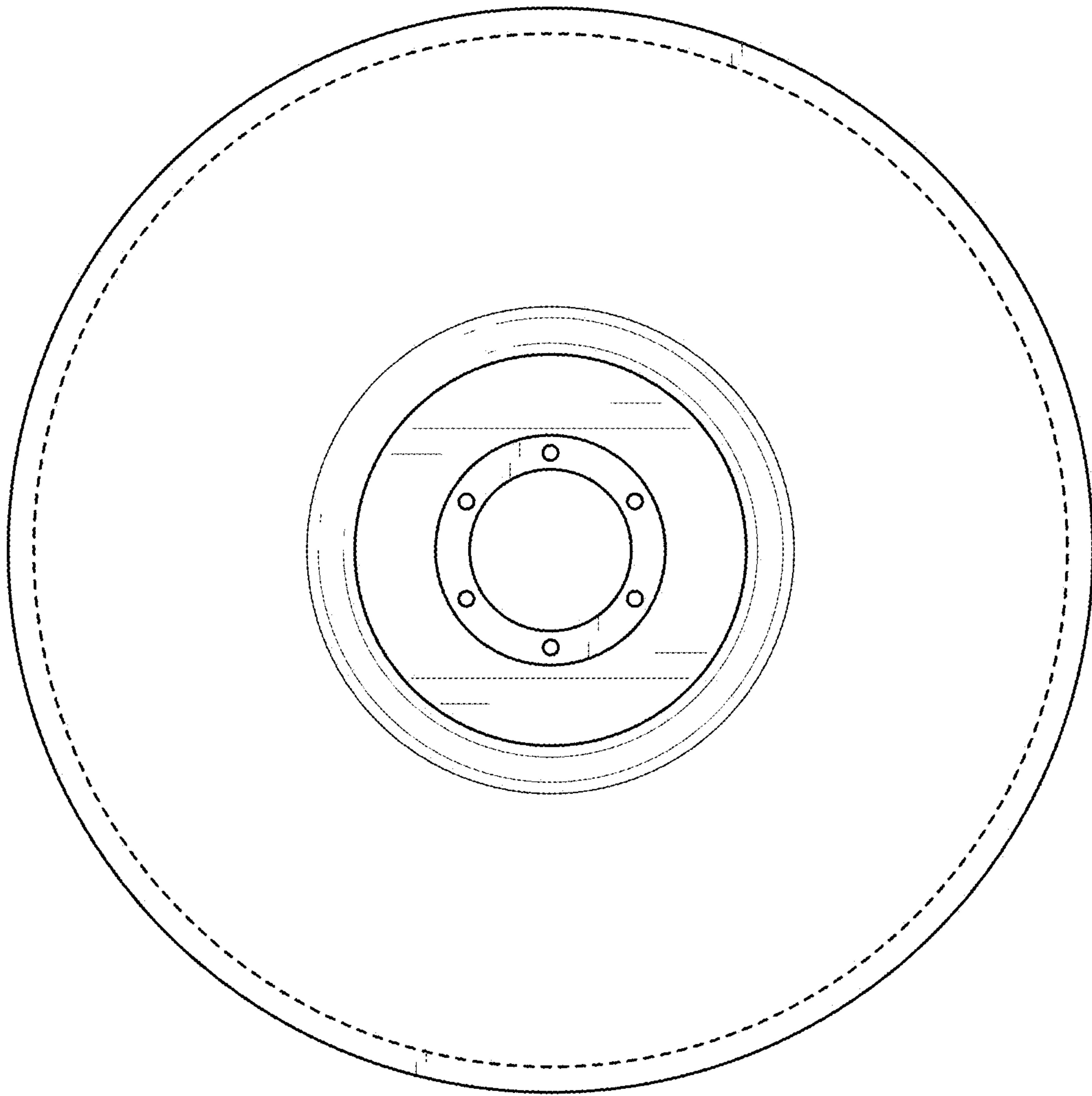


FIG. 26

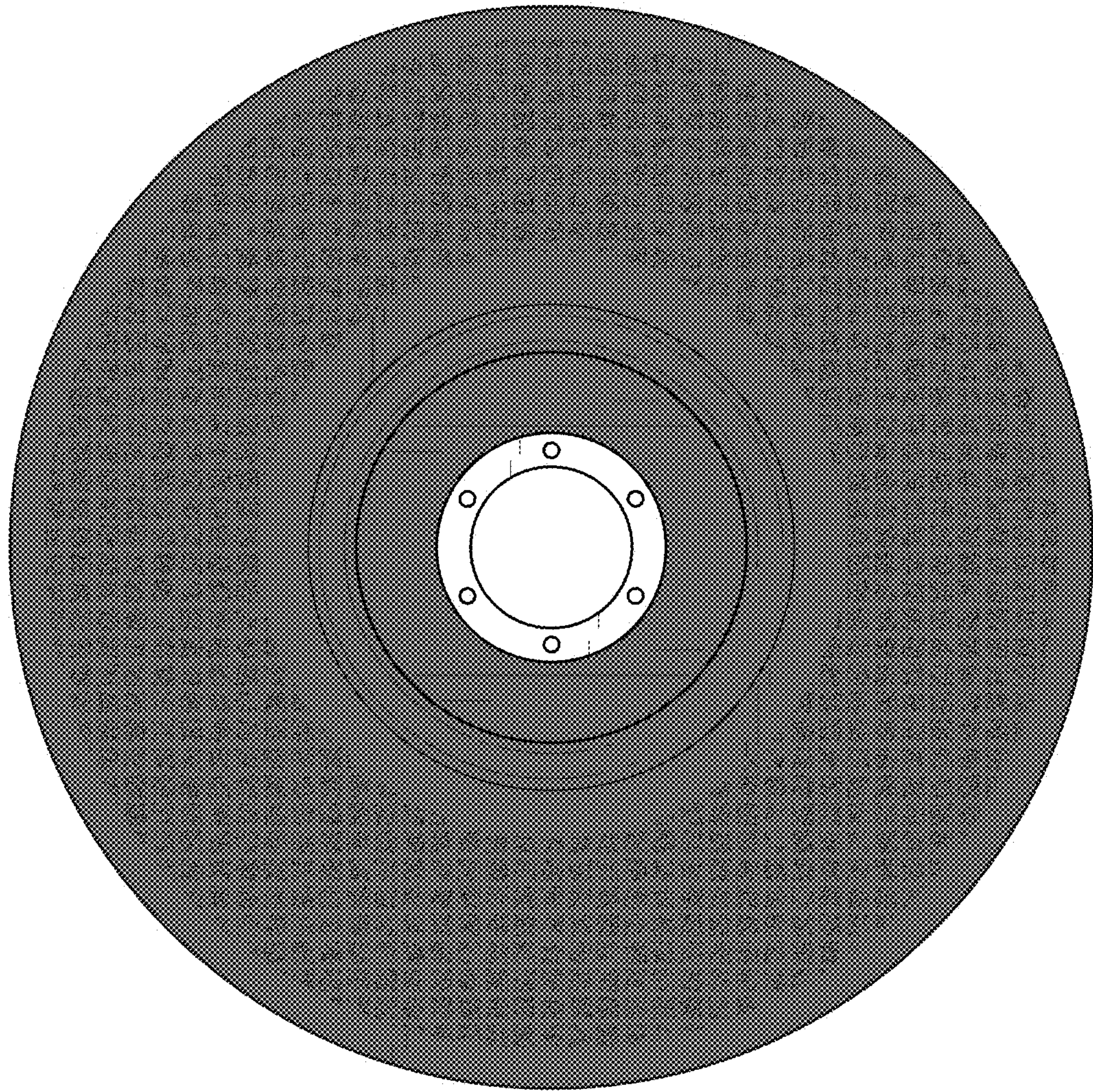


FIG. 27

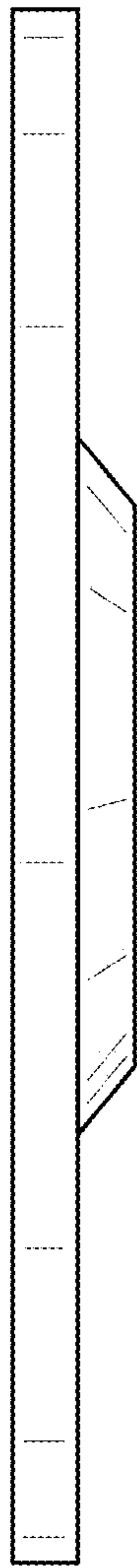


FIG. 28

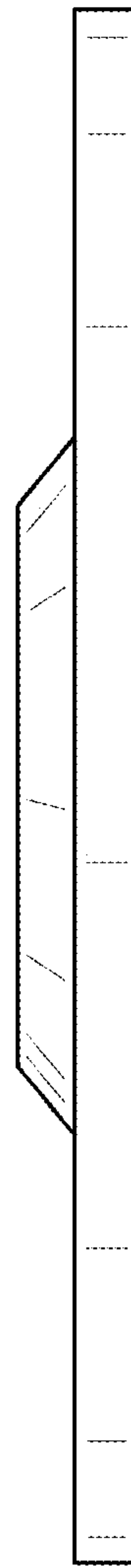


FIG. 29

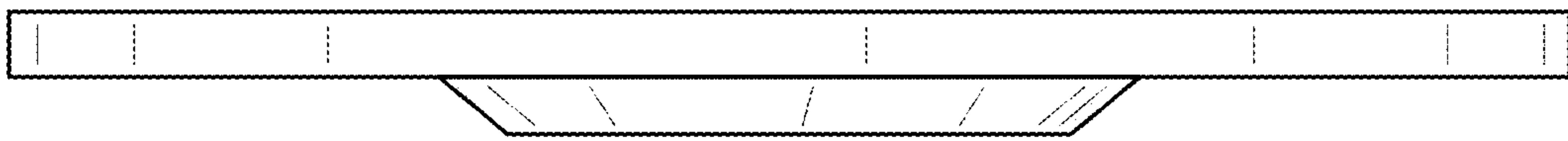


FIG. 30

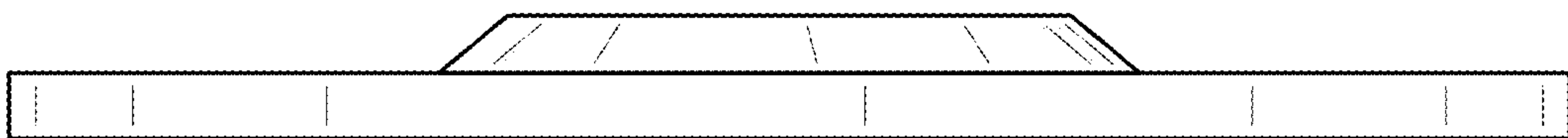


FIG. 31

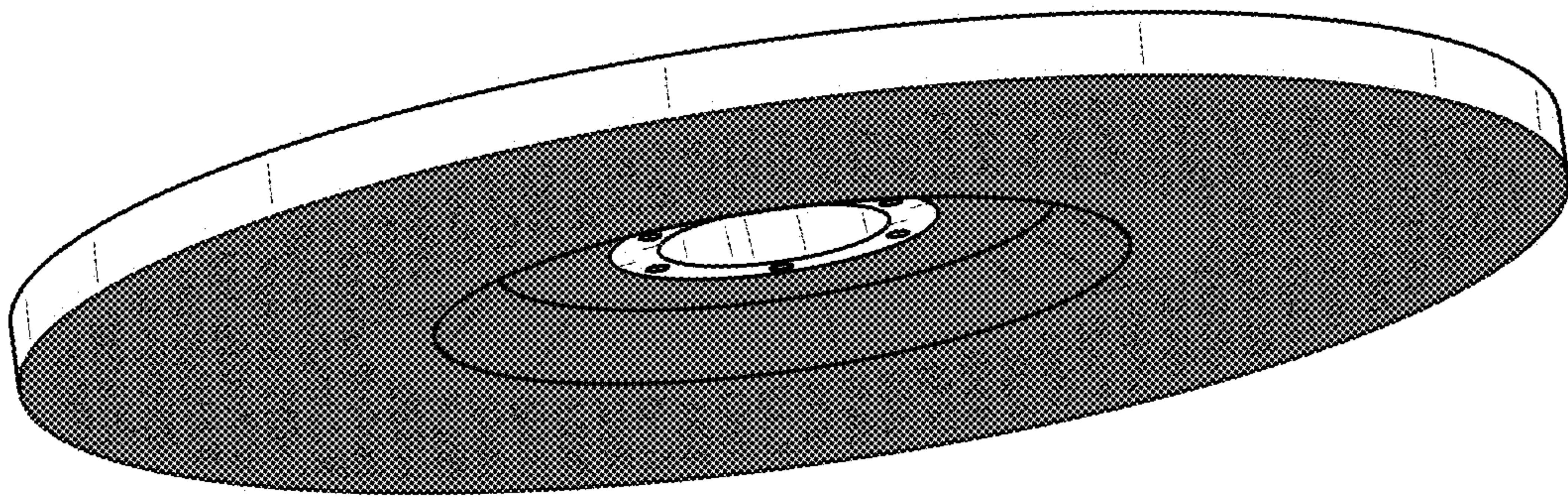


FIG. 32