



US00D921057S

(12) **United States Design Patent** (10) **Patent No.:** **US D921,057 S**
Price et al. (45) **Date of Patent:** **** Jun. 1, 2021**

(54) **EXCAVATOR**
(71) Applicant: **J.C. BAMFORD EXCAVATORS LIMITED**, Uttoxeter (GB)
(72) Inventors: **David Price**, Uttoxeter (GB); **Christopher Streat**, Uttoxeter (GB)
(73) Assignee: **J.C. BAMFORD EXCAVATORS LIMITED**, Uttoxeter (GB)
(**) Term: **15 Years**
(21) Appl. No.: **29/716,885**
(22) Filed: **Dec. 12, 2019**
(30) **Foreign Application Priority Data**

D538,304 S * 3/2007 Uemura D15/25
D590,847 S * 4/2009 Yonekura D15/25
D607,905 S * 1/2010 Reisenauer D15/30
D607,906 S * 1/2010 Reisenauer D15/33
D681,066 S * 4/2013 Saito D15/24
D681,689 S * 5/2013 Saito D15/24
D682,887 S * 5/2013 Iwata D15/25
D682,891 S * 5/2013 Kinoshita D15/25
D684,600 S * 6/2013 Saito D15/24
D687,865 S * 8/2013 Hatanaka D15/24
D716,844 S * 11/2014 Hayami D15/25
D750,672 S * 3/2016 Payne D15/25
D752,112 S * 3/2016 Hagura D15/24
D752,113 S * 3/2016 Hagura D15/24
D752,651 S * 3/2016 Hagura D15/24
D773,537 S * 12/2016 Fiser D15/30
D797,160 S * 9/2017 Yeu D15/30
D830,422 S * 10/2018 Colclough D15/24
D830,423 S * 10/2018 Colclough D15/25
D830,424 S * 10/2018 Colclough D15/25

(Continued)

Jun. 26, 2019 (WO) DM/202358
(51) **LOC (13) Cl.** **12-09**
(52) **U.S. Cl.**
USPC **D15/25**

Primary Examiner — Mark A Goodwin

(74) *Attorney, Agent, or Firm* — Marshall, Gerstein & Borun LLP

(58) **Field of Classification Search**
USPC D15/10, 22–26, 28, 30; 180/89.1, 89.12, 180/89.13, 900, 9.1, 9.2, 9.62; 37/379; 414/694, 699, 722–724, 660, 685, 698, 414/719, 743
CPC E02F 3/32; E02F 3/76; E02F 3/40; E02F 3/325; E02F 3/352; E02F 3/384; E02F 3/425; E02F 3/437; E02F 3/627; E02F 3/964; E02F 9/163; E02F 9/0858; E02F 9/0875; E02F 9/2045; E02F 9/006; E02F 9/0808; E02F 9/0833; E02F 9/2004; E02F 9/207; E02F 9/2091; E02F 9/2246; E02F 9/2292; E02F 9/0086; E02F 9/18; F01N 13/001; F01N 2590/08
See application file for complete search history.

(57) **CLAIM**

The ornamental design for an excavator, as shown and described.

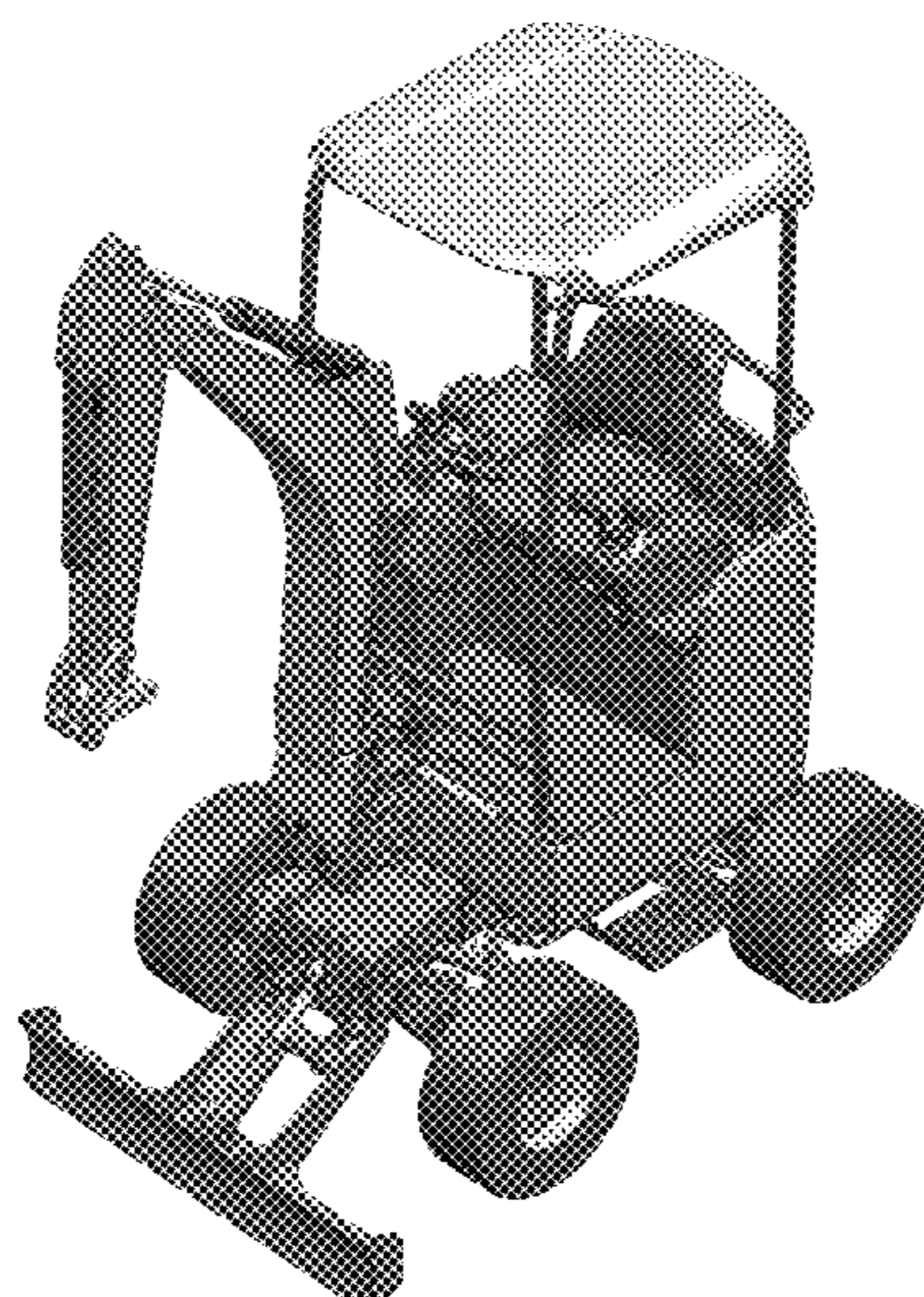
DESCRIPTION

FIG. 1 is a top, front, and right-side isometric view of an excavator showing the new design.
FIG. 2 is a right-side elevation view of the excavator.
FIG. 3 is a front elevation view of the excavator.
FIG. 4 is a left-side elevation view of the excavator.
FIG. 5 is a rear elevation view of the excavator.
FIG. 6 is a top plan view of the excavator; and,
FIG. 7 is a bottom plan view of the excavator.

(56) **References Cited**
U.S. PATENT DOCUMENTS

D474,481 S * 5/2003 Hara D15/25
D511,531 S * 11/2005 Sewell D15/24

1 Claim, 7 Drawing Sheets



(56)

References Cited

U.S. PATENT DOCUMENTS

D830,425 S *	10/2018	Colclough	D15/25
D830,426 S *	10/2018	Colclough	D15/25
D842,344 S *	3/2019	Okuyama	D15/23
D851,133 S *	6/2019	Jilbert	D15/25
D851,134 S *	6/2019	Jilbert	D15/25
D851,135 S *	6/2019	Jilbert	D15/25
D852,852 S *	7/2019	Jilbert	D15/25
D855,082 S *	7/2019	Okuyama	D15/25

* cited by examiner

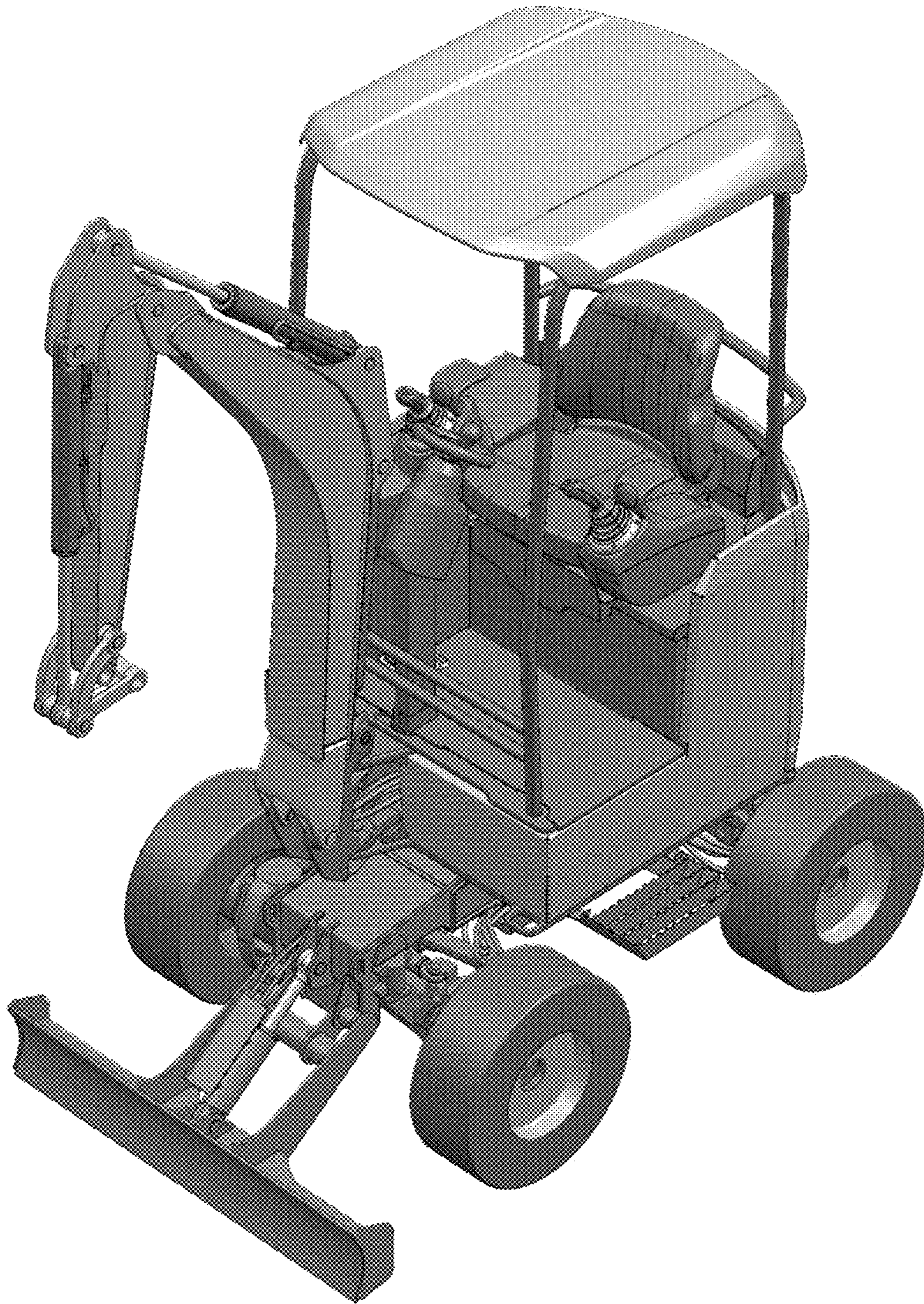


Fig. 1

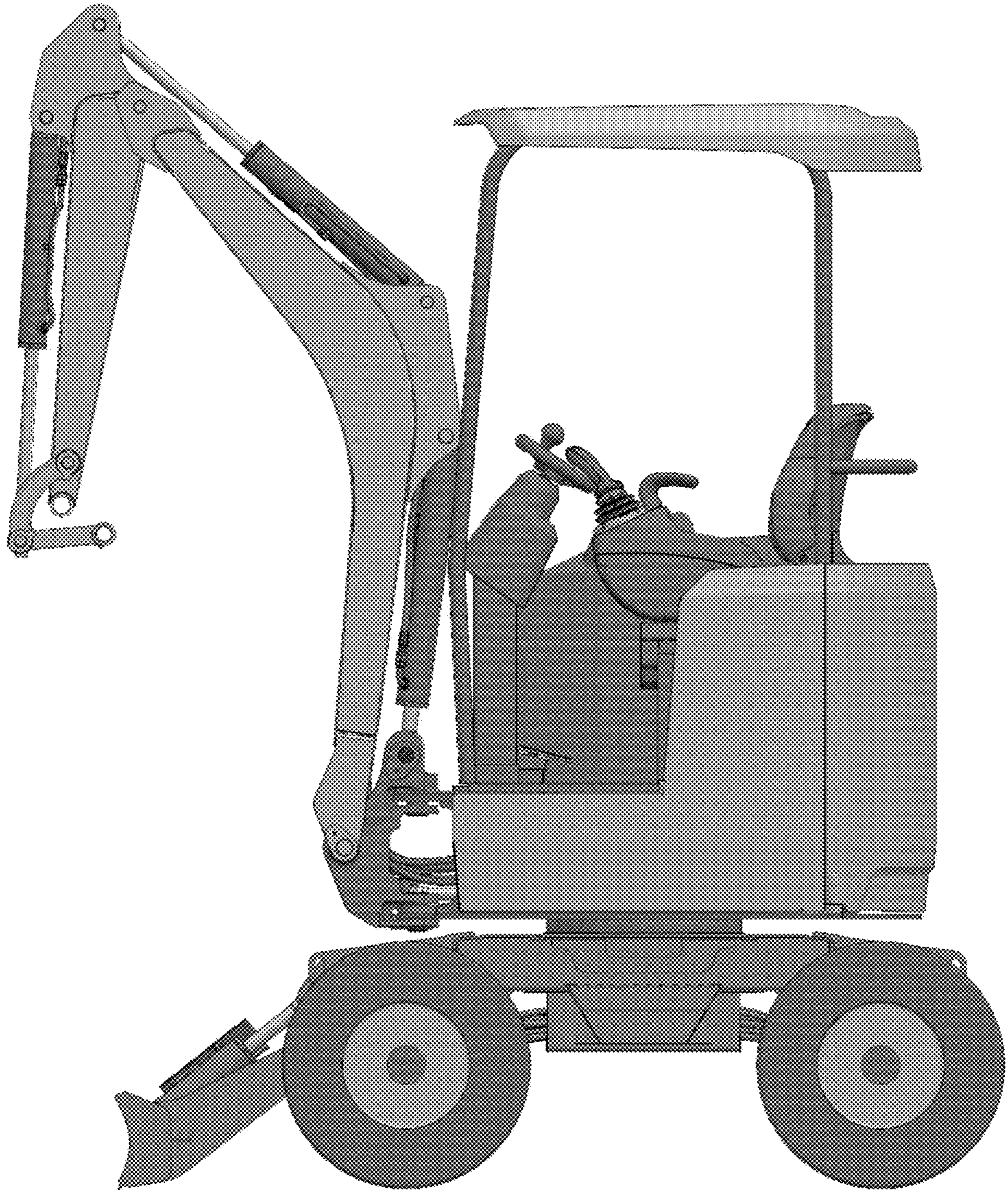


Fig. 2

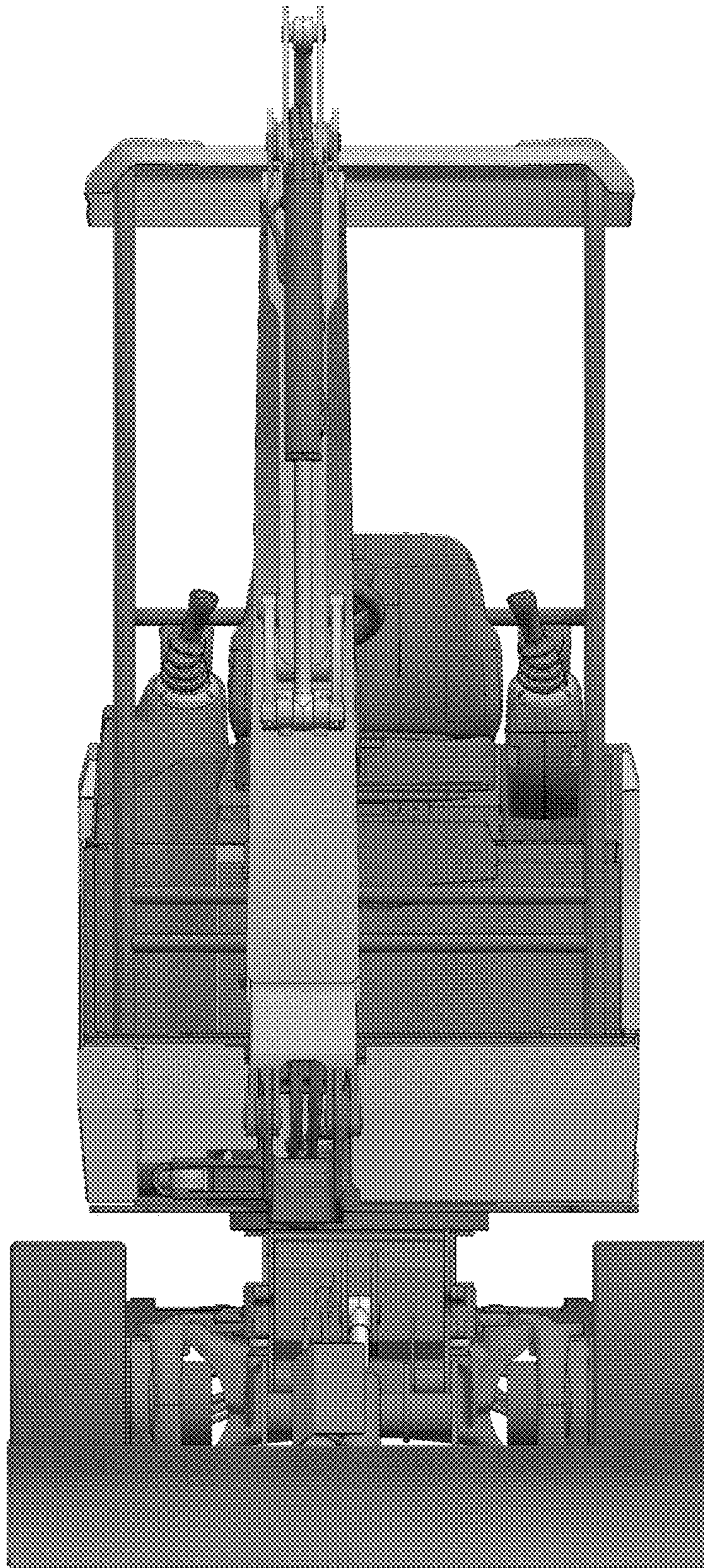


Fig. 3



Fig. 4

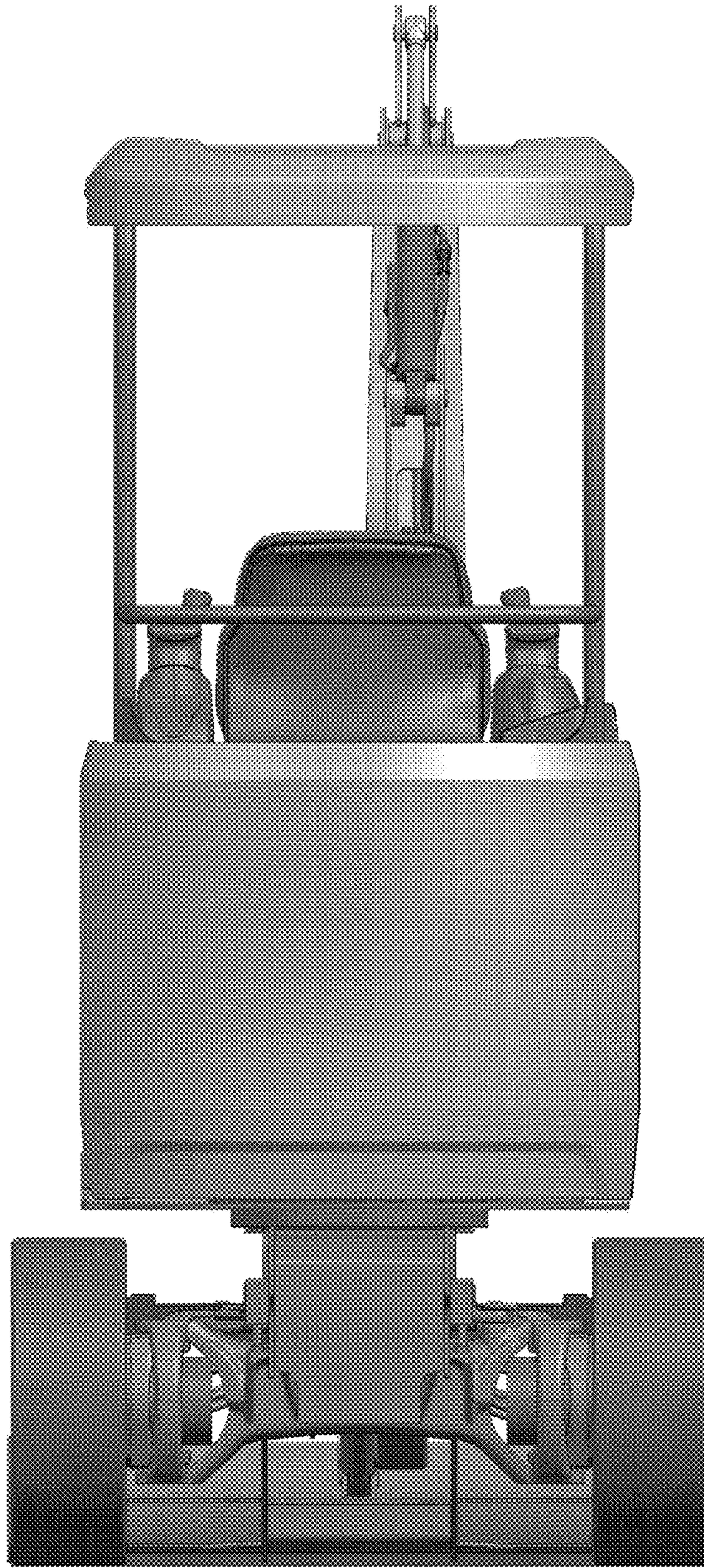


Fig. 5

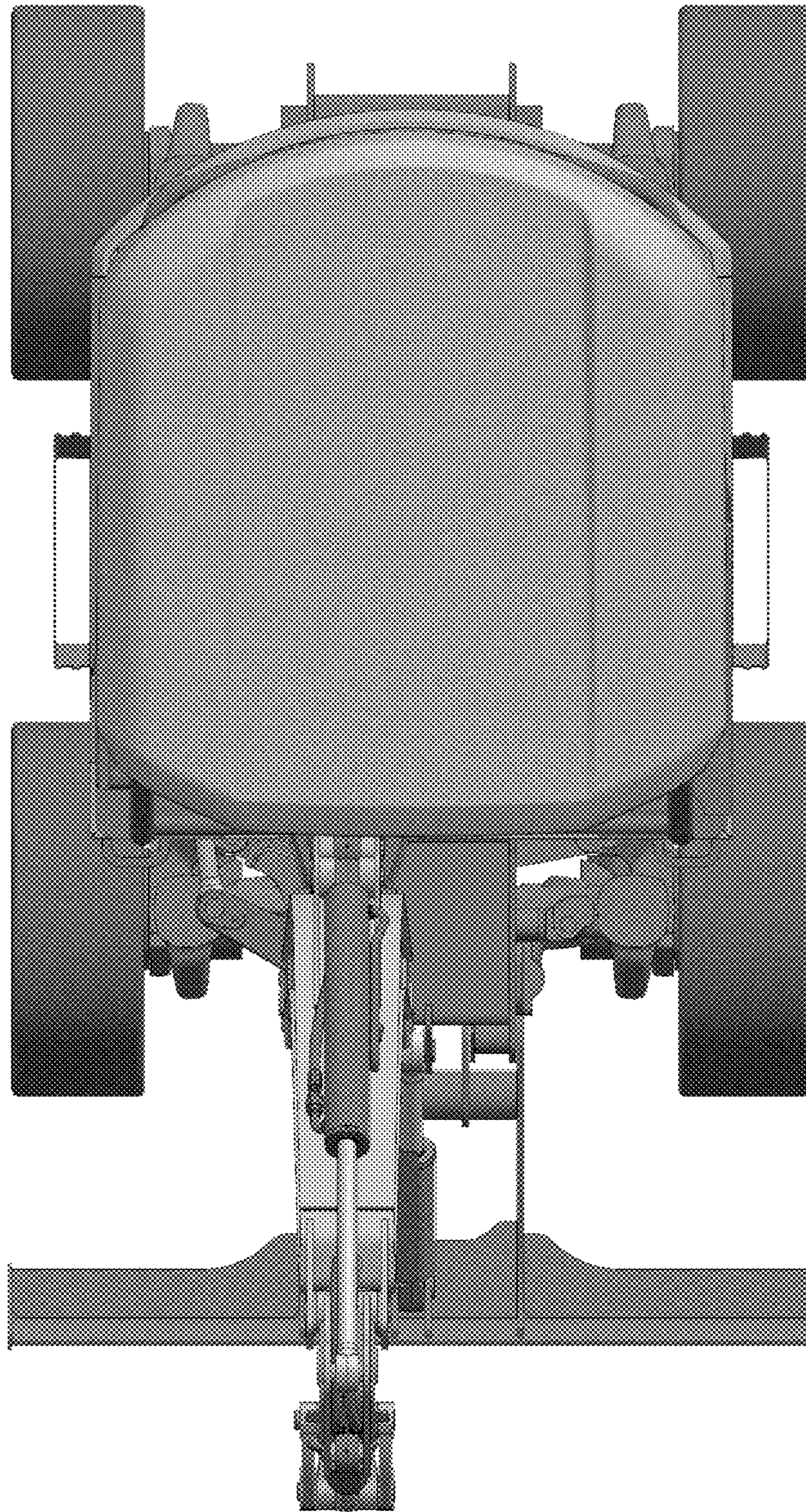


Fig. 6

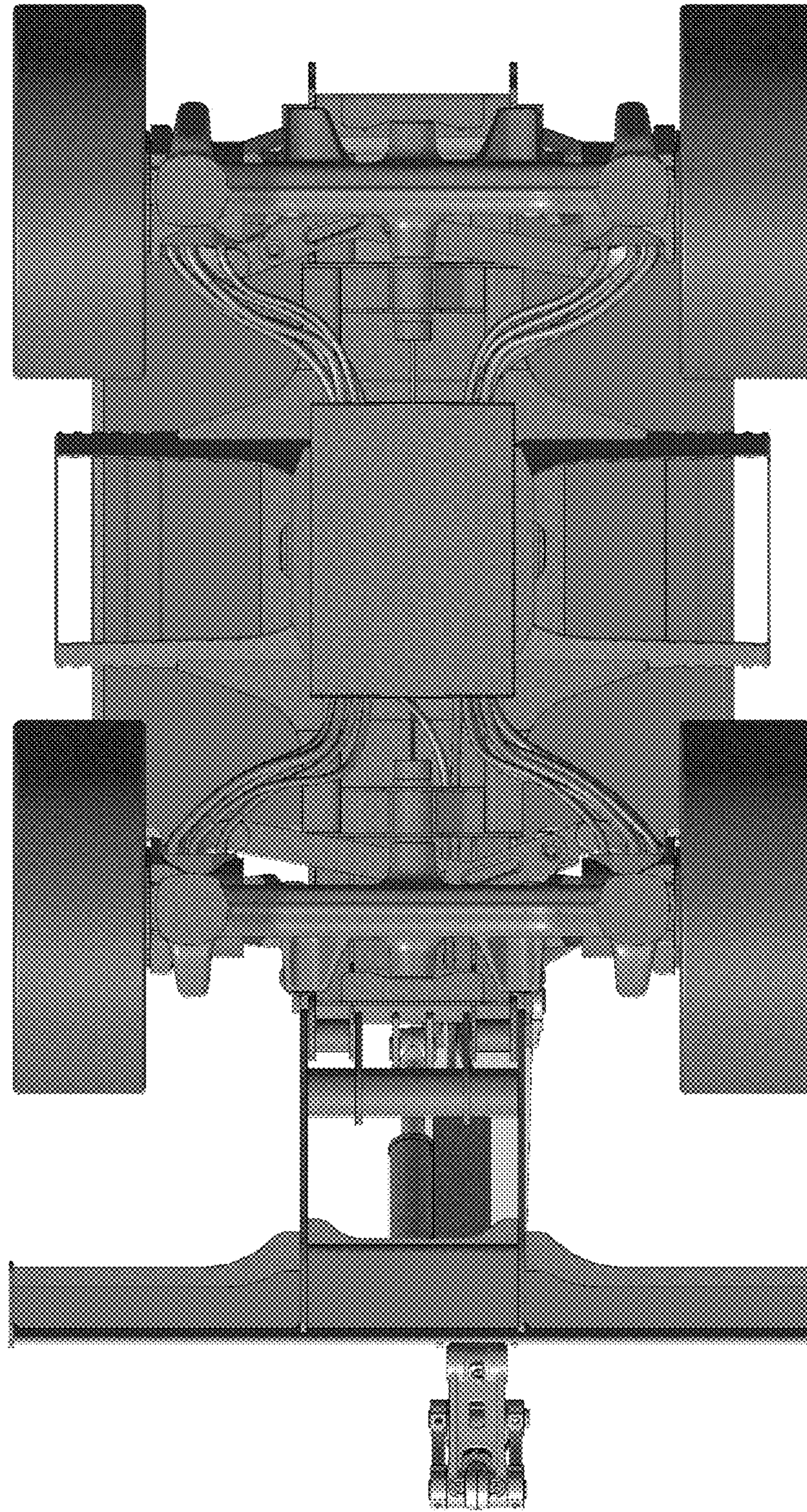


Fig. 7