



US00D921056S

(12) **United States Design Patent**
Vallat

(10) **Patent No.:** **US D921,056 S**
(45) **Date of Patent:** **** Jun. 1, 2021**

- (54) **AGRICULTURAL ROBOT**
- (71) Applicant: **EcoRobotix SA**, Yverdon-les-Bains (CH)
- (72) Inventor: **Philippe Vallat**, Crissier (CH)
- (**) Term: **15 Years**
- (21) Appl. No.: **35/509,009**
- (22) Filed: **Oct. 9, 2019**
- (80) **Hague Agreement Data**
 Int. Filing Date: **Oct. 9, 2019**
 Int. Reg. No.: **DM/205984**
 Int. Reg. Date: **Oct. 9, 2019**
 Int. Reg. Pub. Date: **Apr. 10, 2020**
- (51) **LOC (13) Cl.** **12-09**
- (52) **U.S. Cl.**
 USPC **D15/24**
 CPC **A01M 21/02** (2013.01)
- (58) **Field of Classification Search**
 USPC D15/10, 21-26, 11, 12; 56/14.7, 13.3,
 56/13.4, 16.1, 17.6, 15.8, 25.9, 255, 294,
 56/320.1, 320.2
 CPC A01M 21/02; A01M 21/043; G06K
 9/00671; B25J 9/1694; B25J 9/1679
 See application file for complete search history.

- (56) **References Cited**
 U.S. PATENT DOCUMENTS
 D195,254 S * 5/1963 Keller et al. D15/25
 3,828,952 A * 8/1974 Klee B60P 1/50
 414/697
 D294,032 S * 2/1988 Whiffin D12/15
 D359,497 S * 6/1995 Rayner D15/25
 5,451,135 A * 9/1995 Schempf B08B 9/0933
 165/11.2
 D375,506 S * 11/1996 Bastian D15/24
 D428,425 S * 7/2000 Ratcliffe D12/14
 D431,574 S * 10/2000 Porter D15/25

- D438,218 S * 2/2001 McIlwraith D15/25
- 6,397,967 B1 * 6/2002 McIlwraith E02F 9/0866
 180/308
- D460,463 S * 7/2002 Kubo D15/26
- D463,454 S * 9/2002 Miller D15/22
- D476,340 S * 6/2003 Niebuhr D15/10
- D482,701 S * 11/2003 Bares D15/24
- D488,487 S * 4/2004 Isayama D15/28
- D516,587 S * 3/2006 Bares D15/23
- D555,673 S * 11/2007 Hendron D15/22
- D561,785 S * 2/2008 Imashige D15/24
- D587,727 S * 3/2009 Vos B62D 55/065
 D15/24
- D614,204 S * 4/2010 Thompson D15/25
- D631,898 S * 2/2011 Major D15/24
- D634,757 S * 3/2011 Mack D15/10
- D657,394 S * 4/2012 Chapman D15/10
- D685,394 S * 7/2013 Nagata D15/24
- D707,261 S * 6/2014 Caboret D15/24
- D734,211 S * 7/2015 Ahn D12/86
- 9,265,187 B2 * 2/2016 Cavender-Bares
 G05D 1/0088
- 9,288,938 B2 * 3/2016 Cavender-Bares ... A01B 19/00
- D760,809 S * 7/2016 Nicholson D15/26
- 9,392,743 B2 * 7/2016 Camacho-Cook A01C 7/06
- D763,928 S * 8/2016 Okuyama D15/25
- D786,312 S * 5/2017 Okuyama D15/24
- D808,441 S * 1/2018 Brueggen D15/24
- D808,442 S * 1/2018 Brueggen D15/24
- D809,570 S * 2/2018 Brueggen D15/24

(Continued)

Primary Examiner — Richard E Chilcot

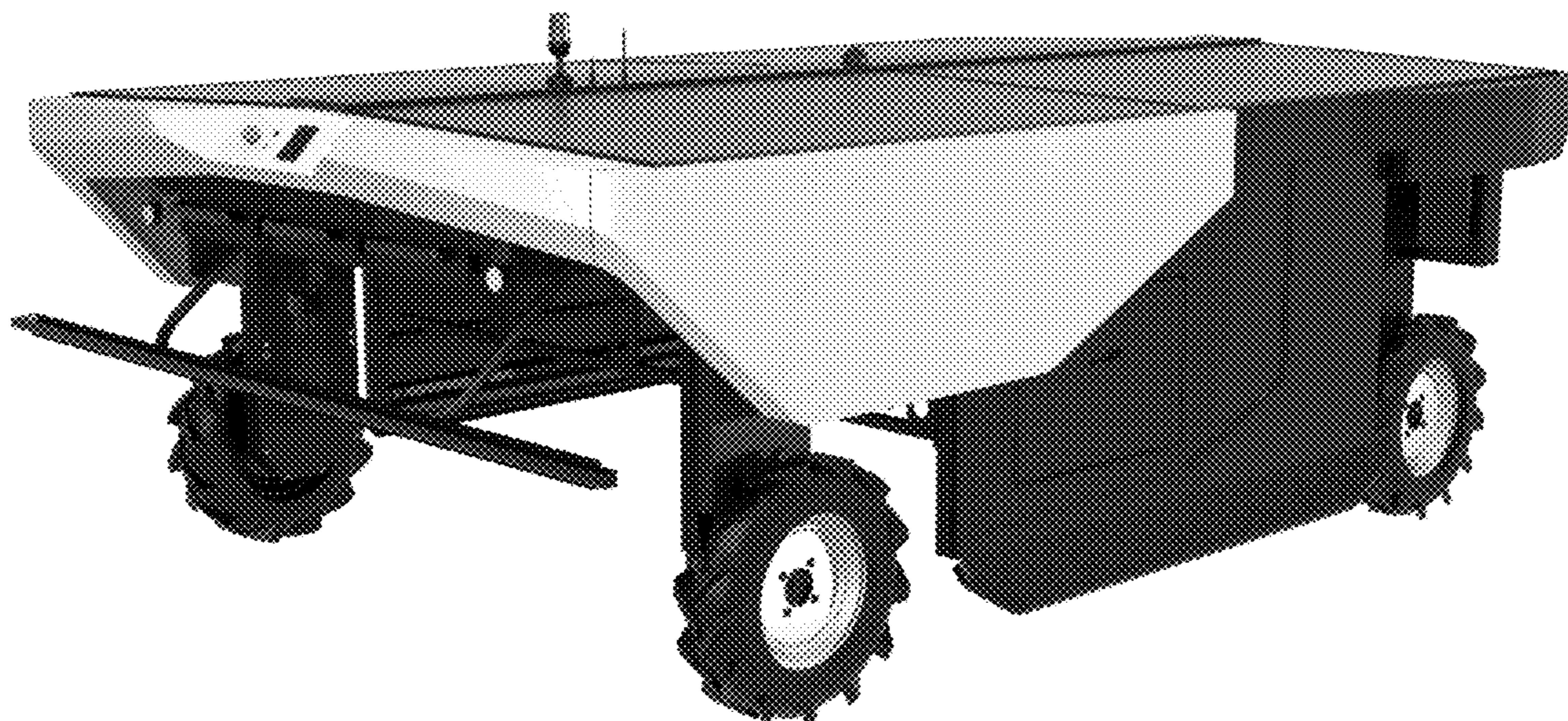
(57) **CLAIM**

The ornamental design for agricultural robot, as shown and described.

DESCRIPTION

1. Agricultural robot
FIG. 1.1 is a front perspective view of an agricultural robot showing the new design;
FIG. 1.2 is a right side elevation view thereof;
FIG. 1.3 is a top perspective view thereof;
FIG. 1.4 is a rear perspective view thereof.

1 Claim, 4 Drawing Sheets



(56)

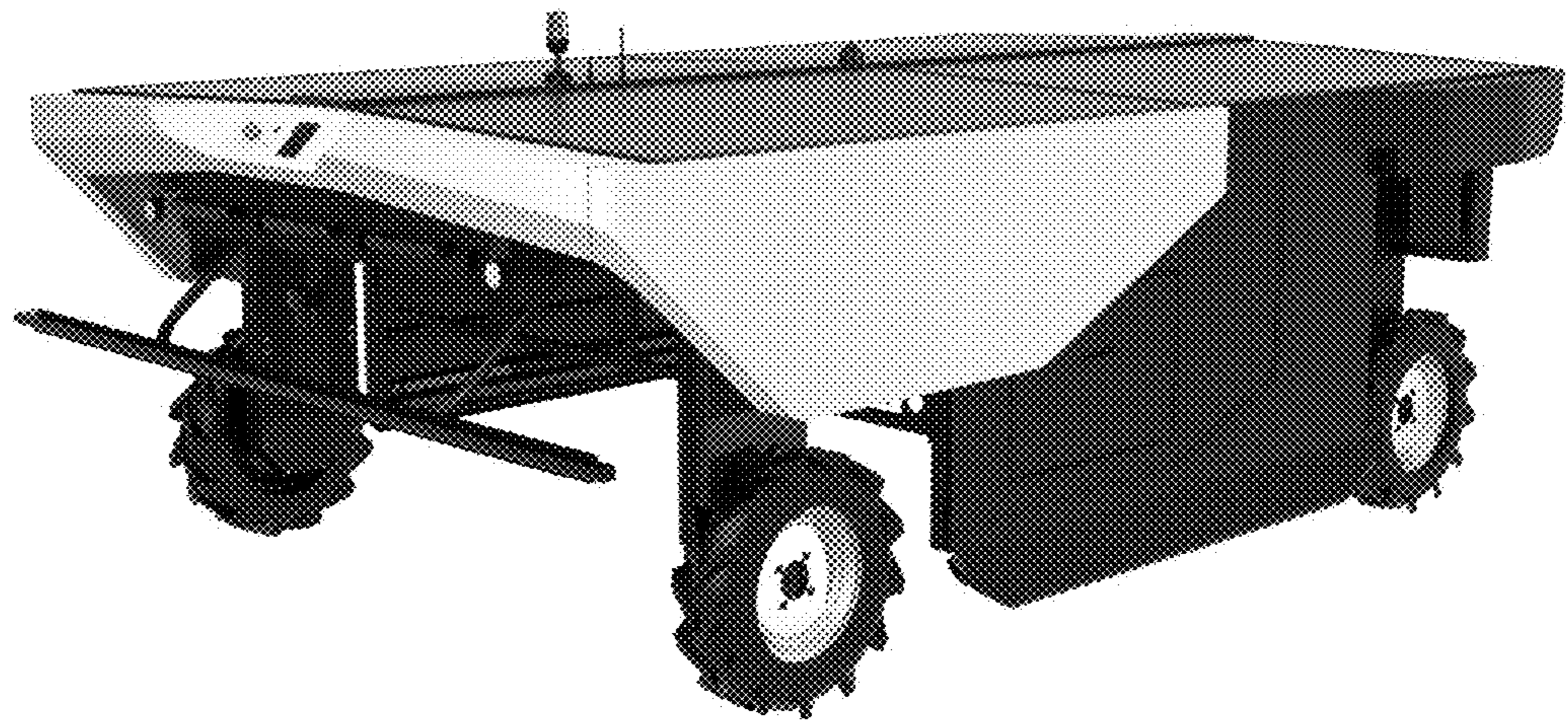
References Cited

U.S. PATENT DOCUMENTS

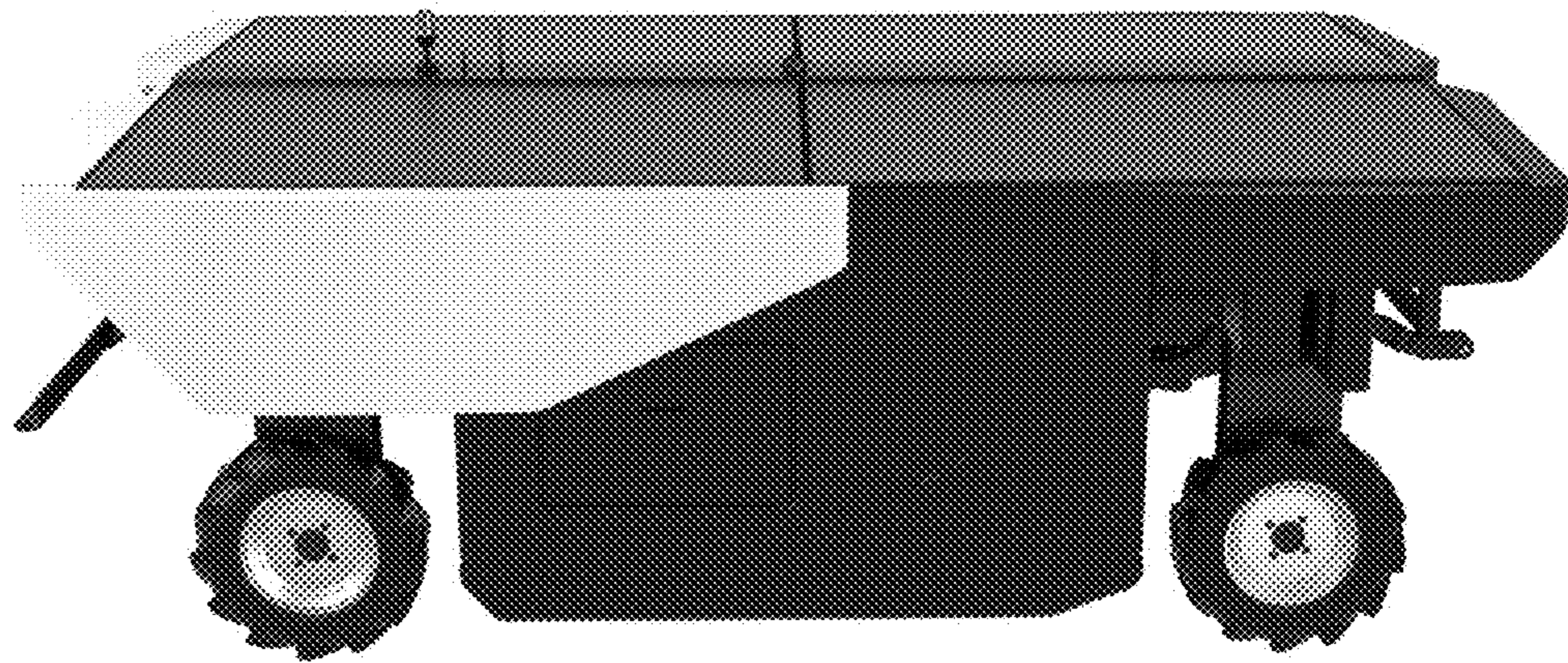
D826,992 S * 8/2018 Bolinder D15/10
D827,675 S * 9/2018 Bolinder D15/10
D827,676 S * 9/2018 Bolinder D15/10
2014/0031977 A1* 1/2014 Goldenberg B25J 5/005
700/245
2014/0303814 A1* 10/2014 Burema A01B 79/005
701/3
2015/0045992 A1* 2/2015 Ashby G05D 1/0287
701/2
2015/0105965 A1* 4/2015 Blackwell A01B 69/008
701/28
2015/0373905 A1* 12/2015 Anderson A01C 21/00
701/50
2018/0168141 A1* 6/2018 Tanner A01M 7/00
2020/0375093 A1* 12/2020 Matus B60W 60/0023

* cited by examiner

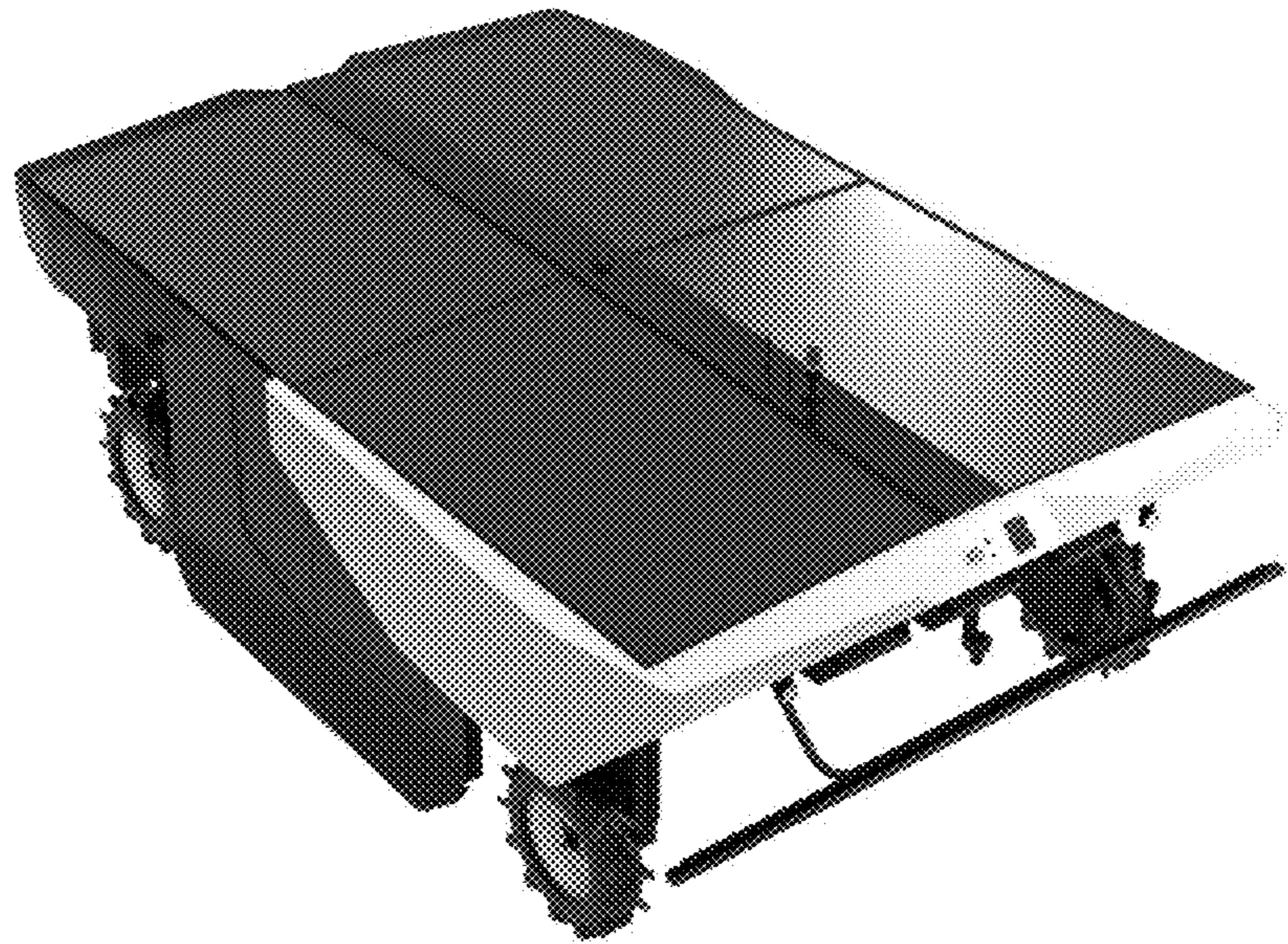
1.1



1.2



1.3



1.4

