



US00D921055S

(12) **United States Design Patent** (10) **Patent No.:** **US D921,055 S**
Römer et al. (45) **Date of Patent:** **** Jun. 1, 2021**

(54) **ROAD ROLLER**
(71) Applicant: **HAMM AG**, Tirschenreuth (DE)
(72) Inventors: **Axel Römer**, Tirschenreuth (DE);
Ulrich Ewringmann, Pöcking (DE);
Stefan Reber, Weiden (DE); **Markus**
Beese, Munich (DE); **Thomas Häring**,
Mähring (DE); **Gernot Reif**, Buckenhof
(DE); **Gerd Köstler**, Tirschenreuth
(DE)
(73) Assignee: **HAMM AG**, Tirschenreuth (DE)
(**) Term: **15 Years**
(21) Appl. No.: **29/707,229**
(22) Filed: **Sep. 26, 2019**

D500,329 S * 12/2004 Bauve D15/28
D516,094 S * 2/2006 Dotsch D15/20
D589,067 S * 3/2009 Yamamoto D15/20
D602,506 S * 10/2009 Marsolek D15/30
D611,505 S * 3/2010 Loew D15/20
D611,506 S * 3/2010 Loew D15/20
D668,269 S * 10/2012 Tezuka D15/20
D694,278 S * 11/2013 Ewringmann D15/20
D694,279 S * 11/2013 Ewringmann D15/20
D744,543 S * 12/2015 Loew D15/20
D745,063 S * 12/2015 Loew D15/20
D749,143 S * 2/2016 Erdmann D15/20
D765,735 S * 9/2016 Roemer D15/20
D772,781 S * 11/2016 Romer D12/401
D775,238 S * 12/2016 Roemer D15/28
D789,424 S * 6/2017 Roemer D15/20
D796,557 S * 9/2017 Loew D15/20
D799,557 S * 10/2017 Renz D15/20
D799,558 S * 10/2017 Renz D15/20
D799,559 S * 10/2017 Renz D15/20
D800,792 S * 10/2017 Loew D15/20

(Continued)

(30) **Foreign Application Priority Data**
Apr. 4, 2019 (EM) 006369245-0008
Apr. 4, 2019 (EM) 006369245-0009

Primary Examiner — Mark A Goodwin
(74) *Attorney, Agent, or Firm* — Greer, Burns & Crain,
Ltd.

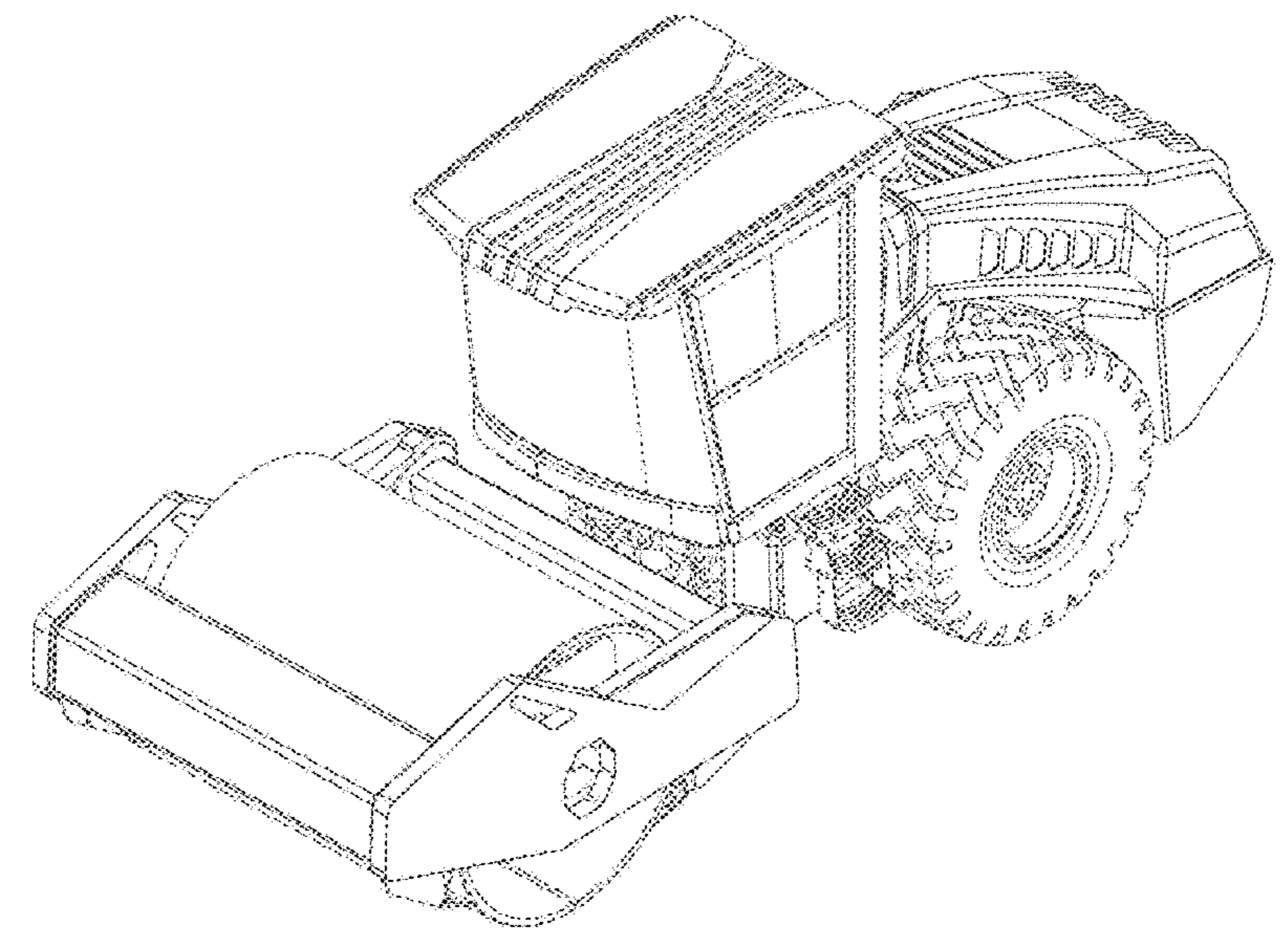
(51) **LOC (13) Cl.** **15-03**
(52) **U.S. Cl.**
USPC **D15/20**
(58) **Field of Classification Search**
USPC D15/10, 20, 22-26, 28, 30, 33; 180/20,
180/89.12; 280/104, 124.11; 404/122,
404/132, 125, 90
CPC E02D 3/026; E02D 3/00; E02D 3/074;
B30B 15/00; E01C 19/27; E01C 19/41;
E01C 19/22; E01C 19/38; E01C 19/286;
E01C 19/4853; E01C 19/238
See application file for complete search history.

(57) **CLAIM**
The ornamental design for the road roller, as shown and
described.

(56) **References Cited**
U.S. PATENT DOCUMENTS
D275,678 S * 9/1984 Mawhorr D15/20
D396,431 S * 7/1998 Lindgren D12/14

DESCRIPTION
FIG. 1 is a top perspective view of a road roller showing our
new design;
FIG. 2 is a top rear perspective view of the road roller of
FIG. 1;
FIG. 3 is a front view of same;
FIG. 4 is a rear view of the road roller of FIG. 1;
FIG. 5 is a left side view of the road roller of FIG. 1;
FIG. 6 is a right side view of same; and,
FIG. 7 is a top view of the road roller of FIG. 1.

1 Claim, 7 Drawing Sheets



(56)

References Cited

U.S. PATENT DOCUMENTS

D800,793 S	*	10/2017	Loew	D15/20
D800,794 S	*	10/2017	Loew	D15/20
D800,795 S	*	10/2017	Loew	D15/20
D819,704 S	*	6/2018	Loew	D15/20
D849,802 S	*	5/2019	Loew	D15/31
D853,450 S	*	7/2019	Loew	D15/20
D853,451 S	*	7/2019	Loew	D15/20

* cited by examiner

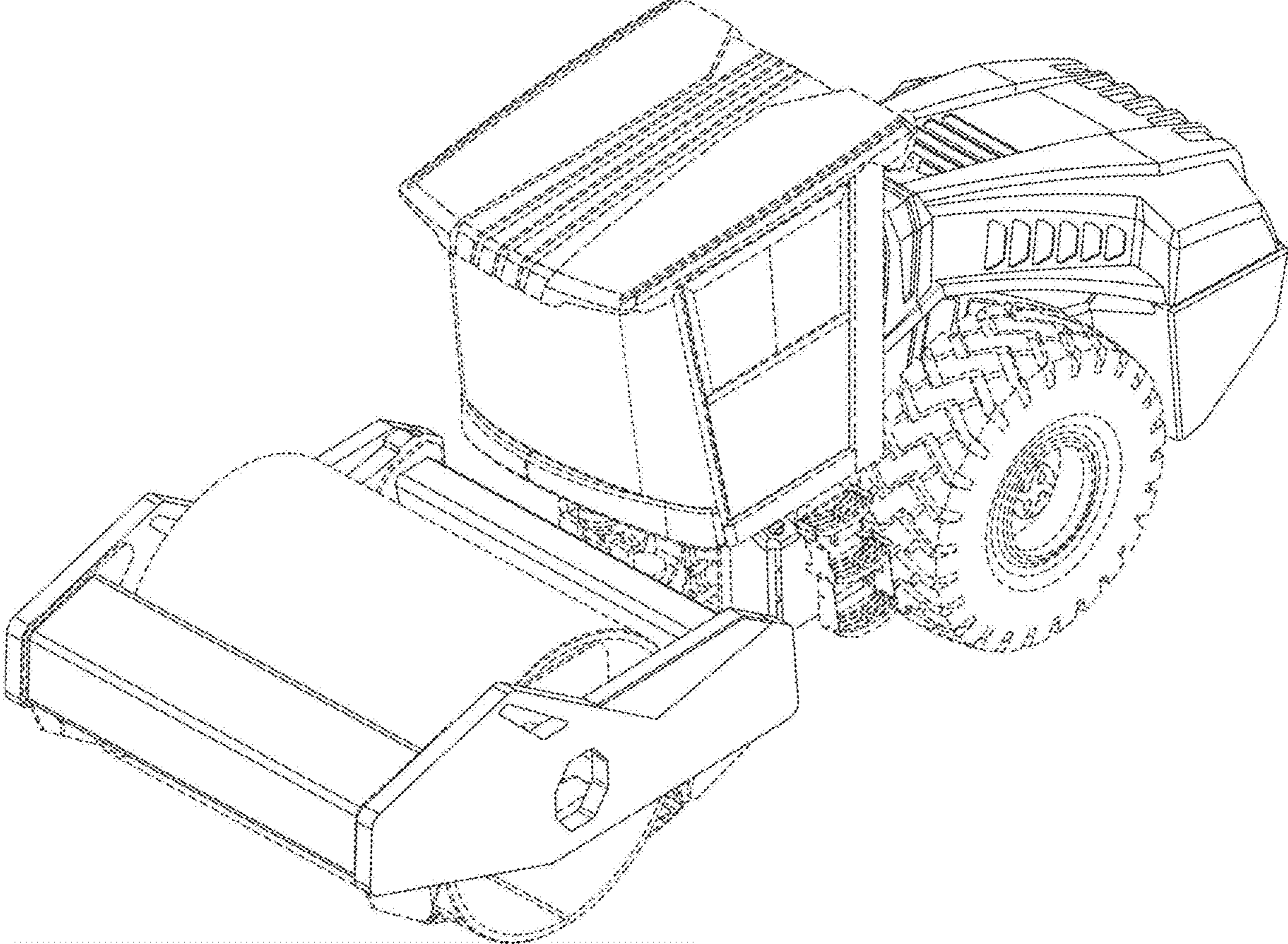


FIG. 1

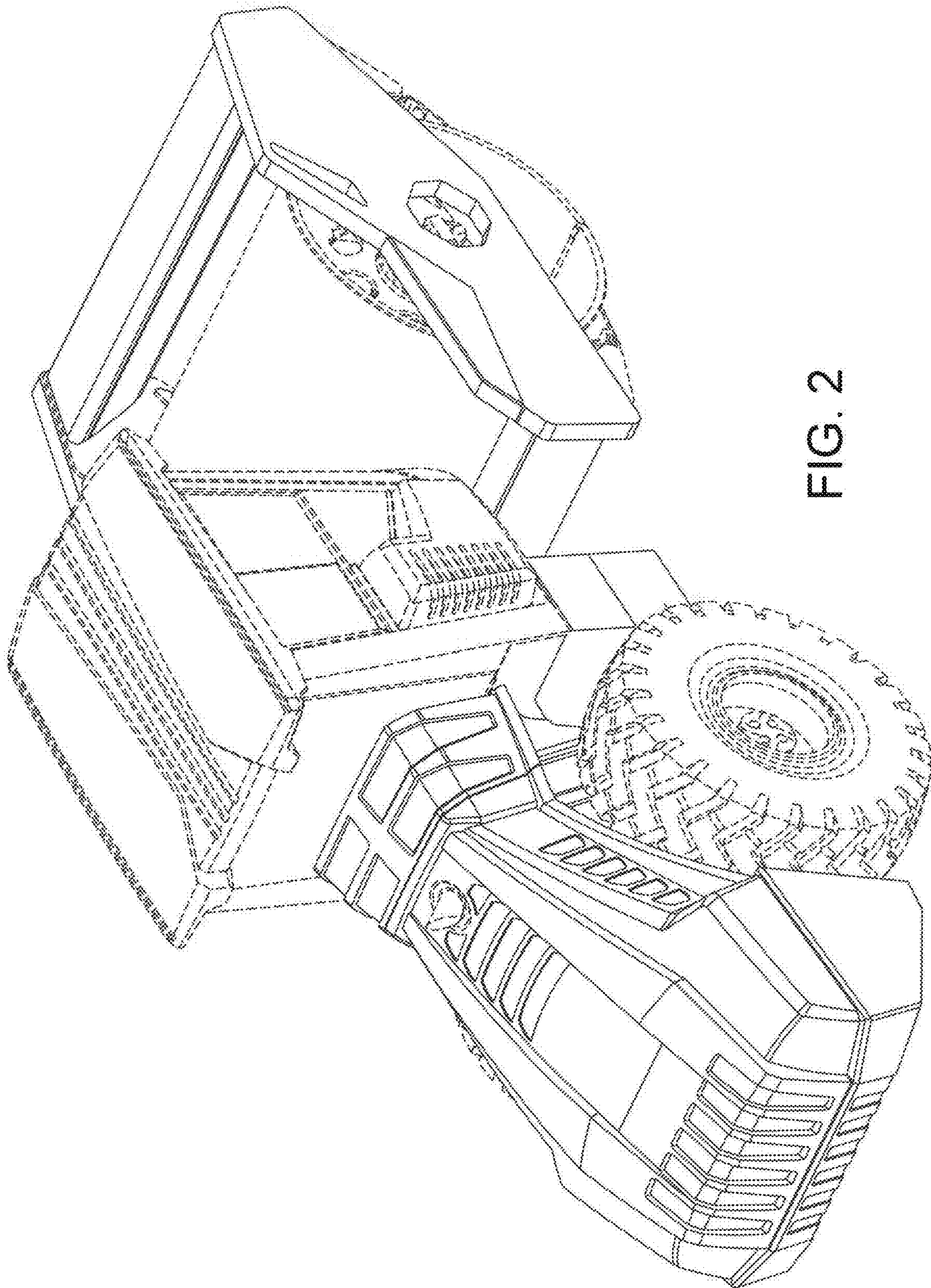


FIG. 2

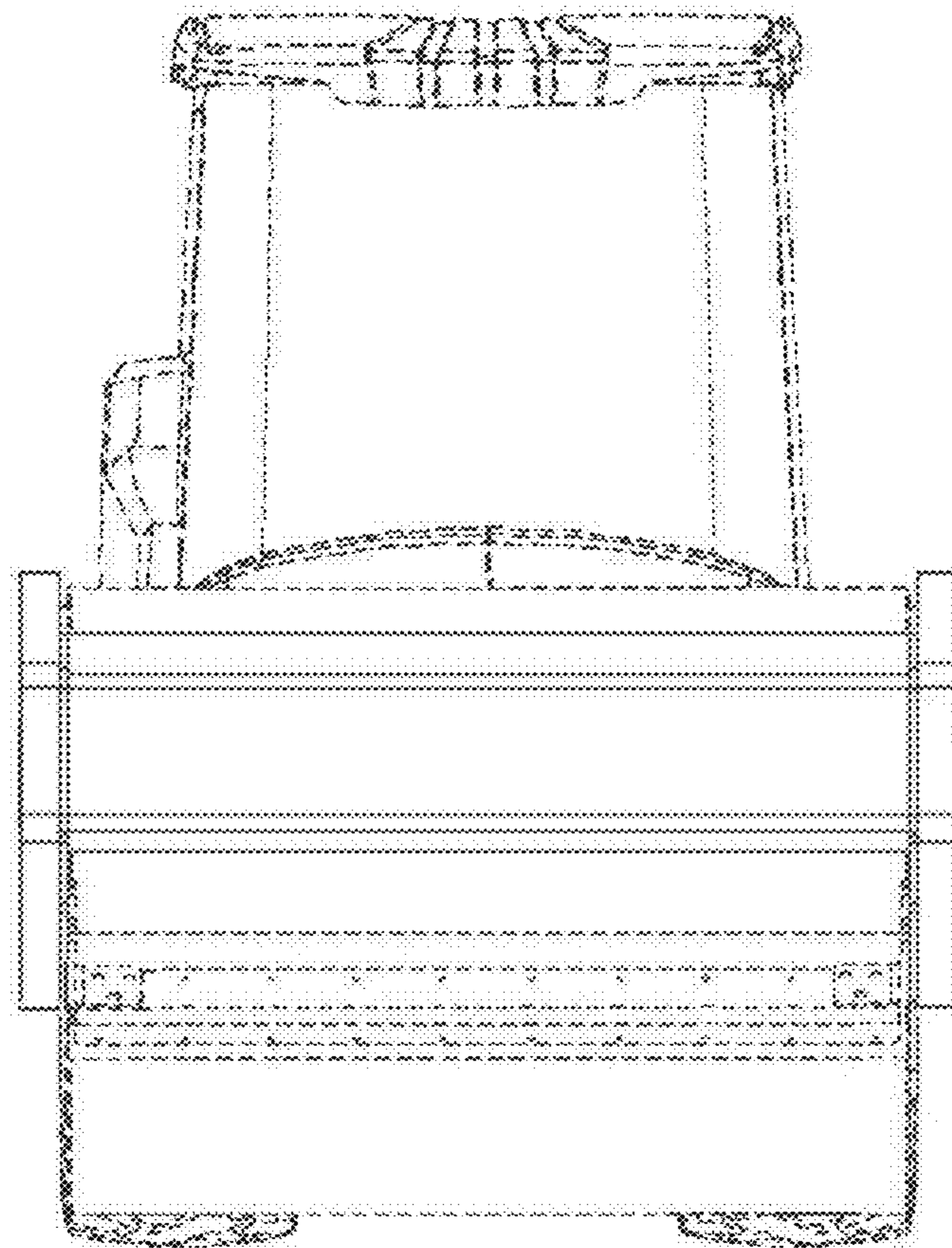


FIG. 3

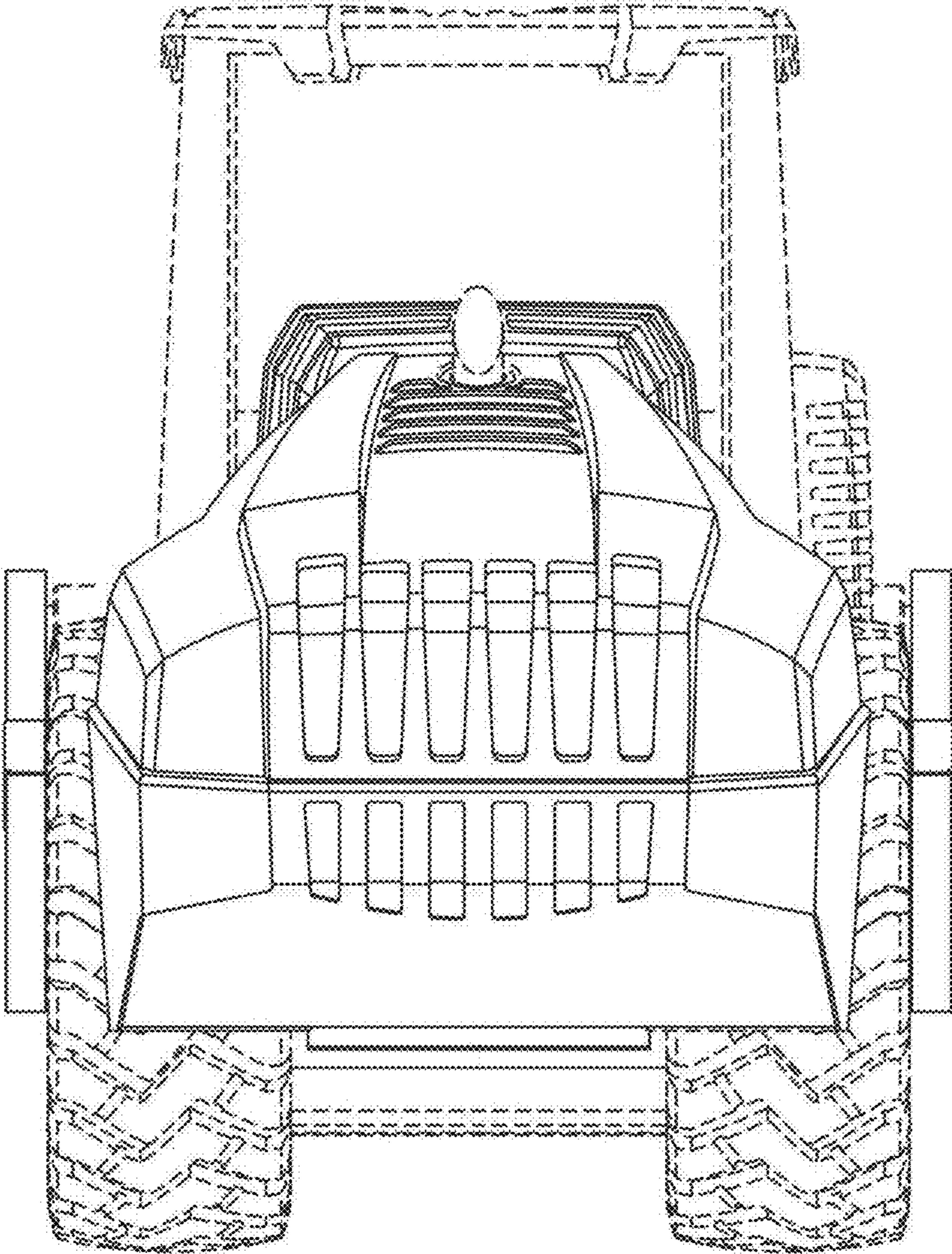


FIG. 4

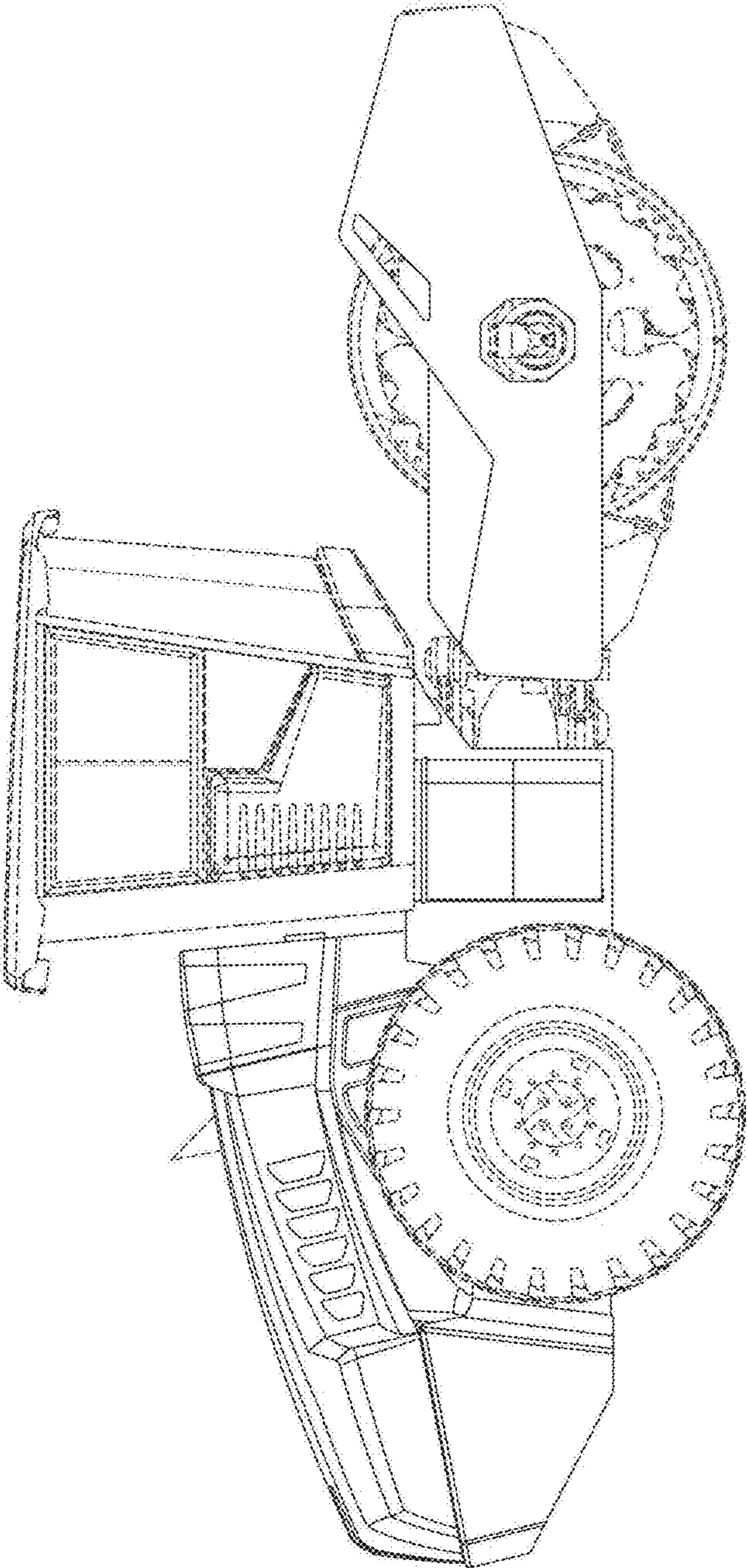


FIG. 5

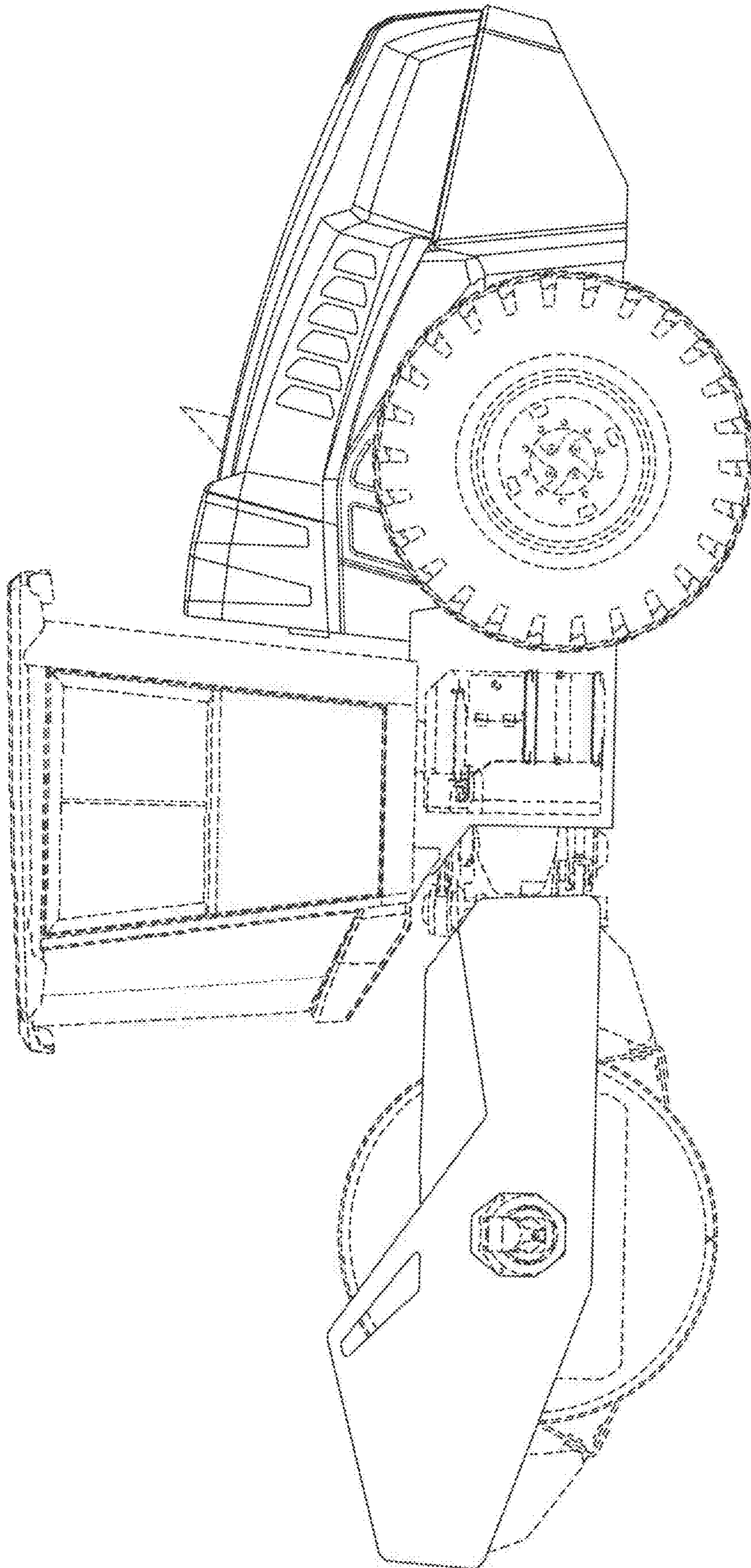


FIG. 6

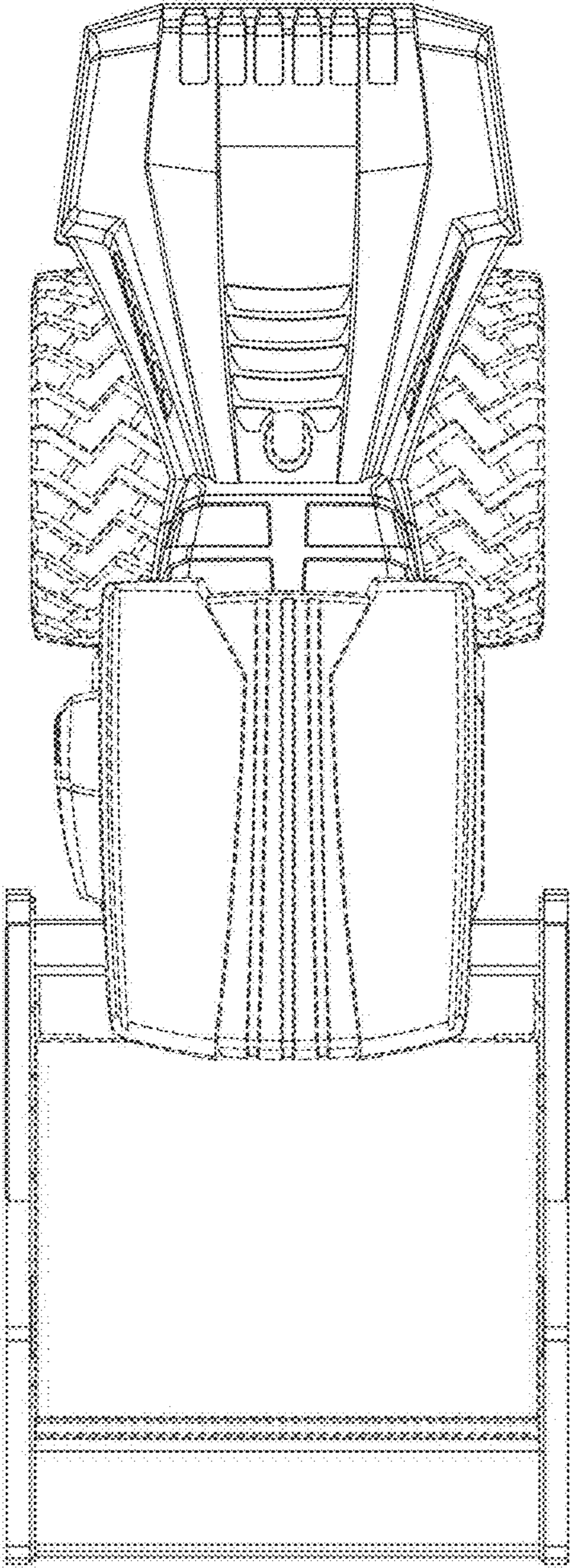


FIG. 7