



US00D921053S

(12) **United States Design Patent** (10) **Patent No.:** **US D921,053 S**  
**Volovsek et al.** (45) **Date of Patent:** **\*\* Jun. 1, 2021**

(54) **SNOWTHROWER**

FOREIGN PATENT DOCUMENTS

(71) Applicant: **THE TORO COMPANY**,  
Bloomington, MN (US)

WO WO 2010/095234 A1 8/2010  
WO WO 2013/173338 A1 11/2013

(72) Inventors: **Ryan J. Volovsek**, Inver Grove Heights,  
MN (US); **Philip C. Dretzka**,  
Woodbury, MN (US); **Nicholas J.**  
**Wersal**, St. Louis Park, MN (US);  
**Christina O. Howell**, Lonsdale, MN  
(US); **Brian M. Clemens**, Burnsville,  
MN (US)

OTHER PUBLICATIONS

U.S. Appl. No. 14/547,740, filed Nov. 19, 2014, Friberg et al.  
(Continued)

(73) Assignee: **EXMARK MANUFACTURING**  
**COMPANY, INCORPORATED**,  
Beatrice, NE (US)

*Primary Examiner* — Mark A Goodwin  
(74) *Attorney, Agent, or Firm* — Mueting Raasch Group

(\*\*) Term: **15 Years**

(57) **CLAIM**

The ornamental design for a snowthrower, as shown and described.

(21) Appl. No.: **29/717,868**

**DESCRIPTION**

(22) Filed: **Dec. 19, 2019**

(51) **LOC (13) Cl.** ..... **15-03**

(52) **U.S. Cl.**  
USPC ..... **D15/12**

(58) **Field of Classification Search**  
USPC ..... D15/10, 11, 12; 172/699  
CPC .. E01H 6/00; E01H 1/00; E01H 1/056; E01H  
1/05; E01H 1/0809; E01H 5/098; E01H  
5/045; E01H 5/061; E01H 5/10; E01H  
5/04;

FIG. 1 is a left front perspective view of a snowthrower in accordance with the claimed design;  
FIG. 2 is a right rear perspective view of the design of FIG. 1;  
FIG. 3 is a left side elevation view of the design of FIG. 1;  
FIG. 4 is a right side elevation view of the design of FIG. 1;  
FIG. 5 is a top plan view of the design of FIG. 1;  
FIG. 6 is a front elevation view of the design of FIG. 1; and,  
FIG. 7 is a rear elevation view of the design of FIG. 1.  
The bottom plan view of the design of FIG. 1 is omitted as it forms no part of the claimed design and/or is cumulative in view of the remaining figures.  
The dash-dash broken lines in the figures (including, e.g., the motor, the handle, the chute, the fasteners and openings for receiving such fasteners, etc.) represent unclaimed subject matter and form no part of the claimed design.  
The dot-dash broken lines in the figures immediately adjacent solid lines represent a boundary between claimed and unclaimed subject matter and form no part of the claimed design.  
The labels used herein to describe orientation (e.g., top, bottom, left, right) are merely for reference and are not intended to limit the interpretation of the design.

(Continued)

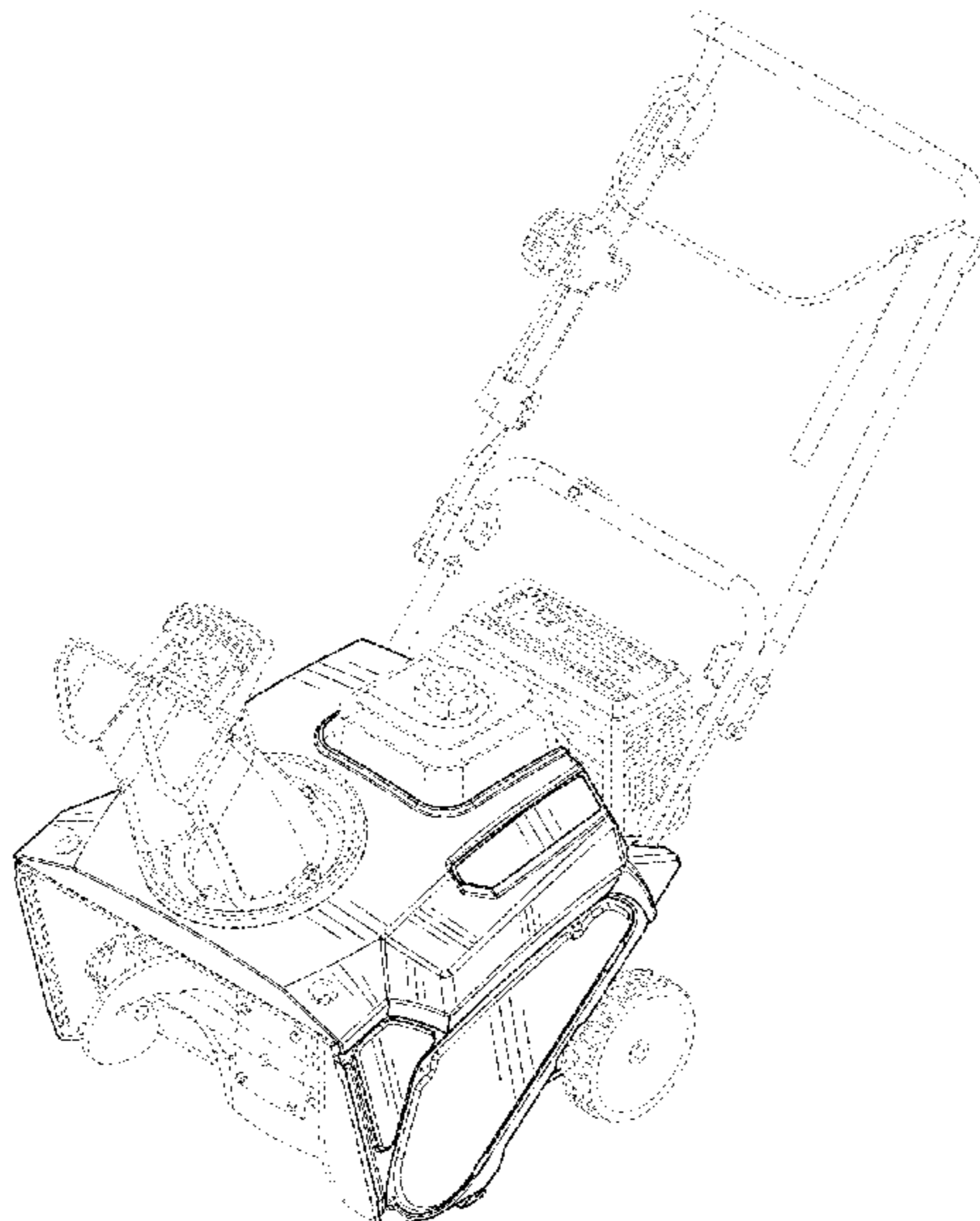
(56) **References Cited**

U.S. PATENT DOCUMENTS

1,601,718 A 10/1926 Buttweiler  
2,103,510 A 12/1937 Brown

(Continued)

**1 Claim, 7 Drawing Sheets**



(58) **Field of Classification Search**  
 CPC . E01H 5/09; E01H 5/06; E01H 5/066; E01H 5/02; E01H 5/065; E01H 5/062; E01H 5/063; E01H 5/067; A01D 42/08  
 See application file for complete search history.

(56) **References Cited**  
 U.S. PATENT DOCUMENTS

2,735,199 A 2/1956 Wanner et al.  
 2,768,453 A 10/1956 Adams, Jr.  
 3,115,714 A 12/1963 Johann  
 3,213,552 A 10/1965 Vanvick  
 3,239,954 A 3/1966 Brier  
 3,253,356 A 5/1966 Haban  
 3,359,661 A 12/1967 Speiser et al.  
 3,363,345 A 1/1968 Ober  
 3,423,857 A 1/1969 Ibisch  
 3,452,460 A 7/1969 Cope et al.  
 3,468,041 A 9/1969 Mattson et al.  
 3,488,869 A 1/1970 Heth et al.  
 3,548,522 A 12/1970 Roper  
 3,603,008 A 9/1971 Heth  
 3,774,321 A 11/1973 David  
 D229,848 S 1/1974 Mittelstadt et al.  
 3,913,247 A 10/1975 Ruhl  
 4,068,397 A 1/1978 Bacon  
 D251,786 S 5/1979 Wildgen  
 4,190,972 A 3/1980 Berner  
 4,203,237 A 5/1980 Enters et al.  
 D260,898 S 9/1981 Chieda et al.  
 4,294,027 A 10/1981 Edwards  
 4,295,285 A 10/1981 Stevens  
 4,300,295 A 11/1981 Heismann  
 D262,797 S 1/1982 Arthur et al.  
 4,322,896 A 4/1982 Miyazawa et al.  
 4,325,195 A 4/1982 Comer  
 4,346,526 A 8/1982 Mattson et al.  
 4,360,983 A 11/1982 Krug  
 D267,953 S 2/1983 Berner  
 4,378,644 A 4/1983 Tuggle et al.  
 D269,092 S 5/1983 Davies, III  
 D270,057 S 8/1983 Nakamura  
 4,397,088 A 8/1983 Hampel  
 4,476,643 A 10/1984 Hilchey et al.  
 D278,537 S 4/1985 Krapowicz et al.  
 4,694,594 A \* 9/1987 Thorud ..... E01H 5/04  
 37/244  
 4,756,101 A 7/1988 Friberg et al.  
 4,862,607 A 9/1989 Wacker  
 D305,125 S 12/1989 Hinklin  
 4,899,471 A 2/1990 Sasaki et al.  
 4,908,968 A 3/1990 Thorud et al.  
 D307,912 S 5/1990 Yoshida et al.  
 4,951,403 A 8/1990 Olmr  
 D314,775 S 2/1991 Yoshida et al.  
 RE33,726 E 10/1991 Thorud et al.  
 D320,993 S 10/1991 Pink et al.  
 5,052,135 A 10/1991 Fontaine  
 5,083,387 A 1/1992 Tillotson et al.  
 D324,524 S 3/1992 Beihoffer  
 D326,457 S 5/1992 Pink et al.  
 5,127,174 A 7/1992 Takeshita  
 5,177,888 A 1/1993 Thorud et al.  
 5,315,771 A 5/1994 White, III et al.  
 5,398,431 A 3/1995 Beihoffer et al.  
 5,758,436 A \* 6/1998 Harms ..... E01H 5/04  
 37/249  
 5,966,846 A 10/1999 Harms et al.  
 6,170,179 B1 1/2001 Paytas et al.  
 D448,389 S 9/2001 Katoh et al.  
 6,327,798 B1 12/2001 Sakai et al.  
 D457,171 S 5/2002 Fowler  
 6,470,602 B2 10/2002 White, III et al.  
 6,745,548 B1 6/2004 Phillip et al.

D494,193 S 8/2004 Martin et al.  
 D498,770 S 11/2004 Yuzuriha  
 D500,053 S 12/2004 Yuzuriha et al.  
 6,865,826 B1 3/2005 Lakin  
 D519,127 S 4/2006 Shaffer et al.  
 7,032,333 B2 4/2006 Friberg et al.  
 D521,530 S 5/2006 Cohen  
 D524,824 S 7/2006 Shaffer et al.  
 7,257,909 B2 8/2007 Shaffer et al.  
 D554,155 S 10/2007 Yuzuriha  
 7,305,777 B2 12/2007 Kettering et al.  
 7,401,425 B2 7/2008 Friberg et al.  
 7,472,500 B2 1/2009 White, III  
 D603,428 S 11/2009 Tashiro et al.  
 7,624,521 B2 12/2009 White, III et al.  
 D642,595 S 8/2011 Martin et al.  
 D642,596 S \* 8/2011 Hinklin ..... D15/12  
 8,011,120 B1 9/2011 Hippie  
 D675,232 S \* 1/2013 Martin ..... D15/12  
 D676,876 S 2/2013 Martin et al.  
 D700,629 S 3/2014 Fujiki  
 D705,272 S 5/2014 Cmich et al.  
 9,096,980 B2 8/2015 Ricketts  
 9,096,981 B2 8/2015 Wians et al.  
 D743,445 S 11/2015 Cohen  
 9,399,846 B2 7/2016 Friberg  
 D776,721 S 1/2017 Martin et al.  
 D777,795 S 1/2017 Martin et al.  
 9,546,462 B2 1/2017 Friberg et al.  
 9,556,572 B2 1/2017 Duchscherer et al.  
 D786,940 S \* 5/2017 Dretzka ..... D15/11  
 D808,440 S \* 1/2018 Tucker ..... D15/11  
 D824,427 S \* 7/2018 Cohen ..... D15/12  
 2002/0020083 A1 \* 2/2002 White, III ..... E01H 5/062  
 37/244  
 2002/0170209 A1 11/2002 Ruebusch et al.  
 2003/0159317 A1 8/2003 Dowe et al.  
 2003/0226738 A1 12/2003 Eakins et al.  
 2004/0255492 A1 \* 12/2004 White, III ..... E01H 5/04  
 37/244  
 2008/0209771 A1 9/2008 Jerger  
 2013/0312566 A1 \* 11/2013 Shaffer ..... A01D 42/08  
 74/490.14  
 2014/0068976 A1 3/2014 Mast et al.  
 2014/0157633 A1 6/2014 Hansen et al.  
 2014/0237864 A1 8/2014 Gilpatrick et al.  
 2015/0240774 A1 \* 8/2015 Zeiler ..... E01H 5/098  
 37/259  
 2016/0138234 A1 \* 5/2016 Duchscherer ..... B62D 11/02  
 37/257  
 2016/0138235 A1 \* 5/2016 Friberg ..... E01H 5/098  
 37/260  
 2017/0152638 A1 \* 6/2017 Fu ..... E01H 5/098  
 2018/0051430 A1 \* 2/2018 Friberg ..... E01H 5/045

OTHER PUBLICATIONS

U.S. Appl. No. 14/547,812, filed Nov. 19, 2014, Friberg.  
 U.S. Appl. No. 14/547,653, filed Nov. 19, 2014, Duchscherer et al.  
 U.S. Appl. No. 29/539,495, filed Sep. 15, 2015, Martin et al.  
 U.S. Appl. No. 29/541,333, filed Oct. 2, 2015, Martin et al.  
 “Snowbound® 20 Snow Thrower: Reference Drawing and Parts List, Serial Nos. 31300-500001 & Up, 31300-600001 & Up, and 31300-700001 & Up;” Toro Manufacturing Corporation, Minneapolis, MN. 1963; 8 pages.  
 “Power Clear 721 R Snowthrower, Model No. 38741—Serial No. 315000001 and Up;” The Toro Company, Bloomington, MN. Form #3385-217 Rev A. 2014; 28 pages.  
 “Toro® Electric Snowthrowers: 1800 Power Curve®; 1200 Power Curve®; Electric Power Shovel™;” The Toro Company, Bloomington, MN. Form #4490-5760-C. 1995; 2 pages.  
 “Electric Snow Thrower—Model 050,” MTD LLC, Cleveland, OH. Operator’s Manual, Form #769-07058. Apr. 1, 2011, 20 pages.

\* cited by examiner

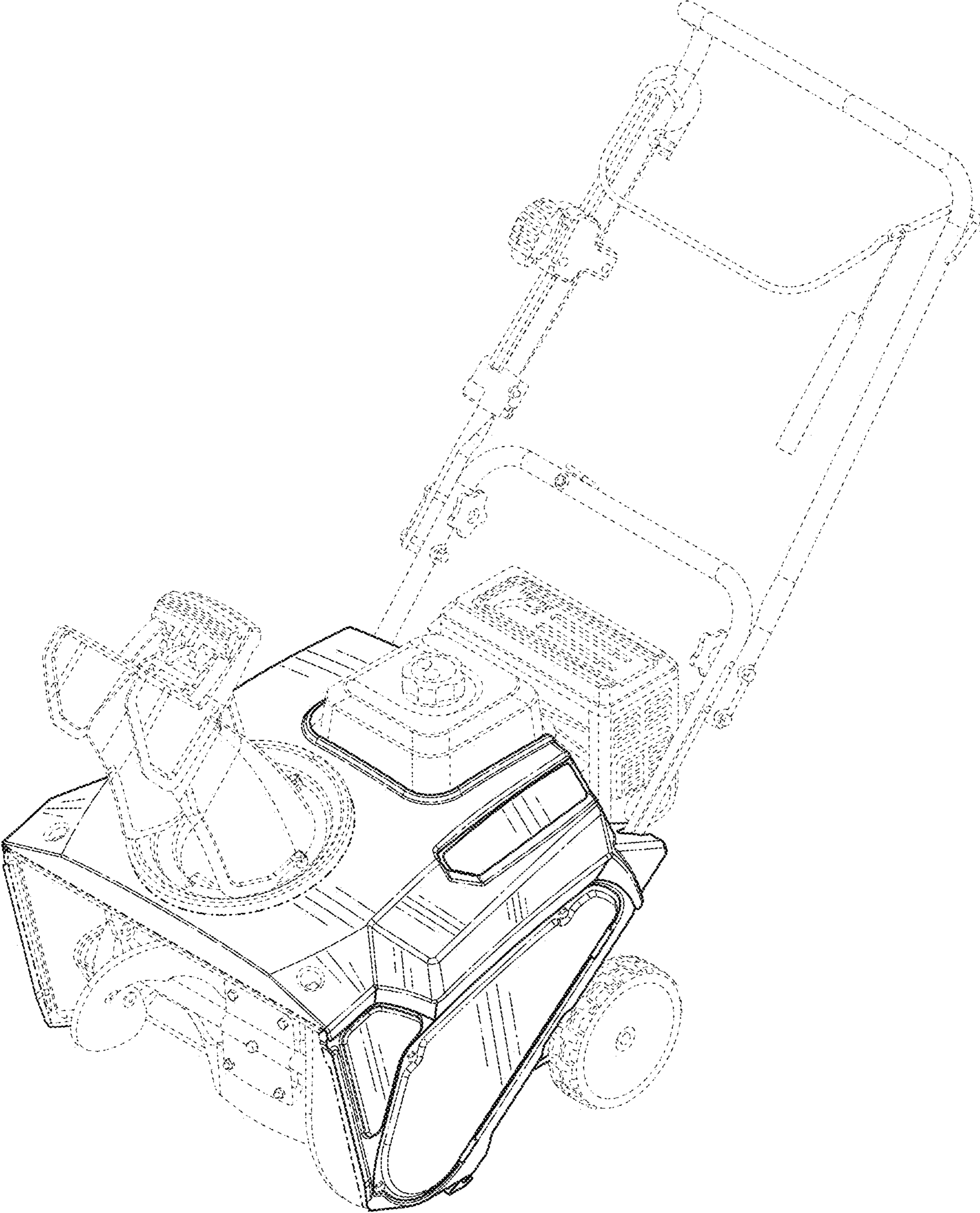


FIG. 1

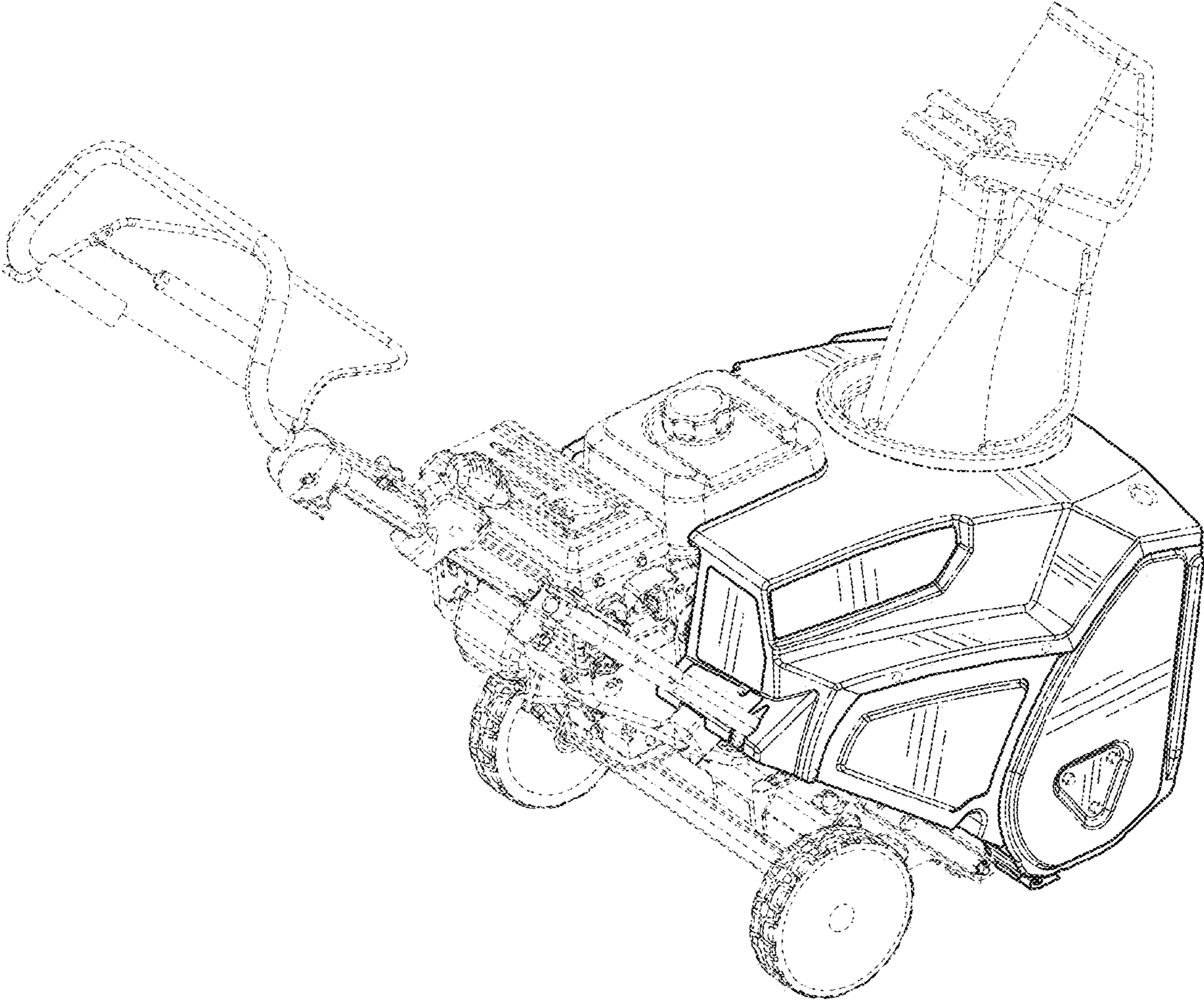


FIG. 2

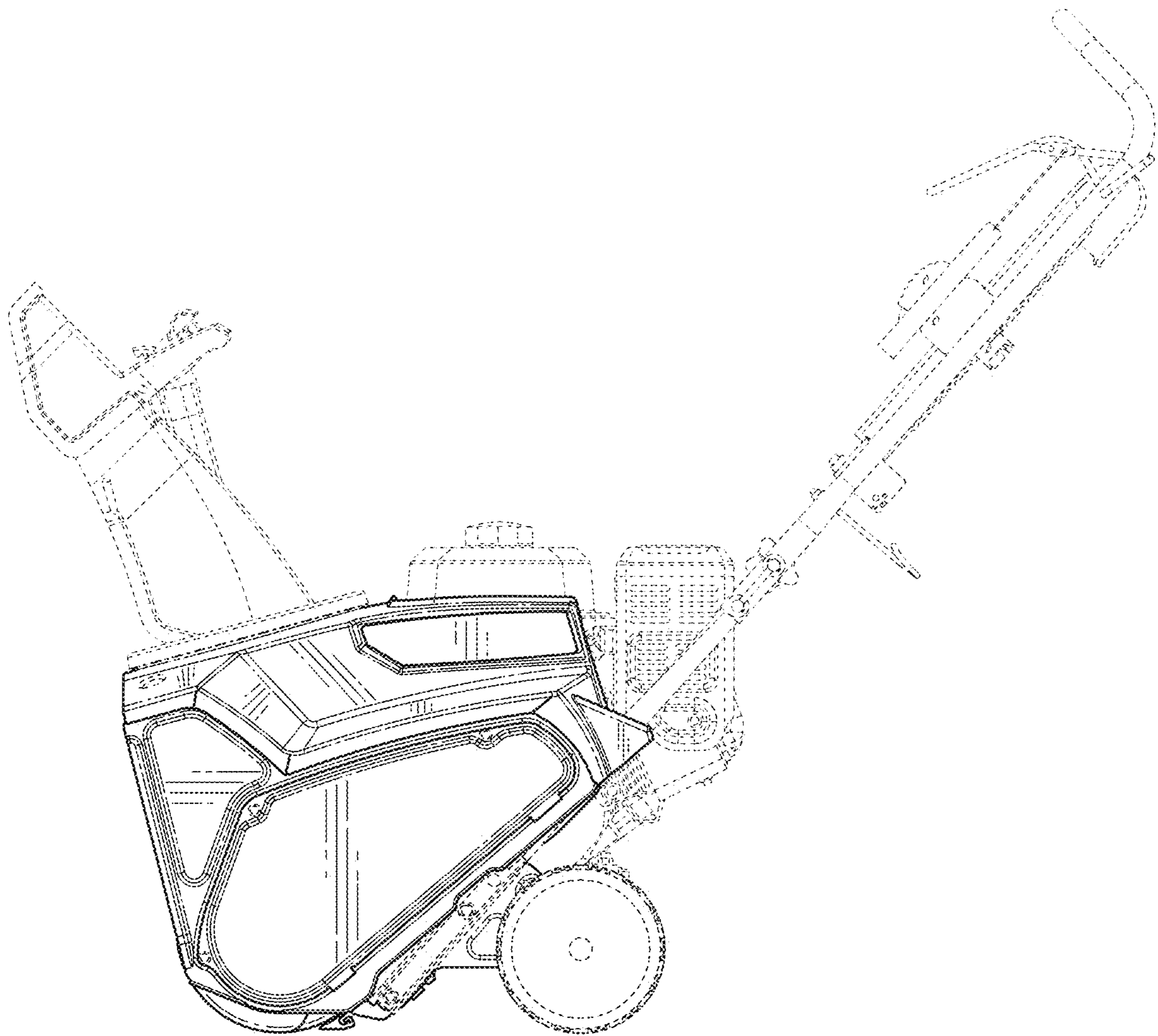


FIG. 3

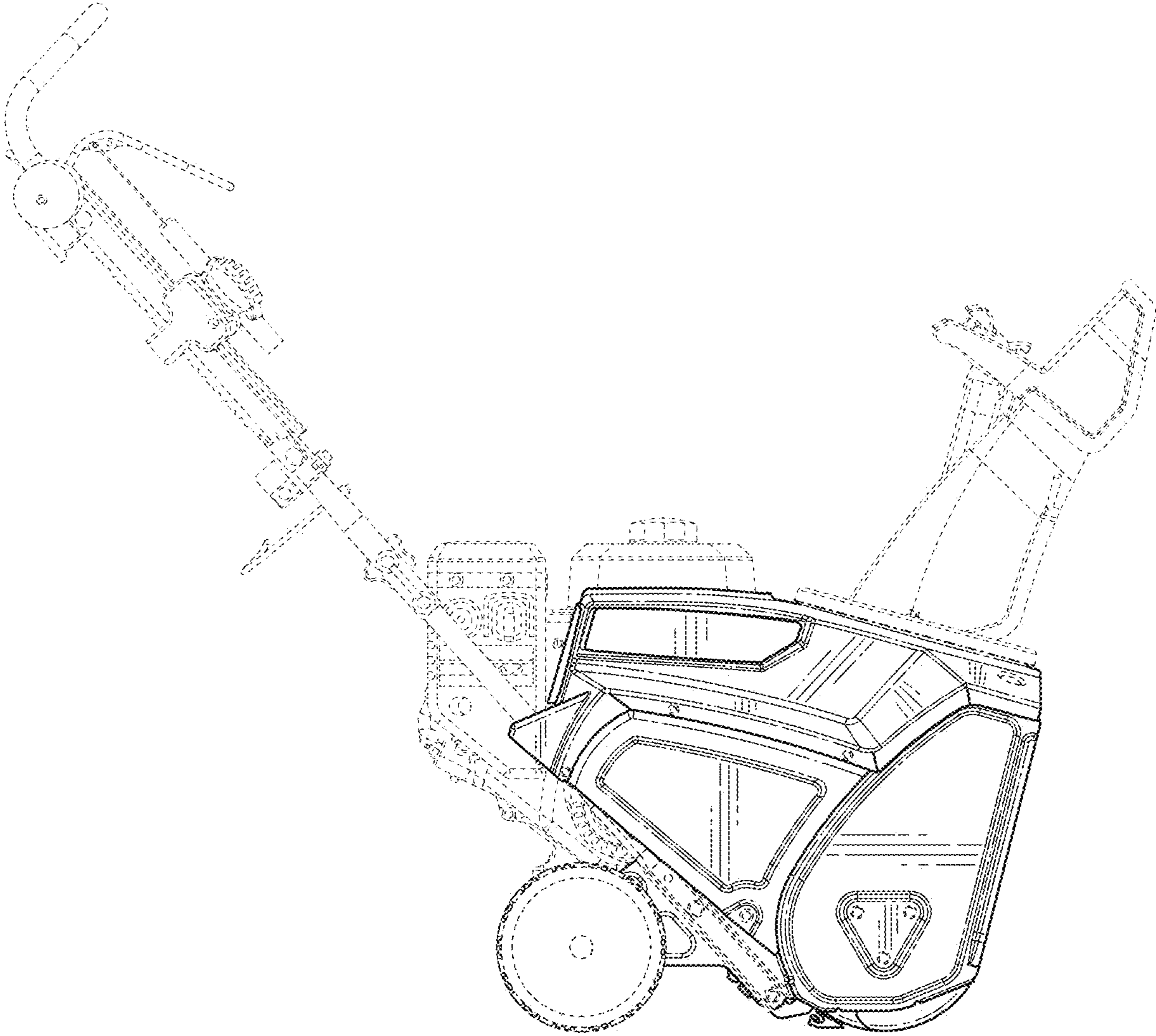


FIG. 4

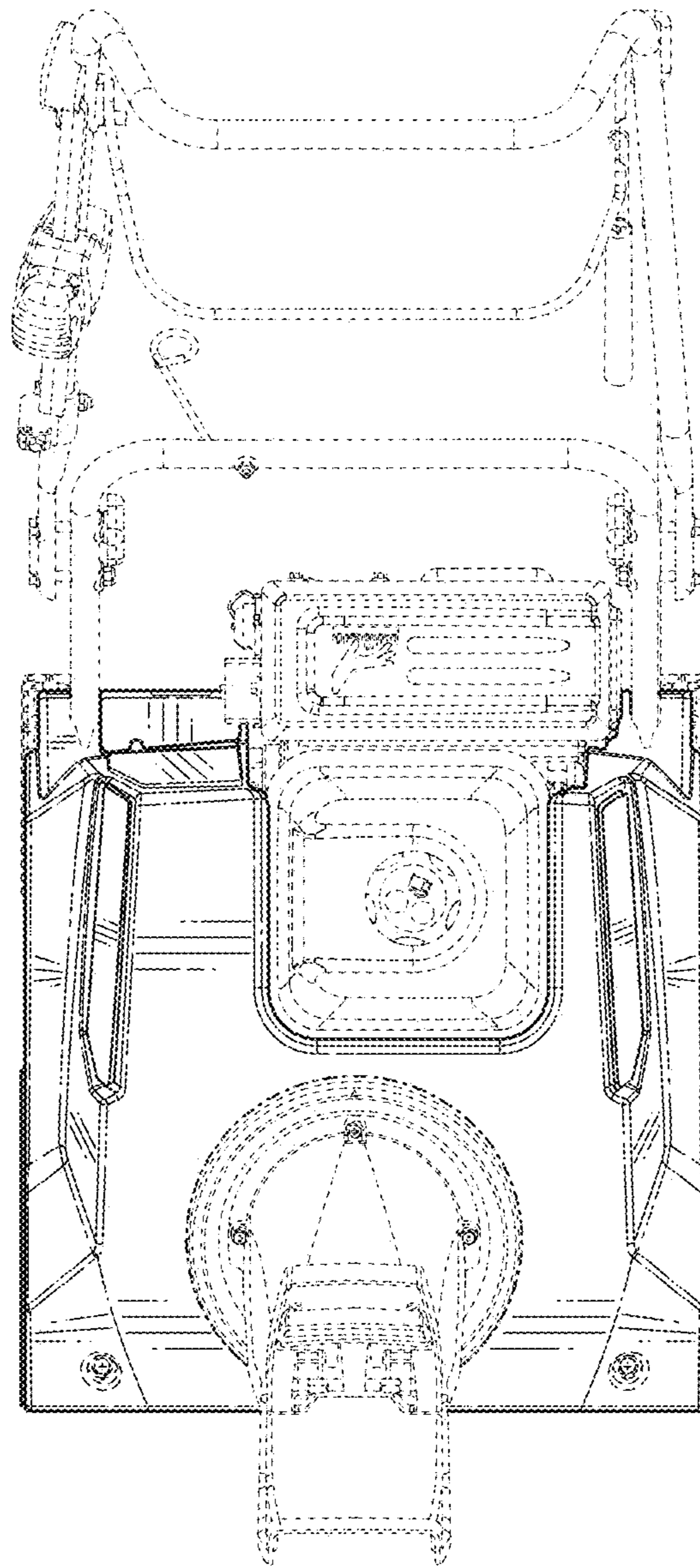


FIG. 5

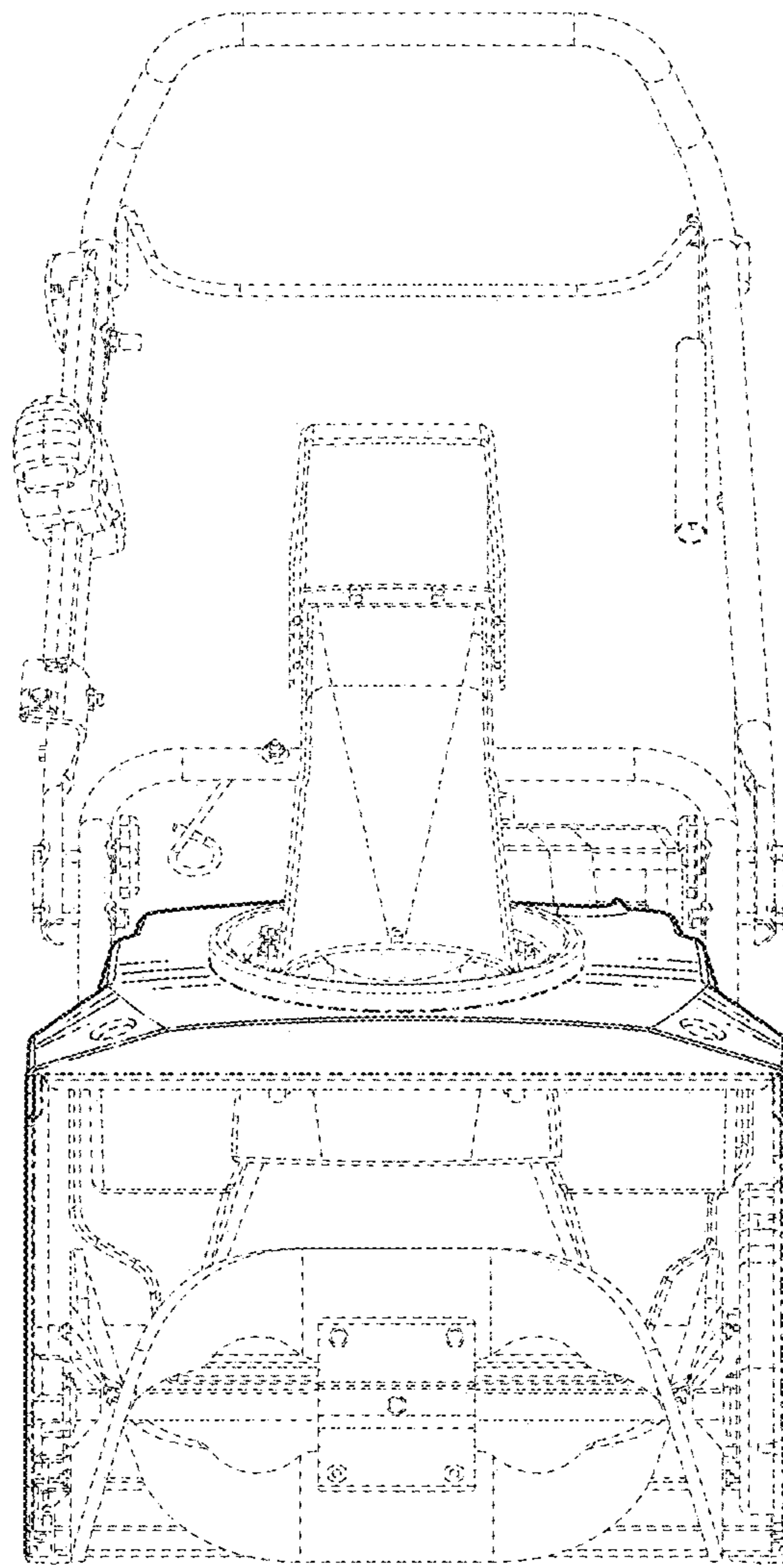


FIG. 6



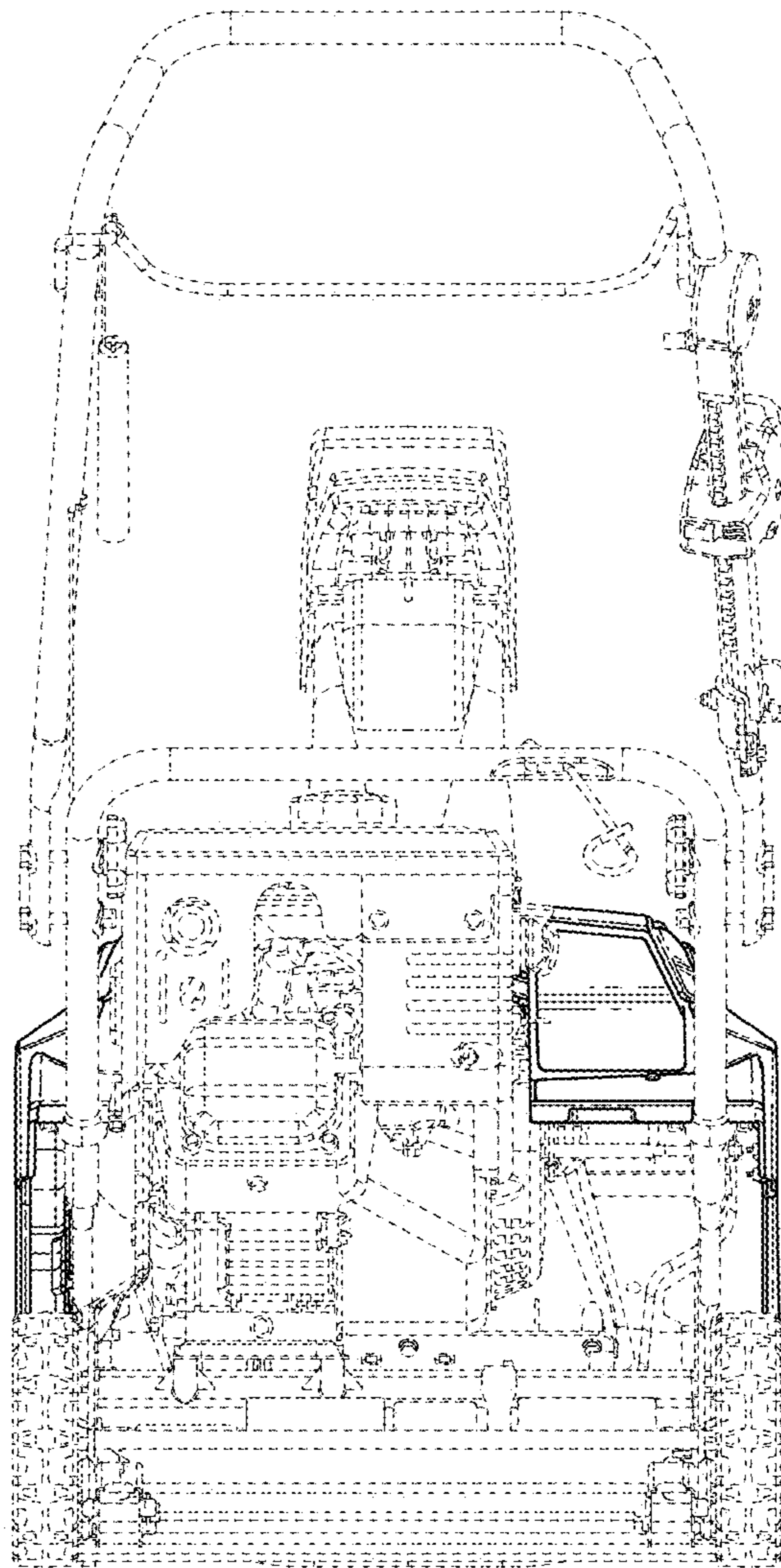


FIG. 7

UNITED STATES PATENT AND TRADEMARK OFFICE  
**CERTIFICATE OF CORRECTION**

PATENT NO. : D921,053 S  
APPLICATION NO. : 29/717868  
DATED : June 1, 2021  
INVENTOR(S) : Volovsek et al.

Page 1 of 1

It is certified that error appears in the above-identified patent and that said Letters Patent is hereby corrected as shown below:

On the Title Page

Item (73) Assignee, please remove:

'EXMARK MANUFACTURING COMPANY, INCORPORATED  
Beatrice, NE (US)'

And add:

--THE TORO COMPANY  
Bloomington, MN (US)--

Signed and Sealed this  
Twenty-eighth Day of September, 2021



Drew Hirshfeld  
*Performing the Functions and Duties of the  
Under Secretary of Commerce for Intellectual Property and  
Director of the United States Patent and Trademark Office*