



US00D921051S

(12) **United States Design Patent** (10) **Patent No.:** **US D921,051 S**
Chu (45) **Date of Patent:** **** Jun. 1, 2021**

(54) **AIR COMPRESSOR**
(71) Applicant: **Henry C. Chu**, Orange, CA (US)
(72) Inventor: **Henry C. Chu**, Orange, CA (US)
(**) Term: **15 Years**

D603,876 S * 11/2009 Chu D15/9
D603,877 S * 11/2009 Chu D15/9
D613,635 S * 4/2010 Chu D15/9
D613,636 S * 4/2010 Chu D15/9
D617,348 S * 6/2010 Chu D15/9
D623,666 S * 9/2010 Chu D15/9

(Continued)

(21) Appl. No.: **29/706,091**
(22) Filed: **Sep. 18, 2019**
(51) **LOC (13) Cl.** **15-02**
(52) **U.S. Cl.**
USPC **D15/9**
(58) **Field of Classification Search**
USPC D15/7-9; D23/225, 231, 232, 356, 366;
D9/689, 529; D12/114
CPC F04B 53/14; F04B 53/92; F04B 33/00;
F04B 33/005; F04B 1/005; F04B 39/102;
F04D 13/06; F04D 29/60; F04D 29/22;
F04D 29/046; F04D 29/2266; F16K
11/048; F16K 15/20; F16K 31/602; F16L
37/18; F16L 37/20; F16L 25/00; B23P
11/00

See application file for complete search history.

(56) **References Cited**
U.S. PATENT DOCUMENTS

D381,340 S * 7/1997 Takenaka D15/9
D381,993 S * 8/1997 Takenaka D15/9
D405,455 S * 2/1999 Leu D15/9
D435,856 S * 1/2001 Kato D15/9
D466,524 S * 12/2002 Makino D15/9
D466,525 S * 12/2002 Makino D15/9
D470,155 S * 2/2003 Makino D15/9
D486,835 S * 2/2004 Hsiao D15/9
D537,452 S * 2/2007 Chu D15/9
D537,843 S * 3/2007 Chu D15/9
D538,301 S * 3/2007 Chu D15/9
D540,823 S * 4/2007 An D15/9
D541,820 S * 5/2007 Chu D15/9
D549,242 S * 8/2007 Chu D15/9
D583,392 S * 12/2008 Chu D15/9

OTHER PUBLICATIONS

Denso, Denso 471-1407 New Compressor with Clutch, (first available Jan. 2, 2007), Amazon.com, URL:<<https://www.amazon.com/Denso-471-1407-New-Compressor-Clutch/dp/B001UCGHZ4>> (Year: 2007).*

(Continued)

Primary Examiner — Sheryl Lane
Assistant Examiner — Mark T. Philipps
(74) *Attorney, Agent, or Firm* — Browdy and Neimark, PLLC

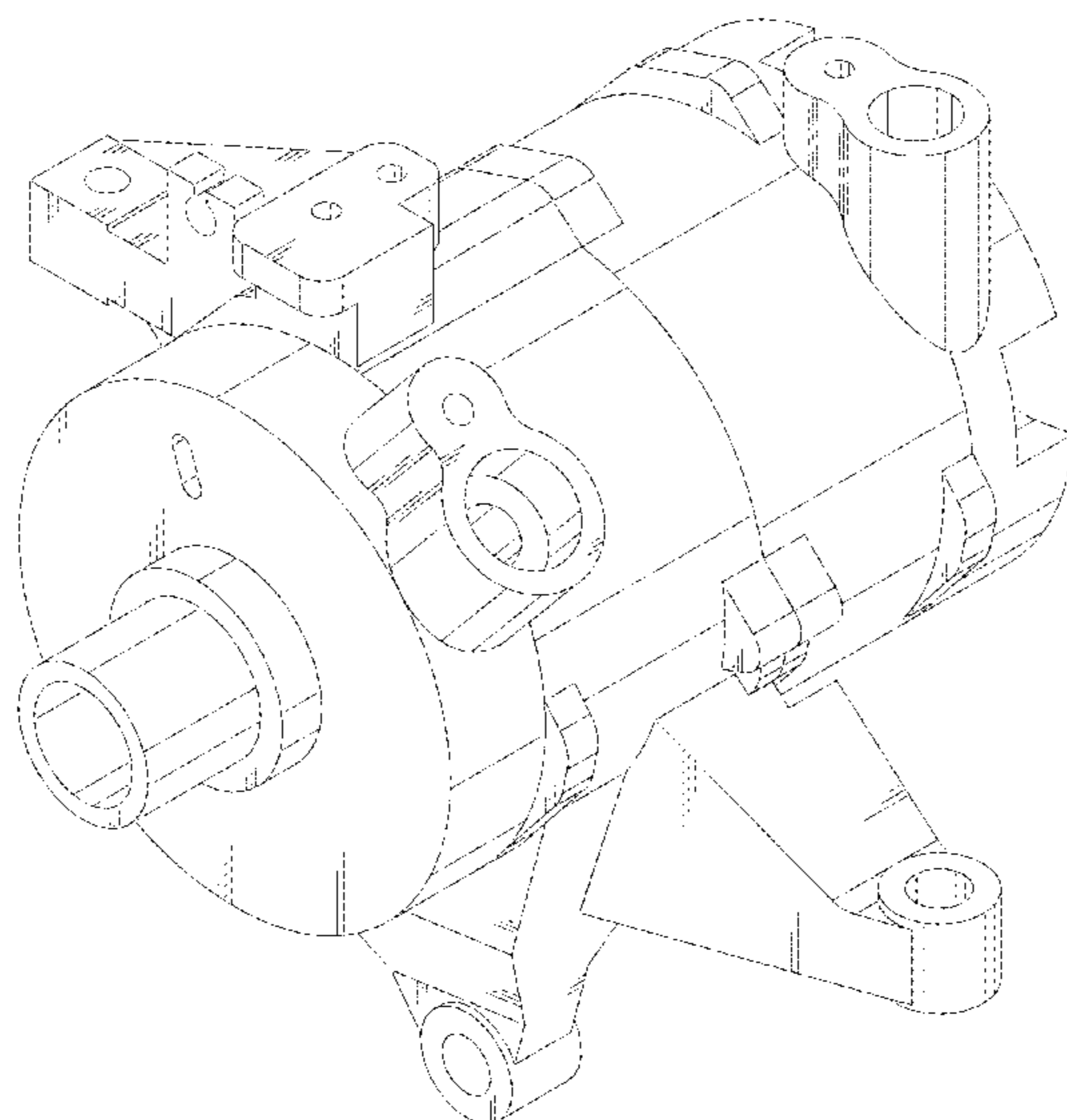
(57) **CLAIM**

The ornamental design for an air compressor, as shown and described.

DESCRIPTION

FIG. 1 is a front and upper perspective view of an air compressor showing my new design; FIG. 2 is a front elevational view thereof; FIG. 3 is a rear elevational view thereof; FIG. 4 is a top plan view thereof; FIG. 5 is a bottom plan view thereof; FIG. 6 is a left side elevational view thereof; FIG. 7 is a right side elevational view thereof; FIG. 8 is a front and bottom perspective view thereof; FIG. 9 is a rear and upper perspective view thereof; and, FIG. 10 is a rear and bottom perspective view thereof. The subject matter shown in dashed lines in the figures are for illustrative purpose only and form no part of the claimed design.

1 Claim, 10 Drawing Sheets



(56)

References Cited

U.S. PATENT DOCUMENTS

D666,223 S * 8/2012 Chen D15/9
 D668,680 S * 10/2012 Chen D15/9
 D668,681 S * 10/2012 Chen D15/9
 D672,788 S * 12/2012 Chen D15/9
 D678,341 S * 3/2013 Chen D15/9
 D695,789 S * 12/2013 Nam D15/9
 D710,906 S * 8/2014 Park D15/9
 D710,907 S * 8/2014 Lim D15/9
 D710,908 S * 8/2014 Son D15/9
 D715,327 S * 10/2014 Lim D15/9
 D719,979 S * 12/2014 Son D15/9
 D732,085 S * 6/2015 Park D15/9
 D735,244 S * 7/2015 Jeong D15/9
 D759,334 S * 6/2016 Aoki D34/28
 D788,179 S * 5/2017 Theiss D15/7
 D803,270 S * 11/2017 Chen D15/9
 D819,702 S * 6/2018 Chu D15/9

D830,416 S * 10/2018 Shin D15/7
 D835,158 S * 12/2018 Shin D15/9
 D842,341 S * 3/2019 Shin D15/9

OTHER PUBLICATIONS

Denso, Denso 471-1222 New Compressor with Clutch, (first available Jan. 2, 2007), Amazon.com, URL:<<https://www.amazon.com/Denso-471-1222-New-Compressor-Clutch/dp/B001UCGHWM>> (Year: 2007).*

Denso, Reciprocating Types, (site visited Oct. 20, 2020), Denso Europe, URL:<<https://www.denso-am.eu/products/automotive-aftermarket/ac-thermal/ac-compressors/reciprocating-types/>> (Year: 2020).*

Eaton, What is a rotary compressor, (site visited Oct. 20, 2020), Eaton website, URL:<<https://eatoncompressor.com/what-is-a-rotary-screw-air-compressor/>> (Year: 2020).*

* cited by examiner

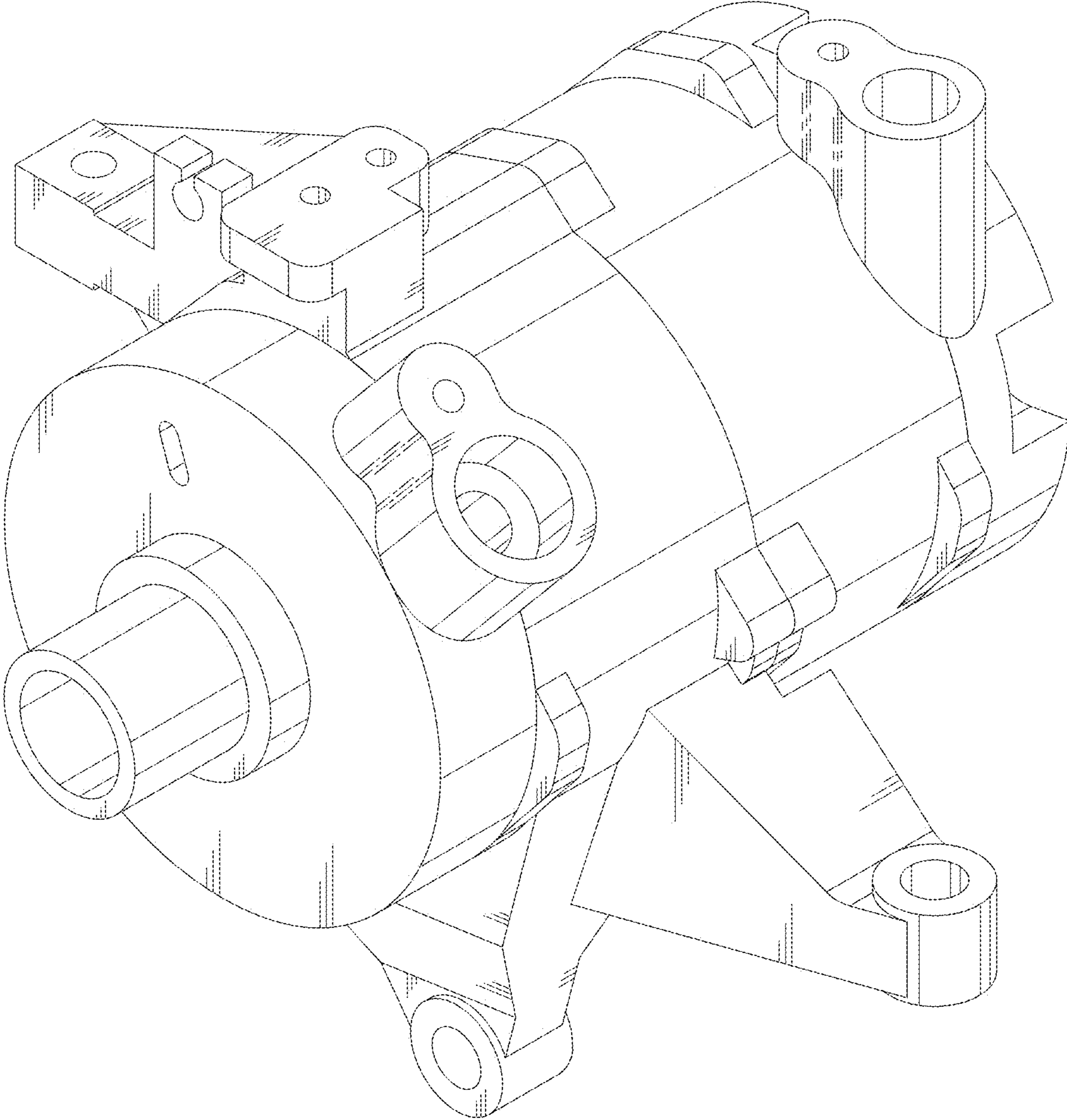


FIG. 1

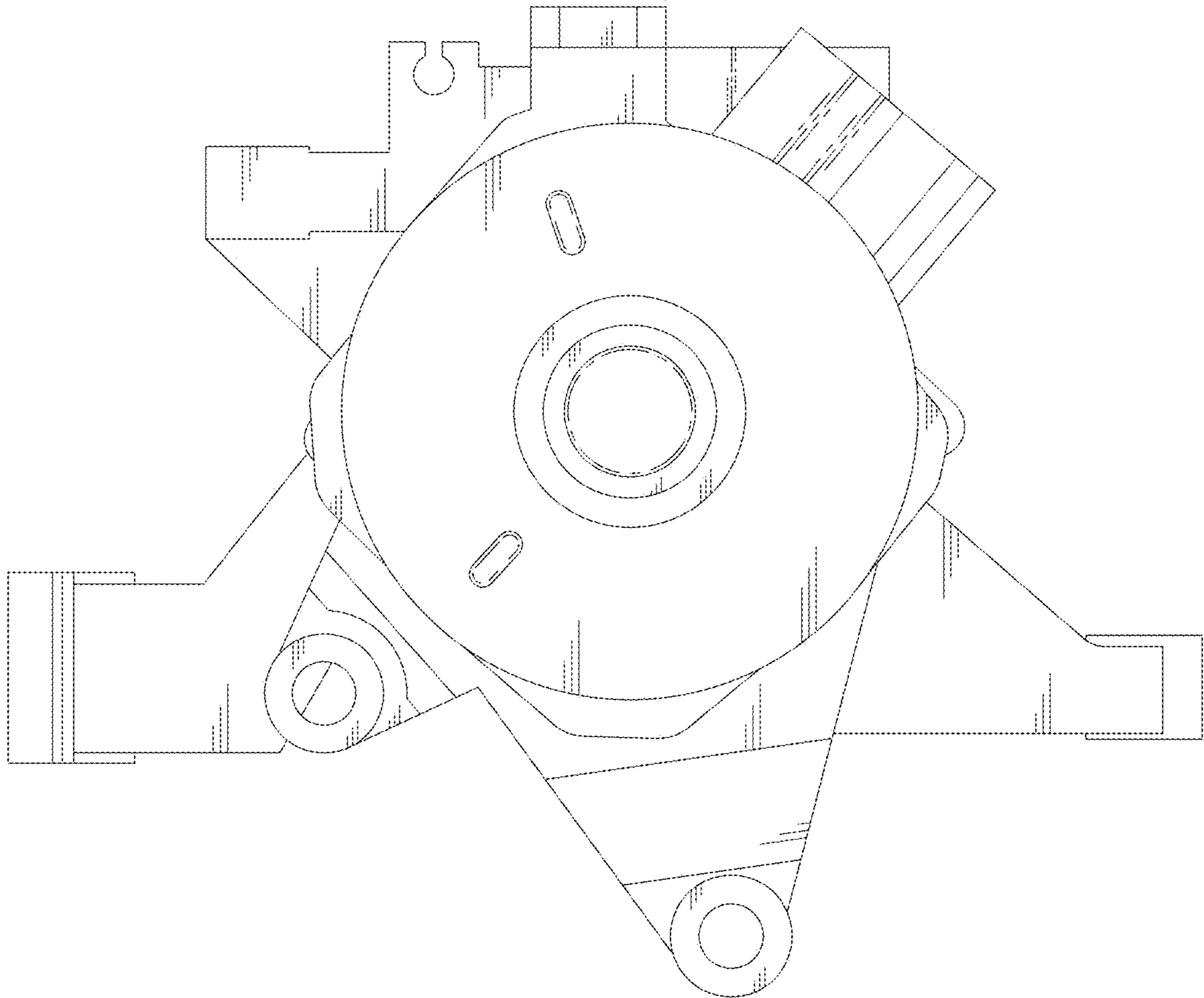


FIG. 2

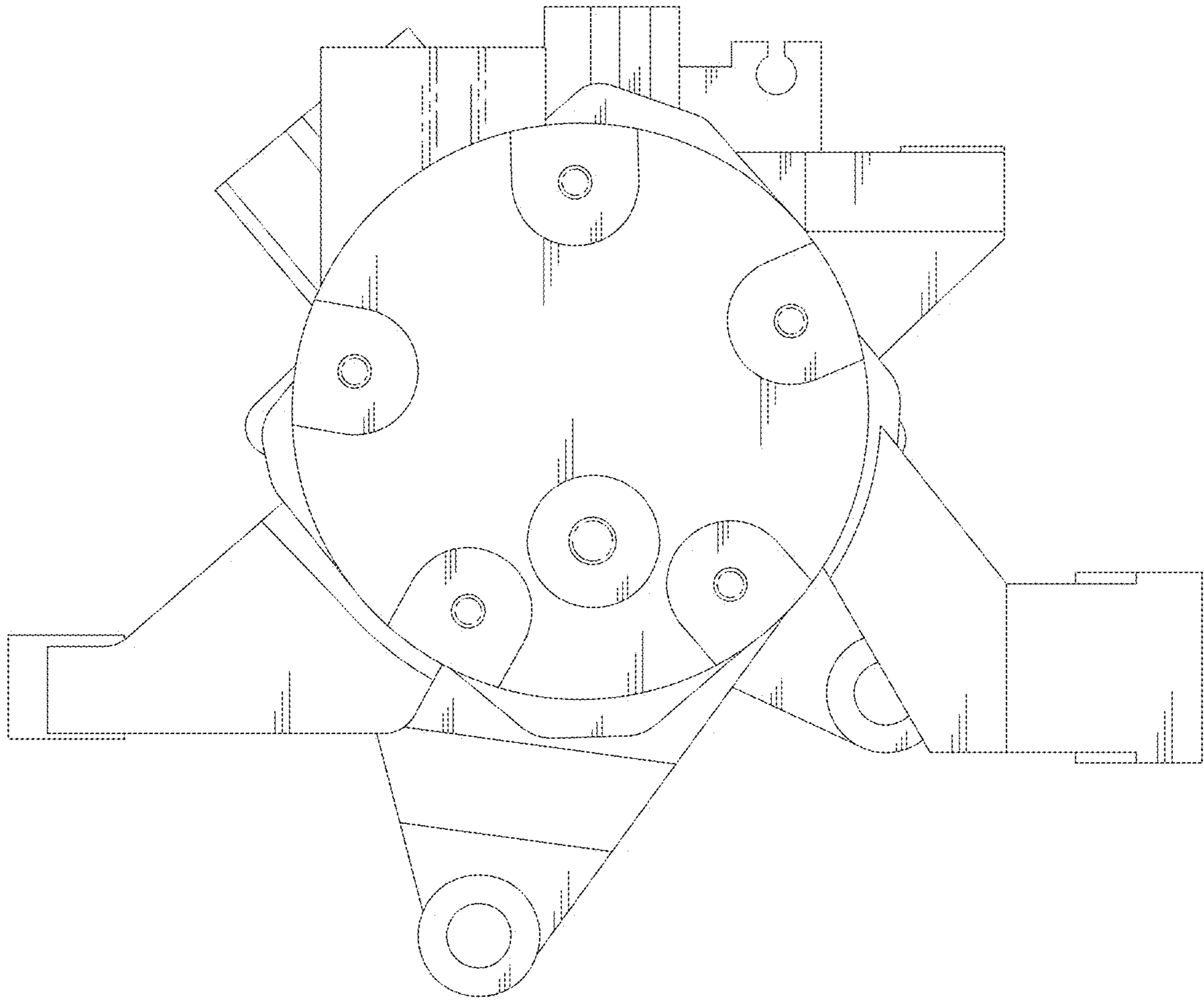


FIG. 3

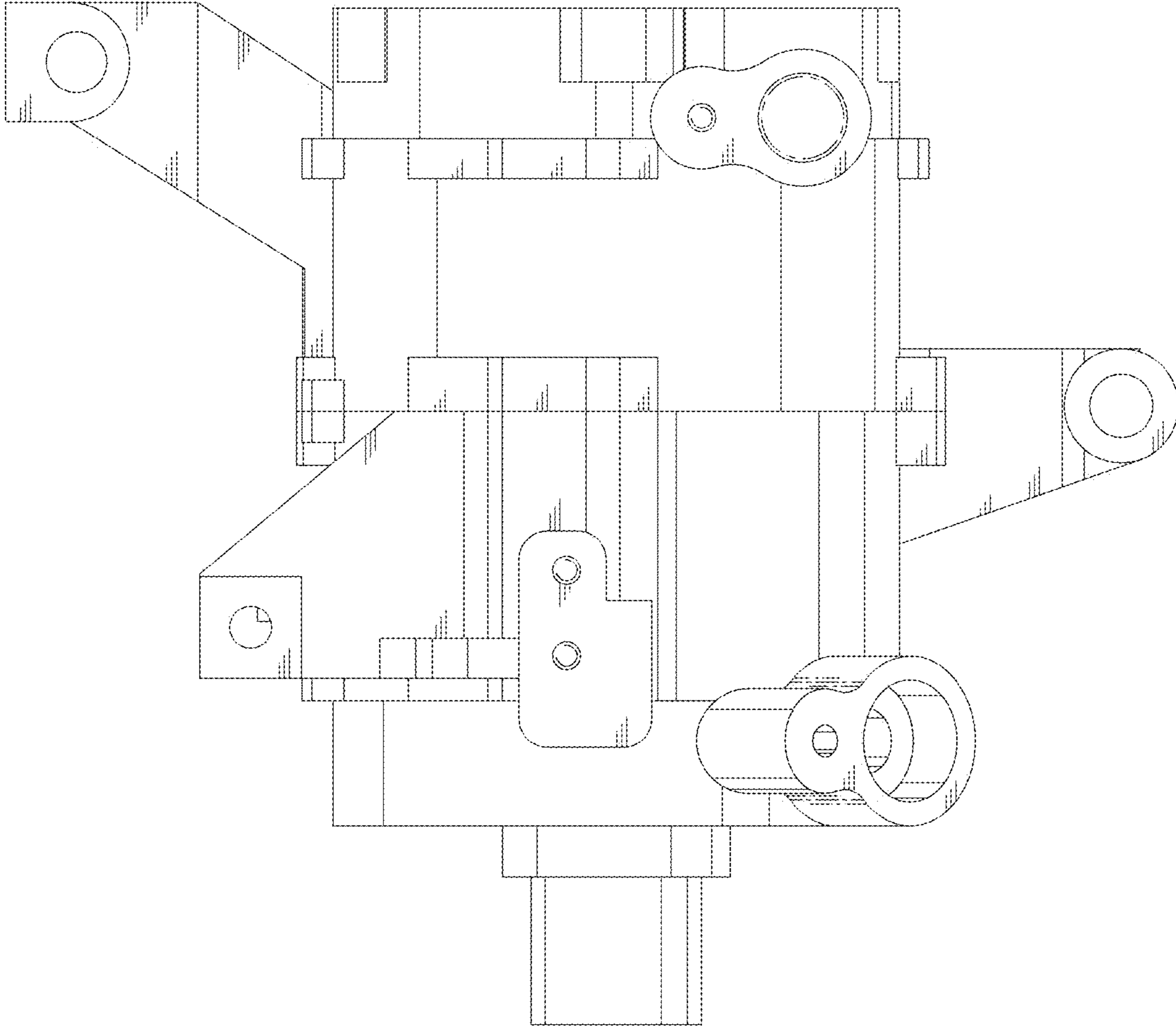


FIG. 4

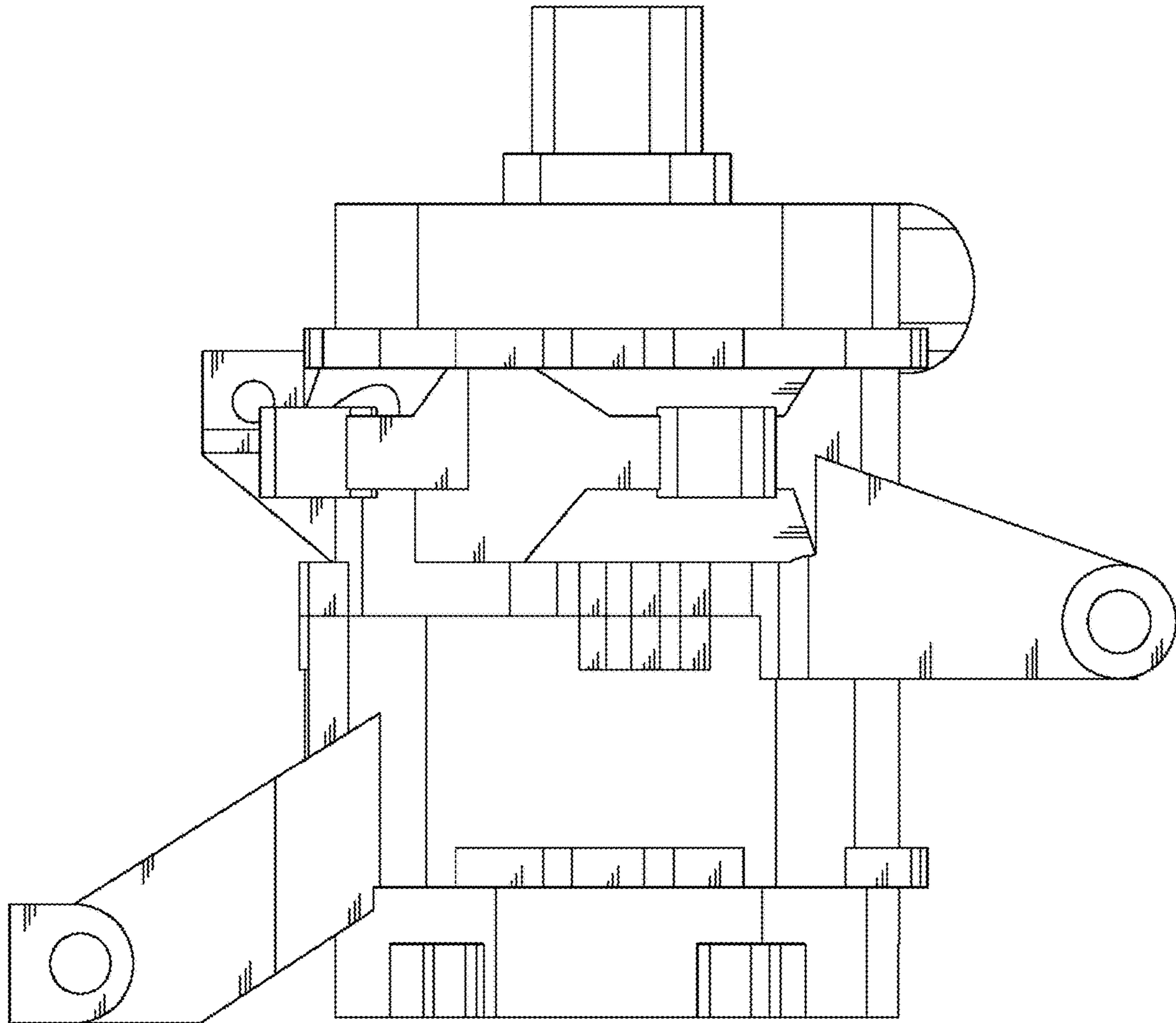


FIG. 5

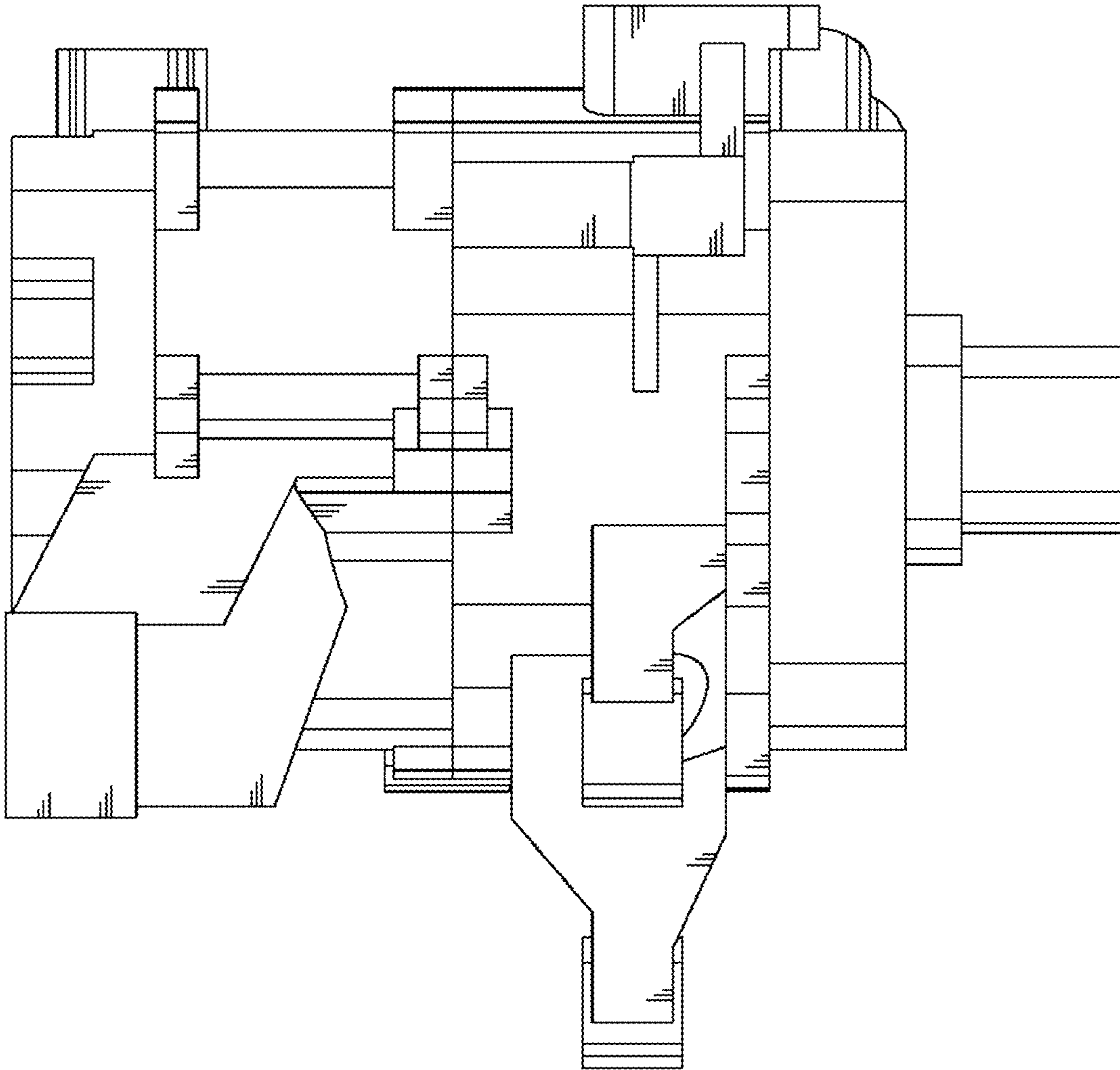


FIG. 6

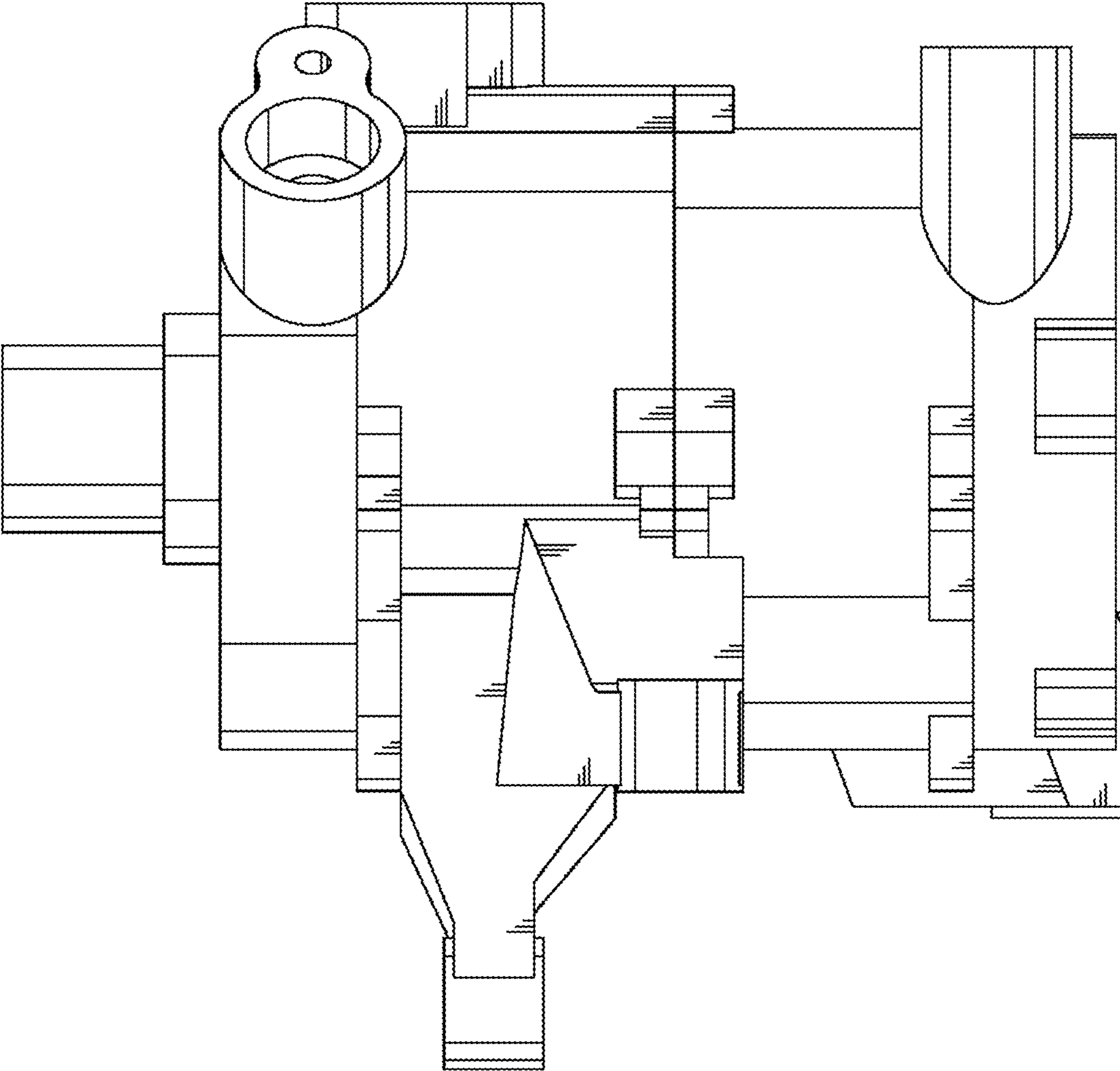


FIG. 7

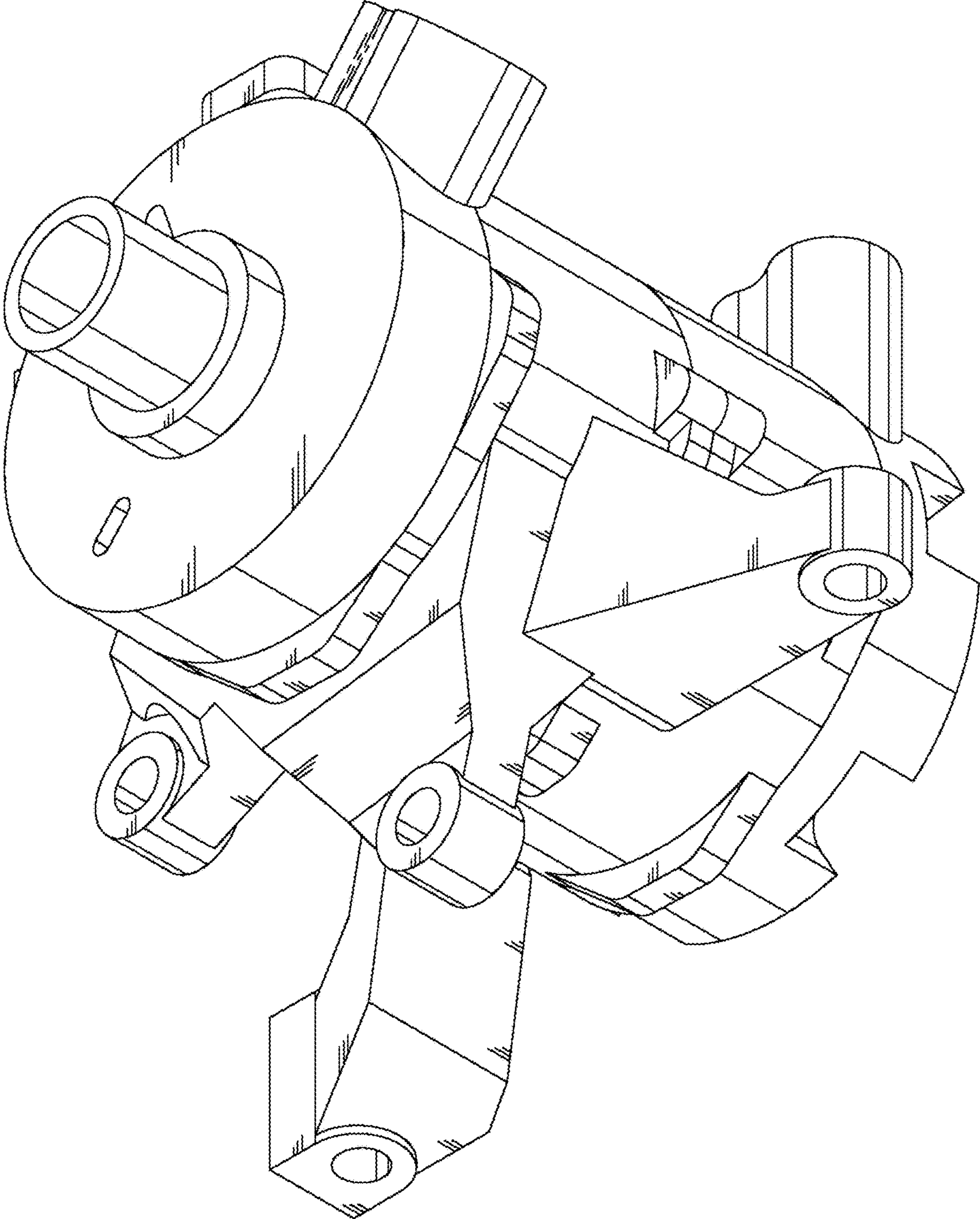


FIG. 8

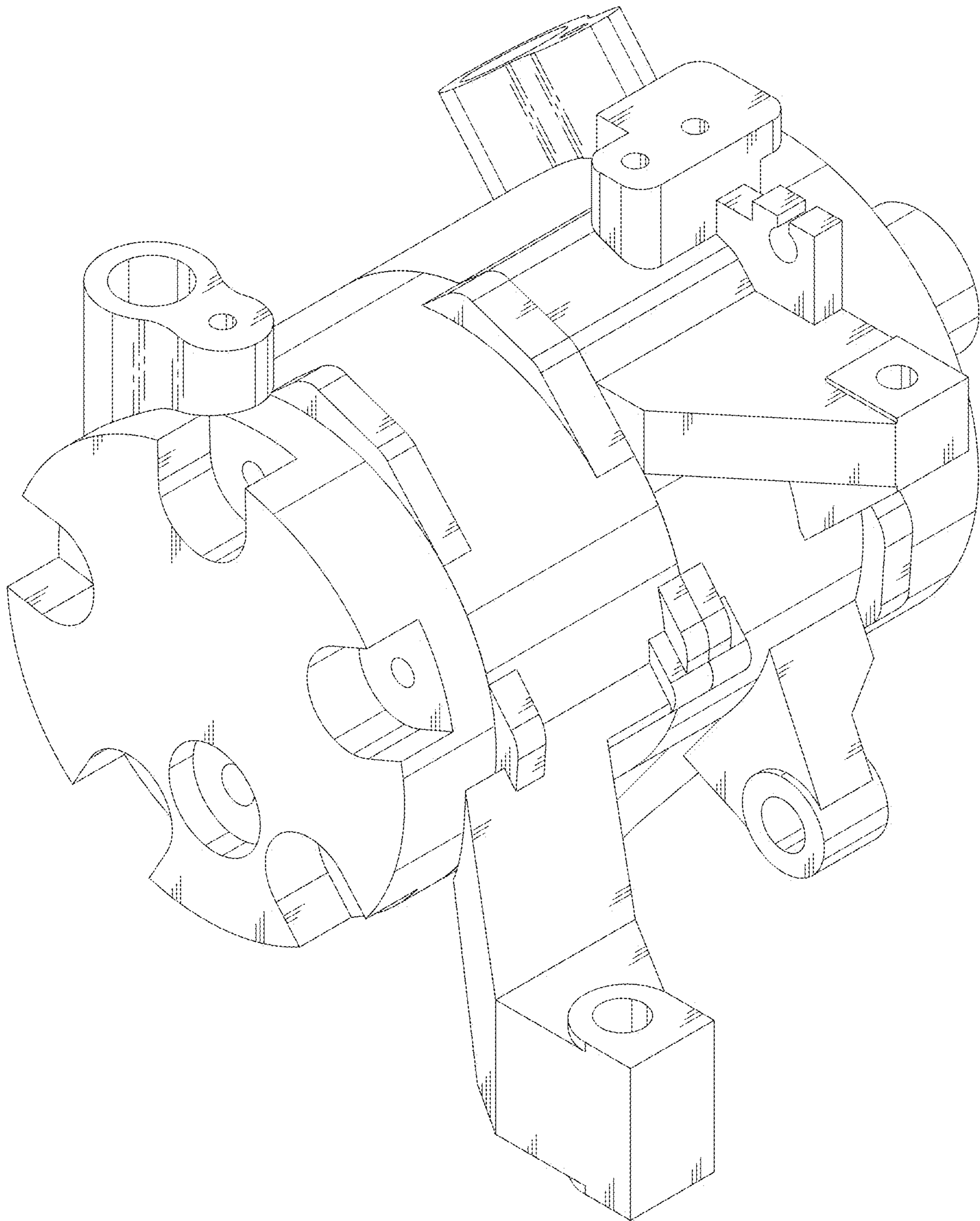


FIG. 9

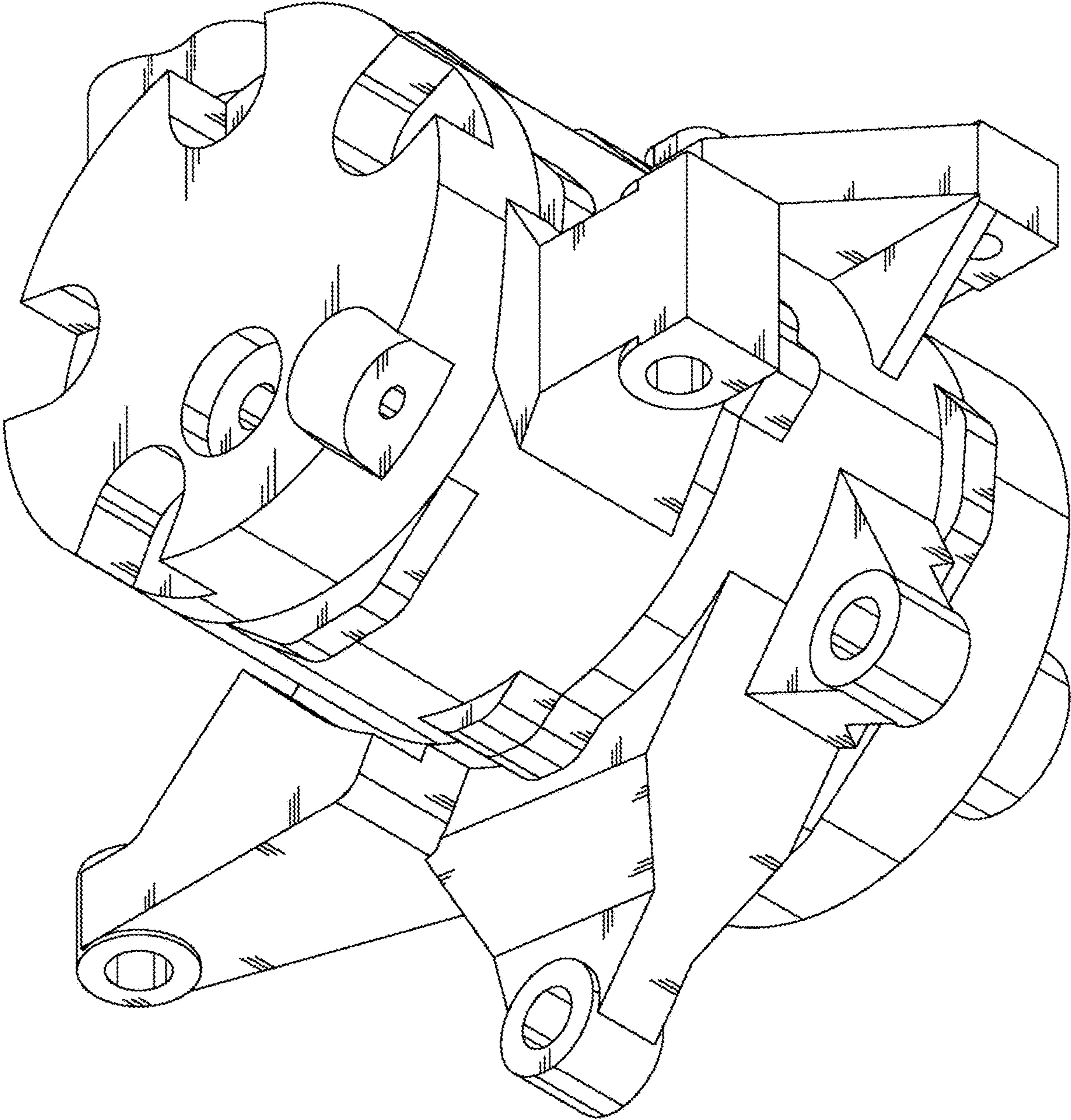


FIG. 10