

US00D921050S

(12) **United States Design Patent**
Gasman et al.

(10) **Patent No.:** **US D921,050 S**
(45) **Date of Patent:** **** Jun. 1, 2021**

- (54) **PORTION OF VOLUTE CASING FOR A PUMP**
- (71) Applicant: **Sulzer Management AG**, Winterthur (CH)
- (72) Inventors: **Teemu Gasman**, Kotka (FI); **Matti Koivikko**, Kotka (FI); **Sami Virtanen**, Kotka (FI)
- (73) Assignee: **SULZER MANAGEMENT AG**, Winterthur (CH)
- (**) Term: **15 Years**
- (21) Appl. No.: **29/615,438**
- (22) Filed: **Aug. 29, 2017**

Related U.S. Application Data

- (62) Division of application No. 29/551,965, filed on Jan. 19, 2016.

Foreign Application Priority Data

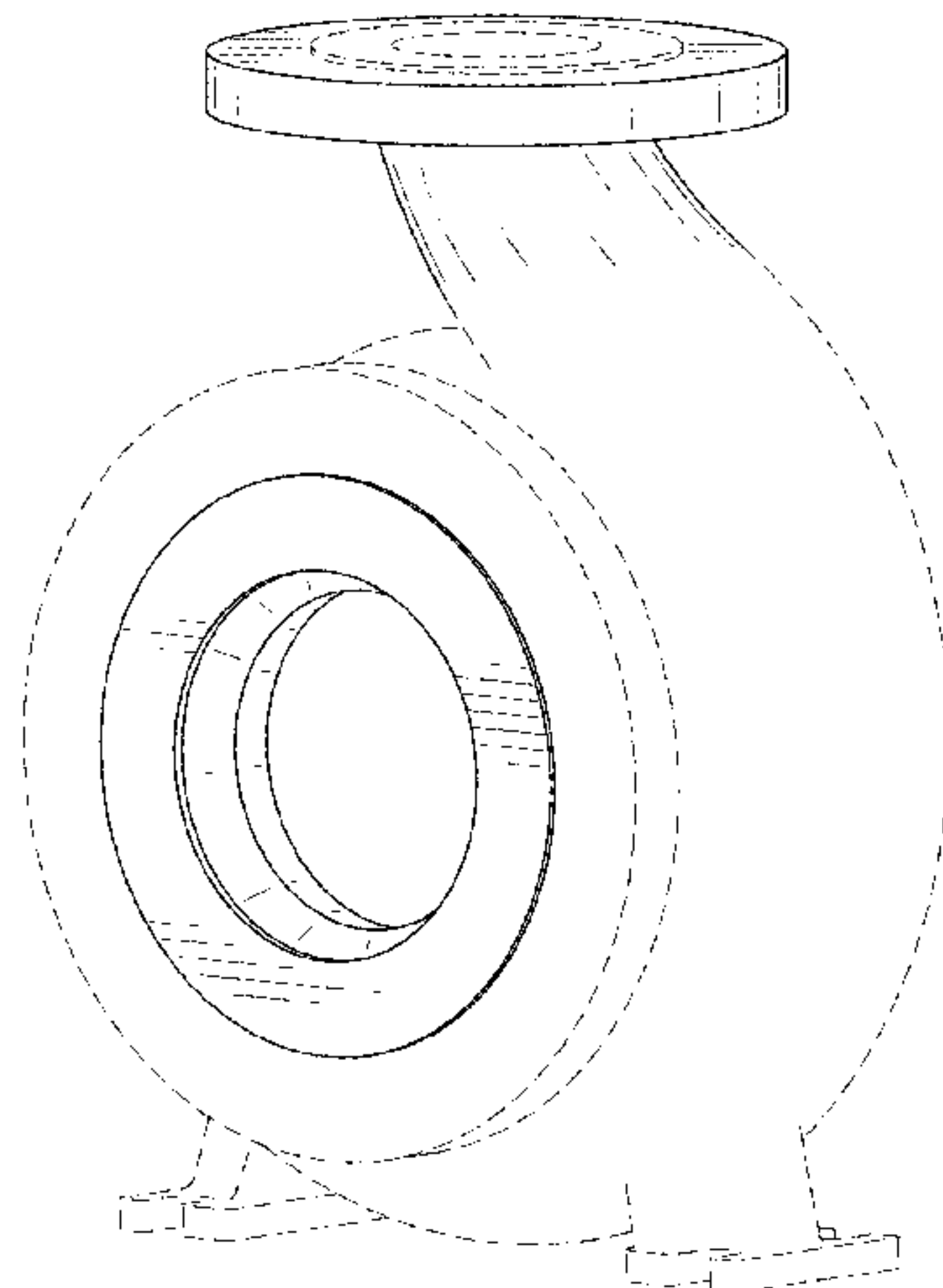
- Aug. 20, 2015 (EM) 002757914
- (51) **LOC (13) Cl.** **15-02**
- (52) **U.S. Cl.**
USPC **D15/7**
- (58) **Field of Classification Search**
USPC D25/125; 415/200, 182.1; 156/153, 160;
427/299; D15/7-9; D23/231, 232, 225
CPC B29C 64/20; B29C 70/48; B29C 70/865;
Y10T 156/1064
See application file for complete search history.

References Cited

U.S. PATENT DOCUMENTS

- 3,016,562 A * 1/1962 Reid H02G 3/083
16/2.1
- 4,562,602 A * 1/1986 Cuschera E03C 1/22
285/136.1
- D285,044 S * 8/1986 Mockett D8/349

- 4,883,590 A * 11/1989 Papp E03F 5/0407
210/164
- 4,900,222 A * 2/1990 Meng F04D 29/4273
415/143
- 4,974,998 A * 12/1990 Heineman F04D 29/4286
406/193
- 5,485,909 A 1/1996 Hay
- D375,148 S * 10/1996 Keller D23/249
- 5,599,600 A * 2/1997 Rau B29C 73/04
285/917
- D381,339 S 7/1997 Wightley
- 5,711,581 A * 1/1998 Plumer B60B 3/145
301/35.632
- 5,885,065 A 3/1999 Long
- D413,377 S * 8/1999 Pauly D23/261
- 6,065,929 A 5/2000 Morel
- D437,034 S * 1/2001 Stout, Jr. D23/269
- 6,196,257 B1 * 3/2001 Adler E03F 5/041
137/362
- 6,290,279 B1 * 9/2001 Haight B60R 13/07
220/235
- 6,687,925 B2 * 2/2004 Minnick E03F 5/0407
4/286
- 6,694,566 B1 * 2/2004 Mockett A47B 21/06
108/50.02
- D539,117 S * 3/2007 Sealey D8/349
- D545,326 S * 6/2007 Zellers D15/7
- D553,238 S * 10/2007 Haggkvist D23/386
- D563,206 S * 3/2008 Bakker D8/356
- D576,480 S * 9/2008 Vakiener D8/397
- D609,248 S 2/2010 Foreman
- D609,250 S 2/2010 Liu
- D610,165 S 2/2010 Glaves
- D616,902 S 2/2010 Foreman
- D616,966 S * 6/2010 Angell D23/262
- 7,735,512 B1 * 6/2010 Ismert E03F 5/0407
137/362
- D626,208 S * 10/2010 Clements D23/365
- D627,490 S * 11/2010 Janish D25/199
- D631,142 S * 1/2011 Angell D23/262
- D658,478 S * 5/2012 Wall D8/349
- D659,718 S 5/2012 Seidel
- D660,691 S * 5/2012 Yamazaki D8/399
- D698,017 S * 1/2014 Modesto D23/365
- 8,747,062 B2 * 6/2014 Burgess F04D 29/628
415/197
- 8,790,077 B2 * 7/2014 Burgess F04D 29/4286
415/127
- 9,022,723 B2 5/2015 Leininger
- 9,057,385 B2 6/2015 Burgess
- D740,327 S 10/2015 Naruoka
- D742,420 S 11/2015 Sullivan



9,175,464	B2 *	11/2015	Meyers	E03F 5/0408
D749,707	S *	2/2016	Kuang	D23/263
D761,398	S *	7/2016	Murphy	D23/269
D767,637	S	9/2016	Pappathopoulos	
D771,480	S *	11/2016	Lowitz	D8/382
D836,676	S *	12/2018	Geldenhuis	D15/7
D842,904	S *	3/2019	Geldenhuis	D15/7
2007/0014662	A1 *	1/2007	Burgess	F04D 29/4286 415/197
2014/0271162	A1 *	9/2014	Karl	F04D 29/4286 415/200
2015/0040345	A1 *	2/2015	Loy	B60R 16/0222 16/2.1
2016/0004029	A1	1/2016	Tun	
2016/0247609	A1 *	8/2016	Wang	H02G 3/22

FOREIGN PATENT DOCUMENTS

DE	2602624	A1	7/1976
DE	202009018129	U1	4/2011
DE	102009010927	A1	9/2019
EP	1855013	A2	4/2007
GB	2266750	A	11/1993
JP	57124098	A	8/1982
JP	05332300	A	12/1993

* cited by examiner

Primary Examiner — Samantha Q Lawrence
(74) Attorney, Agent, or Firm — Global IP Counselors, LLP

(57) CLAIM

The ornamental design for a portion of volute casing for a pump, as shown and described.

DESCRIPTION

FIG. 1 is a perspective view of a portion of volute casing for a pump in accordance with our new design;
FIG. 2 is a first side elevational view of the portion of volute casing for a pump illustrated in FIG. 1;
FIG. 3 is a second side elevational view of the portion of volute casing for a pump illustrated in FIG. 1;
FIG. 4 is a first end elevational view of the portion of volute casing for a pump illustrated in FIG. 1;
FIG. 5 is a second end elevational view of the portion of volute casing for a pump illustrated in FIG. 1;
FIG. 6 is a bottom plan view of the portion of volute casing for a pump illustrated in FIG. 1;
FIG. 7 is a top plan view of the portion of volute casing for a pump illustrated in FIG. 1;
FIG. 8 is a perspective view of a portion of volute casing for a pump in accordance with our new design;
FIG. 9 is a first side elevational view of the portion of volute casing for a pump illustrated in FIG. 8;
FIG. 10 is a second side elevational view of the portion of volute casing for a pump illustrated in FIG. 8;
FIG. 11 is a first end elevational view of the portion of volute casing for a pump illustrated in FIG. 8;
FIG. 12 is a second end elevational view of the portion of volute casing for a pump illustrated in FIG. 8;
FIG. 13 is a bottom plan view of the portion of volute casing for a pump illustrated in FIG. 8;
FIG. 14 is a top plan view of the portion of volute casing for a pump illustrated in FIG. 8;
FIG. 15 is a perspective view of a portion of volute casing for a pump in accordance with our new design;

FIG. 16 is a first side elevational view of the portion of volute casing for a pump illustrated in FIG. 15;
FIG. 17 is a second side elevational view of the portion of volute casing for a pump illustrated in FIG. 15;
FIG. 18 is a first end elevational view of the portion of volute casing for a pump illustrated in FIG. 15;
FIG. 19 is a second end elevational view of the portion of volute casing for a pump illustrated in FIG. 15;
FIG. 20 is a bottom plan view of the portion of volute casing for a pump illustrated in FIG. 15;
FIG. 21 is a top plan view of the portion of volute casing for a pump illustrated in FIG. 15;
FIG. 22 is a perspective view of a portion of volute casing for a pump in accordance with our new design;
FIG. 23 is a first side elevational view of the portion of volute casing for a pump illustrated in FIG. 22;
FIG. 24 is a second side elevational view of the portion of volute casing for a pump illustrated in FIG. 22;
FIG. 25 is a first end elevational view of the portion of volute casing for a pump illustrated in FIG. 22;
FIG. 26 is a second end elevational view of the portion of volute casing for a pump illustrated in FIG. 22;
FIG. 27 is a bottom plan view of the portion of volute casing for a pump illustrated in FIG. 22;
FIG. 28 is a top plan view of the portion of volute casing for a pump illustrated in FIG. 22;
FIG. 29 is a perspective view of a portion of volute casing for a pump in accordance with our new design;
FIG. 30 is a first side elevational view of the portion of volute casing for a pump illustrated in FIG. 29;
FIG. 31 is a second side elevational view of the portion of volute casing for a pump illustrated in FIG. 29;
FIG. 32 is a first end elevational view of the portion of volute casing for a pump illustrated in FIG. 29;
FIG. 33 is a second end elevational view of the portion of volute casing for a pump illustrated in FIG. 29;
FIG. 34 is a bottom plan view of the portion of volute casing for a pump illustrated in FIG. 29;
FIG. 35 is a top plan view of the portion of volute casing for a pump illustrated in FIG. 29;
FIG. 36 is a perspective view of a portion of volute casing for a pump in accordance with our new design;
FIG. 37 is a first side elevational view of the portion of volute casing for a pump illustrated in FIG. 36;
FIG. 38 is a second side elevational view of the portion of volute casing for a pump illustrated in FIG. 36;
FIG. 39 is a first end elevational view of the portion of volute casing for a pump illustrated in FIG. 36;
FIG. 40 is a second end elevational view of the portion of volute casing for a pump illustrated in FIG. 36;
FIG. 41 is a bottom plan view of the portion of volute casing for a pump illustrated in FIG. 36;
FIG. 42 is a top plan view of the portion of volute casing for a pump illustrated in FIG. 36;
FIG. 43 is a perspective view of a portion of volute casing for a pump in accordance with our new design;
FIG. 44 is a first side elevational view of the portion of volute casing for a pump illustrated in FIG. 43;
FIG. 45 is a second side elevational view of the portion of volute casing for a pump illustrated in FIG. 43;
FIG. 46 is a first end elevational view of the portion of volute casing for a pump illustrated in FIG. 43;
FIG. 47 is a second end elevational view of the portion of volute casing for a pump illustrated in FIG. 43;

FIG. 48 is a bottom plan view of the portion of volute casing for a pump illustrated in FIG. 43; and,

FIG. 49 is a top plan view of the portion of volute casing for a pump illustrated in FIG. 43.

The broken lines shown in FIGS. 1-49 illustrate portions of the portion of volute casing for a pump that form no part of the claimed design.

1 Claim, 49 Drawing Sheets

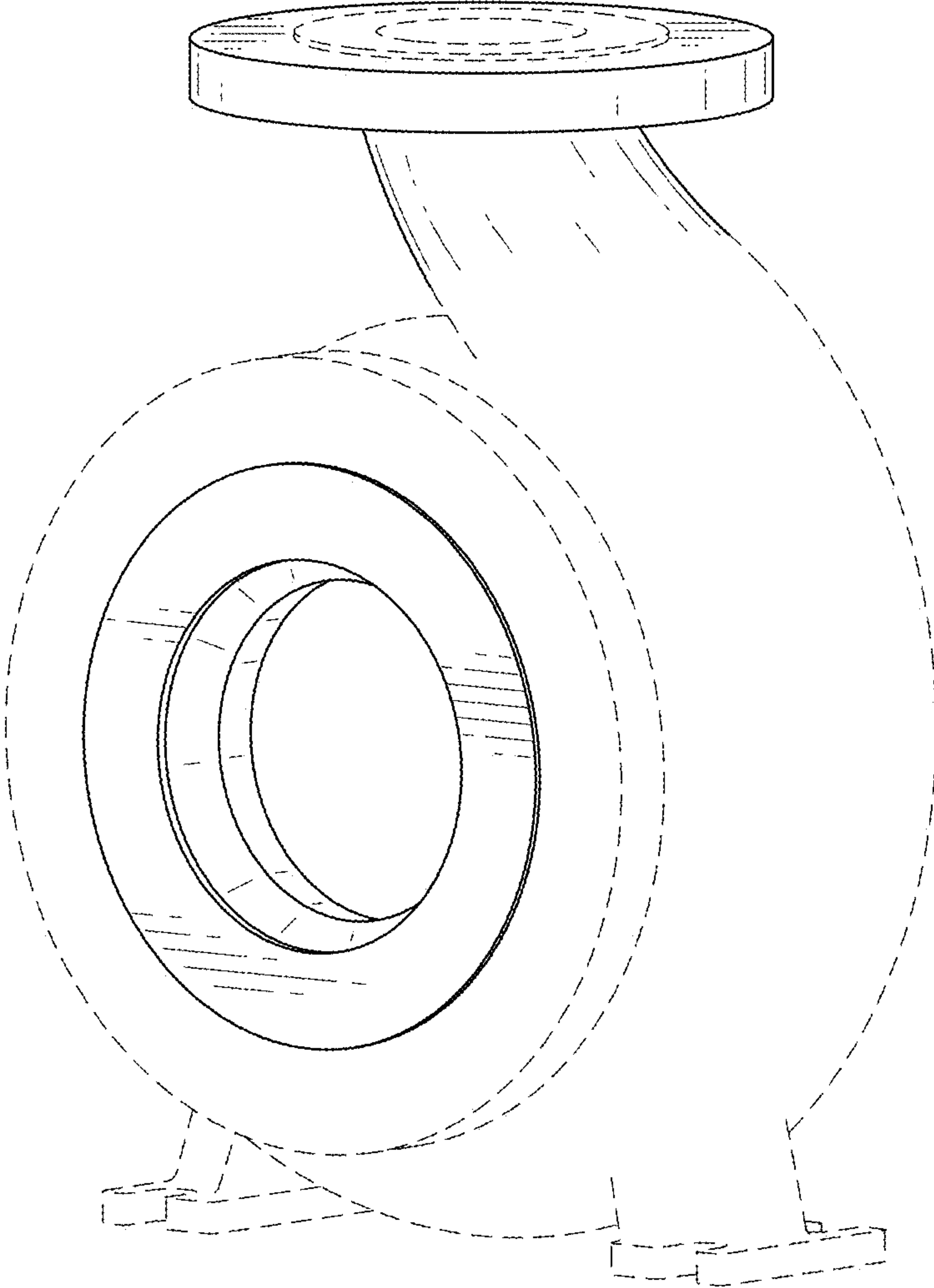


FIG. 1

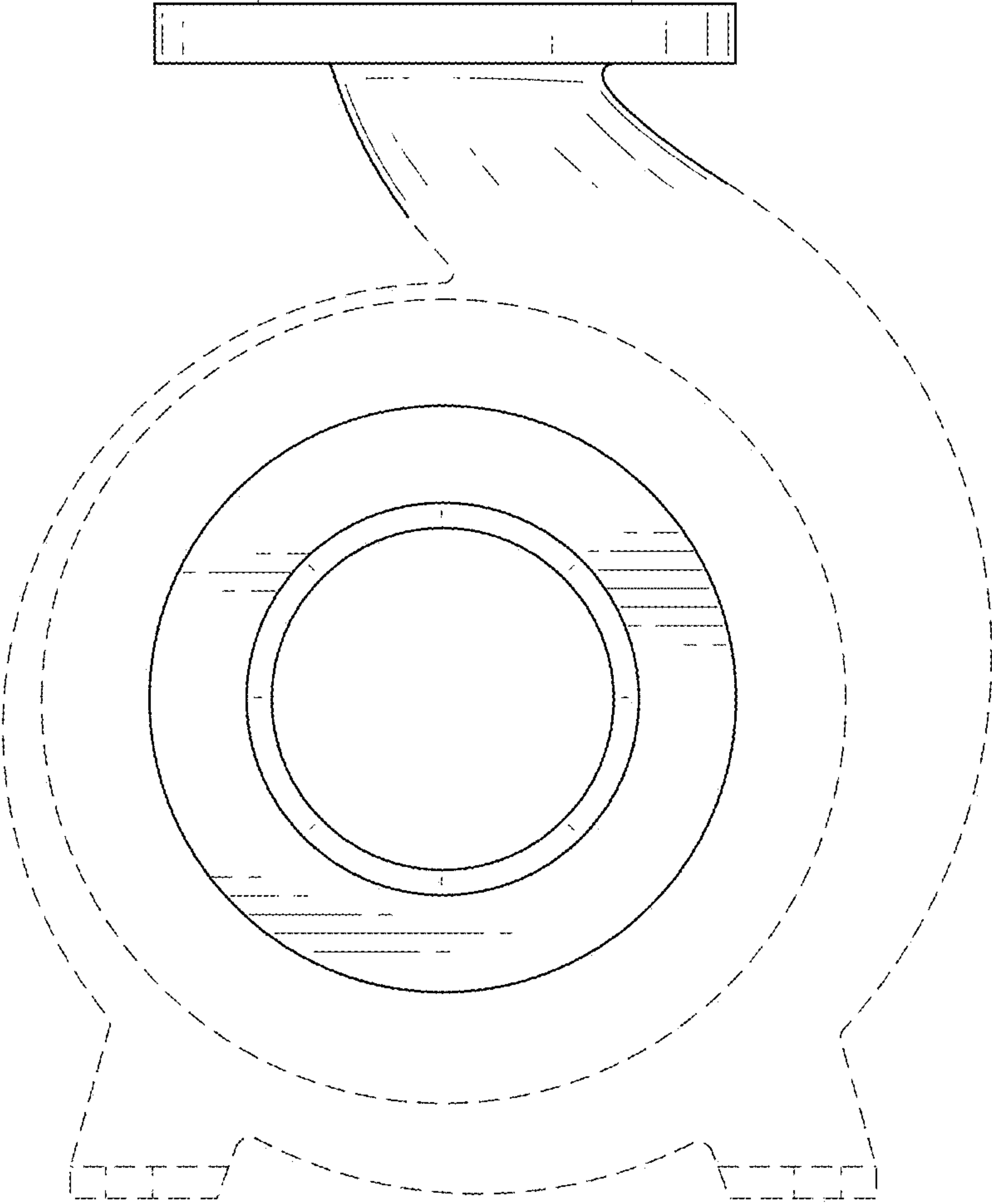


FIG. 2

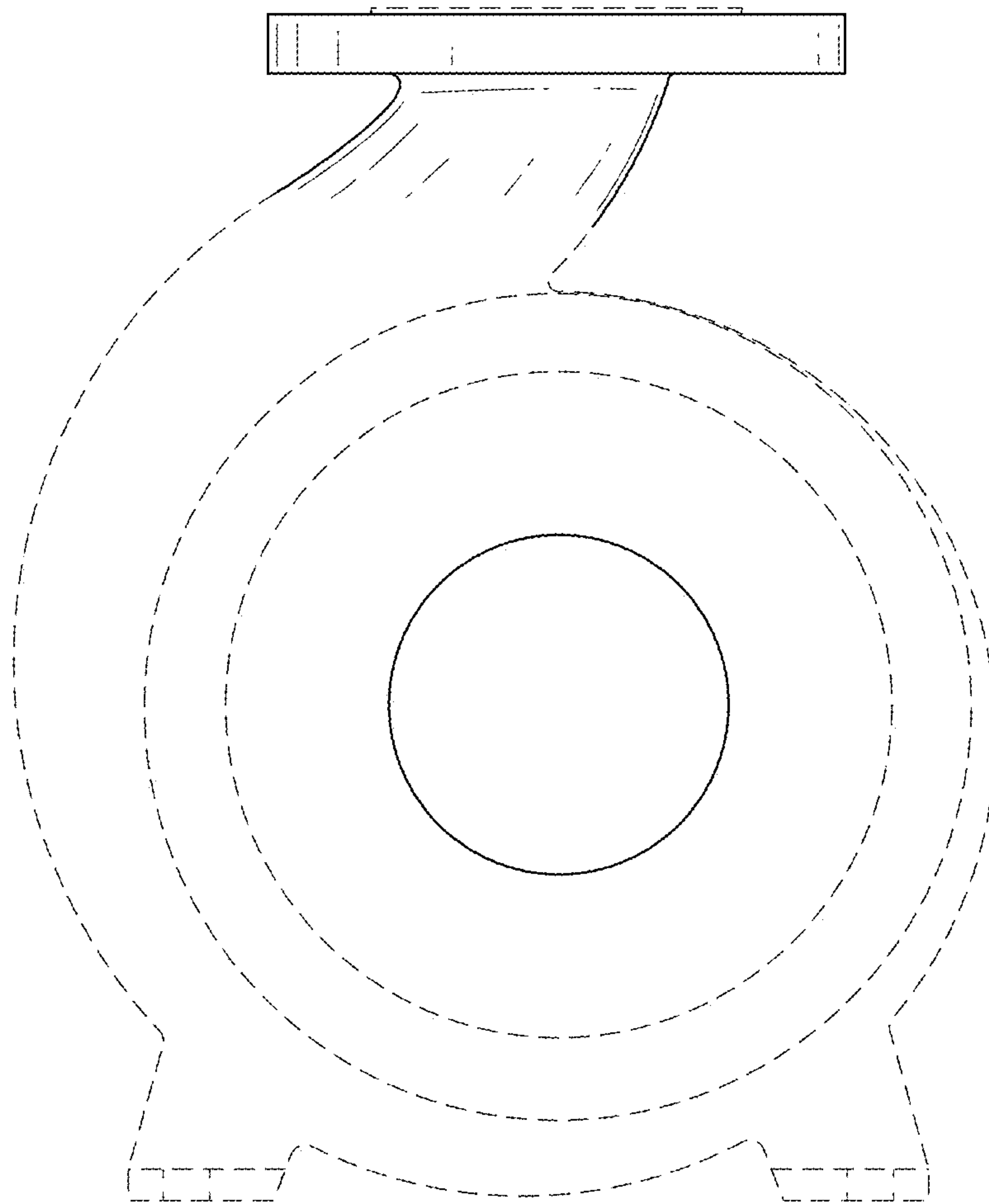


FIG. 3

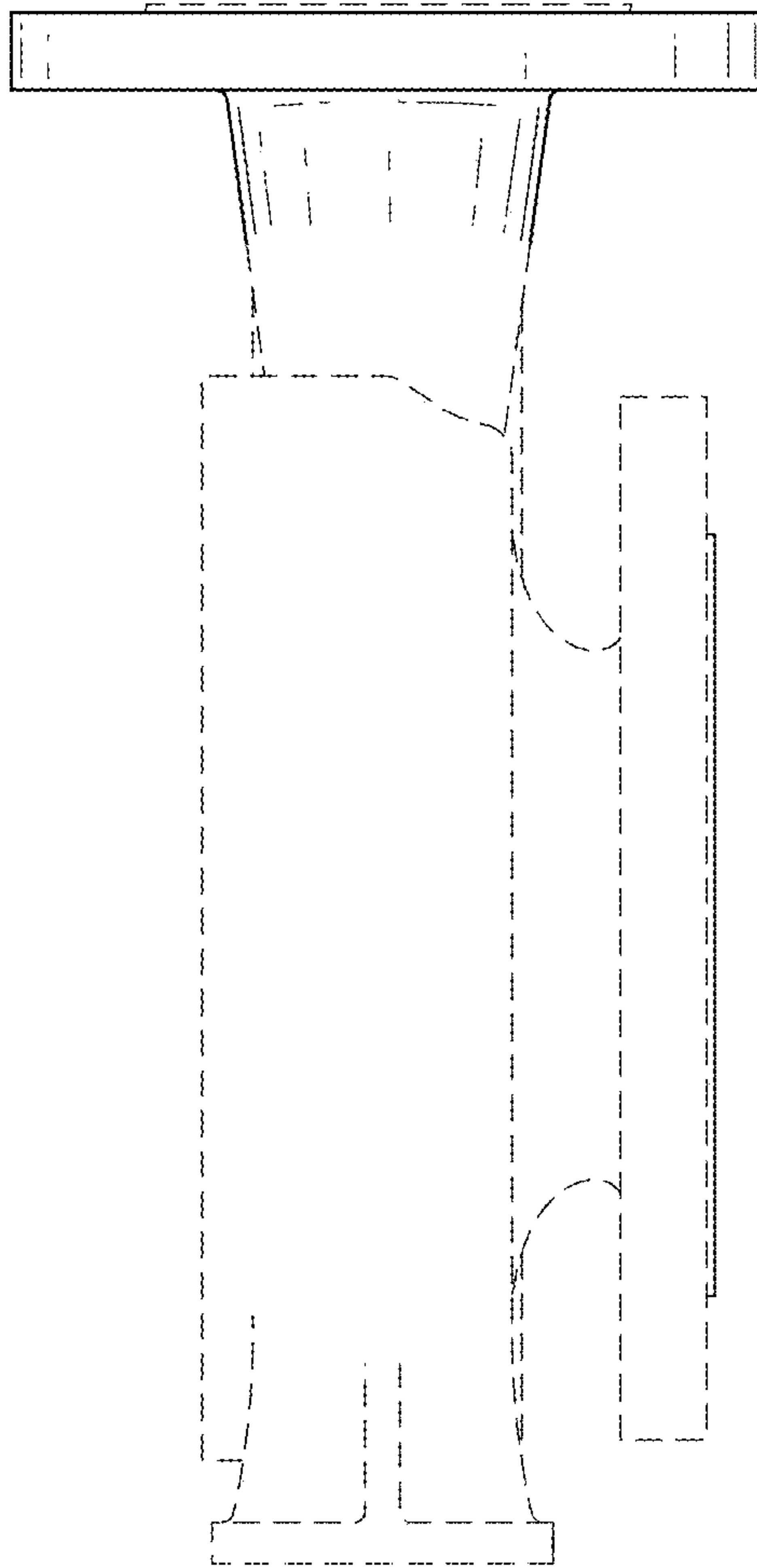


FIG. 4

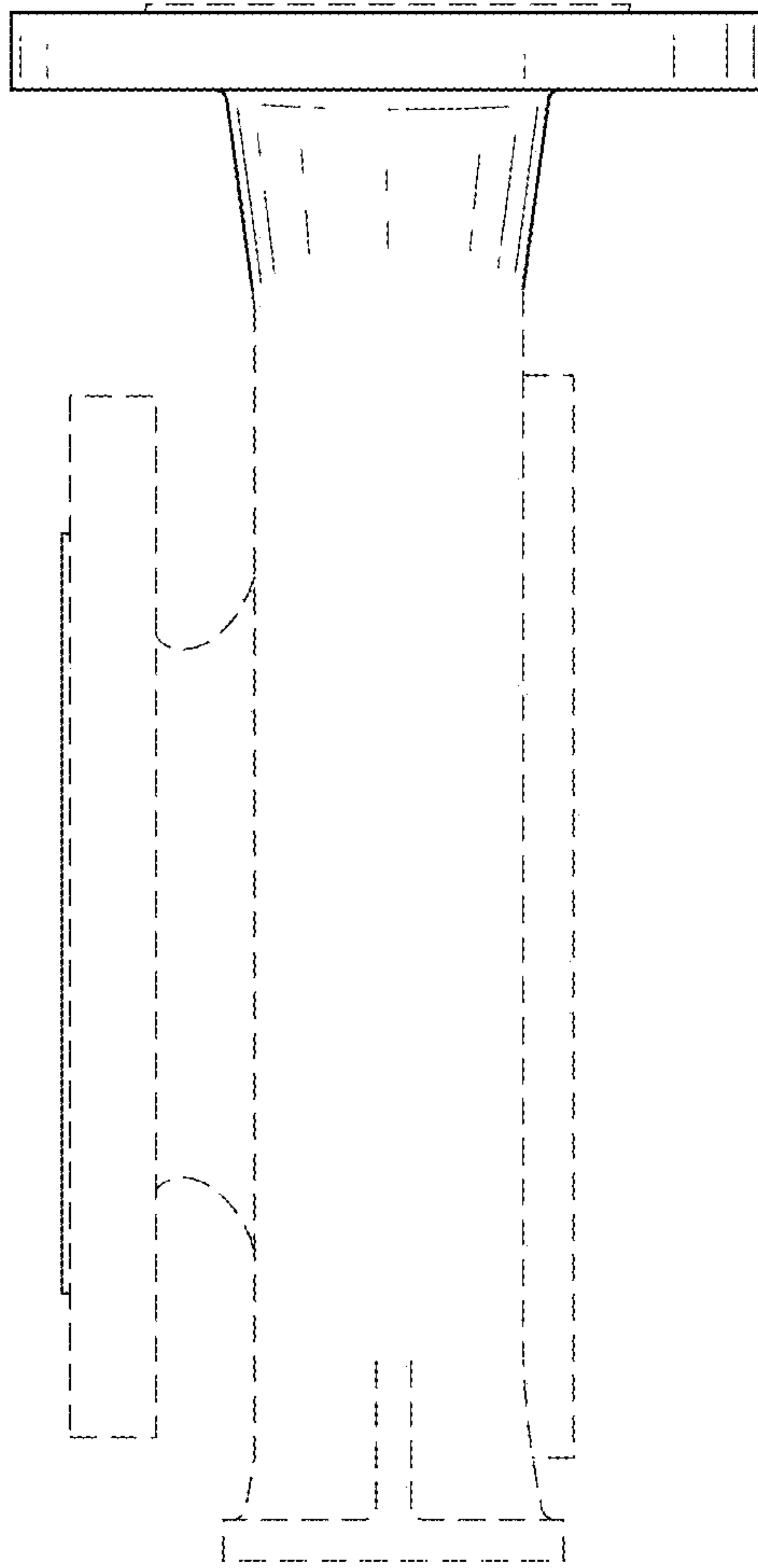


FIG. 5

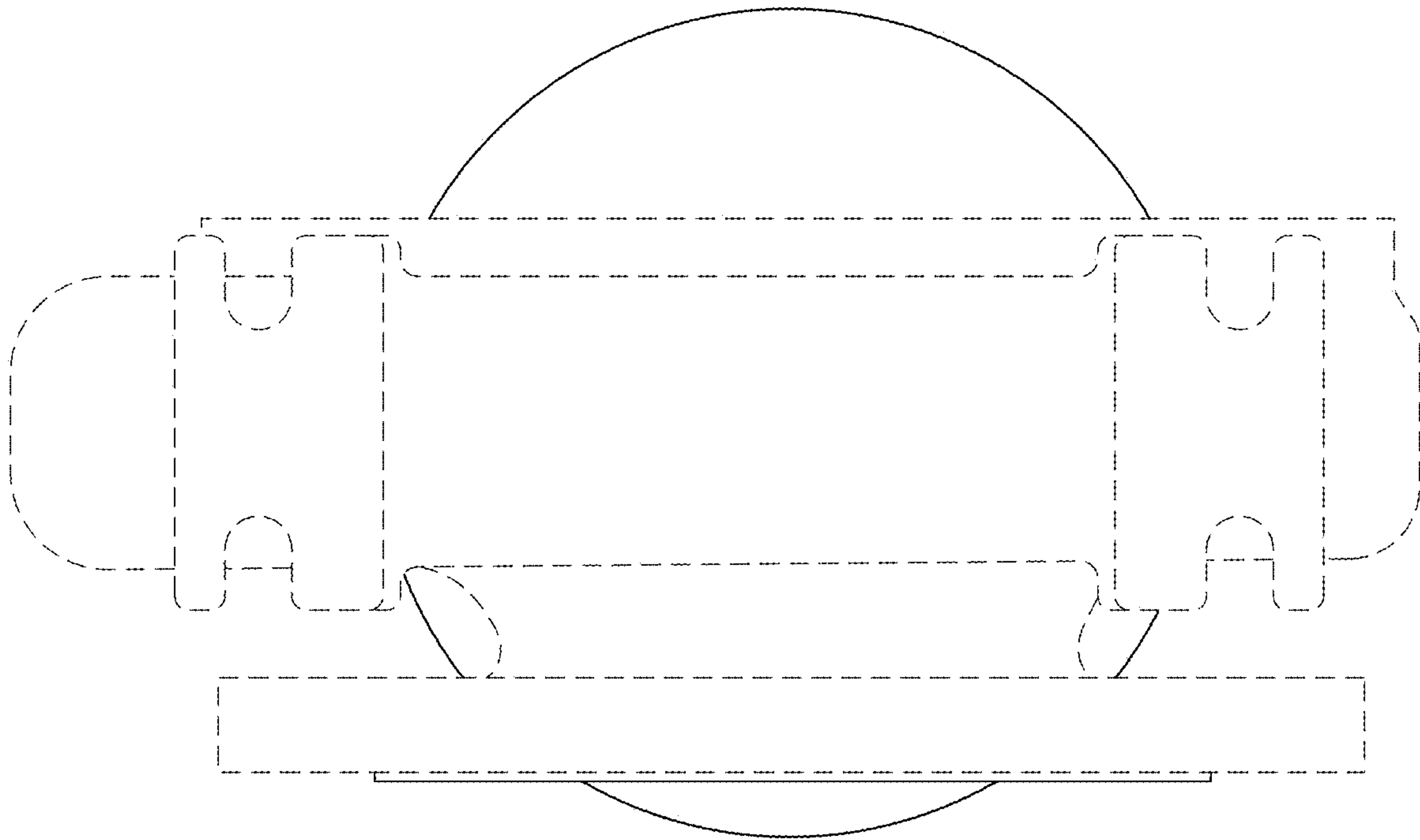


FIG. 6

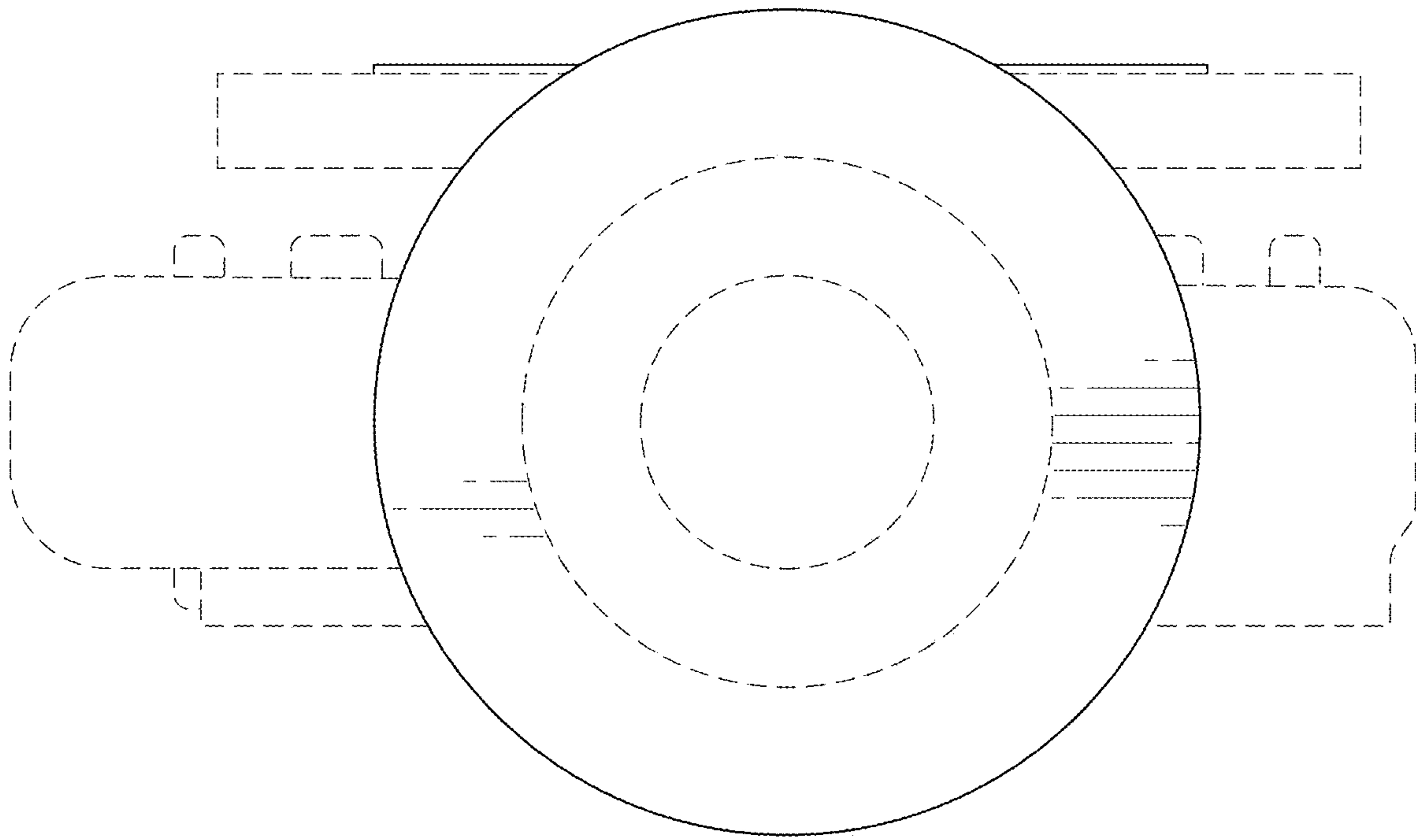


FIG. 7

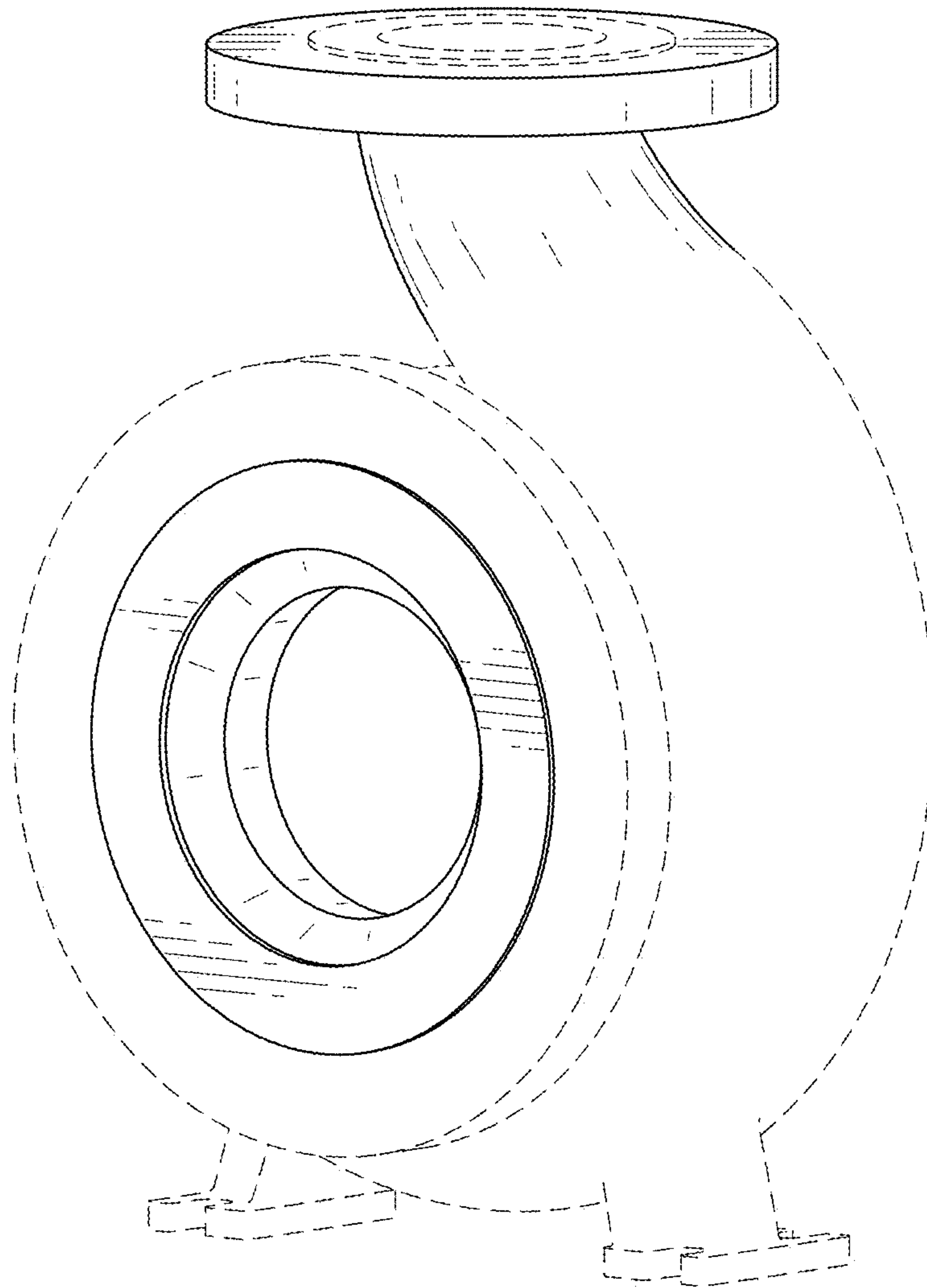


FIG. 8

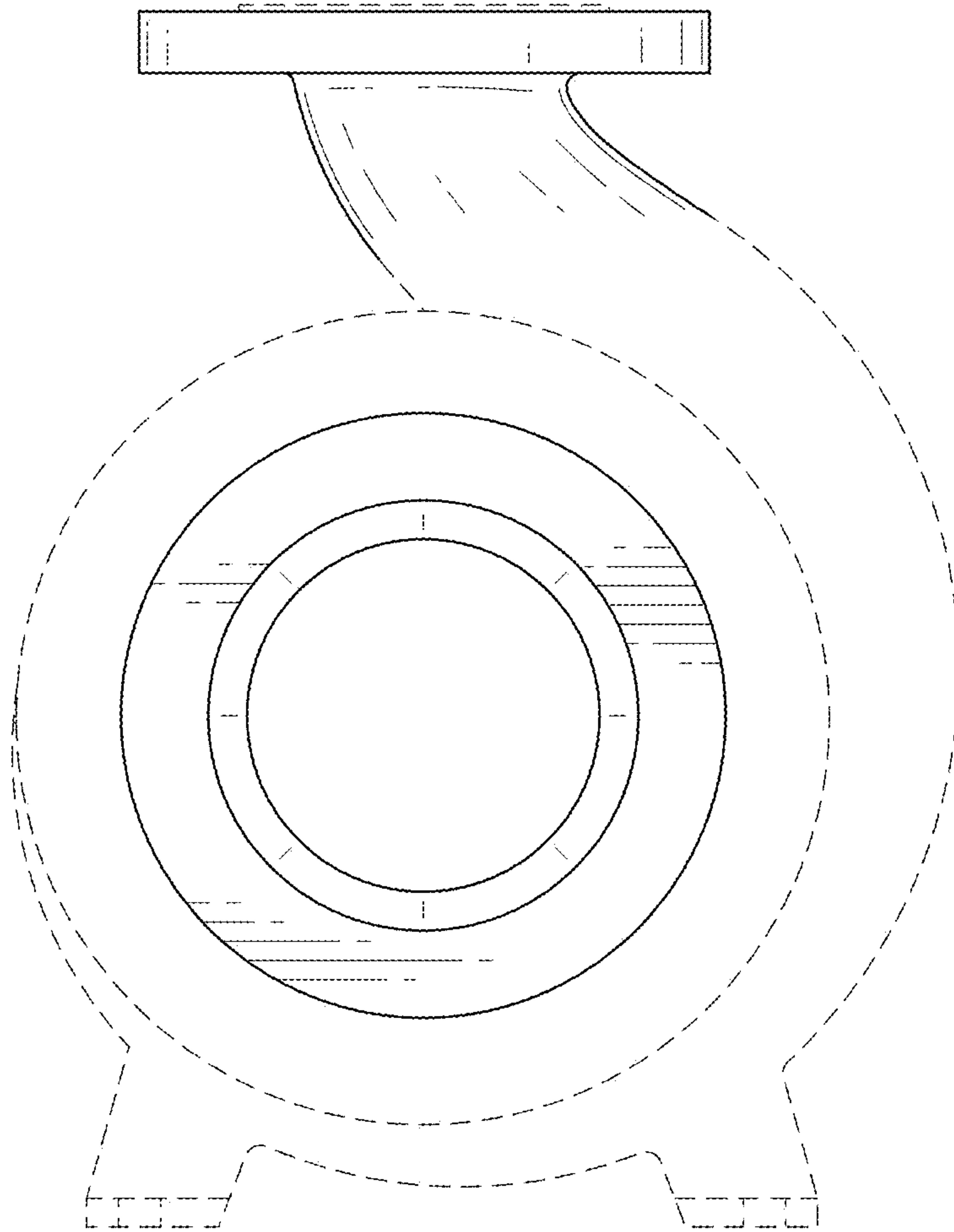


FIG. 9

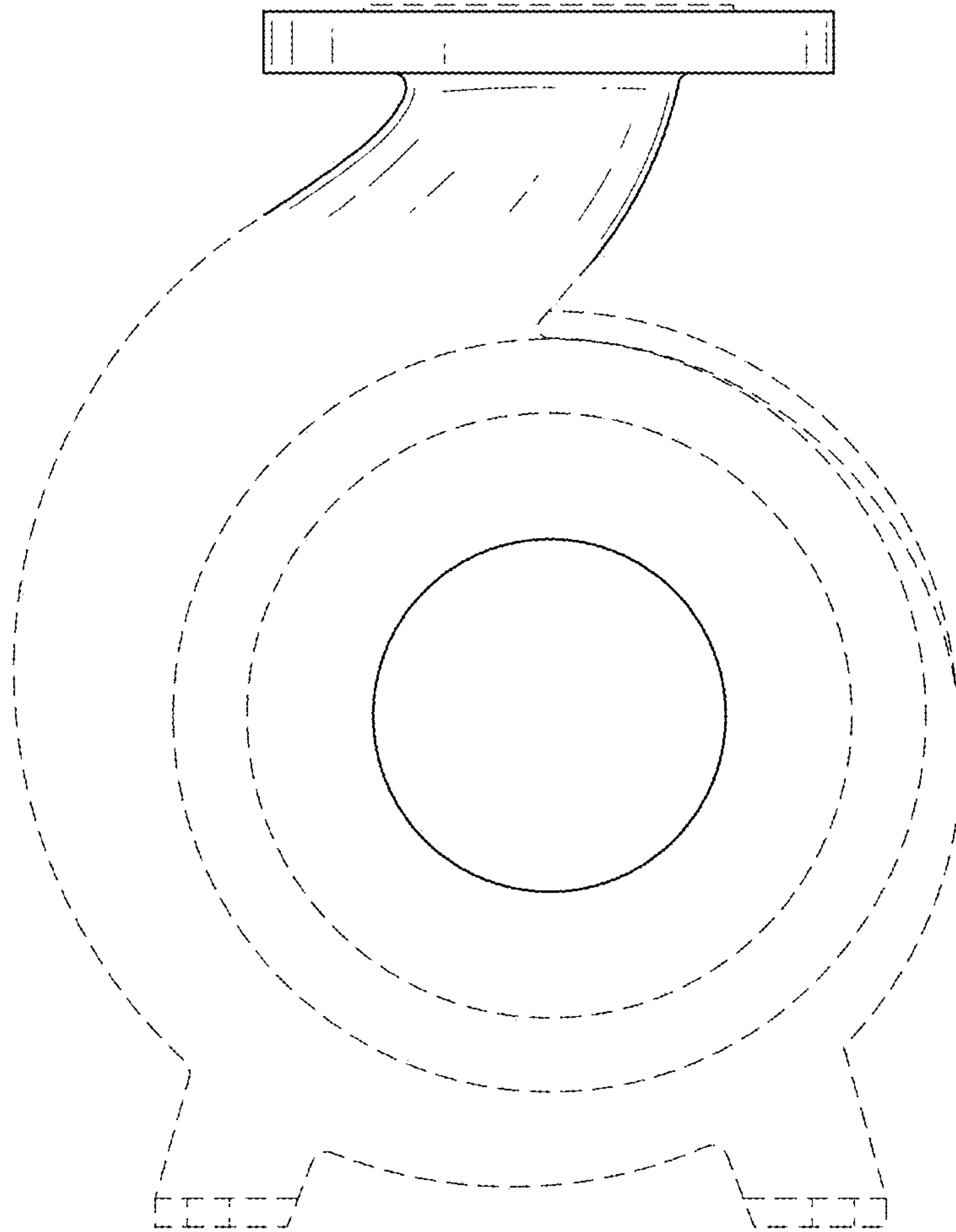


FIG. 10

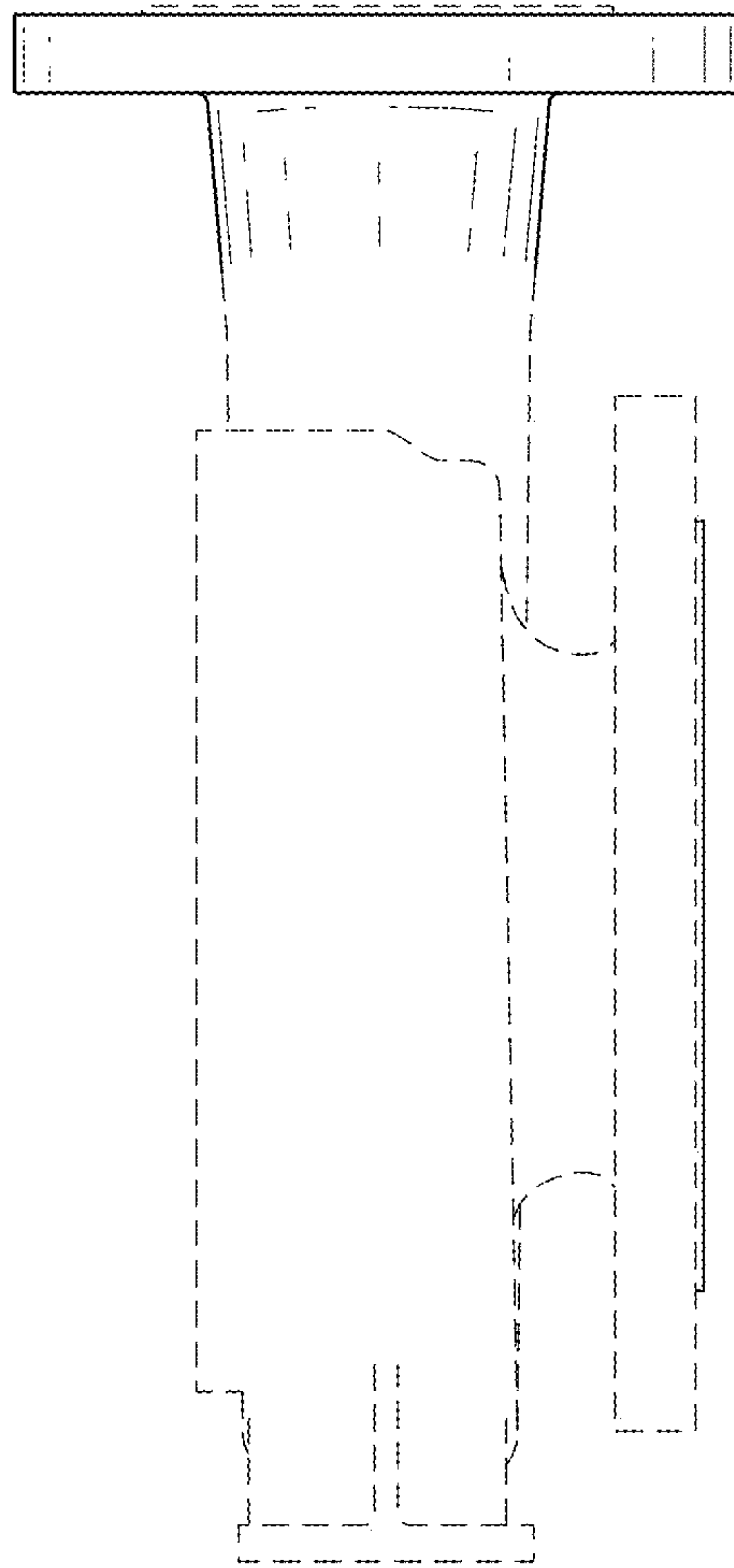


FIG. 11

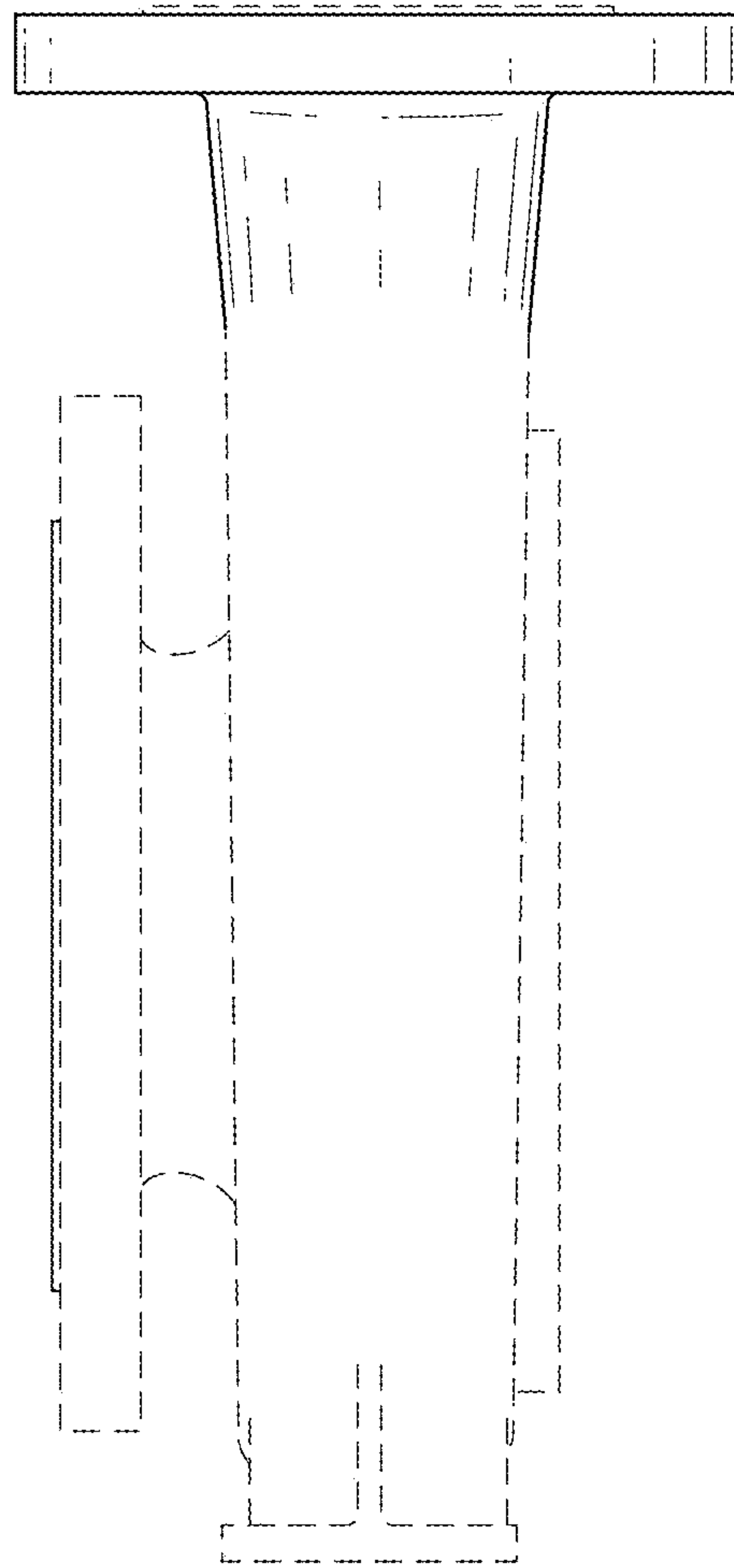


FIG. 12

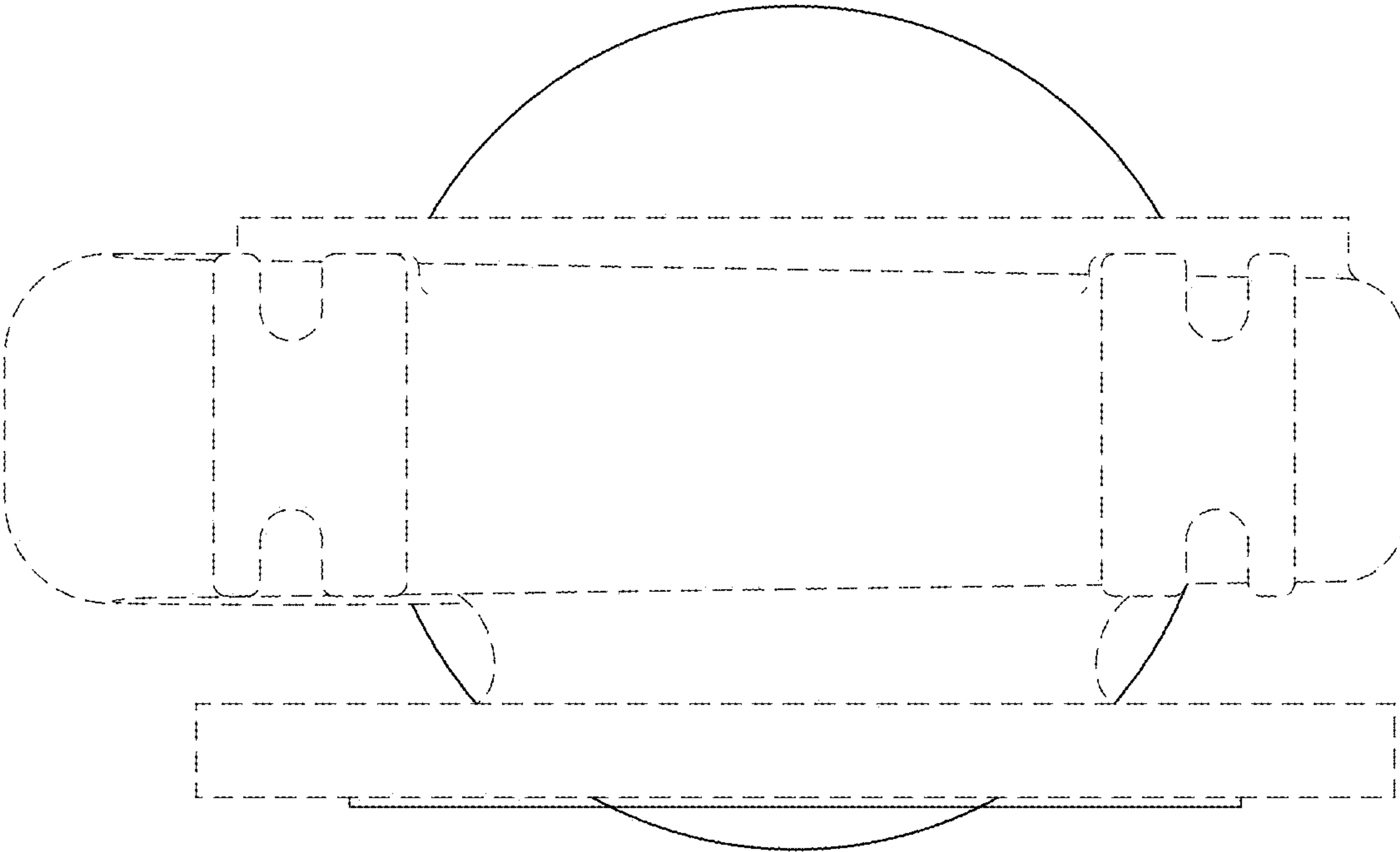


FIG. 13

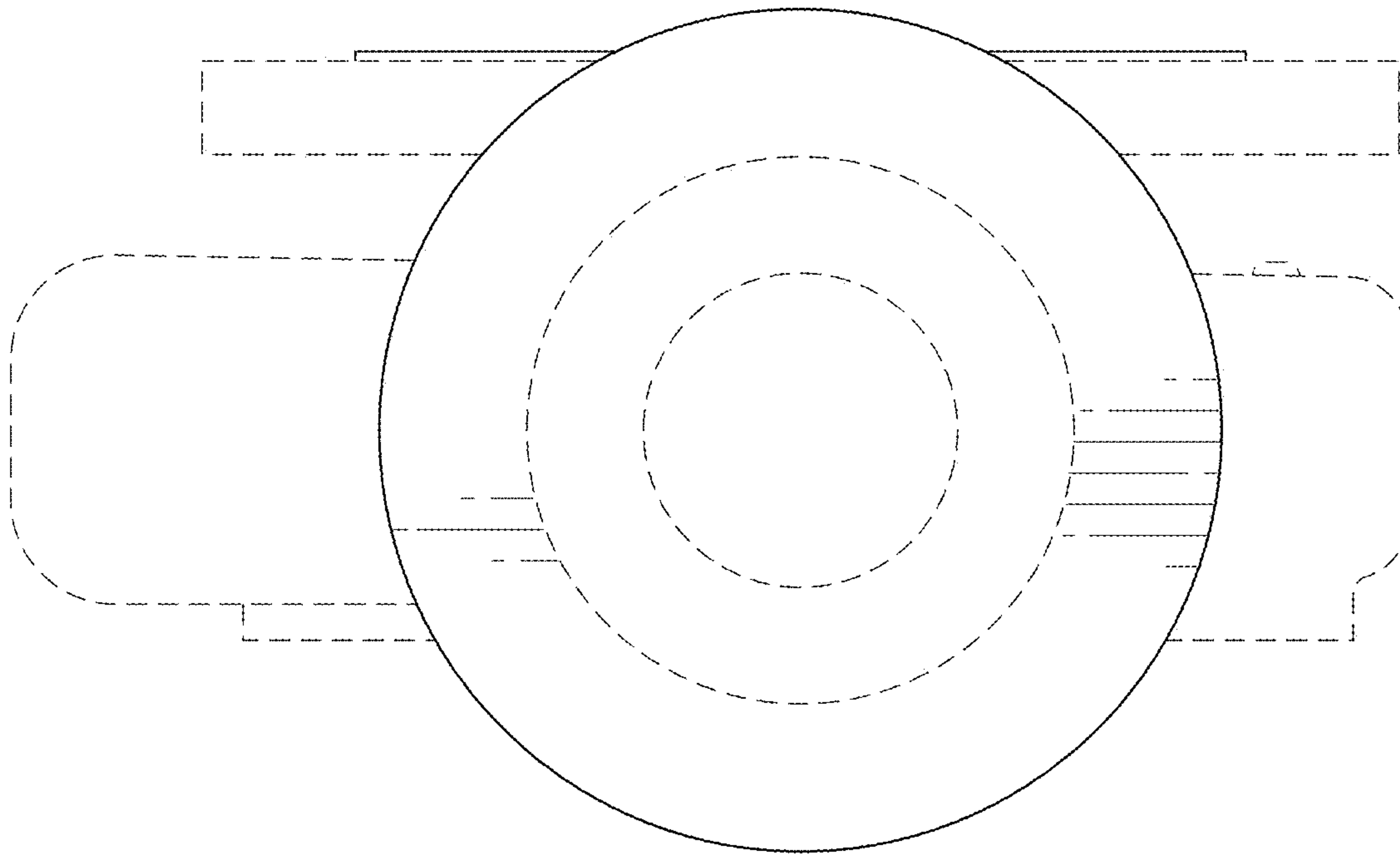


FIG. 14

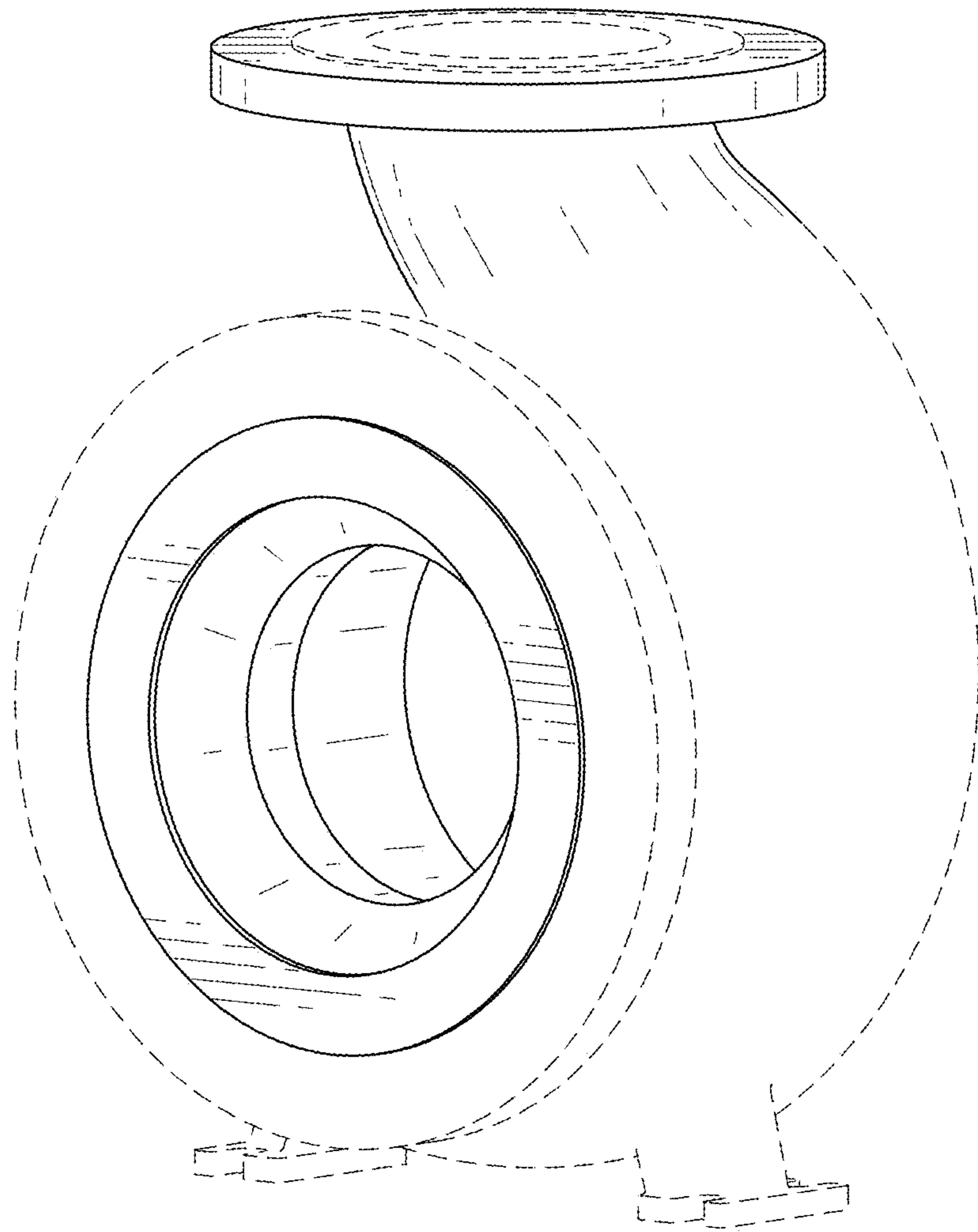


FIG. 15

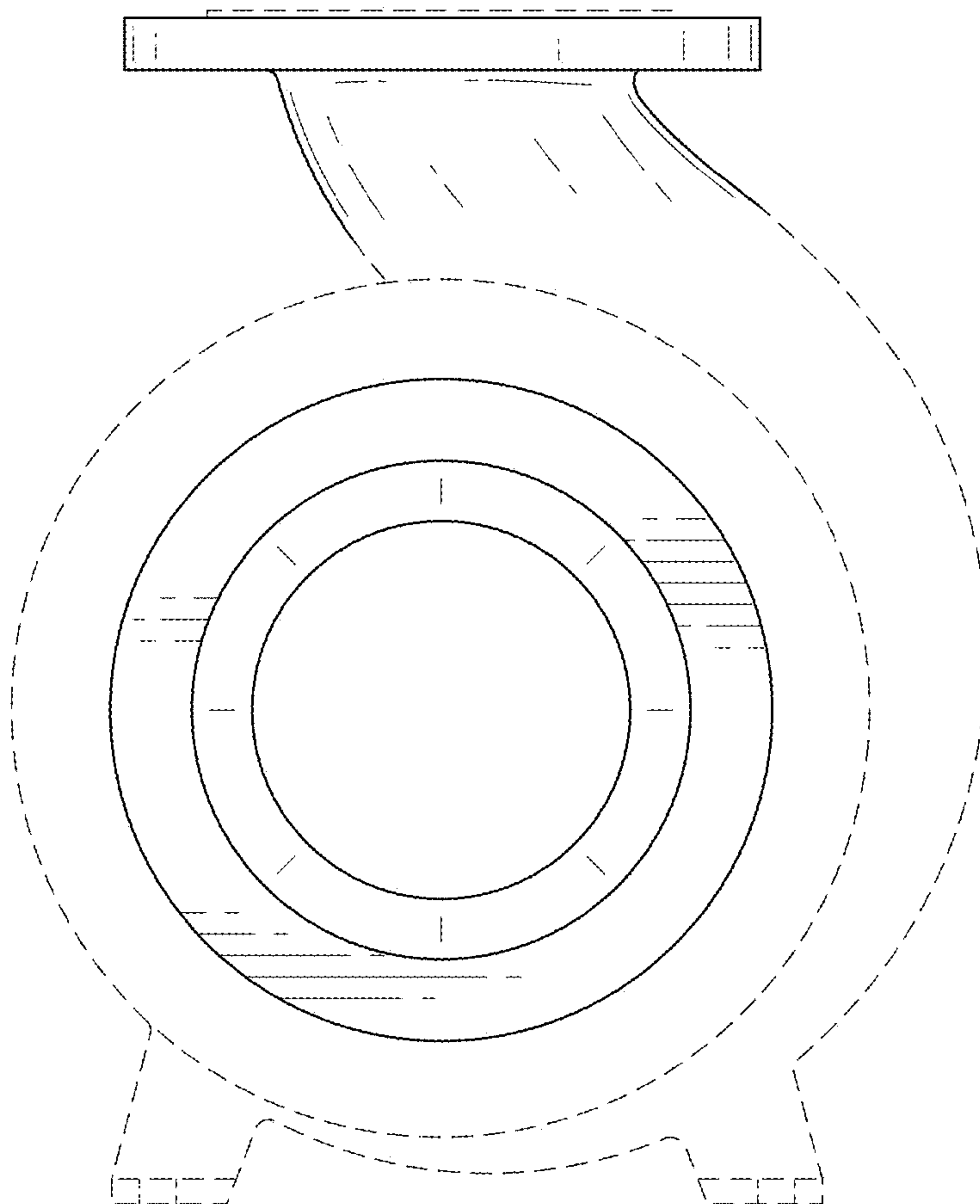


FIG. 16

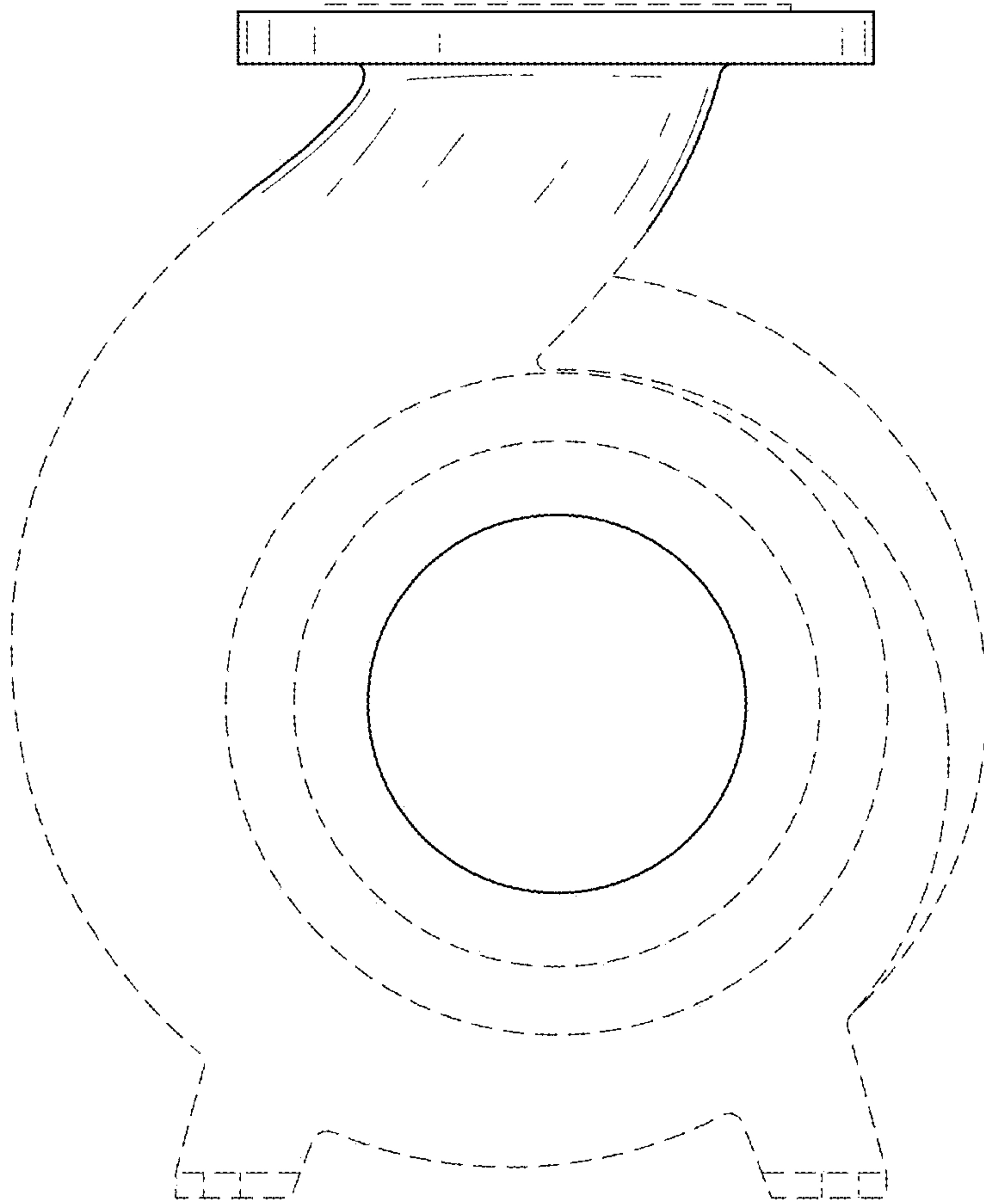


FIG. 17

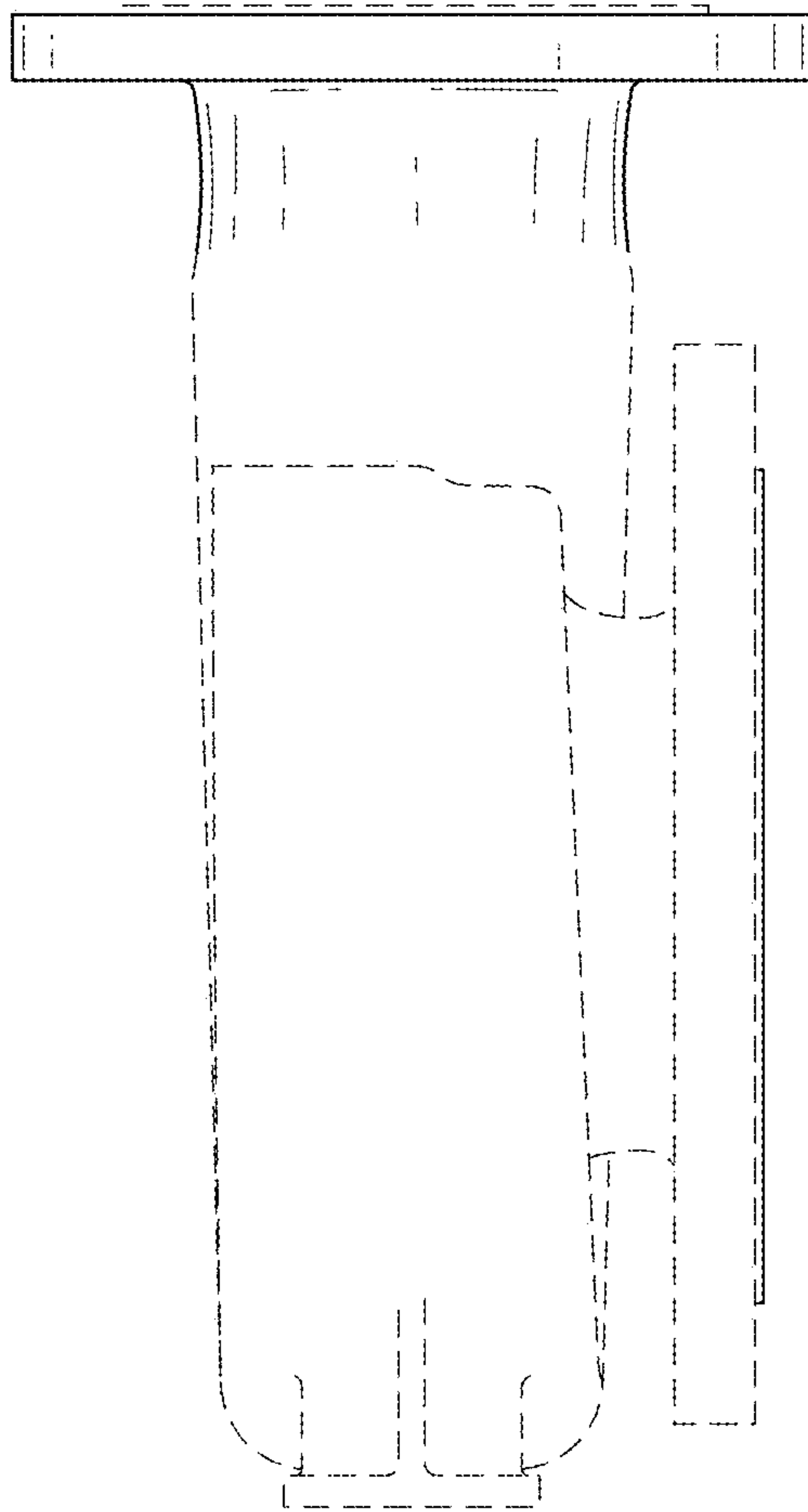


FIG. 18

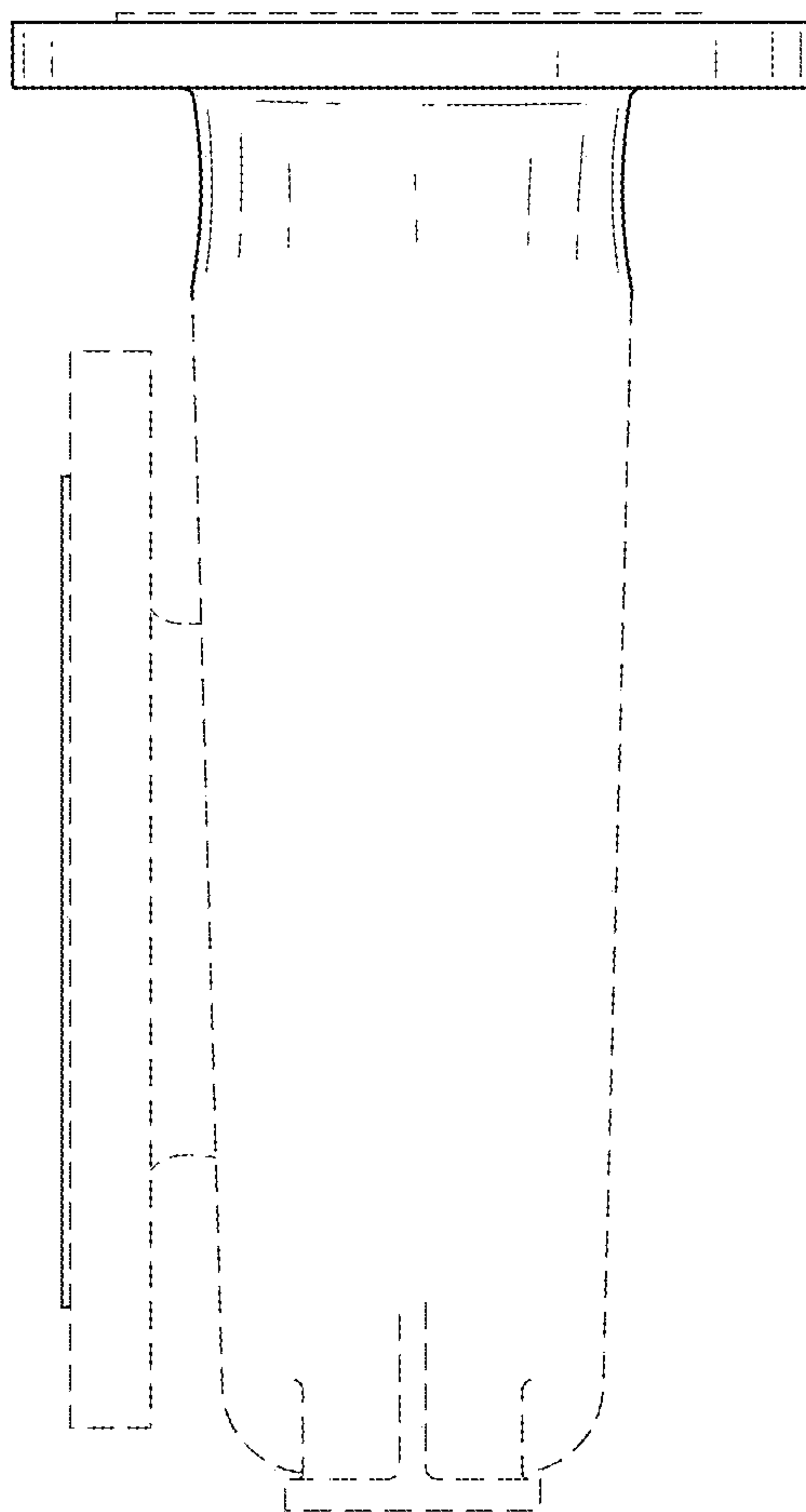


FIG. 19

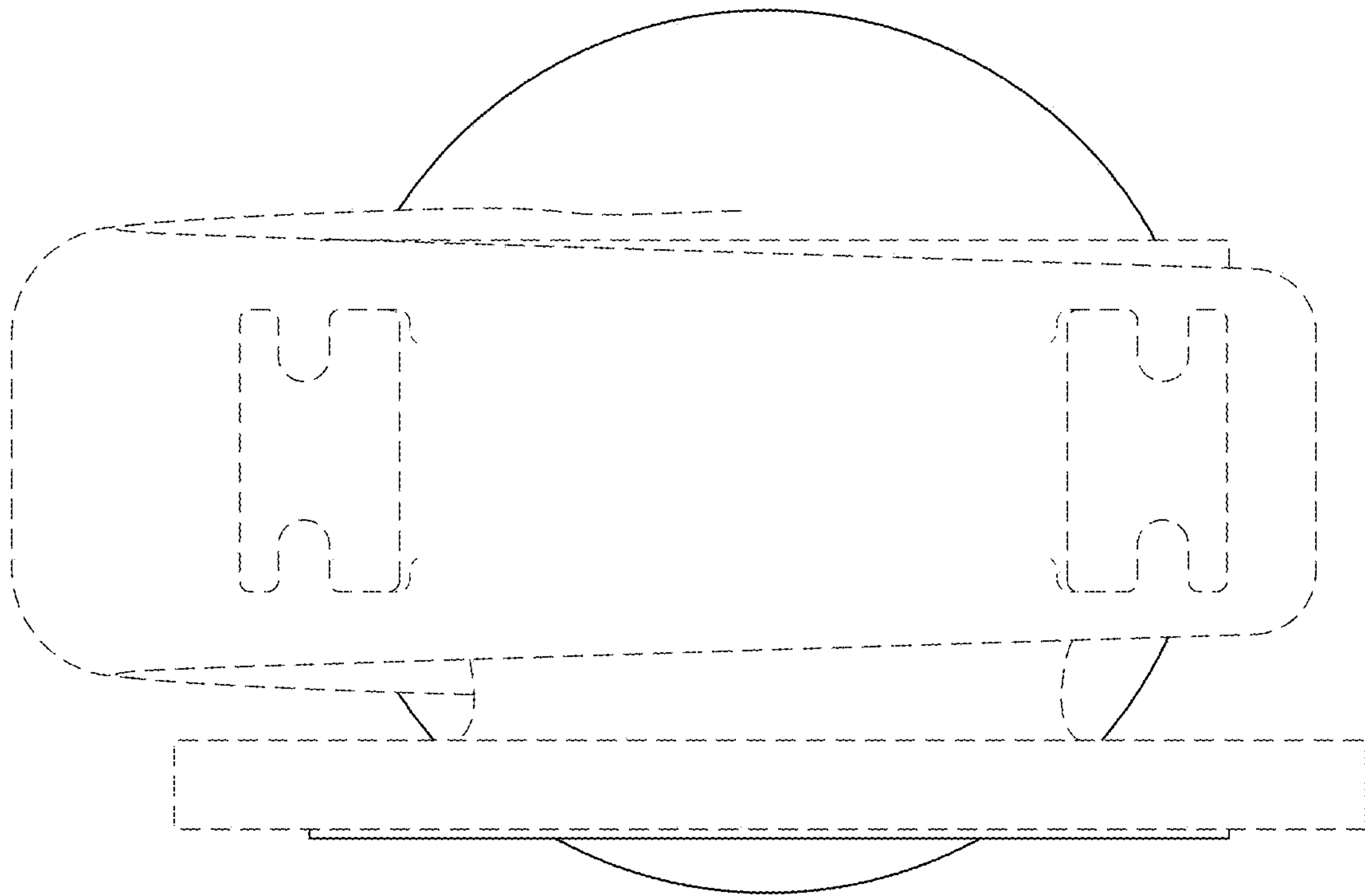


FIG. 20

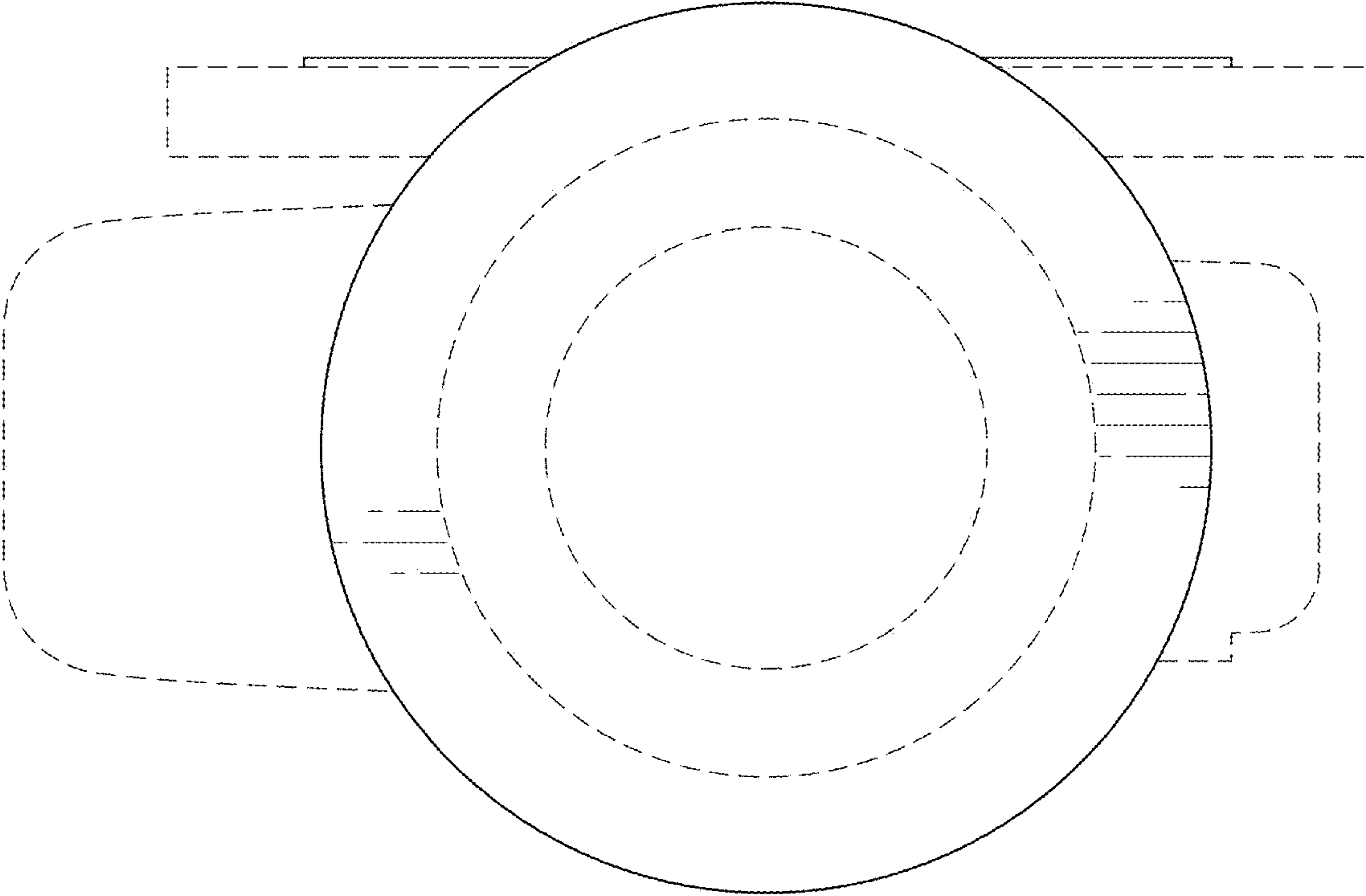


FIG. 21

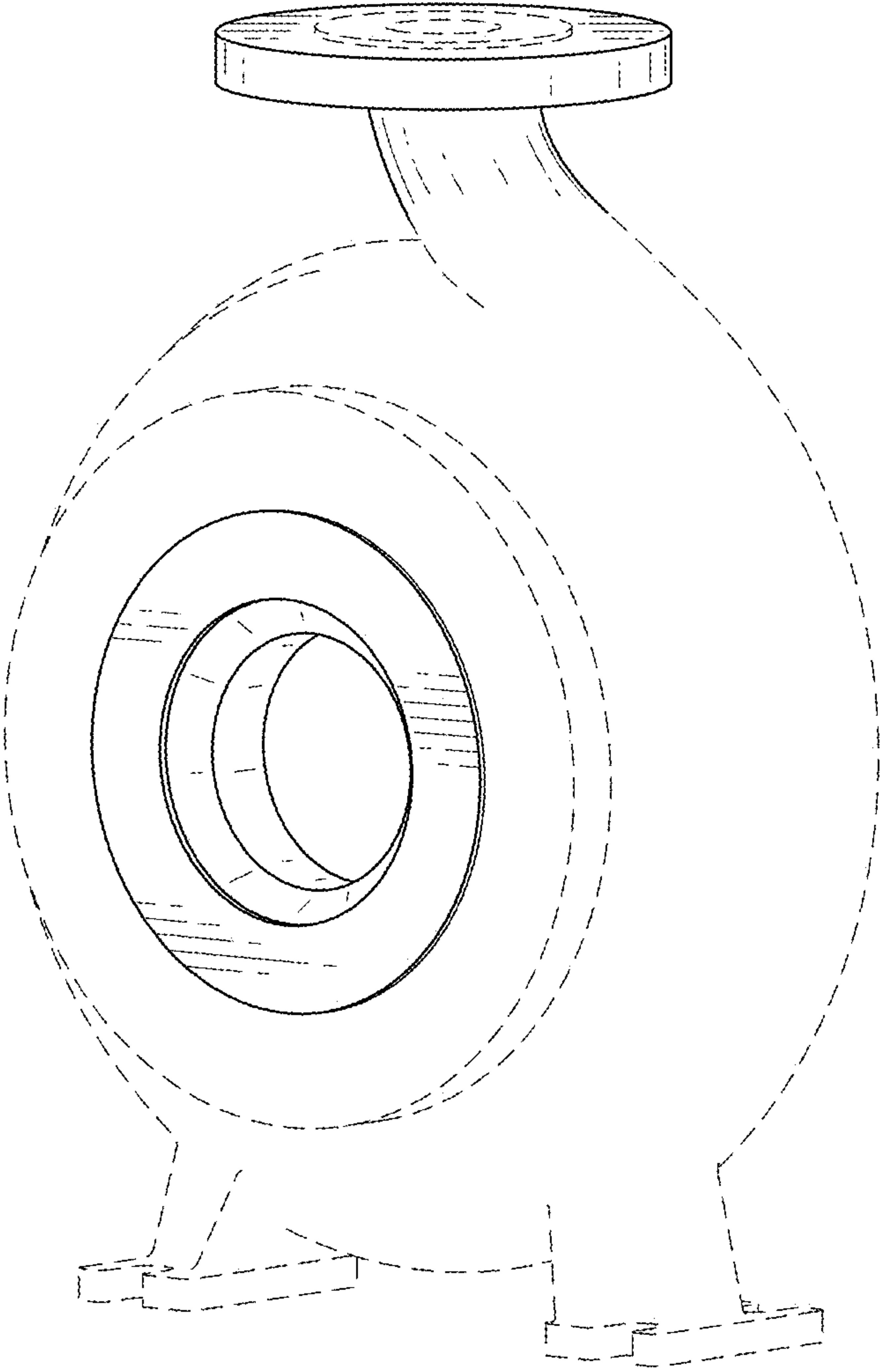


FIG. 22

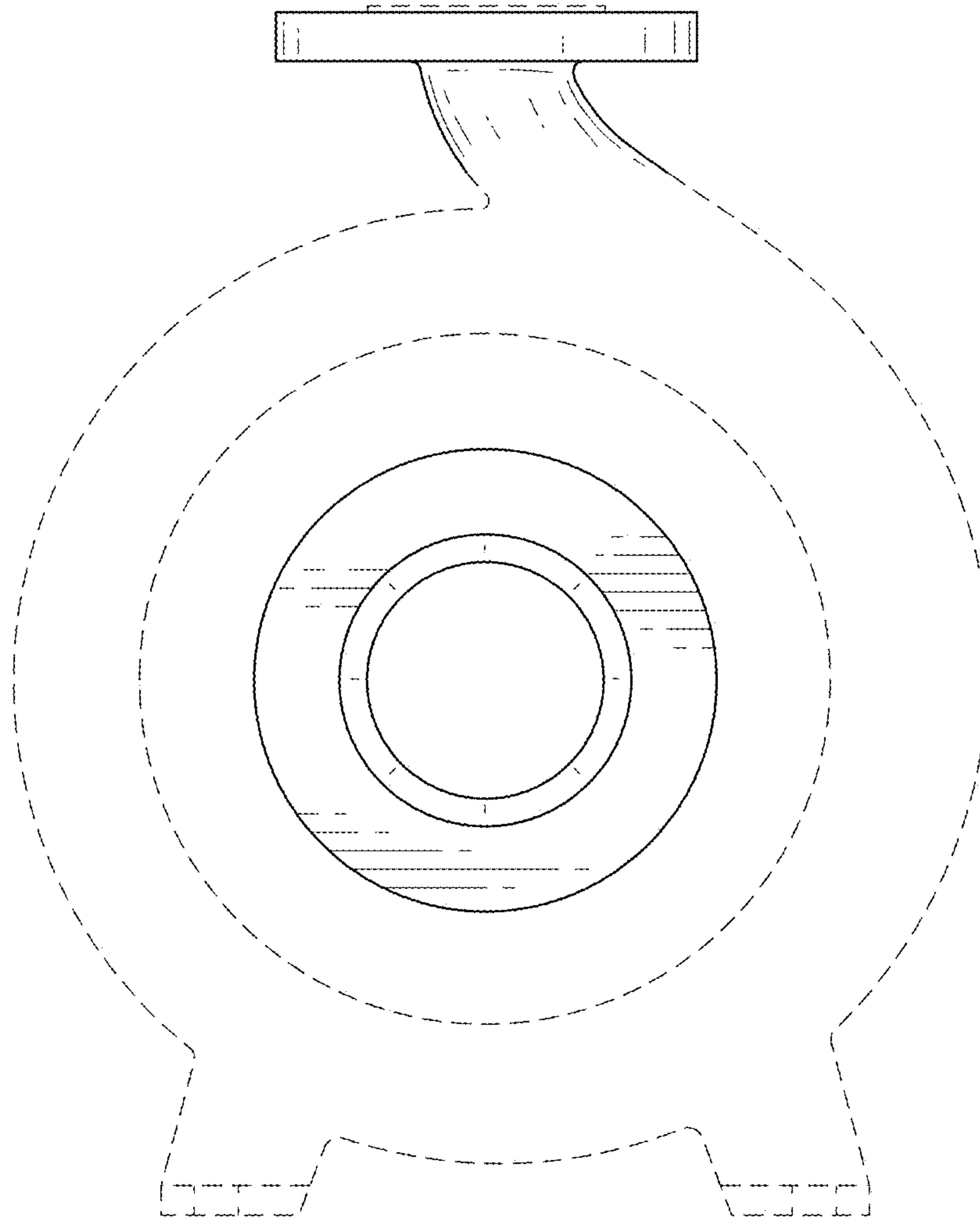


FIG. 23

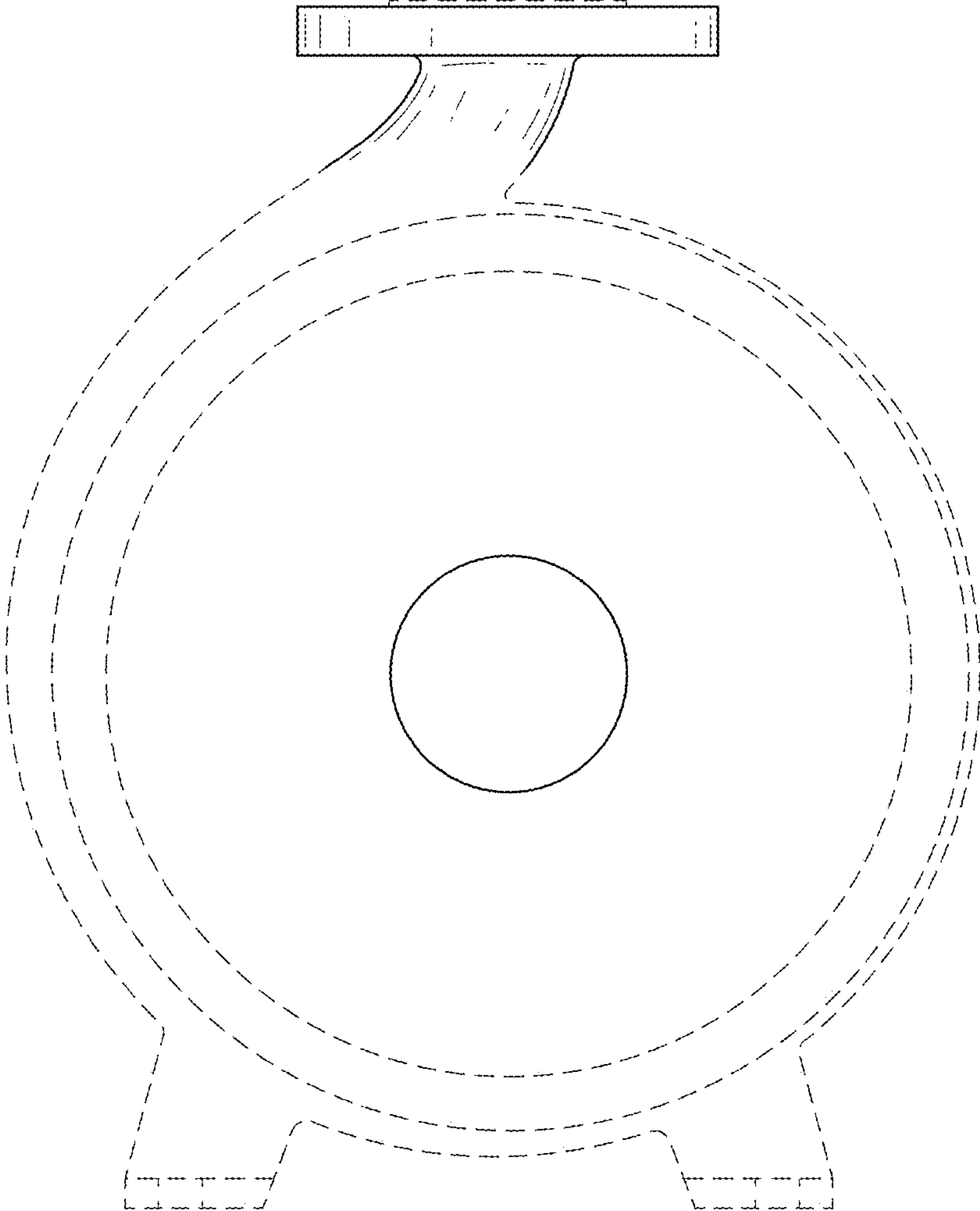


FIG. 24

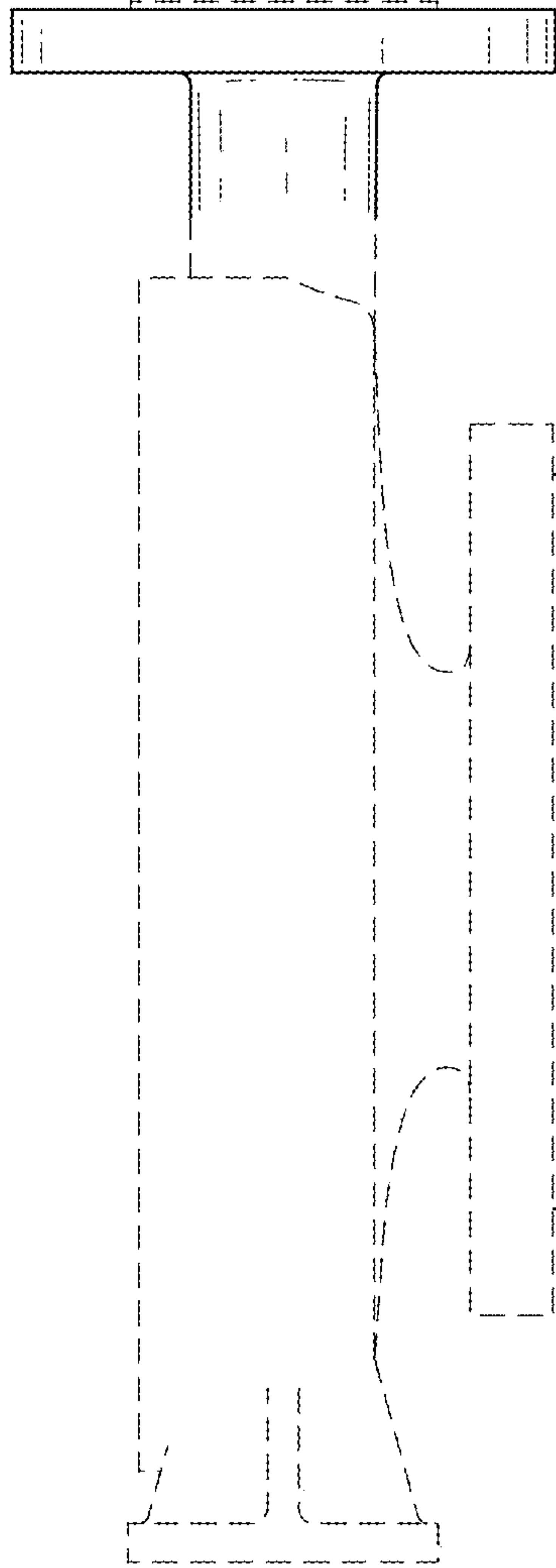


FIG. 25

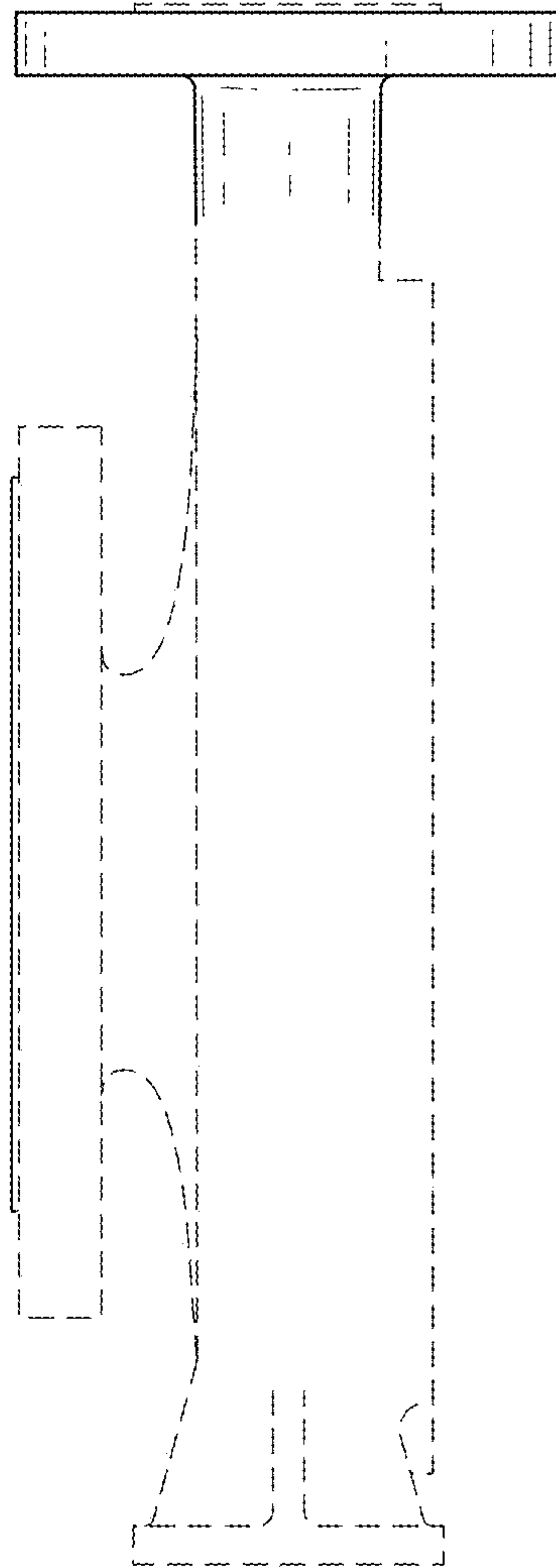


FIG. 26

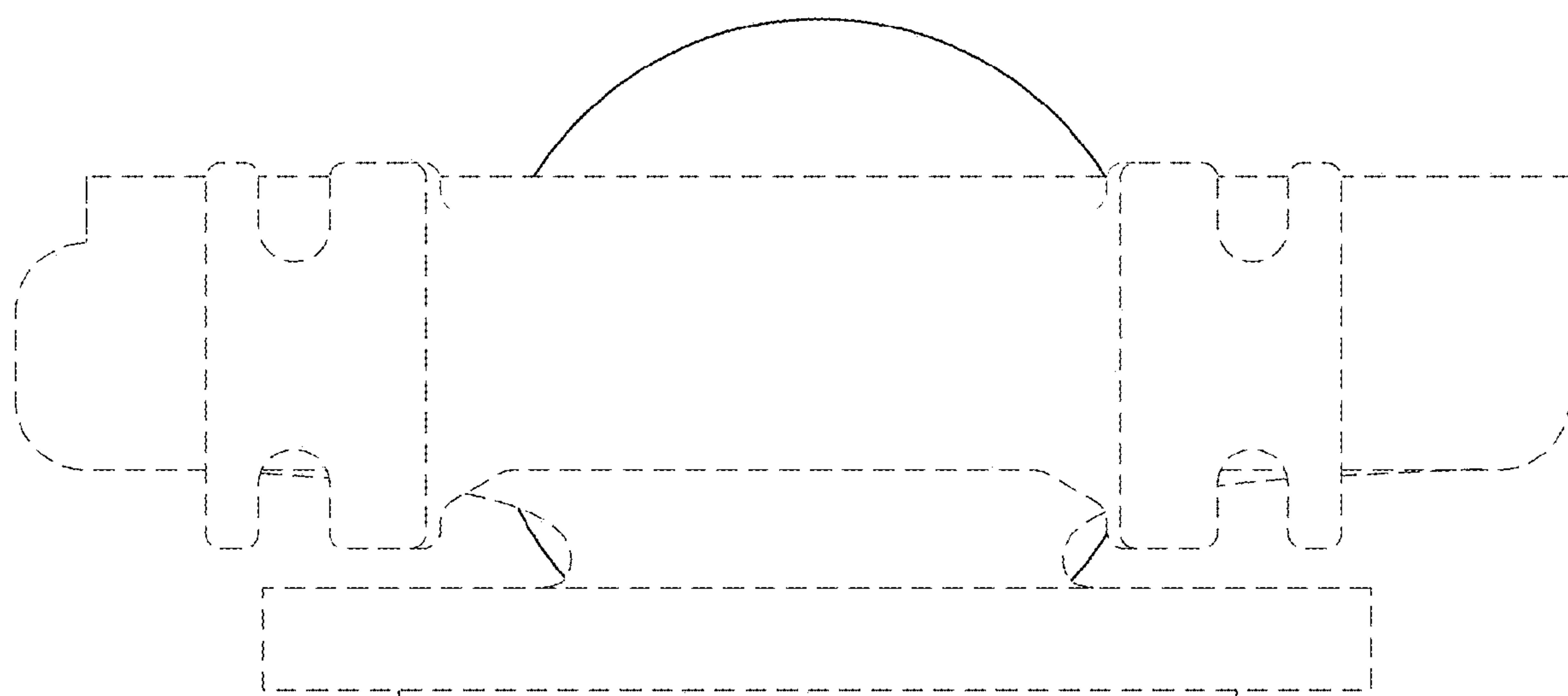


FIG. 27

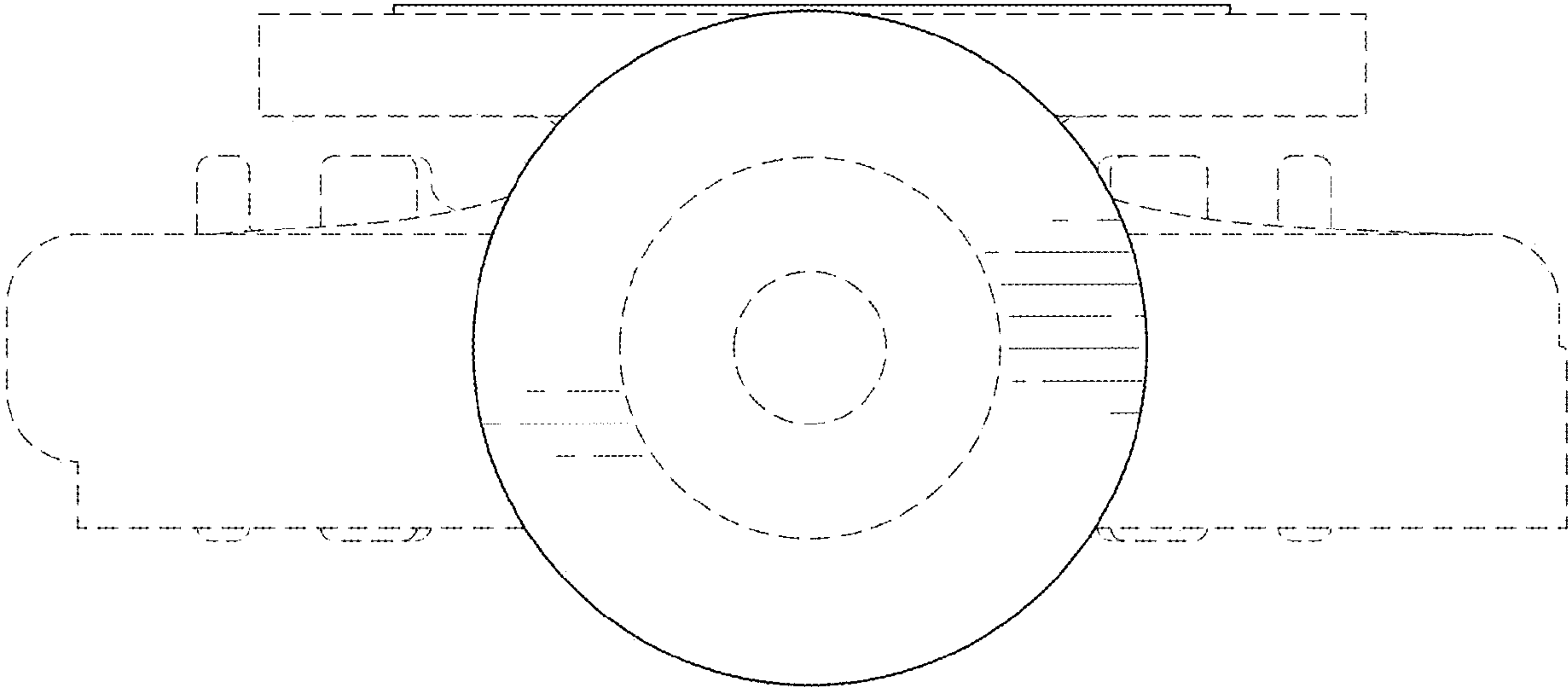


FIG. 28

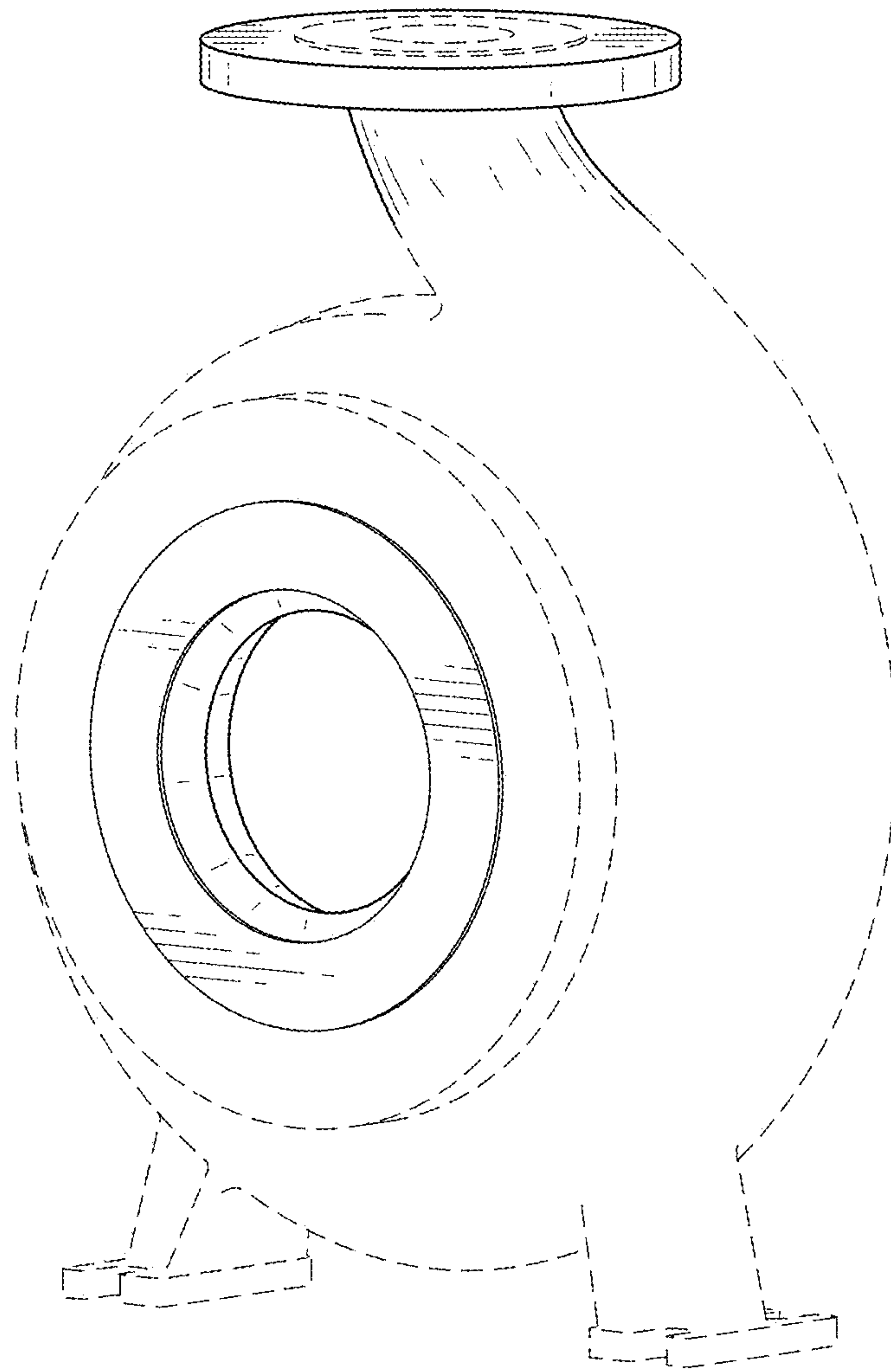


FIG. 29

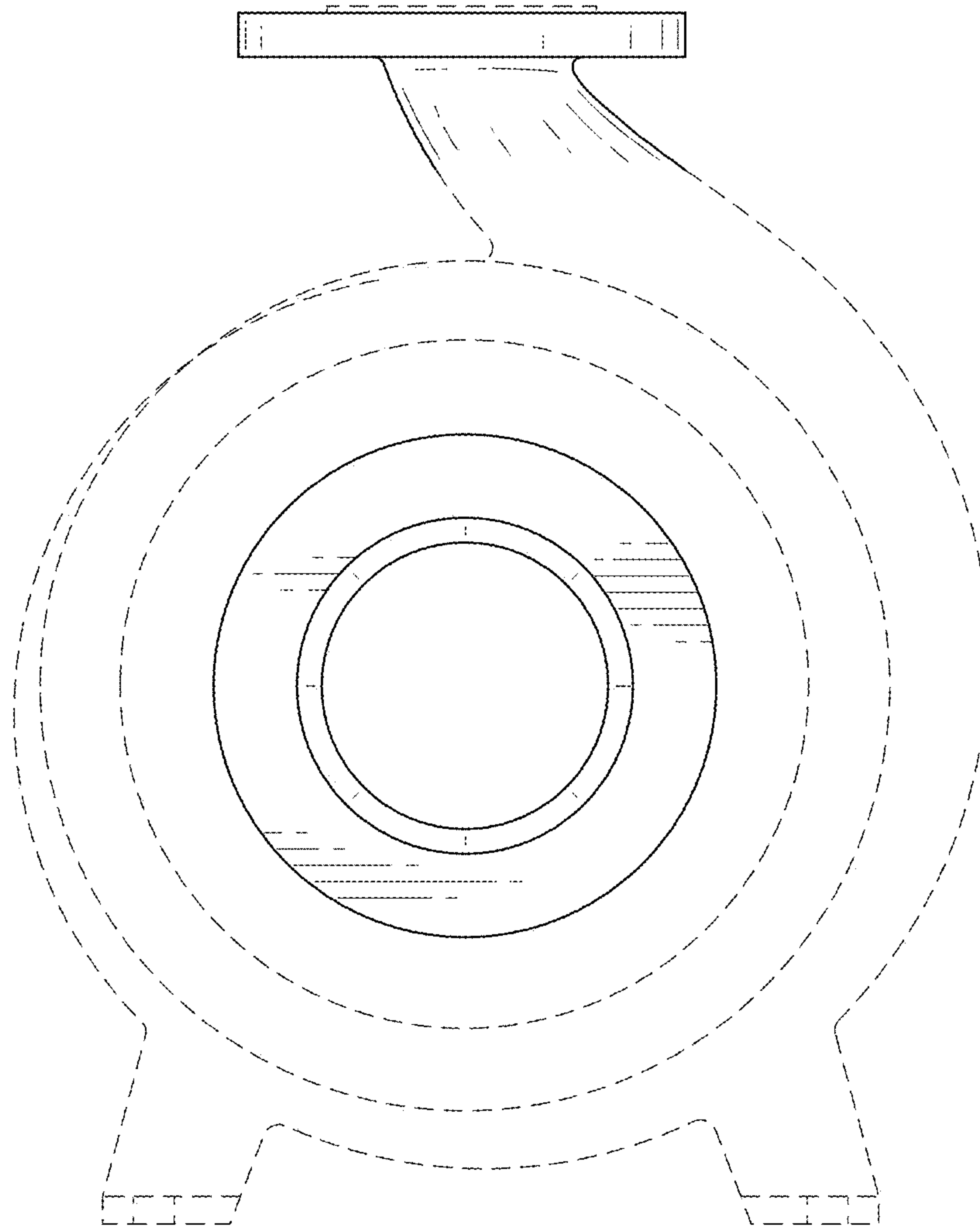


FIG. 30

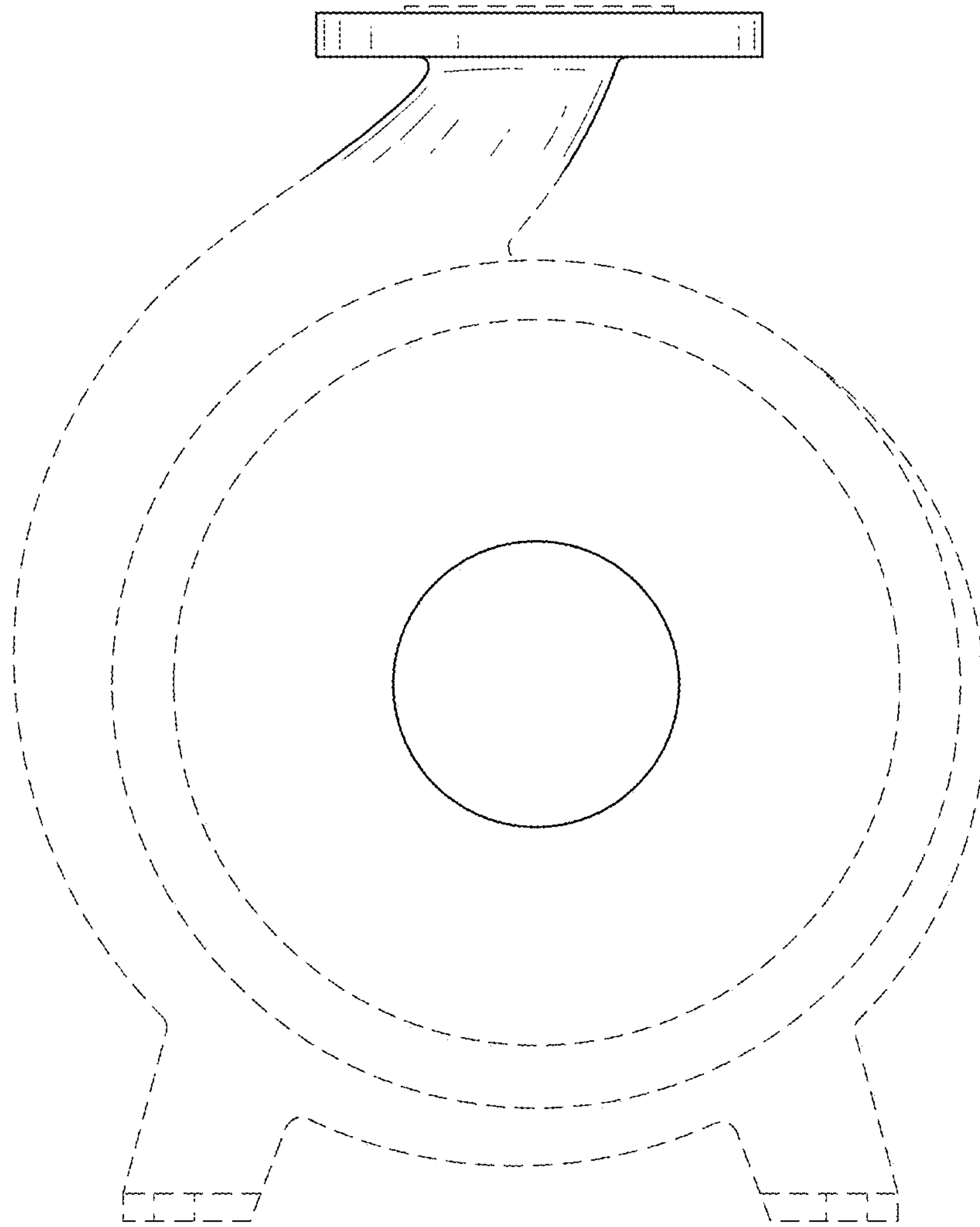


FIG. 31

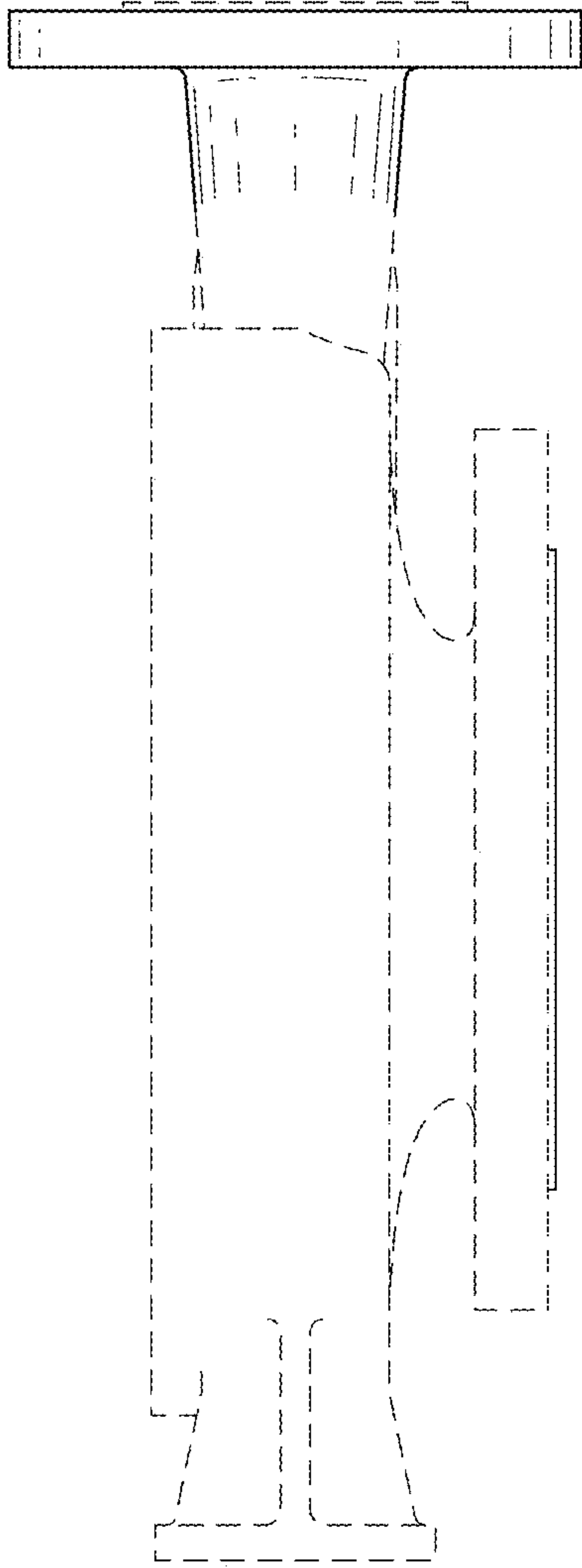


FIG. 32

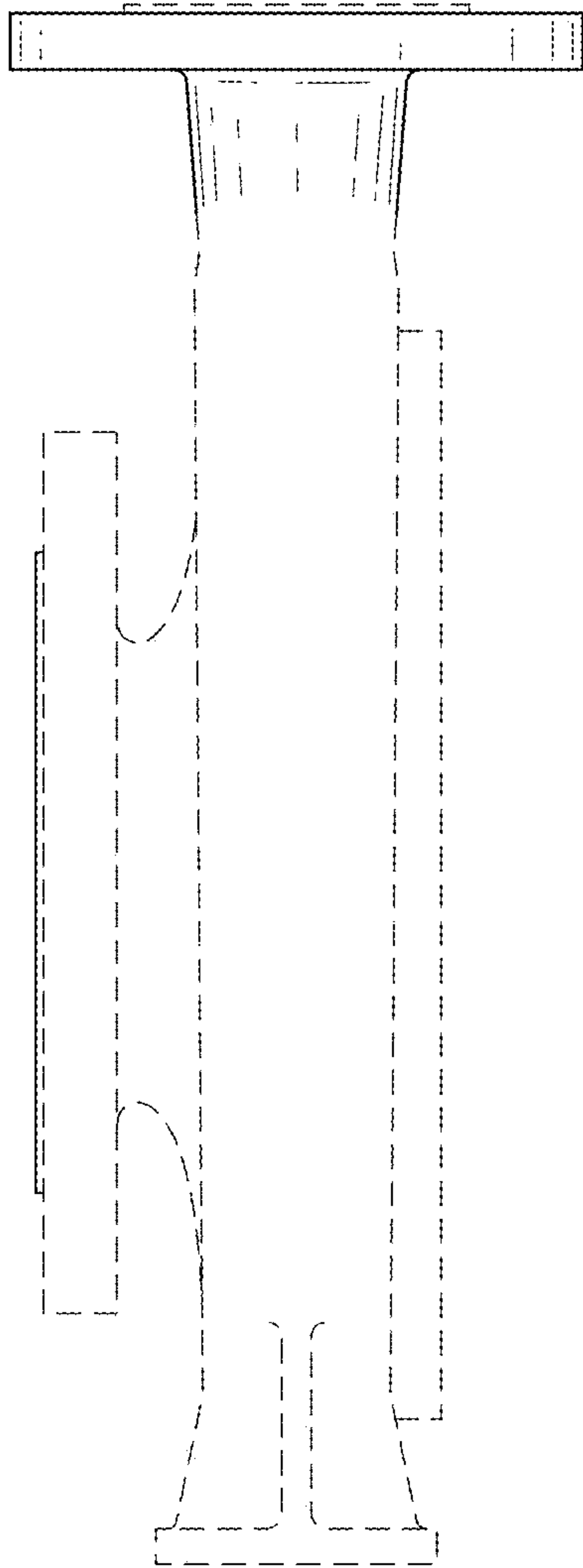


FIG. 33

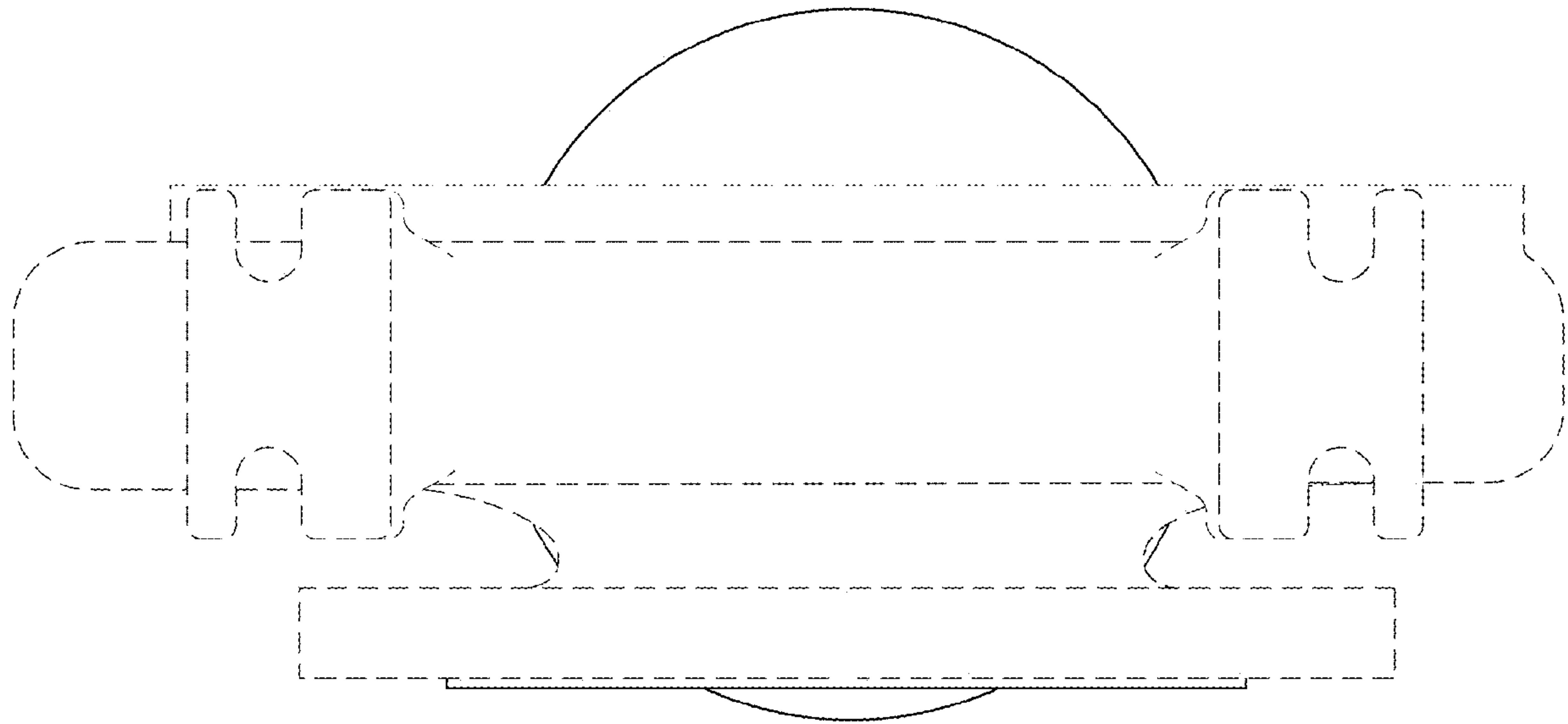


FIG. 34

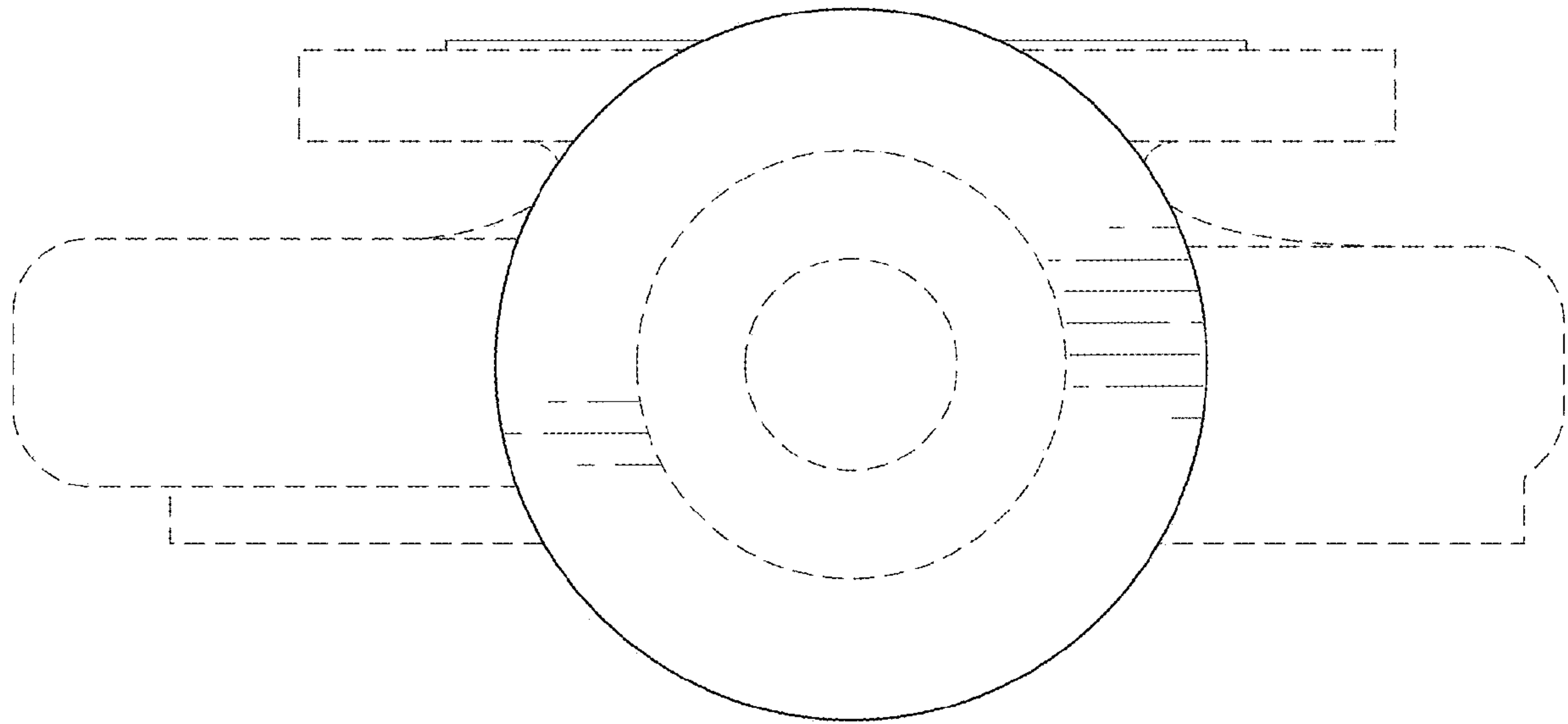


FIG. 35

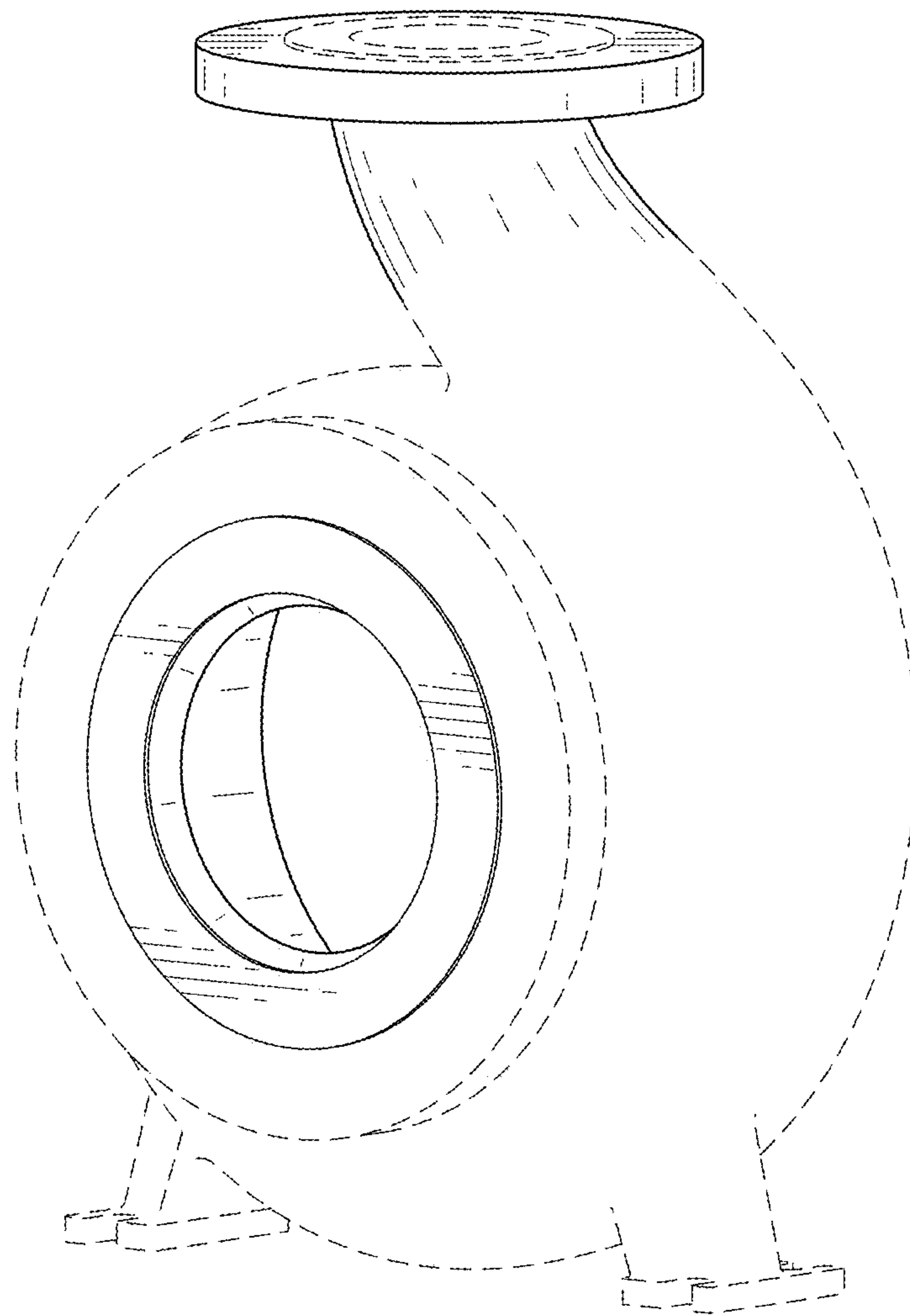


FIG. 36

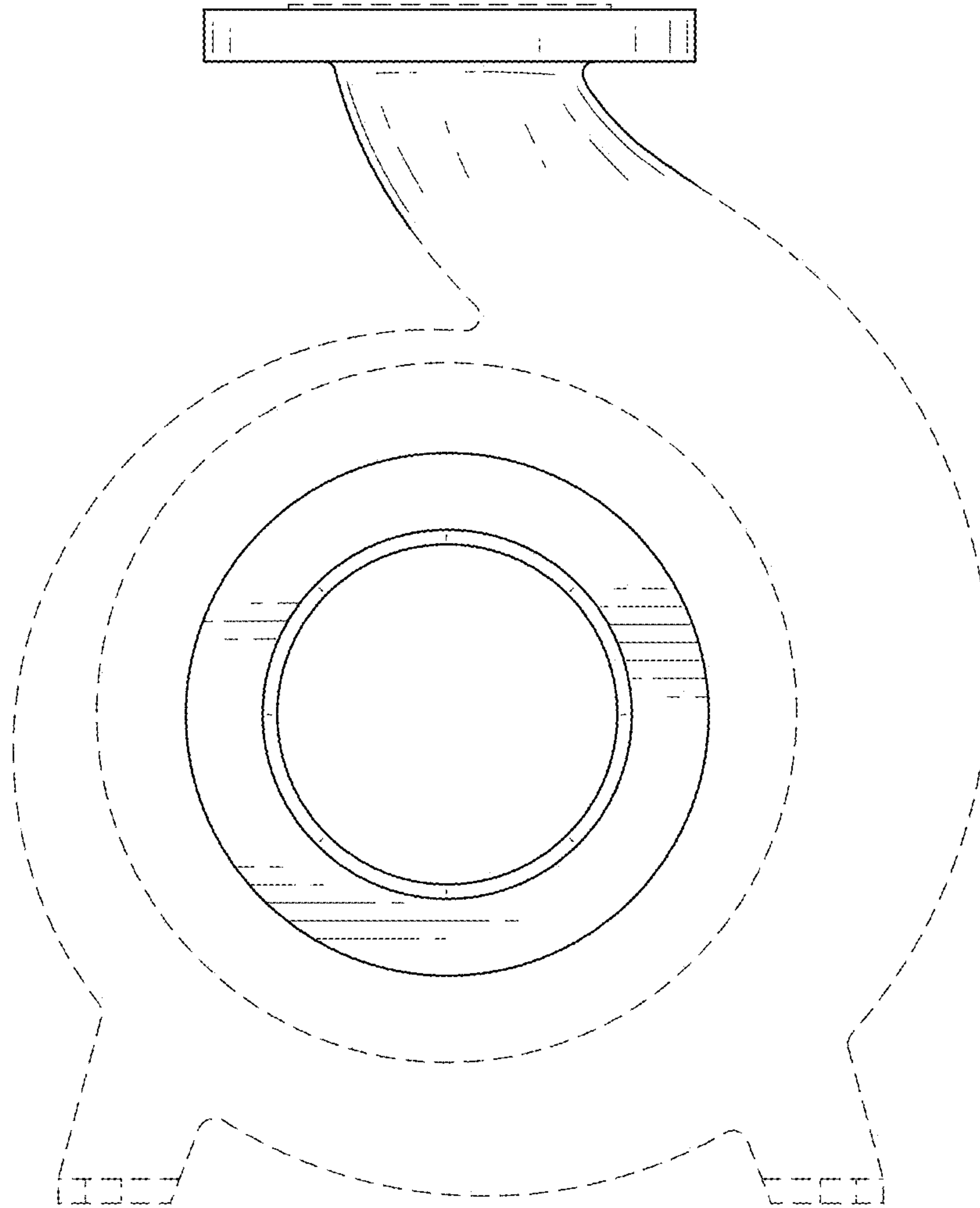


FIG. 37

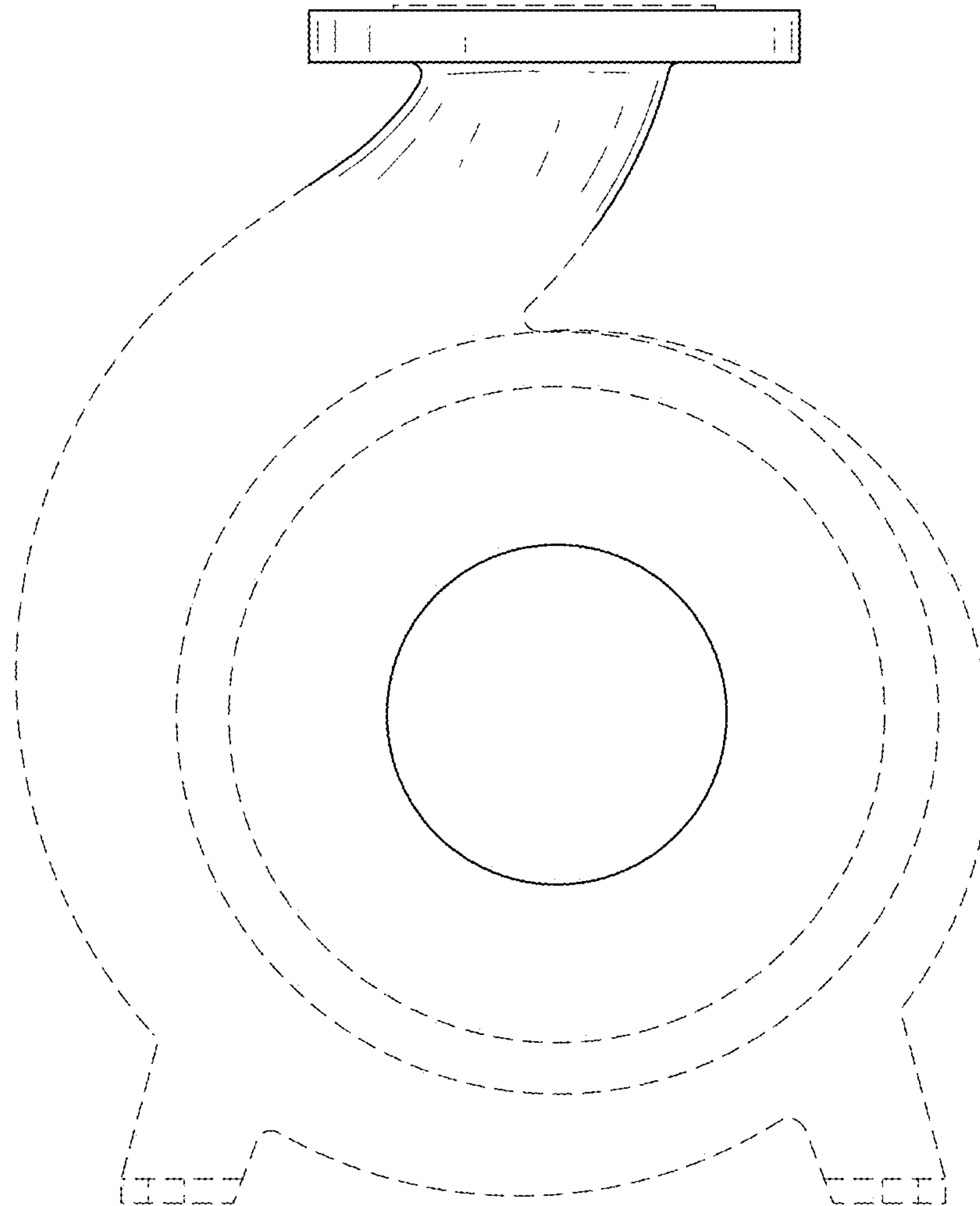


FIG. 38

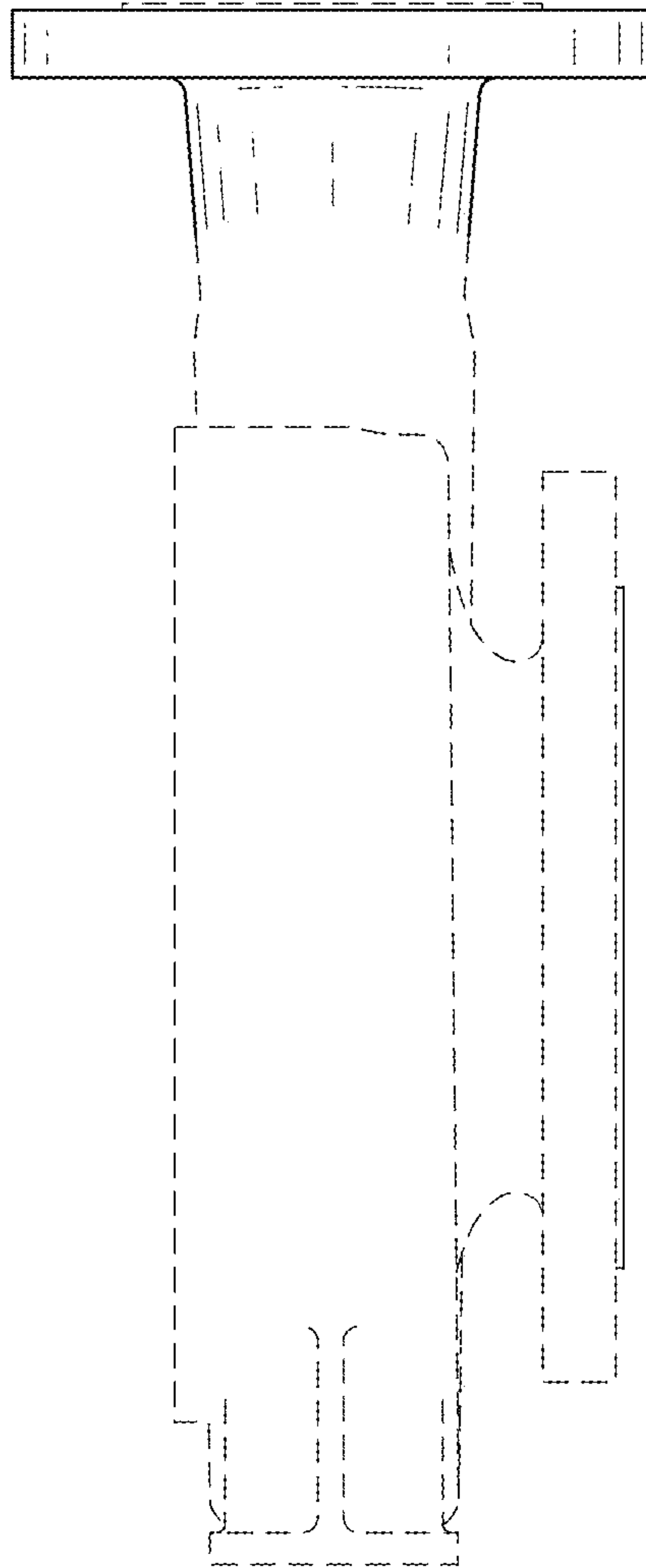


FIG. 39

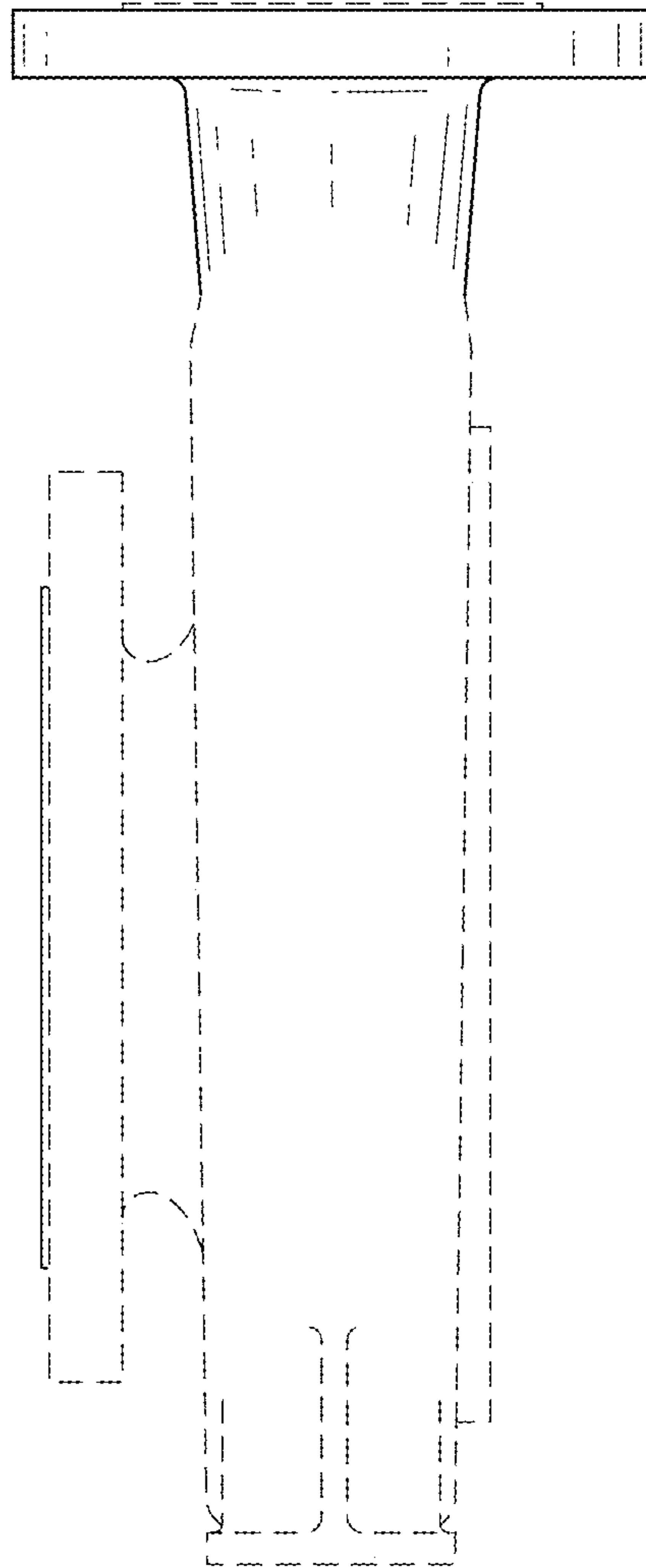


FIG. 40

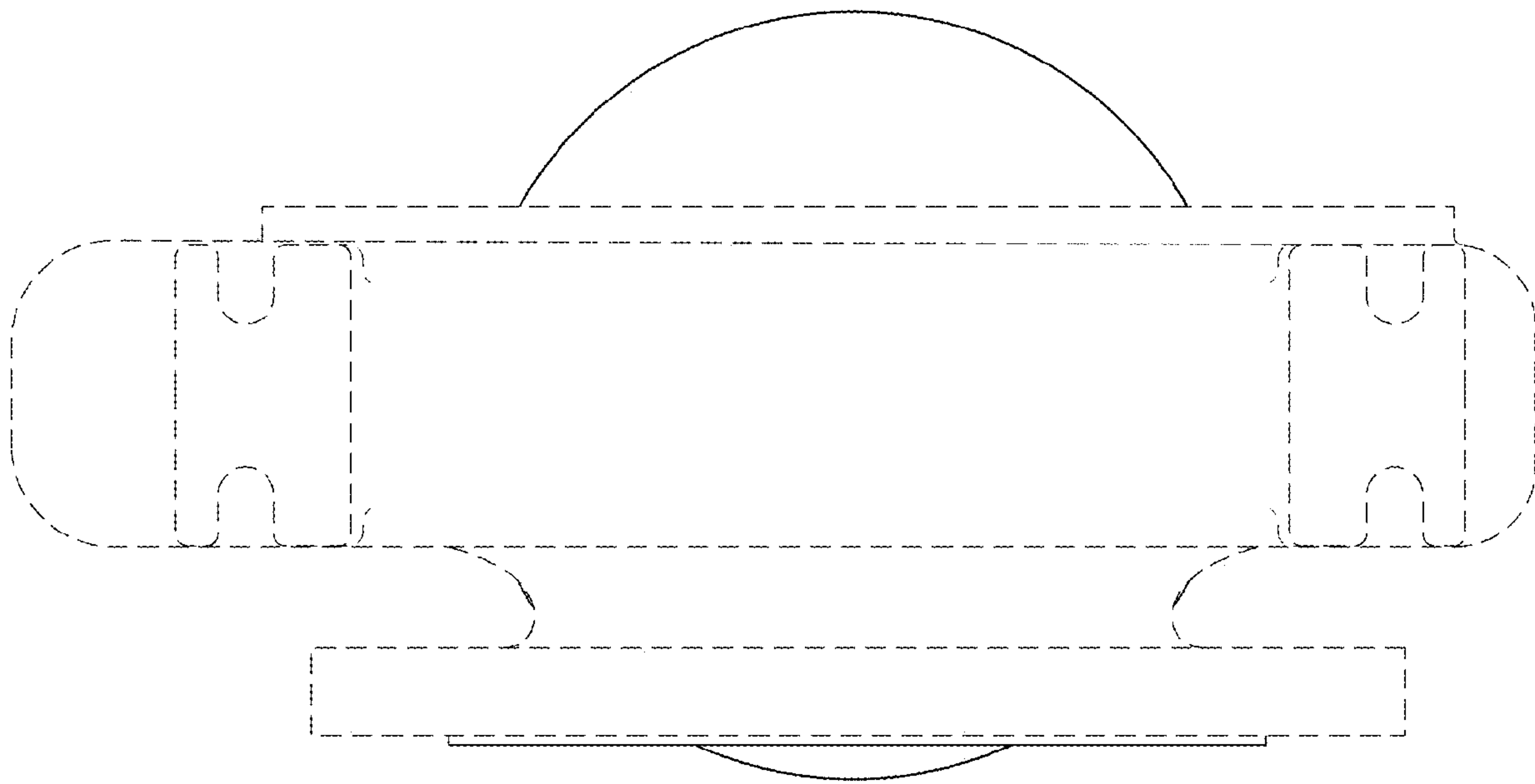


FIG. 41

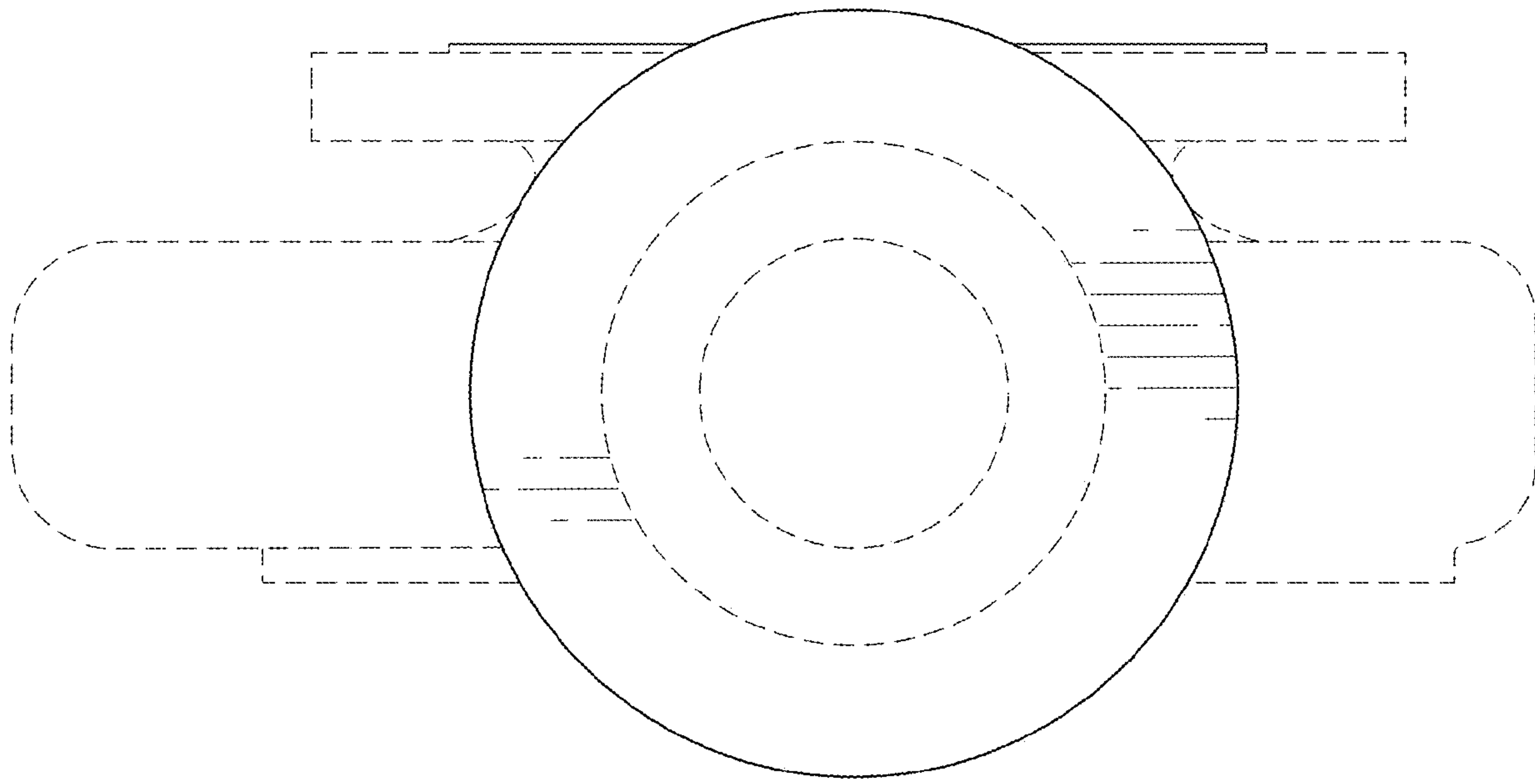


FIG. 42

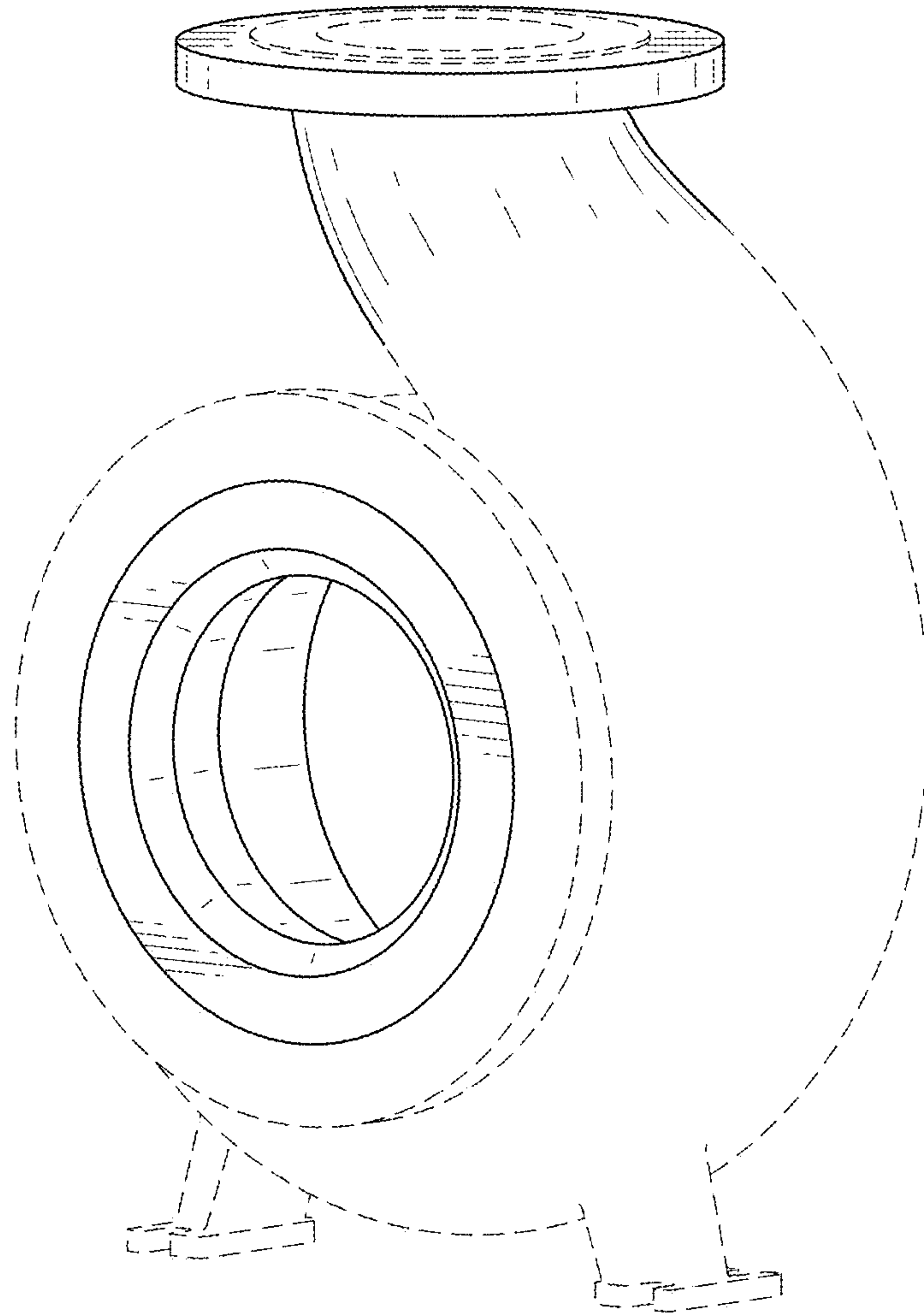


FIG. 43

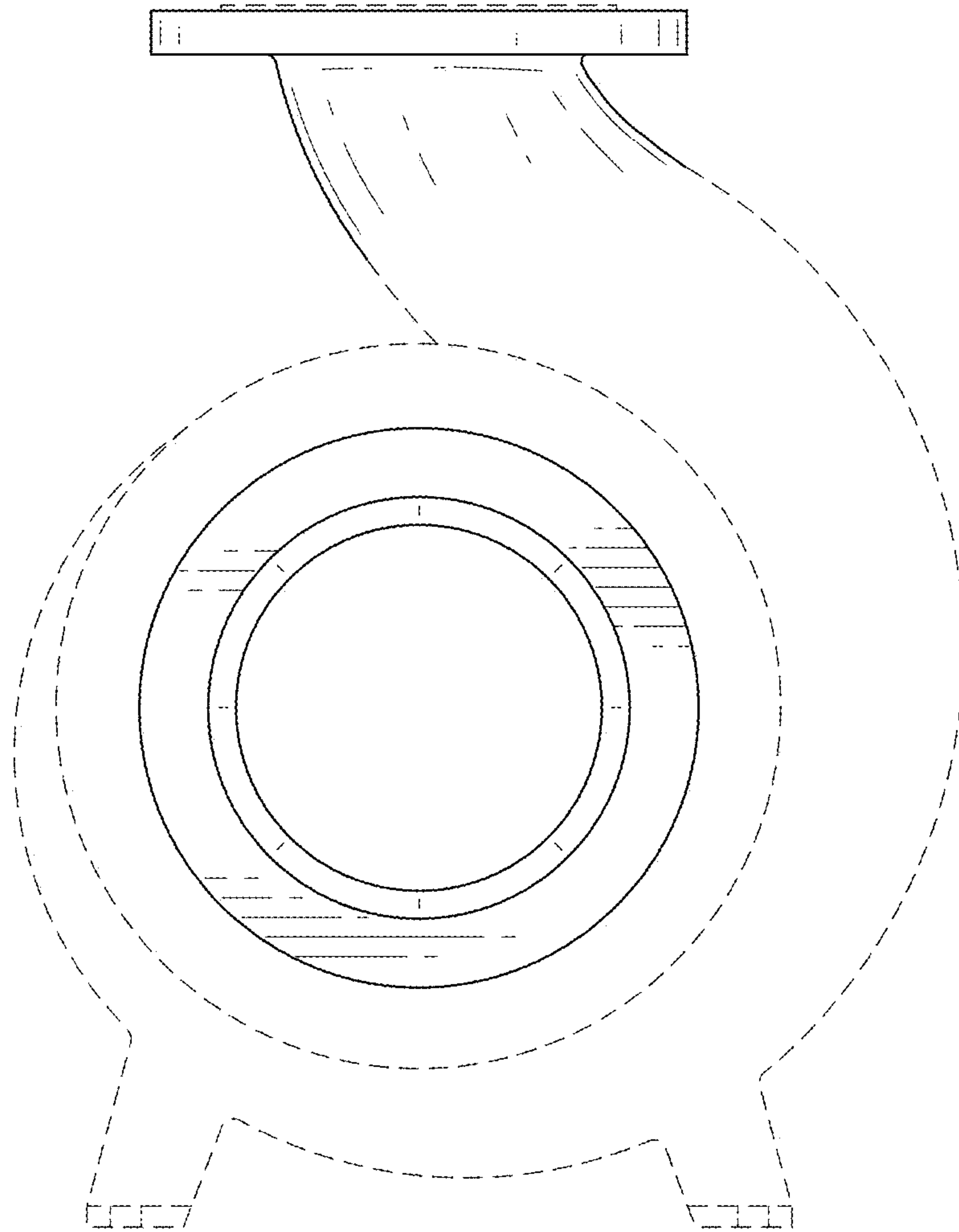


FIG. 44

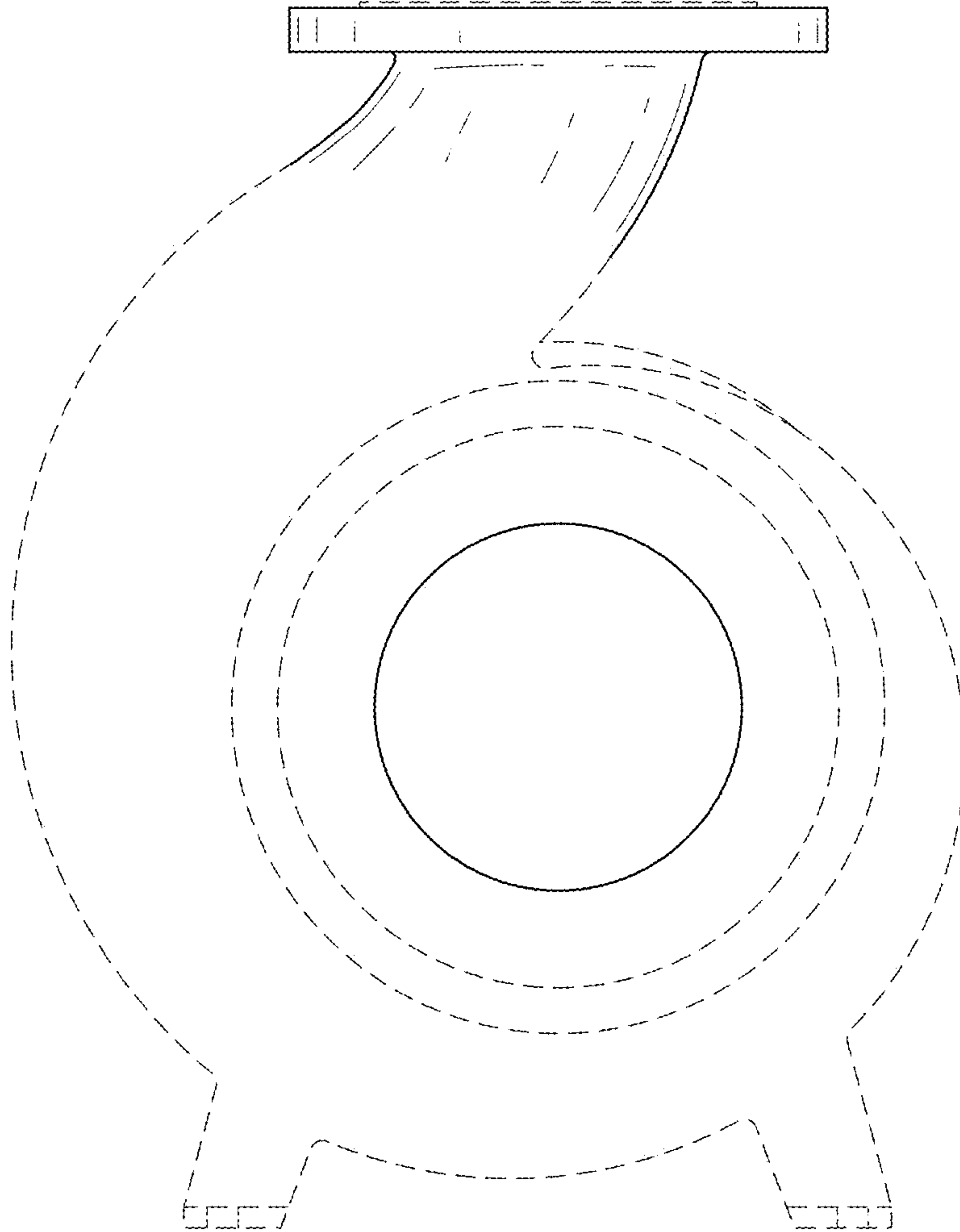


FIG. 45

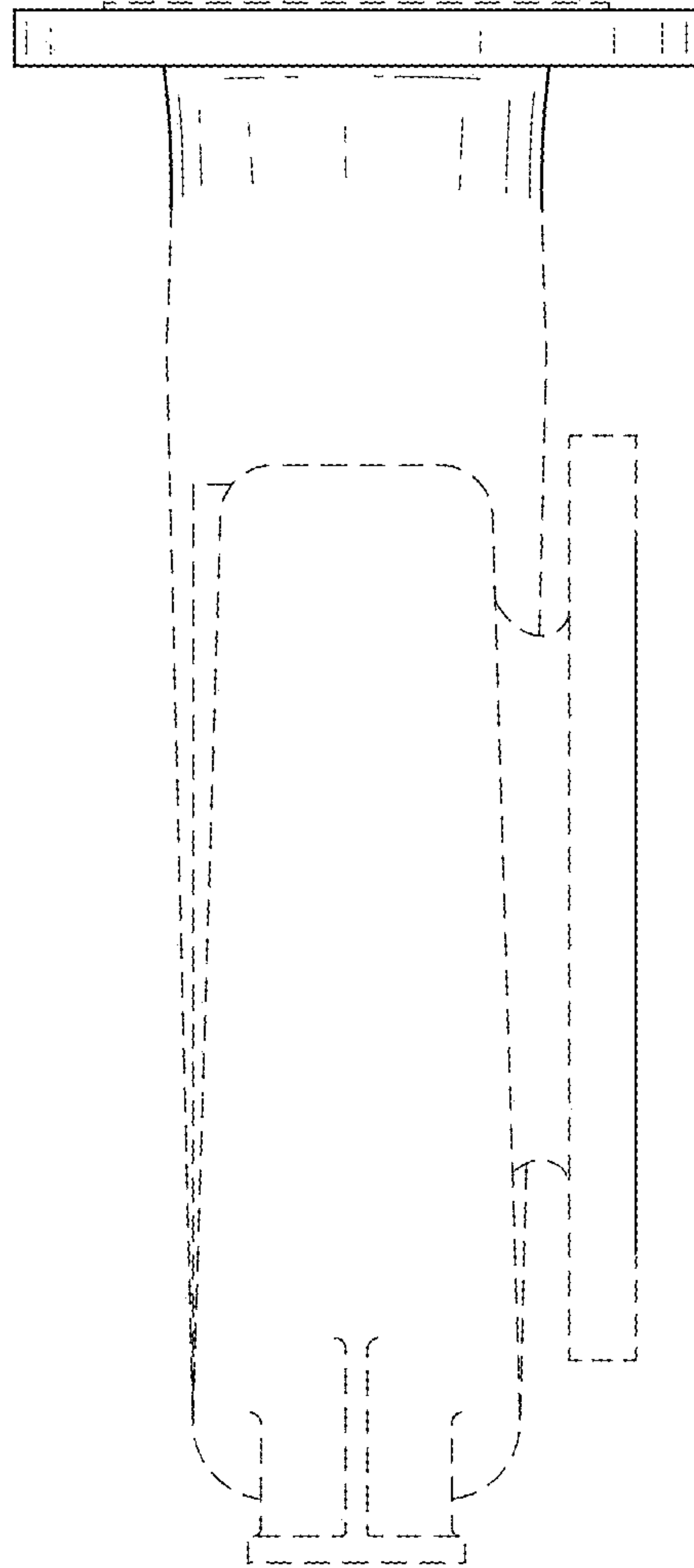


FIG. 46

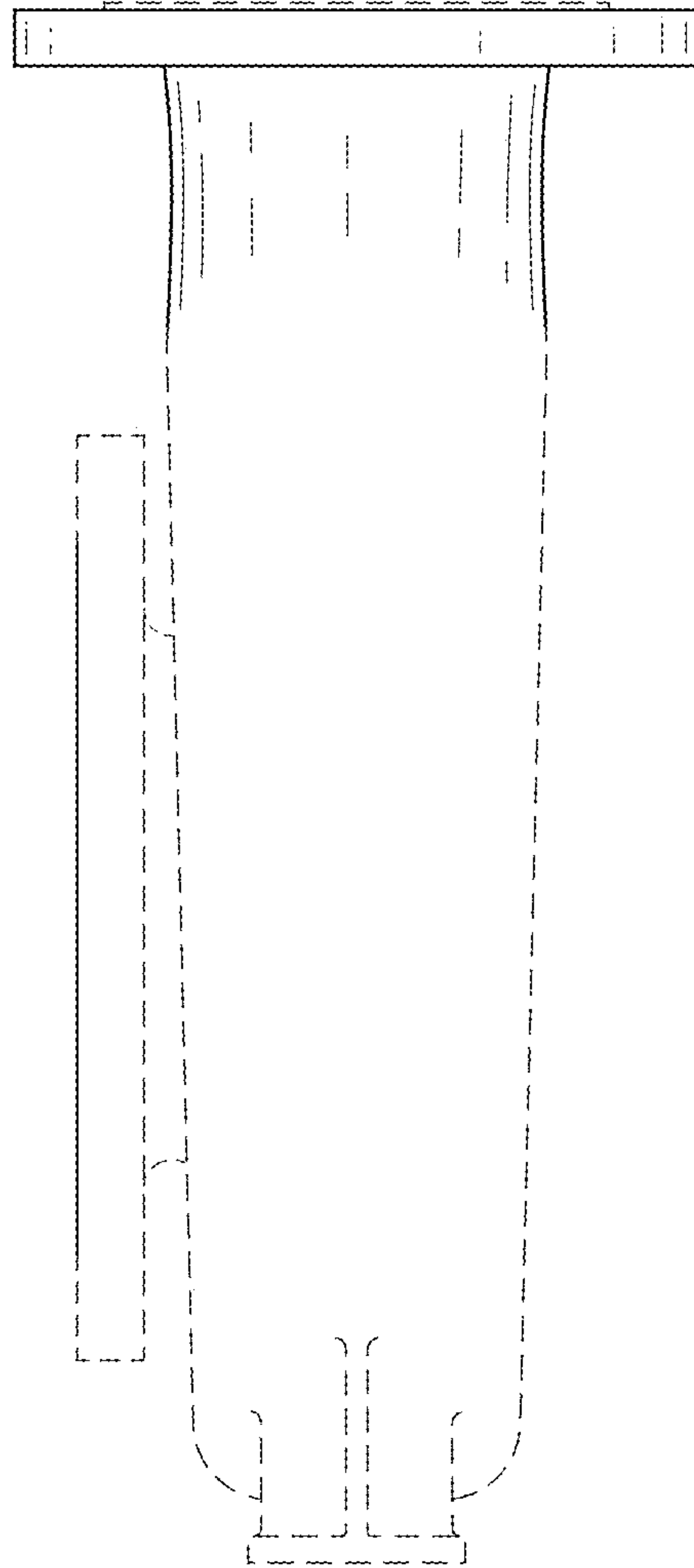


FIG. 47

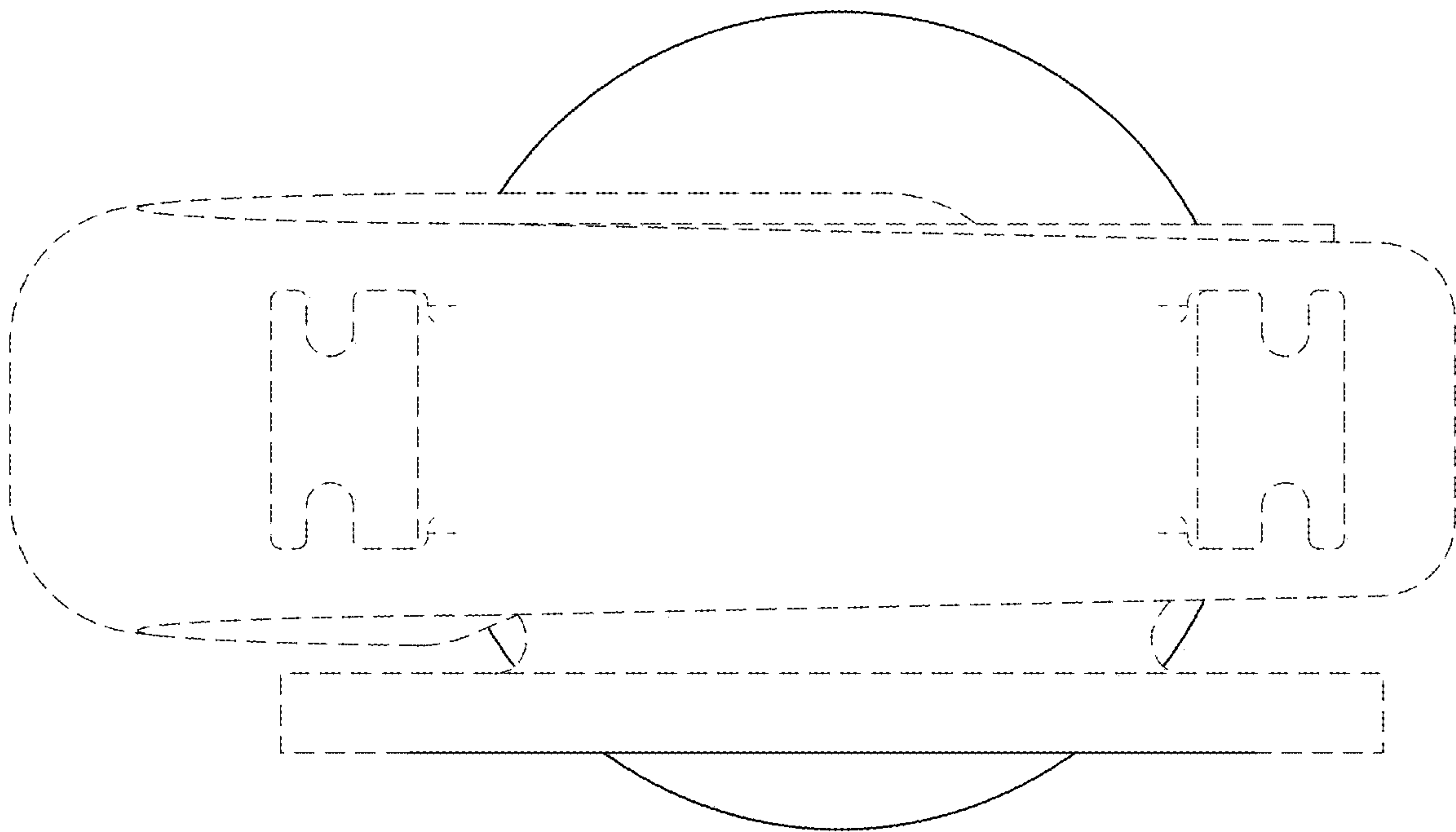


FIG. 48

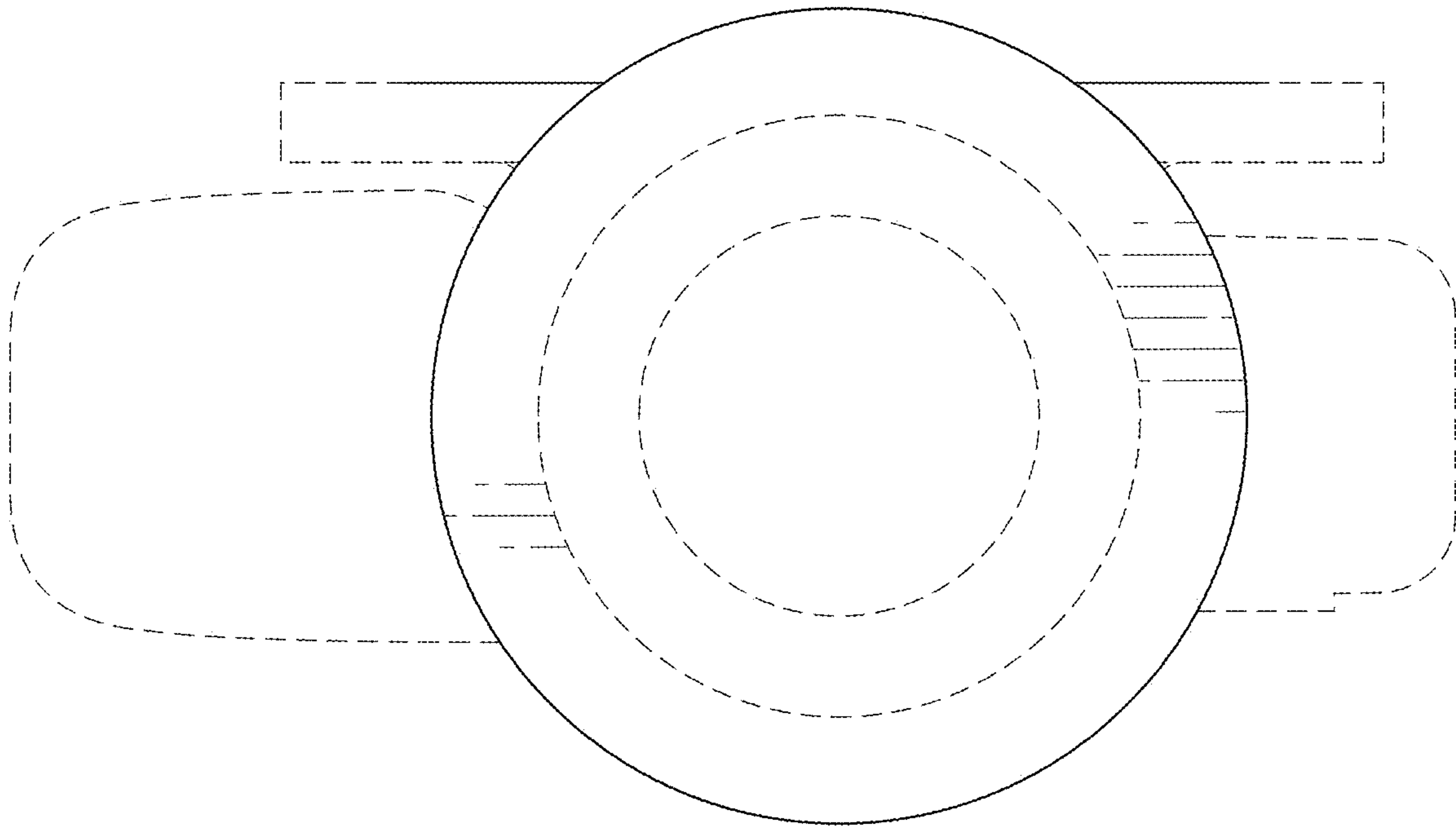


FIG. 49