



US00D921047S

(12) **United States Design Patent** (10) **Patent No.:** **US D921,047 S**
Wegner et al. (45) **Date of Patent:** **** Jun. 1, 2021**

(54) **ENGINE INCORPORATING AN OVERHEAD VALVE COVER**

D487,700 S 3/2004 Bourque et al.
D527,022 S 8/2006 Walters
D594,878 S 6/2009 Post et al.
7,594,484 B2 9/2009 Lavender et al.
D615,557 S 5/2010 Mayer et al.

(71) Applicant: **Kohler Co.**, Kohler, WI (US)

(72) Inventors: **Brett Wegner**, Glenbeulah, WI (US);
Eric B. Hudak, Sheboygan, WI (US);
Kenneth S. Hanna, Bellingham, WA
(US); **Mark J. Huibregtse**, Elkhart
Lake, WI (US); **David Schultz**,
Manitowoc, WI (US)

Primary Examiner — Mark A Goodwin
(74) *Attorney, Agent, or Firm* — The Belles Group, P.C.

(73) Assignee: **Kohler Co.**

(**) Term: **15 Years**

(21) Appl. No.: **29/766,817**

(22) Filed: **Jan. 19, 2021**

Related U.S. Application Data

(62) Division of application No. 29/640,428, filed on Mar. 14, 2018, now Pat. No. Des. 911,392.

(51) **LOC (13) Cl.** **15-01**

(52) **U.S. Cl.**
USPC **D15/5**

(58) **Field of Classification Search**

USPC D15/1-6, 14, 9.1, 12, 17, 28, 149;
123/22.41, 34, 51 A, 606 R, 52.1, 50 A,
123/50 B, 54.1, 54.2, 54.4, 54.5, 65 R,
123/195 R, 195 HC, 657, 311
CPC F02B 2075/027; F02B 2075/1816; F02B
2075/025; F02B 2075/1808; F02B 75/20;
F02B 75/22; F02B 2275/18; F02B
2275/20; F02B 77/13; F02B 77/00; F02B
63/04

See application file for complete search history.

(56) **References Cited**

U.S. PATENT DOCUMENTS

D379,995 S 6/1997 Gilmore
D396,045 S 7/1998 Neeley

(57) **CLAIM**

The ornamental design for an engine incorporating an overhead valve cover, as shown and described.

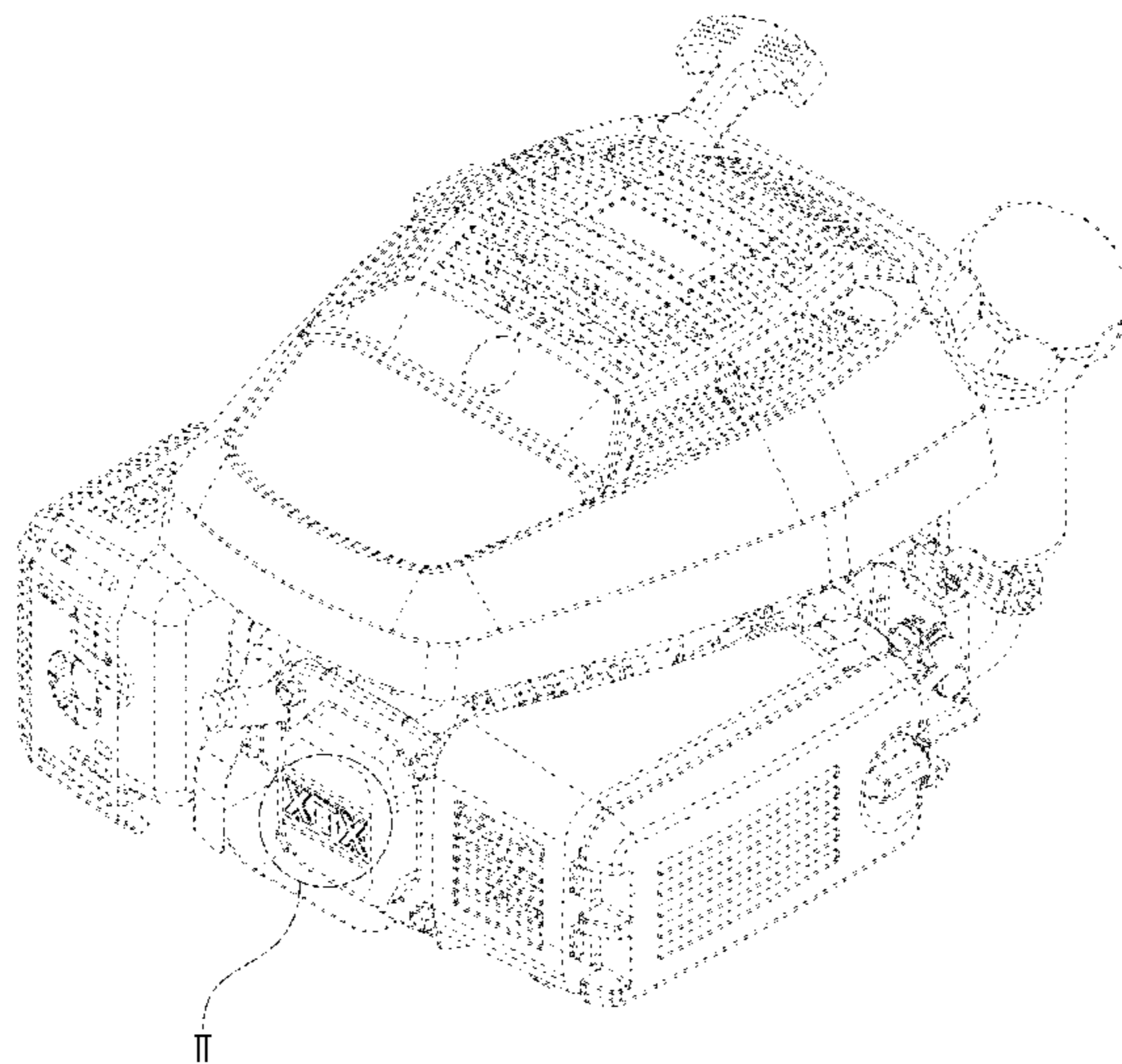
DESCRIPTION

FIG. 1 is a front-right top perspective view of an engine incorporating an overhead valve cover according to the new design;

FIG. 2 is a close-up view of area II of FIG. 29;
FIG. 3 is a front-left top perspective view thereof;
FIG. 4 is a close-up view of area IV of FIG. 3;
FIG. 5 is a rear-left top perspective view thereof;
FIG. 6 is a rear-right top perspective view thereof;
FIG. 7 is a front-right bottom perspective view thereof;
FIG. 8 is a close-up view of area VIII of FIG. 7;
FIG. 9 is a front-left bottom perspective view thereof;
FIG. 10 is a close-up view of area X of FIG. 9;
FIG. 11 is a rear-left bottom perspective view thereof;
FIG. 12 is a rear-right bottom perspective view thereof;
FIG. 13 is a front plan view thereof;
FIG. 14 is a close-up view of area XIV of FIG. 13;
FIG. 15 is a rear plan view thereof;
FIG. 16 is a right-side plan view thereof;
FIG. 17 is a left-side plan view thereof;
FIG. 18 is a top plan view thereof; and,
FIG. 19 is a bottom plan view thereof.

The dashed lines of equal length in FIGS. 1-19 are for environmental purposes only and form no part of the claimed design. The dashed lines of unequal length in FIGS. 1-4, 7-10, 13, and 14 represent an unclaimed boundary.

1 Claim, 19 Drawing Sheets



(56)

References Cited

U.S. PATENT DOCUMENTS

D655,310	S	3/2012	Tiefenthaler et al.
D665,426	S	8/2012	Tiefenthaler
D667,464	S	9/2012	Tiefenthaler
D687,709	S	8/2013	Taylor
8,746,485	B1	6/2014	Tiefenthaler
D721,423	S	1/2015	Jacques et al.
D733,186	S	6/2015	Bink et al.
D733,187	S	6/2015	Bink et al.
D733,762	S	7/2015	Bink et al.
D735,762	S	8/2015	Andren et al.
D735,763	S	8/2015	Andren et al.
D735,764	S	8/2015	Andren et al.
D735,765	S	8/2015	Andren et al.
D735,767	S	8/2015	Andren et al.
D735,768	S	8/2015	Andren et al.
D736,264	S	8/2015	Andren et al.
D742,922	S	11/2015	Andren et al.
D742,923	S	11/2015	Andren et al.
D742,924	S	11/2015	Andren et al.
D784,413	S	4/2017	Thorn et al.
D787,558	S	5/2017	Thorn et al.
D795,298	S	8/2017	Hanna et al.
2006/0124644	A1	6/2006	Dehn
2010/0089919	A1	4/2010	Dunkle et al.

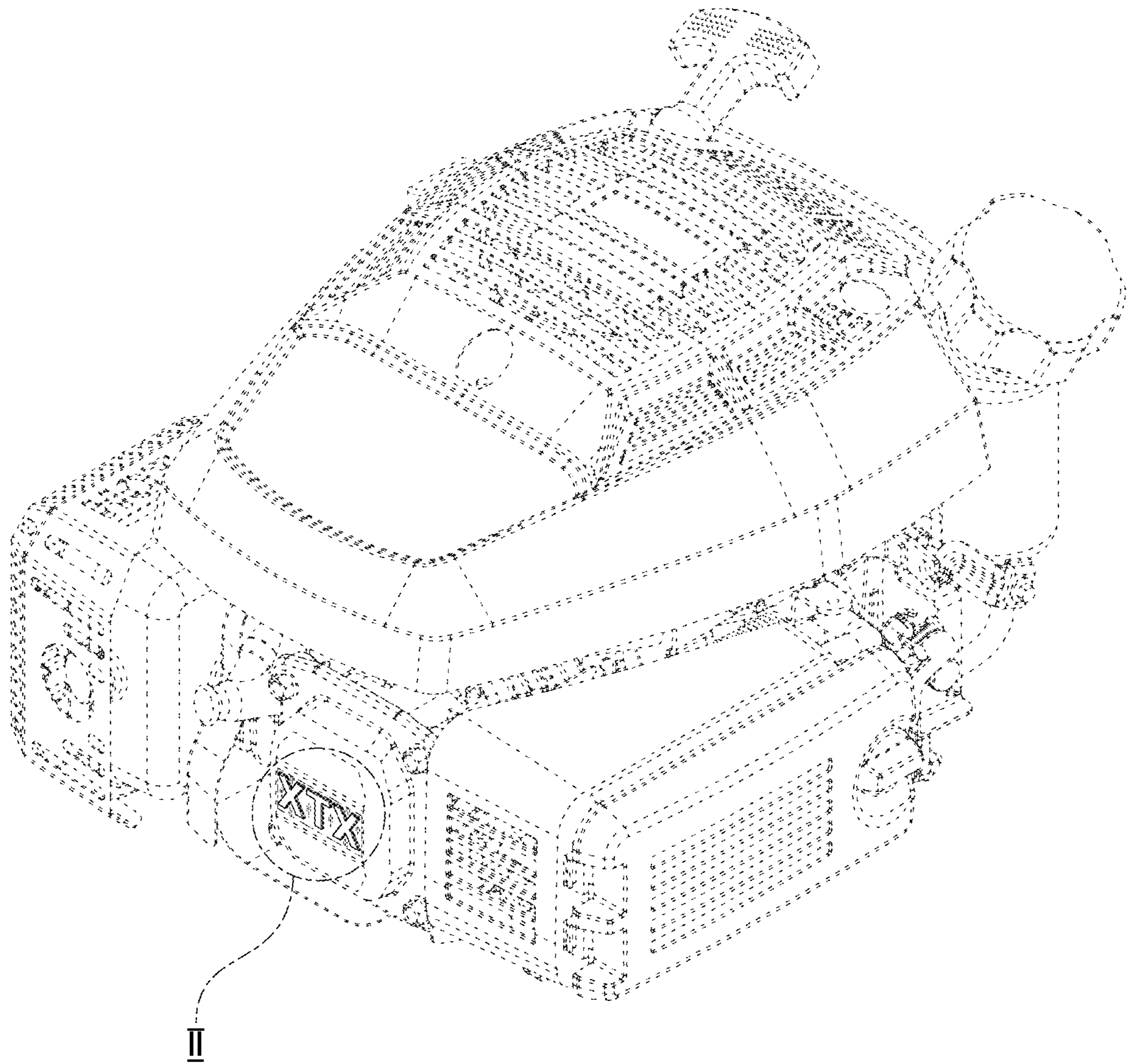


FIG. 1



FIG. 2

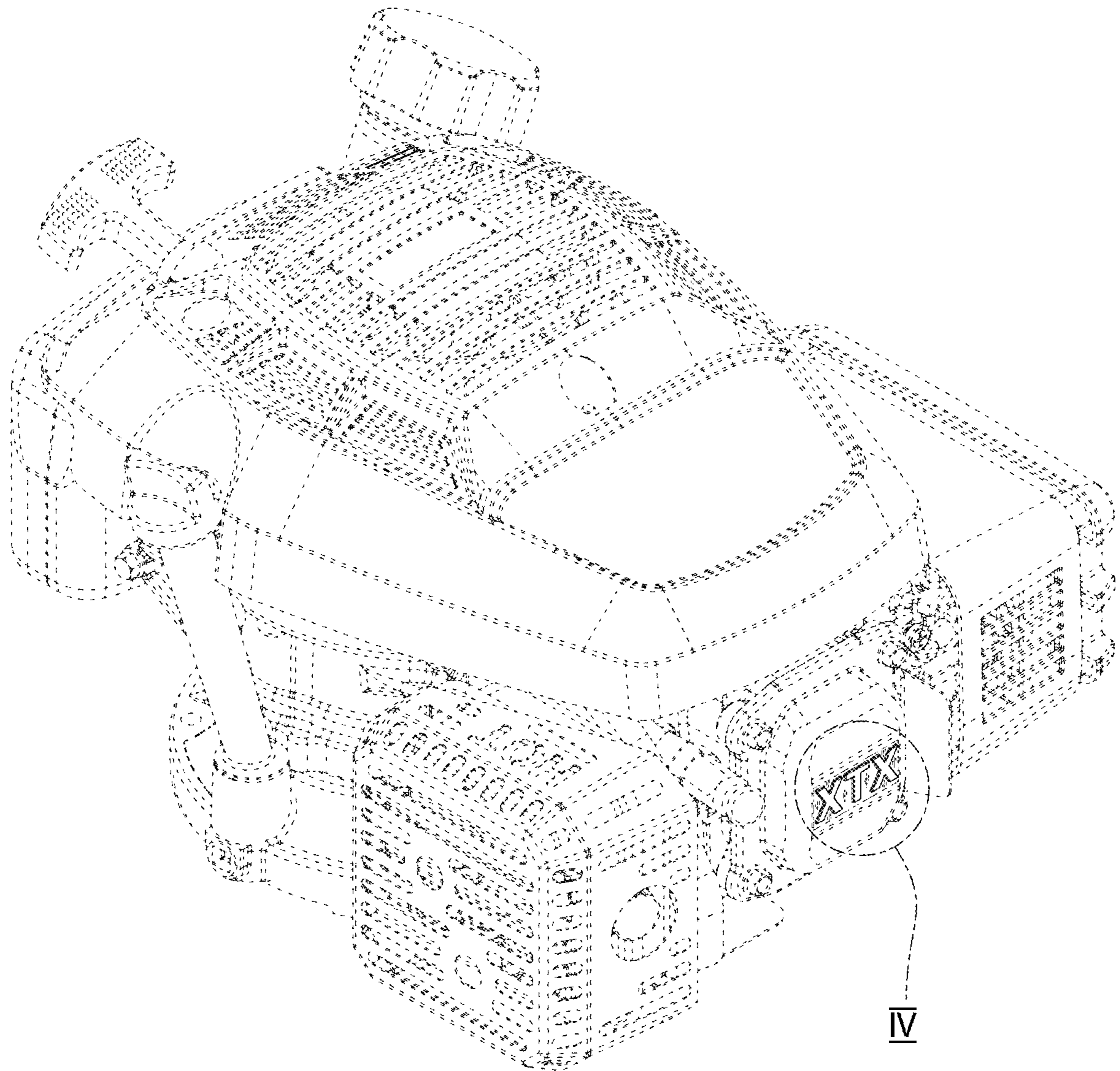


FIG. 3

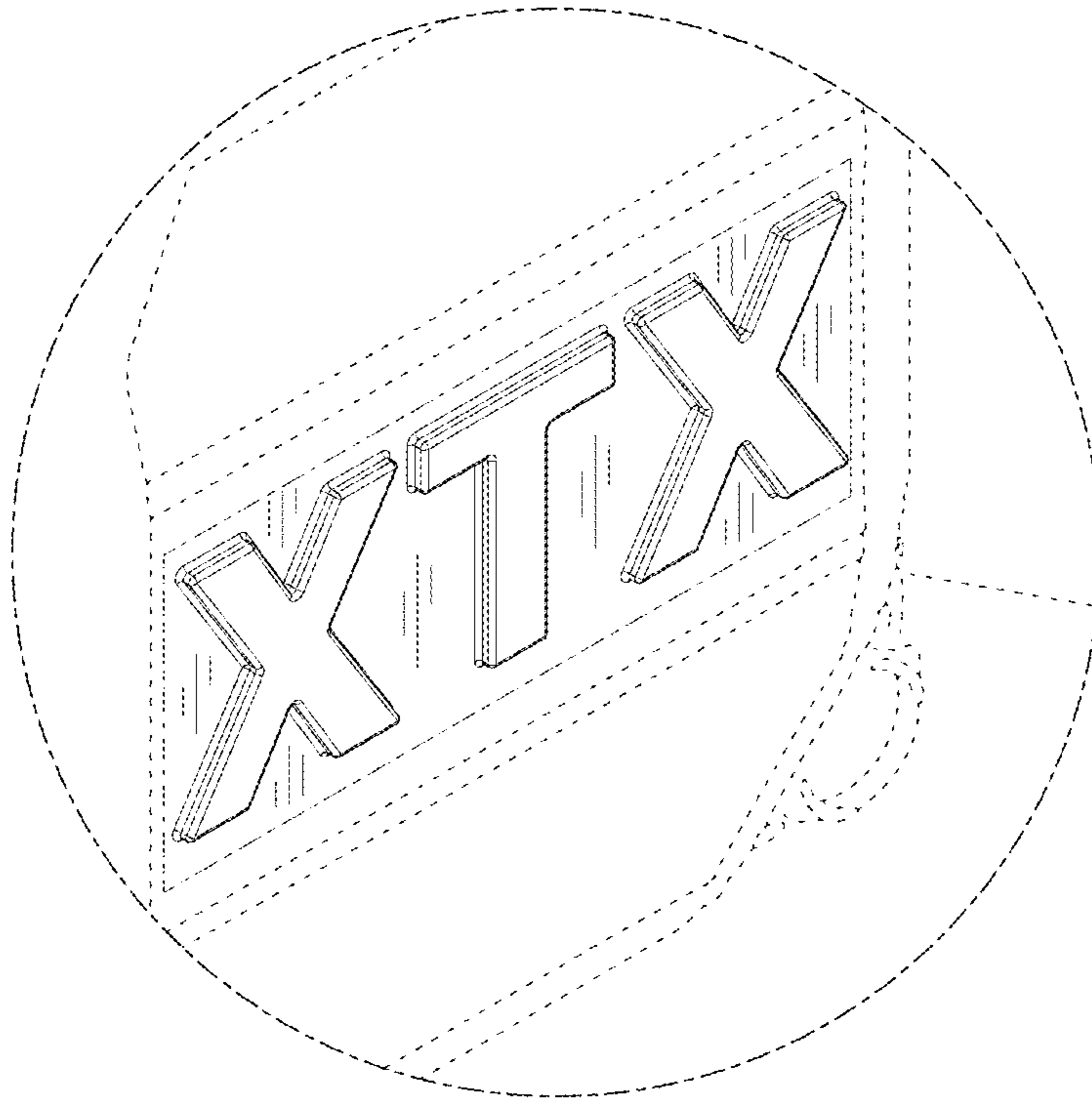


FIG. 4

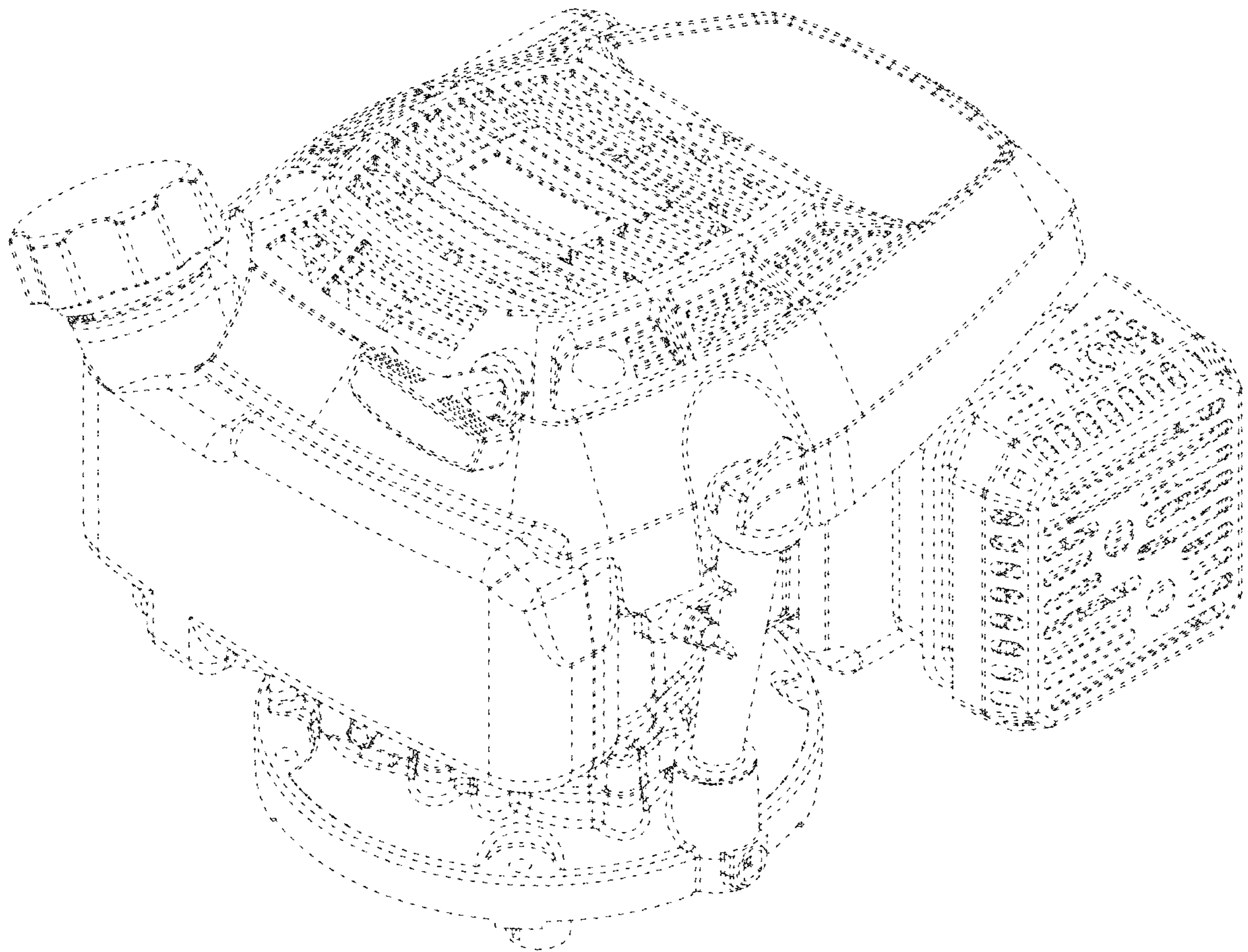


FIG. 5

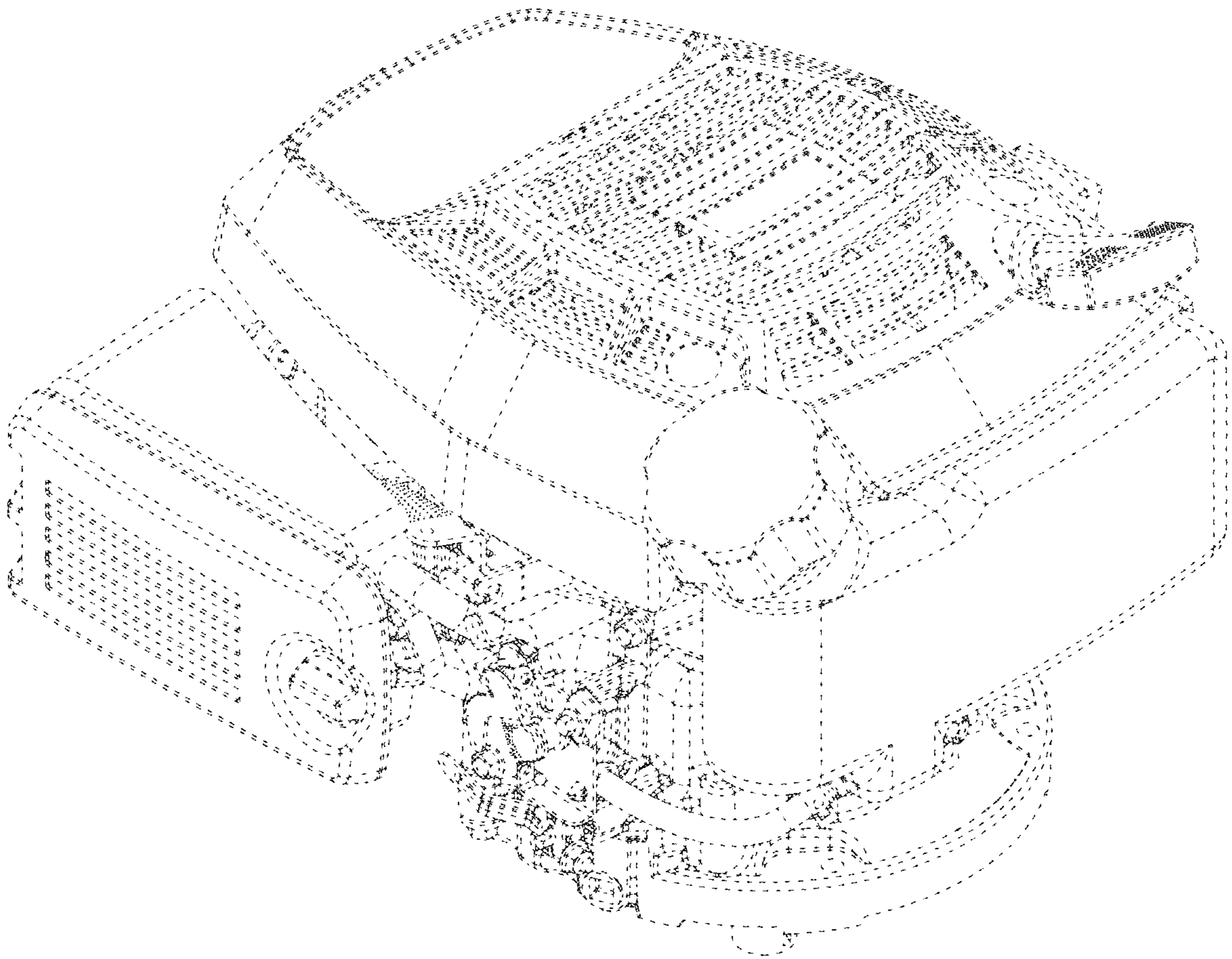


FIG. 6

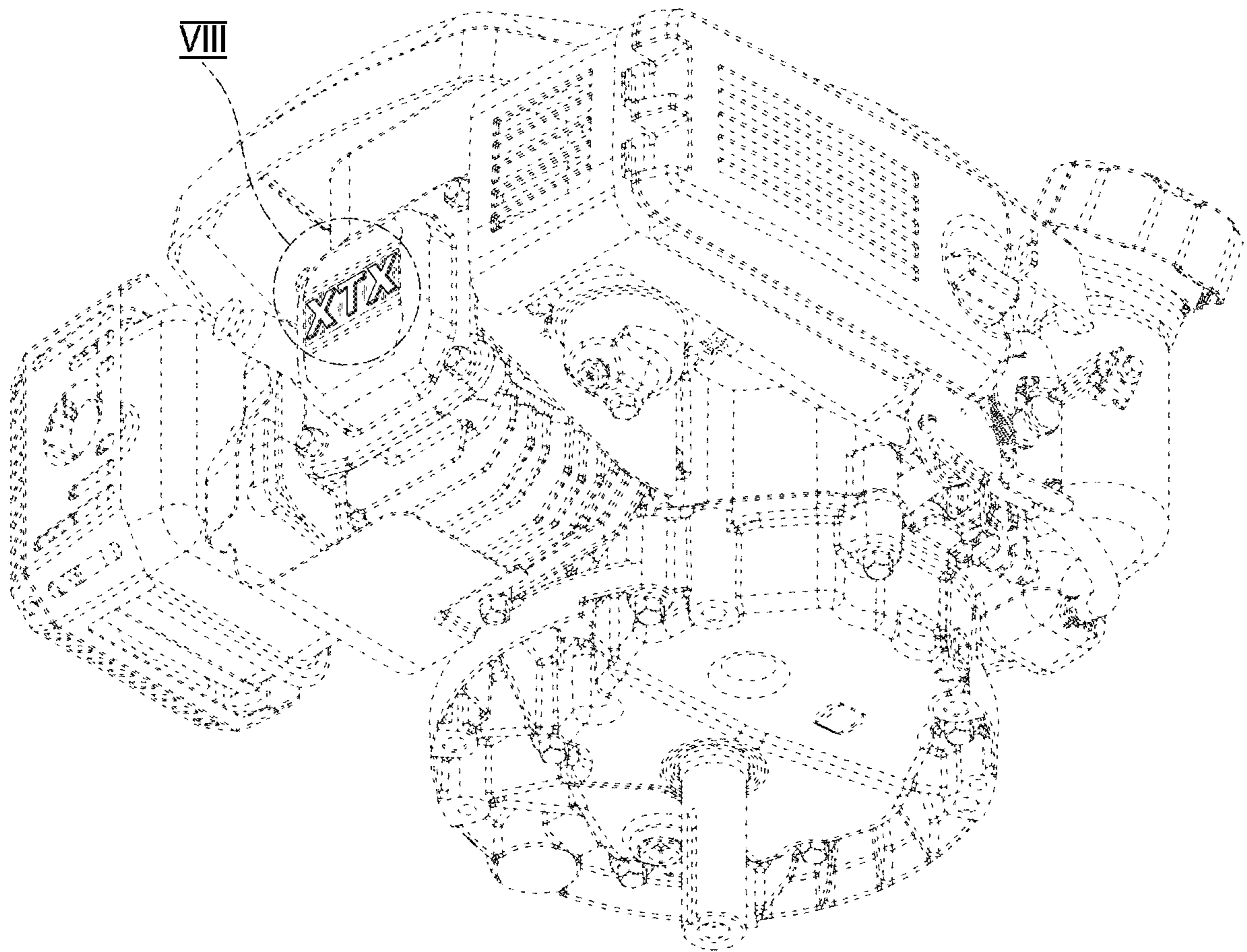


FIG. 7

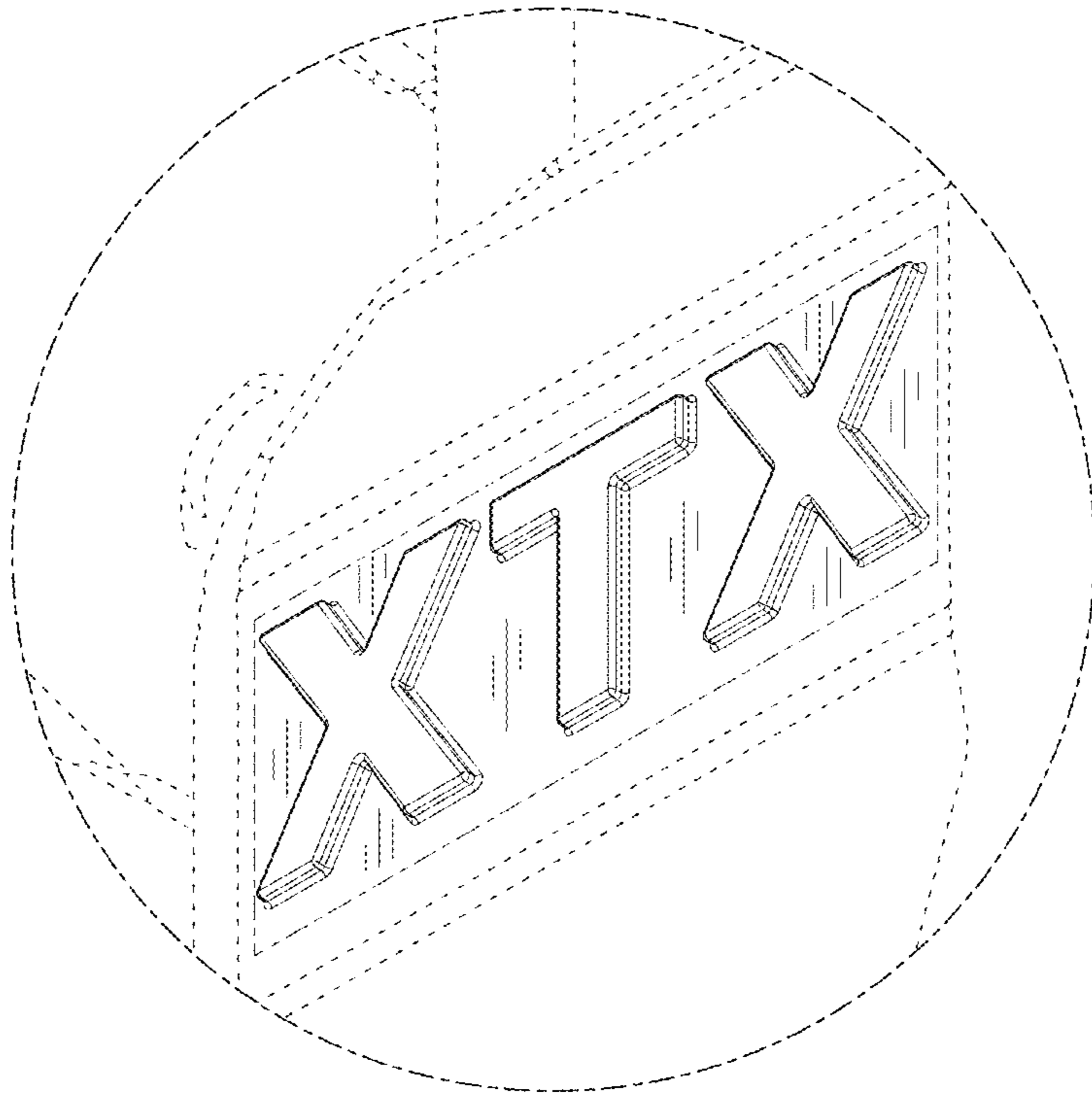


FIG. 8

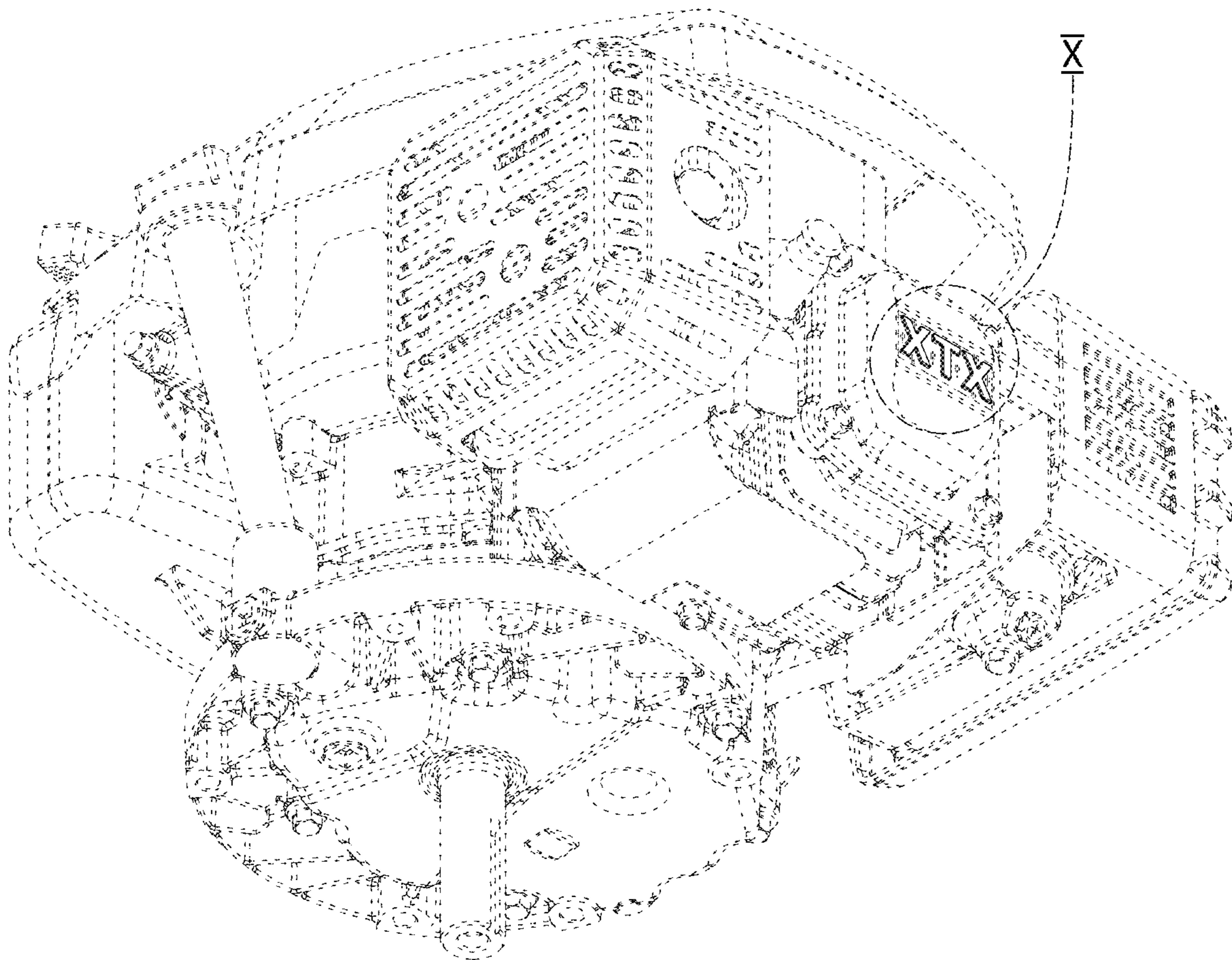


FIG. 9

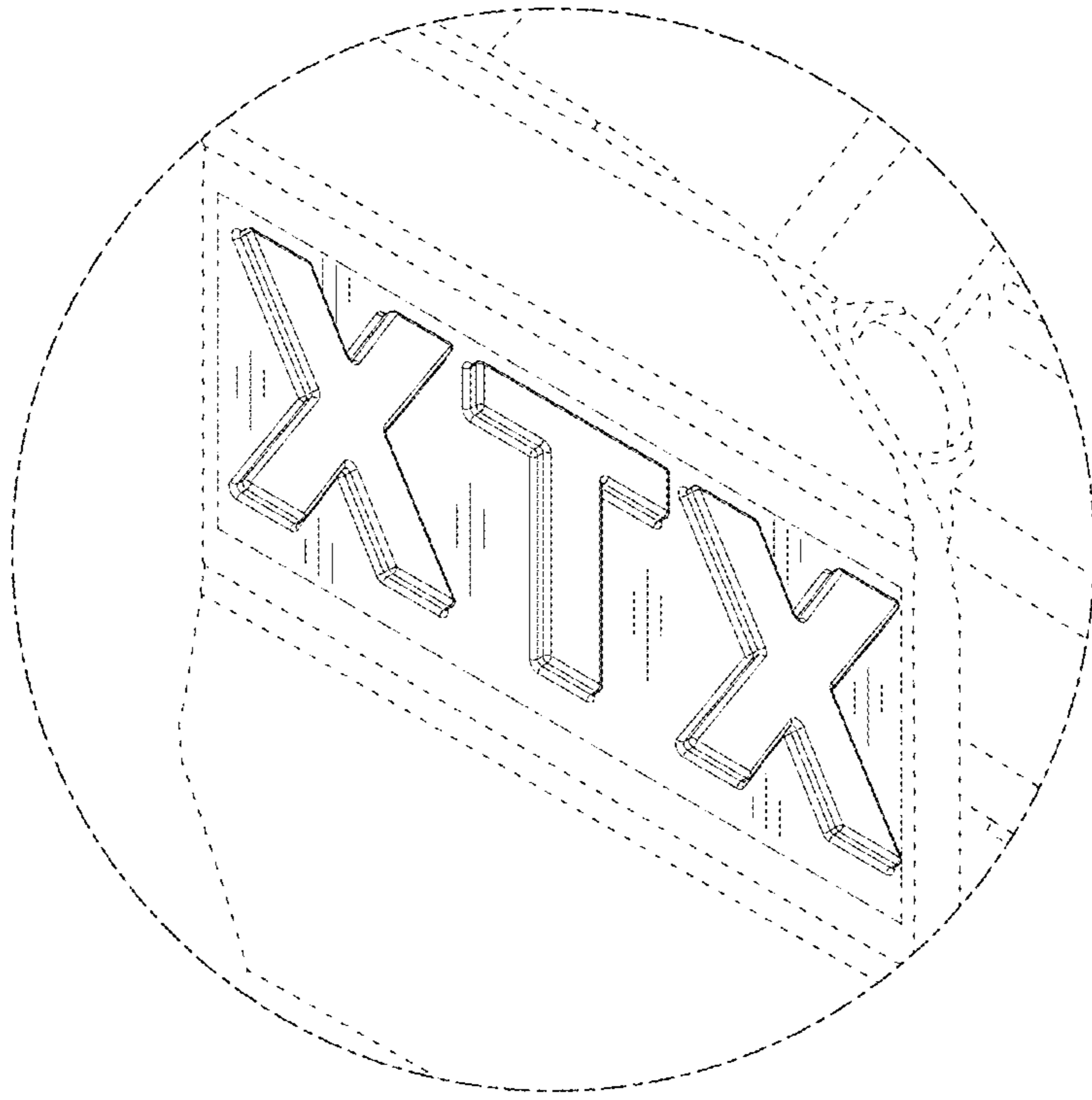


FIG. 10

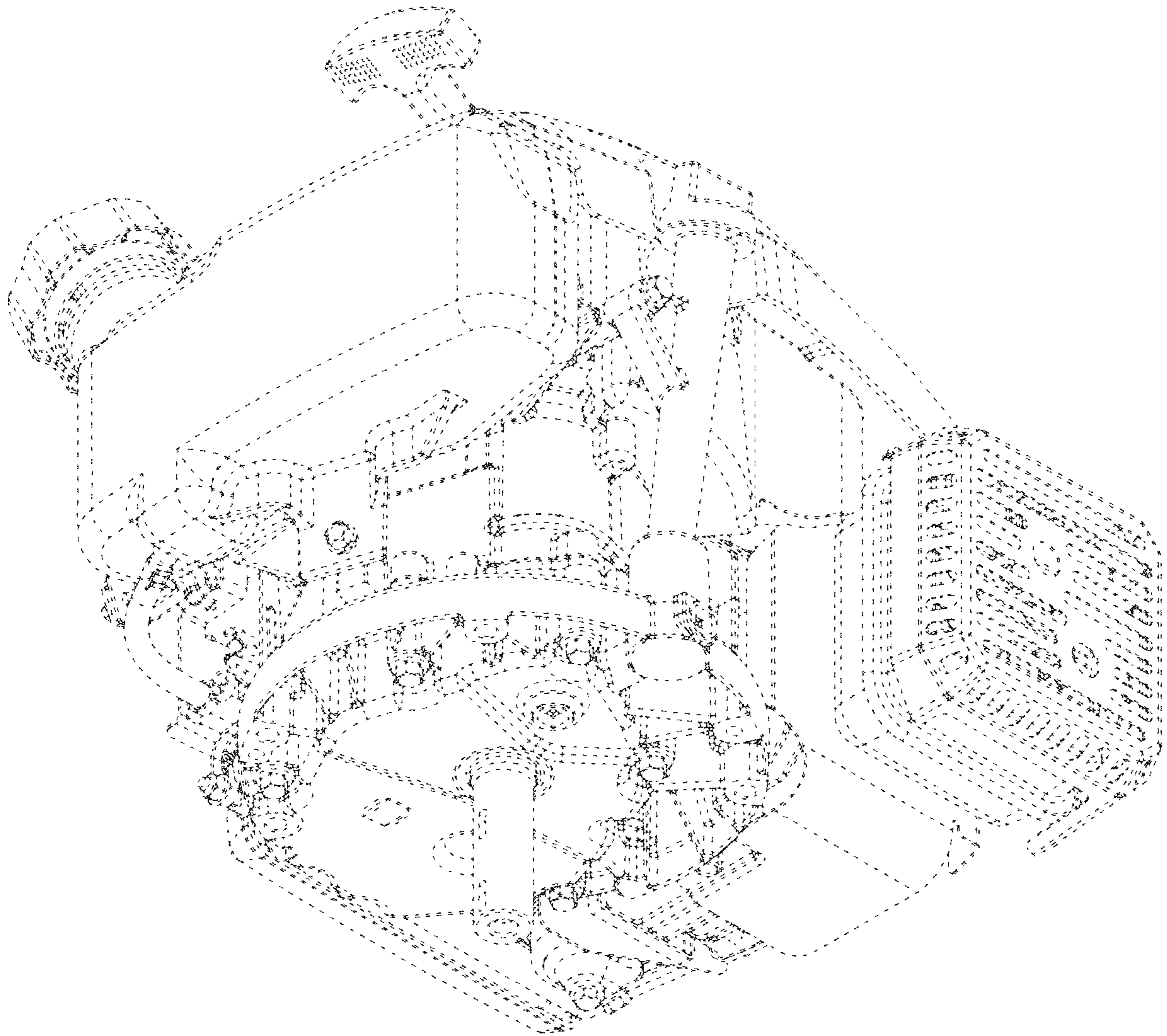


FIG. 11

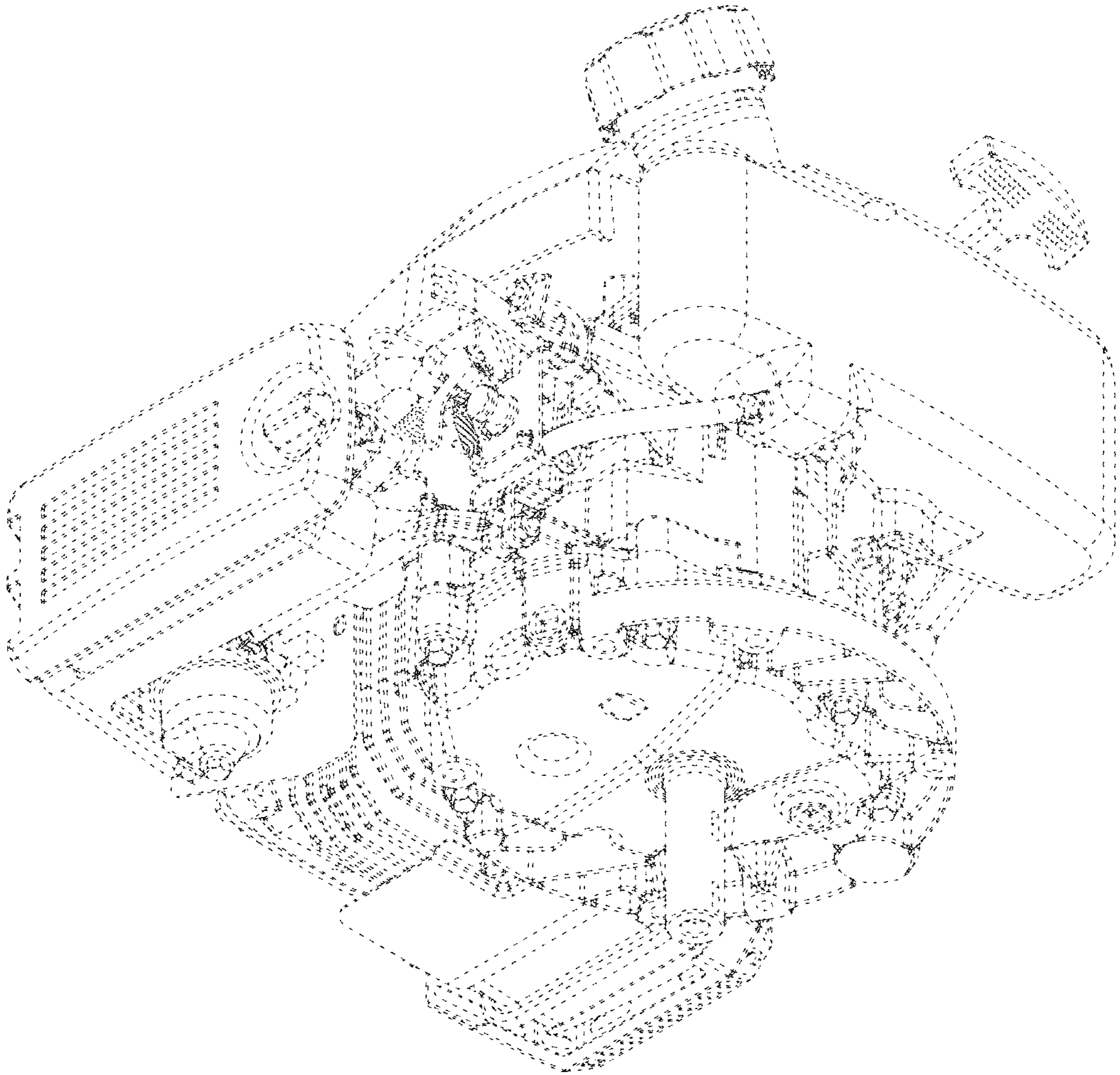


FIG. 12

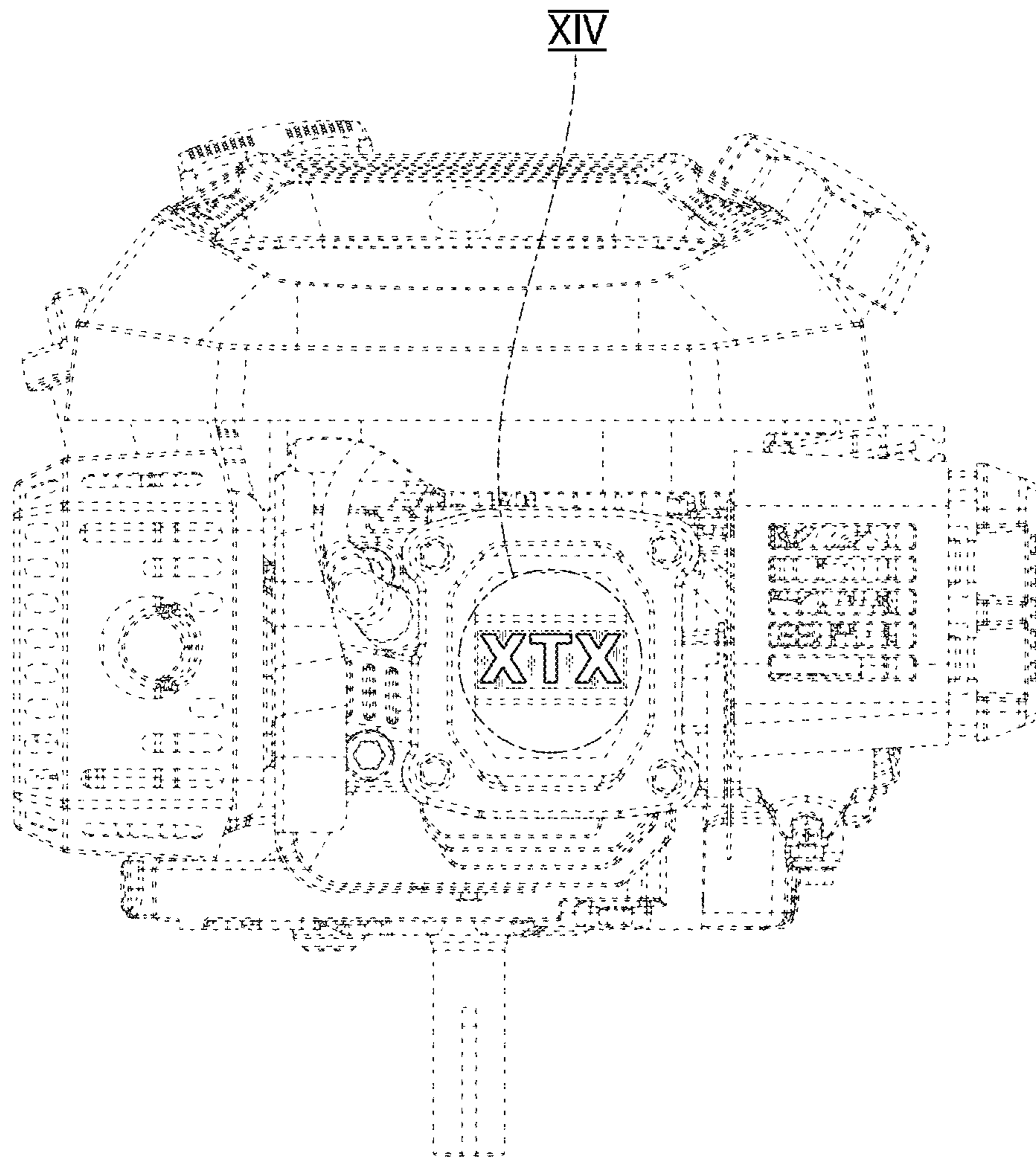


FIG. 13

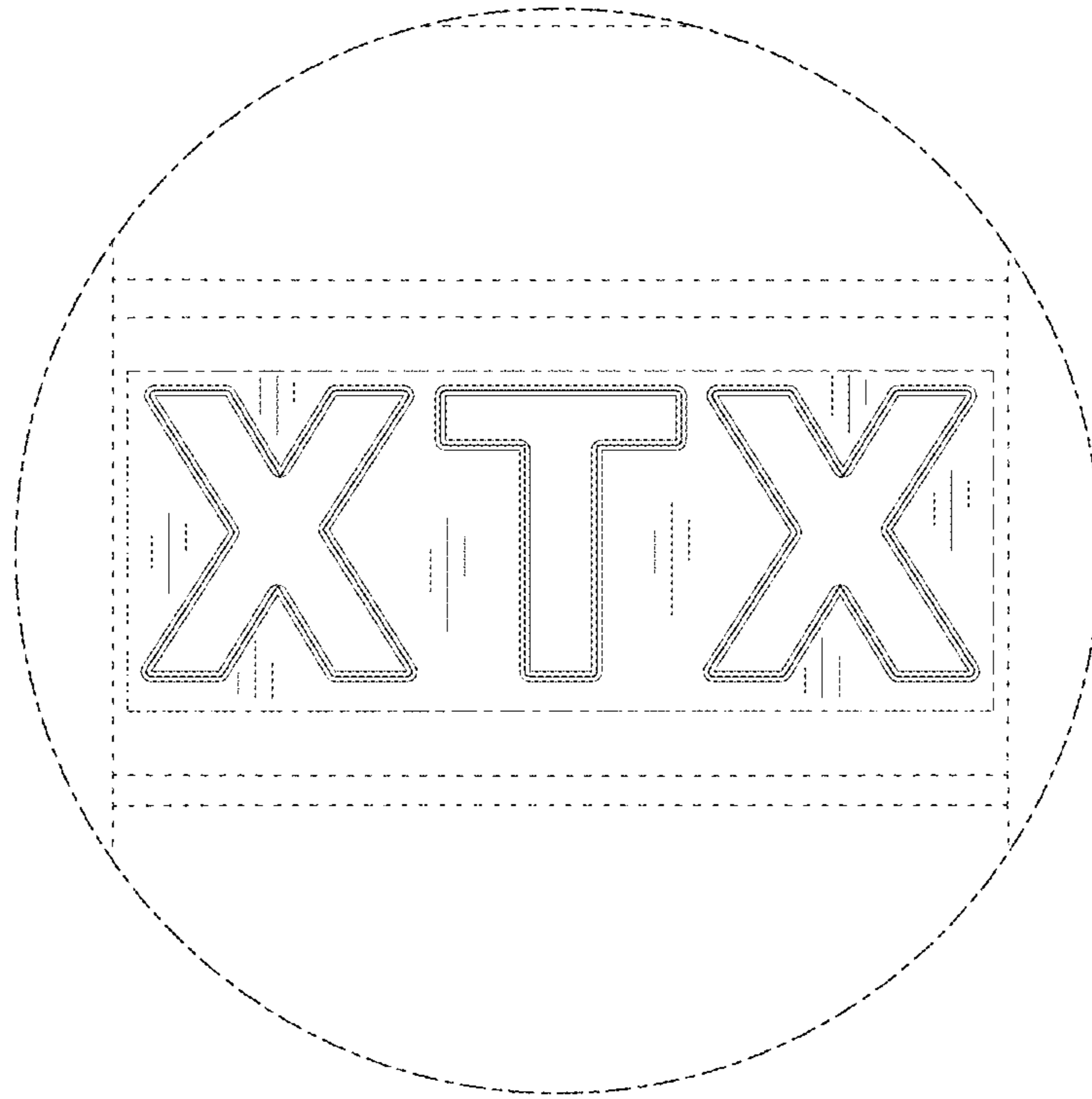


FIG. 14

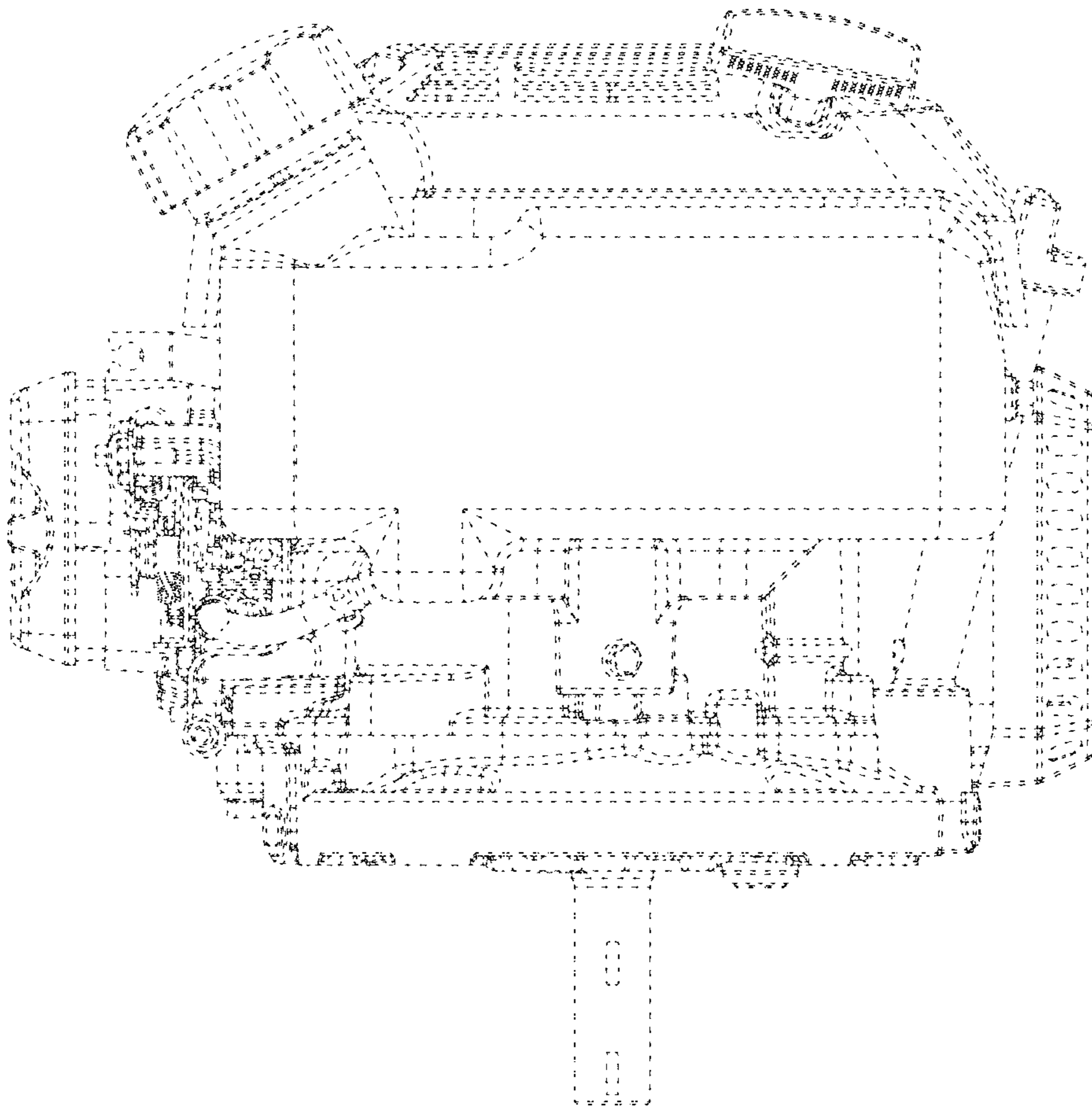


FIG. 15

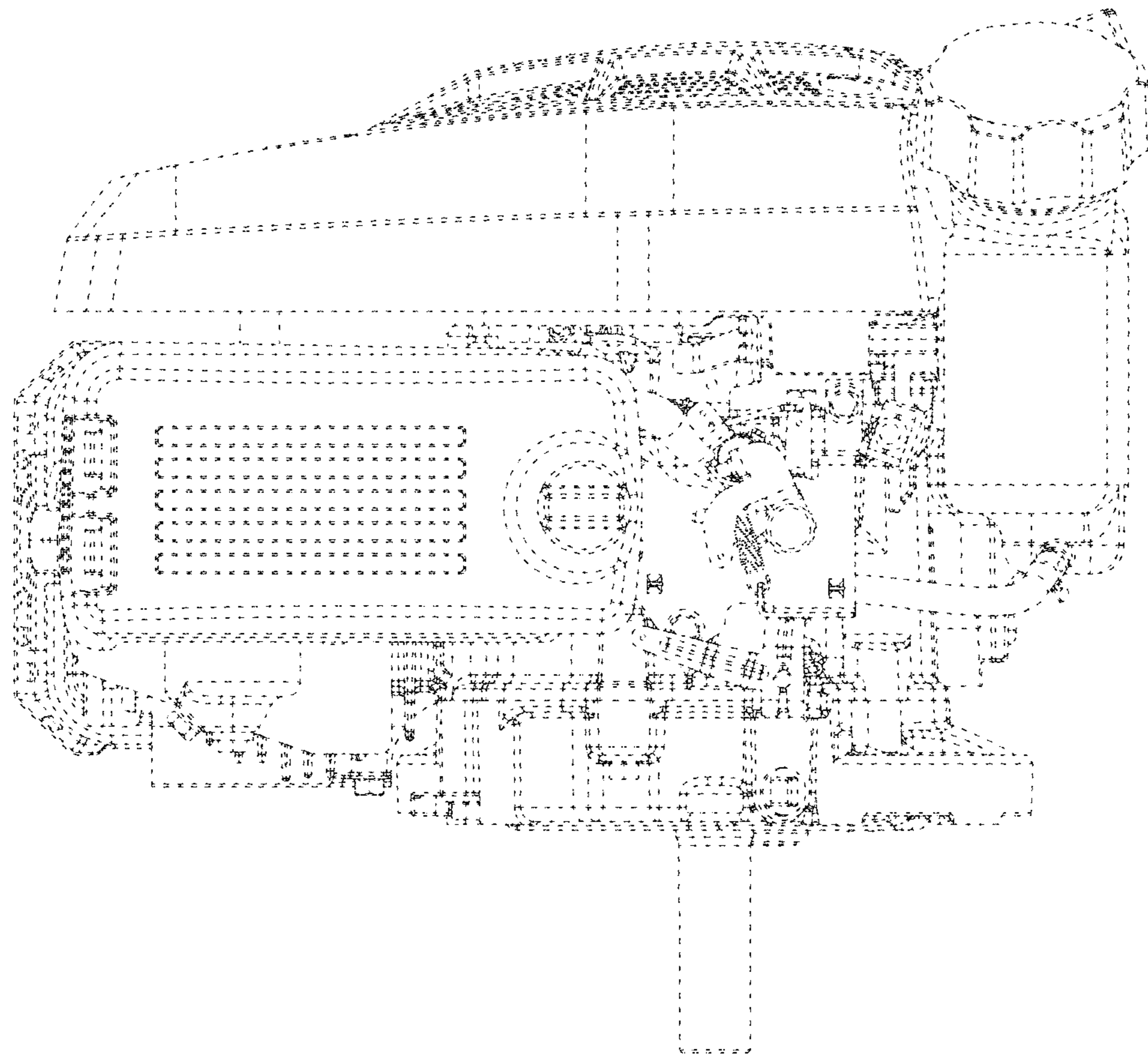


FIG. 16

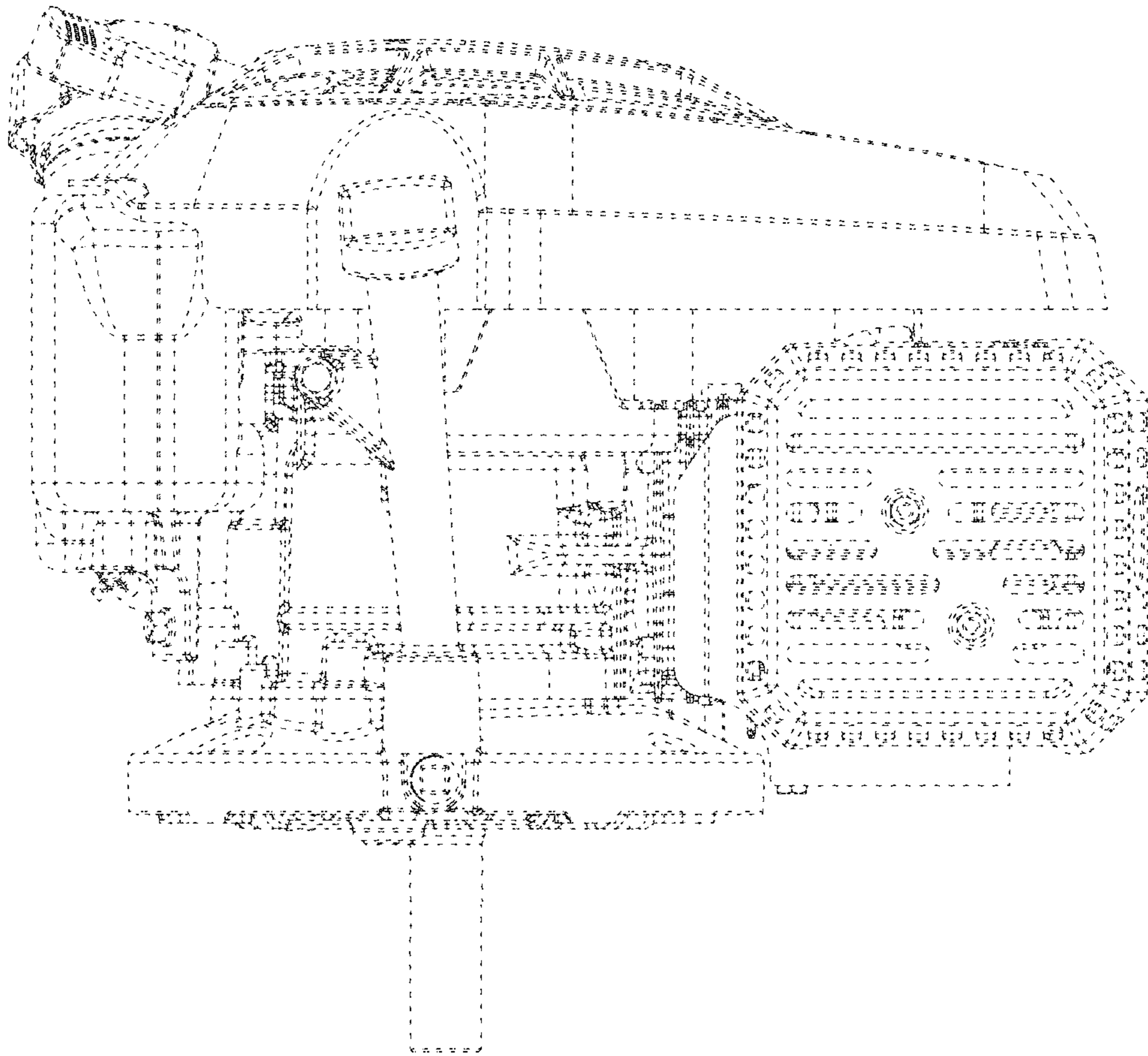


FIG. 17

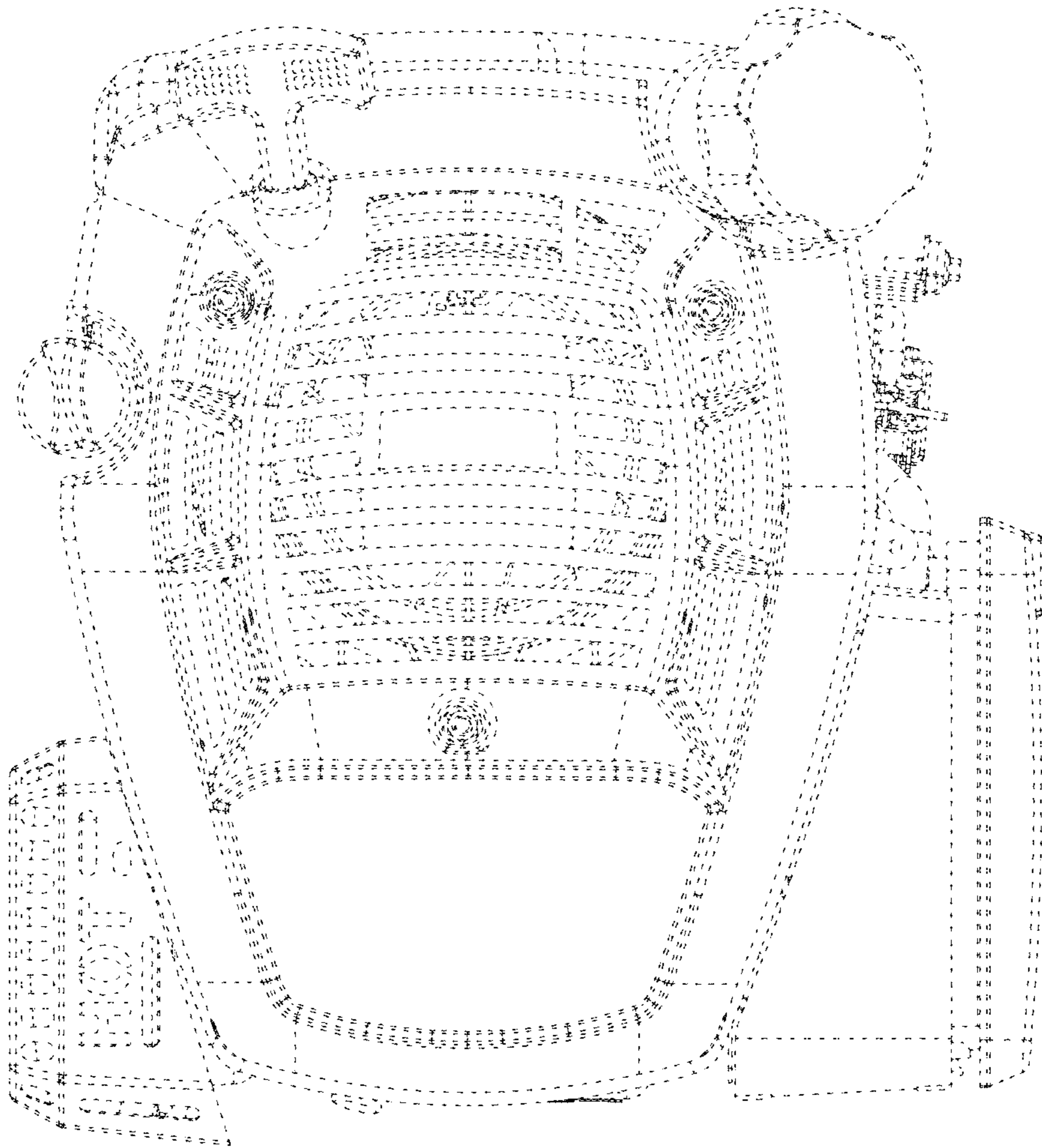


FIG. 18

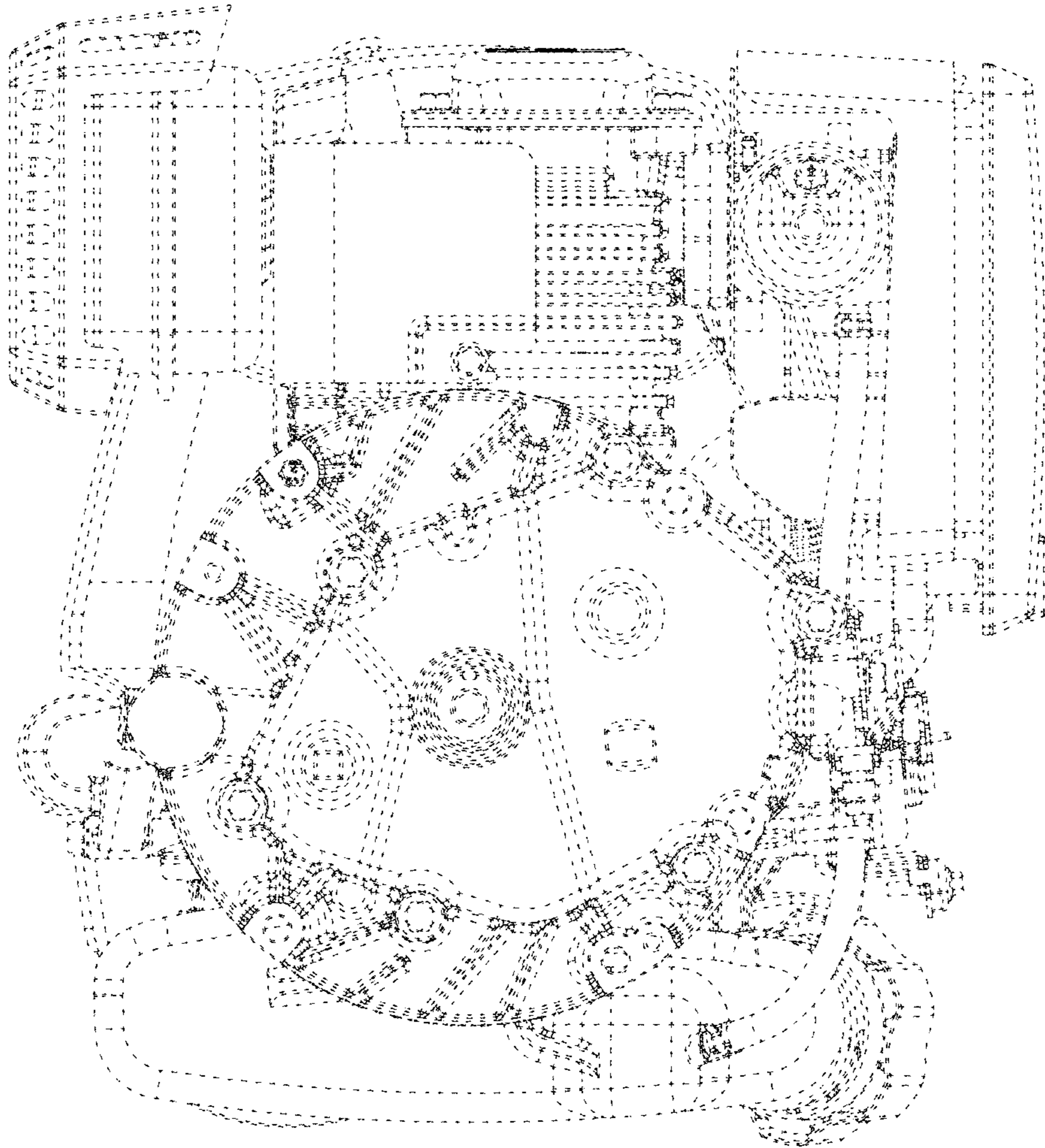


FIG. 19