



US00D921045S

(12) **United States Design Patent** (10) **Patent No.:** **US D921,045 S**
Joughin et al. (45) **Date of Patent:** **** Jun. 1, 2021**

- (54) **OIL PICK-UP ASSEMBLY**
- (71) Applicant: **APQ Development, LLC**, Jackson, MI (US)
- (72) Inventors: **Justin Joughin**, Morenci, MI (US); **Lee McLain**, Jonesville, MI (US)
- (73) Assignee: **APQ Development, LLC**, Jackson, MI (US)
- (**) Term: **15 Years**
- (21) Appl. No.: **29/747,574**
- (22) Filed: **Aug. 24, 2020**
- (51) **LOC (13) Cl.** **15-01**
- (52) **U.S. Cl.**
USPC **D15/5**
- (58) **Field of Classification Search**
USPC D15/5, 149, 150, 151, 152
CPC F01M 11/0004; F01M 2011/002; F01M 2011/0033; F01M 2011/0037; F01M 2011/007; F01M 11/12; F01M 1/00; F01M 1/12; F01M 11/03; F01M 1/10; F01M 11/00; F02F 7/0039; F02F 7/0068; F16N 19/00; F02B 75/007; F02B 63/02; A01D 69/00
See application file for complete search history.

3,773,144 A	11/1973	Hummel
3,904,528 A	9/1975	Yocum
4,021,344 A	5/1977	Webb
4,056,168 A	11/1977	Bajohr
4,129,503 A	12/1978	Joseph
4,179,379 A	12/1979	Mitchell
4,224,161 A	9/1980	Anderson et al.
4,351,550 A	9/1982	Anderson et al.
4,417,383 A	11/1983	Anderson et al.
4,616,610 A	10/1986	Ishida
4,768,936 A	9/1988	Etamad et al.
4,804,466 A	2/1989	Cooper et al.
4,828,694 A	5/1989	Leason
4,930,469 A	6/1990	Kamprath et al.
5,049,274 A	9/1991	Leason et al.
5,088,579 A	2/1992	Kim et al.
5,099,954 A	3/1992	Kikuchi et al.
5,130,014 A	7/1992	Volz

(Continued)

Primary Examiner — Ania Aman
(74) *Attorney, Agent, or Firm* — Honigman LLP; Brett A. Krueger

(57) **CLAIM**

The ornamental design for an oil pick-up assembly, as shown and described.

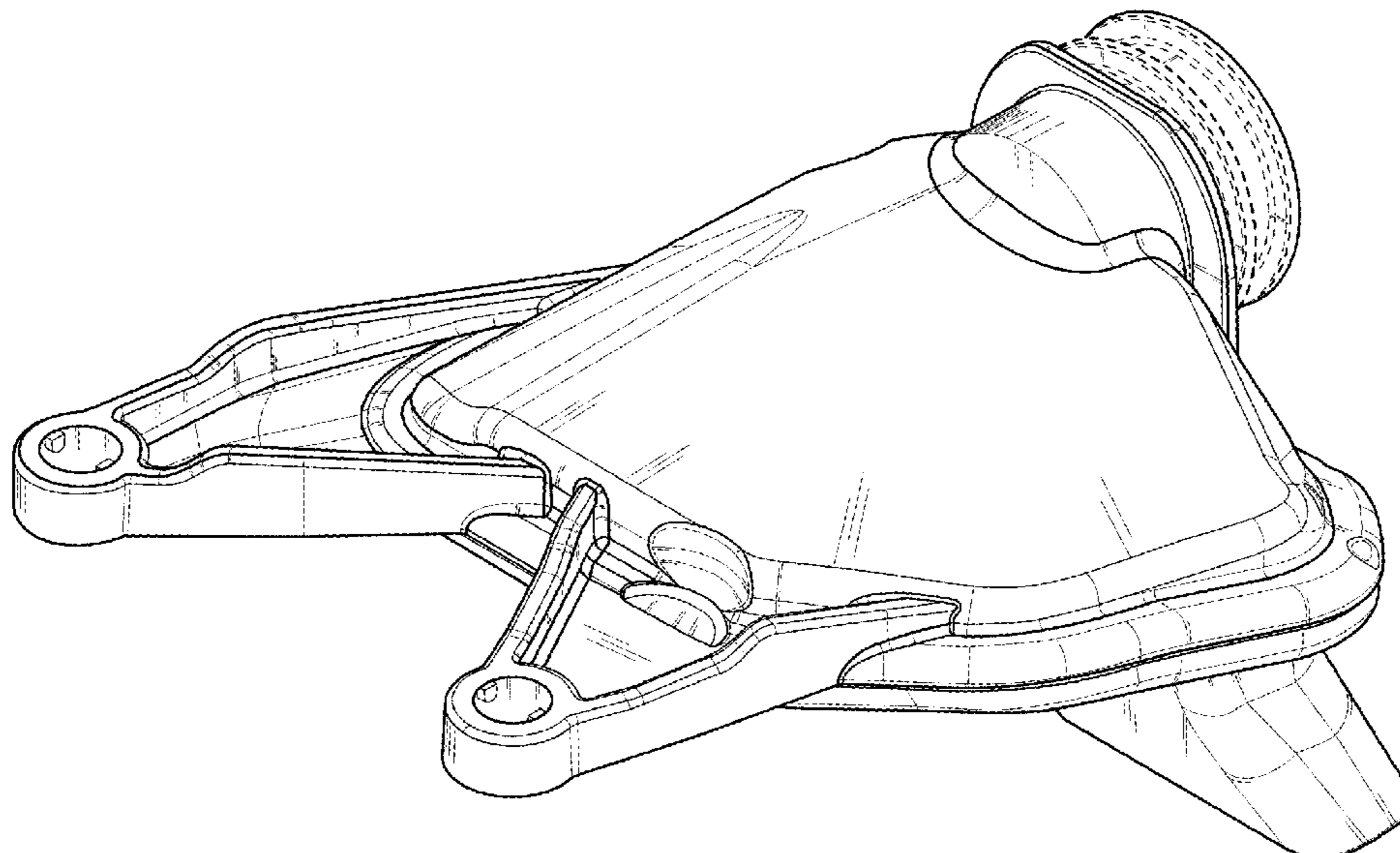
DESCRIPTION

FIG. 1 is bottom-rear perspective view of an oil pick-up assembly, showing our design;
FIG. 2 is a top-front perspective view thereof;
FIG. 3 is a rear view thereof;
FIG. 4 is a front view thereof;
FIG. 5 is a top view thereof;
FIG. 6 is a bottom view thereof;
FIG. 7 is a right side view thereof; and,
FIG. 8 is a left side view thereof.
The broken lines in the drawings are for the purpose of illustrating portions of the article and form no part of the claimed design.

1 Claim, 8 Drawing Sheets

(56) **References Cited**
U.S. PATENT DOCUMENTS

1,369,239 A	2/1921	Gulick
1,399,943 A	12/1921	Dunham
1,421,440 A	7/1922	Fisher
1,800,585 A	4/1931	Woolson
2,440,815 A	5/1948	Wharam et al.
3,211,256 A	10/1965	Teutsch
3,504,769 A	4/1970	Mettig
3,509,861 A	5/1970	Deutschmann et al.
3,592,293 A	7/1971	Frincke



(56)

References Cited

U.S. PATENT DOCUMENTS

5,176,174 A	1/1993	Toraason et al.	8,734,642 B2	5/2014	Fauchet
5,377,781 A	1/1995	Yun	8,893,896 B2	11/2014	Nishikawa
5,452,693 A	9/1995	Clark	9,028,221 B2	5/2015	Hritz
5,494,575 A *	2/1996	Kitajima	9,353,851 B2	5/2016	Kubota et al.
		B01D 29/23	9,376,942 B2	6/2016	Noguchi et al.
		184/6.24	9,441,746 B2	9/2016	Borlon et al.
5,531,196 A	7/1996	Clark	9,567,880 B2	2/2017	Shieh et al.
5,538,633 A	7/1996	Kitajima et al.	9,573,085 B2	2/2017	Beer et al.
5,863,081 A	1/1999	Katayama et al.	9,604,163 B2	3/2017	Hatae et al.
5,988,134 A	11/1999	Smietanski	9,677,436 B2	6/2017	Mordukhovich
D420,682 S *	2/2000	Werner	9,719,460 B2	8/2017	Kong et al.
		D15/5	9,719,463 B2	8/2017	Oltmans et al.
6,041,752 A	3/2000	Van Klompenburg	9,771,840 B2	9/2017	Zahdeh
6,142,257 A	11/2000	Bruener et al.	9,784,149 B2	10/2017	Matsuda et al.
6,165,373 A	12/2000	Agner	9,903,241 B2	2/2018	Hellman et al.
6,190,546 B1	2/2001	Agner	9,944,374 B1	4/2018	Anderson et al.
6,257,193 B1	7/2001	Alpan et al.	9,964,011 B2	5/2018	Mukohara
6,260,534 B1	7/2001	Kampichler et al.	D821,445 S *	6/2018	Buchen
6,289,865 B1	9/2001	Spix			D15/5
6,478,114 B2	11/2002	Ito et al.	10,086,318 B2	10/2018	Eleftherakis et al.
6,484,846 B1	11/2002	Parker	10,113,458 B2	10/2018	Takatsugi
6,520,293 B1	2/2003	Ogawa et al.	10,132,215 B2	11/2018	Nagai et al.
6,523,561 B2	2/2003	Kapcoe et al.	10,167,753 B2	1/2019	Mukohara et al.
6,524,476 B1	2/2003	Caiozza	10,227,903 B2	3/2019	Viola et al.
D472,247 S *	3/2003	Beer	10,247,065 B2	4/2019	Mercier
		D15/5	10,260,387 B2	4/2019	Kong et al.
6,539,912 B1	4/2003	Beer	10,294,889 B2	5/2019	Oltmans et al.
6,582,593 B2 *	6/2003	Wolford	D852,319 S	6/2019	Hellman et al.
		B01D 35/147	10,344,640 B2	7/2019	Miyamura et al.
		210/130	10,359,015 B2	7/2019	Pinault
6,584,950 B1	7/2003	Cunningham	10,371,249 B1	8/2019	Bluhm et al.
6,640,769 B2	11/2003	Nomura et al.	10,385,741 B2	8/2019	Petridis et al.
6,742,490 B2	6/2004	Meisner	10,434,677 B2 *	10/2019	Lucas
6,796,283 B1	9/2004	Fleury et al.			F01M 9/06
6,811,383 B2	11/2004	Maier	10,494,962 B2	12/2019	Yuki et al.
6,845,743 B1	1/2005	Bishop	10,494,964 B2	12/2019	Heckman et al.
7,047,927 B2	5/2006	Hashimoto et al.	10,508,571 B2	12/2019	Blundy
7,096,845 B1	8/2006	Vaandrager et al.	10,570,788 B2	2/2020	Bennett et al.
7,124,730 B2	10/2006	Schwarzl et al.	10,677,343 B2	6/2020	Howard et al.
7,128,218 B2	10/2006	Rosendahl et al.	10,695,883 B2	6/2020	Hugel
7,140,934 B2	11/2006	Hoi	10,724,406 B2	7/2020	Hellman et al.
7,171,937 B2	2/2007	Hada et al.	2002/0000079 A1	1/2002	Ito et al.
7,210,562 B2	5/2007	Morii et al.	2002/0000962 A1	1/2002	Kapcoe et al.
7,261,079 B2	8/2007	Gunji et al.	2002/0007984 A1	1/2002	Ito et al.
7,270,104 B2	9/2007	Hashimoto et al.	2002/0096221 A1	7/2002	Kapcoe et al.
7,383,809 B2	6/2008	Rosendahl et al.	2003/0000377 A1	1/2003	Nomura et al.
7,398,858 B2	7/2008	Bicker et al.	2003/0001524 A1	1/2003	Maier
7,418,938 B2	9/2008	Hashimoto et al.	2003/0037758 A1	2/2003	Nomura et al.
7,422,021 B2	9/2008	Leaphart	2003/0132157 A1 *	7/2003	Beer
7,451,736 B2	11/2008	Migaud et al.			B01D 35/0273
7,478,618 B2	1/2009	Hashimoto et al.	2003/0152464 A1	8/2003	210/435
7,571,705 B2	8/2009	Inaba	2004/0000075 A1	1/2004	Maier
7,655,078 B2	2/2010	Saito et al.	2004/0000605 A1	1/2004	Rosendahl et al.
7,681,890 B2	3/2010	Griffin et al.	2004/0007520 A1 *	1/2004	Meisner
7,748,500 B2	7/2010	Nagano et al.	2004/0060533 A1	4/2004	Rosendahl
7,757,656 B2	7/2010	Hoi et al.	2004/0084250 A1	4/2004	F01M 11/0004
7,767,084 B2	8/2010	Jinbo et al.	2004/0141128 A1	4/2004	210/435
7,841,313 B2	11/2010	Hashimoto et al.	2004/0231924 A1	4/2004	Meisner
7,878,085 B2	2/2011	Keyaki et al.	2004/0231924 A1	5/2004	Morii et al.
7,922,005 B2	4/2011	Haladyna	2005/0268877 A1	7/2004	Kim et al.
7,958,861 B2	6/2011	Klumpp et al.	2005/0279314 A1	11/2004	Schwarzl et al.
7,992,534 B2	8/2011	Hashimoto et al.	2005/0281693 A1	12/2005	Hashimoto et al.
8,011,340 B2	9/2011	Bicker et al.	2006/0068656 A1	12/2005	Hada et al.
8,011,342 B2	9/2011	Bluhm	2006/0137940 A1	12/2005	Roberts
8,038,877 B2	10/2011	Stausberg et al.	2006/0180116 A1	3/2006	Hoi
8,066,100 B2	11/2011	Mori et al.	2006/0191506 A1	6/2006	Gunji et al.
8,075,772 B2	12/2011	Suga	2006/0219620 A1	8/2006	Vaandrager et al.
8,113,167 B2	2/2012	Jessberger et al.	2007/0017745 A1 *	8/2006	Hashimoto et al.
8,125,601 B2	2/2012	Kim et al.	2007/0062562 A1	10/2006	Suga
8,146,561 B2	4/2012	Pryor et al.	2007/0163442 A1	1/2007	Rosendahl
8,297,251 B2	10/2012	Asaya	2007/0221447 A1	1/2007	F01M 11/0004
8,297,407 B2	10/2012	Mori et al.	2007/0272194 A1	1/2007	184/6.24
8,336,515 B2	12/2012	Jainek et al.	2007/0272195 A1	3/2007	Leaphart
8,443,777 B2	5/2013	Enokida	2007/0289569 A1	7/2007	Saito et al.
8,464,683 B2	6/2013	Hashimoto et al.	2008/0011260 A1	9/2007	Bicker et al.
8,496,812 B2 *	7/2013	Beer	2008/0017158 A1	11/2007	Hoi et al.
		F01M 11/0004	2008/0047521 A1	11/2007	Keyaki et al.
		210/167.03	2008/0078352 A1	12/2007	Migaud et al.
8,635,983 B2	1/2014	Enokida	2008/0210491 A1	1/2008	Hashimoto et al.
8,673,141 B2	3/2014	Stausberg et al.	2008/0216789 A1	1/2008	Hashimoto et al.
				2/2008	Koyama
				4/2008	Inaba
				9/2008	Mori et al.
				9/2008	Hashimoto et al.

(56)

References Cited

U.S. PATENT DOCUMENTS

2008/0237111	A1	10/2008	Haladyna		2015/0096527	A1	4/2015	Kong et al.
2008/0264727	A1*	10/2008	Nagano	F01M 11/0004 184/106	2015/0096840	A1	4/2015	Kong et al.
2008/0283020	A1	11/2008	Bicker et al.		2015/0114897	A1	4/2015	Eleftherakis et al.
2008/0290013	A1	11/2008	Stausberg et al.		2015/0129471	A1	5/2015	Beer et al.
2009/0045129	A1	2/2009	Jinbo et al.		2015/0129727	A1	5/2015	Marsar et al.
2009/0139482	A1	6/2009	Bicker et al.		2015/0136064	A1	5/2015	Matsuda et al.
2009/0139922	A1*	6/2009	Poskie	B01D 35/0273 210/167.08	2015/0247431	A1	9/2015	Yuki et al.
2009/0230049	A1	9/2009	Stausberg et al.		2015/0300220	A1	10/2015	Mordukhovich
2009/0301954	A1*	12/2009	Beer	F16H 57/04 210/167.08	2016/0245135	A1	8/2016	Zandeh
2010/0012074	A1	1/2010	Asaya		2016/0245136	A1	8/2016	Takatsugi
2010/0012075	A1	1/2010	Bluhm		2016/0281555	A1	9/2016	Nagai et al.
2010/0037849	A1	2/2010	Jainek et al.		2016/0319714	A1	11/2016	Shieh et al.
2010/0038296	A1*	2/2010	Beer	F01M 11/0004 210/167.03	2016/0319715	A1	11/2016	Shieh et al.
2010/0108019	A1	5/2010	Klumpp et al.		2017/0138232	A1	5/2017	Hellman et al.
2010/0133164	A1	6/2010	Nishikawa		2017/0218802	A1	8/2017	Takano
2010/0162988	A1	7/2010	Enokida		2017/0268393	A1	9/2017	Pekarsky et al.
2010/0212623	A1	8/2010	Jessberger et al.		2017/0276036	A1	9/2017	Mukohara et al.
2010/0224450	A1	9/2010	Dods et al.		2017/0276038	A1	9/2017	Mukohara
2010/0300395	A1	12/2010	Enokida		2017/0362972	A1	12/2017	Mercier
2011/0067666	A1	3/2011	Hashimoto et al.		2017/0368656	A1	12/2017	Hugel
2011/0253091	A1	10/2011	Hashimoto et al.		2017/0370336	A1	12/2017	Pinault
2012/0037456	A1	2/2012	Mori et al.		2018/0031107	A1	2/2018	Howard et al.
2012/0073527	A1	3/2012	Oltmans et al.		2018/0135477	A1	5/2018	Hellman et al.
2012/0073537	A1	3/2012	Oltmans et al.		2018/0135478	A1	5/2018	Blundy
2012/0085689	A1	4/2012	Fauchet		2018/0202330	A1	7/2018	Petridis et al.
2012/0210971	A1	8/2012	Noguchi et al.		2018/0283244	A1	10/2018	Fujinuma et al.
2012/0234741	A1	9/2012	Hritz		2018/0283245	A1	10/2018	Miyamura et al.
2012/0305469	A1	12/2012	Stausberg et al.		2018/0298797	A1	10/2018	Heckman et al.
2014/0116931	A1	5/2014	Beer et al.		2018/0334934	A1	11/2018	Hellman et al.
2014/0144831	A1*	5/2014	Rosendahl	B01D 35/30 210/416.5	2018/0347415	A9	12/2018	Mercier
2014/0166401	A1	6/2014	Kubota et al.		2018/0347420	A1	12/2018	Bedi et al.
2014/0197085	A1	7/2014	Stausberg et al.		2019/0024544	A1	1/2019	Viola et al.
2014/0373939	A1	12/2014	Borlon et al.		2019/0072014	A1	3/2019	Hutchins
2015/0028038	A1	1/2015	Franz		2019/0084178	A1*	3/2019	Lucas
2015/0090216	A1	4/2015	Hatae et al.		2019/0128155	A1	5/2019	Bennett et al.
					2019/0264589	A1	8/2019	Lechartier et al.
					2019/0264635	A1	8/2019	Oltmans et al.
					2019/0285161	A1*	9/2019	Rosendahl
					2020/0049035	A1	2/2020	Feng et al.
					2020/0116052	A1	4/2020	Pekarsky et al.
					2020/0116053	A1	4/2020	Blundy
					2020/0149446	A1	5/2020	Owaki
					2020/0182109	A1	6/2020	Shen et al.

* cited by examiner

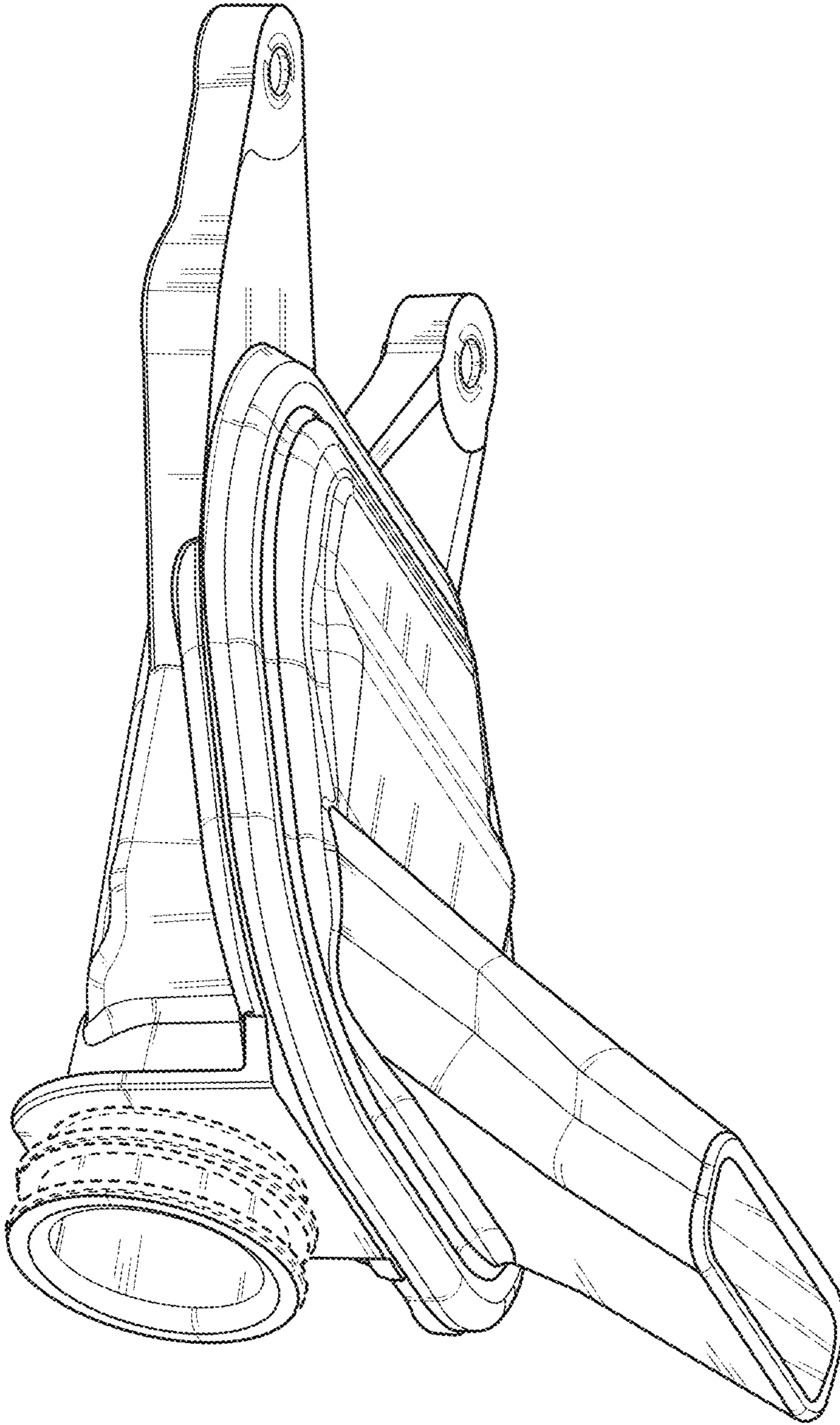


FIG. 1

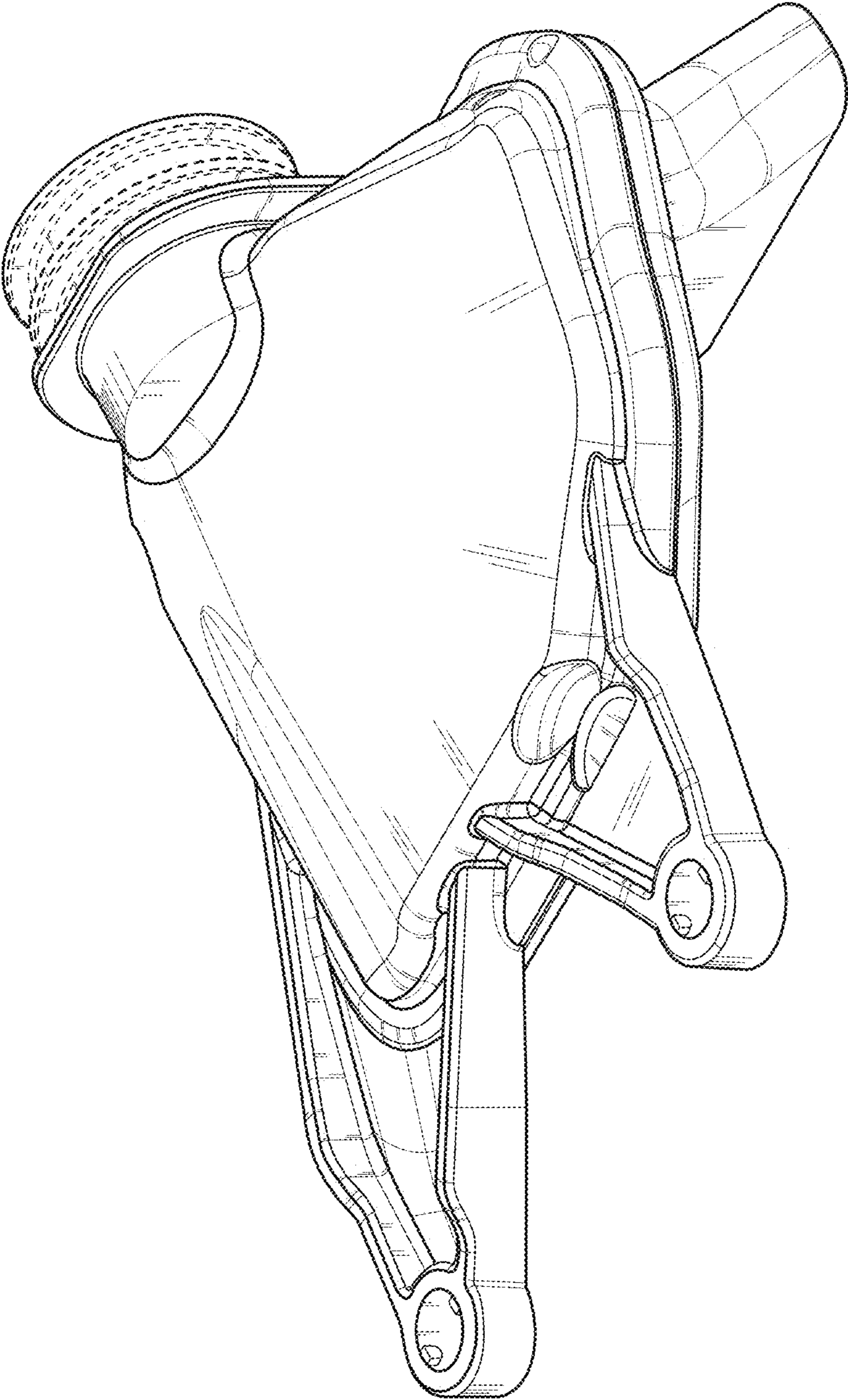


FIG. 2

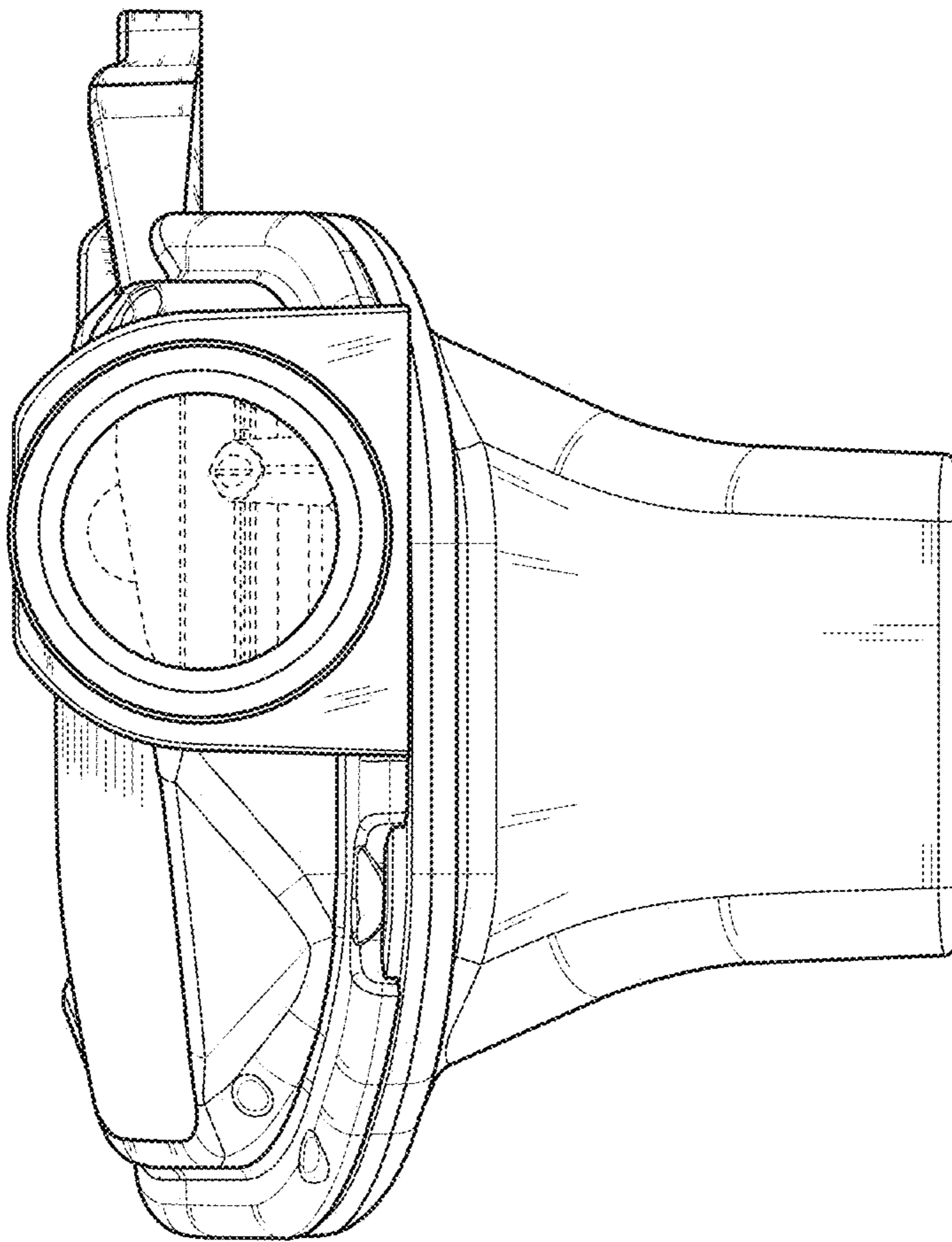


FIG. 3

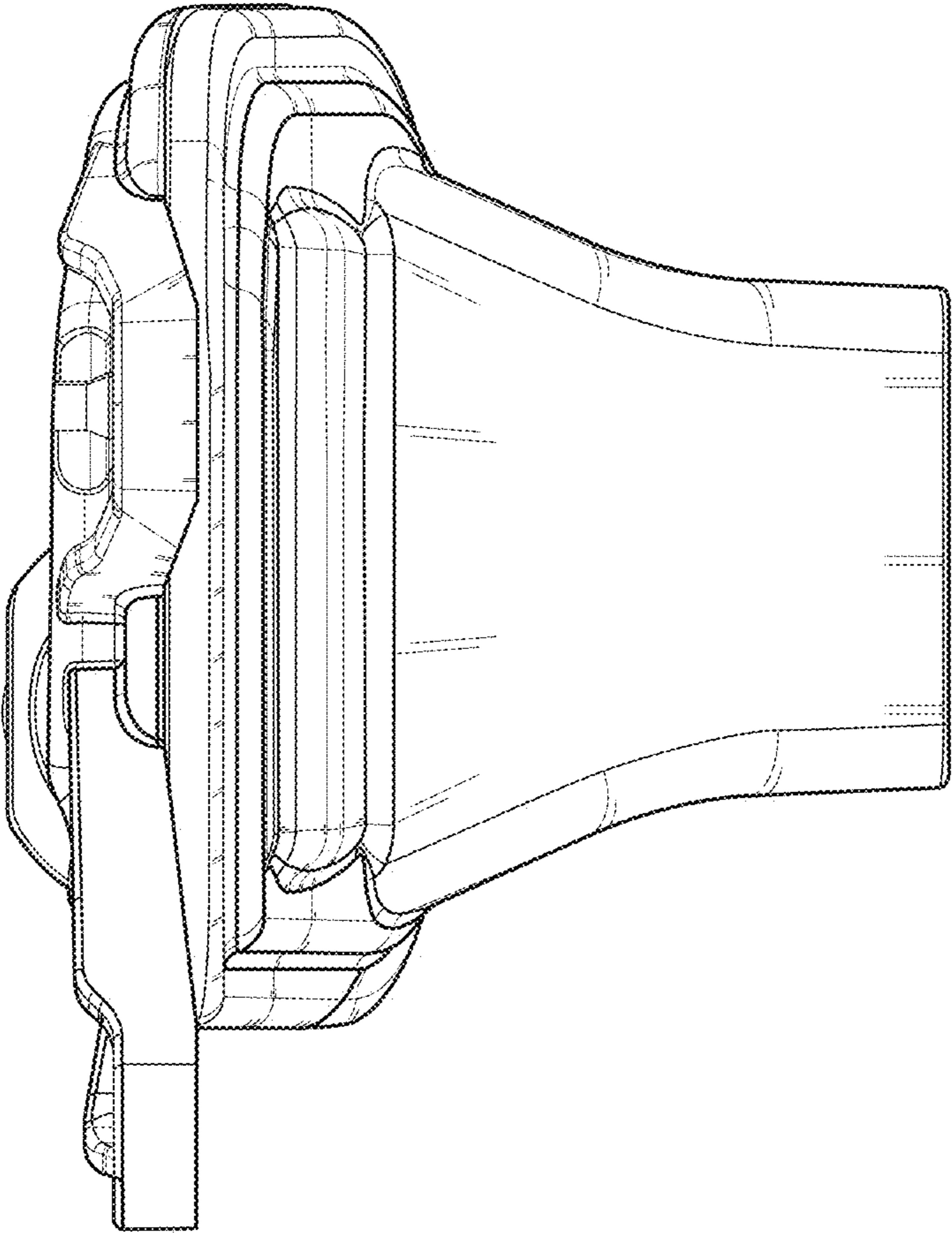


FIG. 4

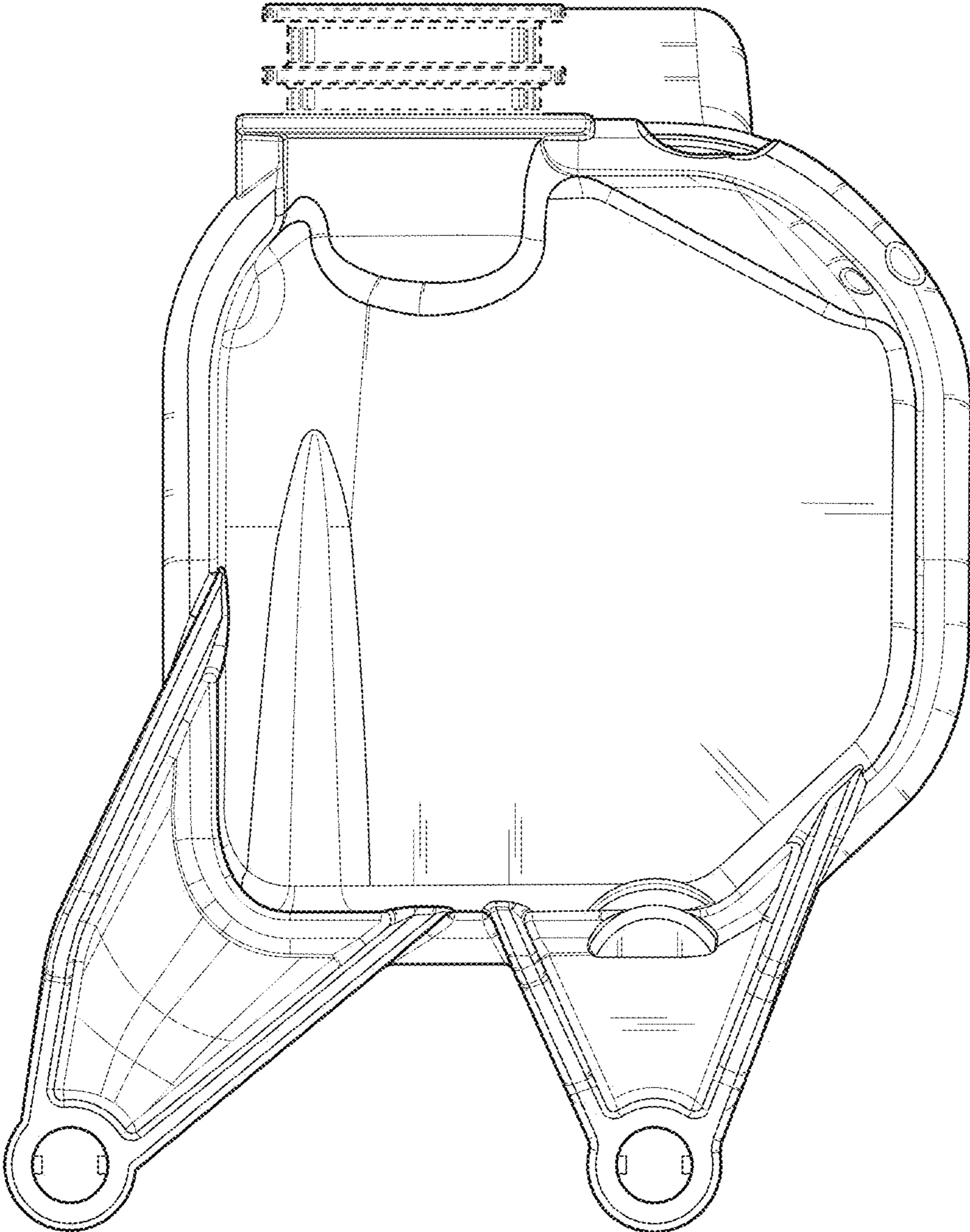


FIG. 5

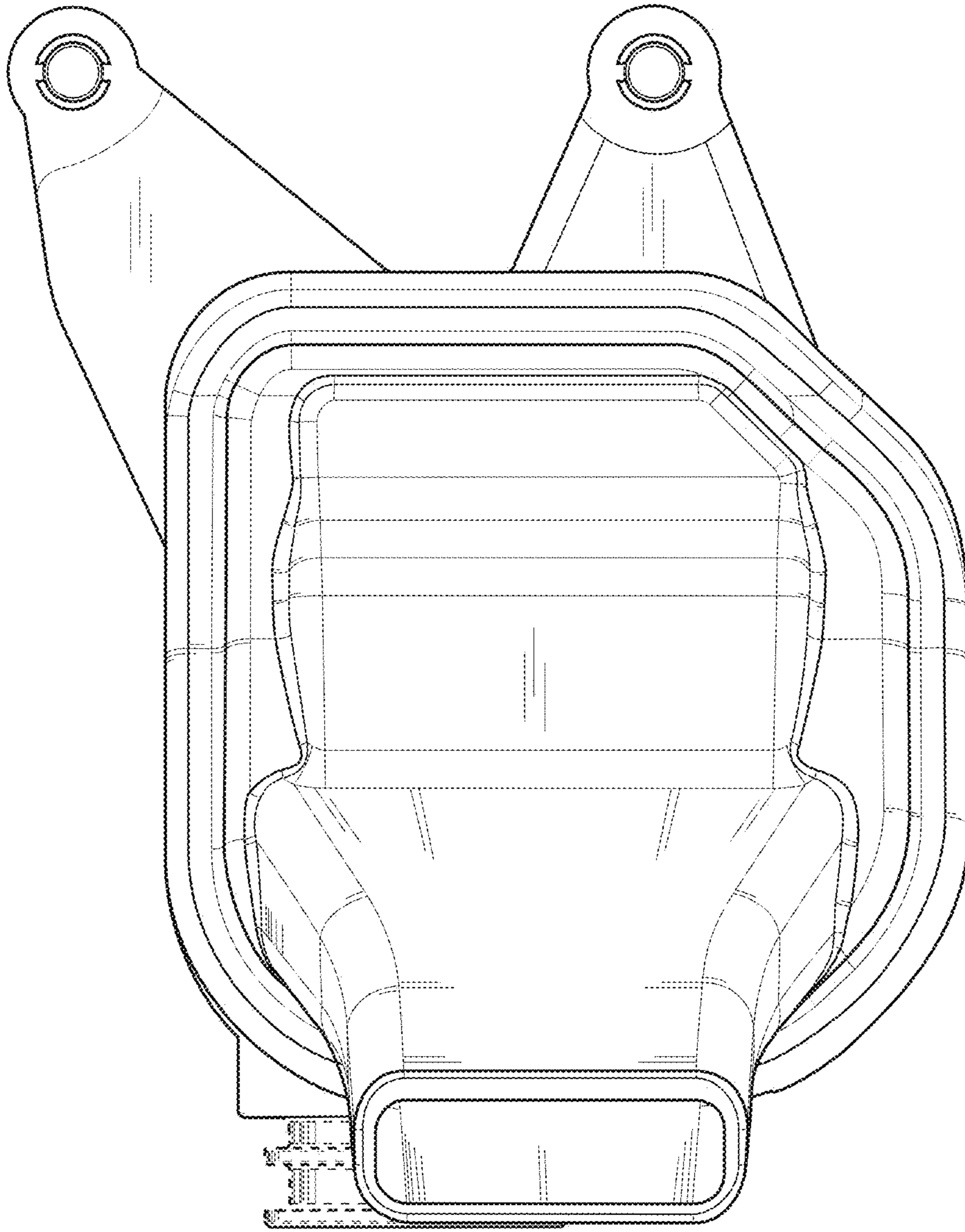


FIG. 6

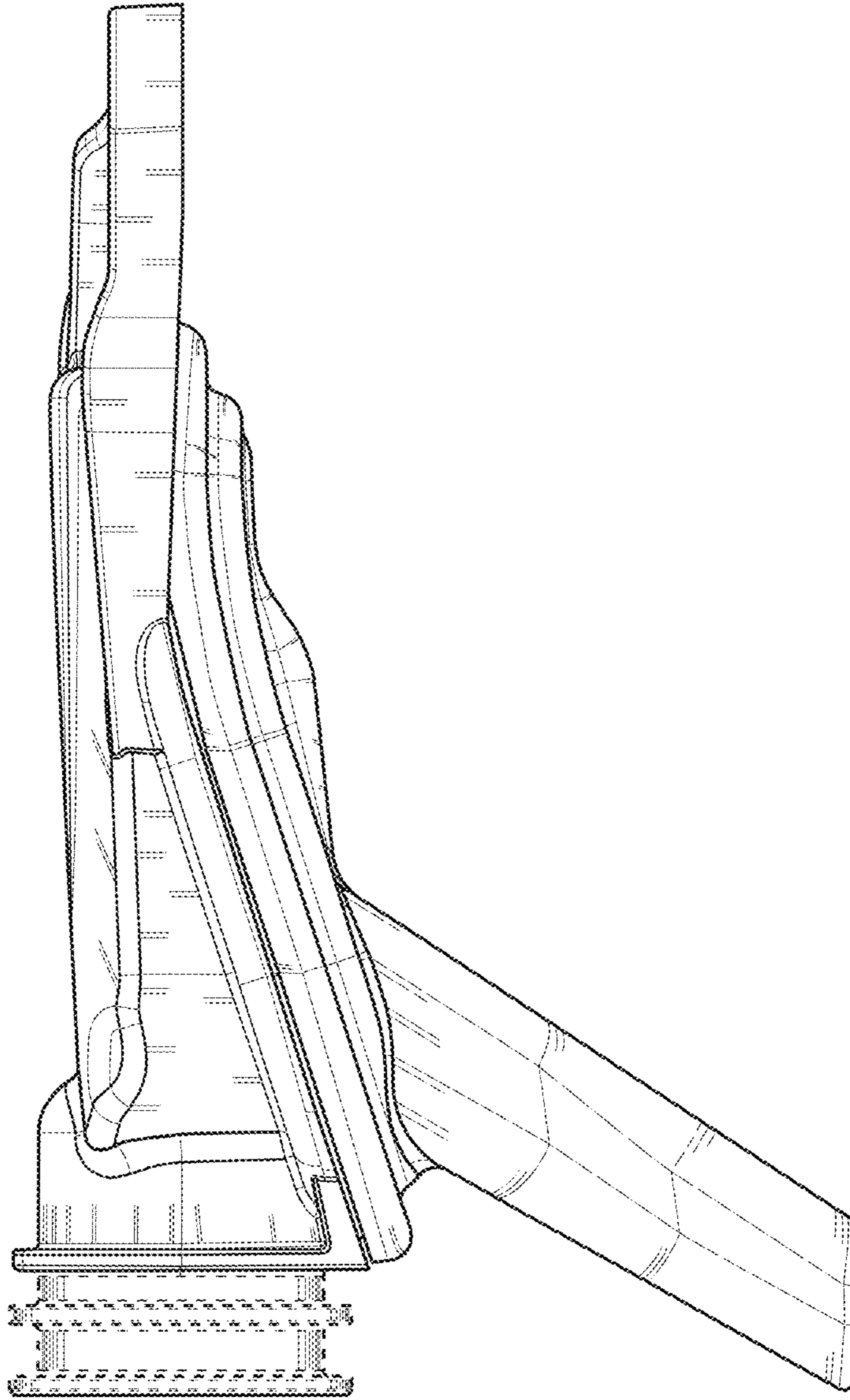


FIG. 7

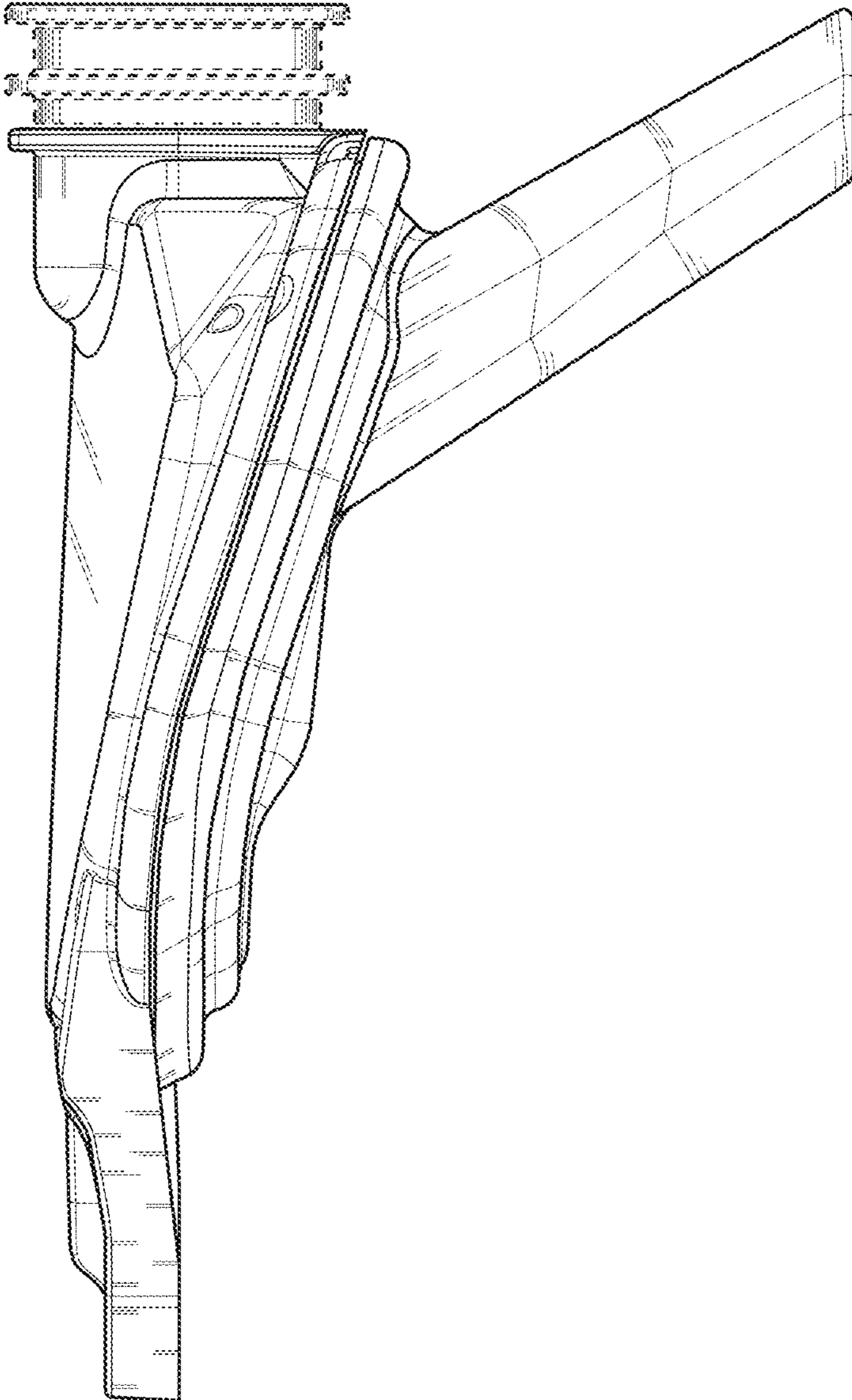


FIG. 8