



US00D921044S

(12) **United States Design Patent** (10) **Patent No.:** **US D921,044 S**  
**Patil** (45) **Date of Patent:** **\*\* Jun. 1, 2021**

(54) **PISTON COOLING APPARATUS**

FOREIGN PATENT DOCUMENTS

(71) Applicant: **Transportation IP Holdings, LLC**,  
Norwalk, CT (US)

DE 102004049174 A1 \* 4/2006 ..... F02F 3/22  
DE 102015203134 A1 \* 8/2015 ..... F01P 3/10

(Continued)

(72) Inventor: **Abhijit Eknath Patil**, Bangalore (IN)

OTHER PUBLICATIONS

(73) Assignee: **TRANSPORTATION IP HOLDINGS, LLC**,  
Norwalk, CT (US)

Patil, A., "Piston Cooling jet System," U.S. Appl. No. 16/530,862,  
filed Aug. 2, 2019, 33 pages.

(Continued)

(\*\*) Term: **15 Years**

*Primary Examiner* — Ania Aman

(21) Appl. No.: **29/700,594**

(74) *Attorney, Agent, or Firm* — McCoy Russell LLP

(22) Filed: **Aug. 2, 2019**

(57) **CLAIM**

(51) **LOC (13) Cl.** ..... **15-01**

The ornamental design for a piston cooling apparatus, as  
shown and described.

(52) **U.S. Cl.**

**DESCRIPTION**

USPC ..... **D15/5**

(58) **Field of Classification Search**

USPC ..... D15/1, 2, 3, 4, 5, 6, 7

CPC ..... F01P 3/08; F01P 3/10; F01P 3/06

See application file for complete search history.

(56) **References Cited**

U.S. PATENT DOCUMENTS

4,408,575	A	10/1983	Clairmont, Jr. et al.	
10,590,830	B1 *	3/2020	Candela	F02F 3/22
2005/0092265	A1 *	5/2005	Dunbar	F01P 3/10
				123/41.35
2006/0169331	A1 *	8/2006	Neto	F16K 15/044
				137/539
2006/0243226	A1 *	11/2006	Bontaz	F01M 1/08
				123/41.35
2010/0001103	A1 *	1/2010	Neto	F01P 3/08
				239/583
2010/0095910	A1 *	4/2010	Phelps	F01M 1/08
				123/41.35
2014/0060464	A1 *	3/2014	Bennington	F01P 3/06
				123/41.35

(Continued)

FIG. 1 is a front elevation view of a design for a piston cooling apparatus including a mounting fixture.

FIG. 2 is a left side elevation view of the piston cooling apparatus of FIG. 1.

FIG. 3 is a back elevation view of the piston cooling apparatus of FIG. 1.

FIG. 4 is a right side elevation view of the piston cooling apparatus of FIG. 1.

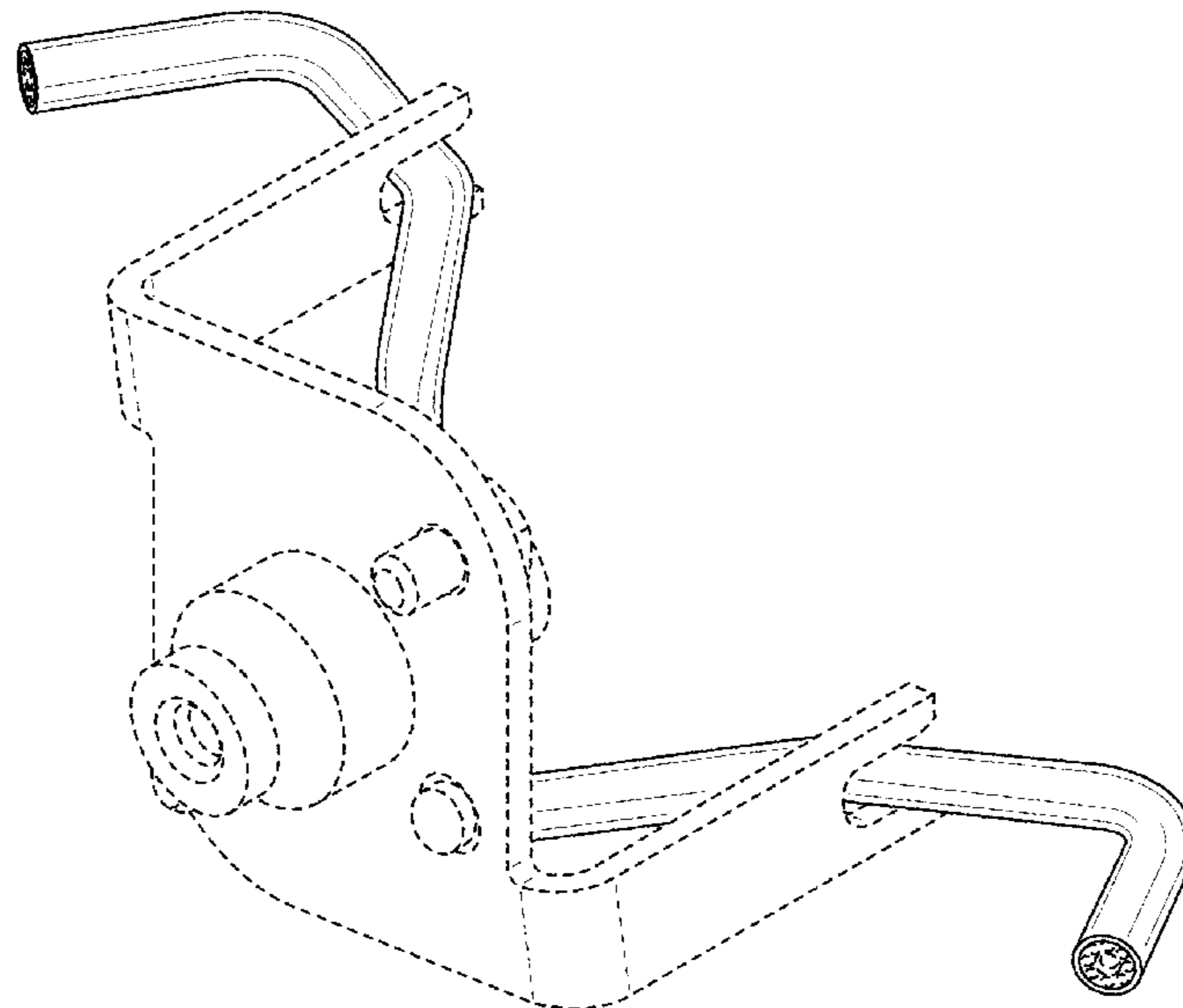
FIG. 5 is a top plan view of the piston cooling apparatus of FIG. 1.

FIG. 6 is a bottom plan view of the piston cooling apparatus of FIG. 1; and,

FIG. 7 is a front-right perspective view of the piston cooling apparatus of FIG. 1.

The broken lines in the drawing views are included for the purpose of illustrating portions of the piston cooling apparatus that form no part of the claimed design. For purposes of clarity, FIGS. 1-7 show the piston cooling apparatus with the mounting fixture in environment. The mounting fixture is shown for illustrative purposes and forms no part of the claimed design.

**1 Claim, 7 Drawing Sheets**



(56)

**References Cited**

U.S. PATENT DOCUMENTS

2014/0238317 A1\* 8/2014 Gokan ..... F01P 3/08  
 123/41.17  
 2015/0068471 A1\* 3/2015 Schneider ..... G05D 7/0126  
 123/41.08  
 2015/0330286 A1\* 11/2015 Claywell ..... F01M 1/08  
 123/41.35  
 2018/0126405 A1\* 5/2018 Ogino ..... F01P 3/08  
 2018/0283257 A1\* 10/2018 Sotani ..... F01M 1/08  
 2019/0145301 A1\* 5/2019 Kuhn ..... F01P 3/02  
 123/41.35

FOREIGN PATENT DOCUMENTS

DE 102015016370 A1 \* 6/2017 ..... F01M 1/08  
 DE 102017001615 B3 \* 5/2018 ..... F01P 3/08  
 EP 1273774 A1 \* 1/2003 ..... F01P 3/08

EP 1394376 A1 \* 3/2004 ..... F01P 3/08  
 EP 2713020 A1 \* 4/2014 ..... F01P 3/08  
 EP 2835511 A1 \* 2/2015 ..... F01P 3/08  
 FR 2844002 A1 \* 3/2004 ..... F01P 3/08  
 FR 3047769 A1 \* 8/2017 ..... F01M 1/08  
 WO WO-2005026591 A2 \* 3/2005 ..... F16K 15/025  
 WO WO-2006069075 A2 \* 6/2006 ..... F01M 1/08  
 WO WO-2008072680 A1 \* 6/2008 ..... F01M 1/08  
 WO WO-2014077964 A1 \* 5/2014 ..... F01M 1/08  
 WO WO-2016189959 A1 \* 12/2016 ..... F01M 1/08  
 WO WO-2017038756 A1 \* 3/2017 ..... F02F 3/22  
 WO WO-2018164878 A1 \* 9/2018 ..... F01P 3/08  
 WO WO-2018229414 A1 \* 12/2018 ..... F01M 1/08

OTHER PUBLICATIONS

Patil, A., "An Ornamental Design For A Piston Cooling Apparatus,"  
 U.S. Appl. No. 29/700,598, filed Aug. 2, 2019, 6 pages.

\* cited by examiner

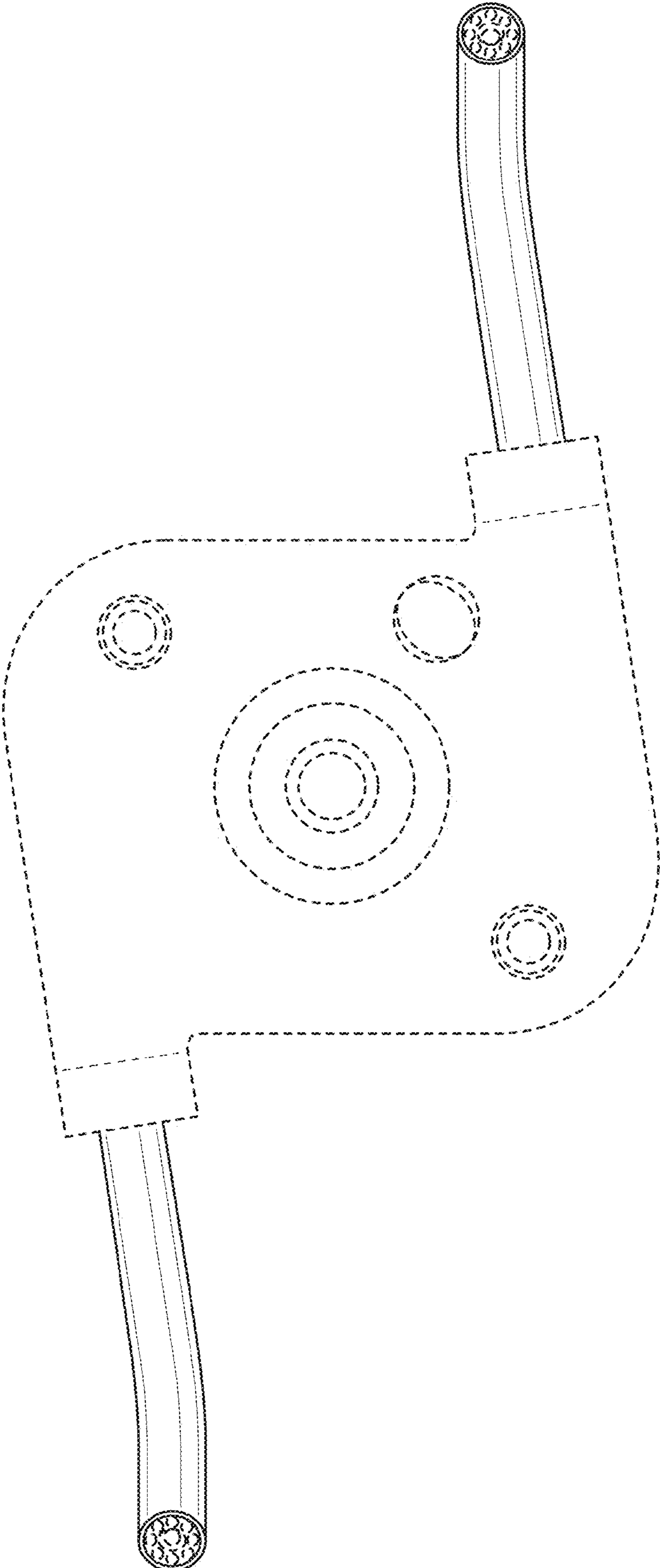


FIG. 1

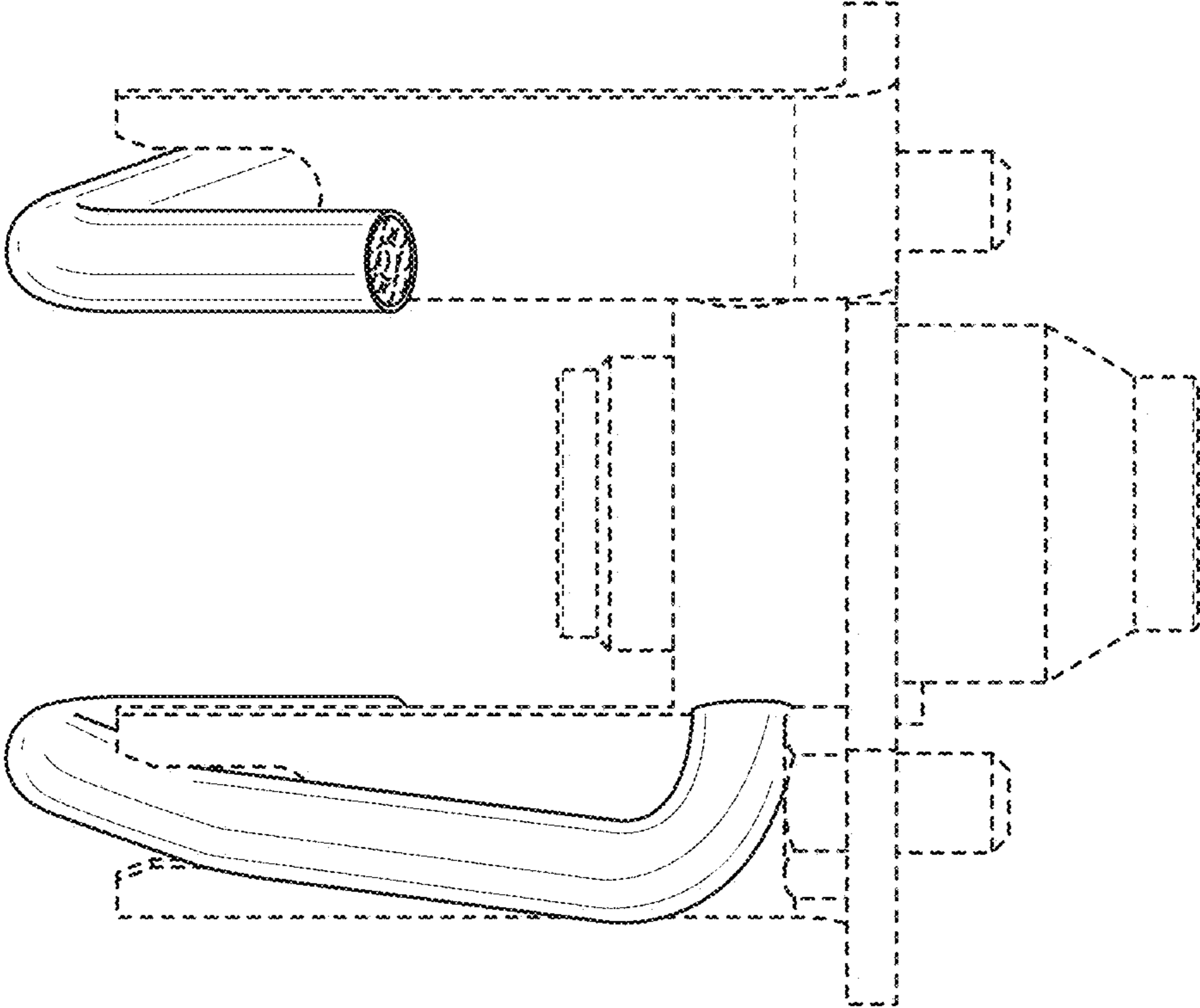


FIG. 2

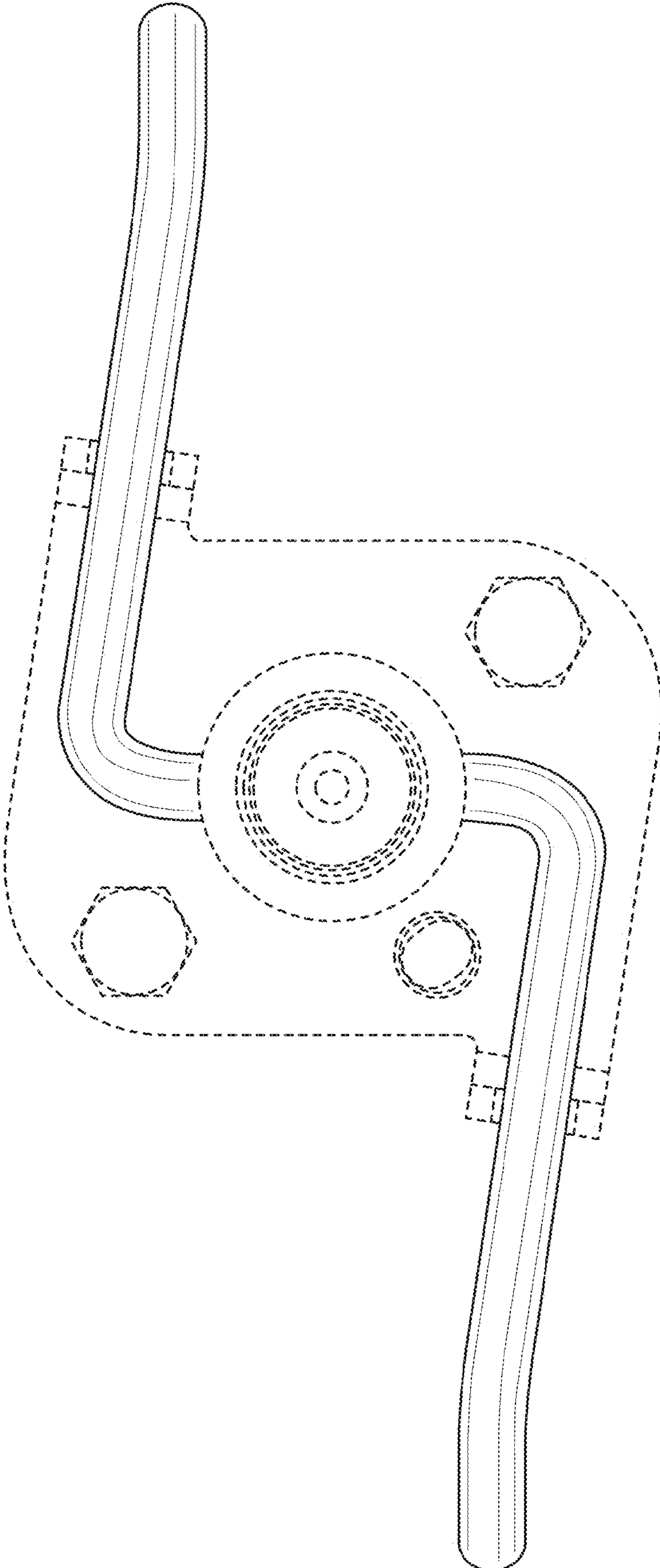


FIG. 3

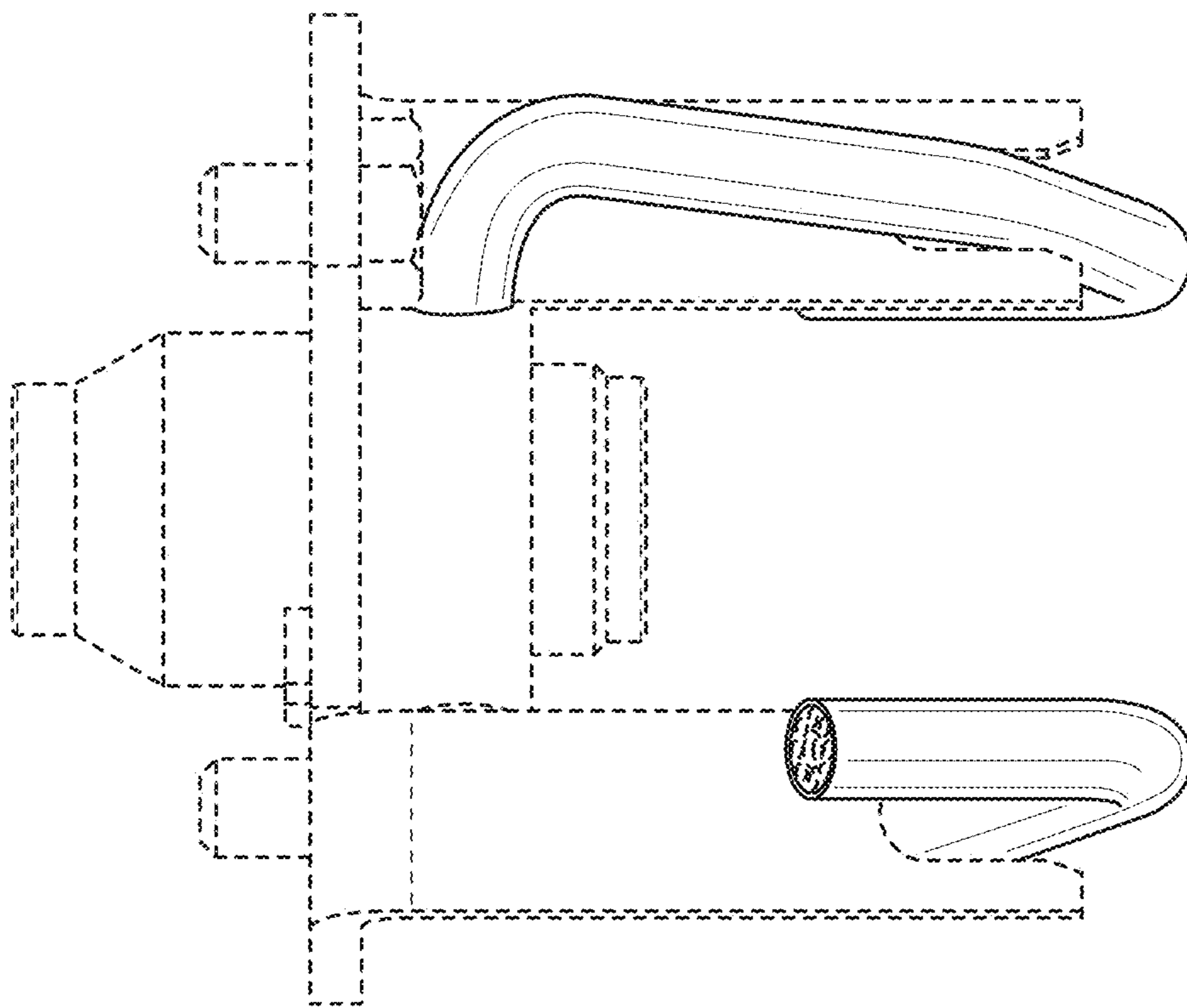


FIG. 4

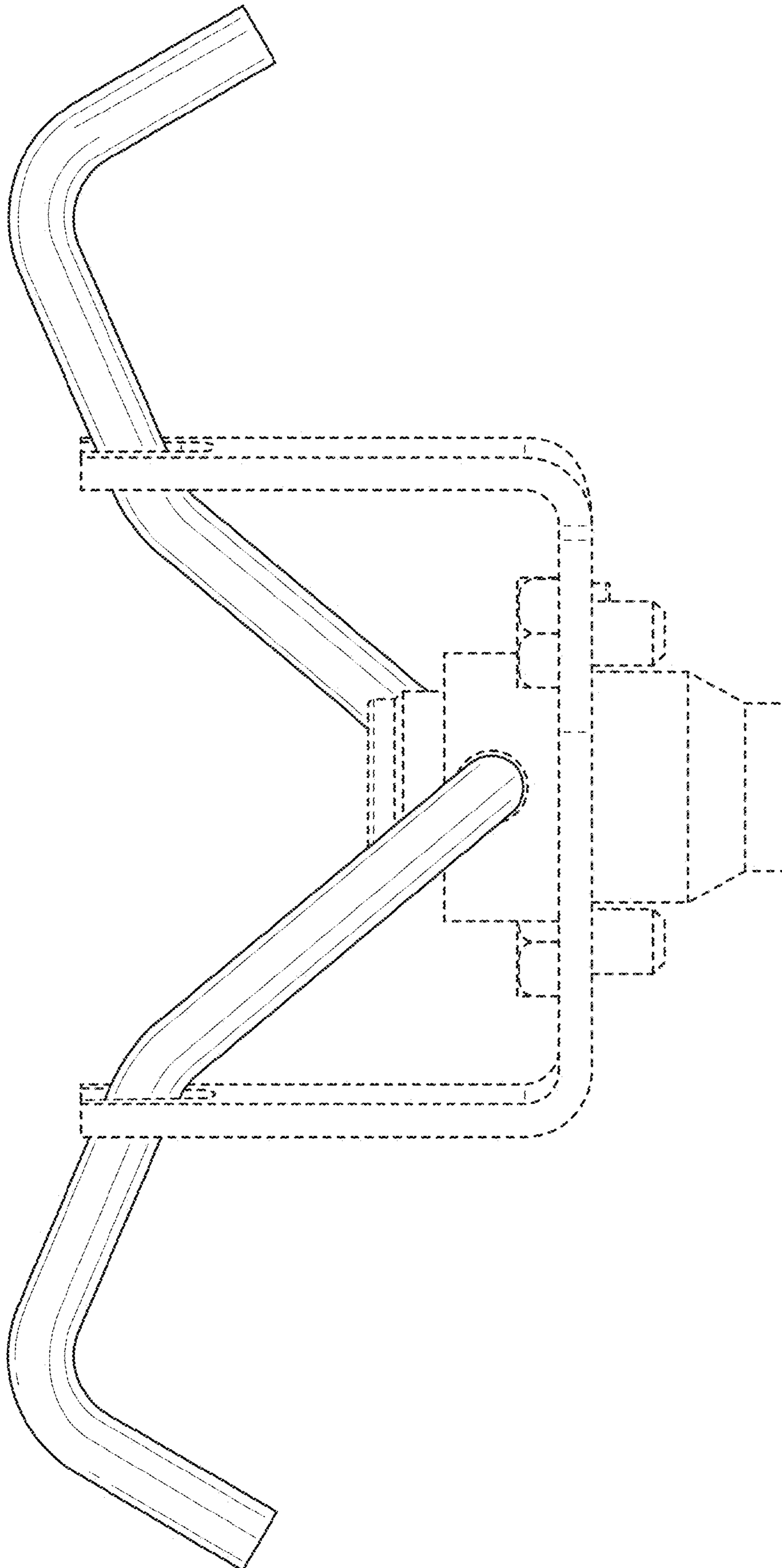


FIG. 5

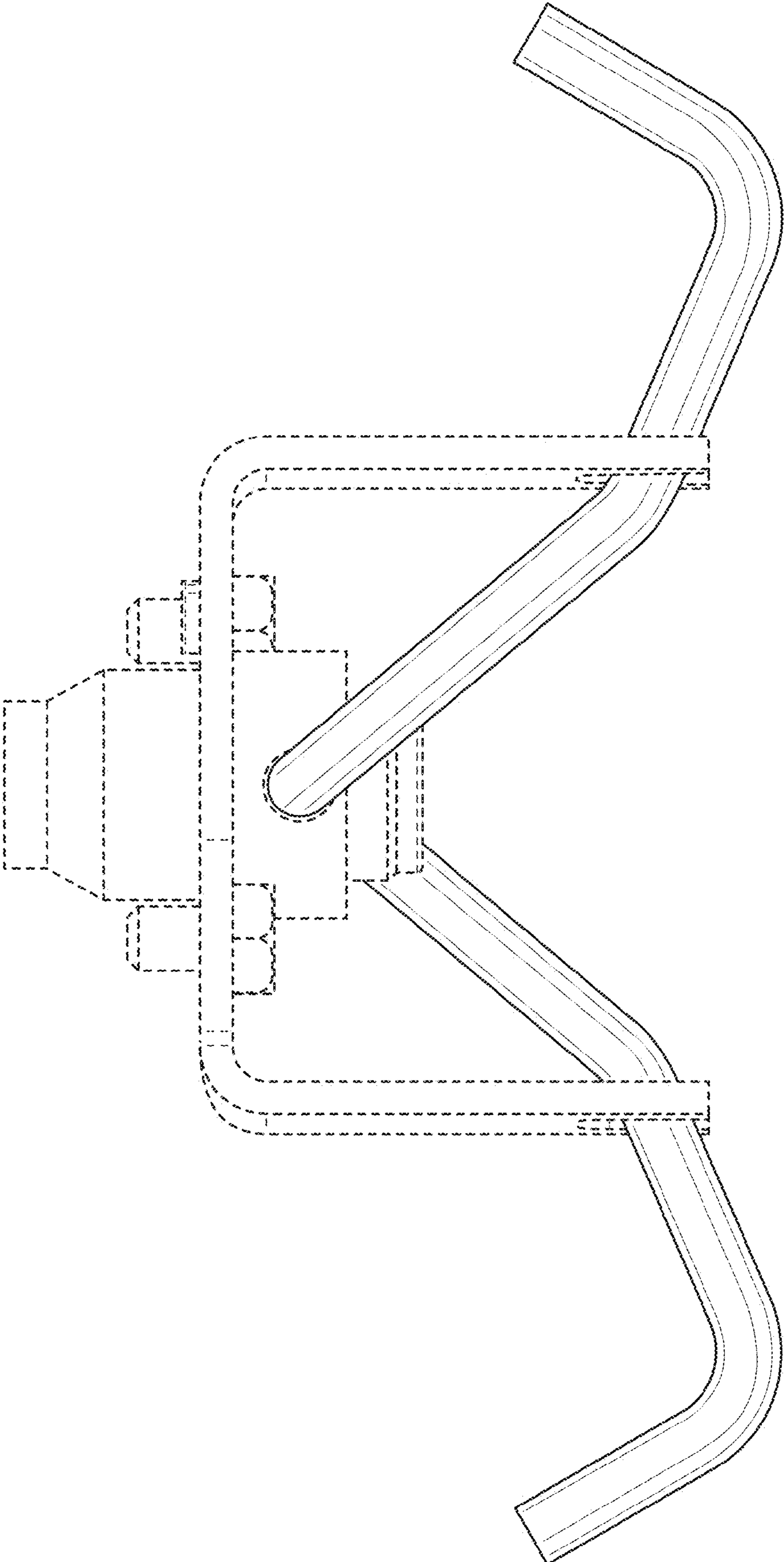


FIG. 6



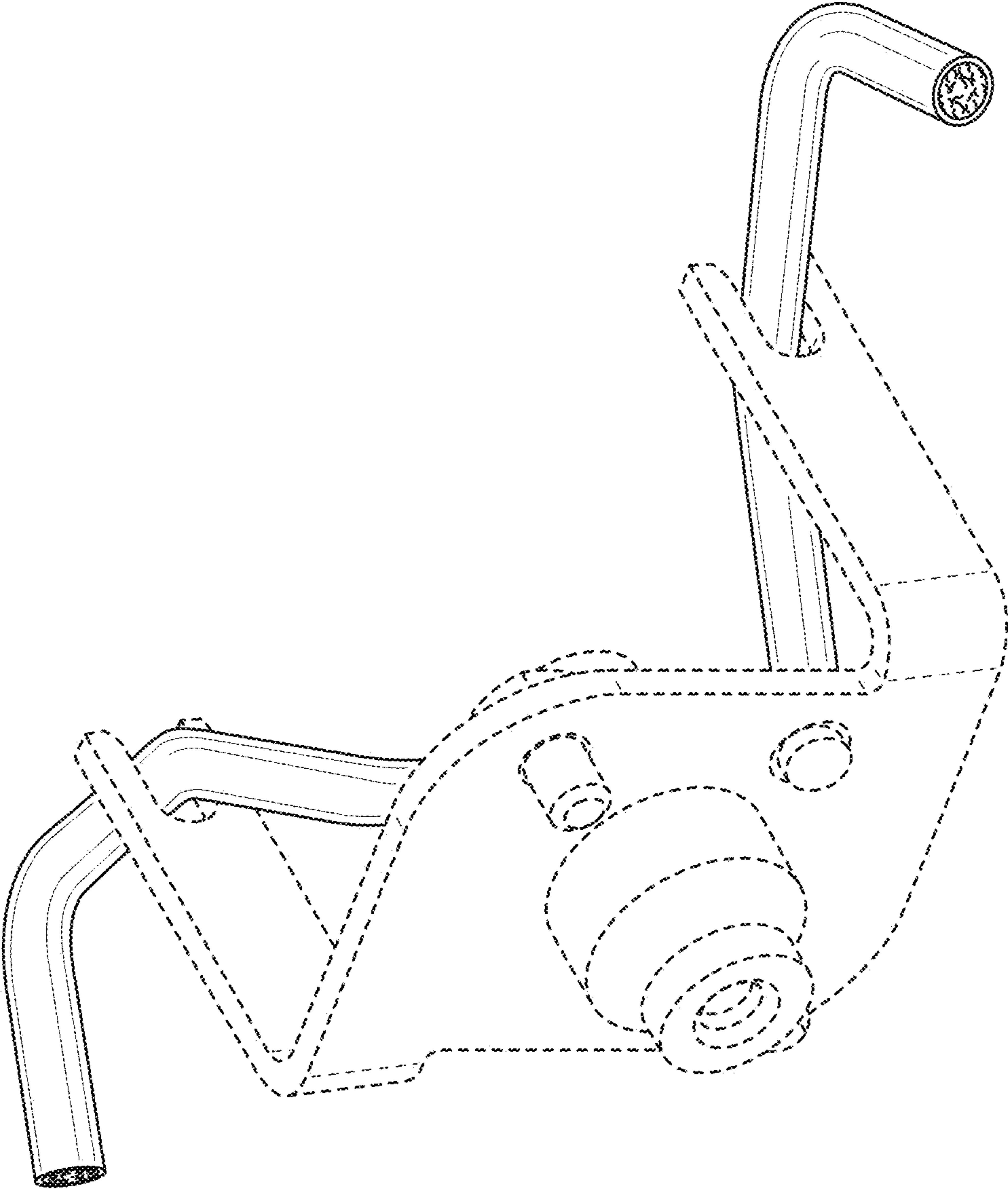


FIG. 7