



US00D921043S

(12) **United States Design Patent**
Tafe

(10) **Patent No.:** **US D921,043 S**

(45) **Date of Patent:** **** Jun. 1, 2021**

- (54) **RADIATOR FOR AUTOMOTIVE APPLICATIONS**
- (71) Applicant: **RESOURCE INTERNATIONAL INC.**, New Castle, DE (US)
- (72) Inventor: **Dan Tafe**, Newark, DE (US)
- (73) Assignee: **RESOURCE INTERNATIONAL INC.**, New Castle, DE (US)
- (**) Term: **15 Years**
- (21) Appl. No.: **29/663,101**
- (22) Filed: **Sep. 12, 2018**
- (51) **LOC (13) Cl.** **15-01**
- (52) **U.S. Cl.**
USPC **D15/5**
- (58) **Field of Classification Search**
USPC D15/5; D12/164-166
CPC ... F28F 9/001; F28F 9/007; F28F 7/00; F28D 1/05366; F28D 1/0435
See application file for complete search history.

- 6,904,958 B2 * 6/2005 Ozaki F28F 9/002
165/173
- 7,500,514 B2 * 3/2009 Heine F01P 11/08
165/140
- D619,511 S * 7/2010 Sullivan D12/166
- D717,218 S * 11/2014 Tafe D12/166
- D717,702 S * 11/2014 McCardle D12/166

(Continued)

OTHER PUBLICATIONS

Found on Mishimoto website [online], [site visited on Apr. 1, 2020]. Available from internet, URL: <<https://www.mishimoto.com/chevrolet-corvette-performance-aluminum-radiator-2005-2013.html>> (Year 2020) (Year: 2020).*

(Continued)

Primary Examiner — Sheryl Lane
Assistant Examiner — Mark T. Philipps
(74) *Attorney, Agent, or Firm* — Condo Roccia Koptiw LLP

(57) **CLAIM**

The ornamental design for a radiator for automotive applications, as shown and described.

DESCRIPTION

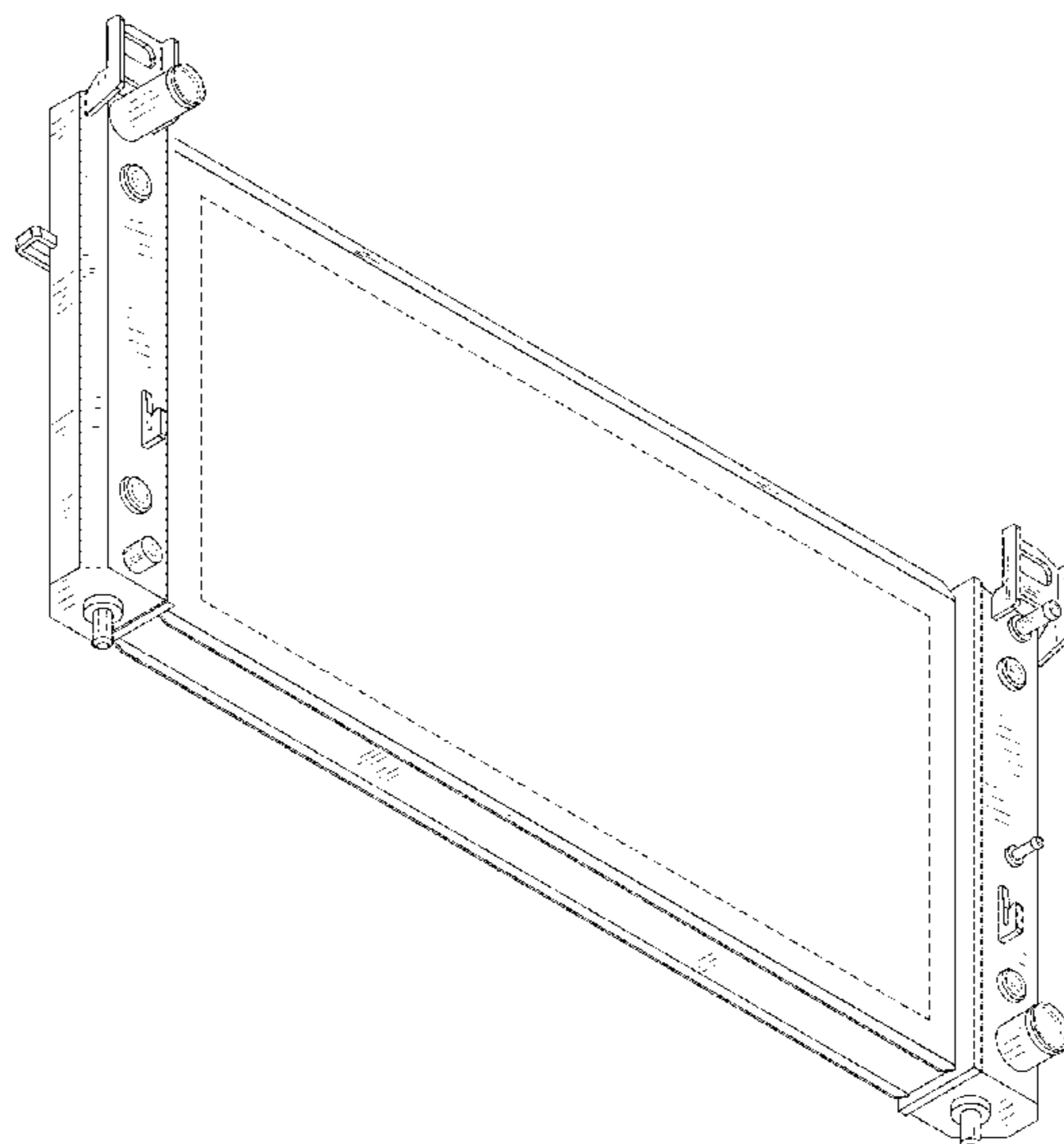
FIG. 1 is a front view of a radiator for automotive applications showing our new design; FIG. 2 is a back view thereof; FIG. 3 is a left view thereof; FIG. 4 is a right view thereof; FIG. 5 is a top view thereof; FIG. 6 is bottom view thereof; and, FIG. 7 is a perspective view thereof. The broken lines in the drawing figures show portions of the radiator for automotive applications which form no part of the claimed design. The shade lines in the figures show contour and not surface ornamentation.

1 Claim, 7 Drawing Sheets

(56) **References Cited**

U.S. PATENT DOCUMENTS

- D263,461 S * 3/1982 Young D12/166
- 5,009,262 A * 4/1991 Halstead B60H 1/3227
165/140
- 5,092,398 A * 3/1992 Nishishita F28F 9/0224
165/153
- 5,183,103 A * 2/1993 Tokutake F28F 9/002
165/67
- 5,186,244 A * 2/1993 Joshi B60H 1/3227
165/135
- 6,158,500 A * 12/2000 Heine B60K 11/04
165/140
- 6,189,603 B1 * 2/2001 Sugimoto F28D 1/0435
165/135
- 6,283,200 B1 * 9/2001 Sugimoto F28D 1/05366
165/173



(56)

References Cited

U.S. PATENT DOCUMENTS

D746,732 S * 1/2016 Pruitt D12/166
 D751,472 S * 3/2016 Pruitt D12/166
 D802,492 S * 11/2017 Pruitt D12/166
 D802,493 S * 11/2017 Pruitt D12/166
 D802,494 S * 11/2017 Pruitt D12/166
 D802,495 S * 11/2017 Pruitt D12/166
 2002/0056541 A1 * 5/2002 Kokubunji B60K 11/04
 165/67
 2005/0061488 A1 * 3/2005 Yu F28D 1/0443
 165/140
 2006/0213640 A1 * 9/2006 Matsuoka B62D 25/084
 165/67
 2011/0277958 A1 * 11/2011 Richardson F28D 1/05383
 165/76
 2014/0360704 A1 * 12/2014 Kim F28F 9/0234
 165/140
 2019/0063305 A1 * 2/2019 Kennedy F28F 9/001

OTHER PUBLICATIONS

Found on Mishimoto website [online], [site visited on Apr. 1, 2020], Available from internet, URL: <<https://www.mishimoto.com/ford-raptor-performance-aluminum-radiator-2010-2014.html>> (Year 2020) (Year: 2020).*

Found on Mishimoto website [online], [site visited on Apr. 1, 2020], Available from internet, URL: <<https://www.mishimoto.com/automotive/aluminum-radiator-performance.html>> (Year 2020) (Year: 2020).*

* cited by examiner

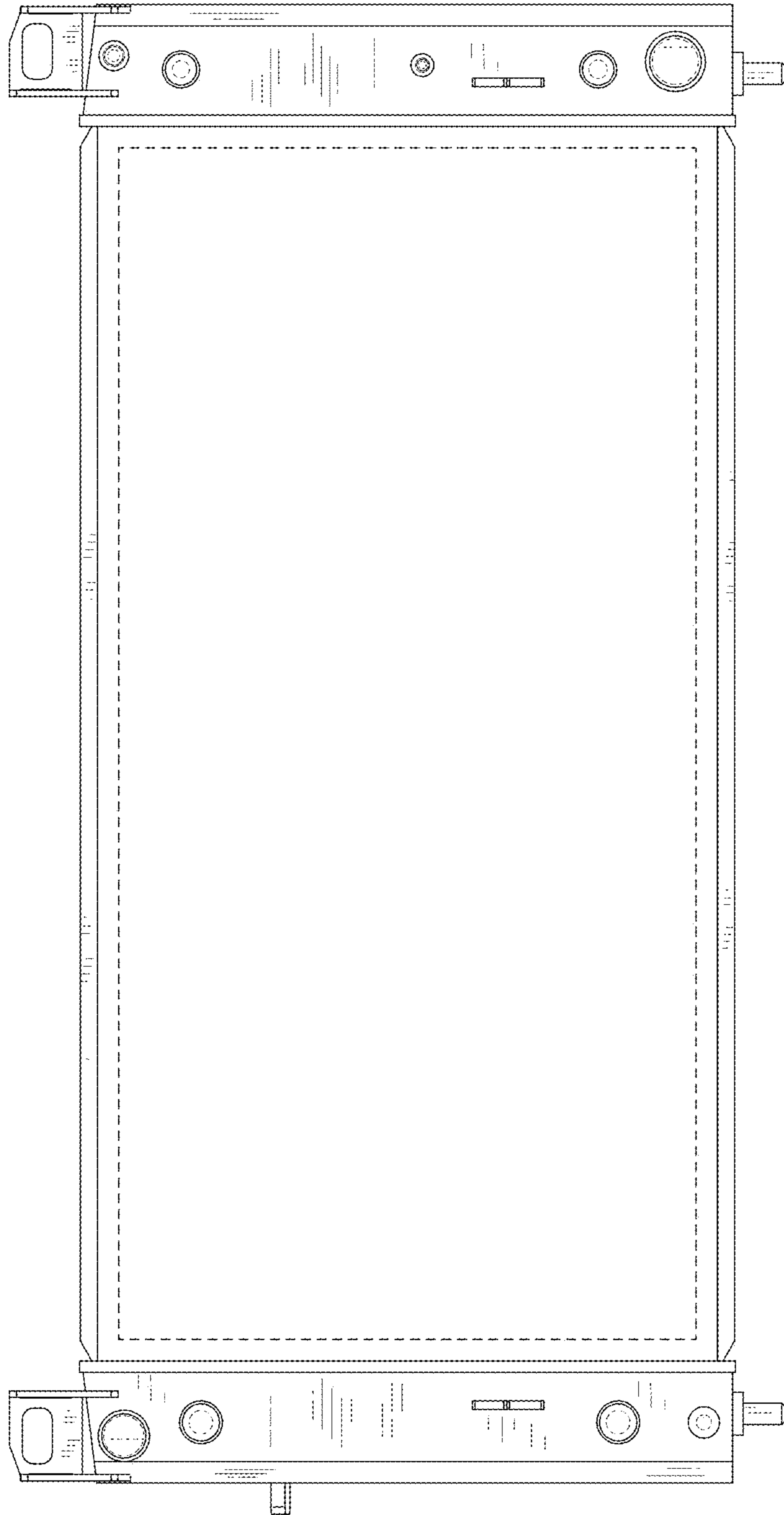


FIGURE 1

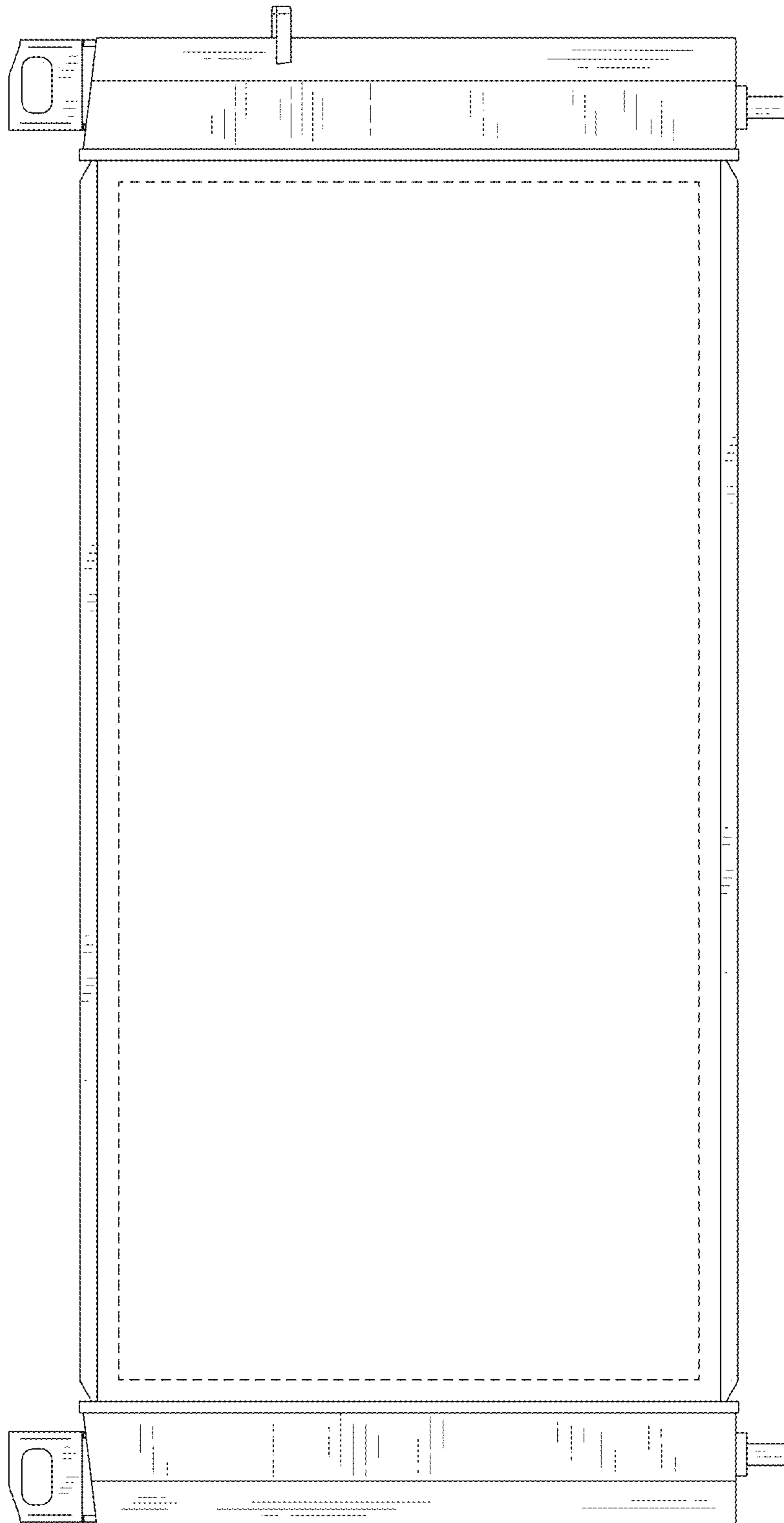


FIGURE 2

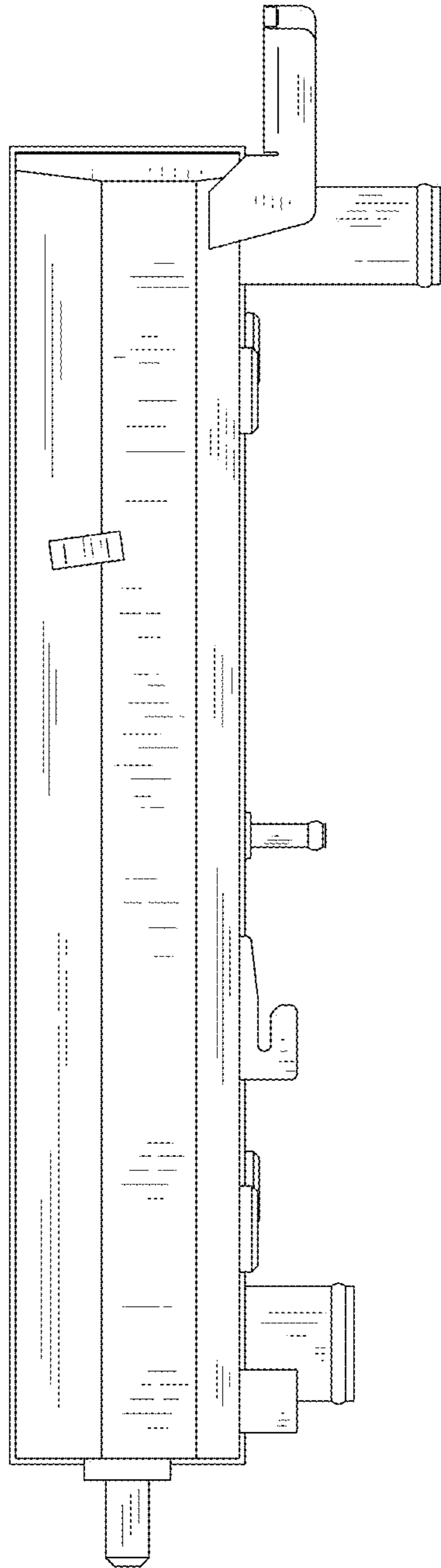


FIGURE 3

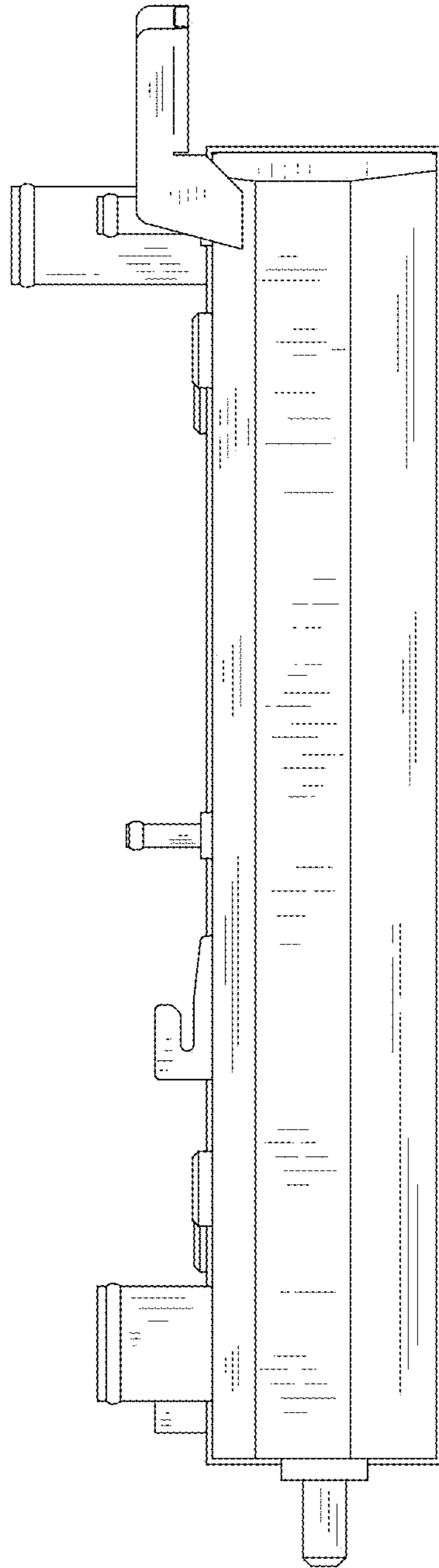


FIGURE 4

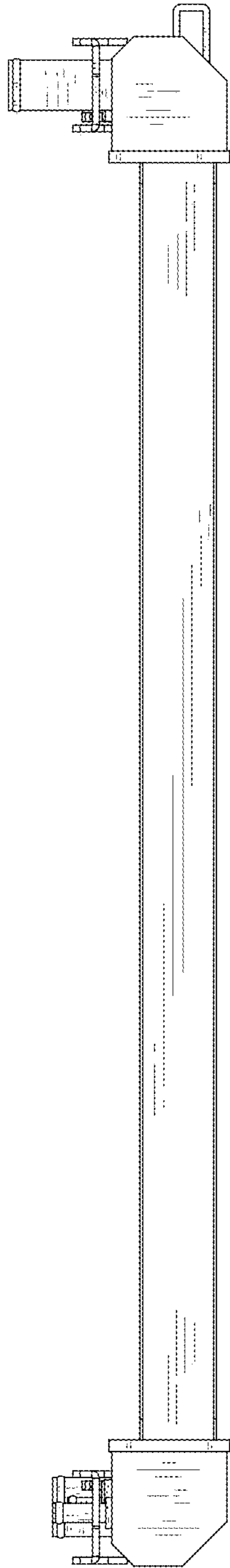


FIGURE 5

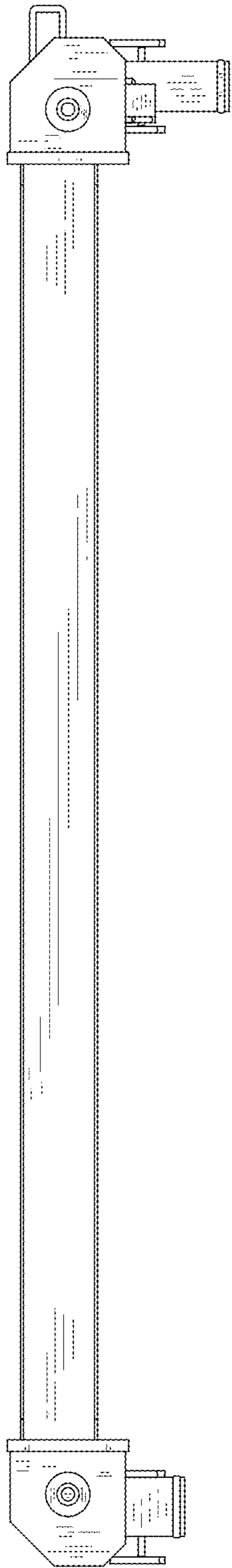


FIGURE 6

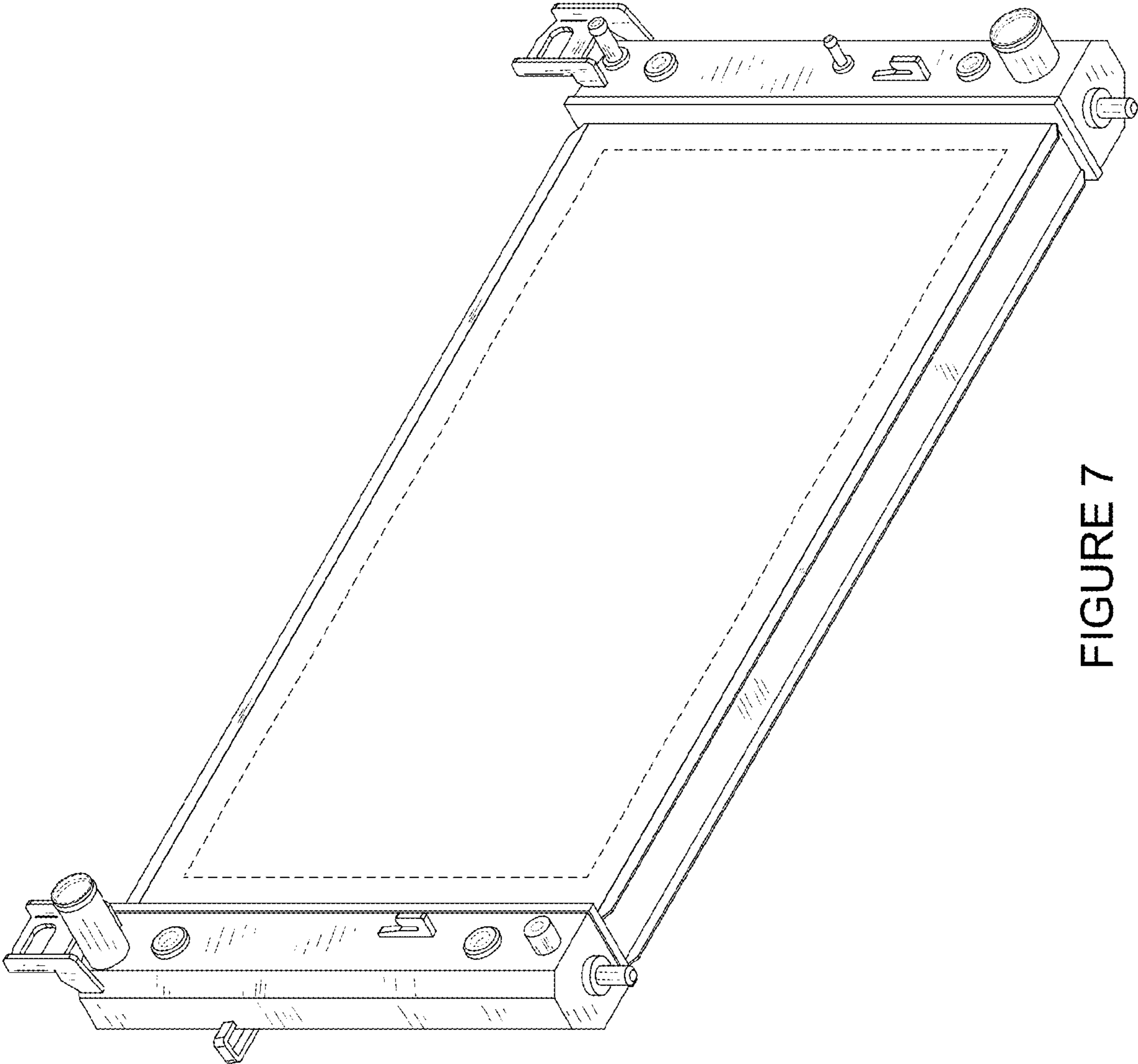


FIGURE 7