



US00D921042S

(12) **United States Design Patent**  
**Shiina et al.**

(10) **Patent No.:** **US D921,042 S**  
(45) **Date of Patent:** **\*\* Jun. 1, 2021**

(54) **OUTBOARD MOTOR**  
(71) Applicant: **TOHATSU CORPORATION**, Tokyo (JP)  
(72) Inventors: **Ryo Shiina**, Tokyo (JP); **Hiroshi Ishikawa**, Tokyo (JP); **Makoto Sato**, Tokyo (JP)  
(73) Assignee: **TOHATSU CORPORATION**, Tokyo (JP)  
(\*\*) Term: **15 Years**  
(21) Appl. No.: **35/508,818**  
(22) Filed: **Mar. 28, 2019**  
(80) **Hague Agreement Data**  
Int. Filing Date: **Mar. 28, 2019**  
Int. Reg. No.: **DM/206382**  
Int. Reg. Date: **Mar. 28, 2019**  
Int. Reg. Pub. Date: **Mar. 13, 2020**

(30) **Foreign Application Priority Data**  
Mar. 13, 2019 (JP) ..... 2019-005240  
(51) **LOC (13) Cl.** ..... **15-01**  
(52) **U.S. Cl.**  
USPC ..... **D15/4**  
CPC ..... **B63H 23/30** (2013.01)  
(58) **Field of Classification Search**  
USPC ..... D15/4, 5  
CPC .. B63H 20/32; B63H 2020/323; B63H 23/30;  
B63H 23/08; B63H 23/22; B63H 5/14;  
B63H 5/15; B63H 21/165; B63H 21/17;  
B63H 21/38; B63H 5/125; B63B 35/68  
See application file for complete search history.

(56) **References Cited**  
U.S. PATENT DOCUMENTS  
D458,938 S \* 6/2002 Burmeister ..... D15/5  
D463,447 S \* 9/2002 Osumi ..... D15/4

6,488,552 B2 \* 12/2002 Kitsu ..... F02B 61/045  
440/77  
D531,639 S \* 11/2006 Okamoto ..... D15/4  
D534,546 S \* 1/2007 Miyaki ..... D15/4  
D536,704 S \* 2/2007 Iekura ..... D15/4  
D537,838 S \* 3/2007 Iekura ..... D15/4  
D568,904 S \* 5/2008 Osumi ..... D15/4  
D589,057 S \* 3/2009 Azuma ..... D15/4  
D589,981 S \* 4/2009 Iekura ..... D15/4  
D611,062 S \* 3/2010 Okamoto ..... D15/4  
D611,063 S \* 3/2010 Okamoto ..... D15/4  
D623,661 S \* 9/2010 Yamagishi ..... D15/4  
D635,586 S \* 4/2011 Okamoto ..... D15/4  
D643,440 S \* 8/2011 Dannenberg ..... D15/4  
D663,321 S \* 7/2012 Okamoto ..... D15/3  
D663,745 S \* 7/2012 Isono ..... D15/4  
D671,145 S \* 11/2012 Fujiwara ..... D15/4  
D692,922 S \* 11/2013 Okamoto ..... D15/4  
8,651,906 B1 \* 2/2014 Morton ..... F02M 35/168  
440/77  
D727,969 S \* 4/2015 Okamoto ..... D15/4  
9,580,947 B1 \* 2/2017 Amerling ..... E05B 73/0076  
D818,501 S \* 5/2018 Isono ..... D15/4  
D834,617 S \* 11/2018 Zin ..... D15/4

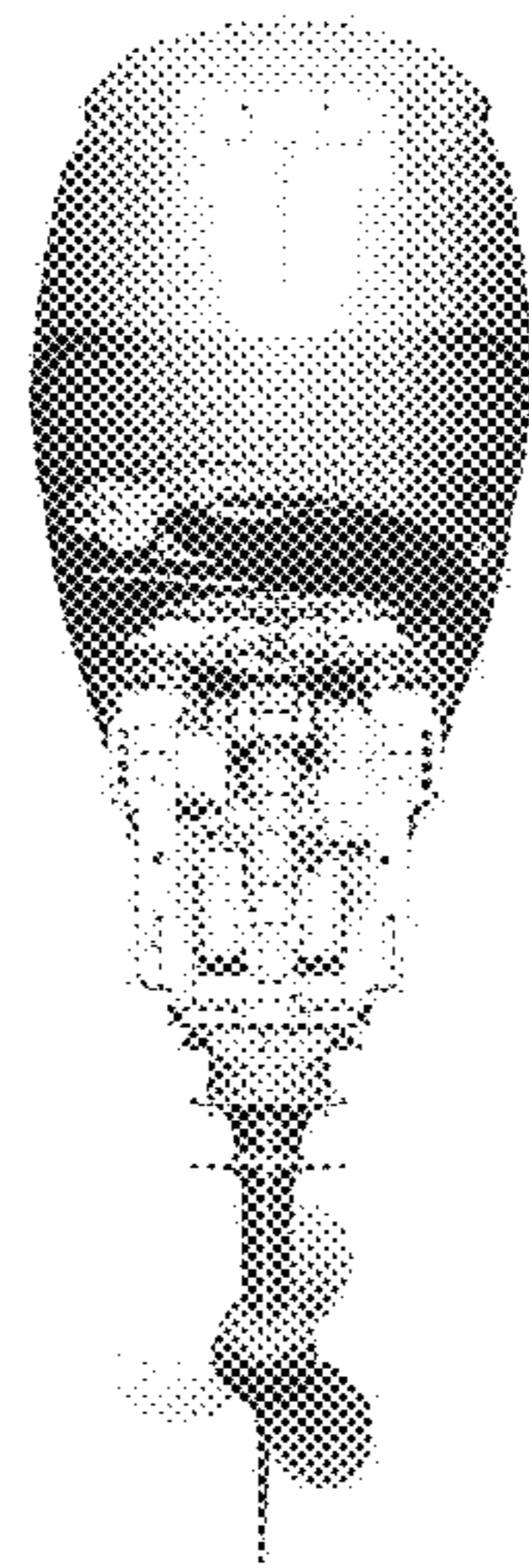
(Continued)

*Primary Examiner* — Richard E Chilcot  
(74) *Attorney, Agent, or Firm* — Pearne & Gordon LLP

(57) **CLAIM**  
The ornamental design for outboard motor, as shown and described.

**DESCRIPTION**  
1. Outboard motor  
1.1 : Front  
1.2 : Back  
1.3 : Right  
1.4 : Left  
1.5 : Top  
1.6 : Bottom  
1.7 : Perspective  
1.8 : Perspective

**1 Claim, 8 Drawing Sheets**



(56)

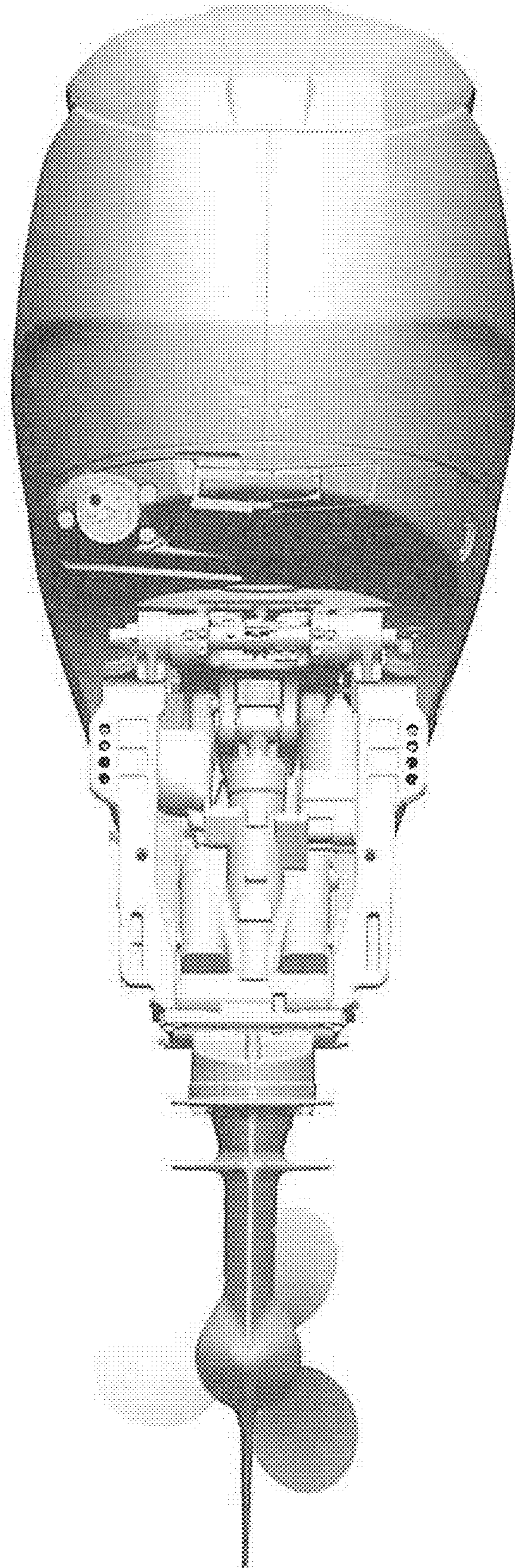
**References Cited**

U.S. PATENT DOCUMENTS

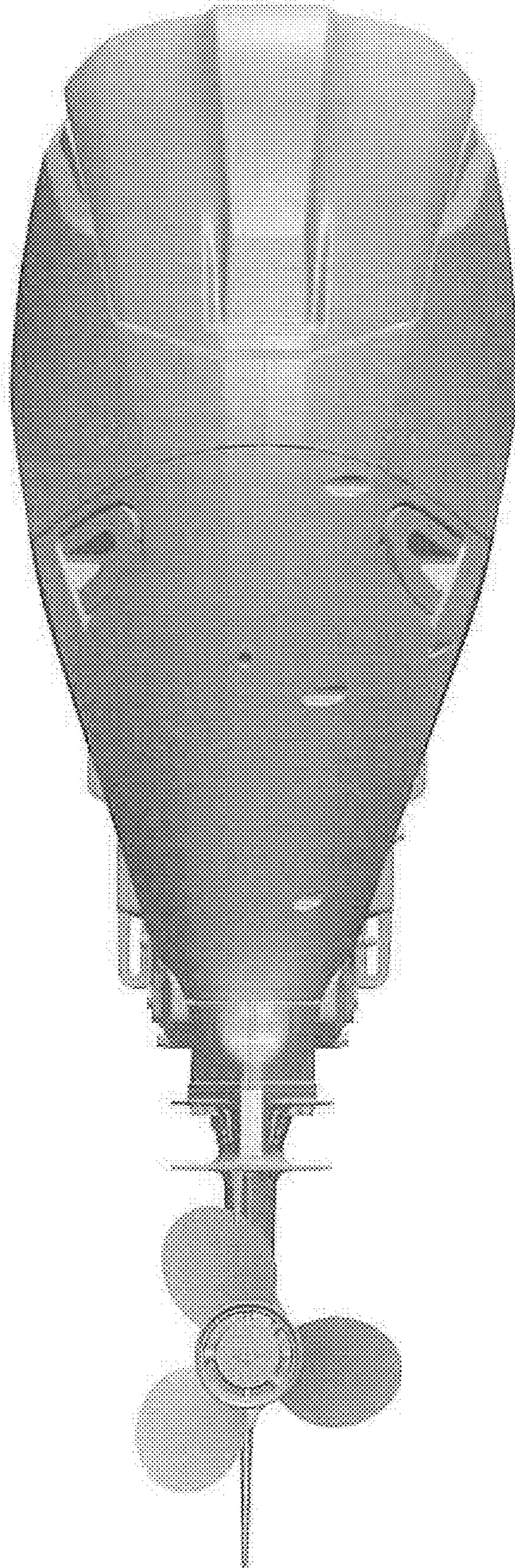
D886,154 S \* 6/2020 Nakaura ..... D15/4  
2015/0090523 A1\* 4/2015 Kinpara ..... F02M 35/1272  
181/229  
2017/0113772 A1\* 4/2017 Kumita ..... B63H 20/32

\* cited by examiner

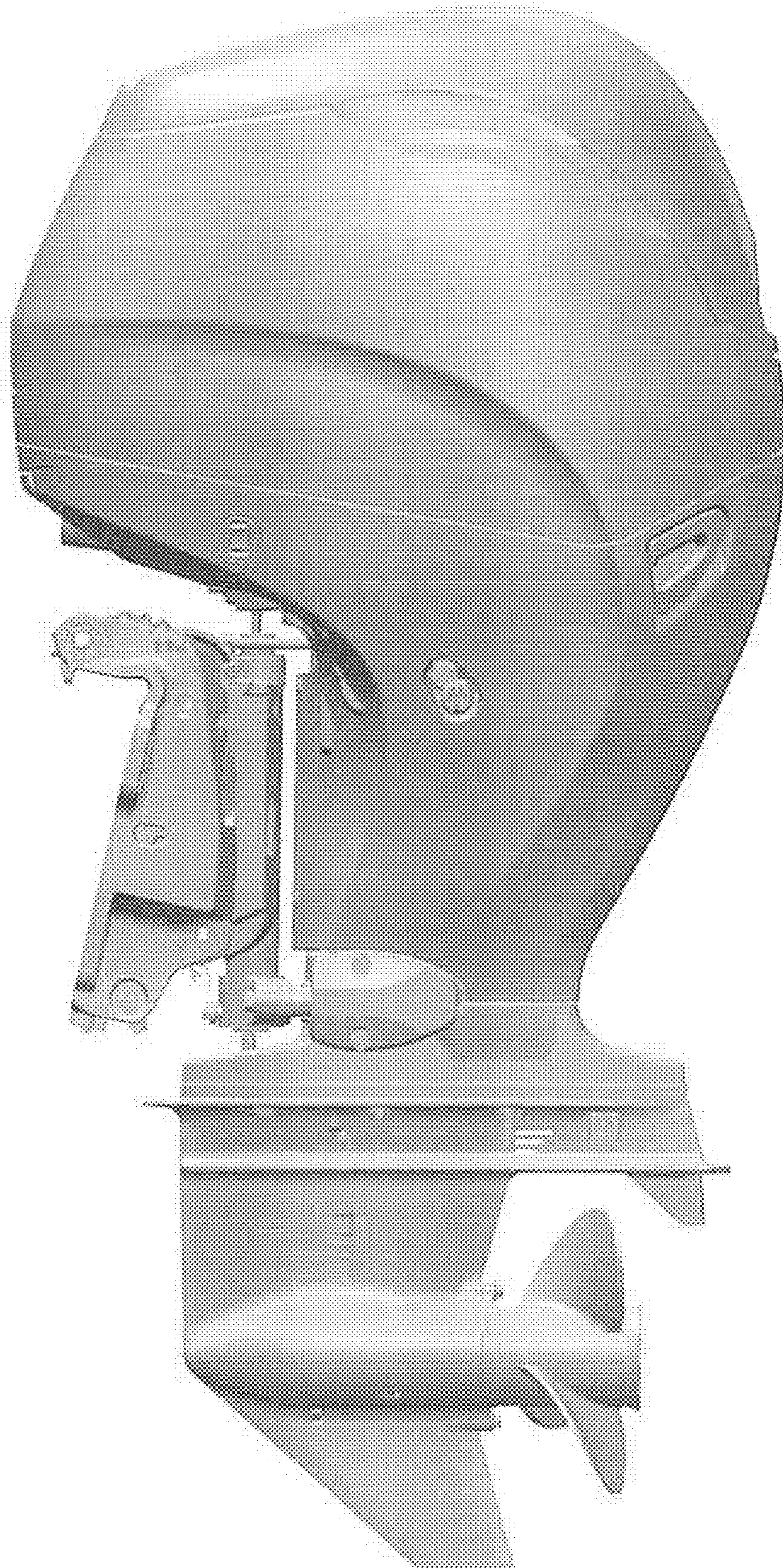
1.1



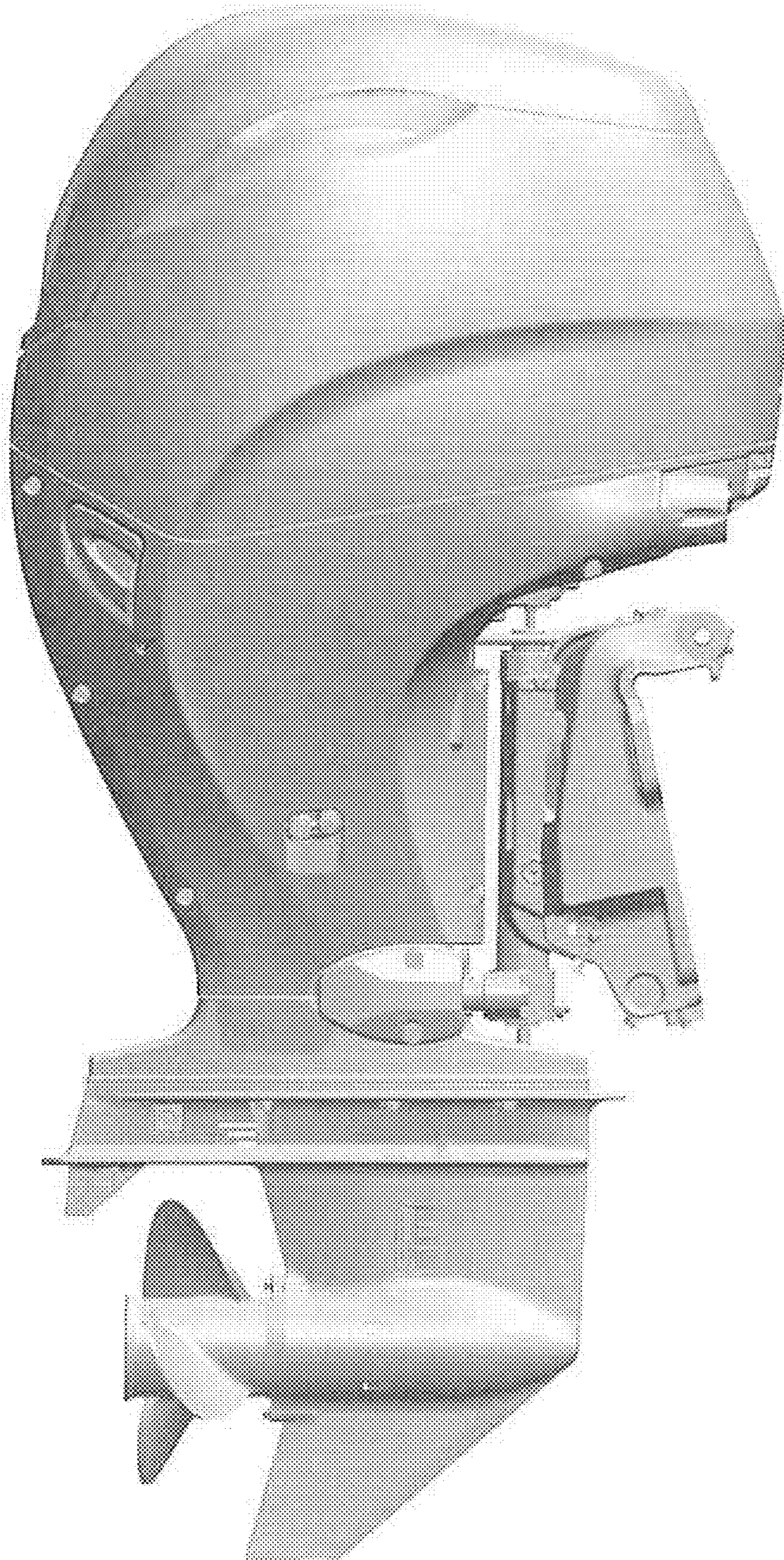
1.2



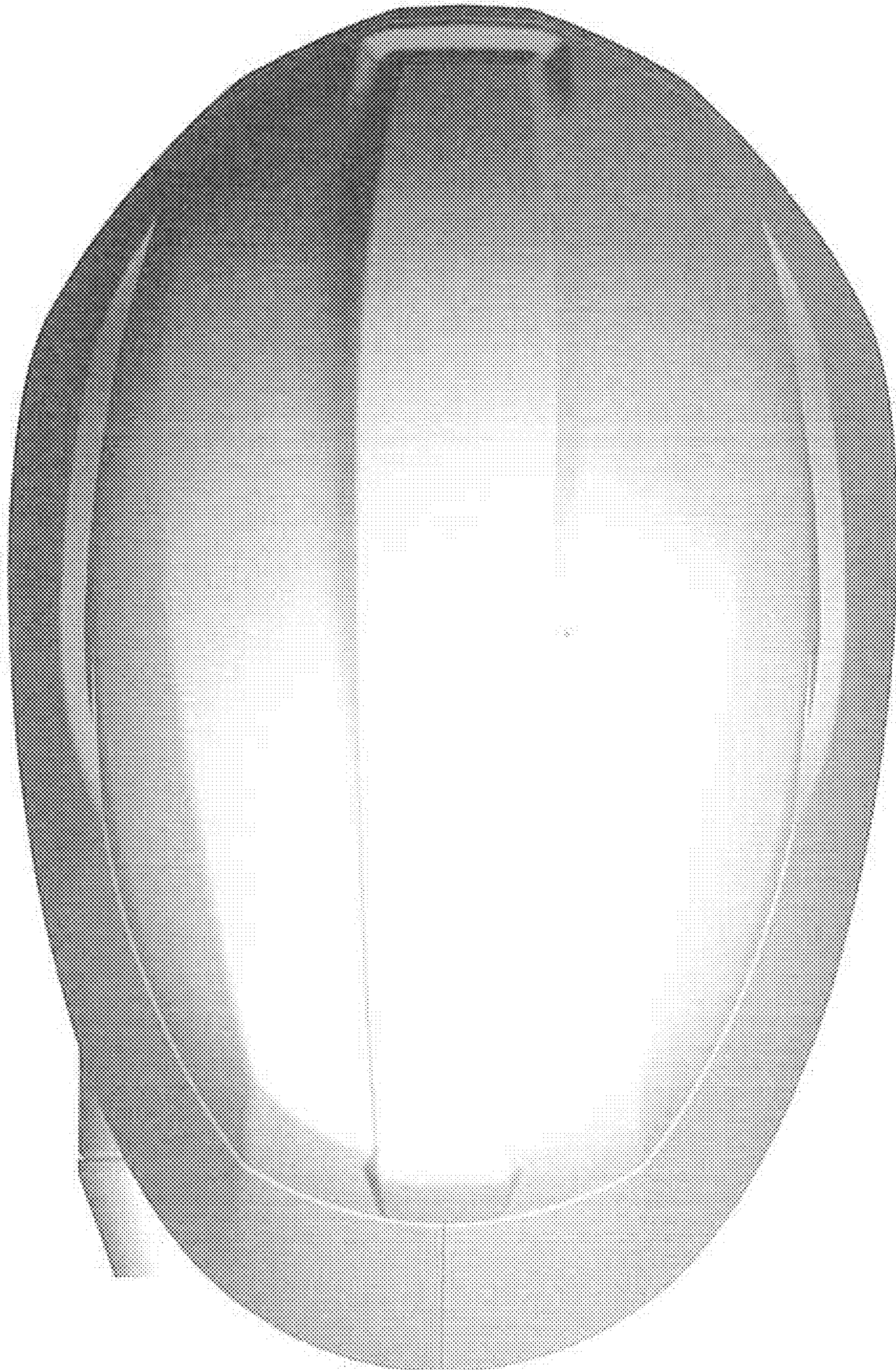
1.3



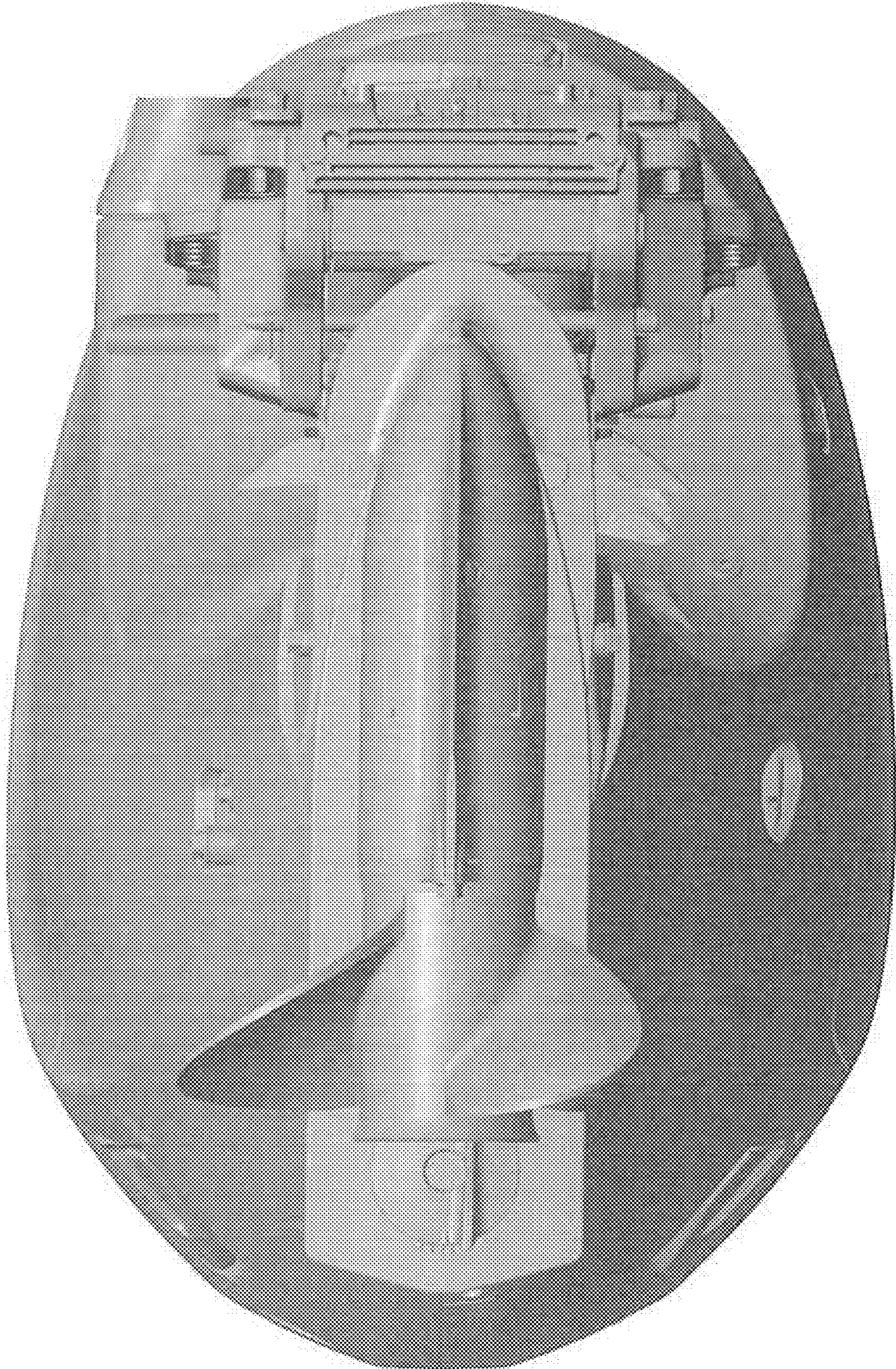
1.4



1.5

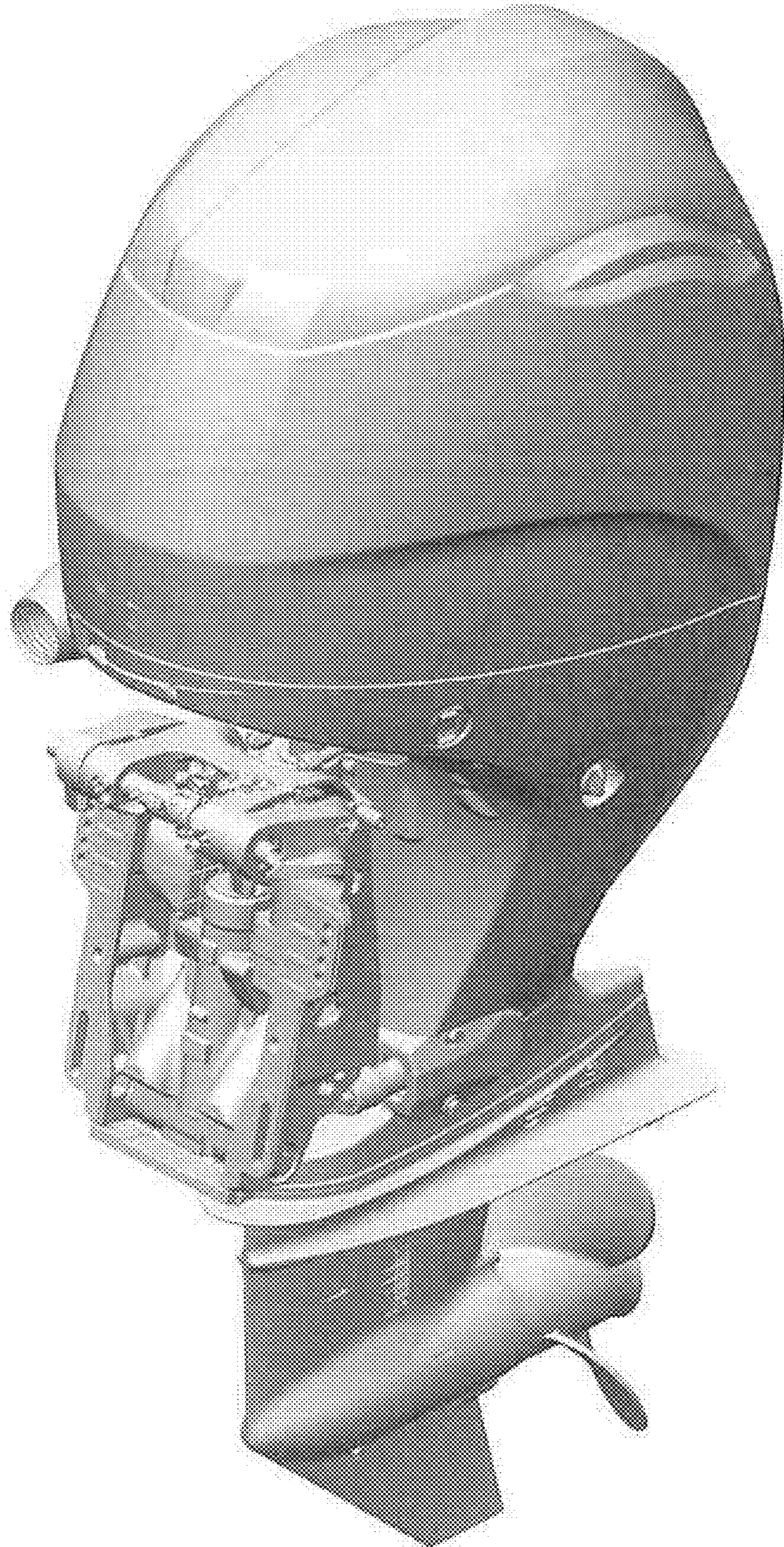


1.6





1.7



1.8

