



US00D921034S

(12) **United States Design Patent** (10) **Patent No.:** **US D921,034 S**
Varga et al. (45) **Date of Patent:** **** Jun. 1, 2021**

(54) **DISPLAY SCREEN WITH A GRAPHICAL USER INTERFACE**
(71) Applicant: **Vyaire Medical, Inc.**, Yorba Linda, CA (US)
(72) Inventors: **Christopher M. Varga**, Laguna Hills, CA (US); **Terry Blansfield**, Orange, CA (US)
(73) Assignee: **Vyaire Medical, Inc.**, Mettawa, IL (US)
(**) Term: **15 Years**
(21) Appl. No.: **29/686,370**
(22) Filed: **Apr. 3, 2019**
(51) **LOC (13) Cl.** **14-04**
(52) **U.S. Cl.**
USPC **D14/489**
(58) **Field of Classification Search**
USPC D14/485-495
CPC G06F 3/048; G06F 3/0481; G06F 3/04812; G06F 3/04815; G06F 3/04817; G06F 3/0482; G06F 3/0483; G06F 3/0484; G06F 3/044
See application file for complete search history.

D690,312 S * 9/2013 Cherian D14/486
D693,364 S * 11/2013 Gardner D14/489
D706,824 S * 6/2014 Smith D14/489
D739,432 S * 9/2015 Mahaffey D14/489
D747,345 S * 1/2016 Nakao D14/489
D774,519 S * 12/2016 Yuk D14/485
D794,676 S * 8/2017 Daniel D14/491
D819,664 S * 6/2018 Hashimoto D14/485
D824,420 S * 7/2018 Dellinger D14/489
D832,289 S * 10/2018 Chen D14/486
D845,339 S * 4/2019 Wu D14/489
D849,049 S * 5/2019 Niven D14/489
D875,129 S * 2/2020 Bamba D14/488
D878,418 S * 3/2020 Kano D14/493
D883,326 S * 5/2020 Wu D14/489
2008/0004674 A1 * 1/2008 King G16H 40/63 607/46
2008/0107890 A1 * 5/2008 Bureau B29C 70/64 428/323
2011/0252370 A1 * 10/2011 Chaudhri G06F 3/04817 715/830

(Continued)

Primary Examiner — Bao-Yen T Nguyen
(74) *Attorney, Agent, or Firm* — Morgan, Lewis & Bockius LLP

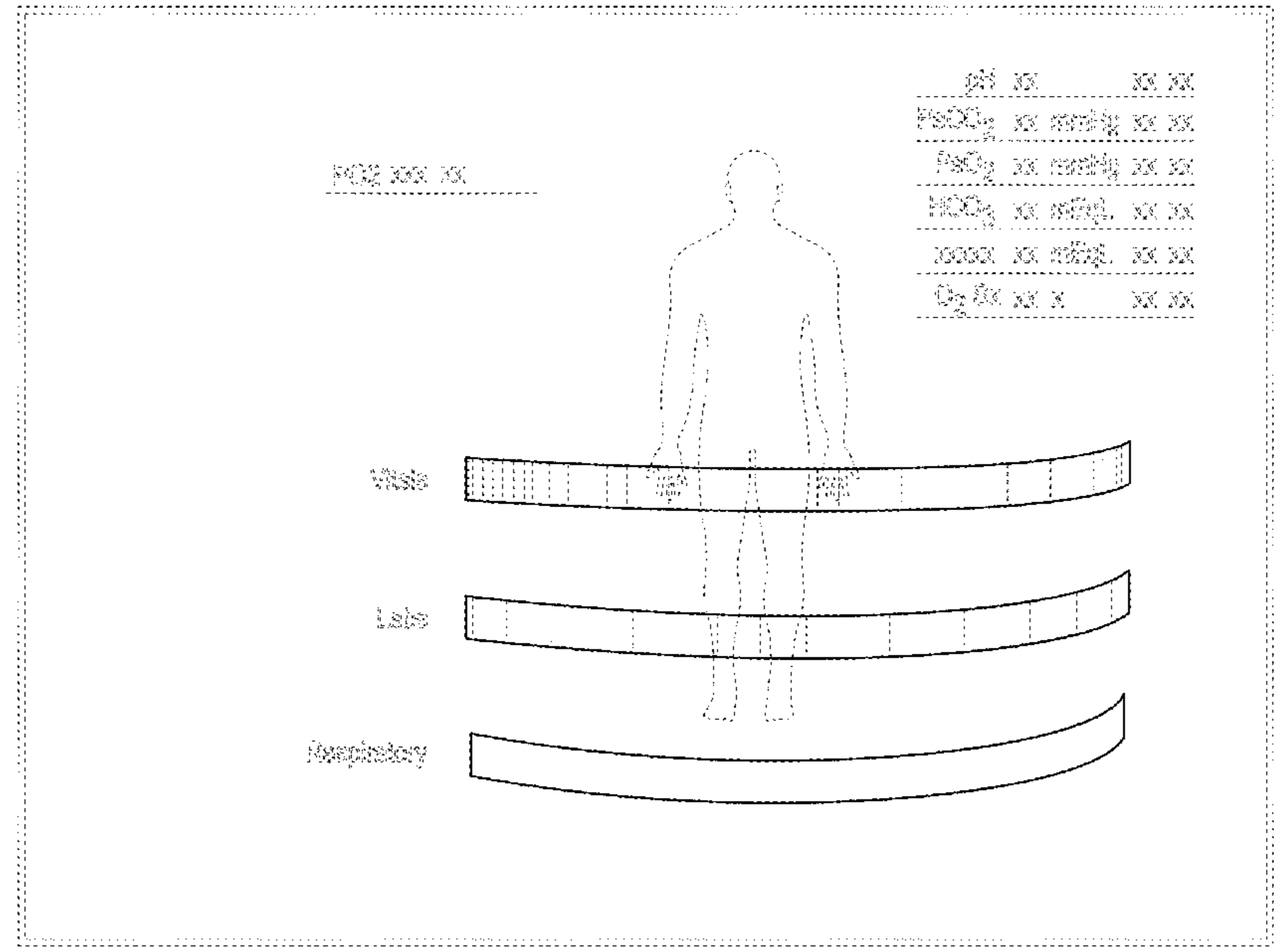
(57) **CLAIM**
The ornamental design for a display screen with a graphical user interface, as shown and described.

DESCRIPTION

FIG. 1 is a front view of a first embodiment of a display screen with a graphical user interface showing our new design; and, FIG. 2 is a front view of a second embodiment thereof. The broken lines illustrate the display screen and form no part of the claimed design. The broken lines illustrate portions of the graphical user interface and form no part of the claimed design.

1 Claim, 2 Drawing Sheets

(56) **References Cited**
U.S. PATENT DOCUMENTS
5,809,449 A * 9/1998 Harper G01R 31/3648 702/63
6,907,575 B2 * 6/2005 Duarte G06F 3/0485 715/767
8,127,245 B2 * 2/2012 Riss G06F 3/04815 715/782
D670,310 S * 11/2012 Saito D14/489
D684,992 S * 6/2013 Wenz D14/488
D687,850 S * 8/2013 Rhee D14/486



(56)

References Cited

U.S. PATENT DOCUMENTS

2011/0307032 A1* 12/2011 Goetz G06F 19/3481
607/59

* cited by examiner

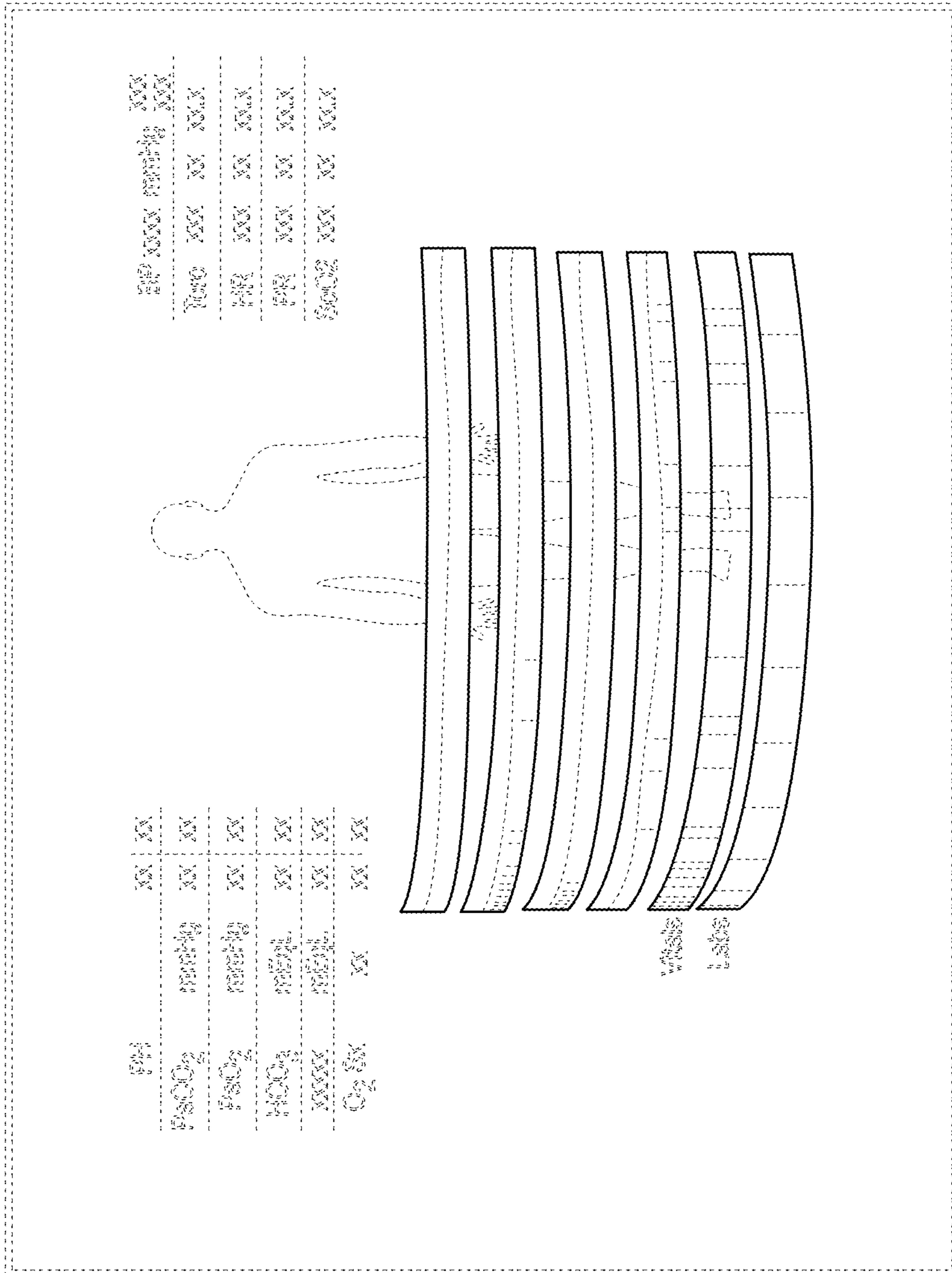


FIGURE 2