



US00D920988S

(12) **United States Design Patent**
Shu

(10) **Patent No.:** **US D920,988 S**
(45) **Date of Patent:** **** Jun. 1, 2021**

(54) **DISPLAY MOUNT**

(71) Applicant: **SHENZHEN OUMAIGAO TECHNOLOGY CO., LTD.**, Shenzhen (CN)

(72) Inventor: **Hua Shu**, Shenzhen (CN)

(73) Assignee: **SHENZHEN OUMAIGAO TECHNOLOGY CO., LTD.**, Shenzhen (CN)

(**) Term: **15 Years**

(21) Appl. No.: **29/745,810**

(22) Filed: **Aug. 10, 2020**

(51) **LOC (13) Cl.** **14-02**

(52) **U.S. Cl.**
USPC **D14/452**

(58) **Field of Classification Search**
USPC D14/447-452, 239, 371, 372, 373, 374, D14/125, 127, 128, 129, 335-337, 375, D14/376, 377, 341, 126; D8/355, 363, D8/373; D6/672, 682
CPC F16M 11/2085; F16M 11/2092; F16M 11/2007; F16M 11/2014; F16M 11/2021; F16M 11/105; F16M 11/10; F16M 11/048; F16M 11/12; F16M 13/022
See application file for complete search history.

(56) **References Cited**

U.S. PATENT DOCUMENTS

- 7,694,927 B2 * 4/2010 Chuang F16M 11/041 248/276.1
- D679,282 S * 4/2013 Liu D14/452
- D740,830 S * 10/2015 Chu D14/452
- 9,746,128 B2 * 8/2017 Huang F16M 11/22
- D798,848 S * 10/2017 Frank D14/239
- 9,797,544 B1 * 10/2017 Smed F16M 11/2085
- D847,823 S * 5/2019 Monsalve D14/452
- 10,323,791 B1 * 6/2019 Liu F16B 2/065

- D855,349 S * 8/2019 Chen D6/553
- D871,380 S 12/2019 Fehr
- D872,067 S 1/2020 Knapp
- 2008/0164395 A1 * 7/2008 Chang F16M 11/105 248/276.1

(Continued)

FOREIGN PATENT DOCUMENTS

- CN 302937459 * 9/2014
- CN 305440142 * 11/2019
- EM 003400050-0001 * 10/2016

OTHER PUBLICATIONS

Amazon. Link: https://www.amazon.com/dp/B08CXNR4QY/ref=cm_sw_em_r_mt_dp_D3V9FbQXQ55E1?_encoding=UTF8&psc=1. Jul. 14, 2020. NB North Bayou Monitor Desk Mount. (Year: 2020).*

(Continued)

Primary Examiner — Lauren D McVey

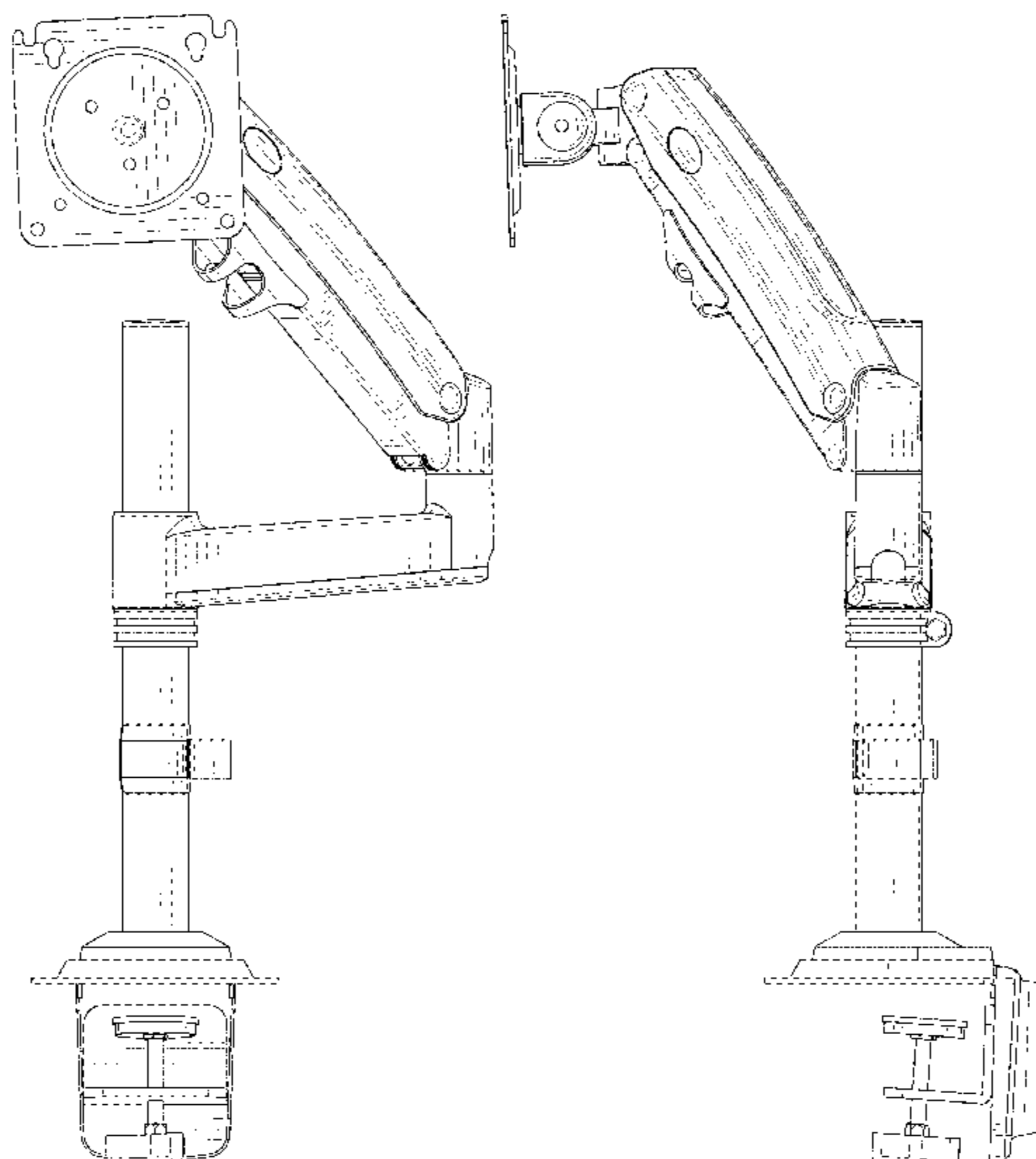
(57) **CLAIM**

The ornamental design for a display mount, as shown and described.

DESCRIPTION

FIG. 1 is a perspective view of a display mount showing my new design;
FIG. 2 is another perspective view thereof;
FIG. 3 is a front elevational view thereof;
FIG. 4 is a rear elevational view thereof;
FIG. 5 is a left side elevational view thereof;
FIG. 6 is a right side elevational view thereof;
FIG. 7 is a top plan view thereof;
FIG. 8 is a bottom plan view thereof; and,
FIG. 9 is a perspective view of the display mount in an environment of use.
The broken lines in the drawings depict portions of the display mount that form no part of the claimed design.

1 Claim, 9 Drawing Sheets



(56)

References Cited

U.S. PATENT DOCUMENTS

2010/0327129 A1* 12/2010 Chen F16M 11/2092
248/121
2014/0117182 A1* 5/2014 Blackburn F16M 11/18
248/298.1
2019/0301670 A1* 10/2019 Glickstein F16M 13/02

OTHER PUBLICATIONS

Amazon. Link: https://www.amazon.com/Monitor-Adjustable-Articulating-Mounting-Monitors/dp/B08MPK1F53/ref=psdc_490624011_t1_B085Y3XT5Z. Jun. 19, 2020. ErGear Single Monitor Desk Mount Stand. (Year: 2020).*

Amazon. Link: https://www.amazon.com/dp/B08CXQDS8M/ref=cm_sw_em_r_mt_dp_rYV9Fb9QQ7Y35?_encoding=UTF8&psc=1. Jul. 14, 2020. NB North Bayou Dual Monitor Desk Mount. (Year: 2020).*

* cited by examiner

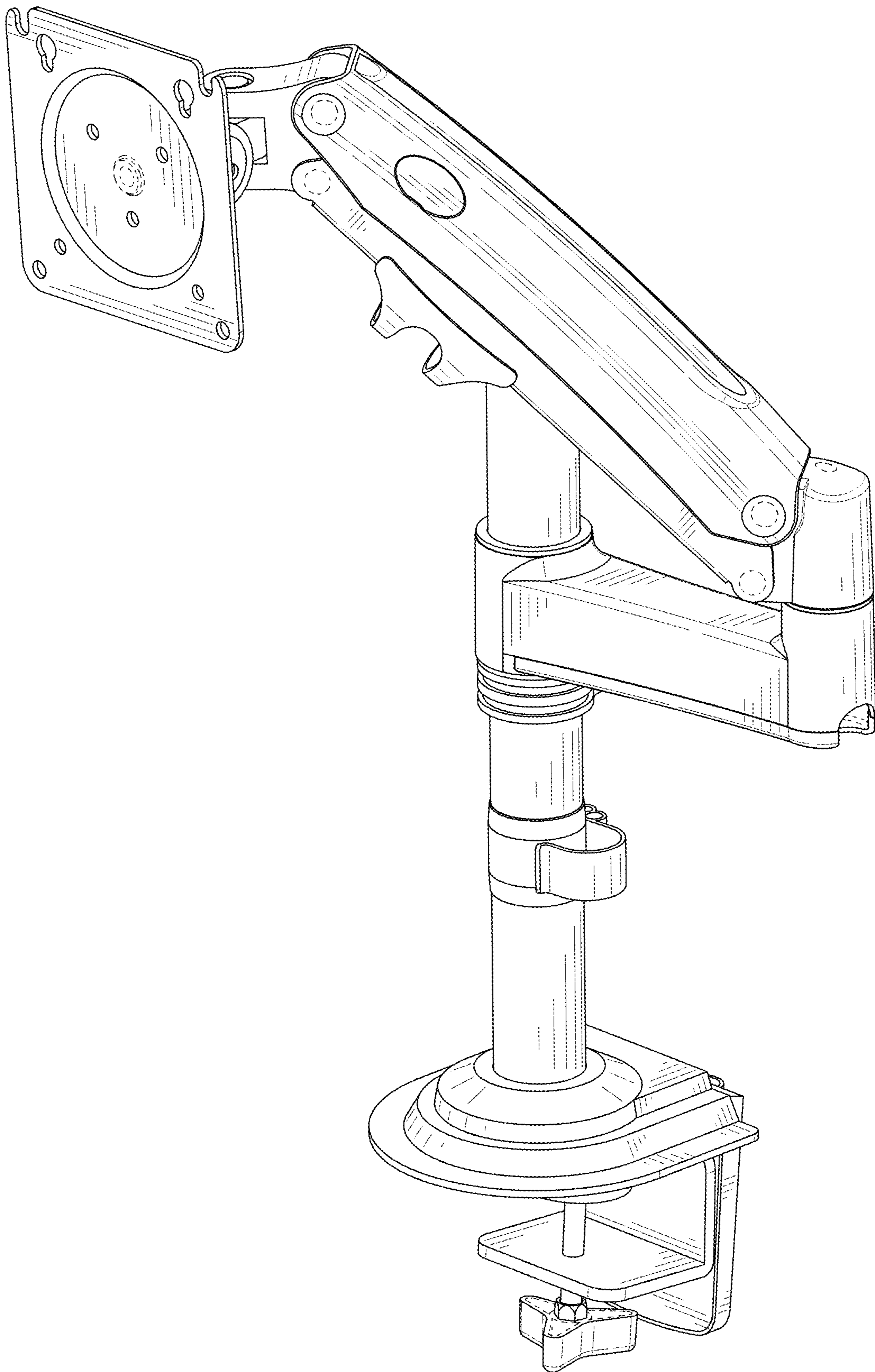


FIG. 1

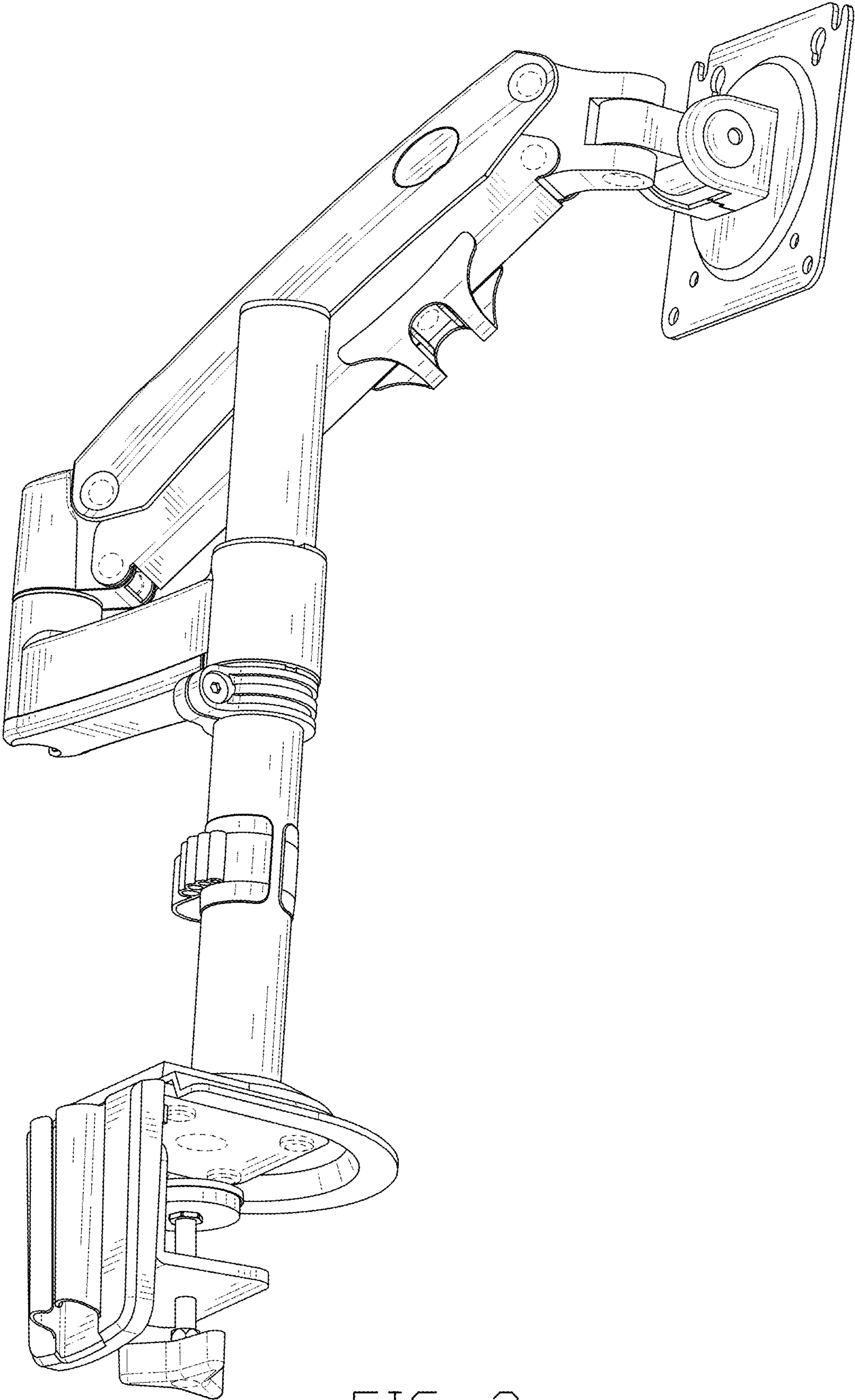


FIG. 2

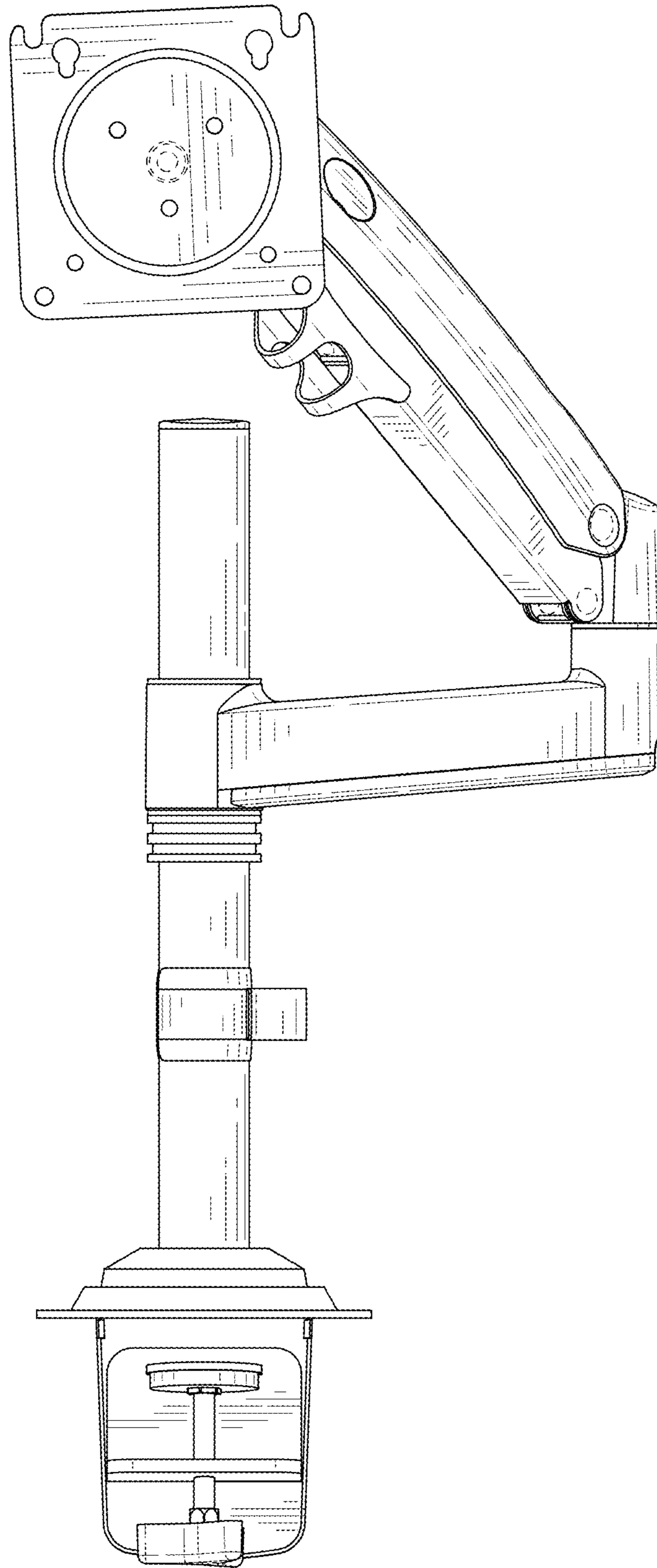


FIG. 3

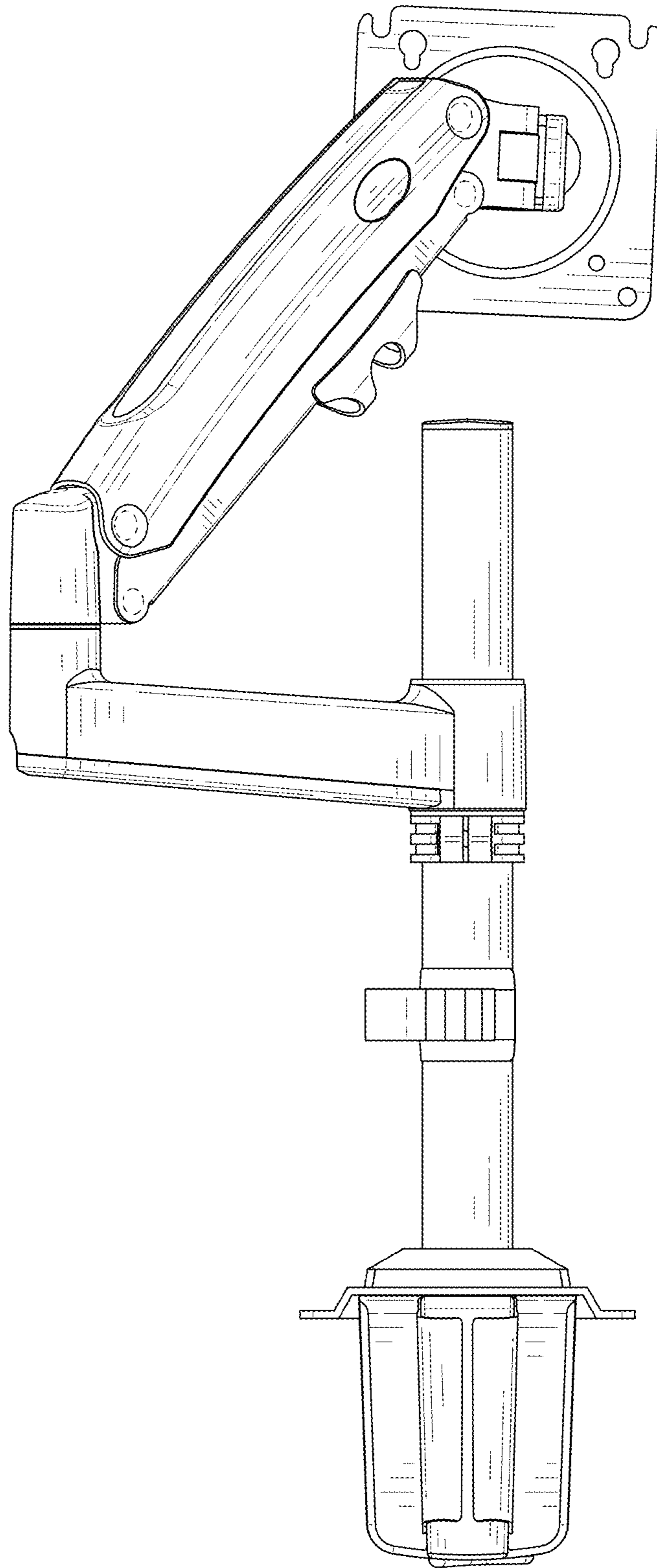


FIG. 4

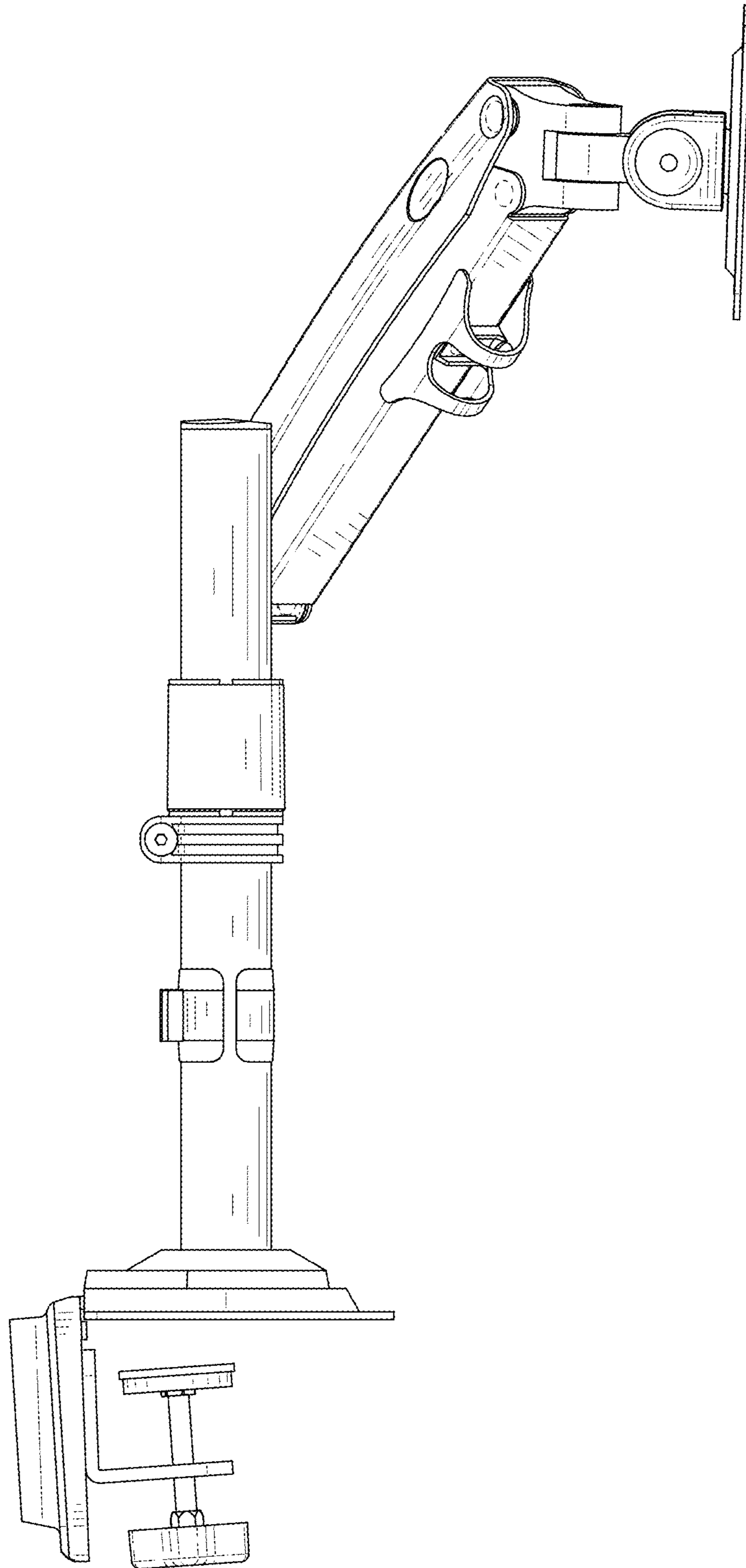


FIG. 5

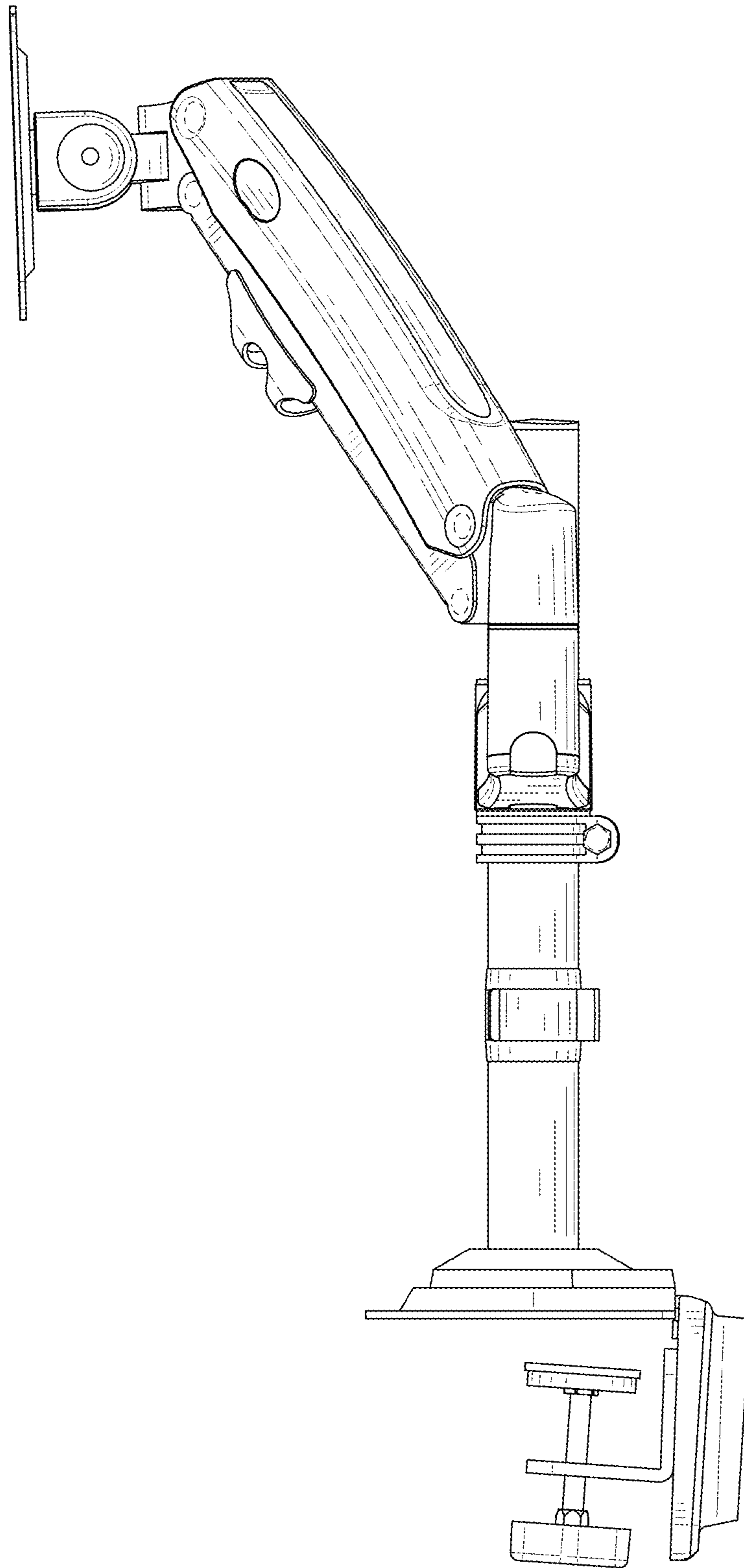


FIG. 6

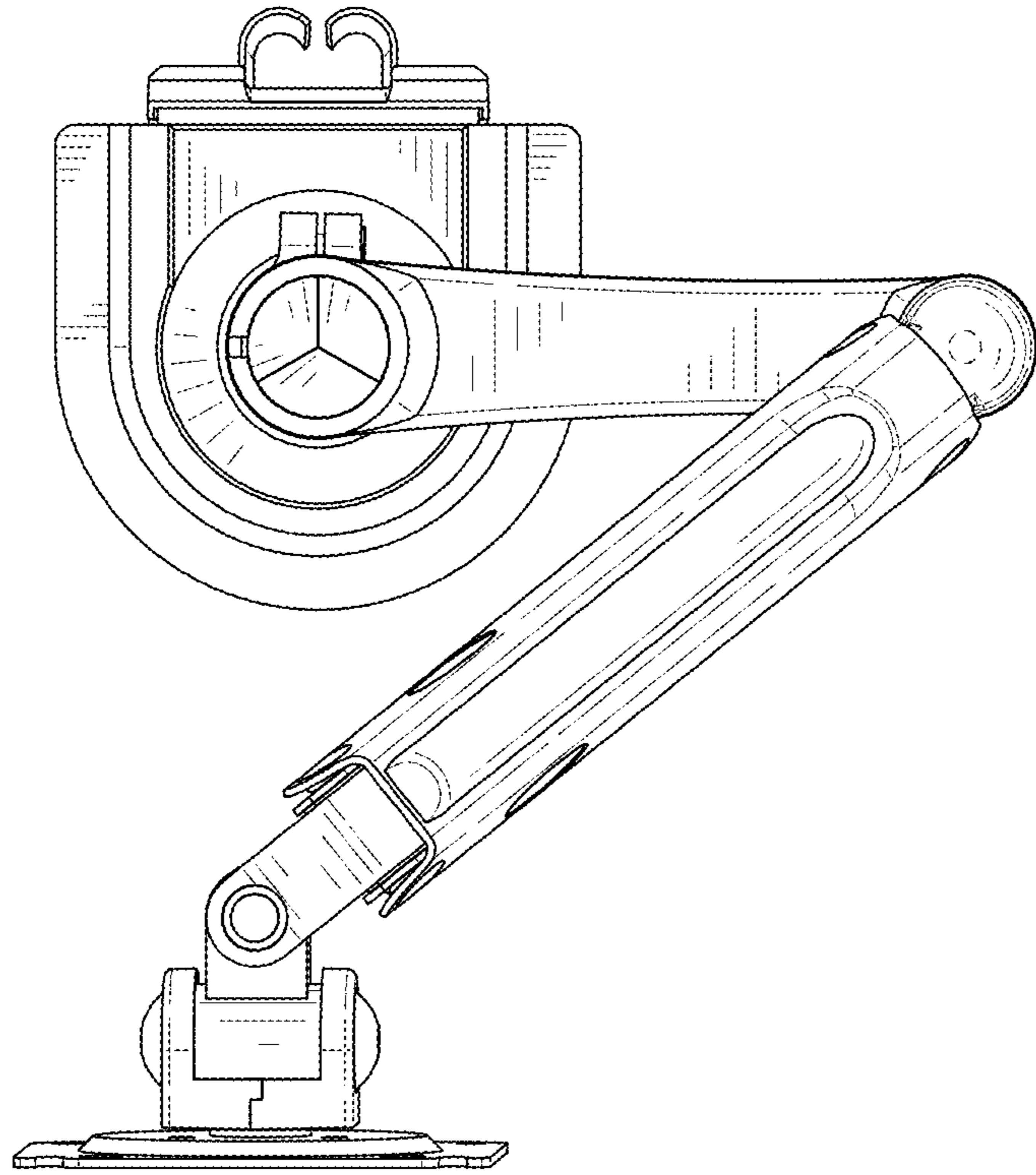


FIG. 7

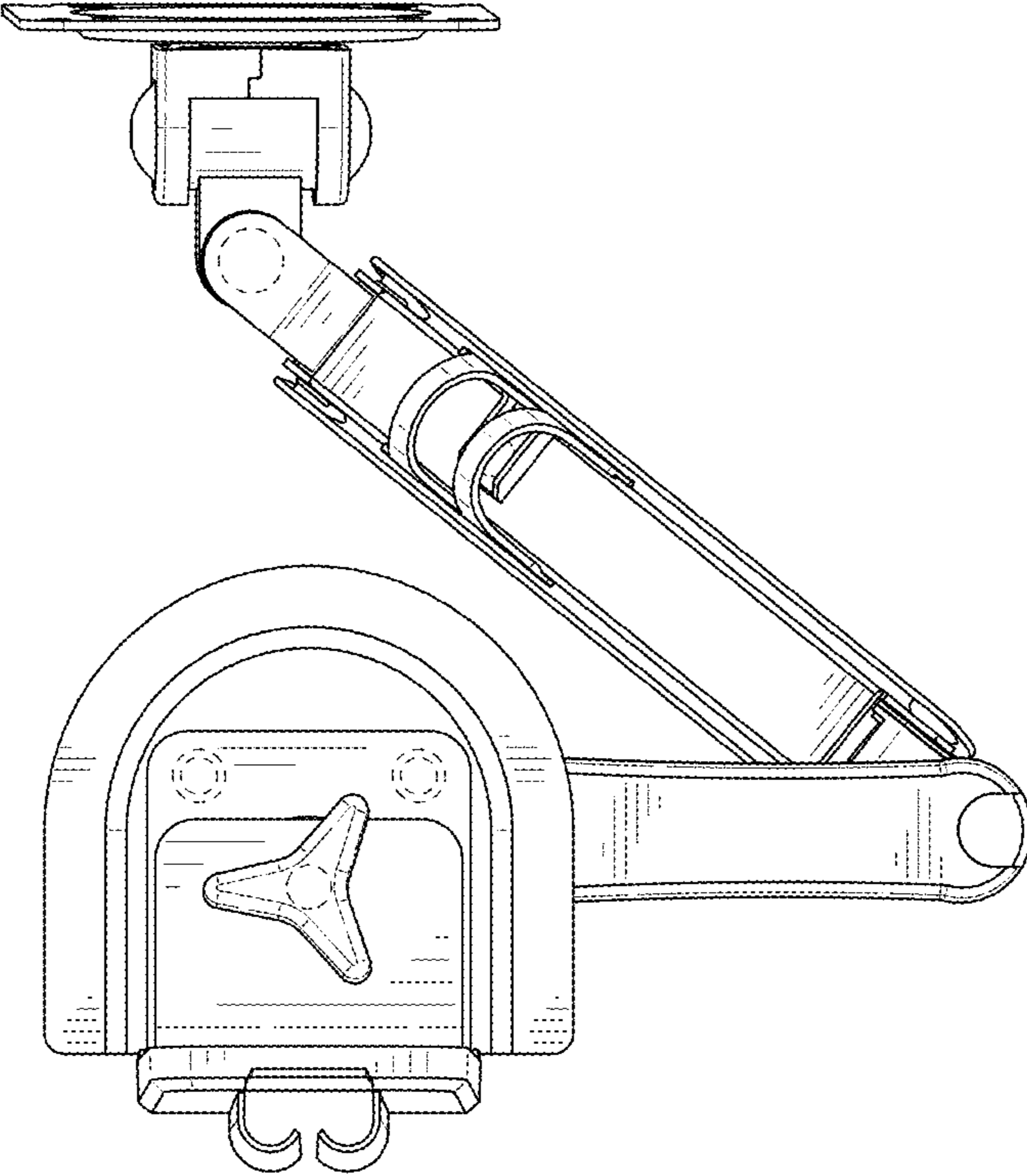


FIG. 8

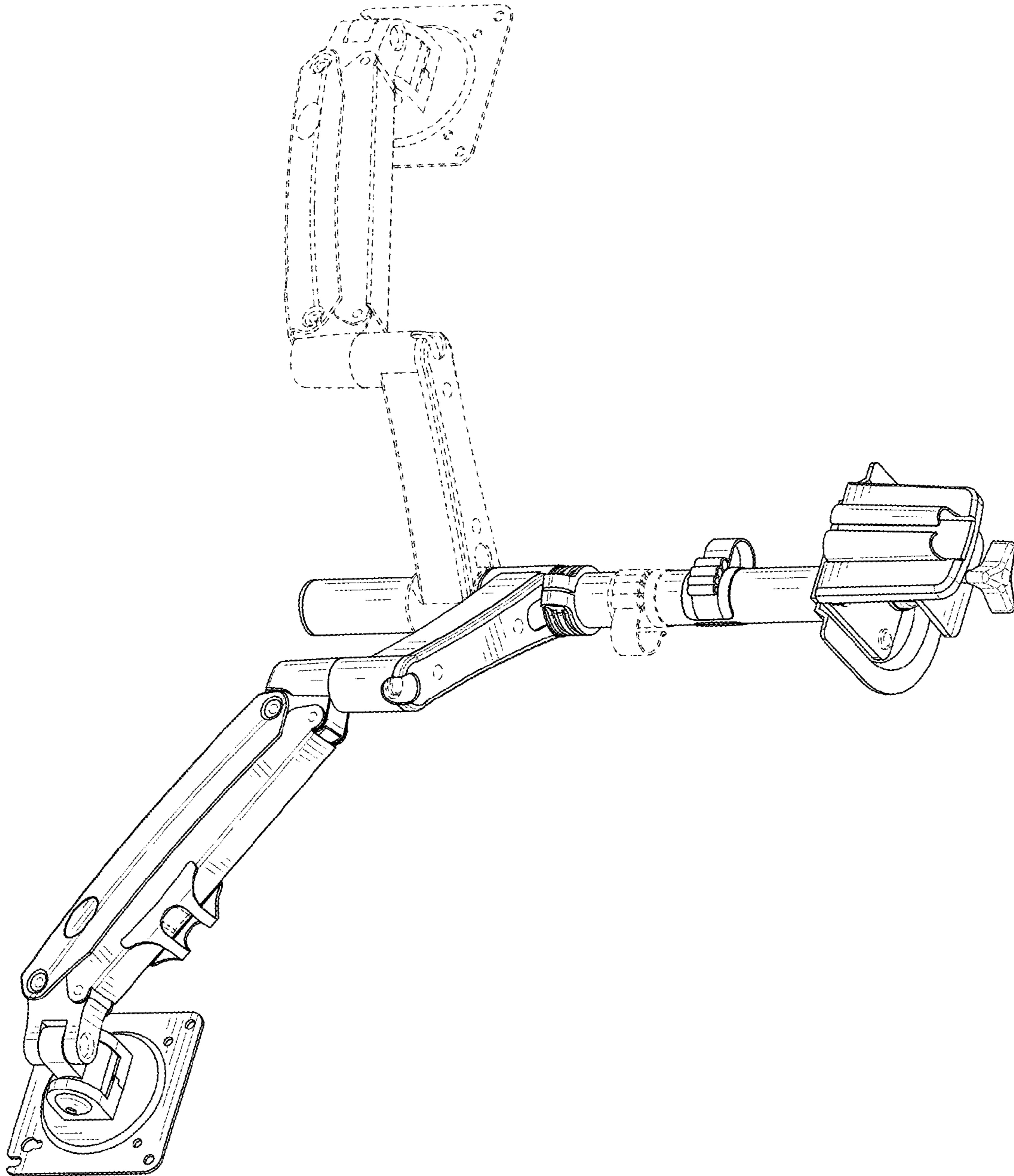


FIG. 9