



US00D920987S

(12) **United States Design Patent** (10) **Patent No.:** **US D920,987 S**  
**Lyu** (45) **Date of Patent:** **\*\* Jun. 1, 2021**

(54) **MONITOR STAND**

(71) Applicant: **Yaqi Lyu**, Shenzhen (CN)

(72) Inventor: **Yaqi Lyu**, Shenzhen (CN)

(\*\*) Term: **15 Years**

(21) Appl. No.: **29/702,554**

(22) Filed: **Aug. 20, 2019**

(51) **LOC (13) Cl.** ..... **14-02**

(52) **U.S. Cl.**

USPC ..... **D14/451**

(58) **Field of Classification Search**

USPC ..... D14/371–382, 125–129, 336, 337,  
D14/447–452, 492, 335, 376–382, 239,  
D14/457, 439–441, 432, 251–253;  
D8/349, 354, 363, 373, 376, 380;  
D21/333; D12/415; D3/218; 348/180,  
348/184, 325, 739, 825

CPC ..... G06F 3/0412; G06F 3/016; G06F 3/0488;  
G06F 3/011; G06F 3/038; G06F 3/03543;  
G06F 3/0338; G06F 3/0202; G06F  
3/0219; G06F 3/0213; G06F 1/1616;  
G06F 3/023; G06F 3/04883; G02F  
1/13338; G02F 1/1313; G02F 1/1333;  
G02F 1/135; G02F 1/132; G02F  
1/133308; G02F 1/134309; G02F  
1/13718; B41J 2/465; G09G 3/3648;  
G06K 15/1252; G03F 7/70291; G02B  
27/0172; G02B 5/30; G02B 2027/0118;  
G02B 27/0101; F16M 13/02; F16M  
13/00; F16M 11/10; F16M 11/04; F16M  
2200/08; F16M 11/2021; H02G 3/126;  
A47B 21/0314; A47B 88/044; A47B  
2021/0335; A47G 1/17; F16B 47/00;  
F16B 47/006; A47K 2201/00

See application file for complete search history.

(56) **References Cited**

U.S. PATENT DOCUMENTS

7,195,214 B2 \* 3/2007 Lee ..... F16M 11/08  
248/125.8  
7,317,613 B2 \* 1/2008 Quijano ..... F16M 11/041  
16/323  
D576,427 S \* 9/2008 Stebbens ..... D6/675.1  
D595,277 S \* 6/2009 Bremmon ..... D14/239  
D598,458 S \* 8/2009 Li ..... D14/451  
D634,310 S \* 3/2011 Knaapen ..... D14/239  
D712,690 S \* 9/2014 Xiang ..... D6/678.1  
D712,691 S \* 9/2014 Xiang ..... D6/678.1  
9,125,502 B2 \* 9/2015 Gwag ..... A47F 5/0853  
D763,236 S \* 8/2016 Lam ..... D14/239  
D787,485 S \* 5/2017 Lam ..... D14/239  
D820,818 S \* 6/2018 Heckler ..... D14/239  
D872,066 S \* 1/2020 Bailey ..... D14/239

\* cited by examiner

*Primary Examiner* — Katie Jane Stofko

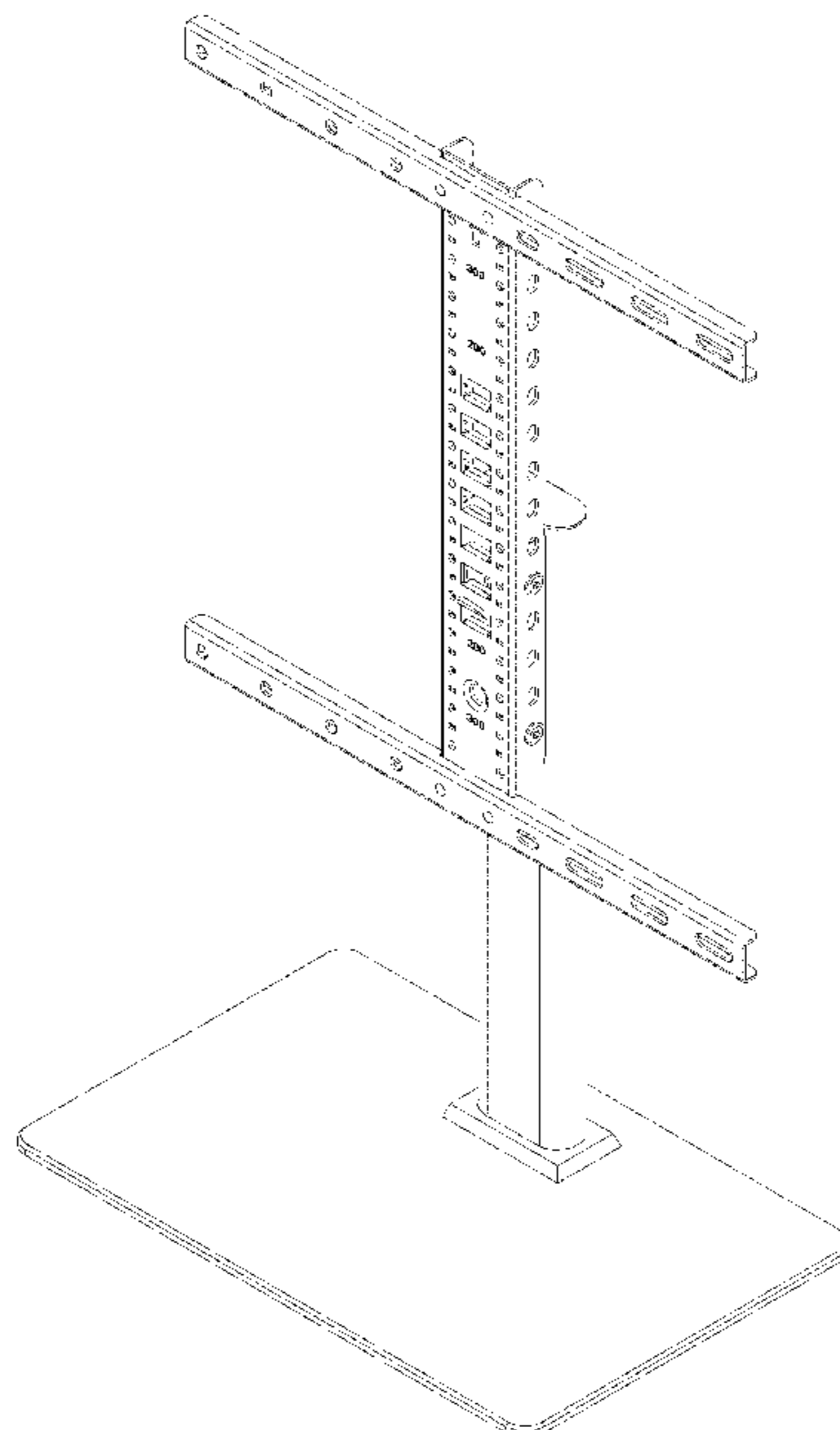
(57) **CLAIM**

The ornamental design for a monitor stand, as shown and described.

**DESCRIPTION**

FIG. 1 is a perspective view of the monitor stand showing my new design;  
FIG. 2 is a front elevation view thereof;  
FIG. 3 is a rear elevation view thereof;  
FIG. 4 is a left side elevation view thereof;  
FIG. 5 is a right side elevation view thereof;  
FIG. 6 is a top plan view thereof; and,  
FIG. 7 is a bottom plan view thereof.  
The broken lines in the drawings depict portions of the monitor stand that form no part of the claimed design.

**1 Claim, 7 Drawing Sheets**



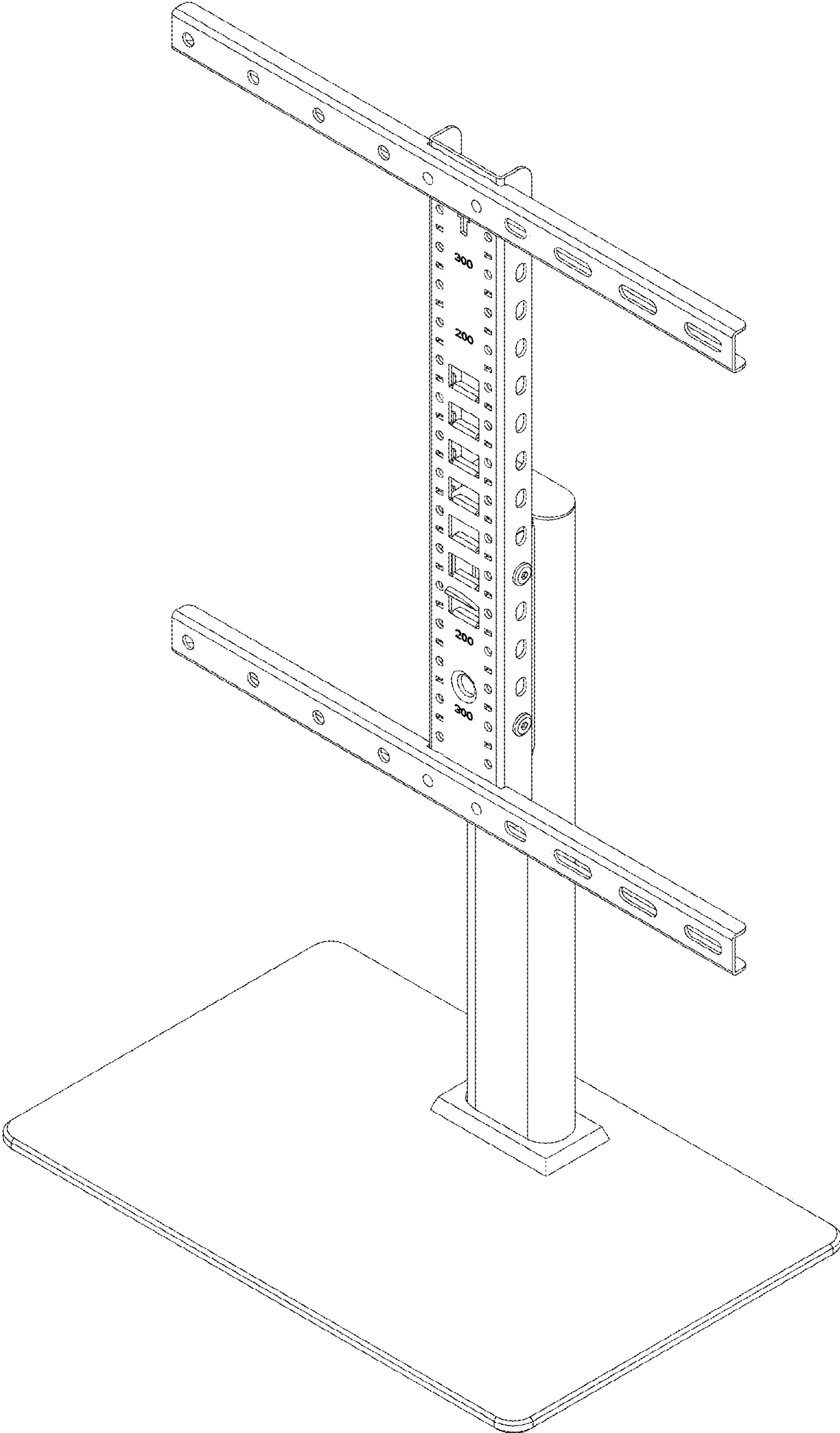


FIG. 1

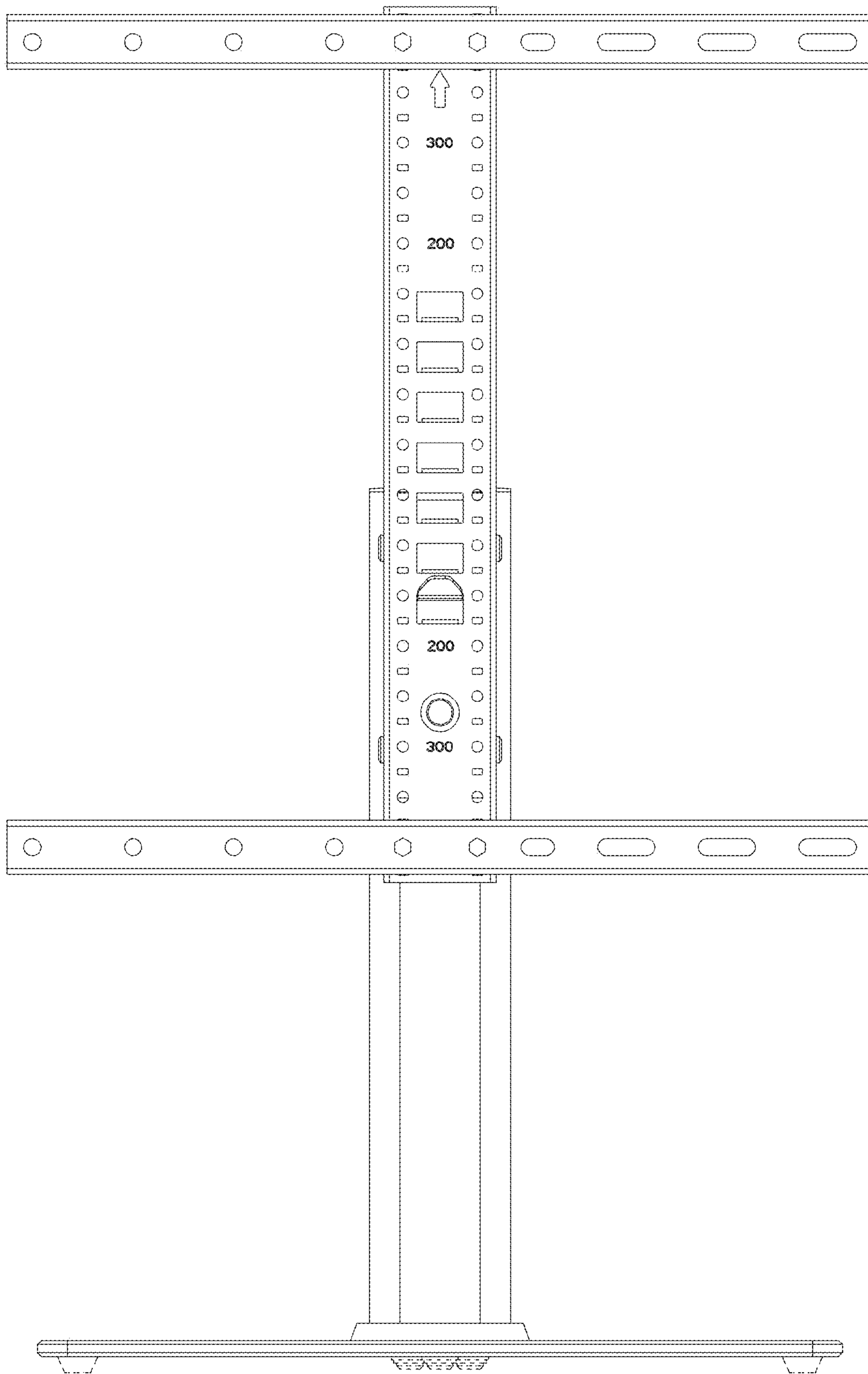


FIG. 2

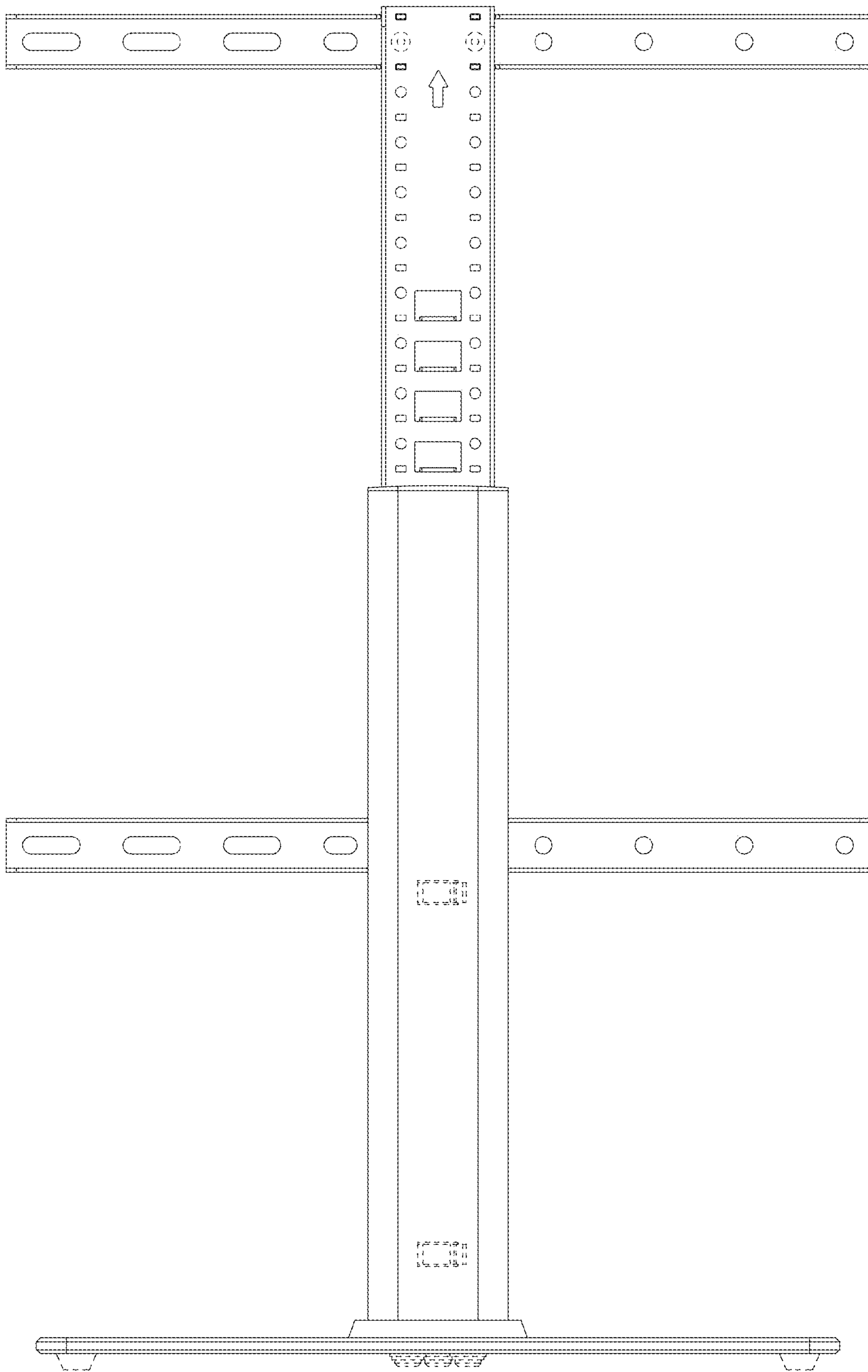


FIG. 3

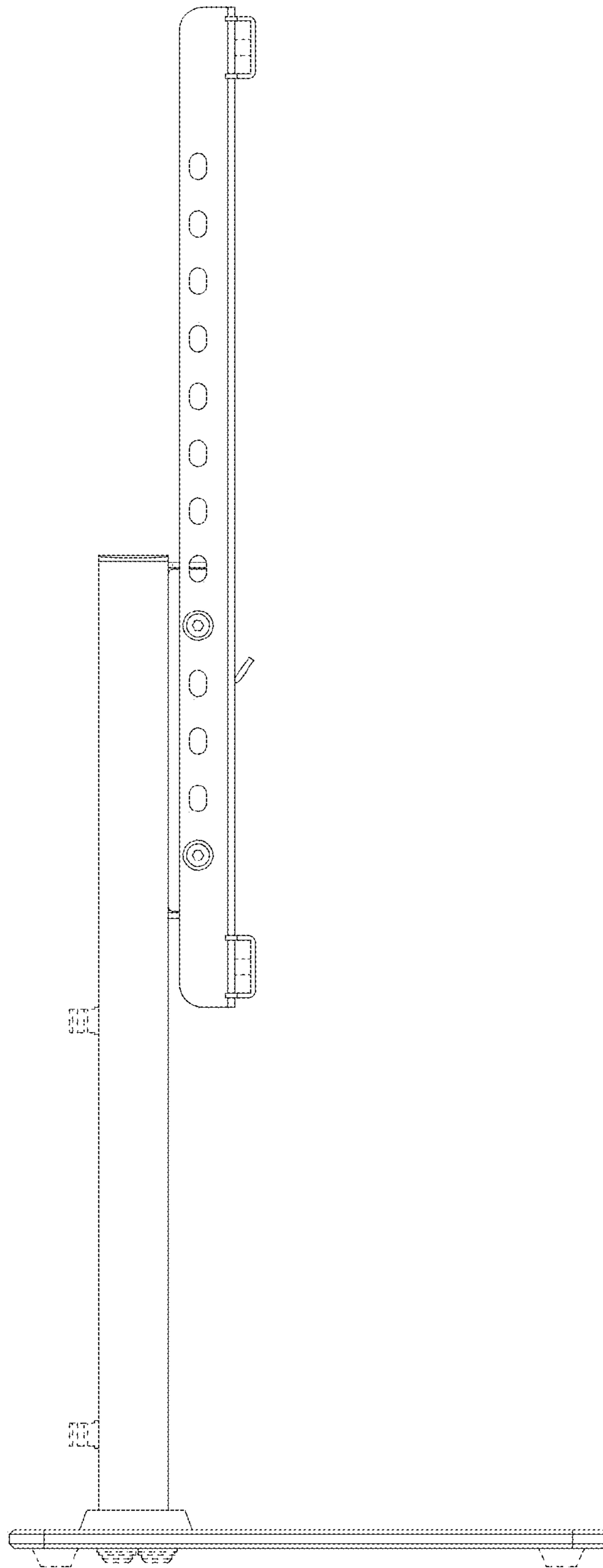


FIG. 4

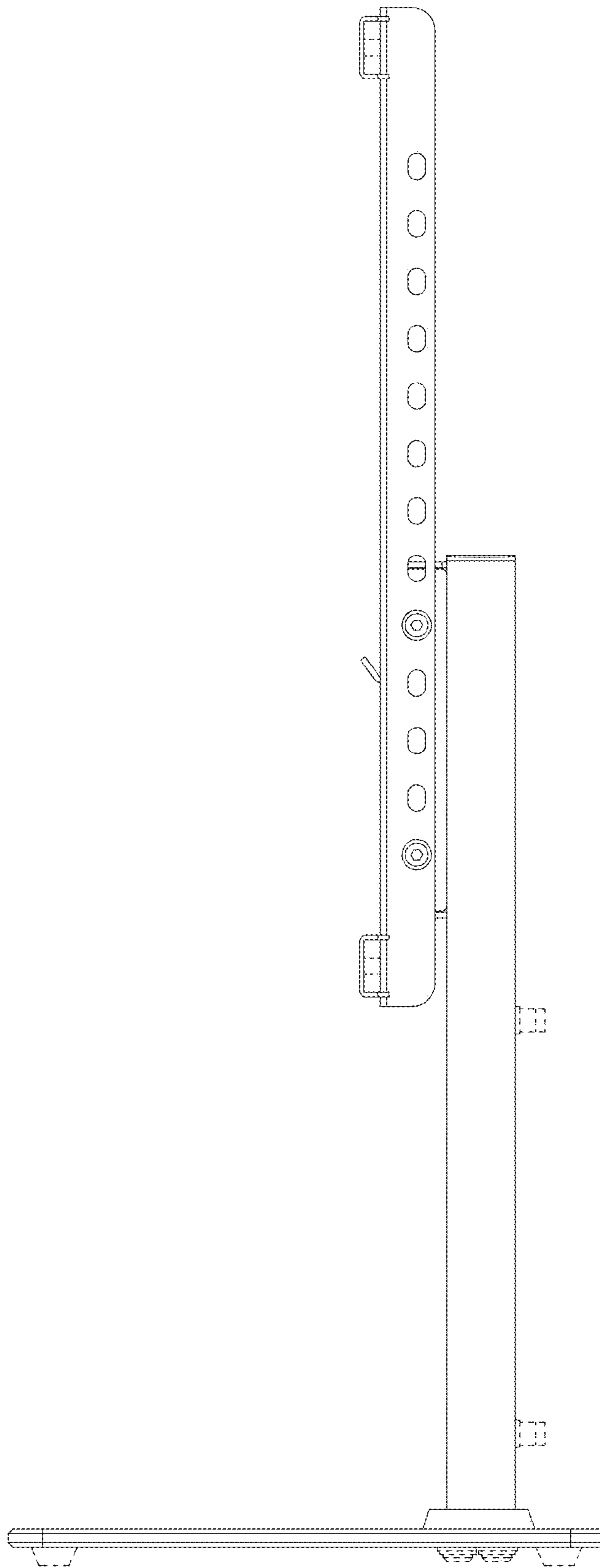


FIG. 5

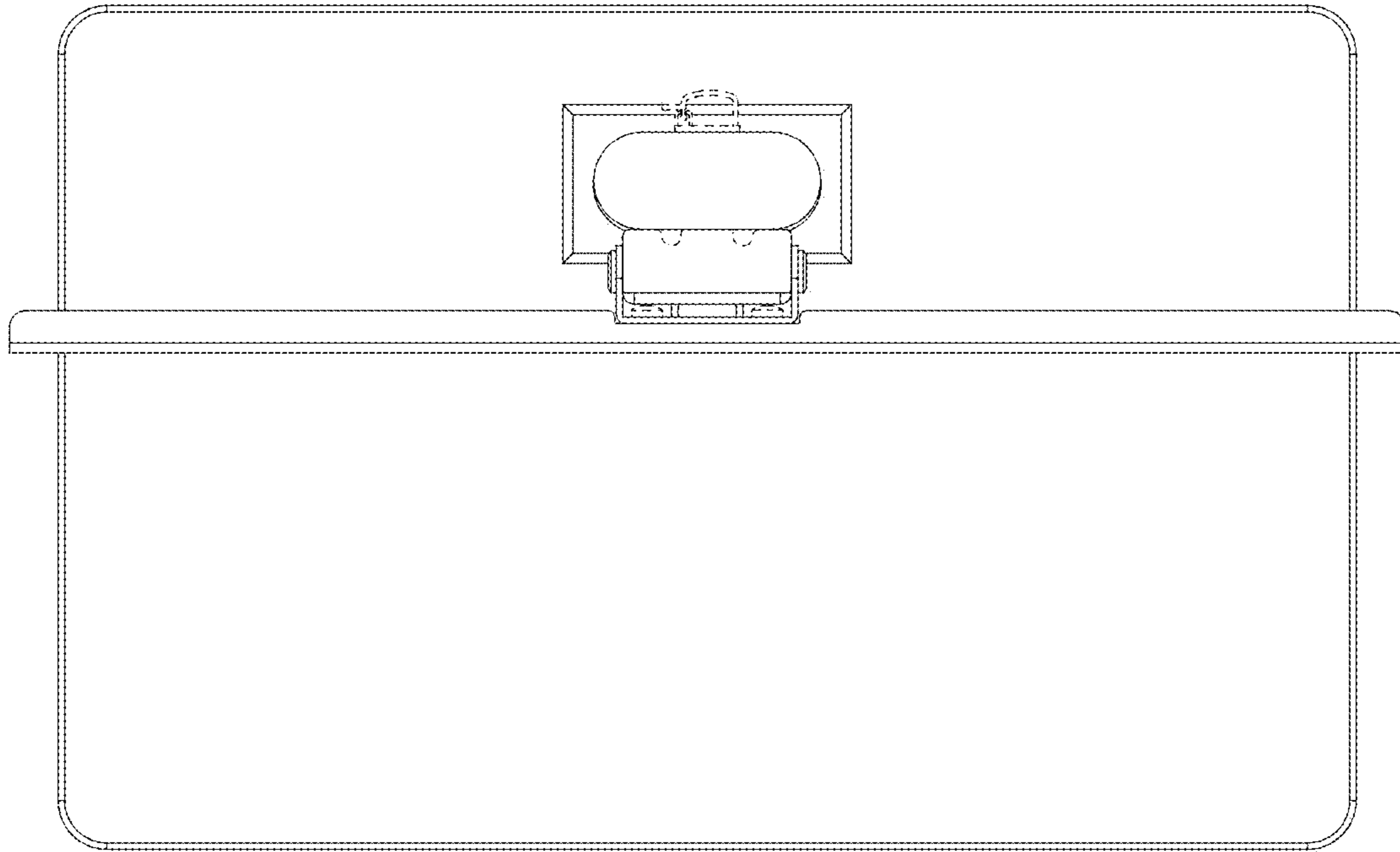


FIG. 6

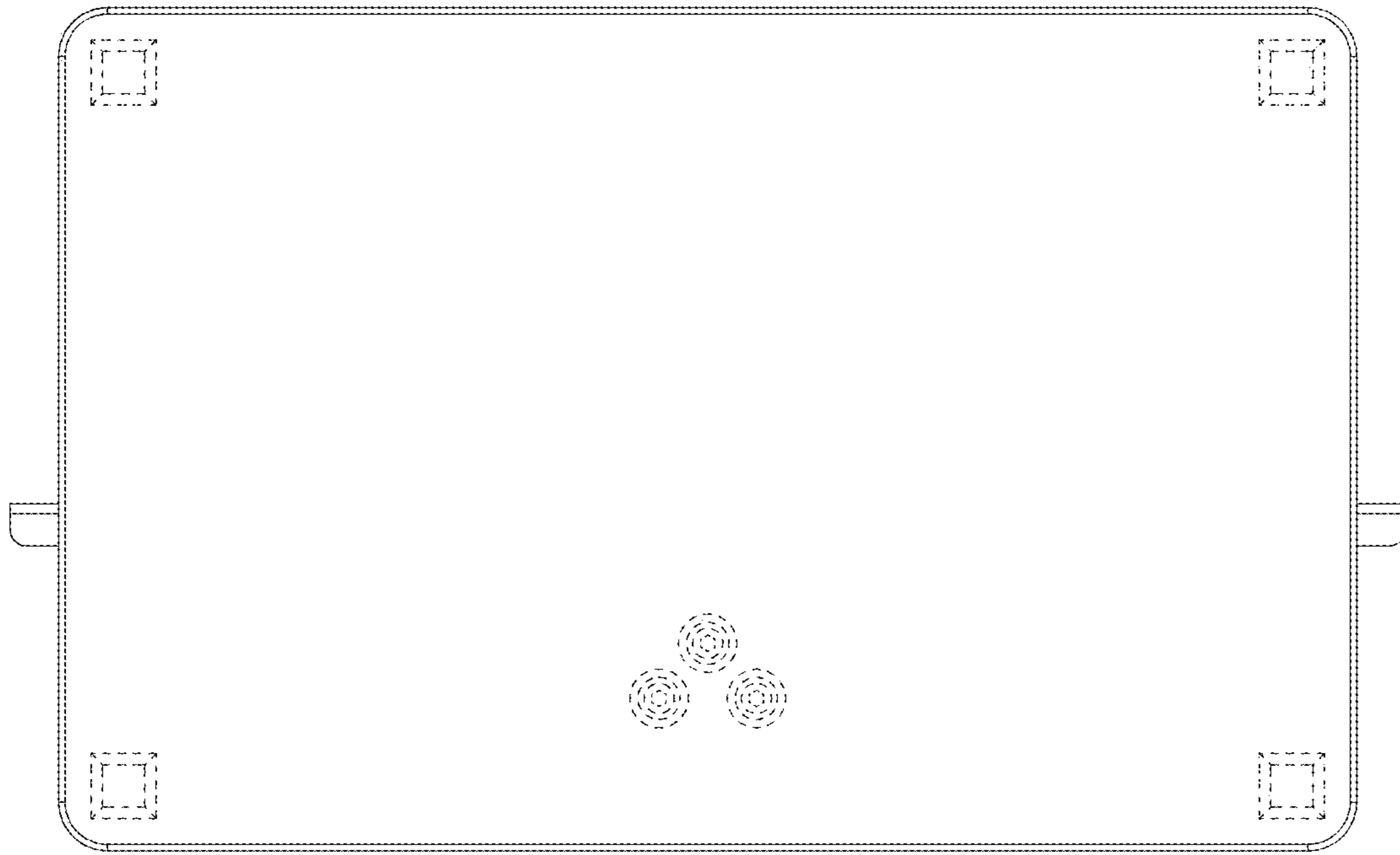


FIG. 7