



US00D920985S

(12) **United States Design Patent** (10) **Patent No.:** **US D920,985 S**
Kuo (45) **Date of Patent:** **** Jun. 1, 2021**

(54) **FOOT PAD FOR NOTEBOOK COMPUTER**

(71) Applicant: **Getac Technology Corporation,**
Hsinchu County (TW)

(72) Inventor: **Hsiu-Yu Kuo,** Taipei (TW)

(73) Assignee: **GETAC TECHNOLOGY CORPORATION,** Hsinchu County (TW)

(**) Term: **15 Years**

(21) Appl. No.: **29/725,799**

(22) Filed: **Feb. 27, 2020**

(51) **LOC (13) Cl.** **08-07**

(52) **U.S. Cl.**
USPC **D14/447**

(58) **Field of Classification Search**
USPC D14/447, 432, 434, 439, 440, 451, 452,
D14/457, 239, 253; D8/363, 373, 380;
D6/406.3, 406.4, 406.5, 406.6
(Continued)

(56) **References Cited**

U.S. PATENT DOCUMENTS

6,616,111 B1 * 9/2003 White G06F 1/1626
206/320
D627,340 S * 11/2010 Lan D14/253
(Continued)

Primary Examiner — Angela J Lee

(74) *Attorney, Agent, or Firm* — Locke Lord LLP; Tim Tingkang Xia, Esq.

(57) **CLAIM**

The ornamental design for a “foot pad for notebook computer”, as shown and described.

DESCRIPTION

FIG. 1 is a front, top, right perspective view of a foot pad for notebook computer, showing my new design;

FIG. 2 is a front, top, right perspective view of component 1 thereof;

FIG. 3 is a front elevational view of component 1 thereof;

FIG. 4 is a rear elevational view of component 1 thereof;

FIG. 5 is a left side elevational view of component 1 thereof;

FIG. 6 is a right side elevational view of component 1 thereof;

FIG. 7 is a top plan view of component 1 thereof;

FIG. 8 is a bottom plan view of component 1 thereof;

FIG. 9 is a front, top, right perspective view of component 2 thereof;

FIG. 10 is a front elevational view of component 2 thereof;

FIG. 11 is a rear elevational view of component 2 thereof;

FIG. 12 is a left side elevational view of component 2 thereof;

FIG. 13 is a right side elevational view of component 2 thereof;

FIG. 14 is a top plan view of component 2 thereof;

FIG. 15 is a bottom plan view of component 2 thereof;

FIG. 16 is a front, top, right perspective view of component 3 thereof;

FIG. 17 is a front elevational view of component 3 thereof;

FIG. 18 is a rear elevational view of component 3 thereof;

FIG. 19 is a left side elevational view of component 3 thereof;

FIG. 20 is a right side elevational view of component 3 thereof;

FIG. 21 is a top plan view of component 3 thereof;

FIG. 22 is a bottom plan view of component 3 thereof;

FIG. 23 is a front, top, right perspective view of component 4 thereof;

FIG. 24 is a front elevational view of component 4 thereof;

FIG. 25 is a rear elevational view of component 4 thereof;

FIG. 26 is a left side elevational view of component 4 thereof;

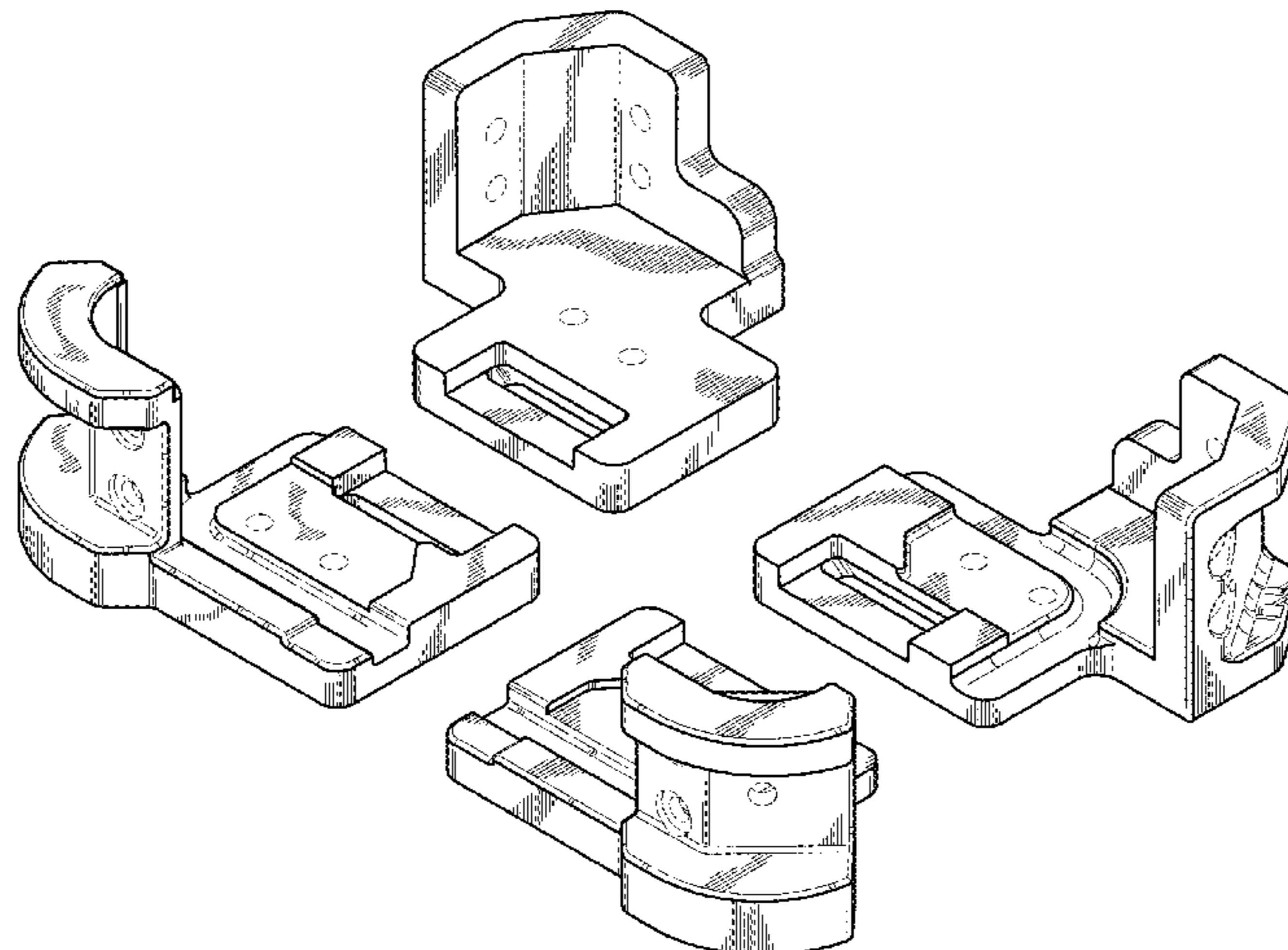
FIG. 27 is a right side elevational view of component 4 thereof;

FIG. 28 is a top plan view of component 4 thereof;

FIG. 29 is a bottom plan view of component 4 thereof; and,

FIG. 30 is a reference perspective view of a notebook computer installed on my new design.

(Continued)



The surface shading lines illustrate contour only and form no part of the present design. The dashed broken lines illustrate environmental subject matter which forms no part of the claimed design.

1 Claim, 30 Drawing Sheets

(58) Field of Classification Search

CPC A47B 21/04; A47B 2097/006; A47B
2097/005; A47B 2023/049; A45C
2011/002; A45C 2011/003; F16M
2200/00; F16M 13/00

See application file for complete search history.

(56) References Cited

U.S. PATENT DOCUMENTS

D674,395 S *	1/2013	Haarburger	D14/447
D692,011 S *	10/2013	Wu	D14/447
D707,231 S *	6/2014	Sirichai	D14/447
D721,711 S *	1/2015	Chen	D14/447
D732,544 S *	6/2015	Sirichai	D14/447
D743,408 S *	11/2015	Chen	D14/447
D798,873 S *	10/2017	Ng	D14/447
D825,576 S *	8/2018	Krupa	D14/447
D834,029 S *	11/2018	Wengreen	D14/447
D865,770 S *	11/2019	Igbo-Nwoke	D14/447
D896,803 S *	9/2020	Kim	D14/250

* cited by examiner

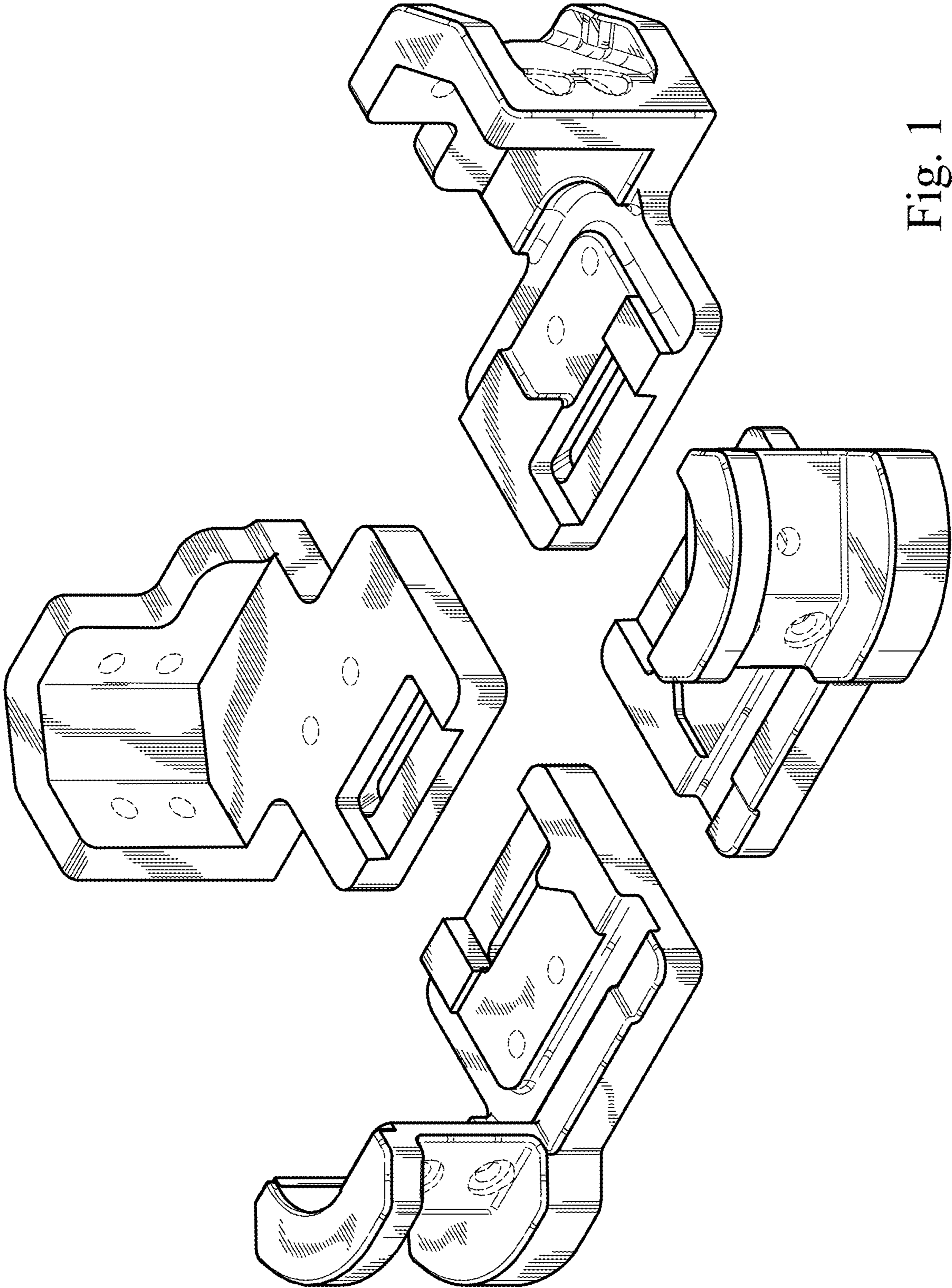


Fig. 1

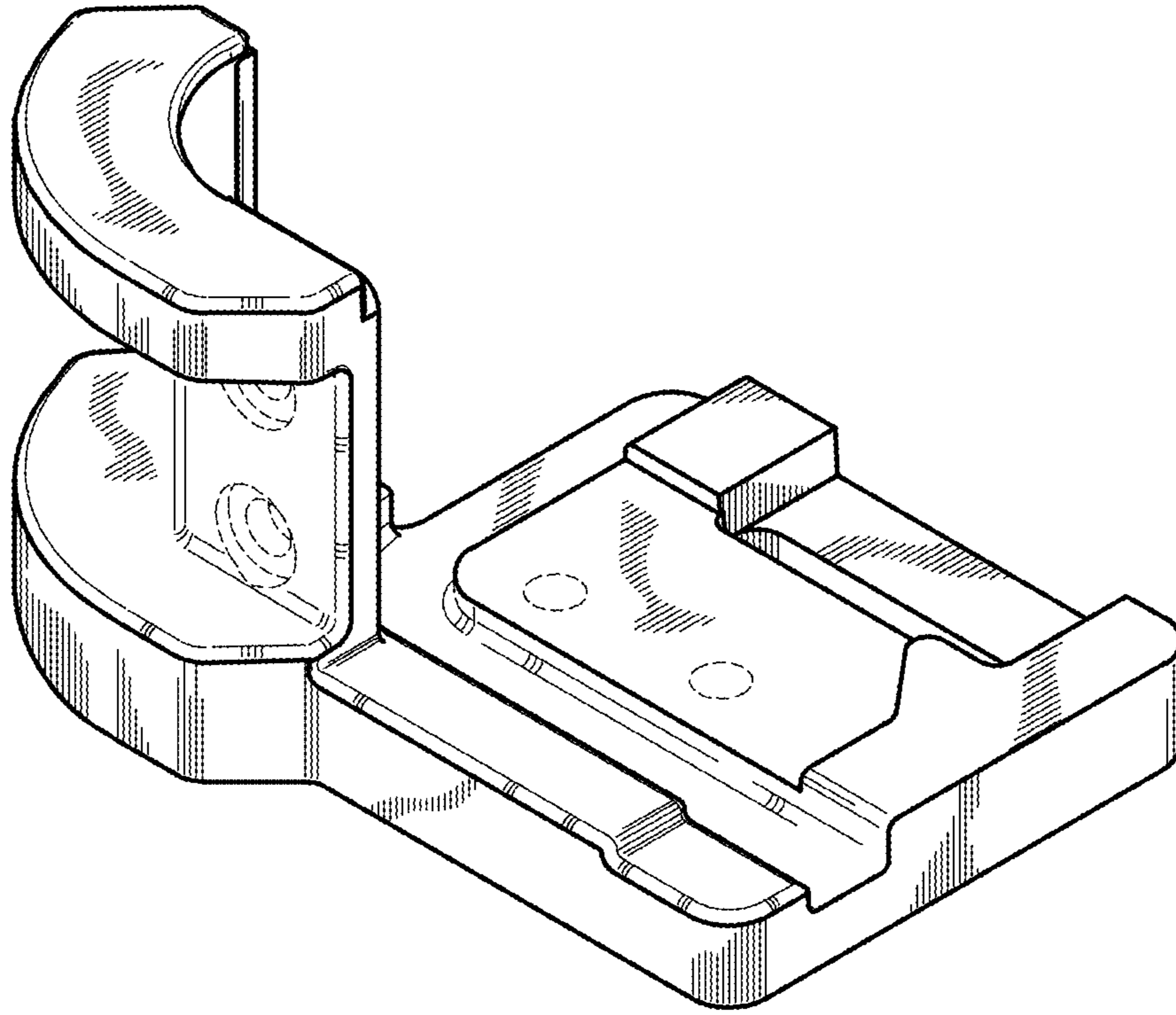


Fig. 2

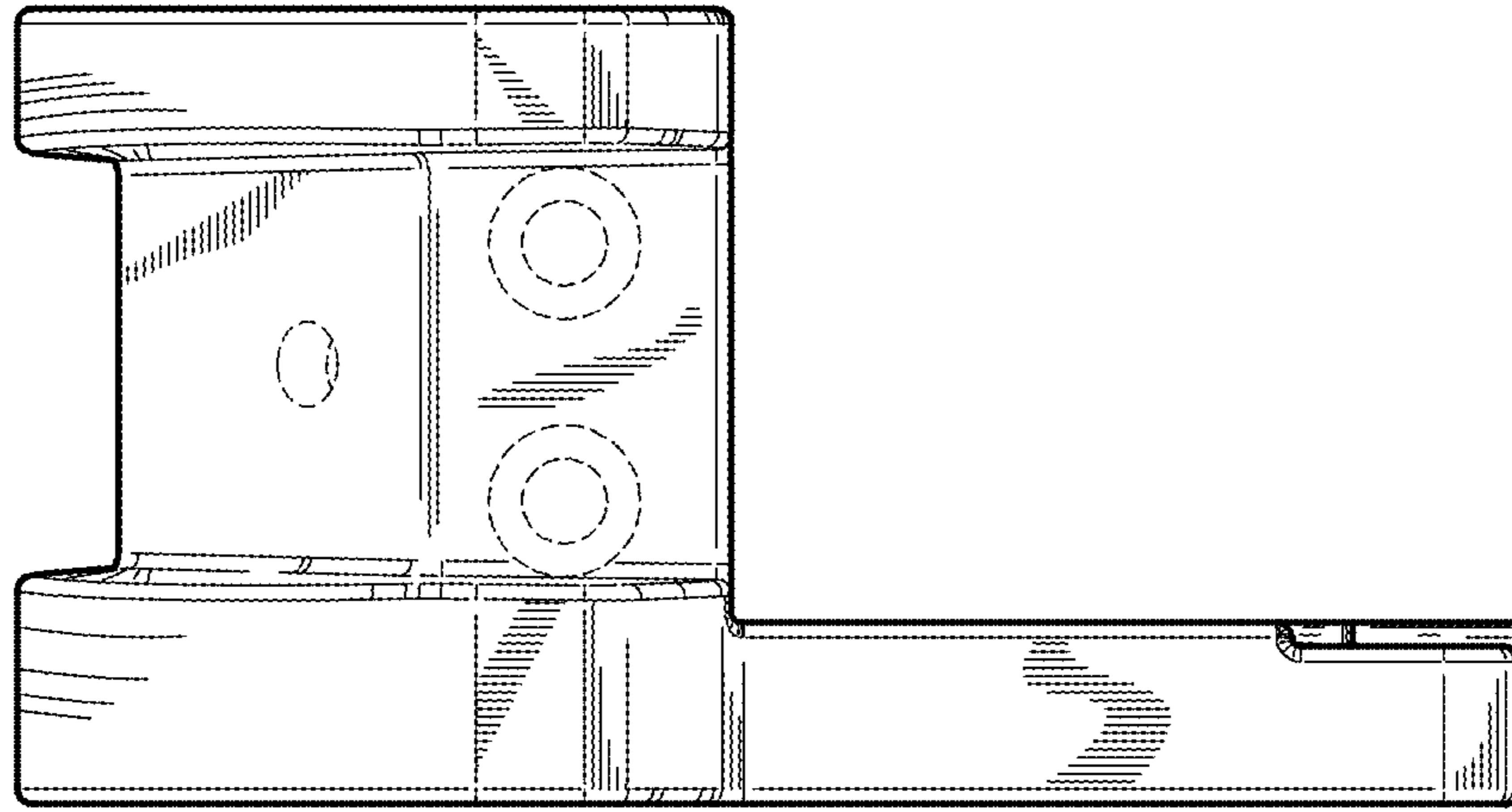


Fig. 3

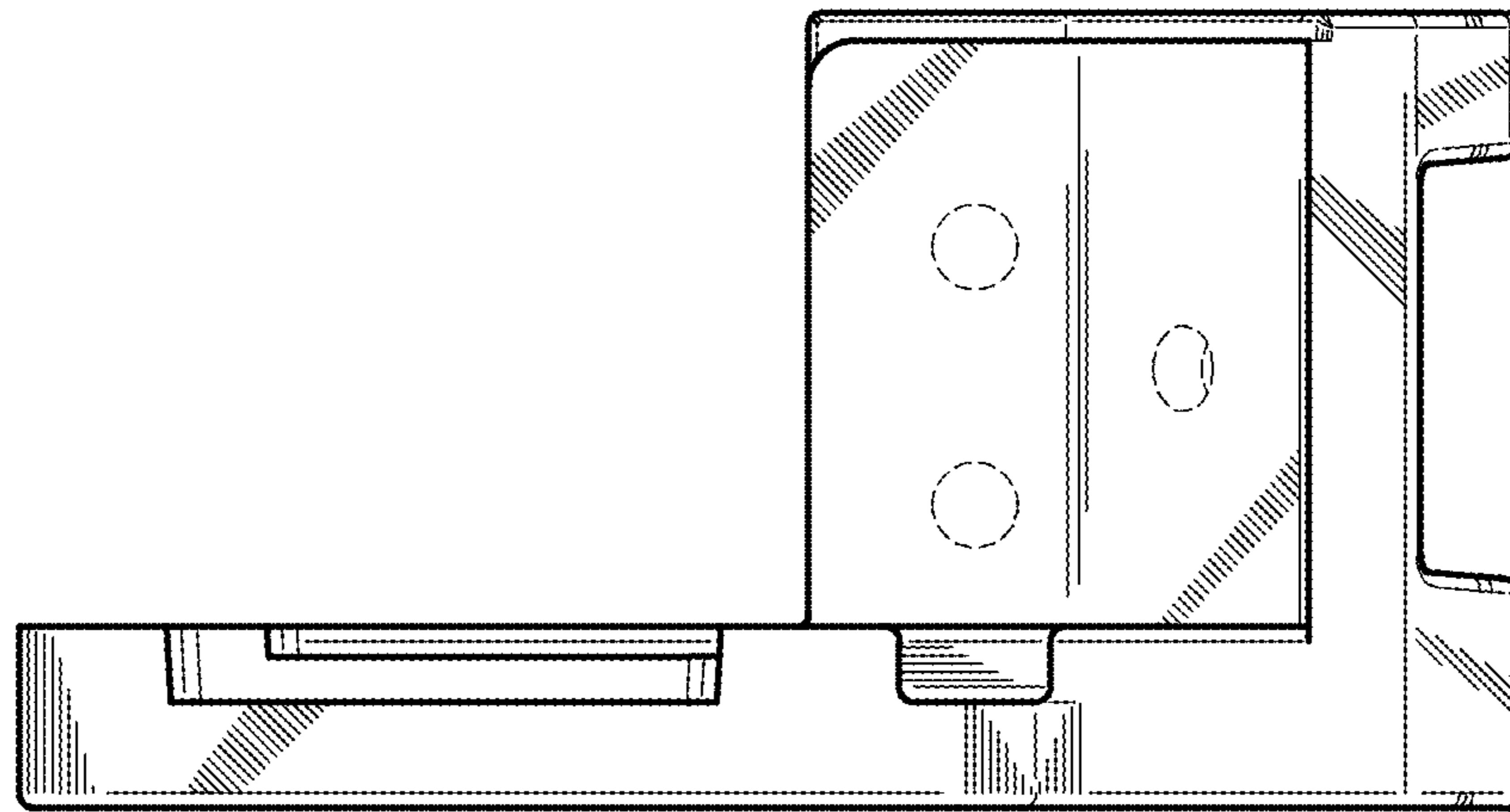


Fig. 4

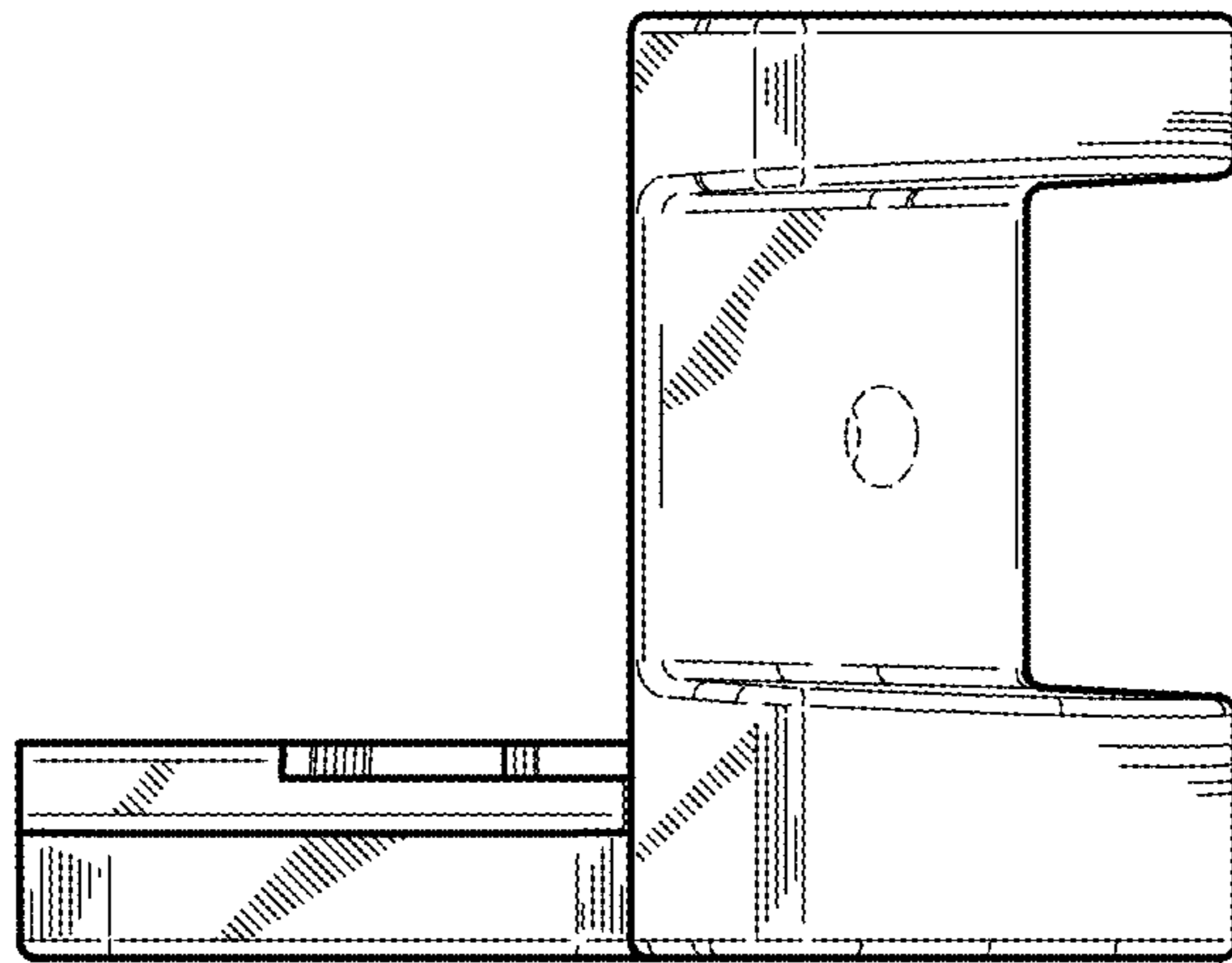


Fig. 5

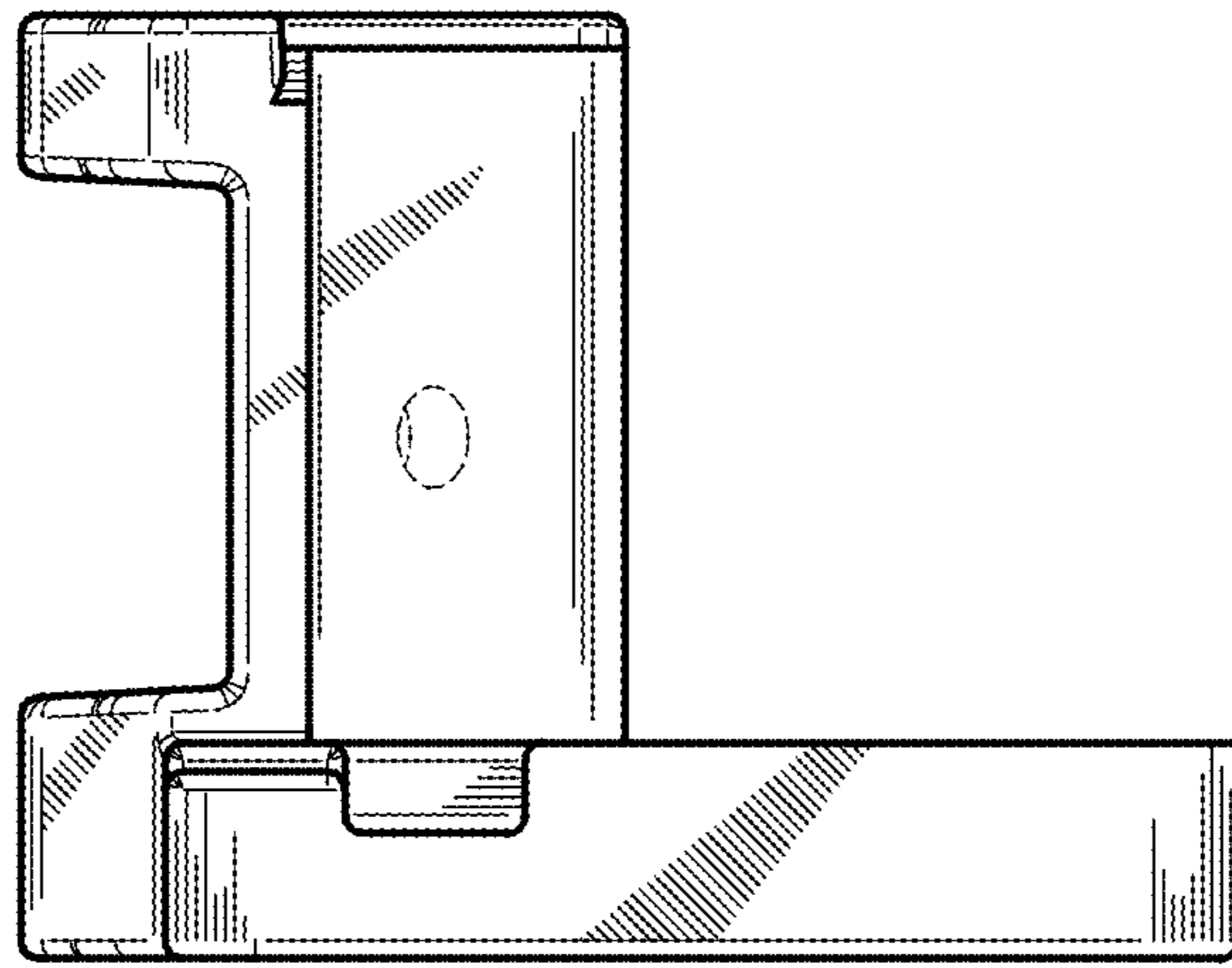


Fig. 6

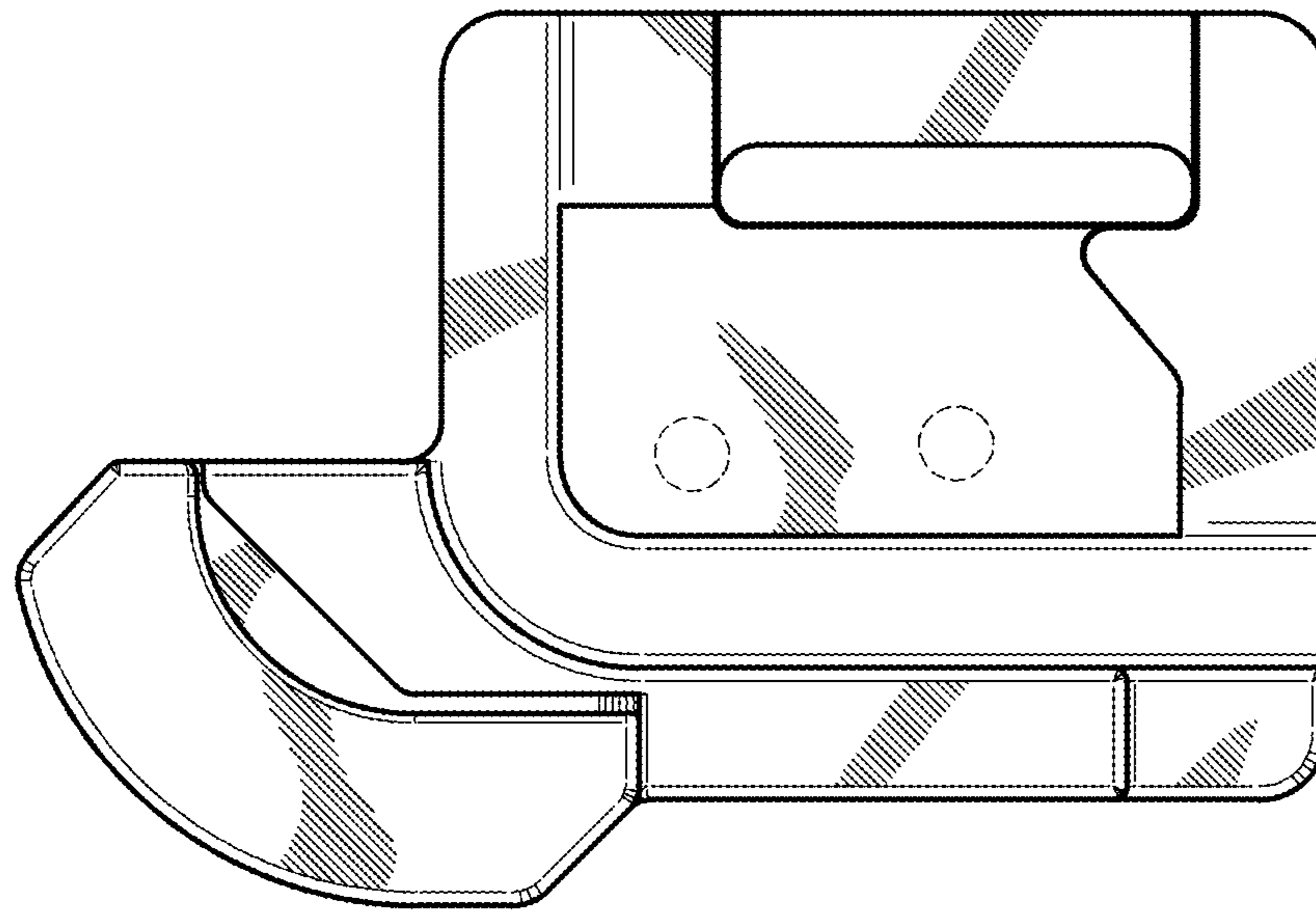


Fig. 7

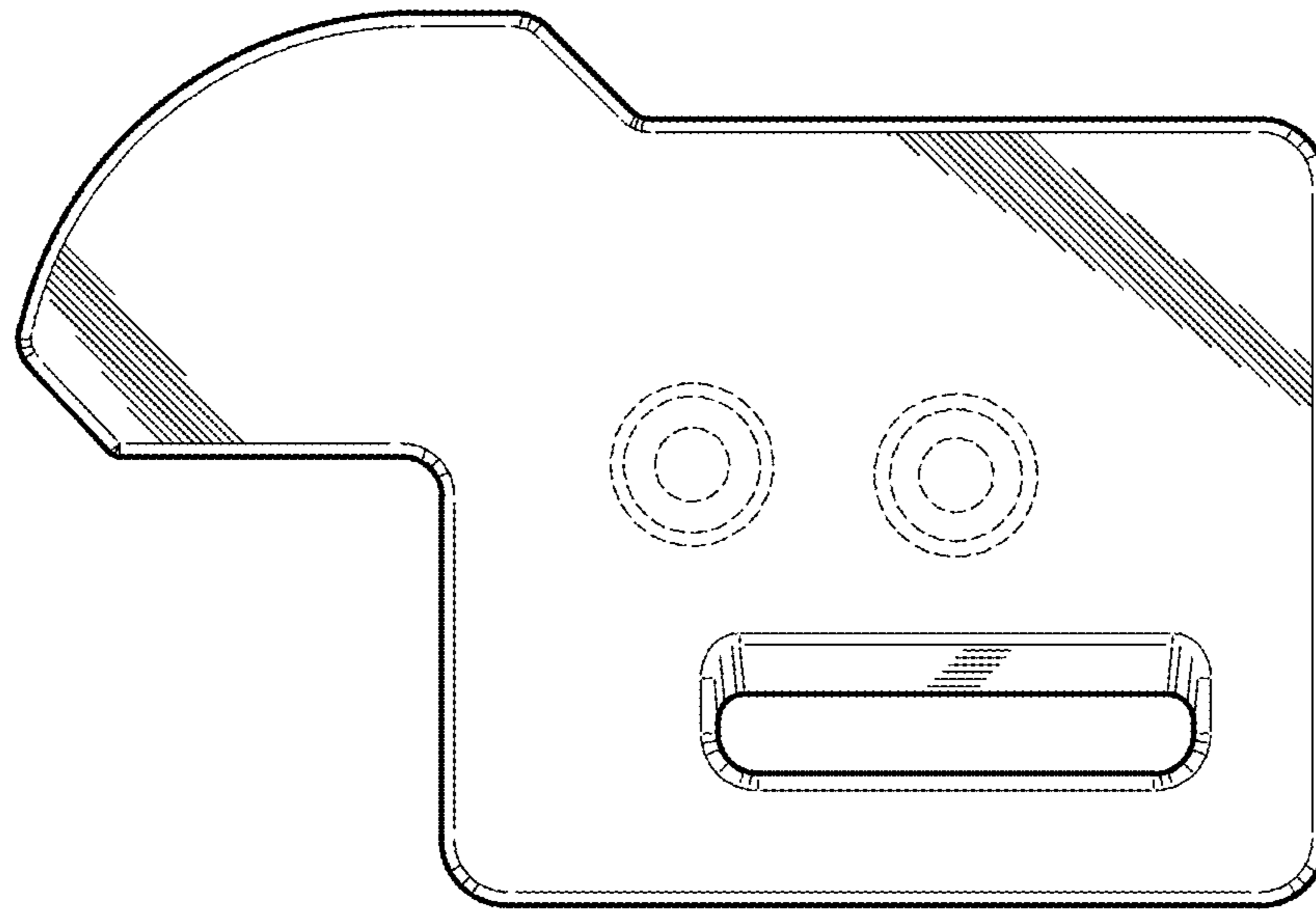


Fig. 8

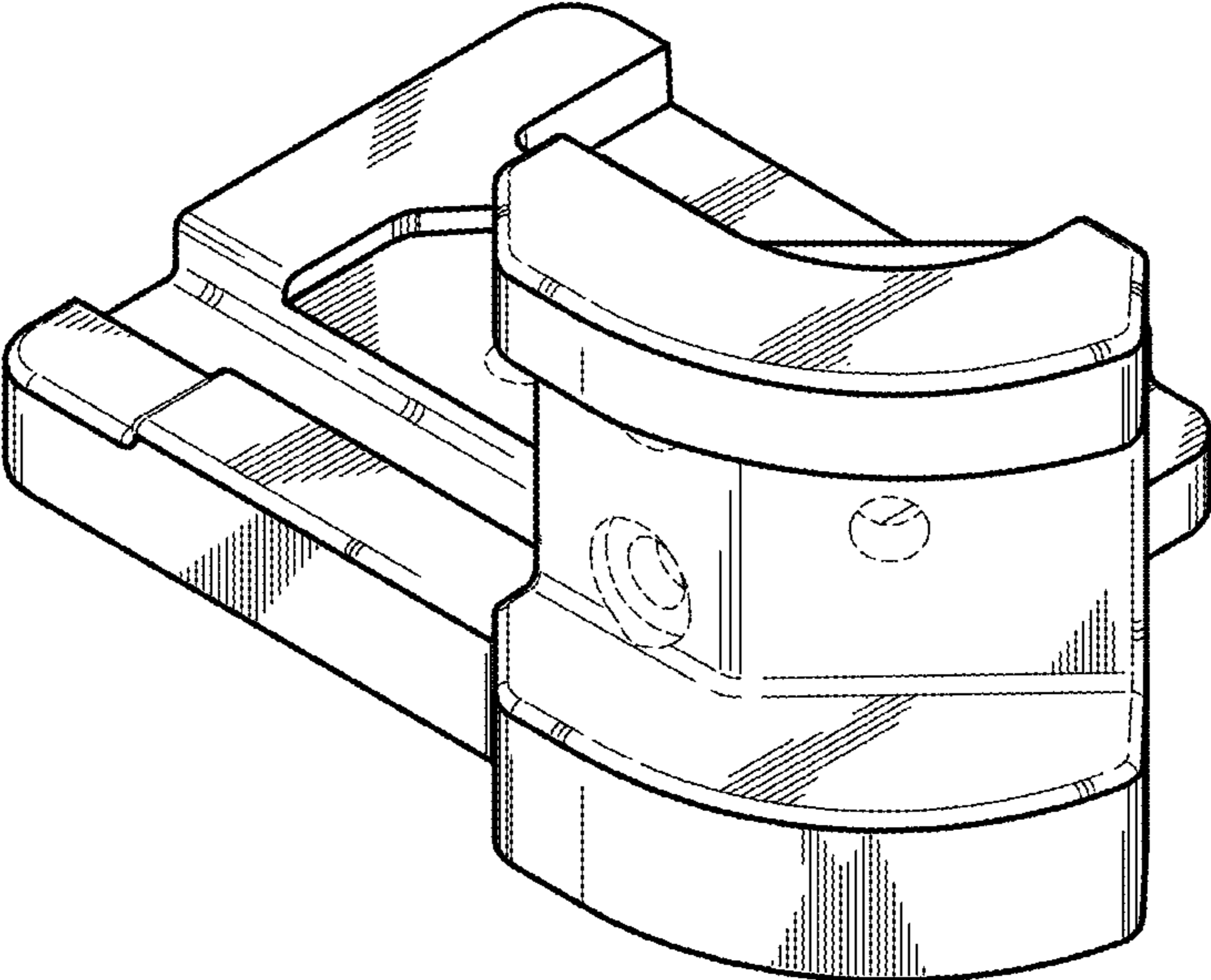


Fig. 9

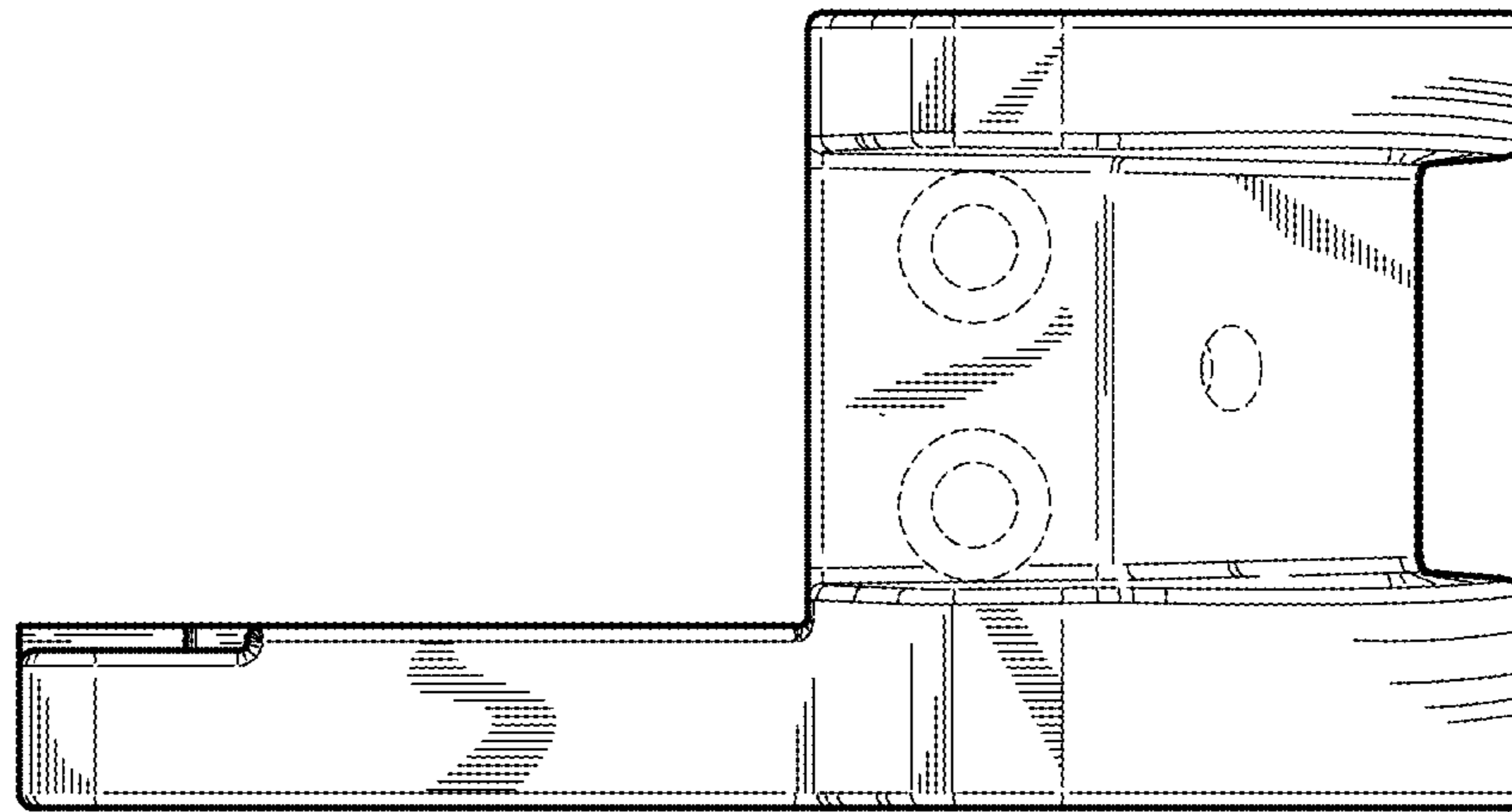


Fig. 10

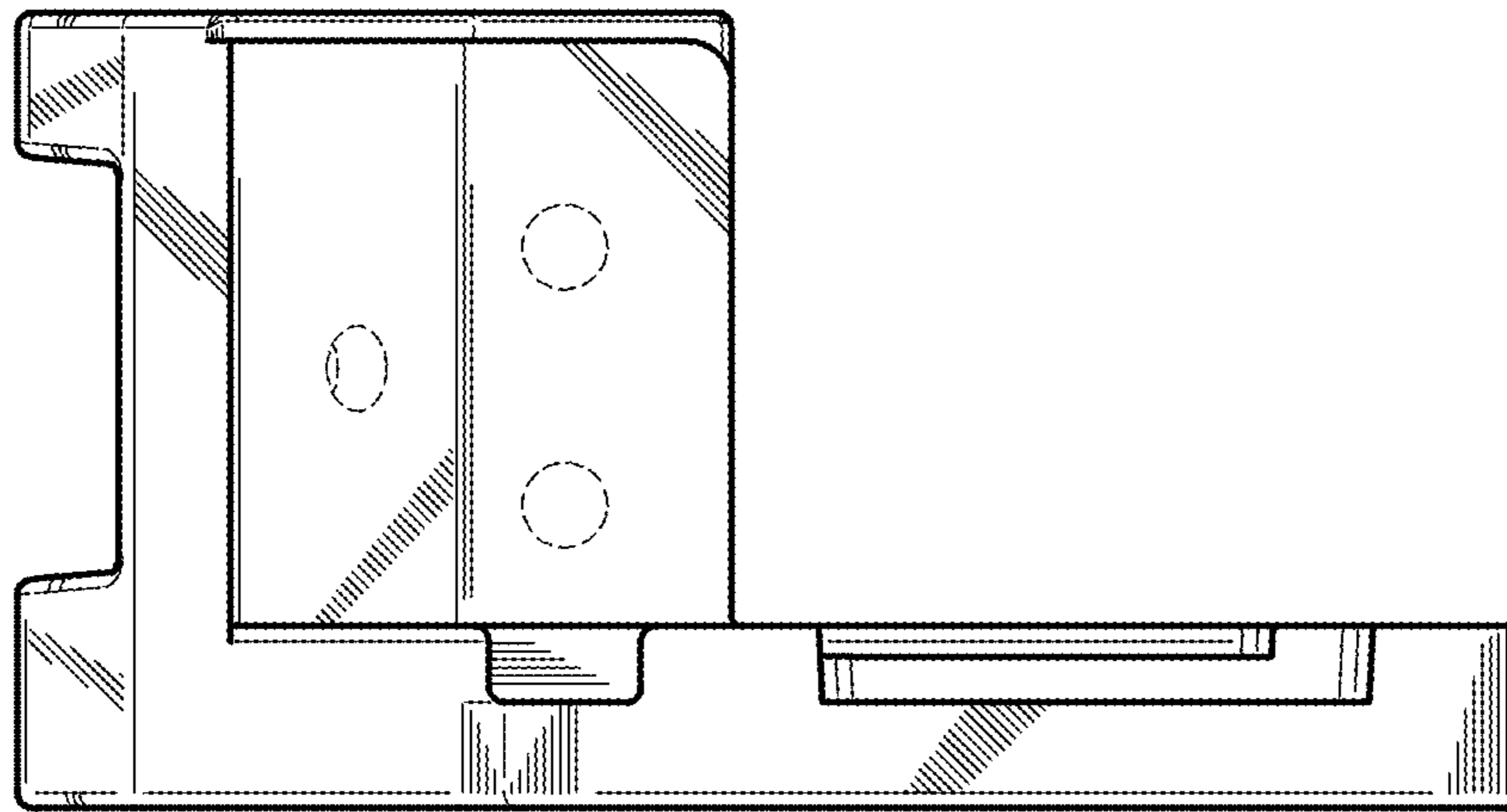


Fig. 11

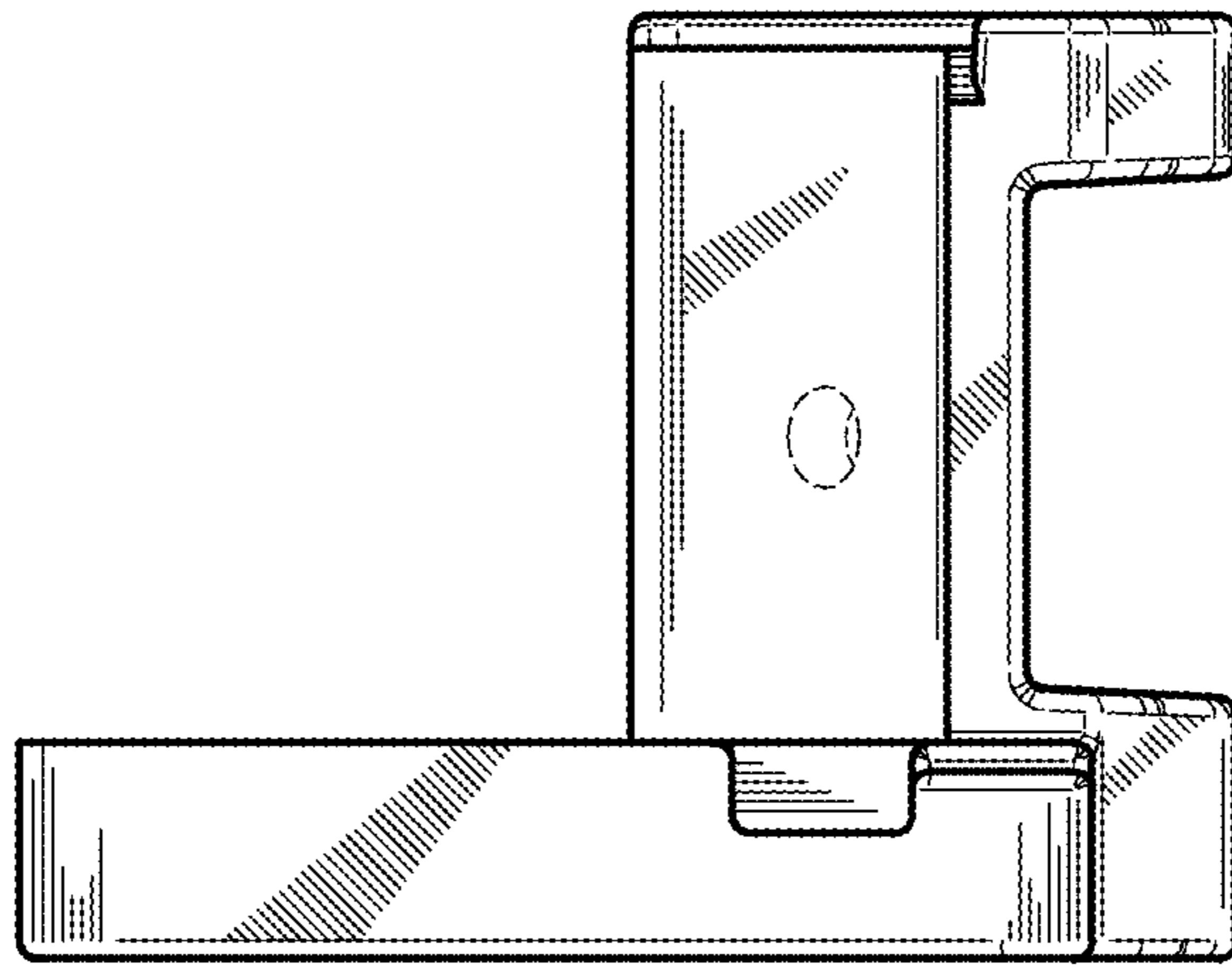


Fig. 12

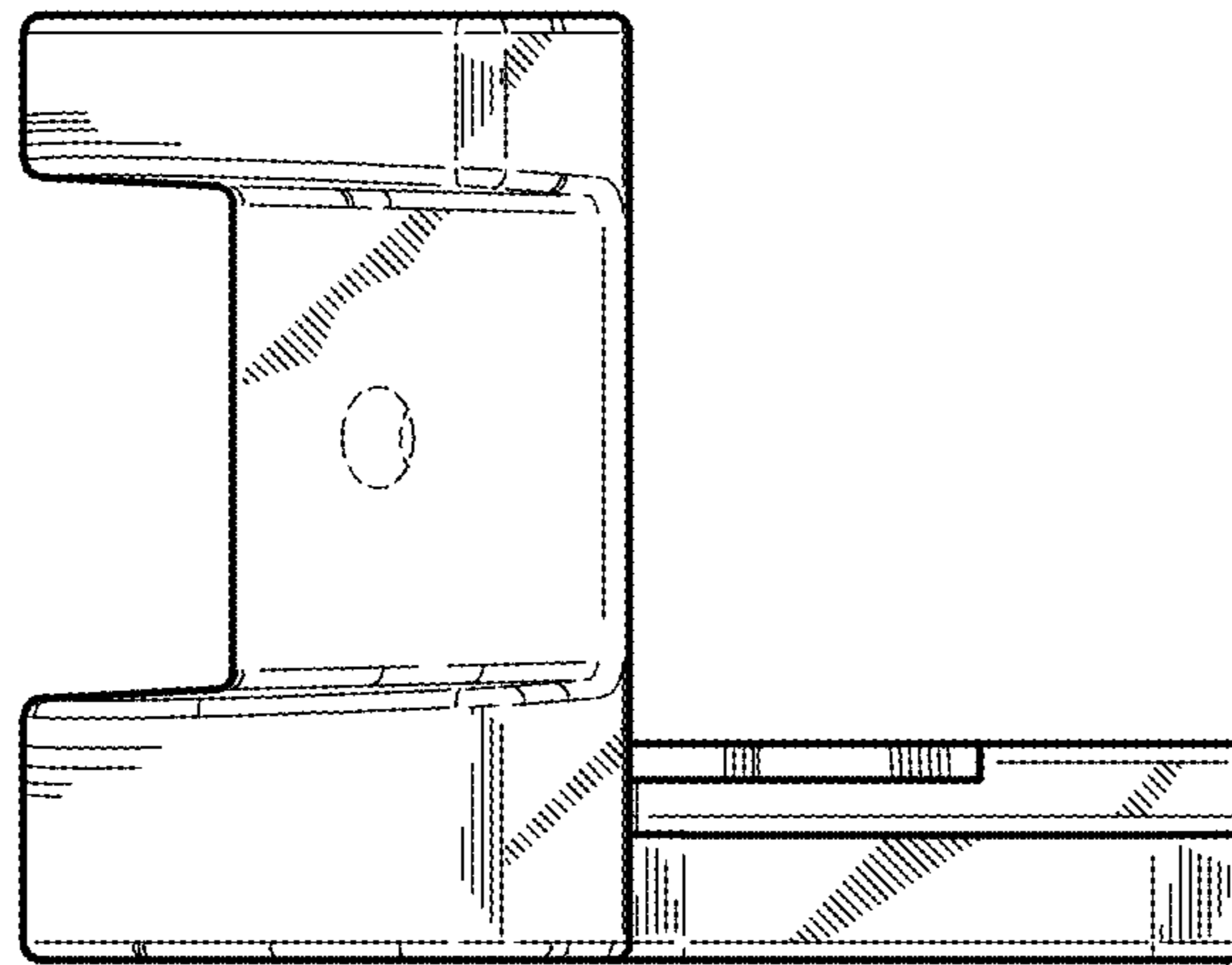


Fig. 13

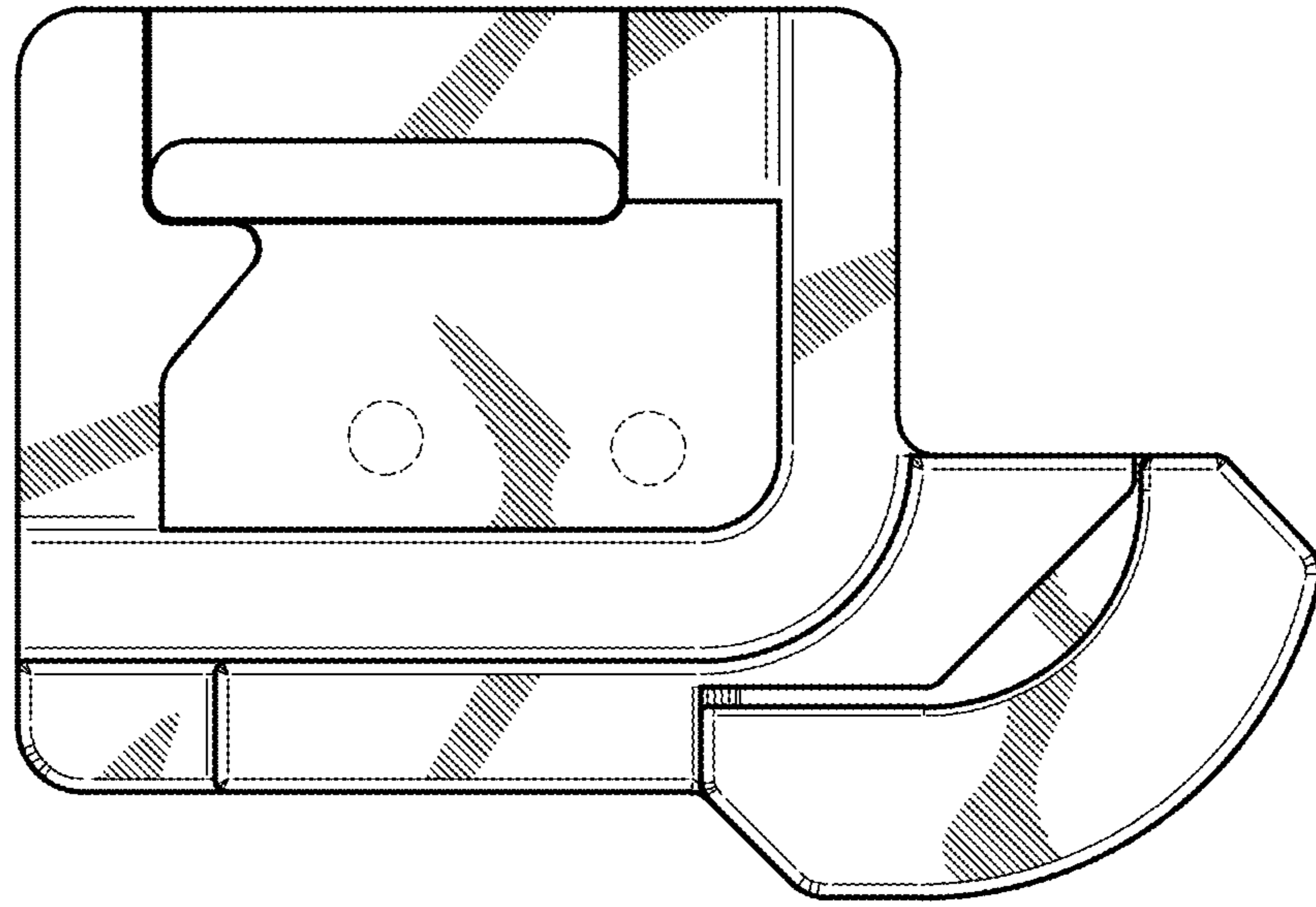


Fig. 14

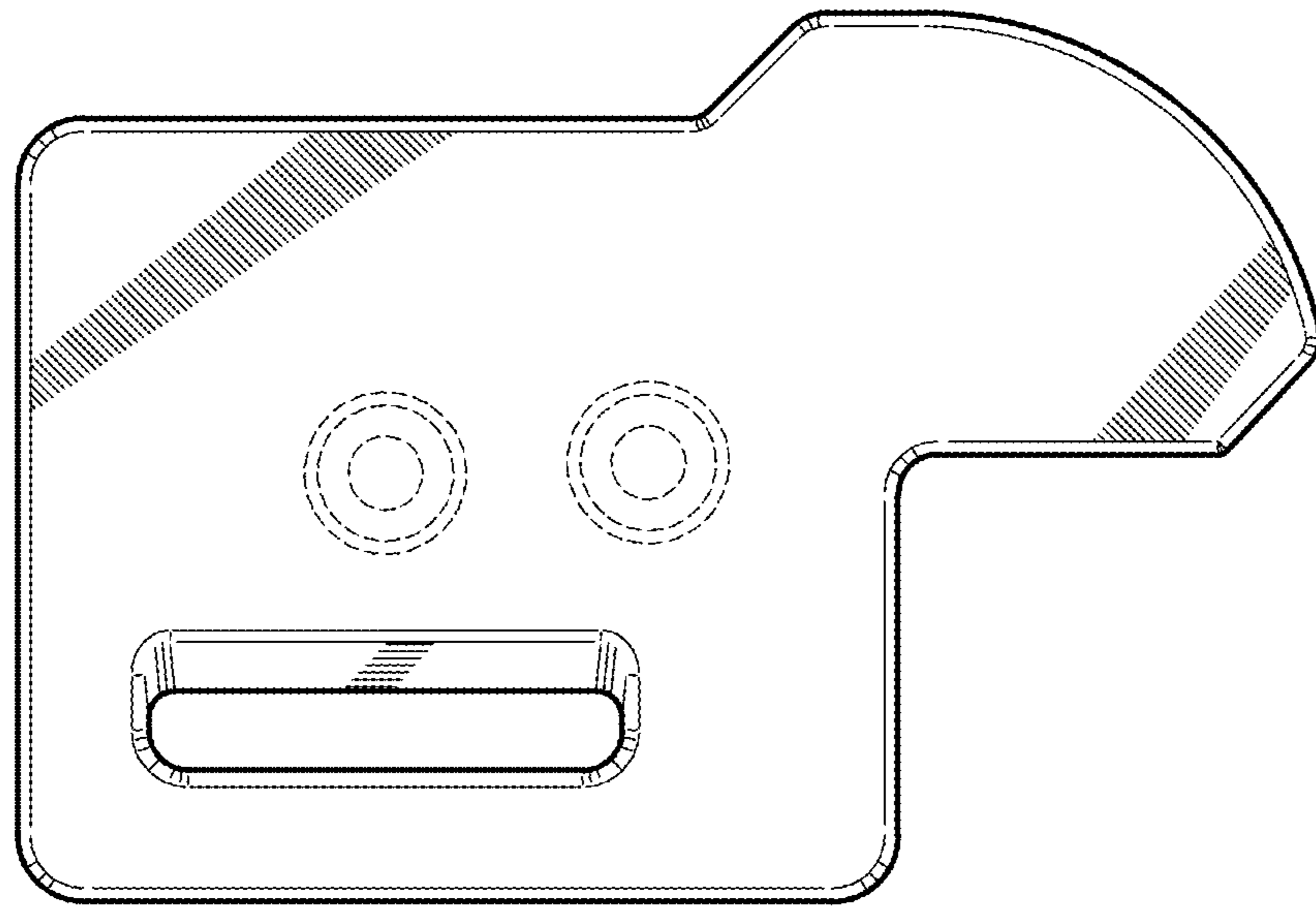


Fig. 15

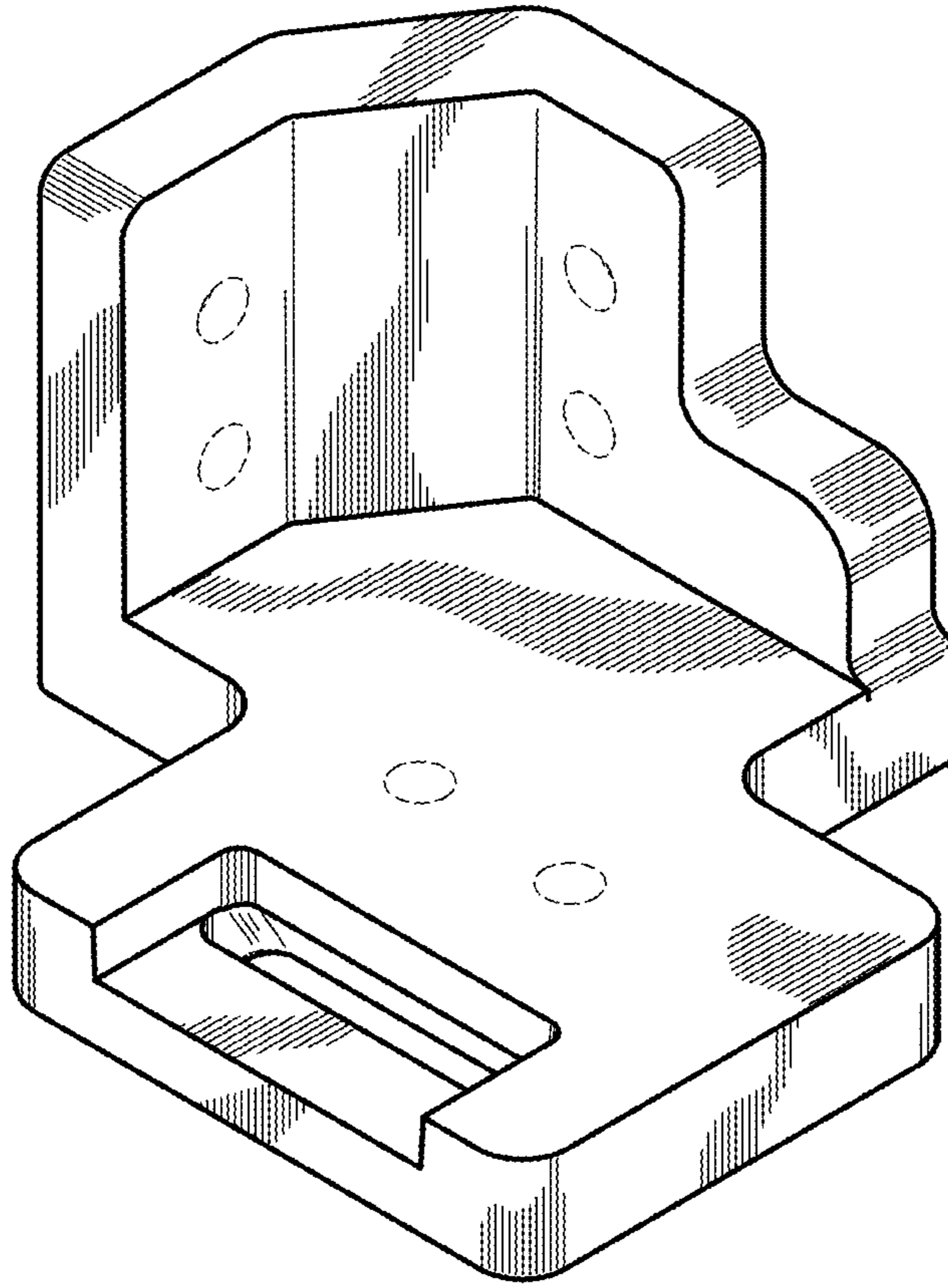


Fig. 16

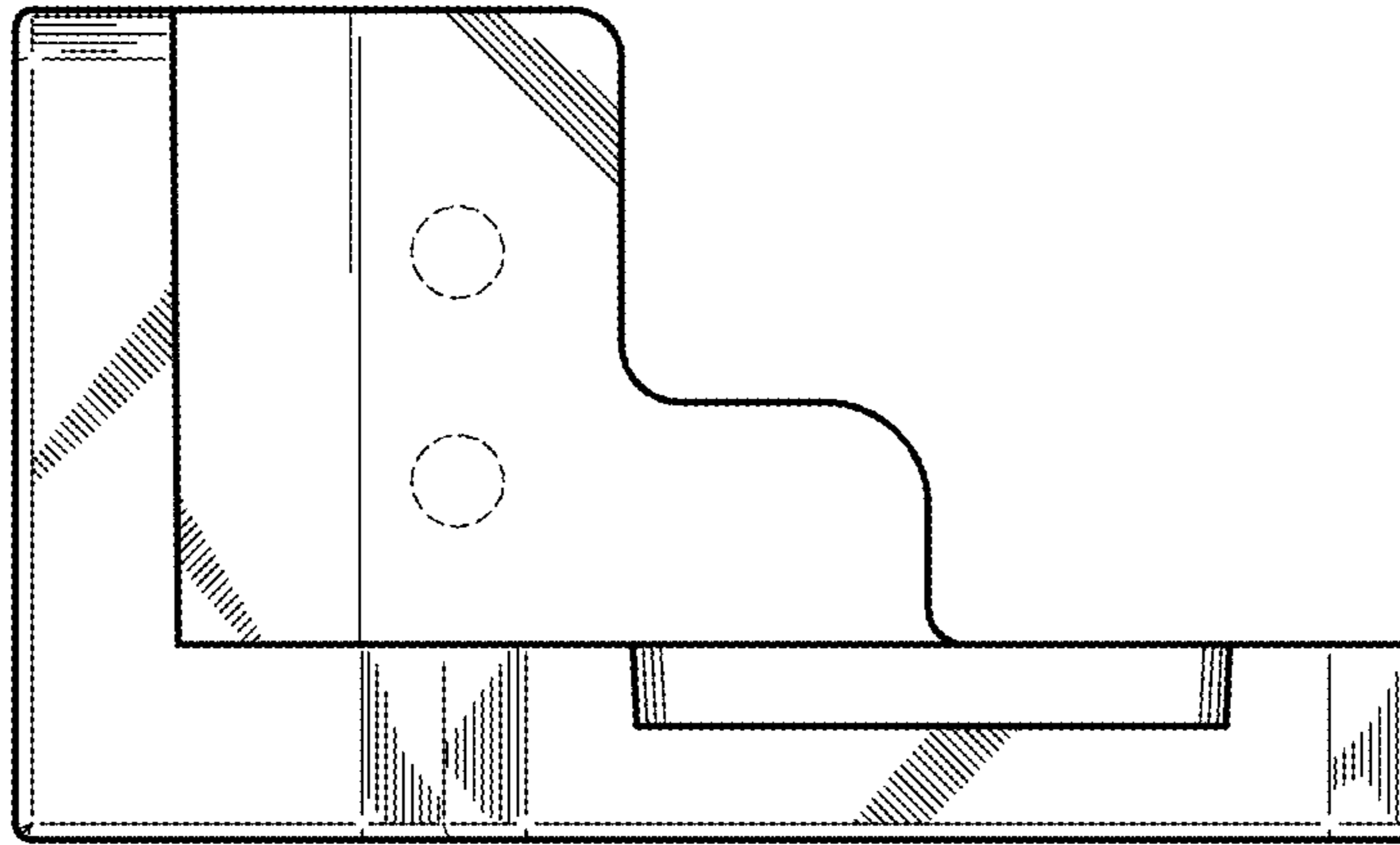


Fig. 17

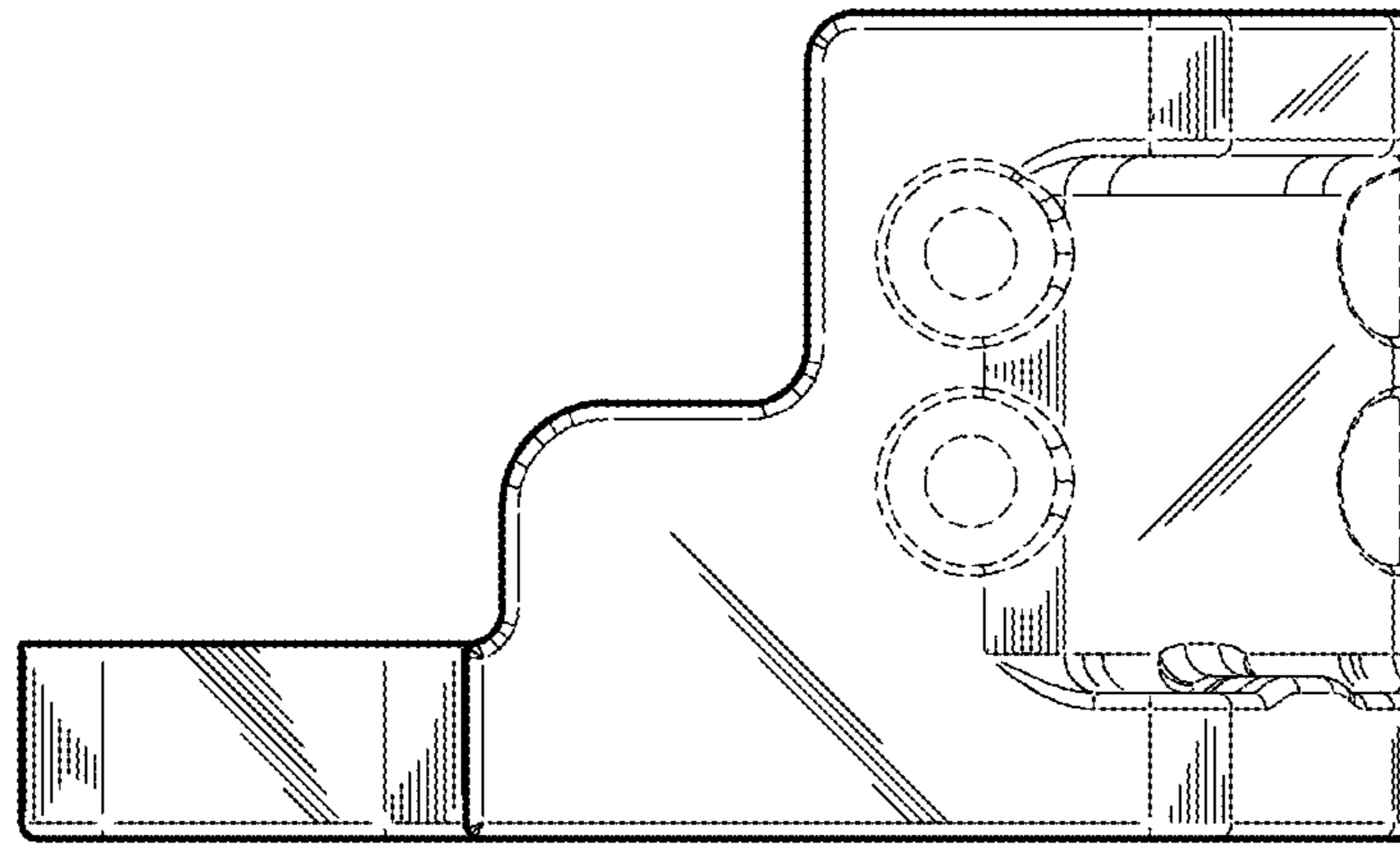


Fig. 18

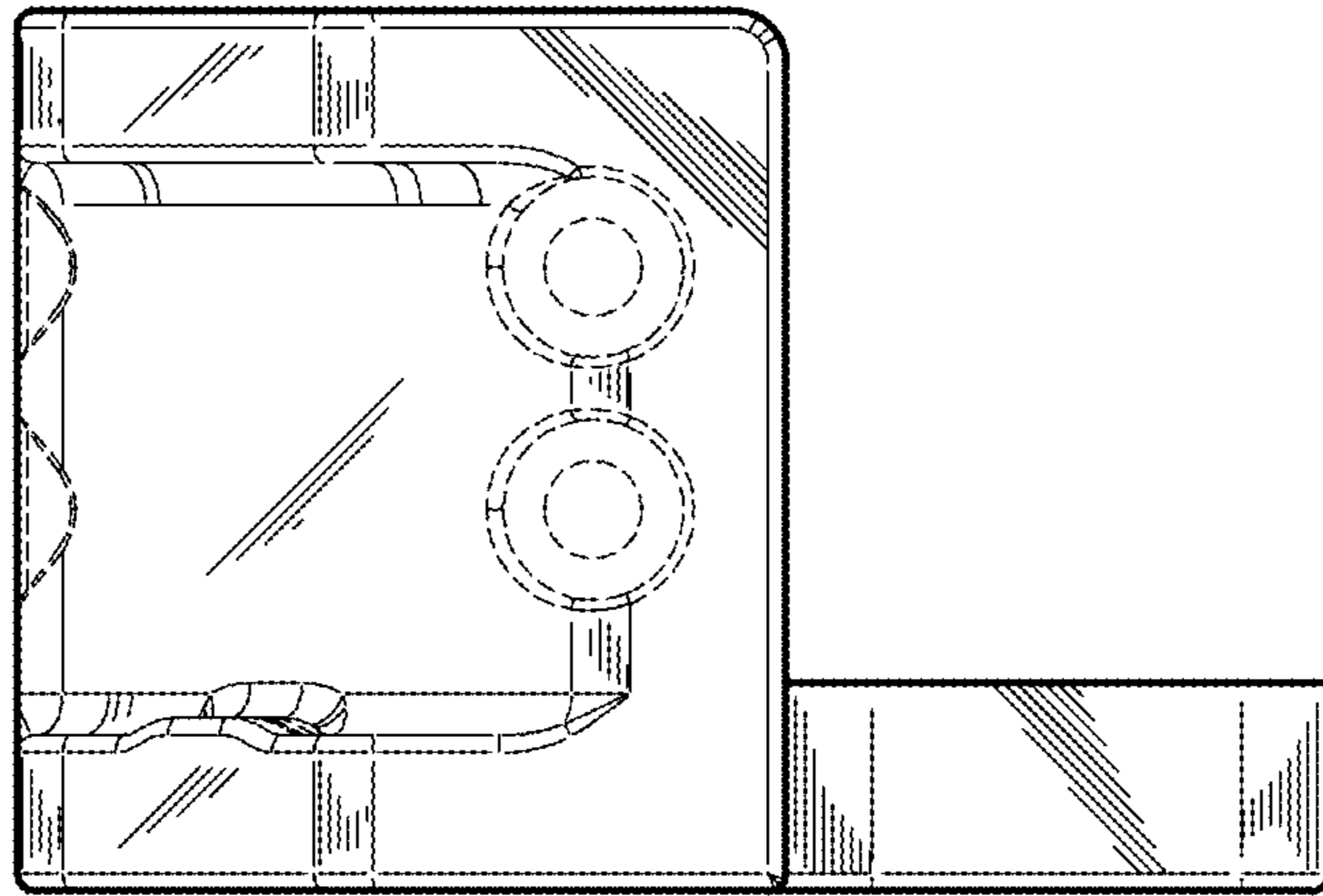


Fig. 19

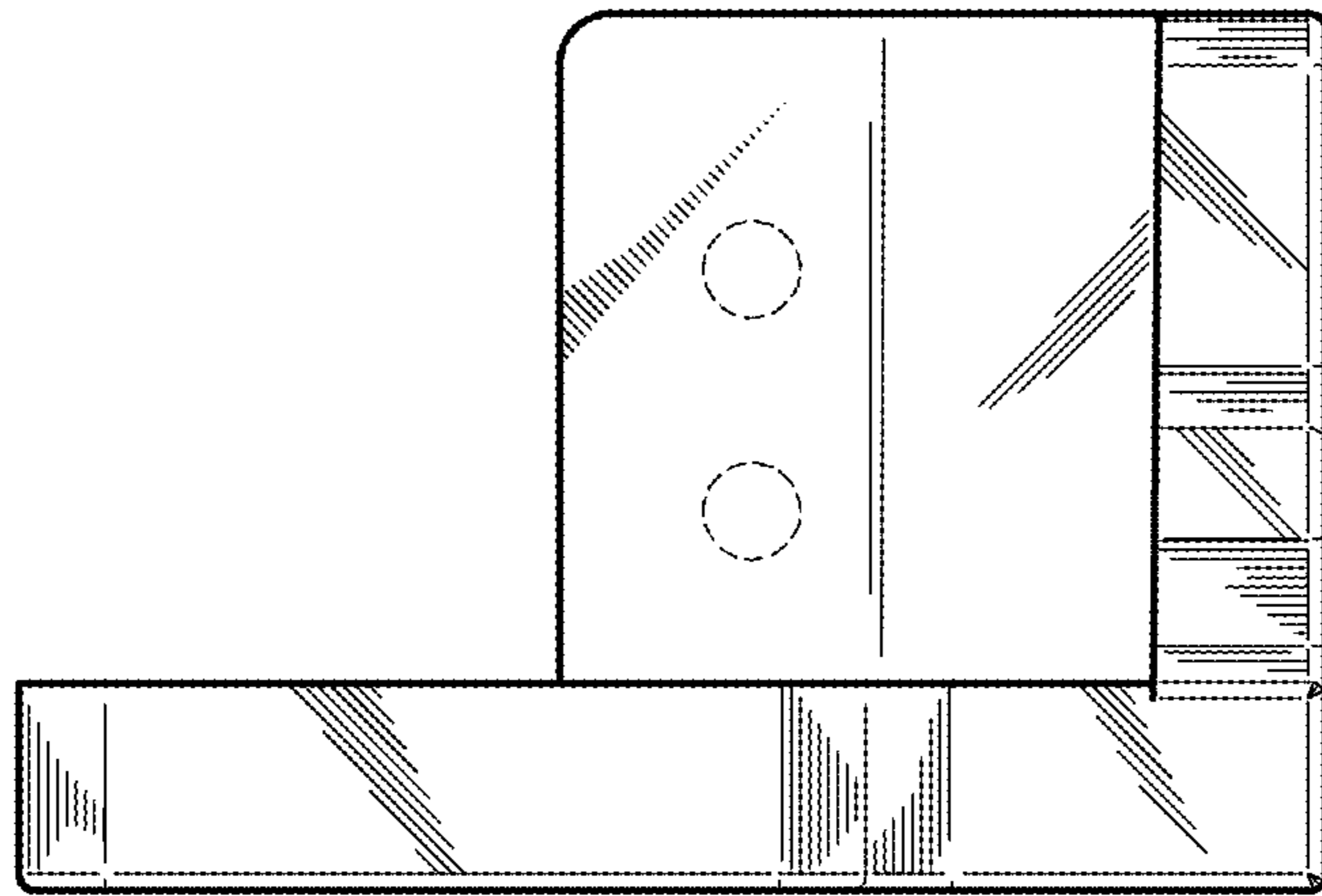


Fig. 20

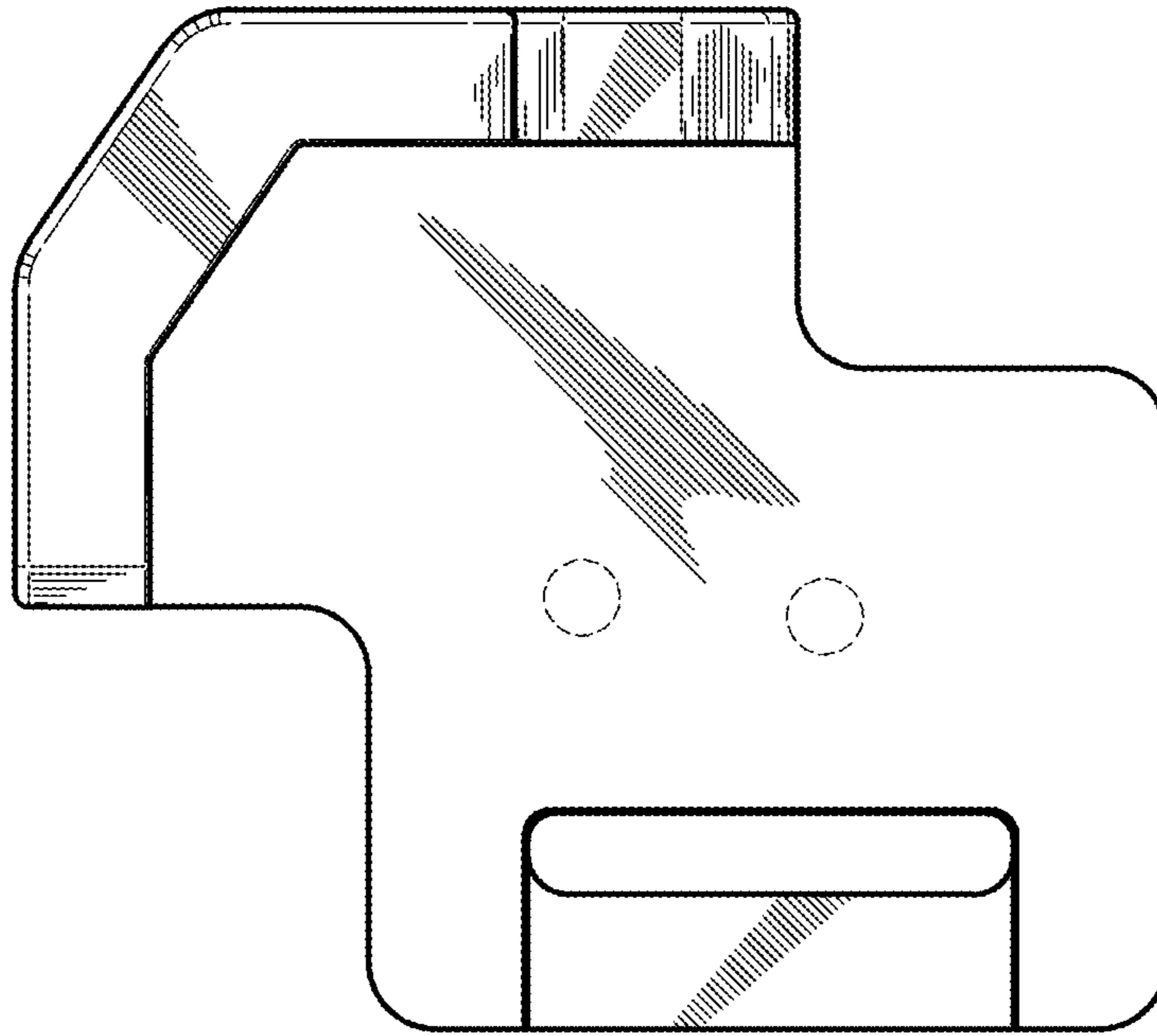


Fig. 21

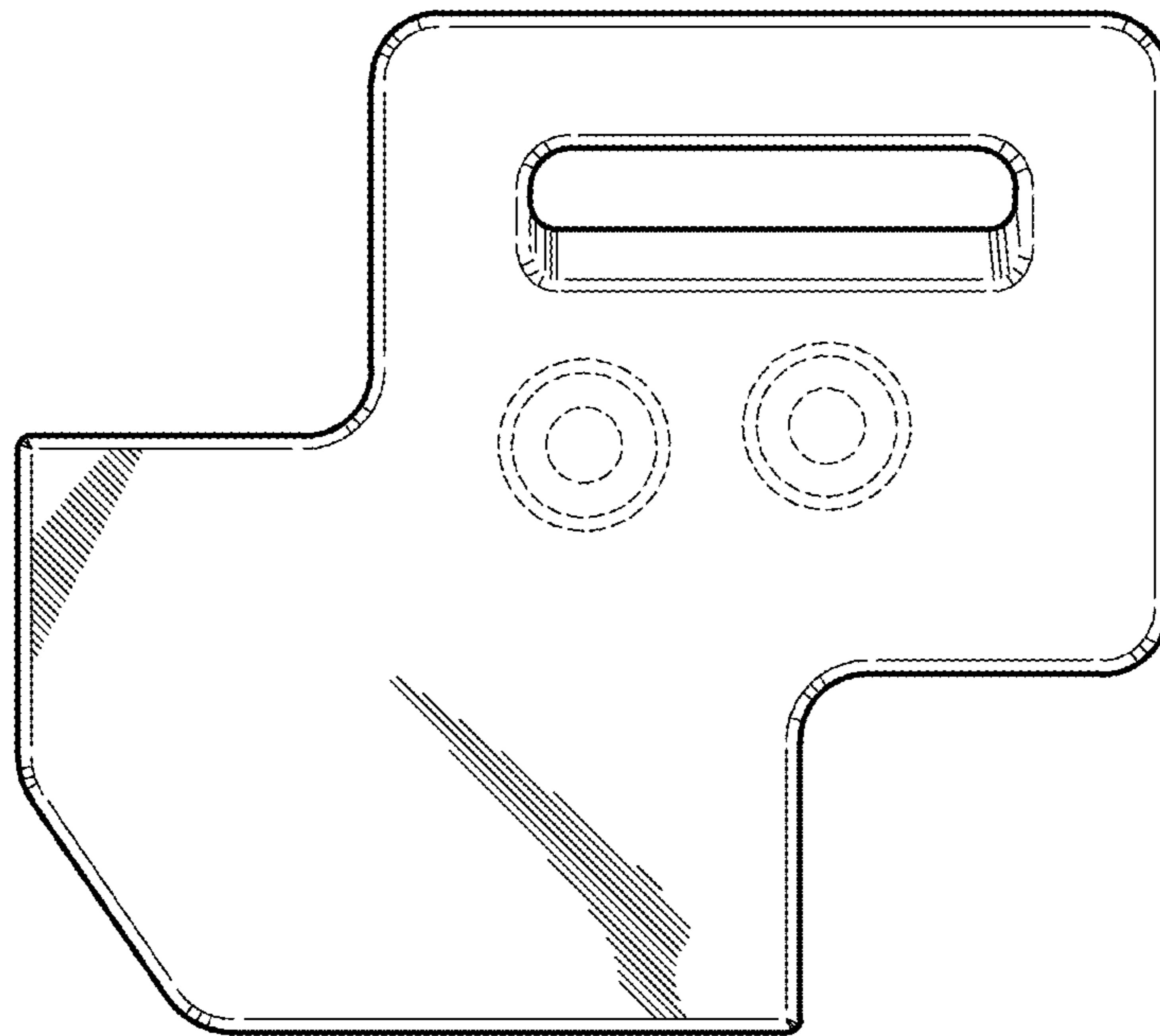


Fig. 22

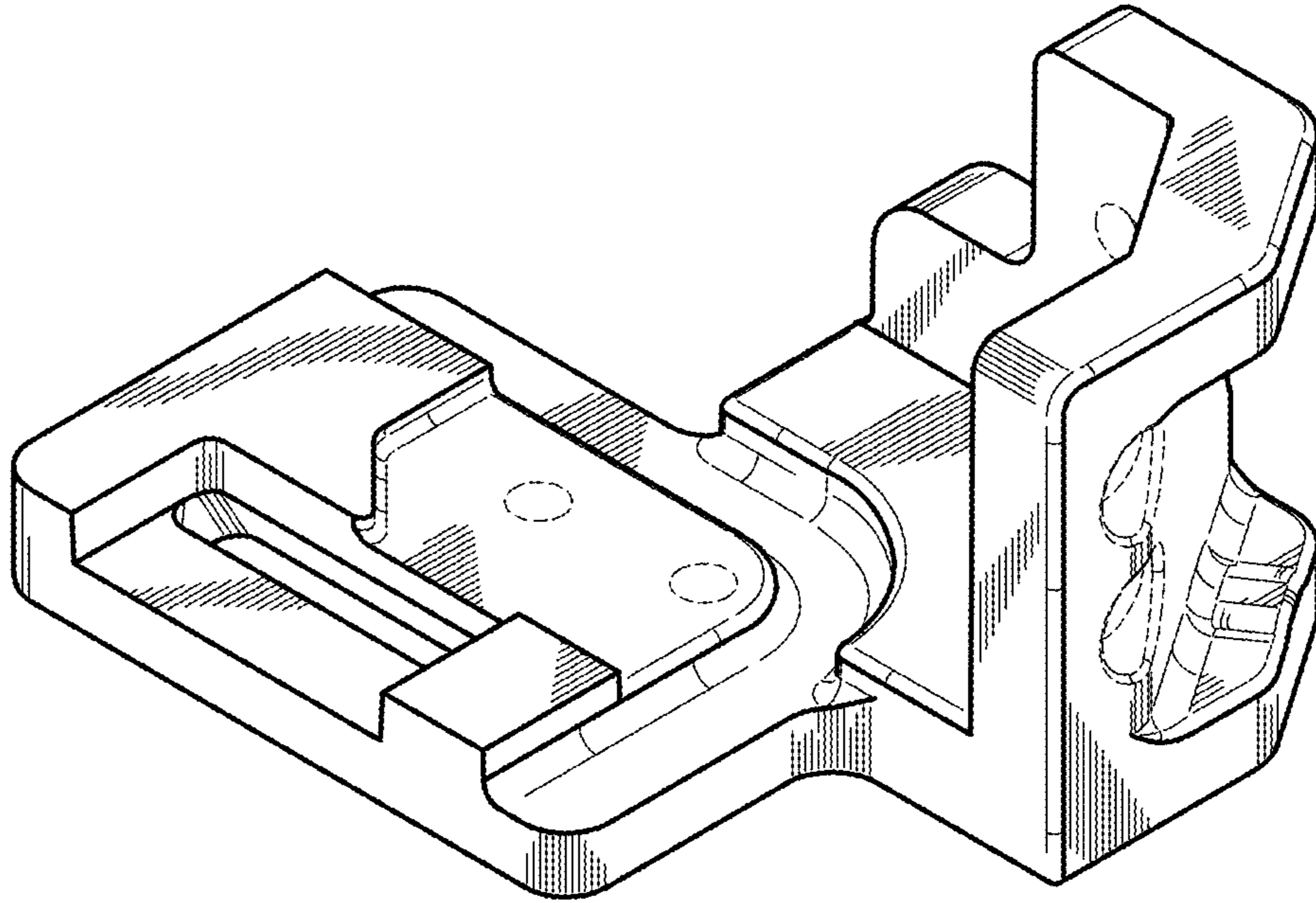


Fig. 23

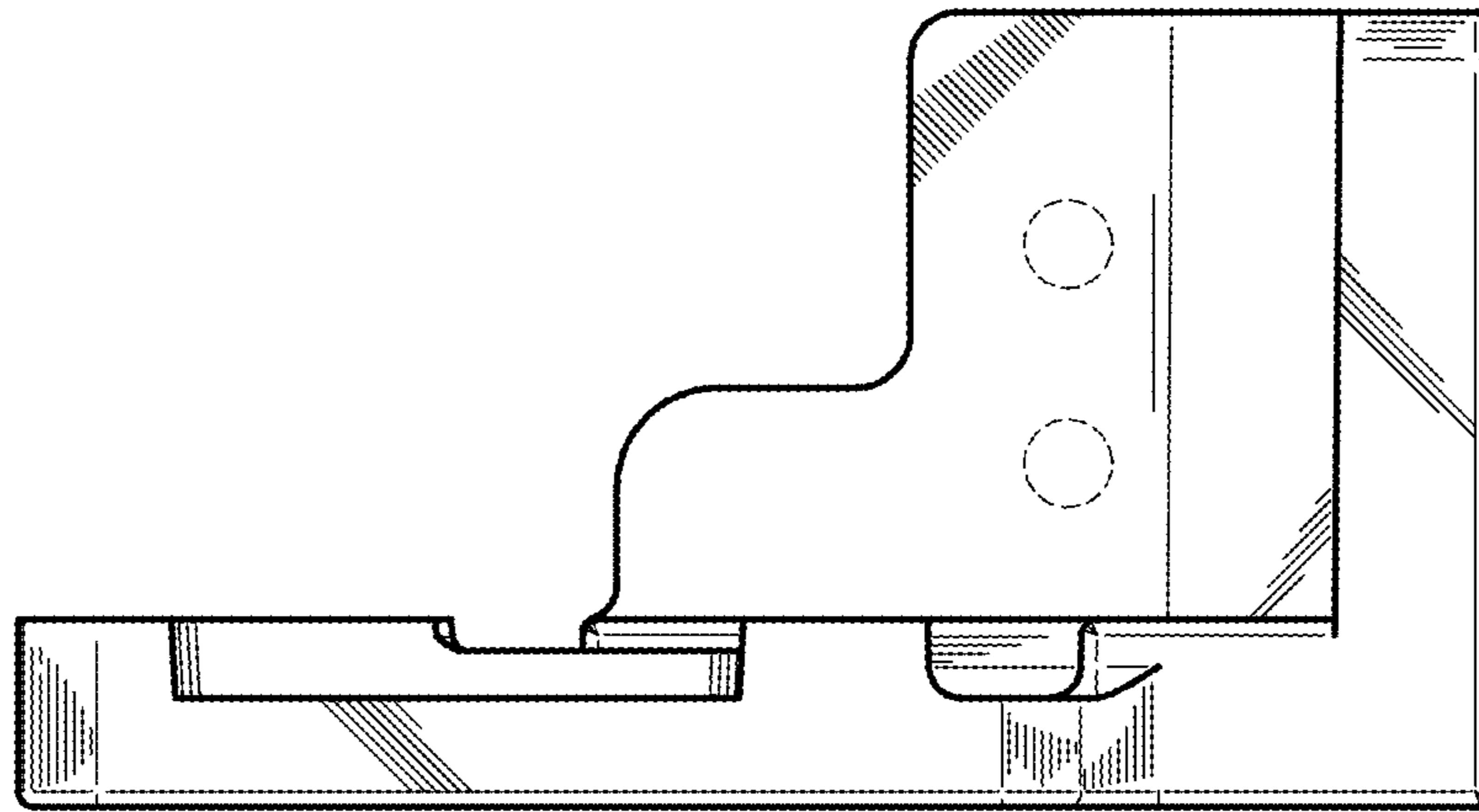


Fig. 24

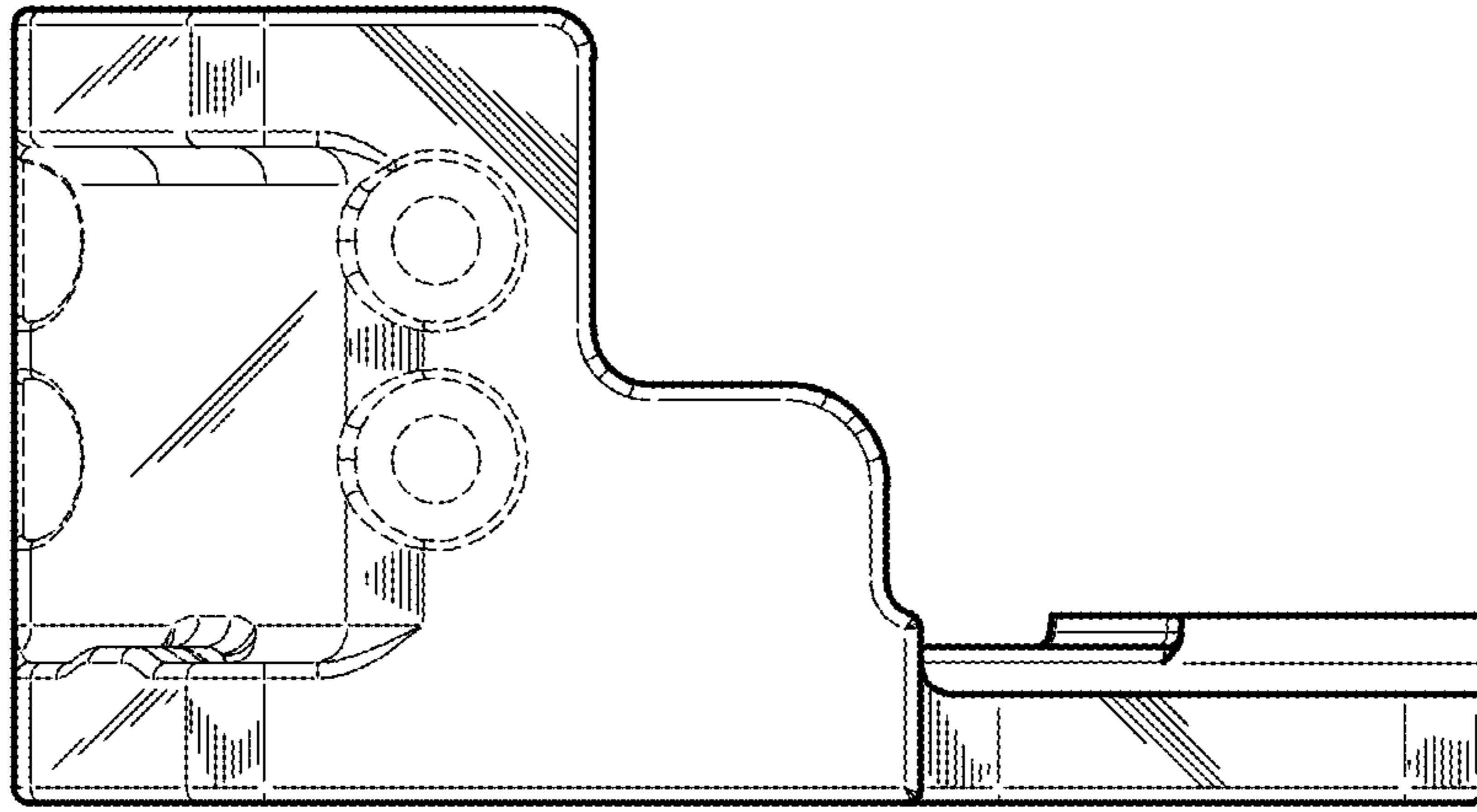


Fig. 25

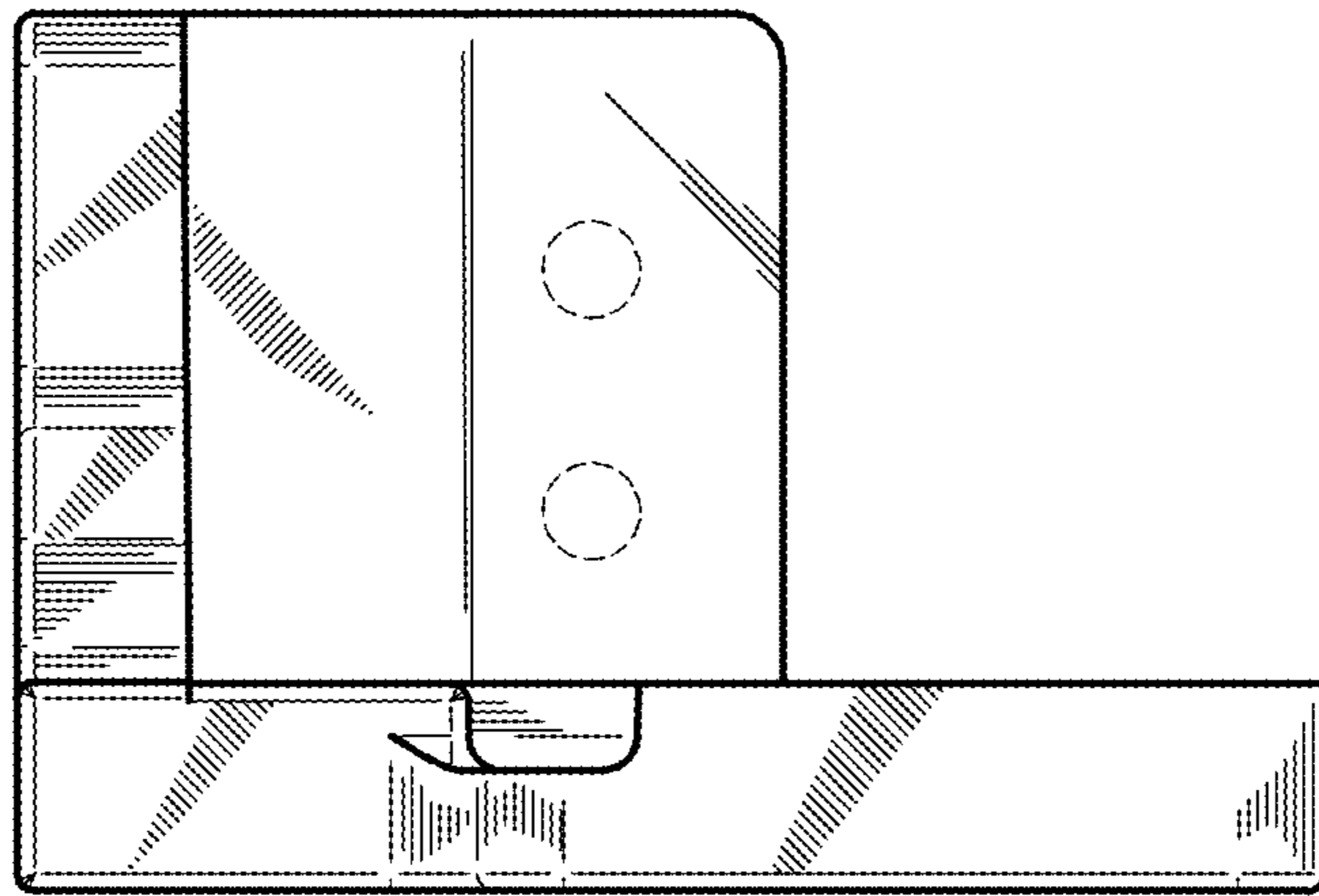


Fig. 26

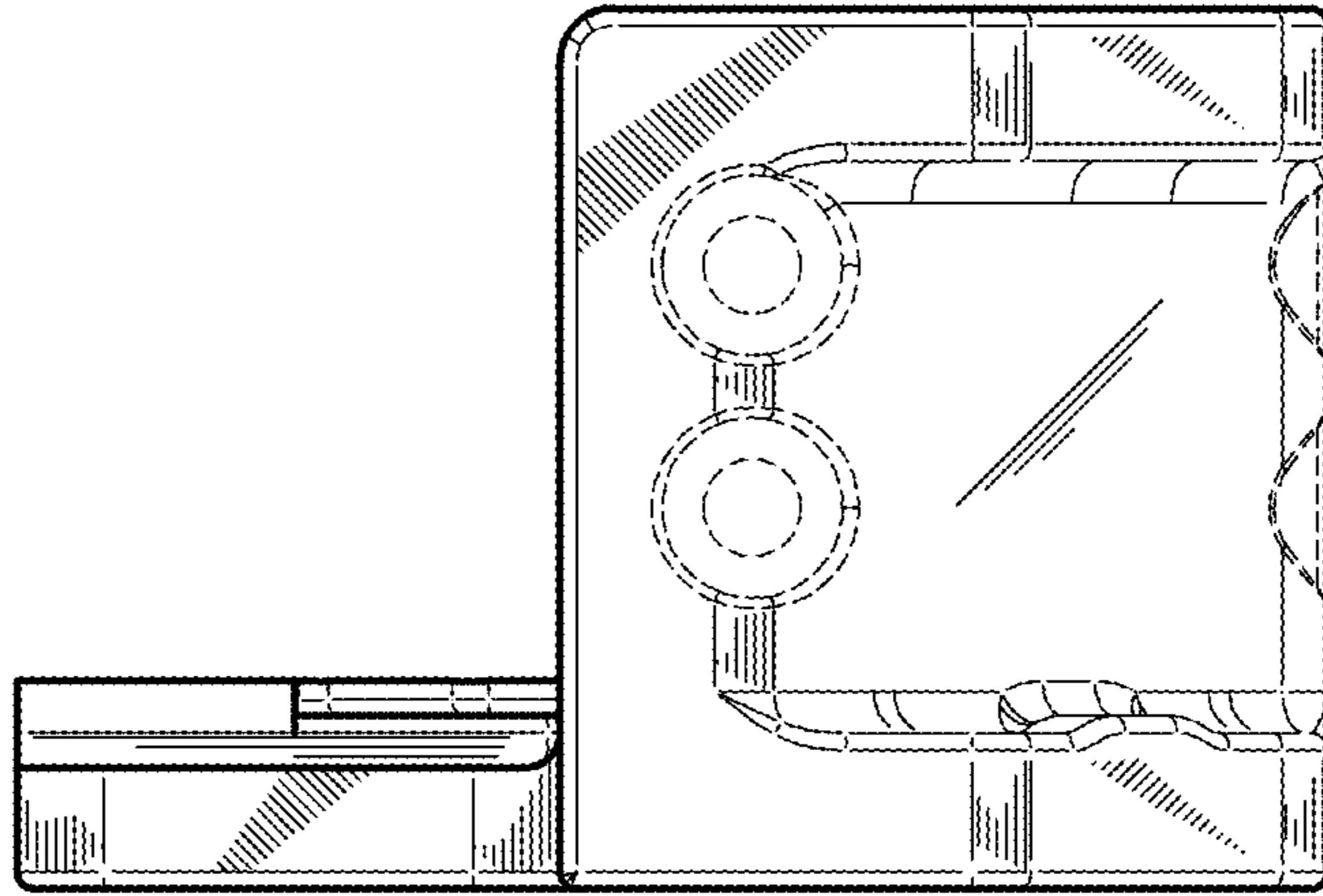


Fig. 27

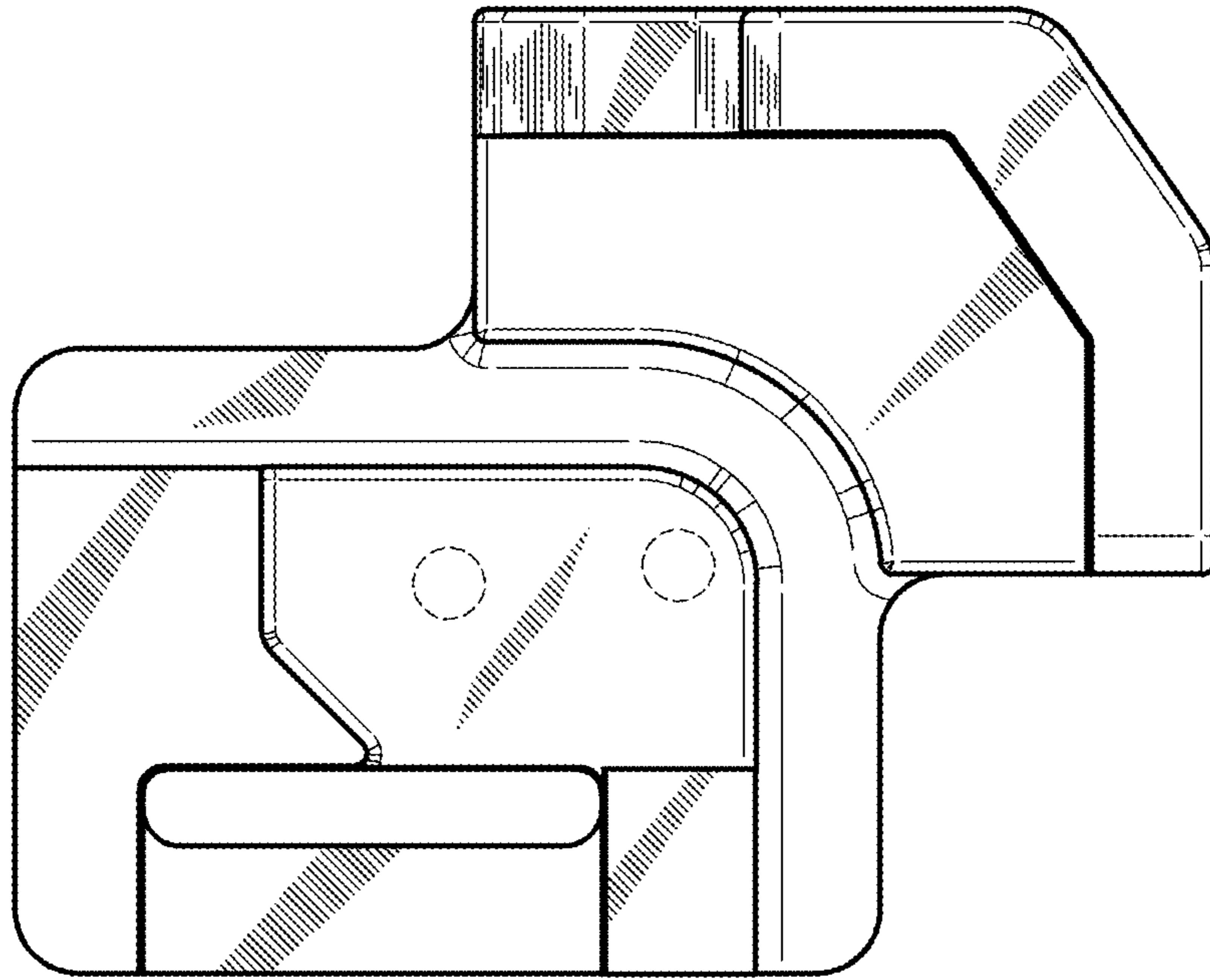


Fig. 28

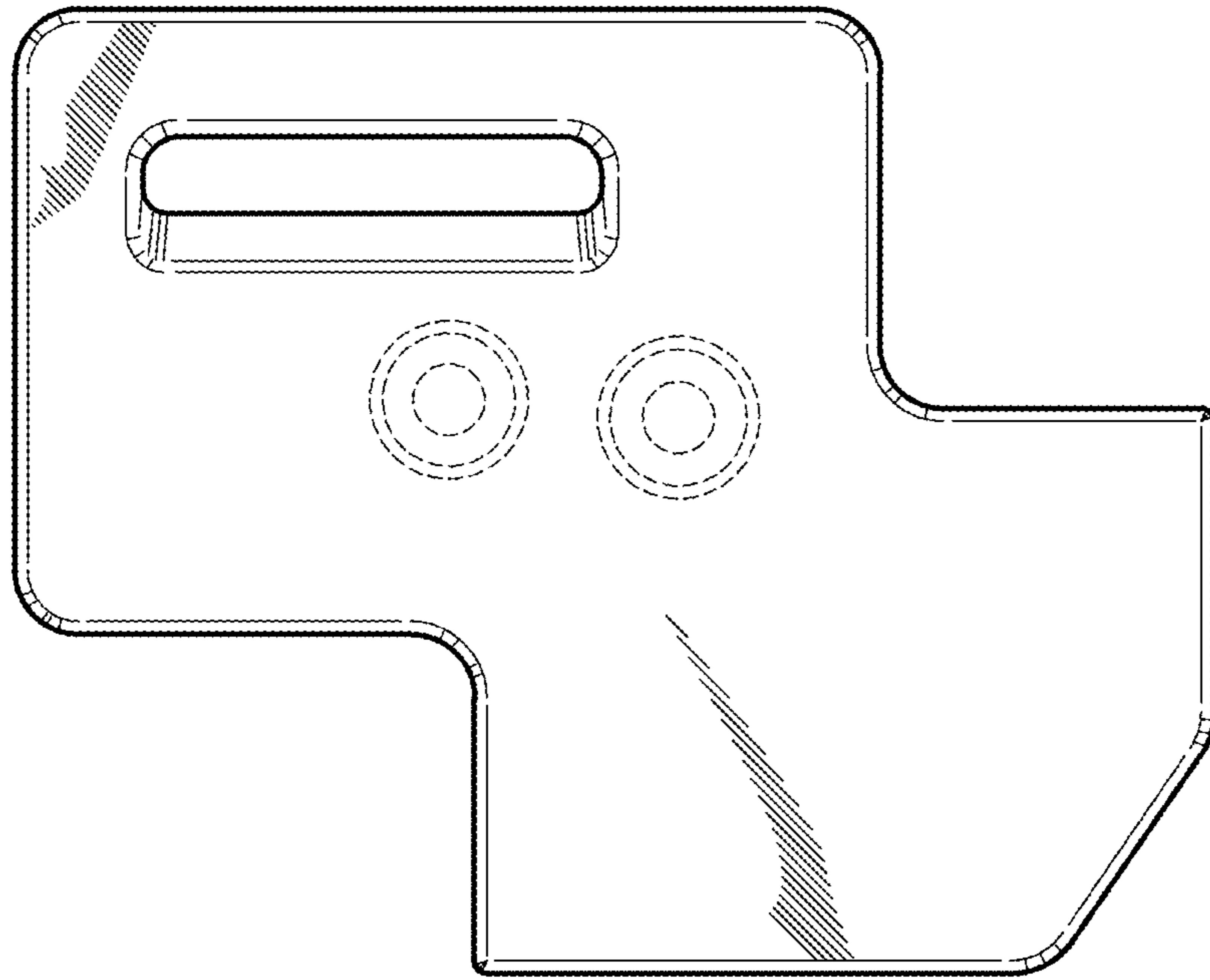


Fig. 29

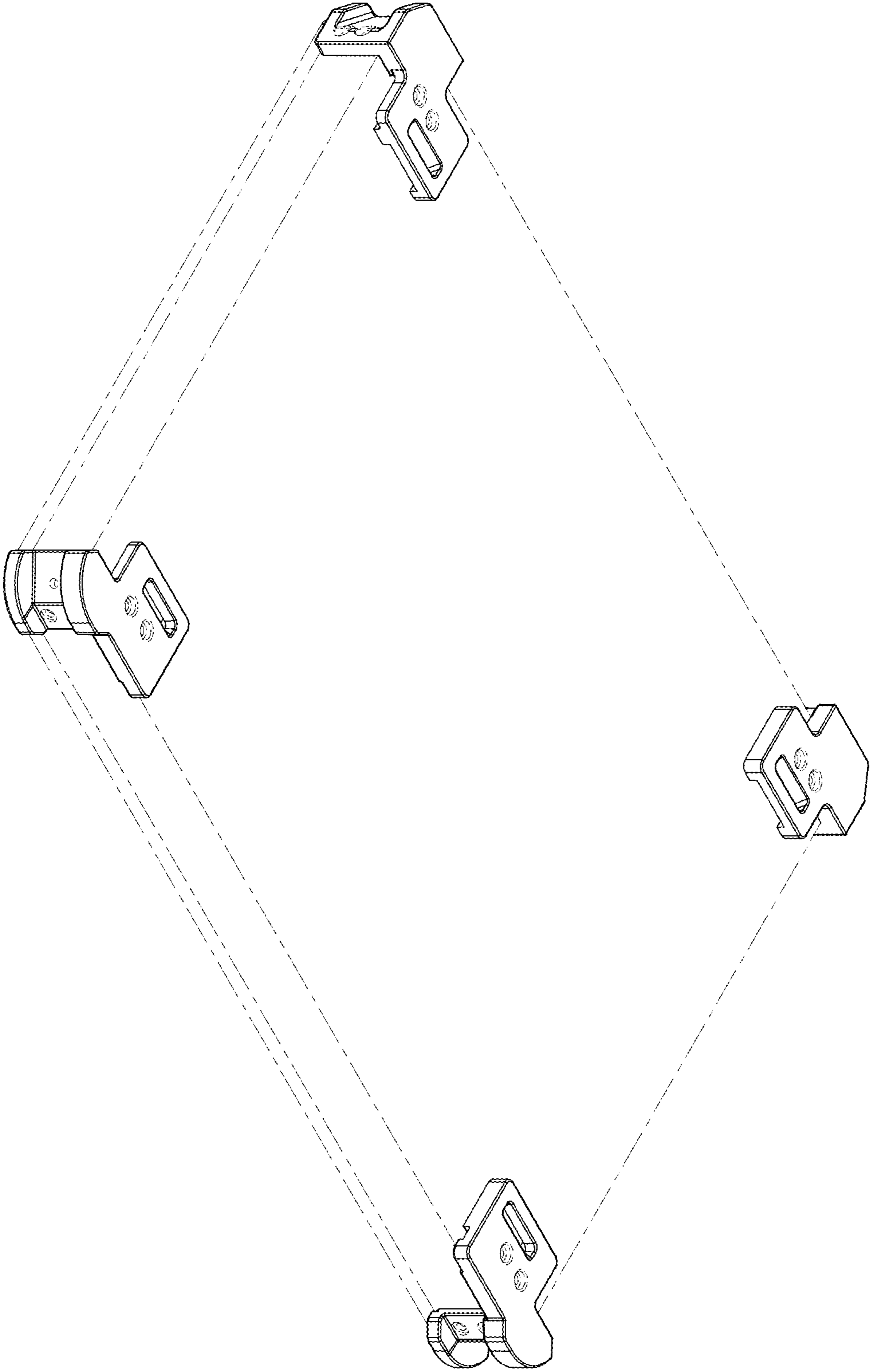


Fig. 30