



US00D920984S

(12) **United States Design Patent** (10) **Patent No.:** **US D920,984 S**  
**Howarth et al.** (45) **Date of Patent:** **\*\* Jun. 1, 2021**

(54) **DISPLAY STAND**

(56) **References Cited**

(71) Applicant: **Apple Inc.**, Cupertino, CA (US)

U.S. PATENT DOCUMENTS

(72) Inventors: **Richard P. Howarth**, San Francisco, CA (US); **Wesley Bryan Hamm**, San Francisco, CA (US); **Frederico F. Tio**, La Canada, CA (US); **Frank Craig Thaler**, Santa Cruz, CA (US); **Russell John Kaaihue Heirakuji**, Cupertino, CA (US)

D244,857 S *	6/1977	Hayes .....	D24/166
D314,501 S	2/1991	Pagano	
D407,408 S	3/1999	Hoff	
6,476,717 B1	11/2002	Gross et al.	
D510,358 S	10/2005	Ezure	
7,209,038 B1	4/2007	Deconinck et al.	
D542,279 S *	5/2007	Chan .....	D14/216
D545,826 S *	7/2007	Richter .....	D14/447
D589,962 S	4/2009	Maruyama et al.	
D590,184 S	4/2009	Barabas et al.	
D599,241 S	9/2009	Andre et al.	
D612,837 S *	3/2010	Murray .....	D14/216
7,724,135 B2	5/2010	Rapp et al.	
7,740,214 B2 *	6/2010	Marsilio et al. ....	248/178.1
D628,203 S *	11/2010	Noble .....	D14/447

(73) Assignee: **Apple Inc.**, Cupertino, CA (US)

(\*\*) Term: **14 Years**

(21) Appl. No.: **29/470,931**

(22) Filed: **Oct. 25, 2013**

**Related U.S. Application Data**

(63) Continuation of application No. 29/434,593, filed on Oct. 15, 2012, now Pat. No. Des. 696,259.

(51) **LOC (13) Cl.** ..... **08-07**

(52) **U.S. Cl.**  
USPC ..... **D14/447**

(58) **Field of Classification Search**  
USPC ..... D14/432, 433, 434, 439, 440, 451, 452, D14/239, 217, 224.1, 251, 252, 253, 457, D14/458, 459, 460, 461, 447; D6/406.1, D6/406.2, 406.3, 406.4, 406.5, 406.6; 361/679.06, 679.21, 679.22, 679.24, 361/679.26, 679.27, 679.28, 679.3, 361/679.55, 679.56, 709; 248/917-924, 248/133, 136, 139, 150, 176.1, 188.6; D13/108, 110  
CPC ..... A47B 21/04; A47B 2097/006; A47B 2097/005; A47B 2023/049; A45C 2011/002; A45C 2011/003; F16M 2200/00; F16M 13/00

See application file for complete search history.

(Continued)

*Primary Examiner* — Angela J Lee

(74) *Attorney, Agent, or Firm* — Sterne, Kessler, Goldstein & Fox P.L.L.C.

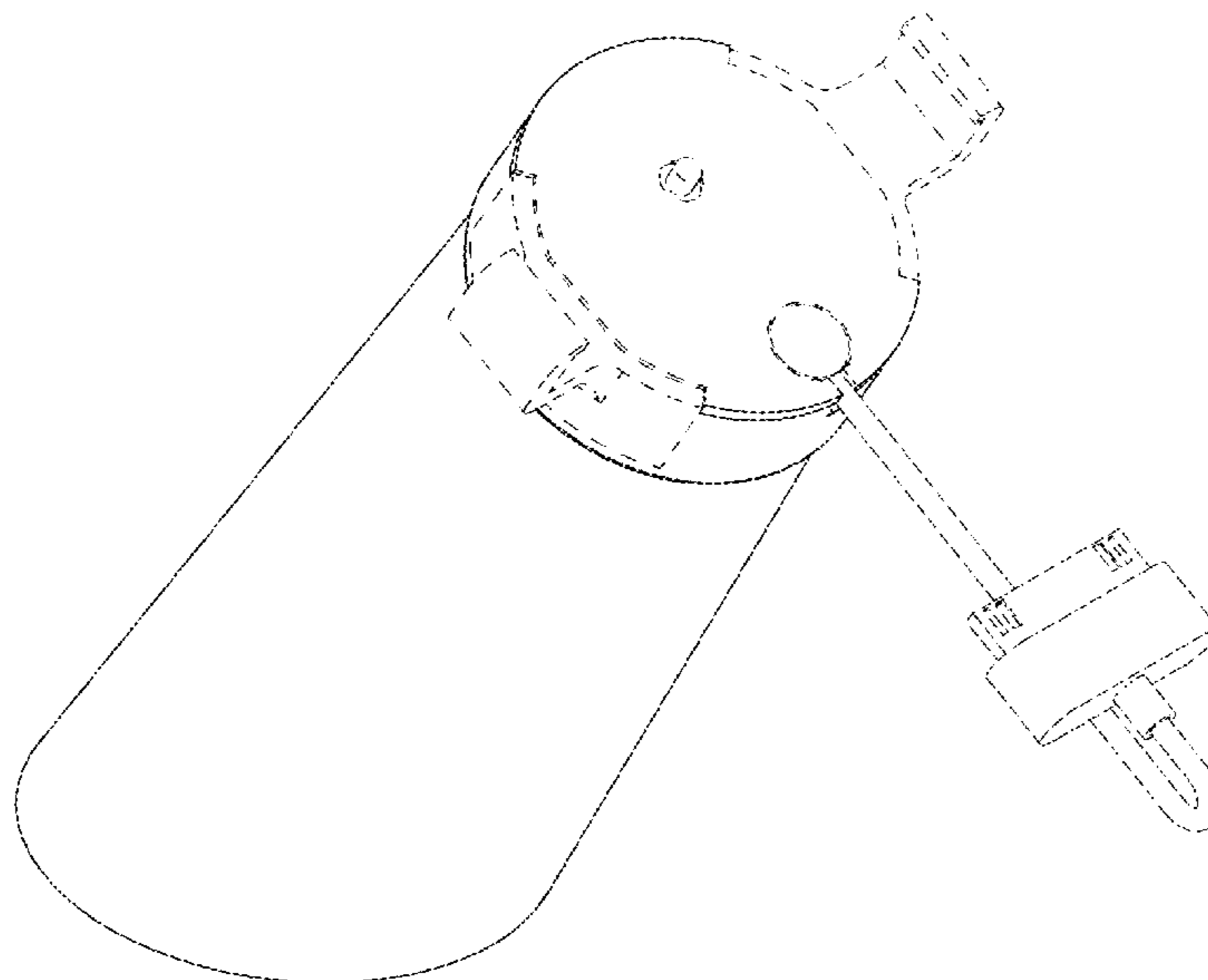
(57) **CLAIM**

The ornamental design for a display stand, as shown and described.

**DESCRIPTION**

FIG. 1 is a top front perspective view of a display stand showing our new design;  
FIG. 2 is a front view thereof;  
FIG. 3 is a rear view thereof;  
FIG. 4 is a right side view thereof;  
FIG. 5 is a left side view thereof;  
FIG. 6 is a top view thereof; and,  
FIG. 7 is a bottom view thereof.  
The dashed broken lines in the Figures show portions of the display stand and environment that form no part of the claimed design.

**1 Claim, 7 Drawing Sheets**



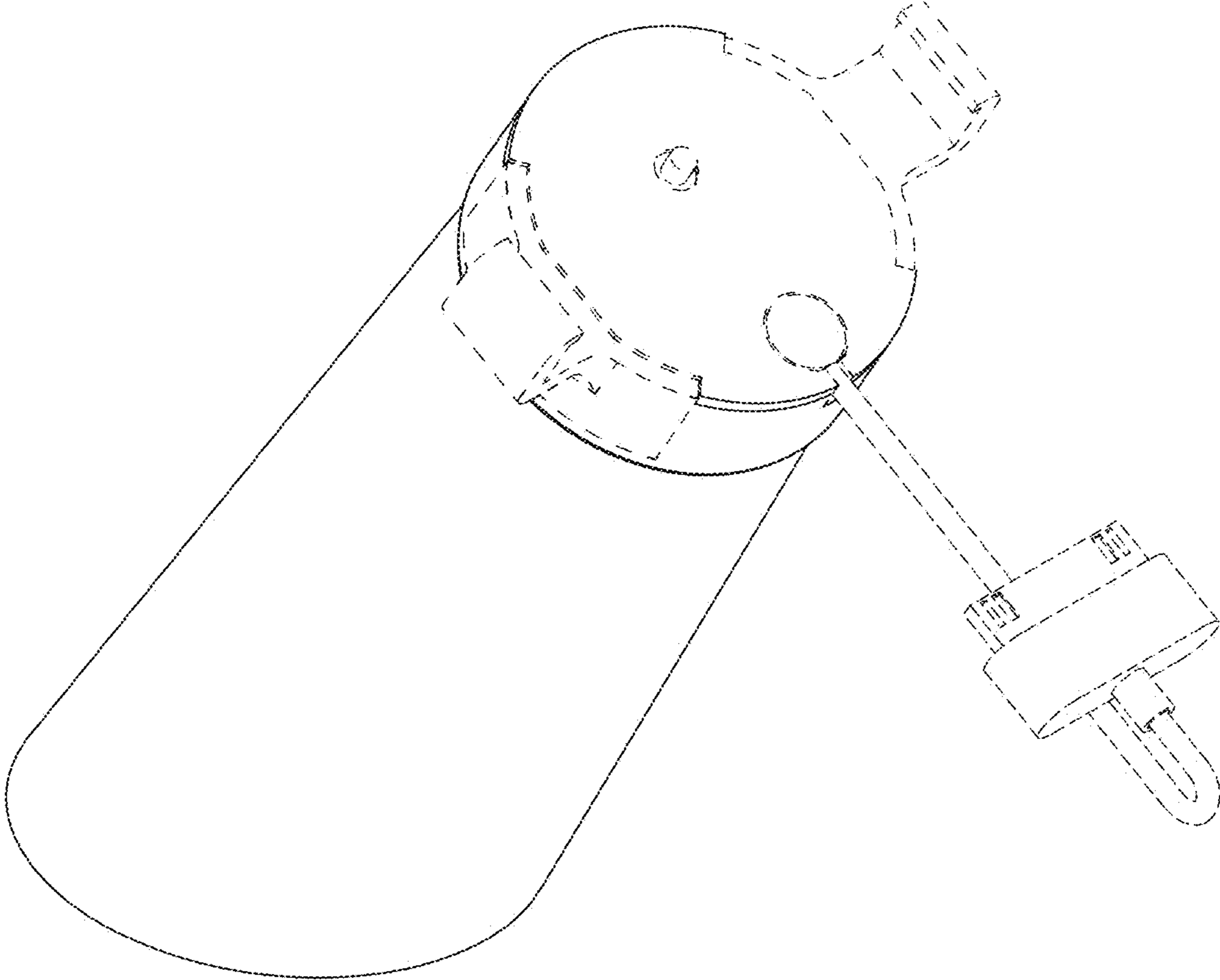
(56)

**References Cited**

U.S. PATENT DOCUMENTS

D629,405	S	12/2010	Crysell	
D645,047	S	9/2011	Wike	
8,020,816	B2	9/2011	Laitila et al.	
D652,422	S	1/2012	Cheng	
8,087,625	B2	1/2012	Chang	
8,145,821	B2	3/2012	Mead et al.	
D663,972	S	7/2012	Alexander et al.	
D696,259	S *	12/2013	Howarth et al.	D14/447
D696,674	S *	12/2013	Vogel	D14/447
D704,199	S *	5/2014	Byun	D14/447
D709,066	S *	7/2014	Byun	D14/253
2011/0047844	A1	3/2011	Fawcett et al.	
2011/0084838	A1 *	4/2011	Fawcett	340/568.8
2011/0187531	A1	8/2011	Oehl et al.	

\* cited by examiner



**FIG. 1**

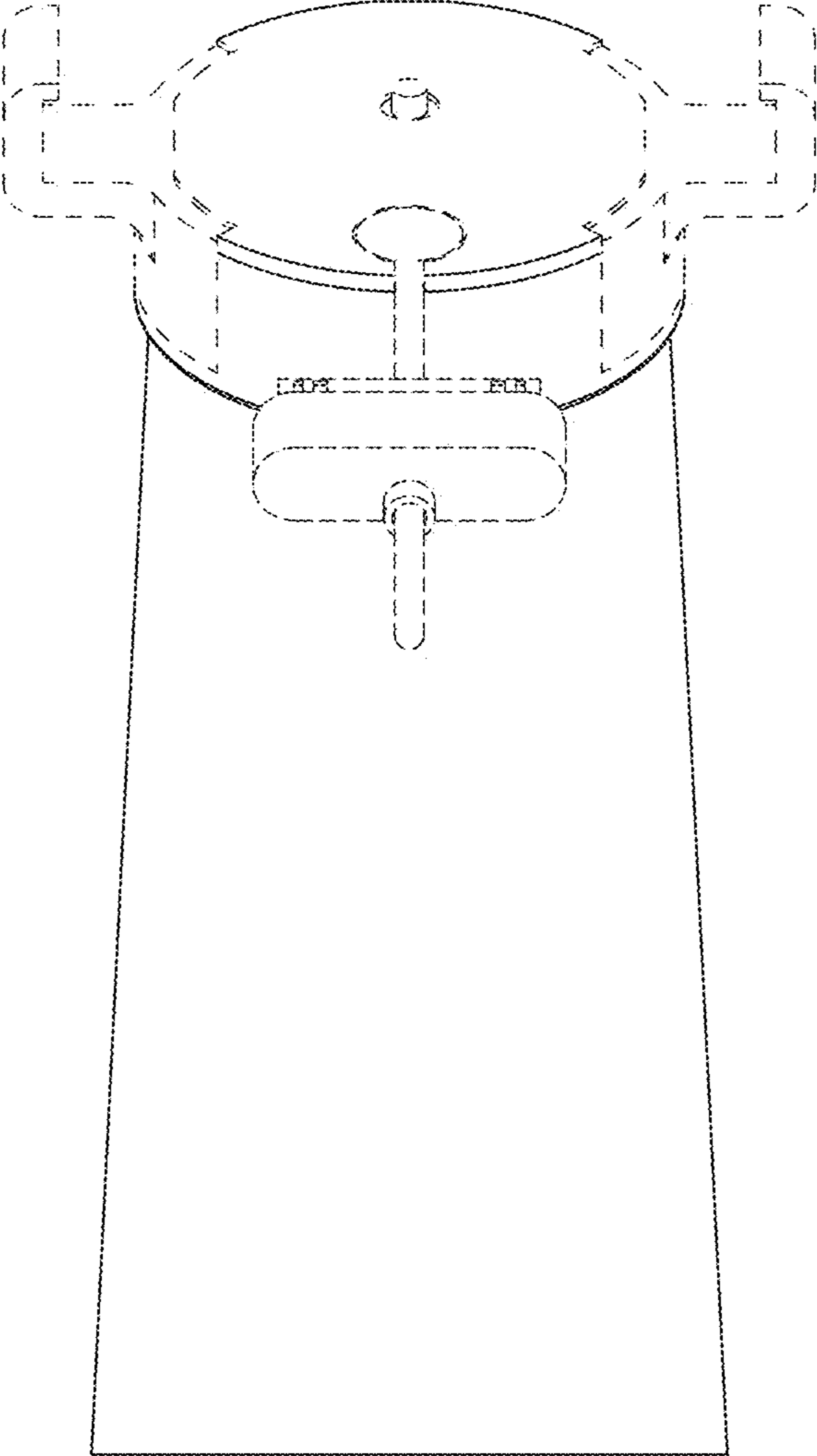
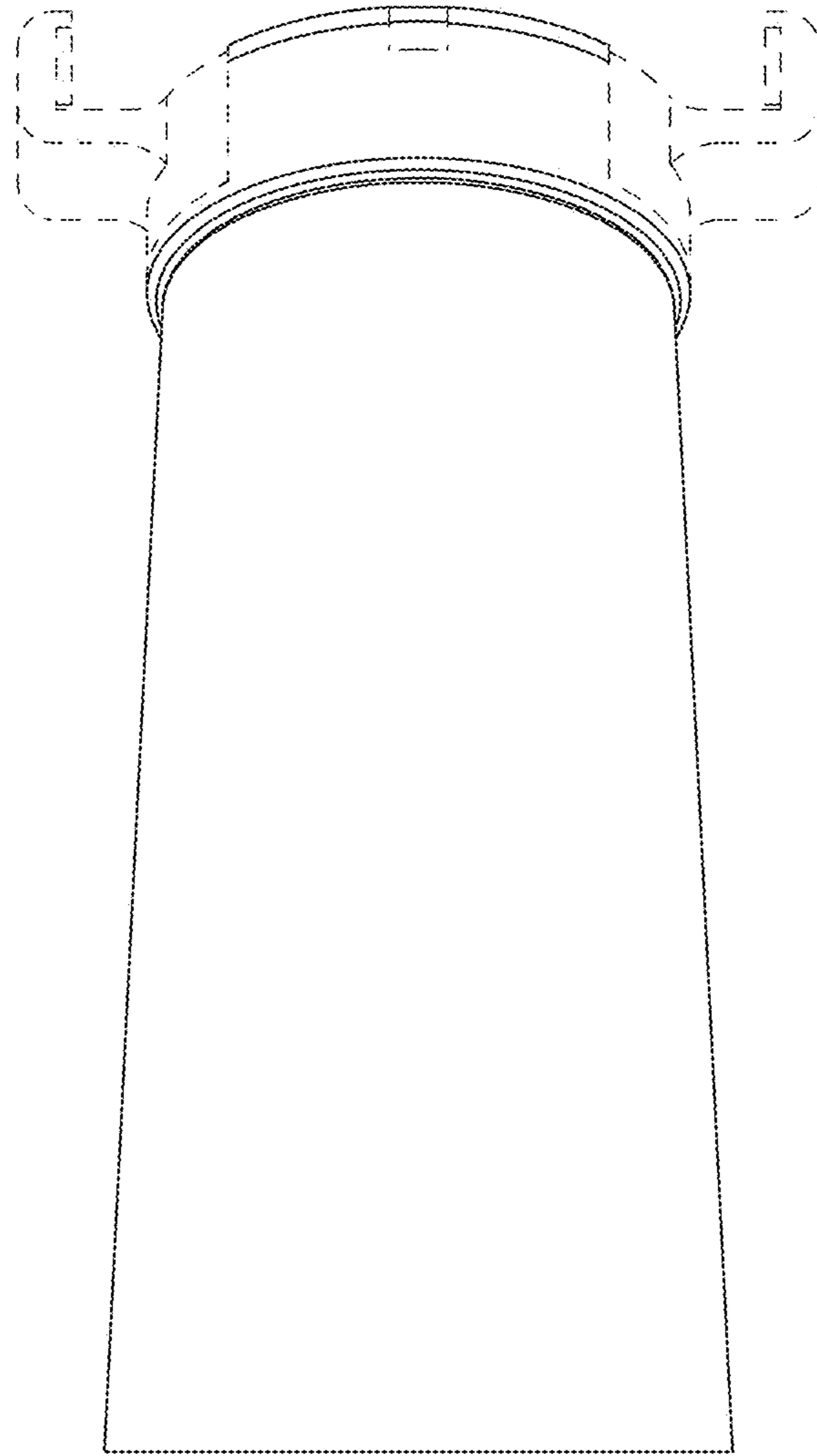


FIG. 2



**FIG. 3**

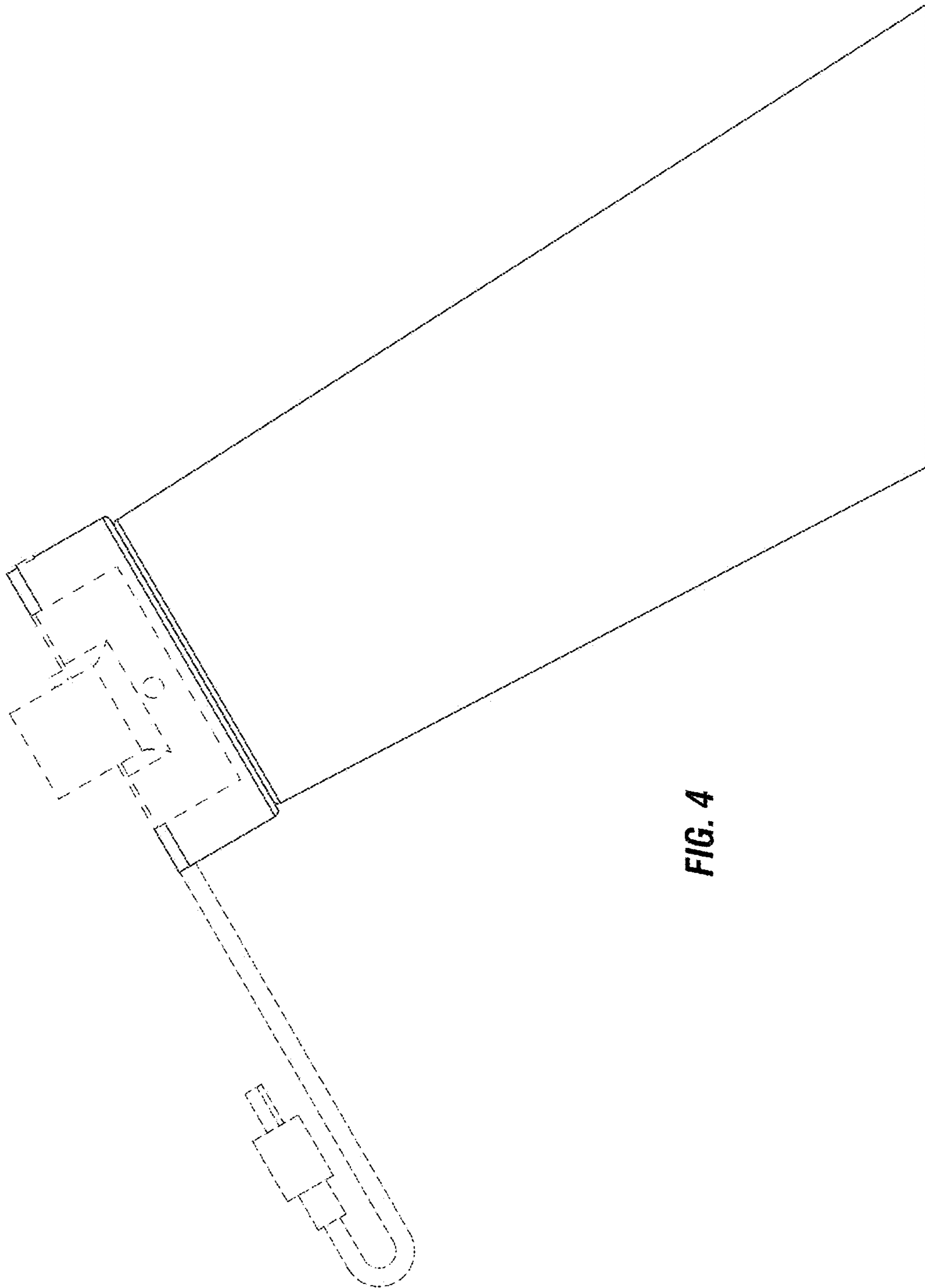


FIG. 4

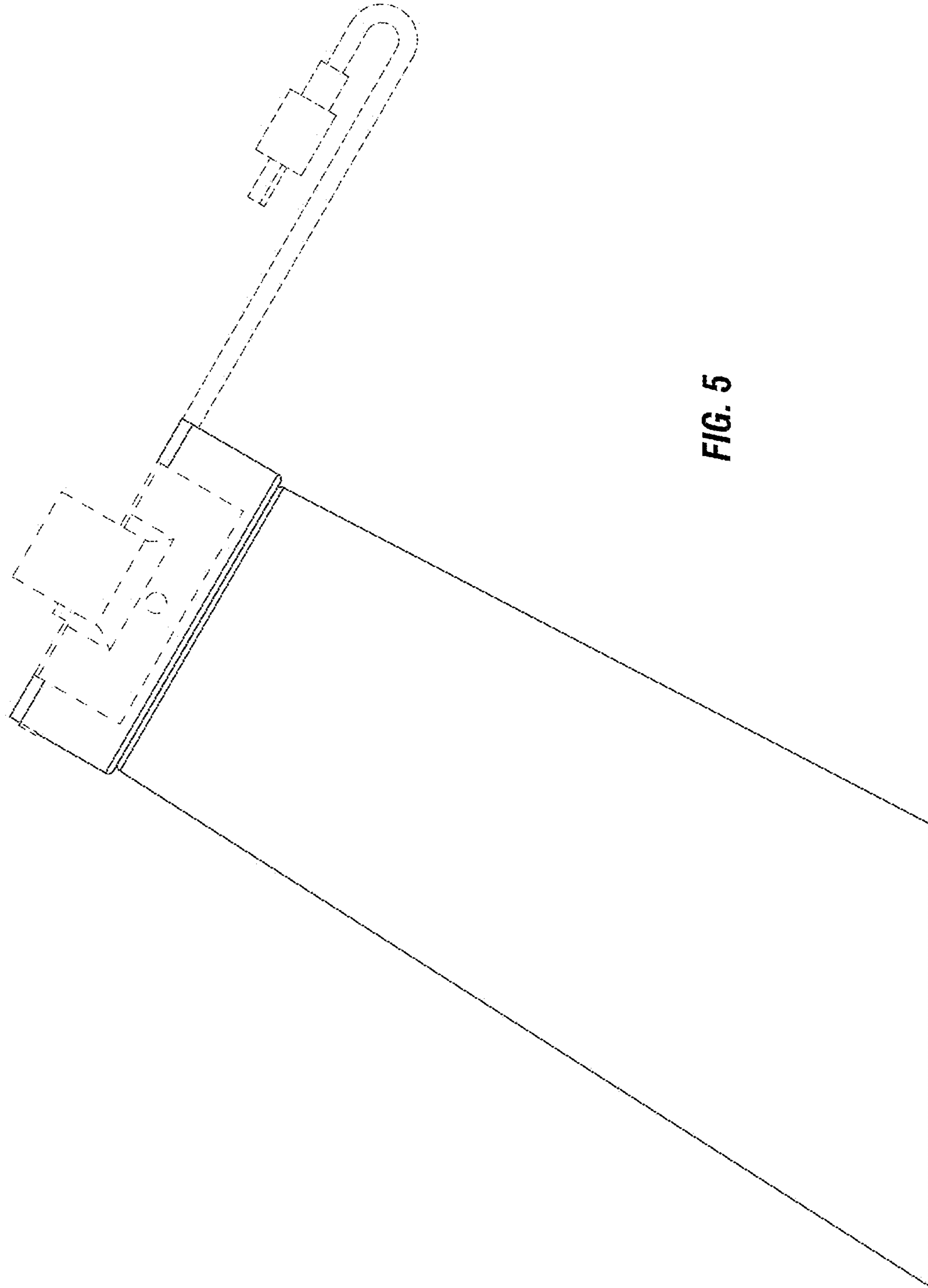


FIG. 5

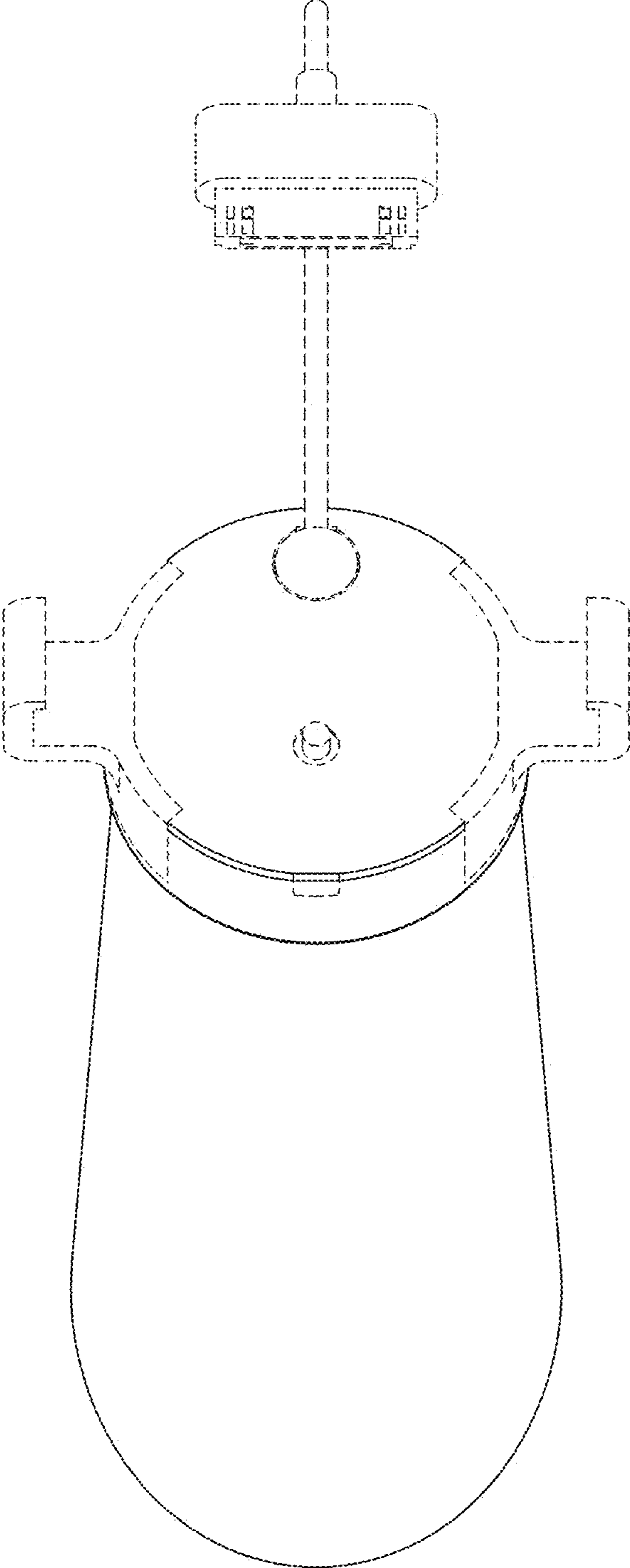
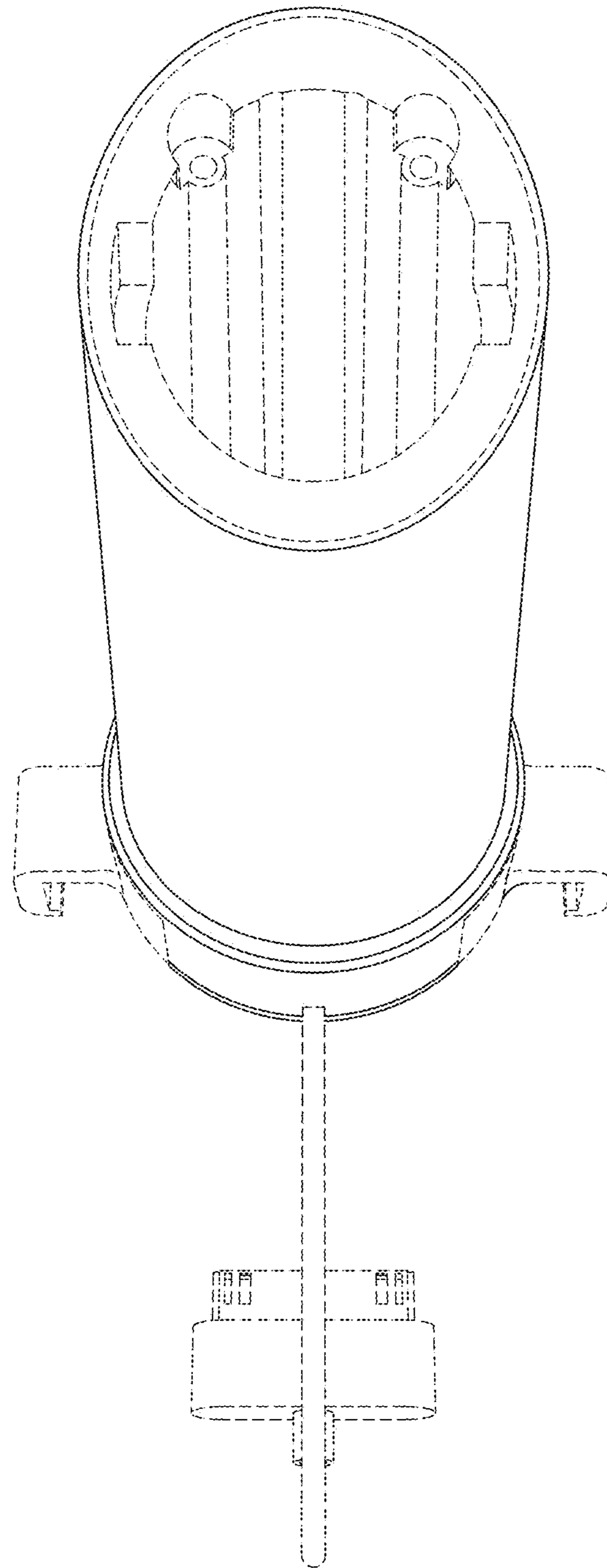


FIG. 6





**FIG. 7**