



US00D920982S

(12) **United States Design Patent** (10) **Patent No.:** **US D920,982 S**
Xu (45) **Date of Patent:** **** Jun. 1, 2021**

(54) **PORTABLE ELECTRONIC DEVICE CASE**

OTHER PUBLICATIONS

(71) Applicant: **Zhaohong Xu**, Shenzhen (CN)

Zhaohong Xu, Portable Electronic Device Case, https://www.amazon.de/dp/B08LKRLDVB?ref=myi_title_dp https://www.amazon.com.mx/dp/B08J2FXWFX?ref=myi_title_dp <https://www.amazon.com/gp/product/B08JTWDK52> https://www.amazon.de/dp/B08LKRLDVB?ref=myi_title_dp
https://www.amazon.co.uk/dp/B08JSL9NLK?ref=myi_title_dp&th=1
https://www.amazon.com.mx/dp/B08J2FXWFX?ref=myi_title_dp
<https://www.amazon.com/gp/product/B08JTWDK52>
https://www.amazon.de/dp/B08LKRLDVB?ref=myi_title_dp

(72) Inventor: **Zhaohong Xu**, Shenzhen (CN)

(**) Term: **15 Years**

(21) Appl. No.: **29/759,125**

(22) Filed: **Nov. 20, 2020**

(51) **LOC (13) Cl.** **14-02**

(52) **U.S. Cl.**
USPC **D14/440; D14/316**

(58) **Field of Classification Search**
USPC D14/440, 447, 250; 206/45.23, 320,
206/45.2; 361/679.55; 294/25; 224/218

CPC ... G06F 1/1628; G06F 1/1626; A47B 23/044;
H04B 1/3888

See application file for complete search history.

* cited by examiner

Primary Examiner — Cynthia R Underwood

(57) **CLAIM**

The ornamental design for a portable electronic device case, as shown and described.

(56) **References Cited**

DESCRIPTION

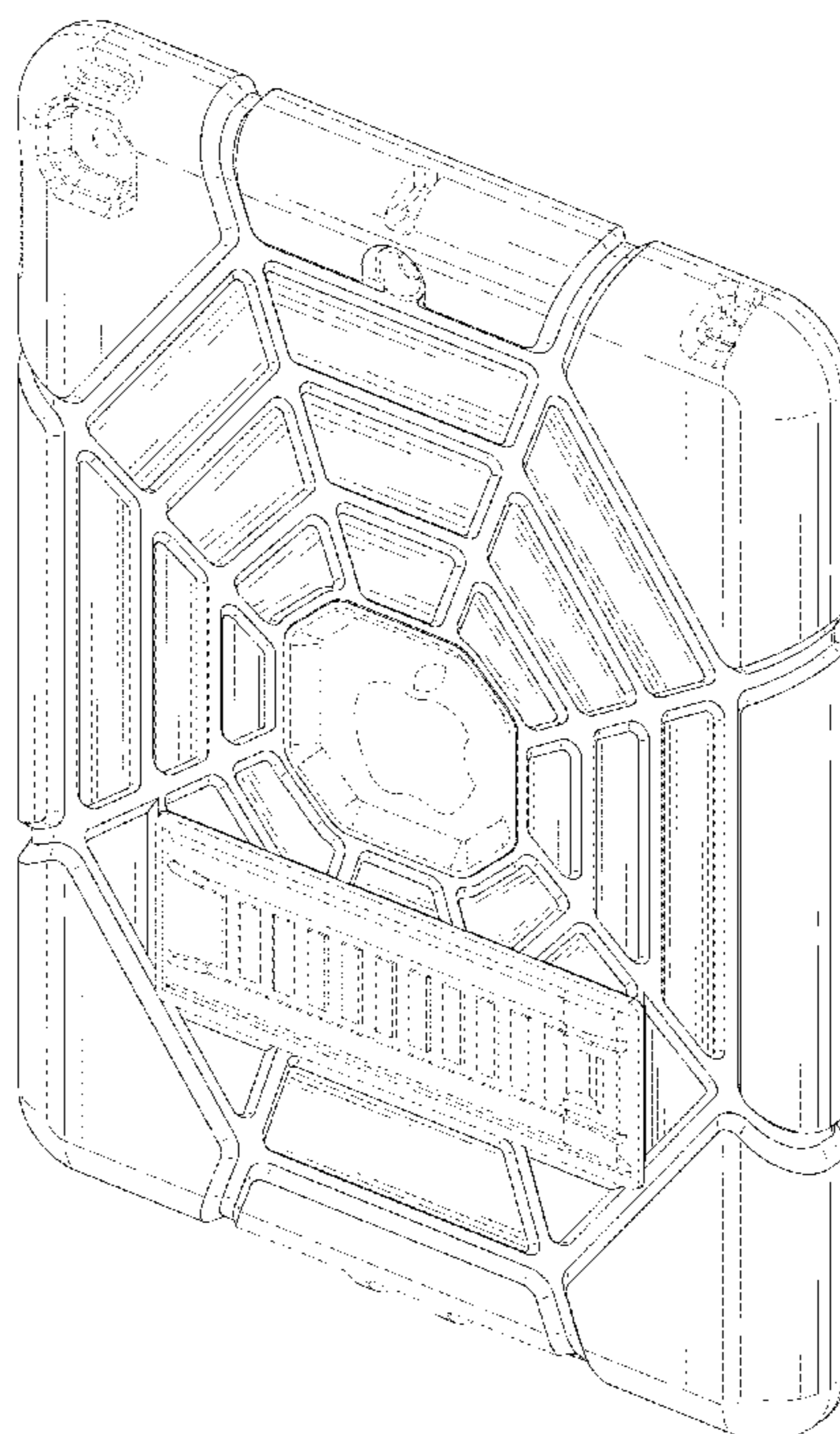
U.S. PATENT DOCUMENTS

D733,154 S *	6/2015	Armstrong	D14/440
D763,853 S *	8/2016	Pearce	D14/440
D790,550 S *	6/2017	Chen	D14/440
D803,221 S *	11/2017	Guo	D14/440
D806,080 S *	12/2017	Chen	D14/440
D807,369 S *	1/2018	Chen	D14/440
D808,973 S *	1/2018	Chen	D14/440
D811,412 S *	2/2018	McCurdy	D14/440
D812,620 S *	3/2018	Cheng	D14/440
D831,030 S *	10/2018	Gao	D14/440
D831,659 S *	10/2018	Gao	D14/440
D837,796 S	1/2019	Kim et al.		
D900,828 S *	11/2020	Chen	D14/440
2012/0075799 A1 *	3/2012	Pollex	G06F 1/1628 361/679.56

FIG. 1 is a front and top perspective view of a portable electronic device case, showing my new design; FIG. 2 is a rear and bottom perspective view of; FIG. 3 is a front elevational view thereof; FIG. 4 is a rear elevational view thereof; FIG. 5 is a left side elevational view thereof; FIG. 6 is a right side elevational view thereof; FIG. 7 is a top plan view thereof; and, FIG. 8 is a bottom plan view thereof.

The broken lines in the figures illustrate portions of the portable electronic device case that form no part of the claimed design.

1 Claim, 8 Drawing Sheets



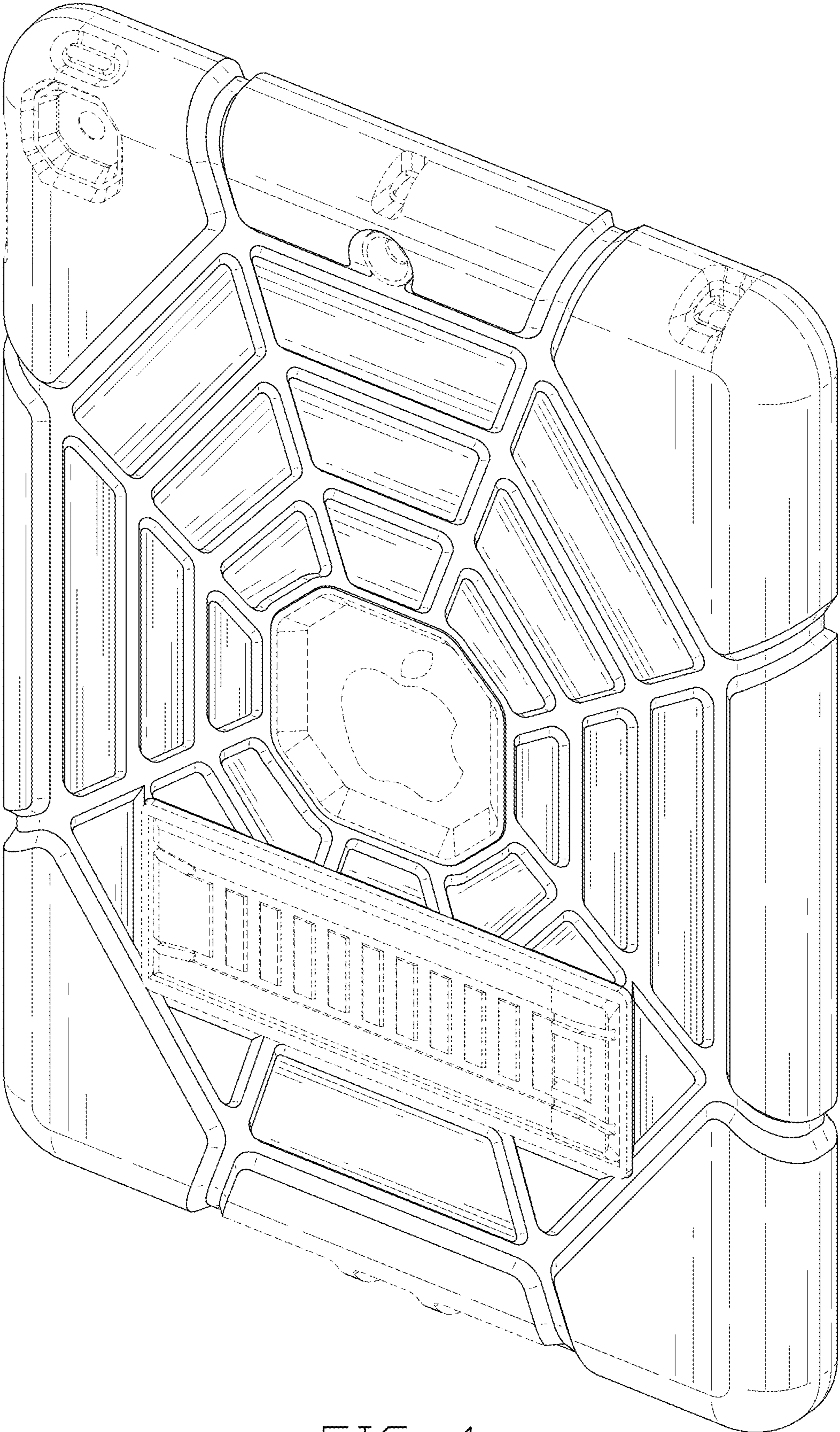


FIG. 1

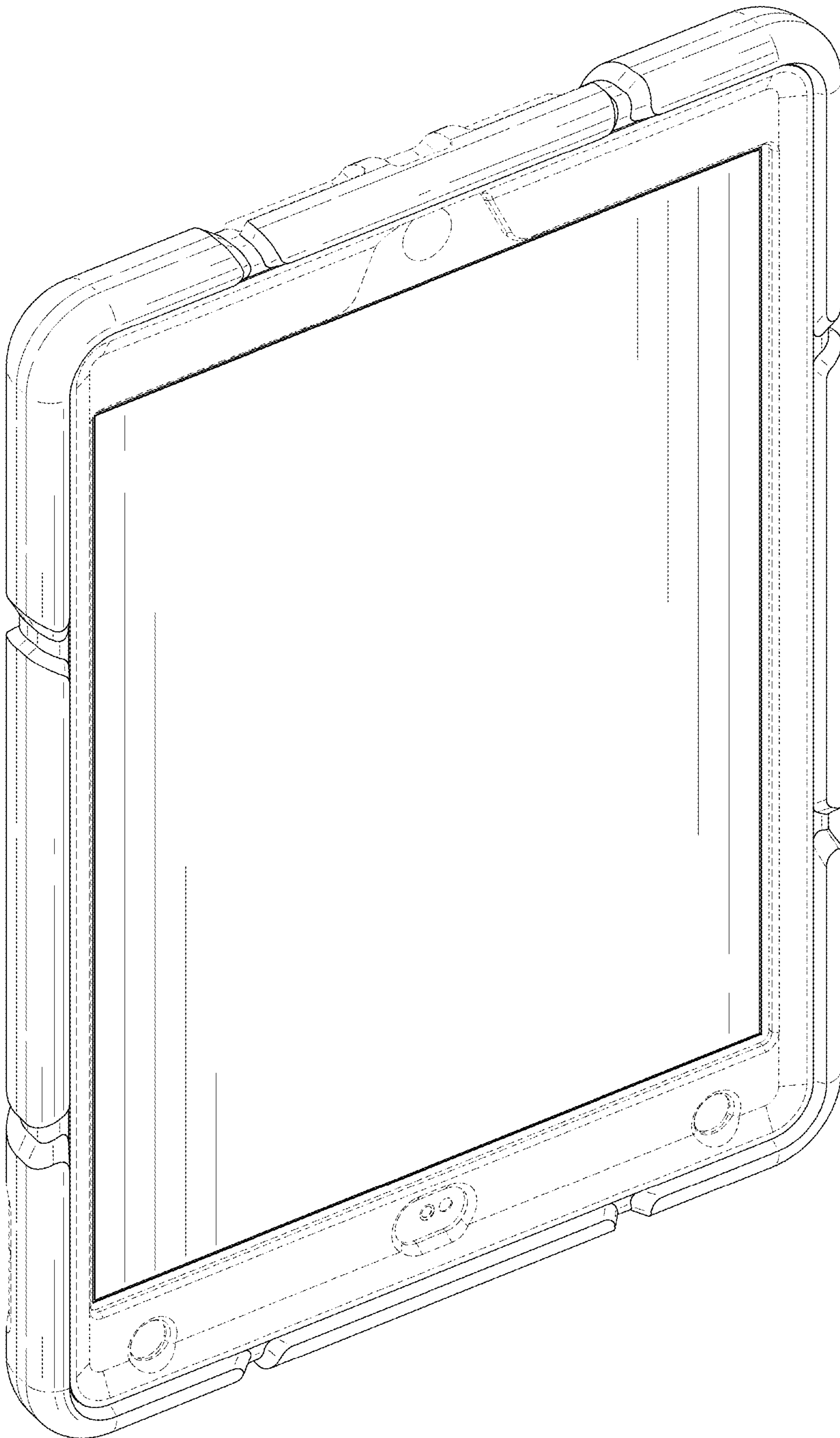


FIG. 2

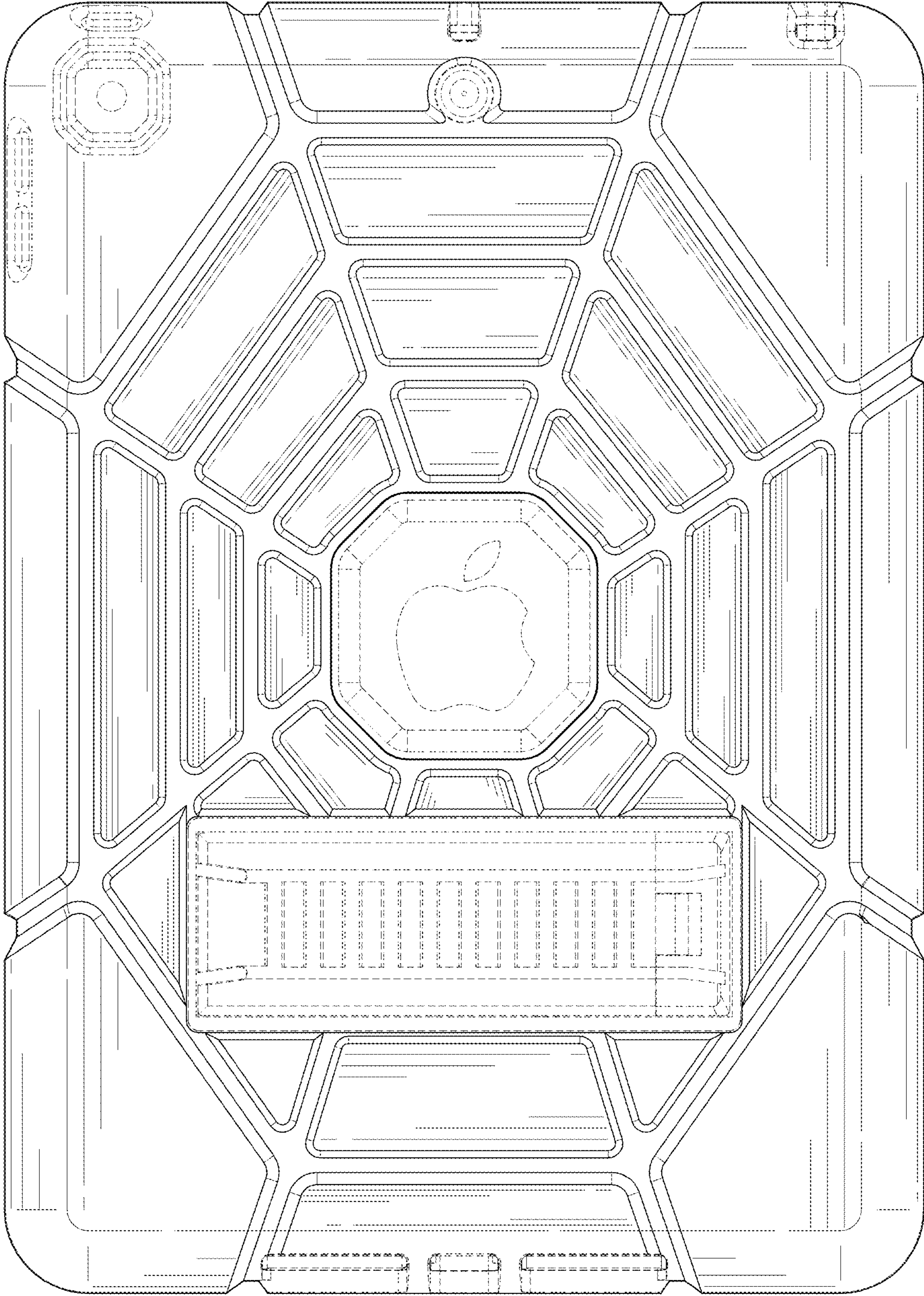


FIG. 3

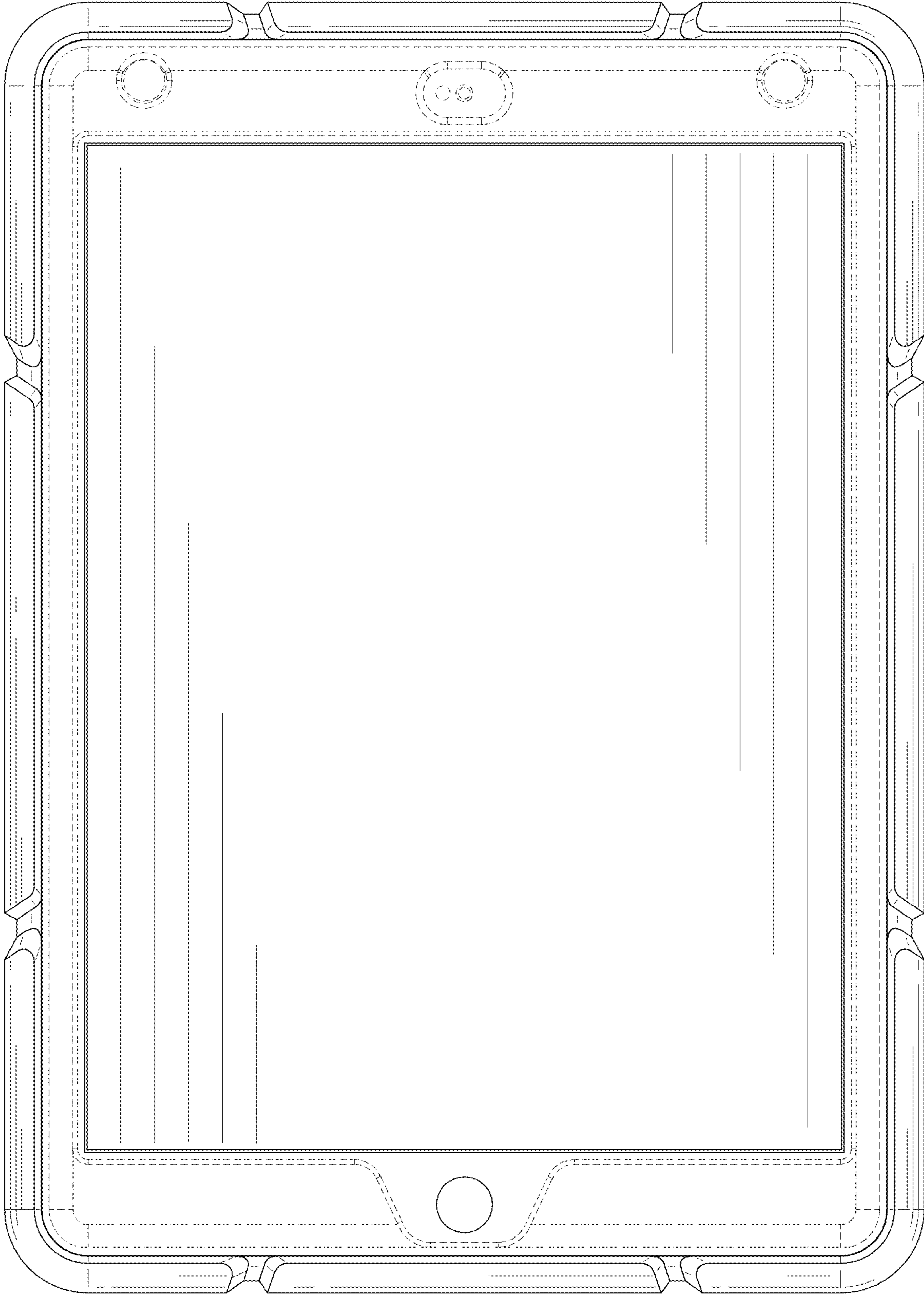


FIG. 4

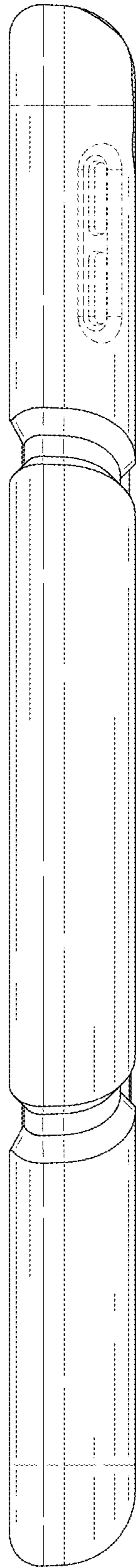


FIG. 5

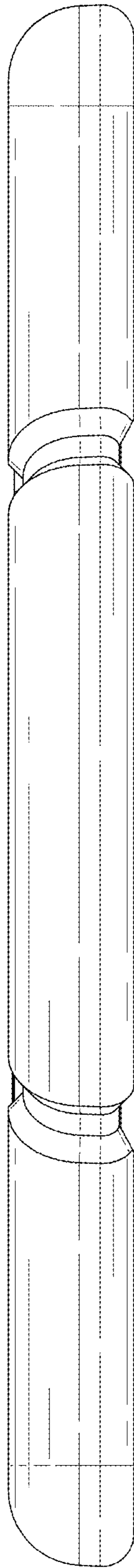


FIG. 6

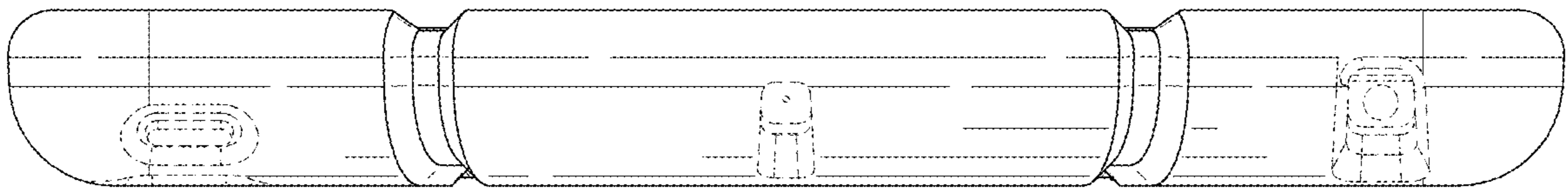


FIG. 7

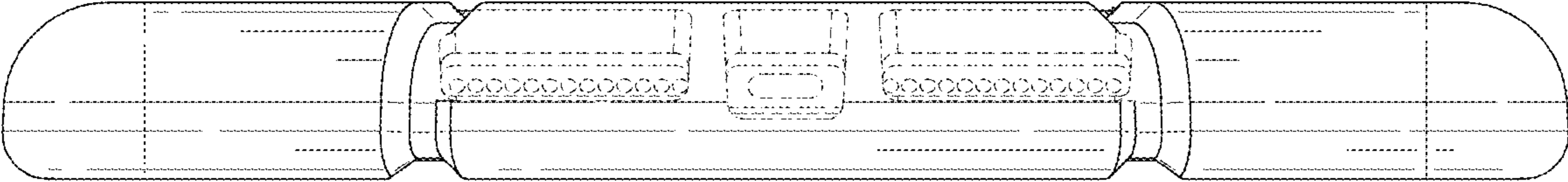


FIG. 8