



US00D920981S

(12) **United States Design Patent** (10) **Patent No.:** **US D920,981 S**
Zhang (45) **Date of Patent:** **** Jun. 1, 2021**

(54) **USB-C DOCKING STATION WITH STAND**
(71) Applicant: **Dongguan Boyye Industrial Co., Ltd,**
Guangdong Province (CN)
(72) Inventor: **Xiuxia Zhang,** Dongguan (CN)
(**) Term: **15 Years**
(21) Appl. No.: **29/759,543**
(22) Filed: **Nov. 24, 2020**
(51) **LOC (13) Cl.** **14-02**
(52) **U.S. Cl.**
USPC **D14/434; D14/447**
(58) **Field of Classification Search**
USPC ... D14/434, 433, 435, 435.1, 356, 357, 358,
D14/440, 447, 251-253, 432, 451, 452,
D14/454, 217, 240, 299, 496, 171, 300,
D14/301, 302, 314, 348, 353-355, 363,
D14/365, 125, 385; D13/103, 107, 108,
D13/184, 110, 123, 133, 135, 137.2,
D13/139.2, 139.4, 118; D21/333
CPC G06F 1/1632; G06F 13/00; G06F 13/38;
G06F 13/382; G06F 13/385; G06F
13/387; G06F 3/065; G06F 9/541; G06F
2213/3814; G06F 2213/40; G06F
2213/4004; H01R 31/06; H01R 31/065;
H01R 27/00; H01R 13/512; H01R 13/62;
H04R 5/04
See application file for complete search history.

D756,367 S * 5/2016 Kim D14/447
D762,650 S * 8/2016 Dang D14/434
D789,348 S * 6/2017 Kim D14/253
D791,861 S * 7/2017 Battle D14/447
D825,573 S * 8/2018 Belitz D14/447
D825,575 S * 8/2018 Gao D14/447
D829,216 S * 9/2018 Belitz D14/447
D829,725 S * 10/2018 Luo D14/447
D833,446 S * 11/2018 Elder D14/447
D839,869 S * 2/2019 Wang D14/447
D842,305 S * 3/2019 Gao D14/447
D864,966 S 10/2019 Sang
D874,452 S * 2/2020 Chen D14/447

(Continued)

OTHER PUBLICATIONS

Docks. (Design—© Questel) orbit.com. [online PDF of Foreign references selected by Examiner] 118 pgs. Print Dates range Aug. 27, 2019-Sep. 29, 2020 [Retrieved Mar. 22, 2021] <https://www.orbit.com/export/QPTUJ214/pdf2/fd959ba4-2fee-4c27-b5e5-e93d829f52ba-232948.pdf>*

Primary Examiner — Marie D. Fast Horse

(57) **CLAIM**

The ornamental design for a USB-C docking station with stand, as shown and described.

DESCRIPTION

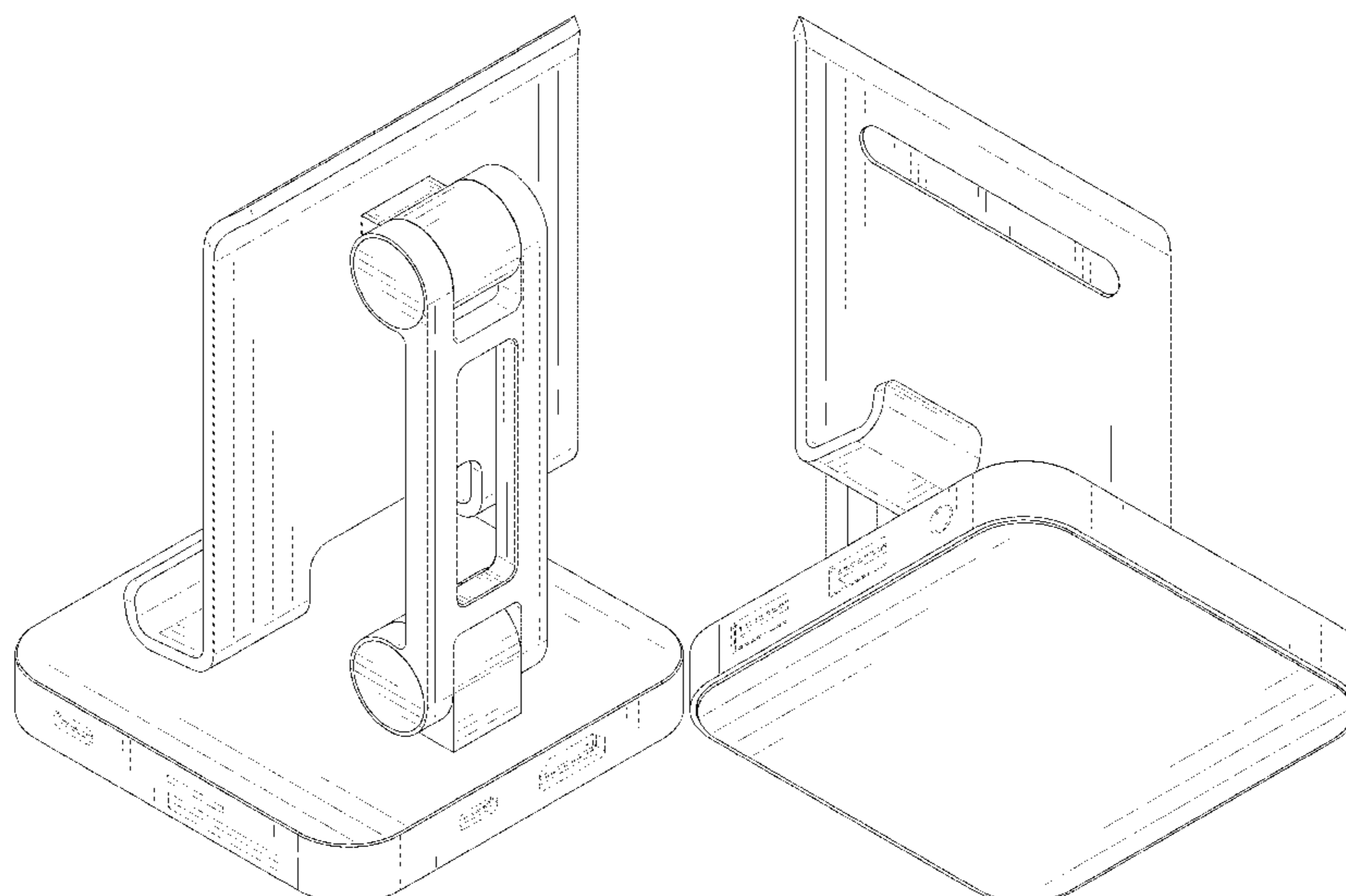
FIG. 1 is a rear and top perspective view of a USB-C docking station with stand, showing my new design; FIG. 2 is a front and bottom perspective view thereof; FIG. 3 is a front elevational view thereof; FIG. 4 is a rear elevational view thereof; FIG. 5 is a left side elevational view thereof; FIG. 6 is a right side elevational view thereof; FIG. 7 is a top plan view thereof; and, FIG. 8 is a bottom plan view thereof. The dashed broken lines in the figures depict portions of the USB-C docking station with stand that form no part of the claimed design.

1 Claim, 8 Drawing Sheets

(56) **References Cited**

U.S. PATENT DOCUMENTS

D512,066 S * 11/2005 Solomon D14/434
D516,562 S * 3/2006 Solomon D14/434
7,349,206 B2 * 3/2008 Lin G06F 1/1632
361/679.41
D589,964 S * 4/2009 Heggland D14/434
D670,703 S * 11/2012 Hasbrook D14/447
D703,676 S * 4/2014 Smith D14/447
9,207,711 B2 * 12/2015 Quijano G06F 1/1601



(56)

References Cited

U.S. PATENT DOCUMENTS

10,563,812	B2	*	2/2020	Chen	G06F 1/1607
D880,471	S	*	4/2020	Yoo	D14/253
D884,711	S	*	5/2020	Zhang	D14/447
D886,051	S	*	6/2020	Chen	D13/108
D892,123	S	*	8/2020	Campbell	D14/434
D898,017	S	*	10/2020	Zhang	D14/253
D902,217	S	*	11/2020	Zhang	D14/447
D903,689	S	*	12/2020	Zheng	D14/447
D904,387	S	*	12/2020	Zhang	D14/447
D905,686	S	*	12/2020	Zhang	D14/253
D906,347	S	*	12/2020	Yang	D14/447
D907,029	S	*	1/2021	Khubani	D14/253
D907,628	S	*	1/2021	Feng	D14/253
D907,644	S	*	1/2021	Li	D14/447
D908,688	S	*	1/2021	Zhang	D14/253
D912,654	S	*	3/2021	Weng	D14/253

* cited by examiner

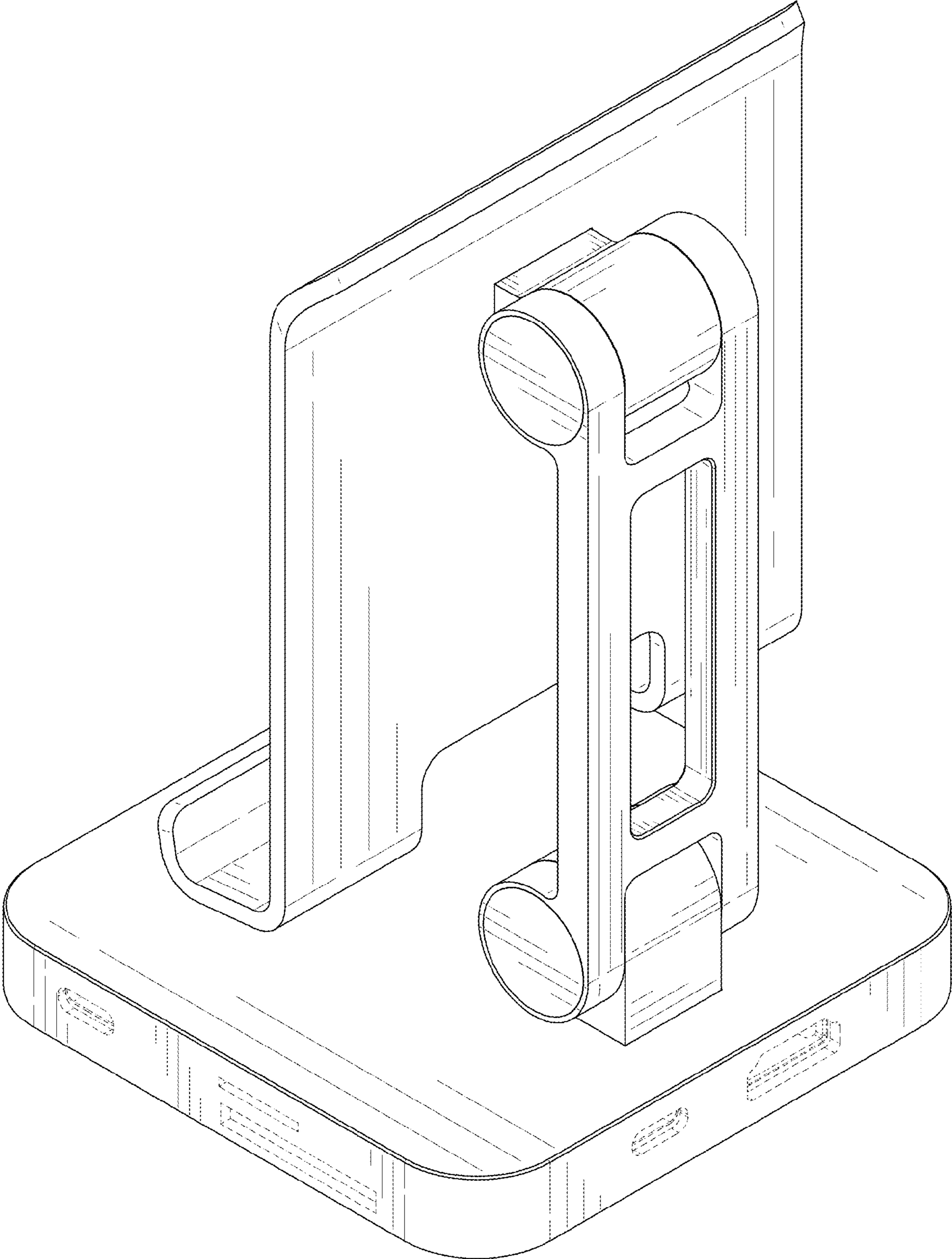


FIG. 1

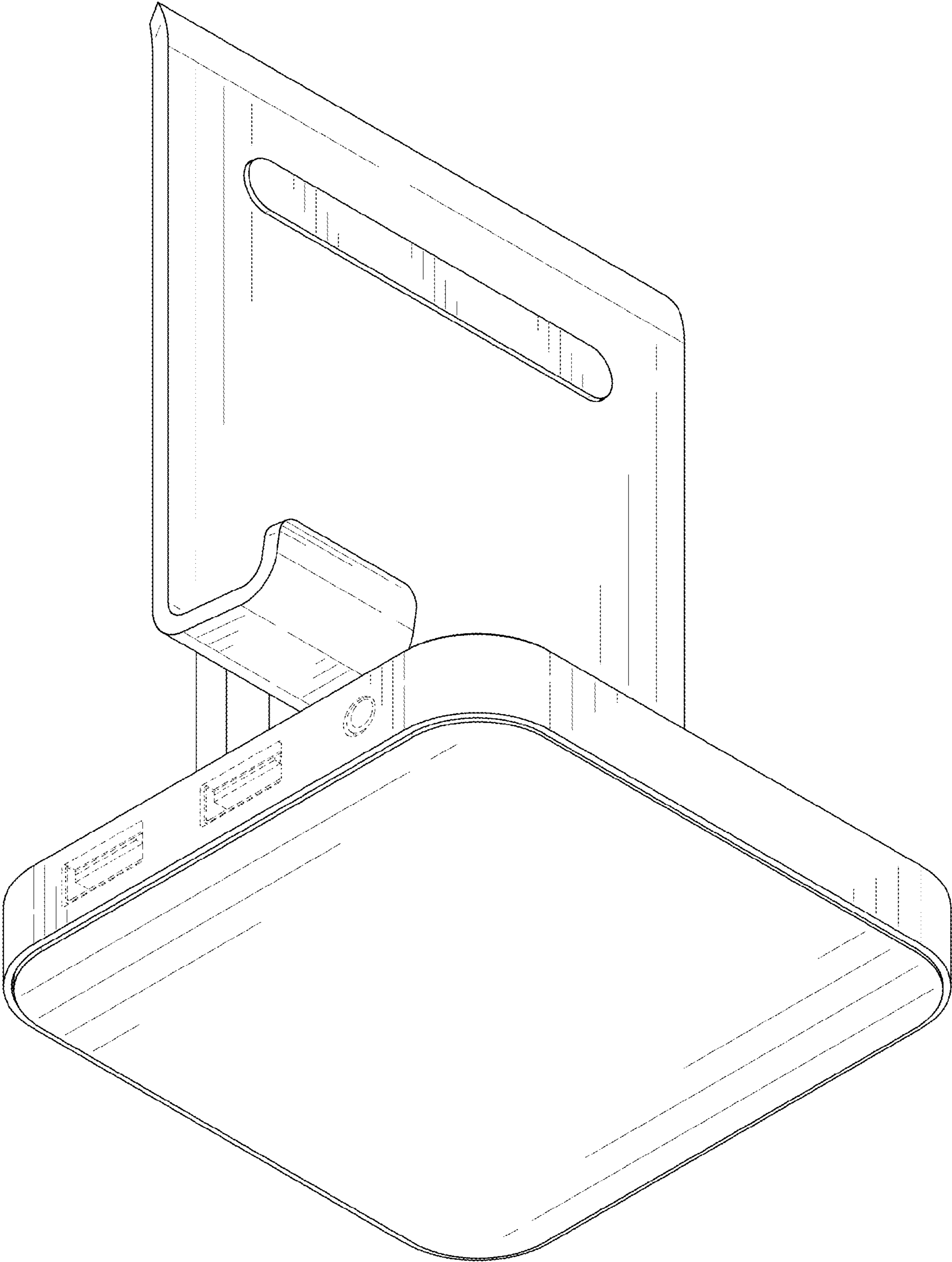


FIG. 2

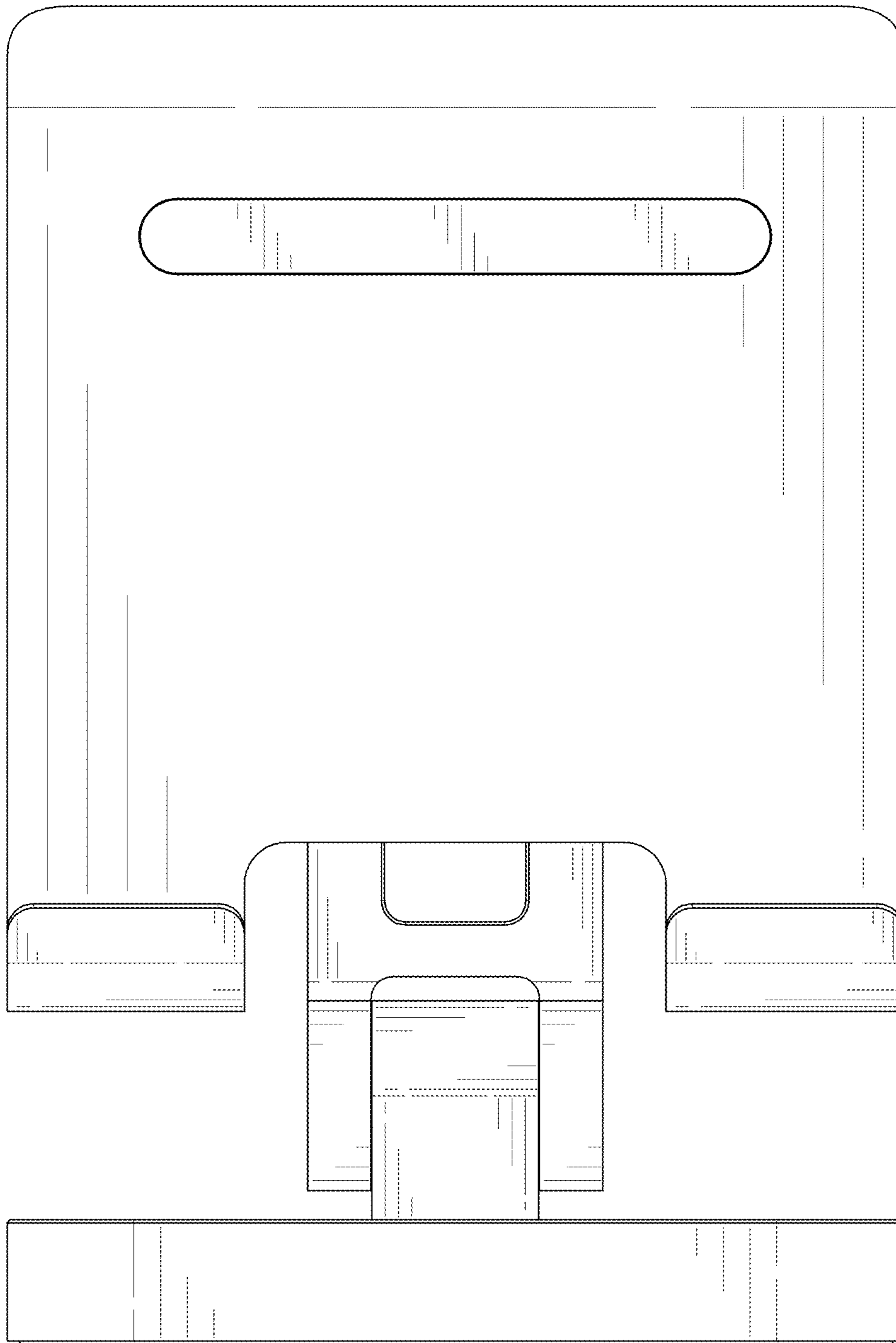


FIG. 3

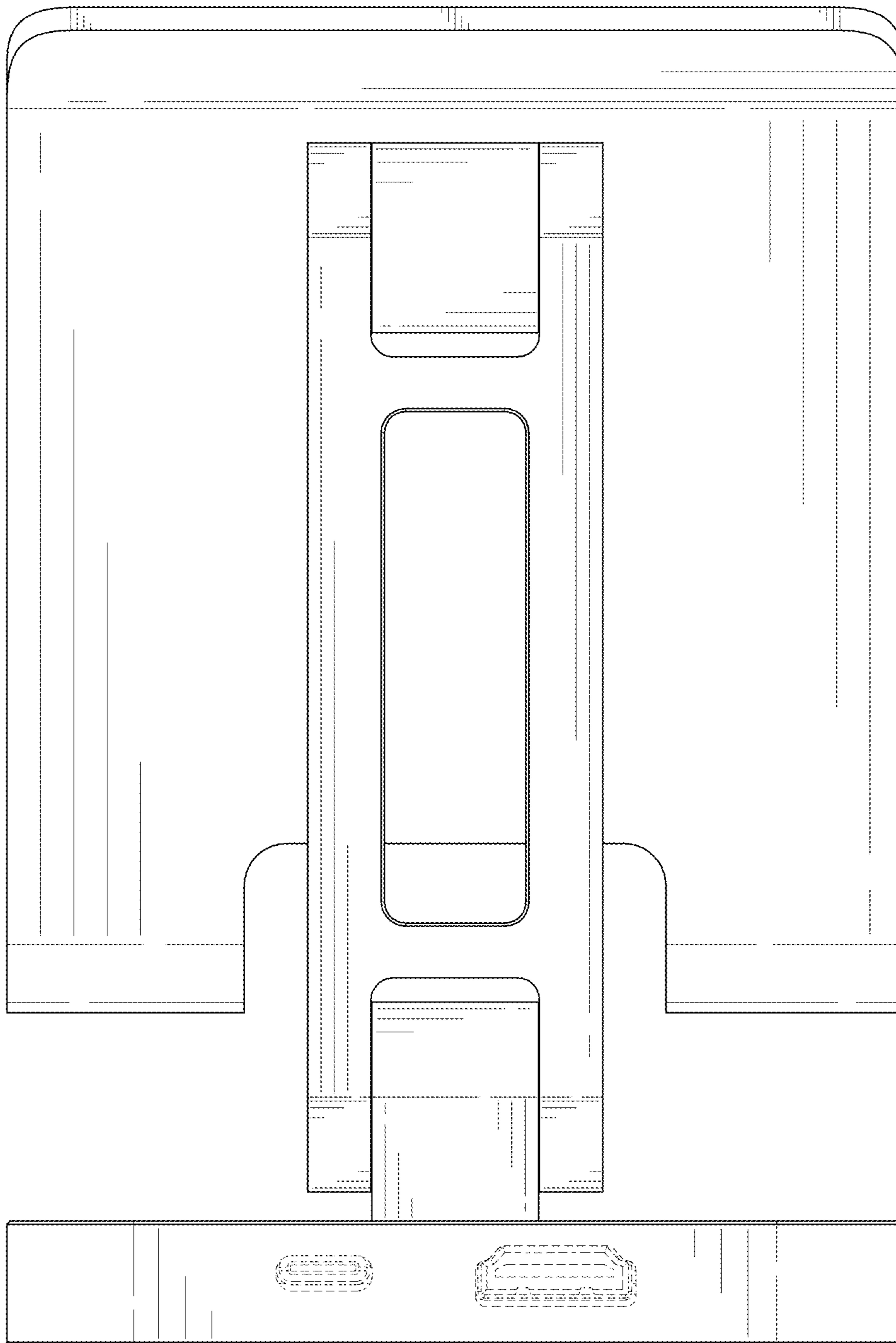


FIG. 4

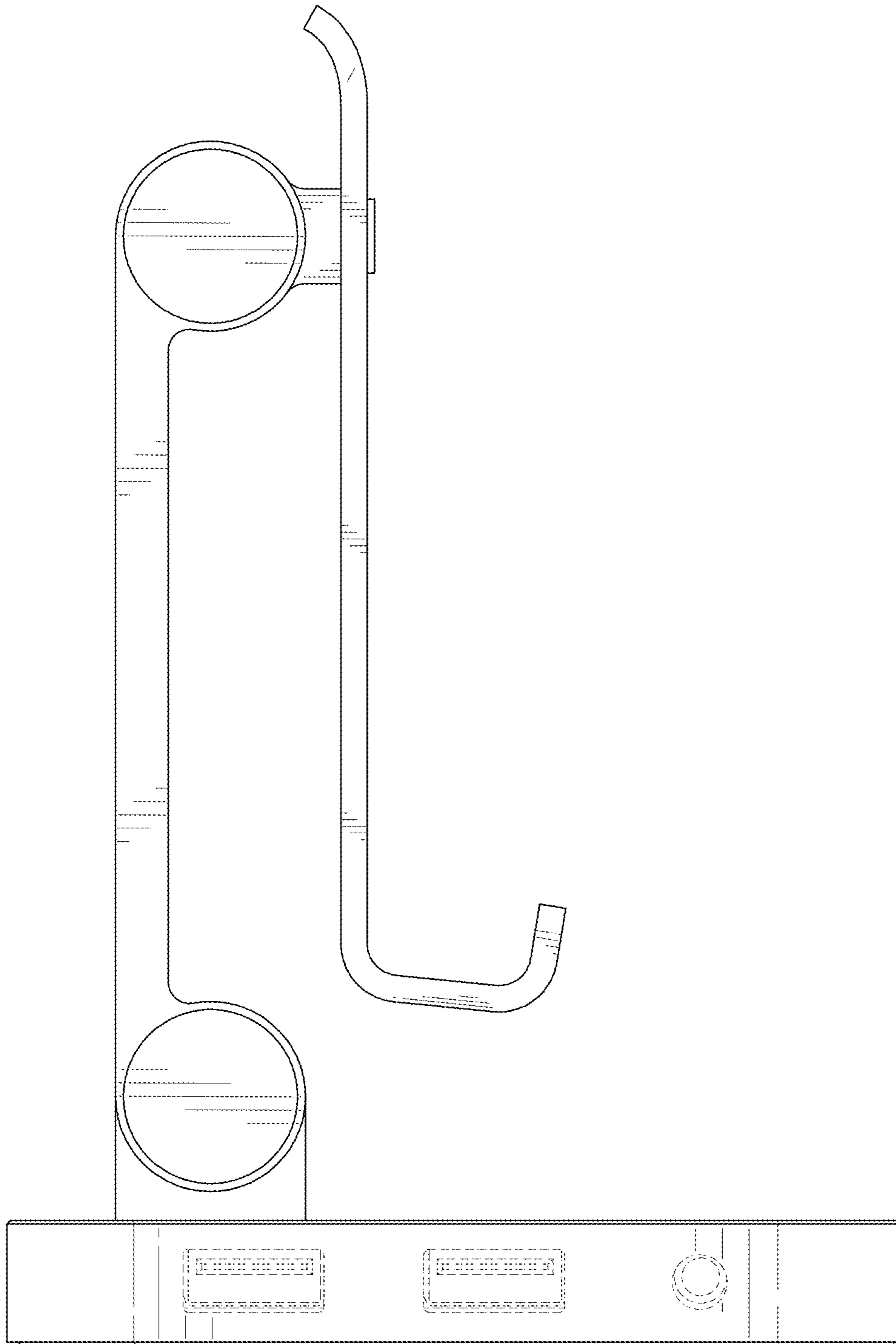


FIG. 5

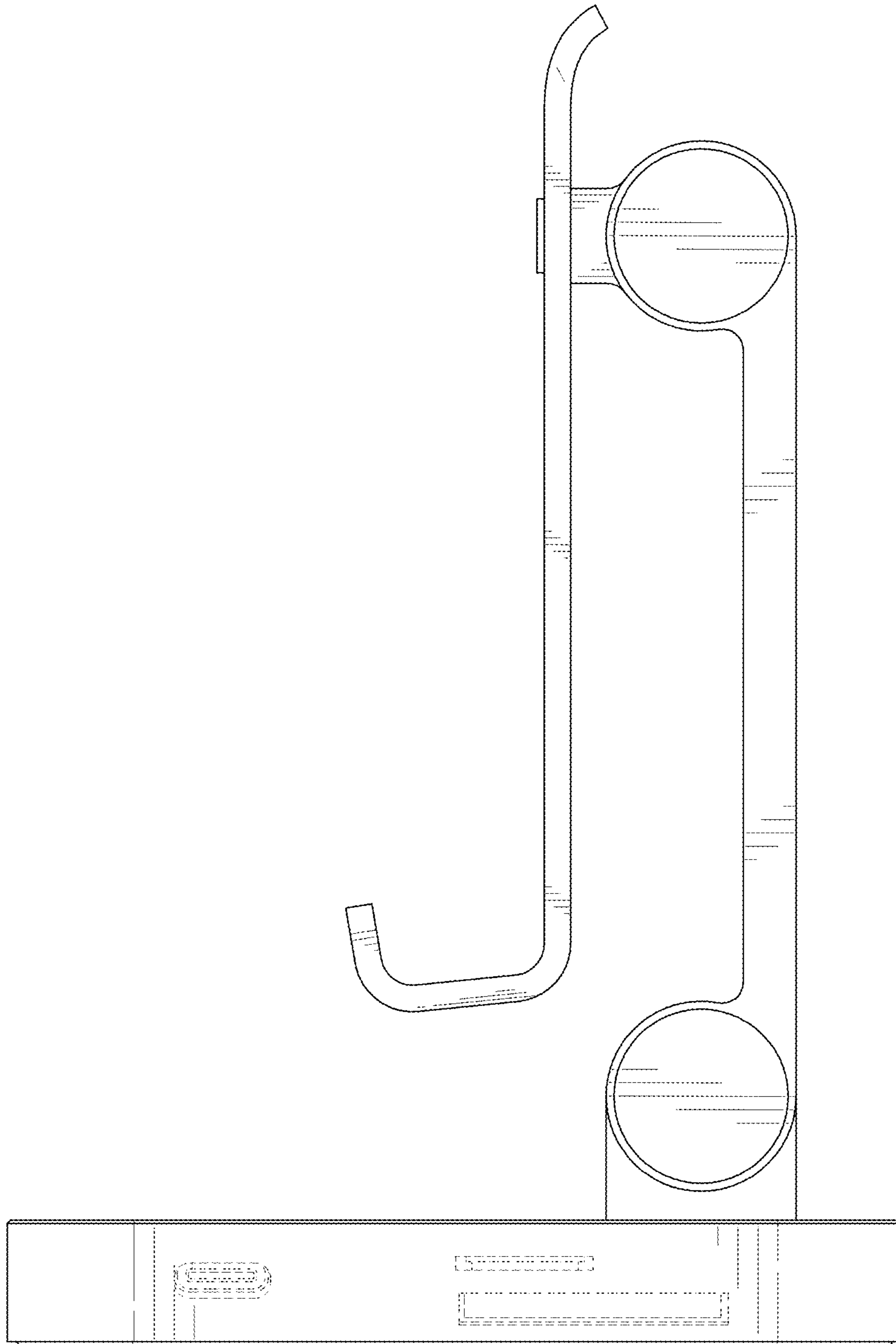


FIG. 6

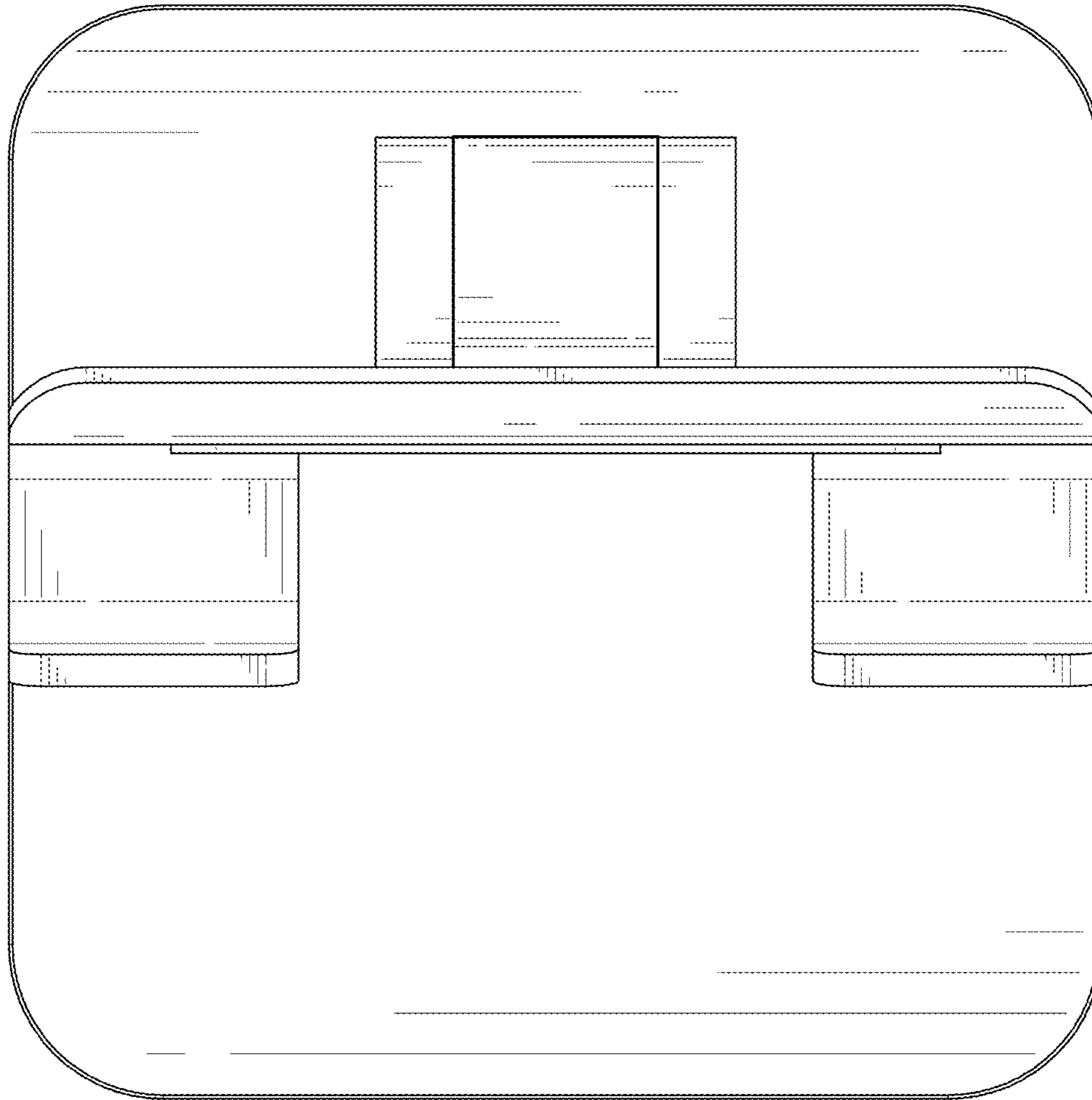


FIG. 7

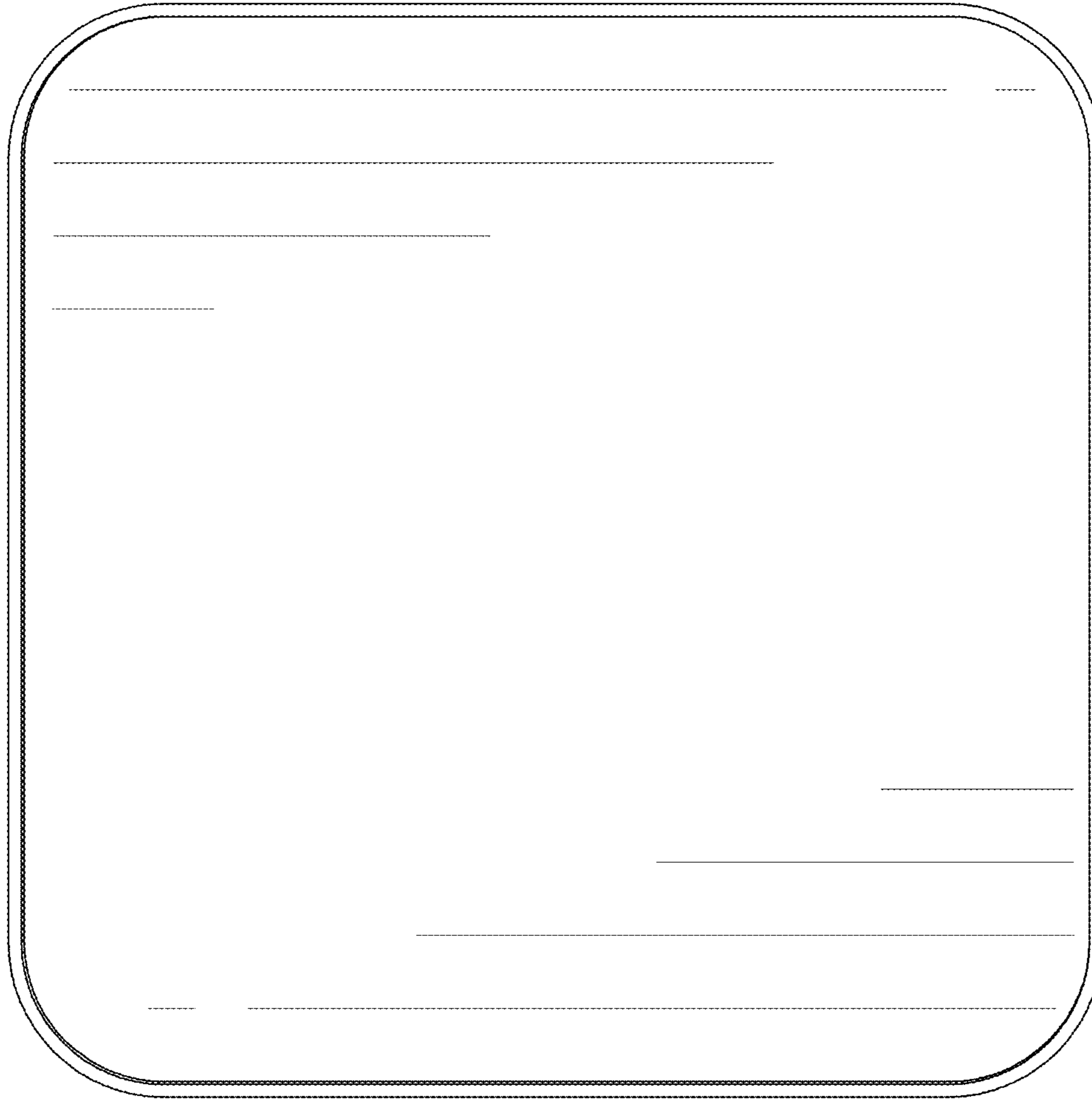


FIG. 8