



US00D920980S

(12) **United States Design Patent** (10) **Patent No.:** **US D920,980 S**
Zhang (45) **Date of Patent:** **** Jun. 1, 2021**

(54) **MULTI-FUNCTION HUB**

(56) **References Cited**

(71) Applicant: **C-SMARTLINK INFORMATION TECHNOLOGY CO., LIMITED,**
Shenzhen (CN)

U.S. PATENT DOCUMENTS

(72) Inventor: **Wenfeng Zhang,** Shenzhen (CN)

D491,563 S *	6/2004	Sato	D14/242
D514,103 S *	1/2006	Huang	D14/480.6
D647,908 S *	11/2011	Chen	D14/434
D727,360 S *	4/2015	Peng	D14/496
D735,132 S *	7/2015	Donohue, II	D13/108
D753,063 S *	4/2016	Gelonese	D13/137.2
D784,356 S *	4/2017	Luo	D14/480.1
D854,018 S *	7/2019	Liao	D14/434
D855,053 S *	7/2019	Hickman	D14/384
D864,145 S *	10/2019	Zhang	D14/155
D864,206 S *	10/2019	Wang	D14/433
D878,300 S *	3/2020	Lyu	D13/139.8
D906,238 S *	12/2020	Zhang	D13/108

(73) Assignee: **C-SMARTLINK INFORMATION TECHNOLOGY CO., LIMITED,**
Shenzhen (CN)

(**) Term: **15 Years**

* cited by examiner

(21) Appl. No.: **29/715,224**

Primary Examiner — Ramzi S Almatrahi
Assistant Examiner — Charles Cunningham

(22) Filed: **Nov. 29, 2019**

(51) **LOC (13) Cl.** **14-02**

(57) **CLAIM**

(52) **U.S. Cl.**

The ornamental design for a multi-function hub, as shown and described.

USPC **D14/433**

(58) **Field of Classification Search**

DESCRIPTION

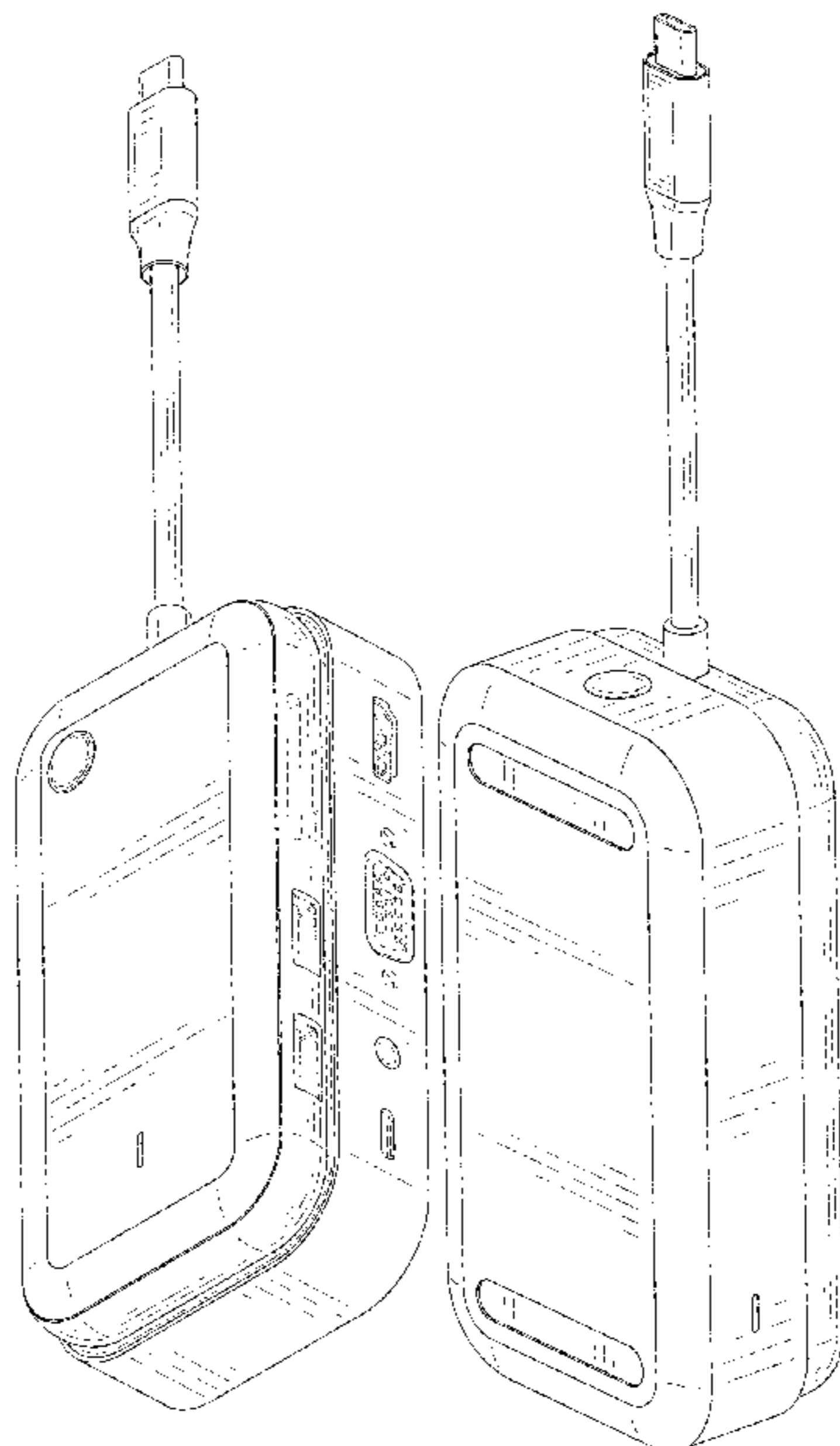
USPC D14/155, 240, 242, 356, 357, 358, 378,
D14/383, 384, 385, 386, 432, 433, 434,
D14/438, 439, 435.1, 480.1, 480.3, 480.4,
D14/480.5, 480.6, 480.7, 496; D13/103,
D13/107, 108, 110, 118, 120, 123, 133,
D13/137.1–137.4, 139.1–139.8, 146, 147,
D13/153, 154, 184; D18/12, 12.1, 12.3
CPC H01R 25/00; H01R 25/003; H01R 25/006;
H01R 27/00; H01R 27/02; H01R 31/005;
H01R 24/28; H01R 24/20; H01R 13/60;
H01R 13/6658; H01R 13/72; G06F
1/1607; G06F 1/1632; G06F 1/1684;
G06F 1/266; G06F 11/325; G06F 13/00;
G06F 13/12; G06F 13/14; G06F 13/20;
G06F 13/382; G06F 13/4022; H04B 1/08

FIG. 1 is a bottom, rear and left side perspective view of a multi-function hub showing my new design;
FIG. 2 is a top, front and right side perspective view thereof;
FIG. 3 is a front elevational view thereof;
FIG. 4 is a rear elevational view thereof;
FIG. 5 is a left side elevational view thereof;
FIG. 6 is a right side elevational view thereof;
FIG. 7 is a top plan view thereof;
FIG. 8 is a bottom plan view thereof; and,
FIG. 9 is an exploded bottom, rear and left side perspective view thereof.

The broken lines in the drawings are for the purpose of illustrating portions of the multi-function hub that form no part of the claimed design.

See application file for complete search history.

1 Claim, 9 Drawing Sheets



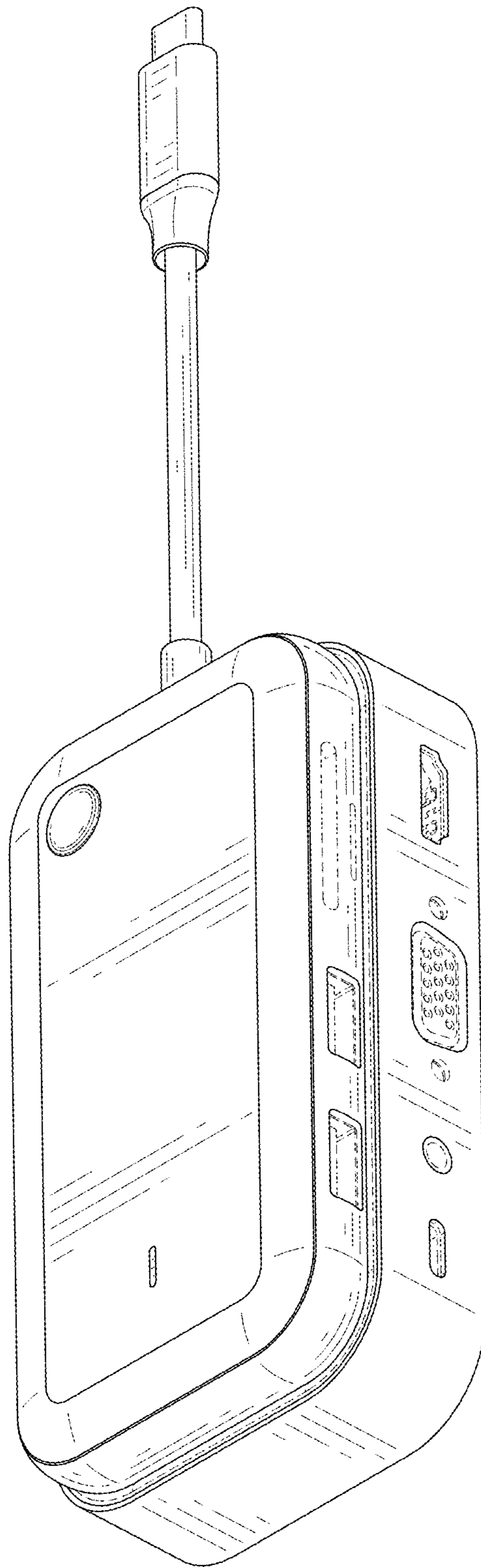


FIG. 1

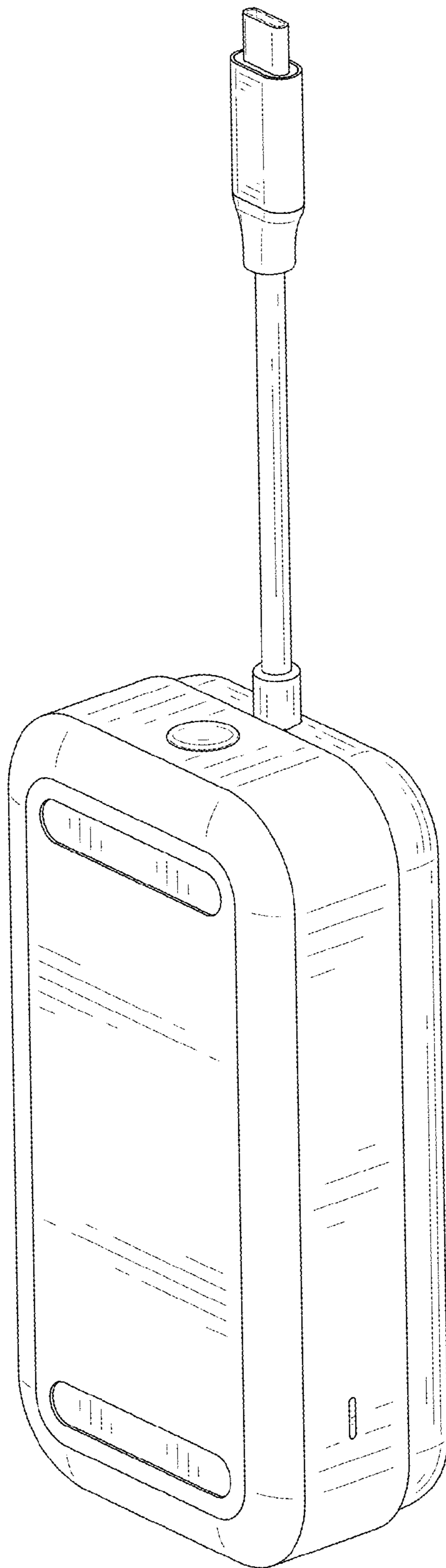


FIG. 2

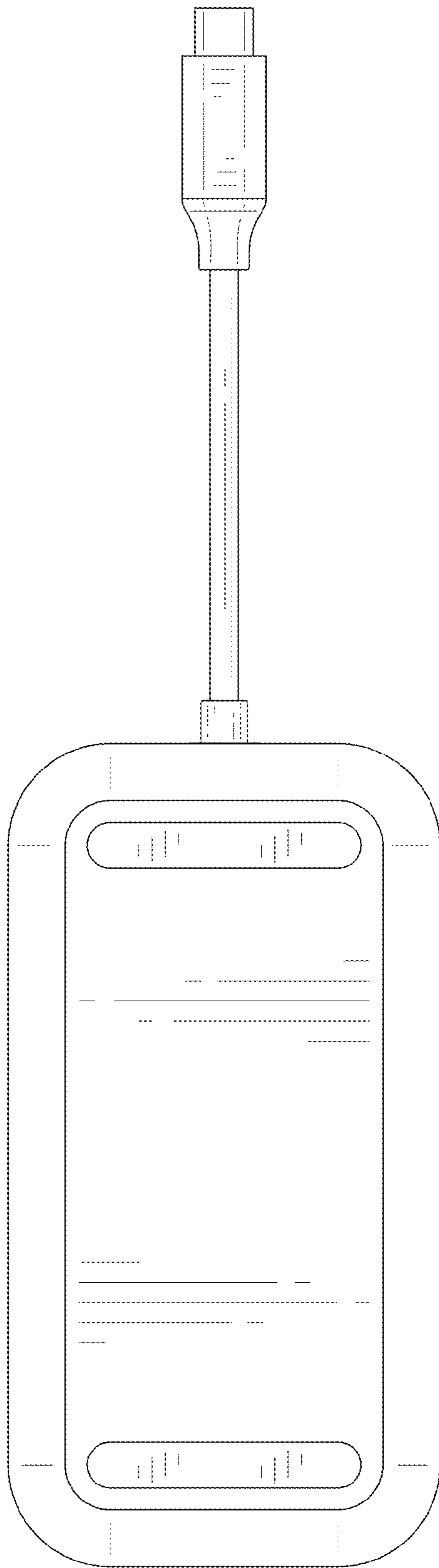


FIG. 3

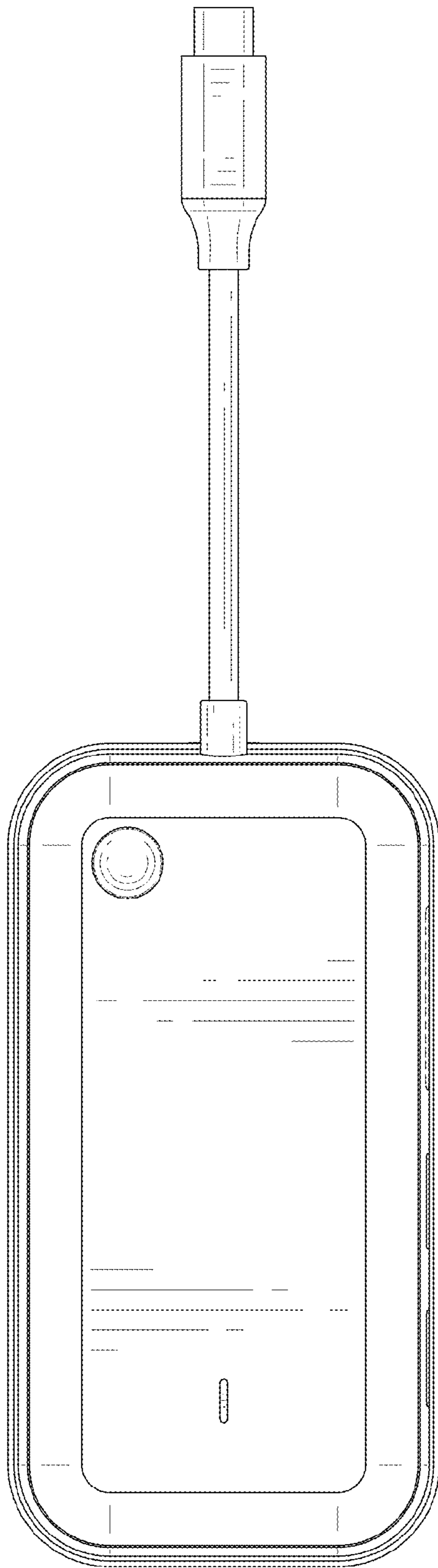


FIG. 4

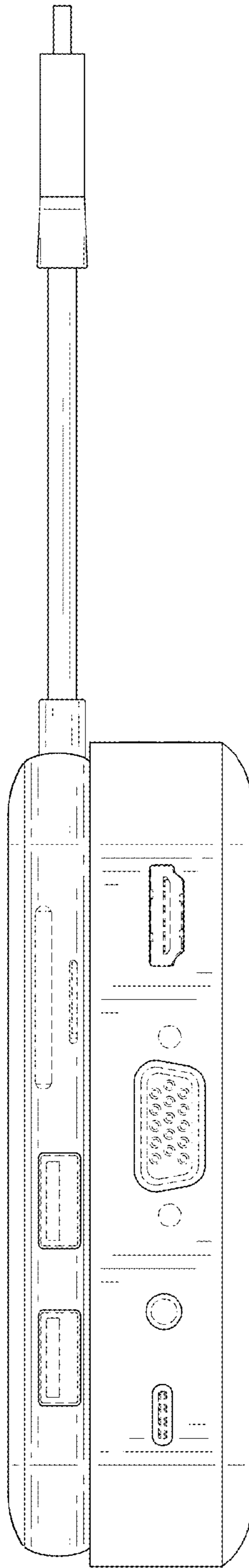


FIG. 5

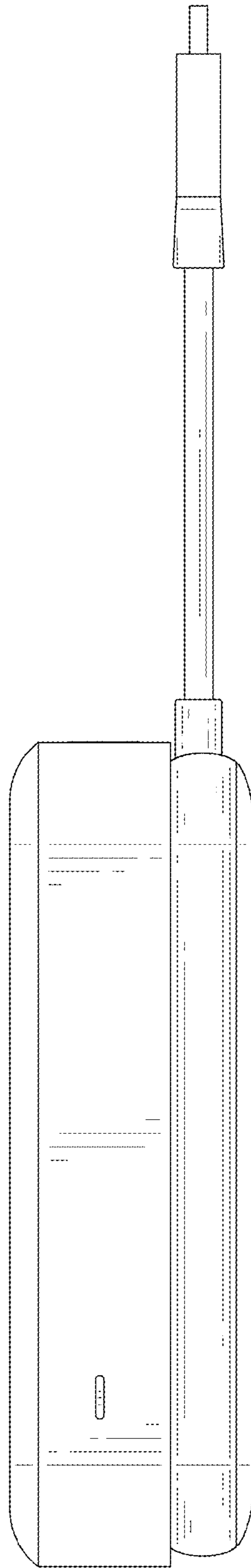


FIG. 6

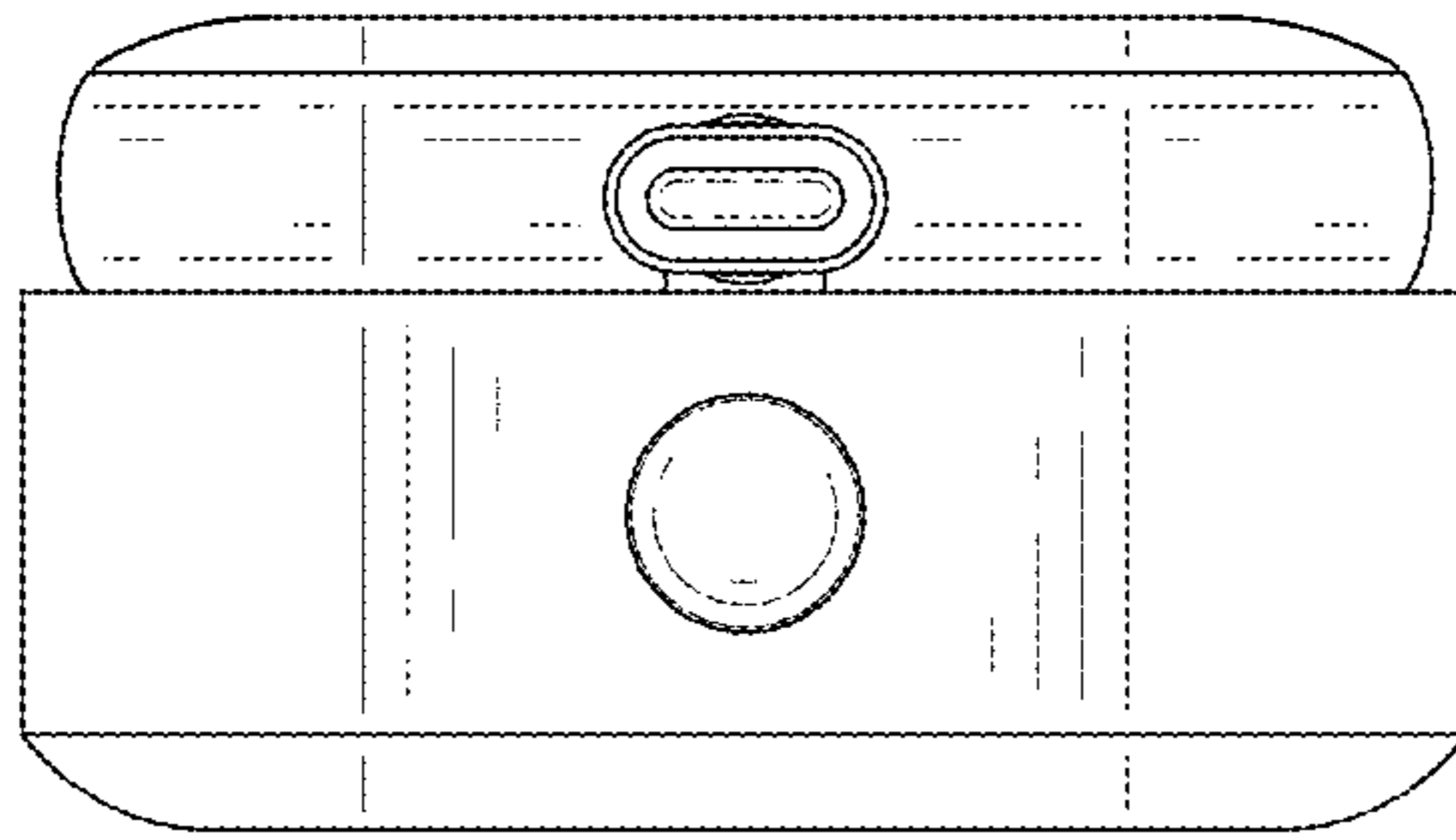


FIG. 7

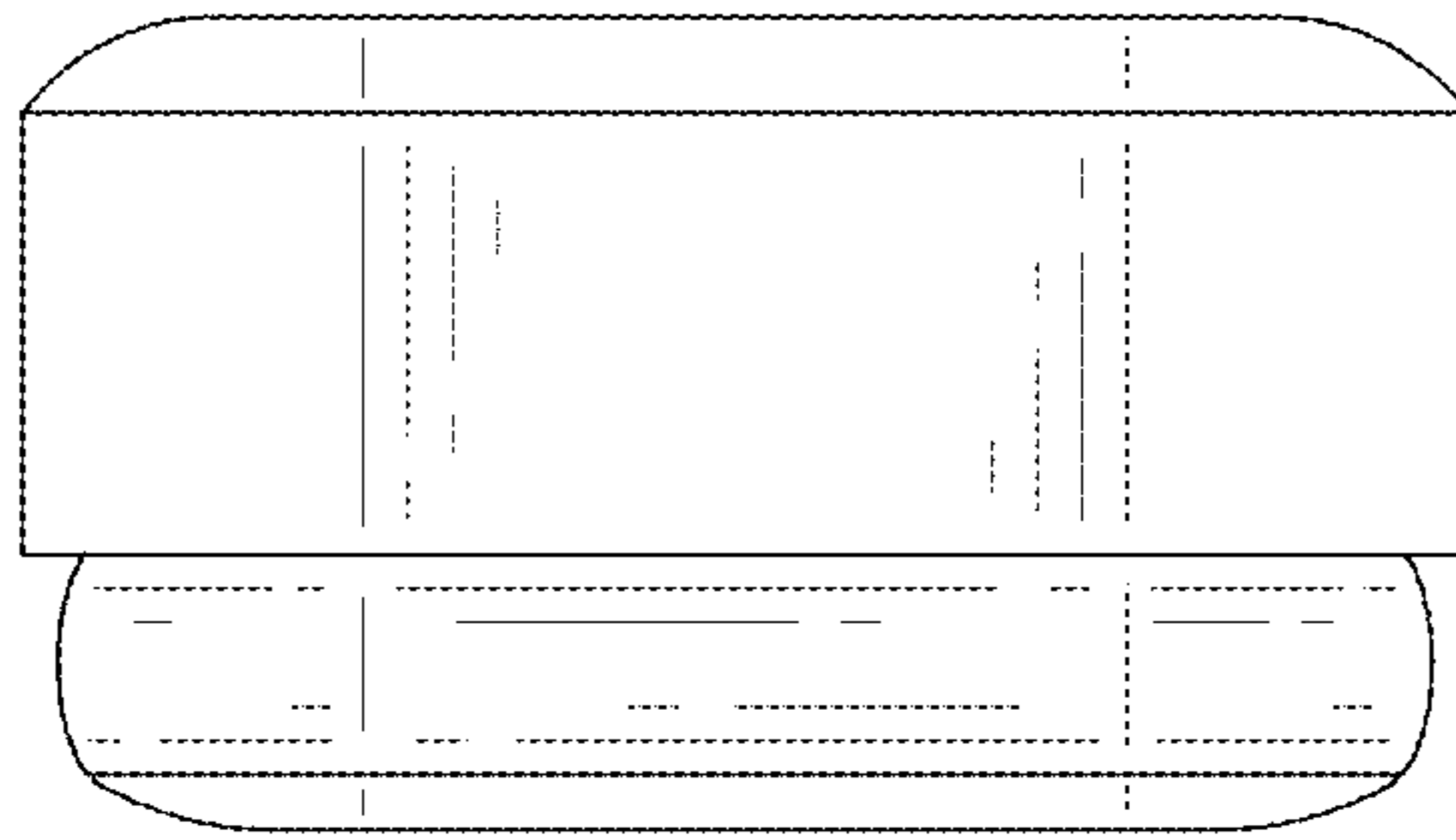


FIG. 8

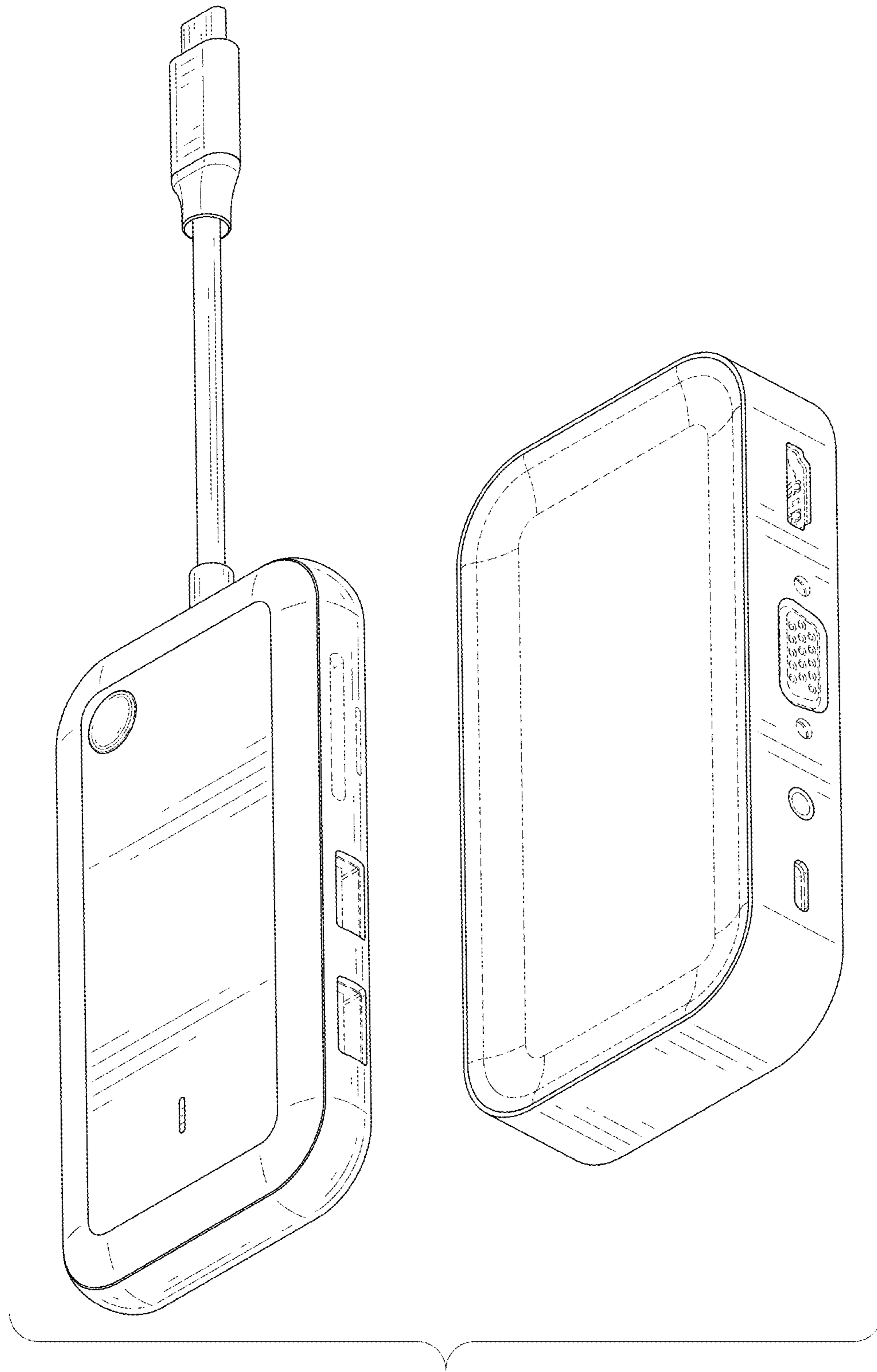


FIG. 9