



US00D920974S

(12) **United States Design Patent**
Chi

(10) **Patent No.:** **US D920,974 S**

(45) **Date of Patent:** **** Jun. 1, 2021**

(54) **VIRTUAL REALITY HEADSET**

(71) Applicant: **Lenovo (Beijing) Co., Ltd.**, Beijing (CN)

(72) Inventor: **Huiping Chi**, Beijing (CN)

(73) Assignee: **Lenovo (Beijing) Co., Ltd.**, Beijing (CN)

(**) Term: **15 Years**

(21) Appl. No.: **35/507,612**

(22) Filed: **Jul. 31, 2019**

(80) **Hague Agreement Data**

Int. Filing Date: **Jul. 31, 2019**

Int. Reg. No.: **DM/203545**

Int. Reg. Date: **Jul. 31, 2019**

Int. Reg. Pub. Date: **Nov. 1, 2019**

(30) **Foreign Application Priority Data**

Jan. 31, 2019 (CN) 201930058055.1

(51) **LOC (13) Cl.** **14-02**

(52) **U.S. Cl.**

USPC **D14/372**

(58) **Field of Classification Search**

USPC D14/125, 126, 129, 192, 229, 344, 371,
D14/372, 432, 496; D16/100, 300, 309,
D16/311-313, 340; D29/103-107, 109,
D29/110

CPC G02B 27/00; G02B 27/01; G02B 27/017;
G06F 3/017; G06F 3/0346

See application file for complete search history.

(56) **References Cited**

U.S. PATENT DOCUMENTS

D838,718 S * 1/2019 Chiang D14/372

D844,605 S * 4/2019 Yeh D14/372

D872,079 S * 1/2020 Huang D14/372
D882,569 S * 4/2020 Tsao D14/372
D883,979 S * 5/2020 Chen D14/372
D896,221 S * 9/2020 Lee D14/372

OTHER PUBLICATIONS

VRFocus.com; Graham, Peter; "Checkout Lenovo's Windows Holographic VR HMD"; [online] 'https://www.vrfocus.com/2017/01/checkout-lenovos-windows-holographic-vr-hmd/'; dated Jan. 3, 2017; accessed Sep. 14, 2020; 2p. (Year: 2017).*

* cited by examiner

Primary Examiner — Keli L Hill

(74) *Attorney, Agent, or Firm* — Oppedahl Patent Law Firm LLC

(57) **CLAIM**

The ornamental design for a virtual reality headset, as shown and described.

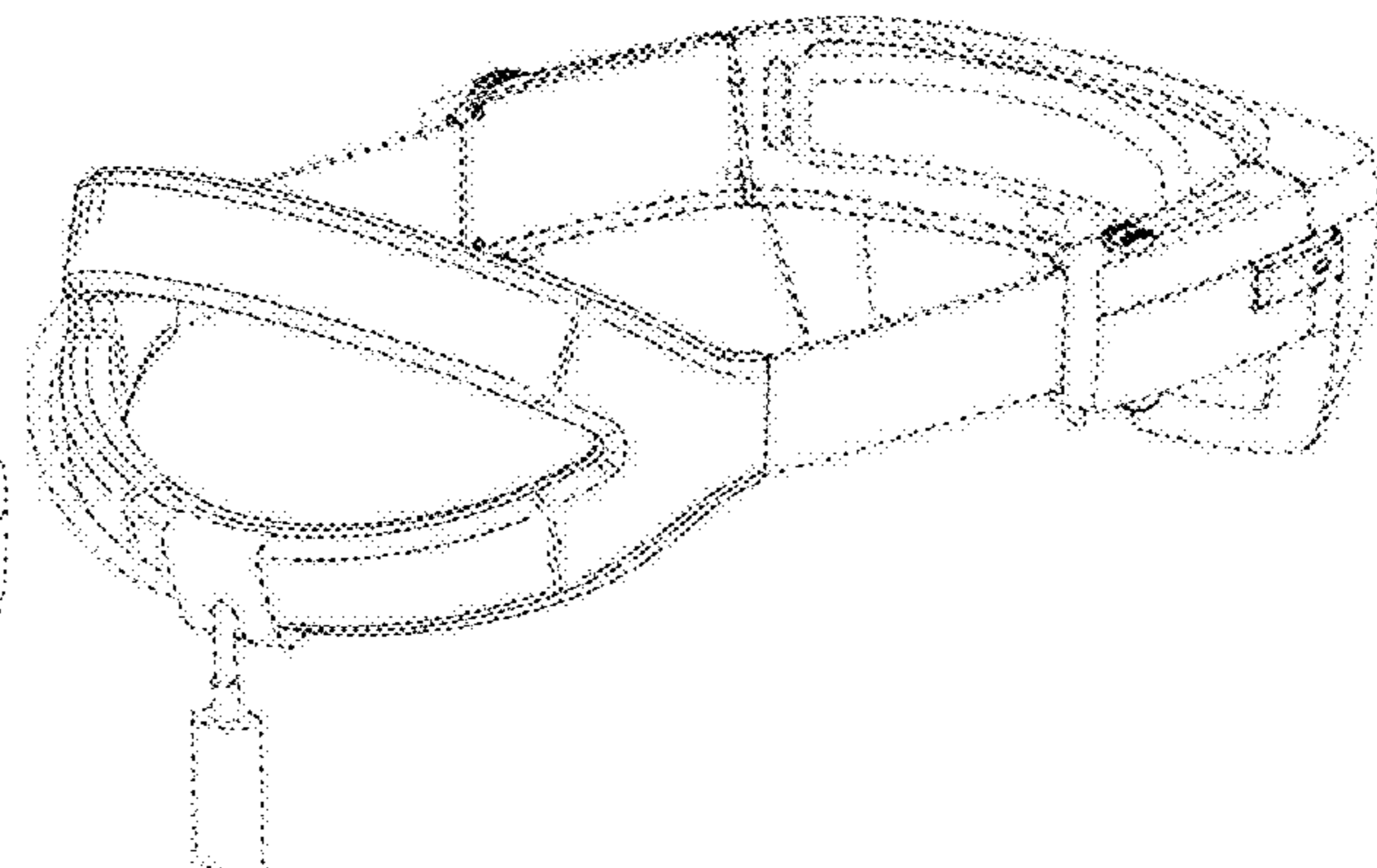
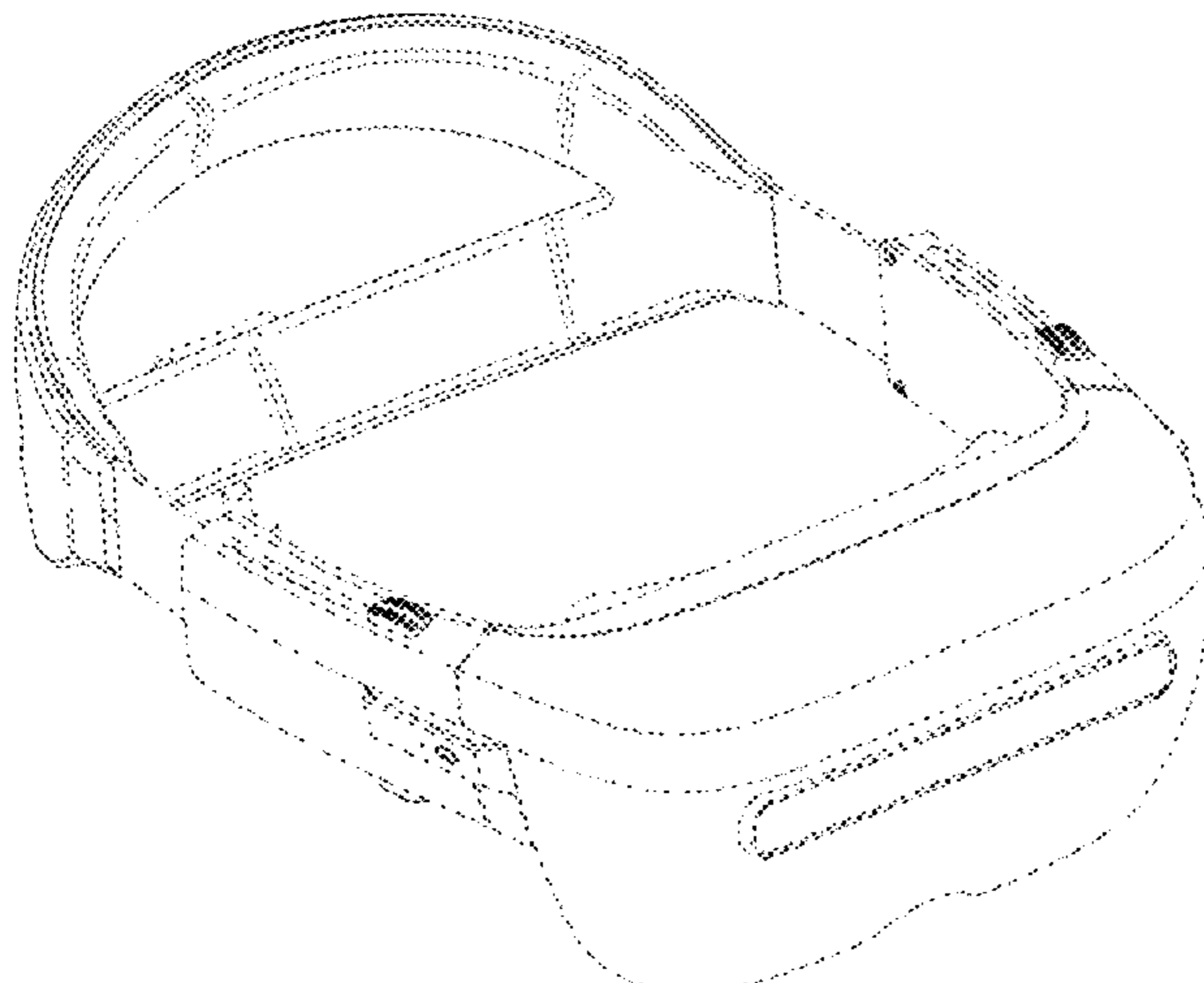
DESCRIPTION

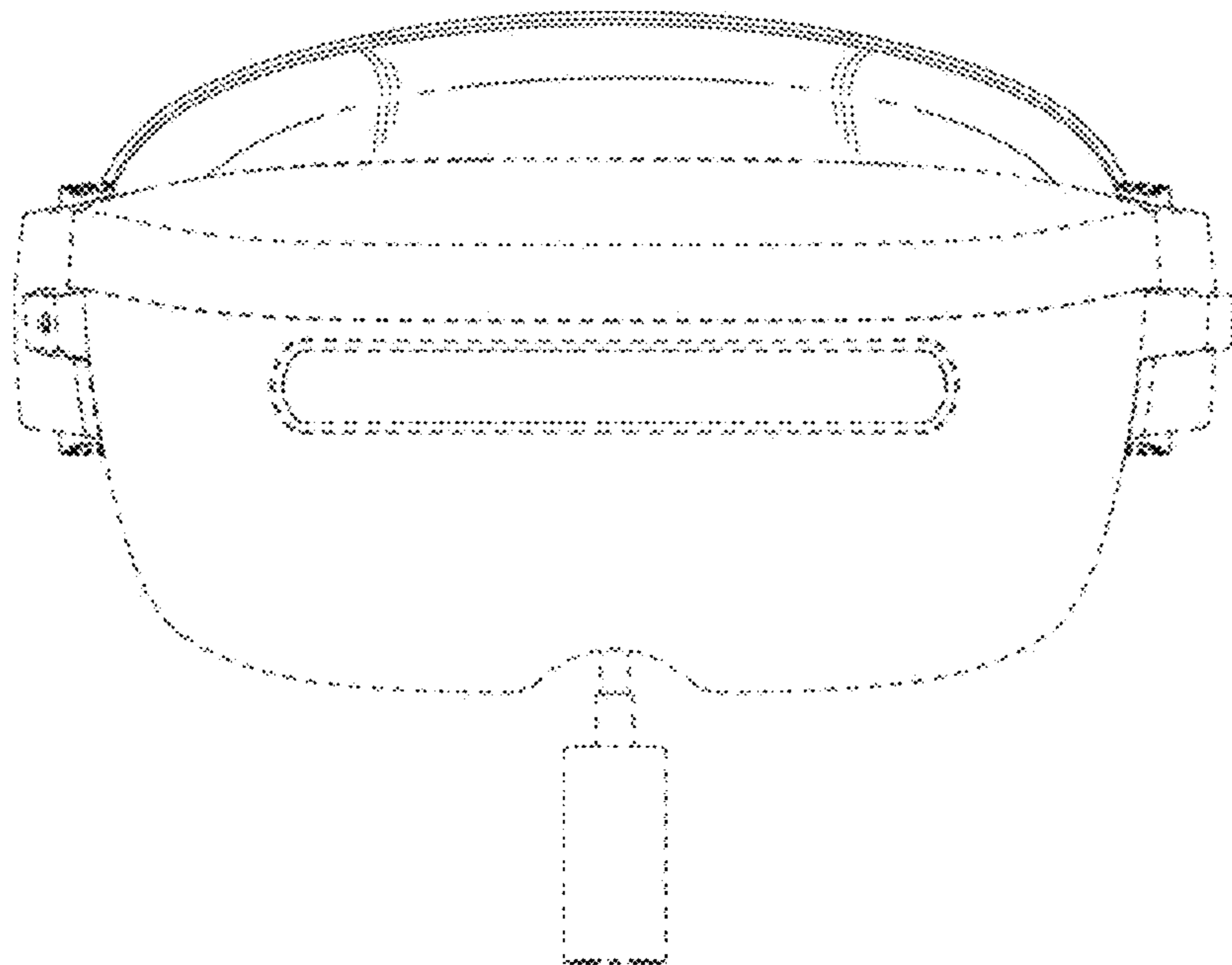
Virtual reality headset

- 2.1 front view;
- 2.2 Back view;
- 2.3 Left view;
- 2.4 Right view;
- 2.5 Top view;
- 2.6 Bottom view;
- 2.7 Perspective view;
- 2.8 Perspective view; and
- 2.9 Alternate Perspective view.

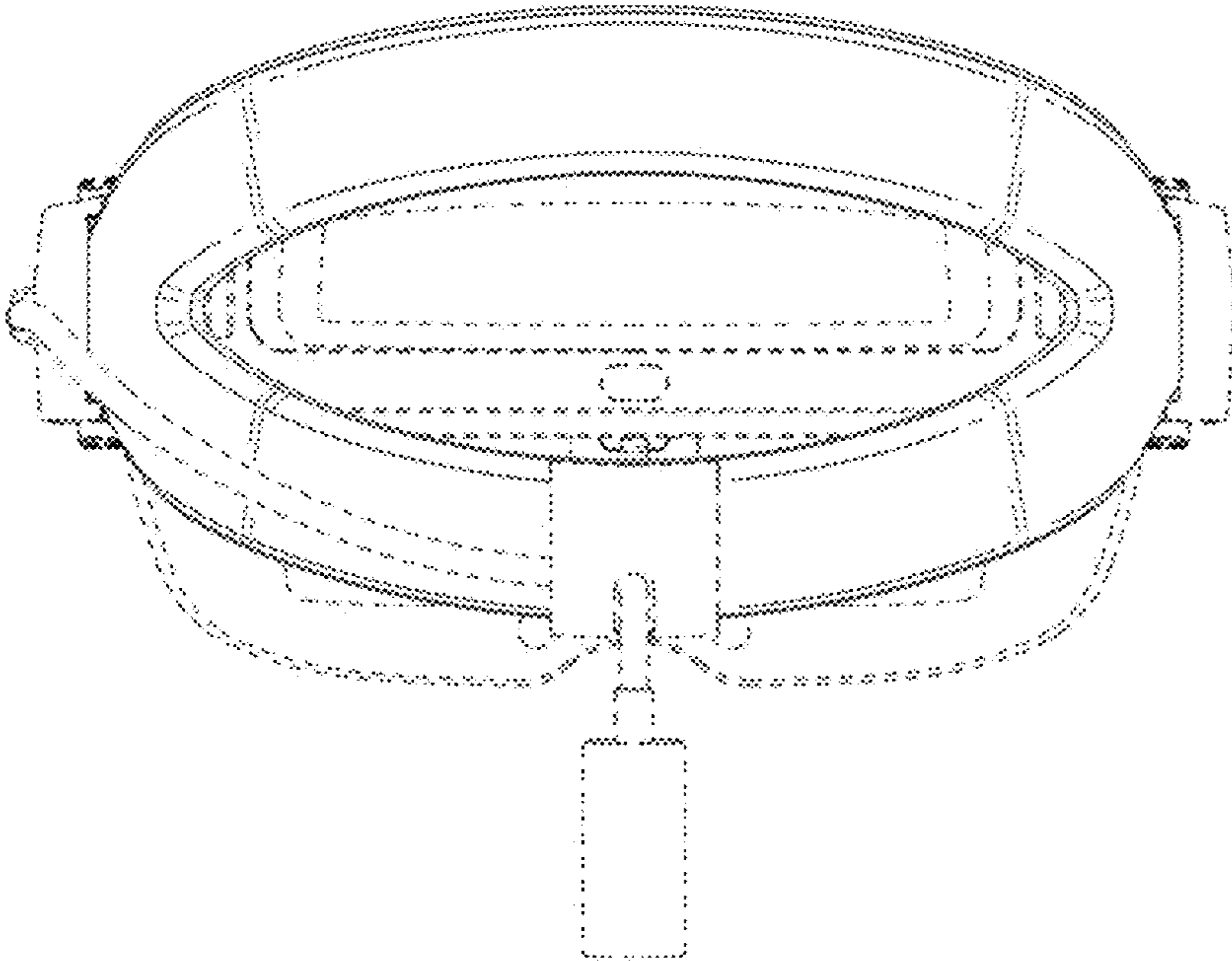
The broken lines shown in the drawings illustrate portions of the virtual reality headset that form no part of the claimed design.

1 Claim, 9 Drawing Sheets

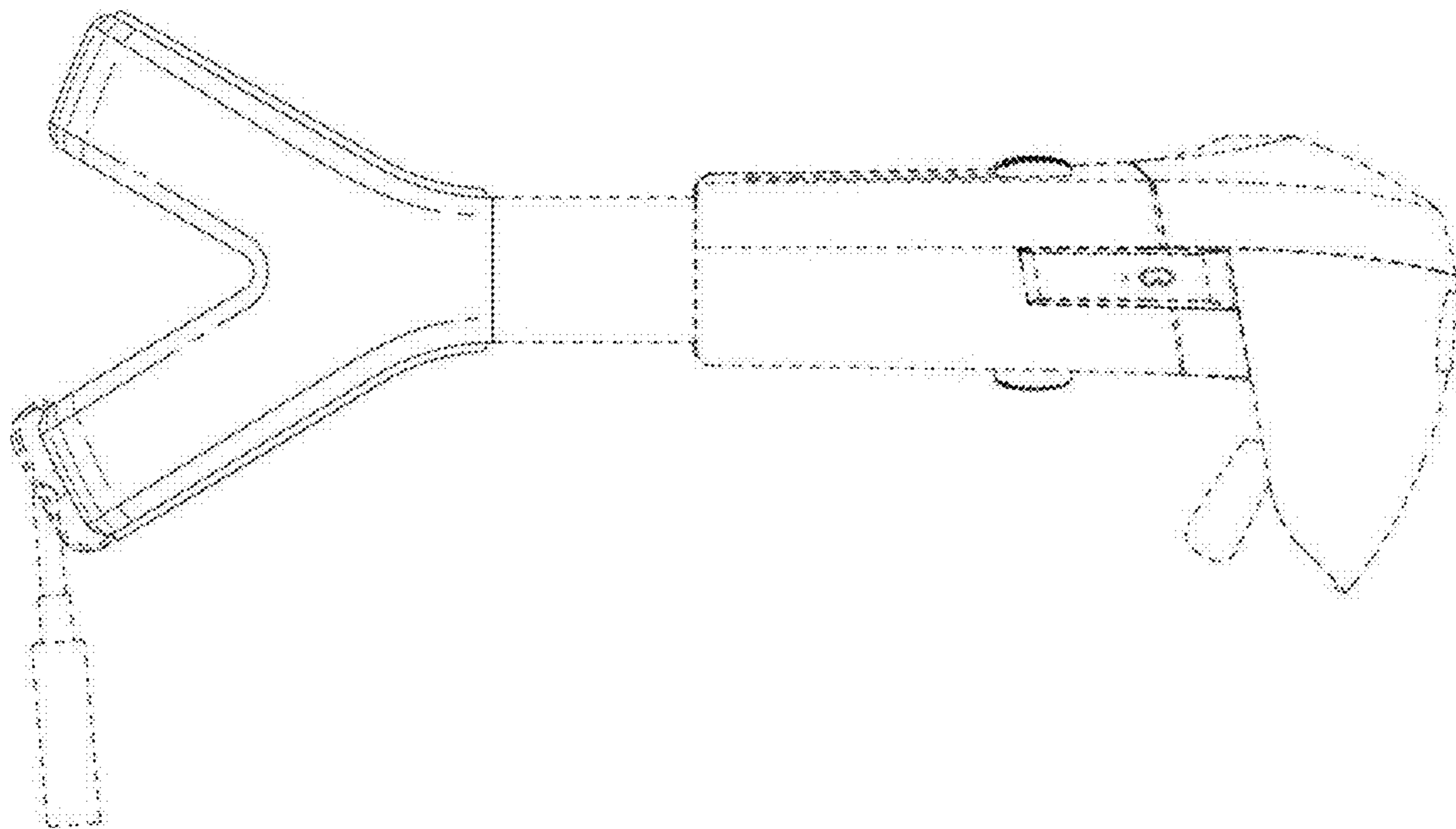




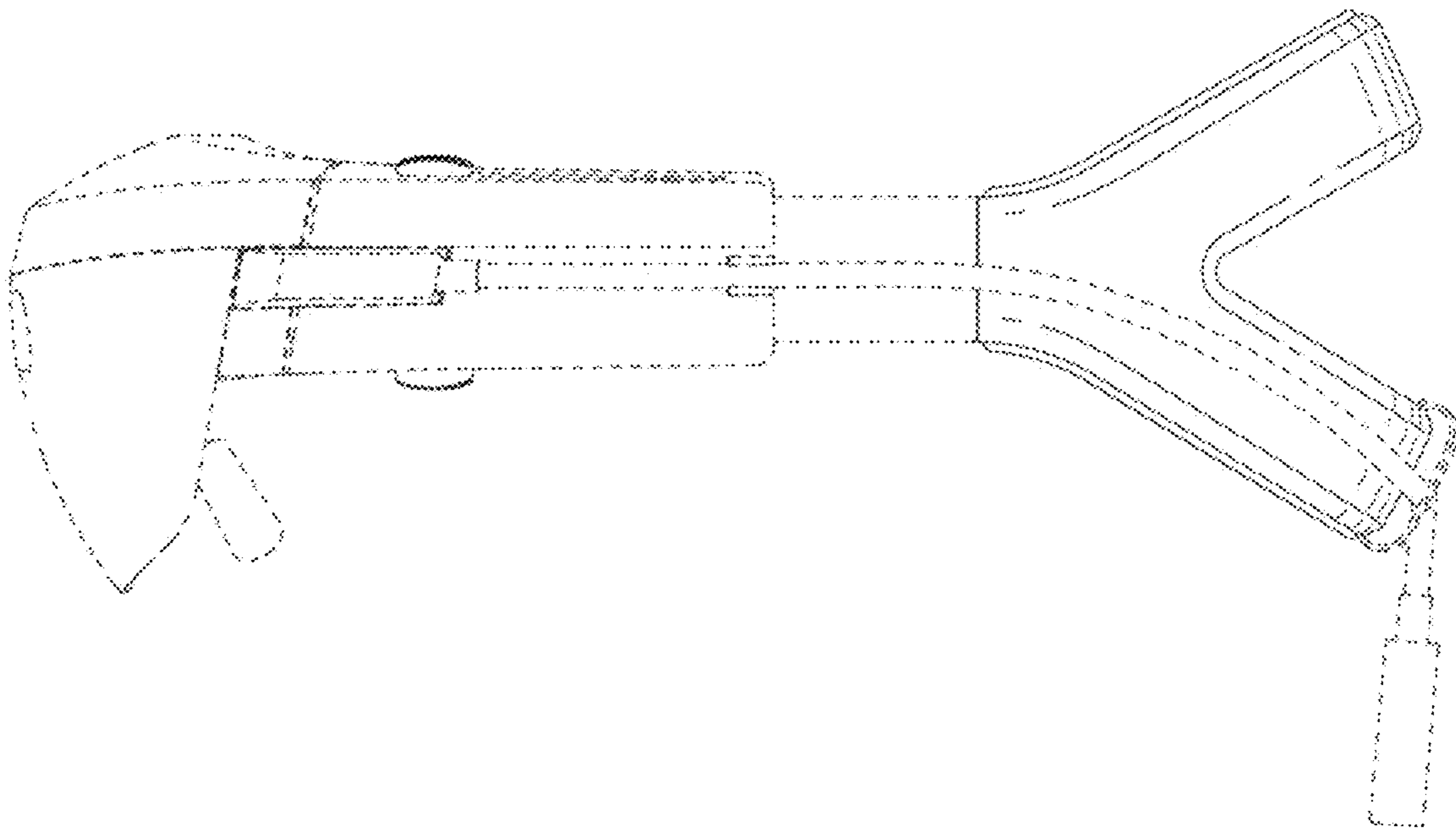
2.1



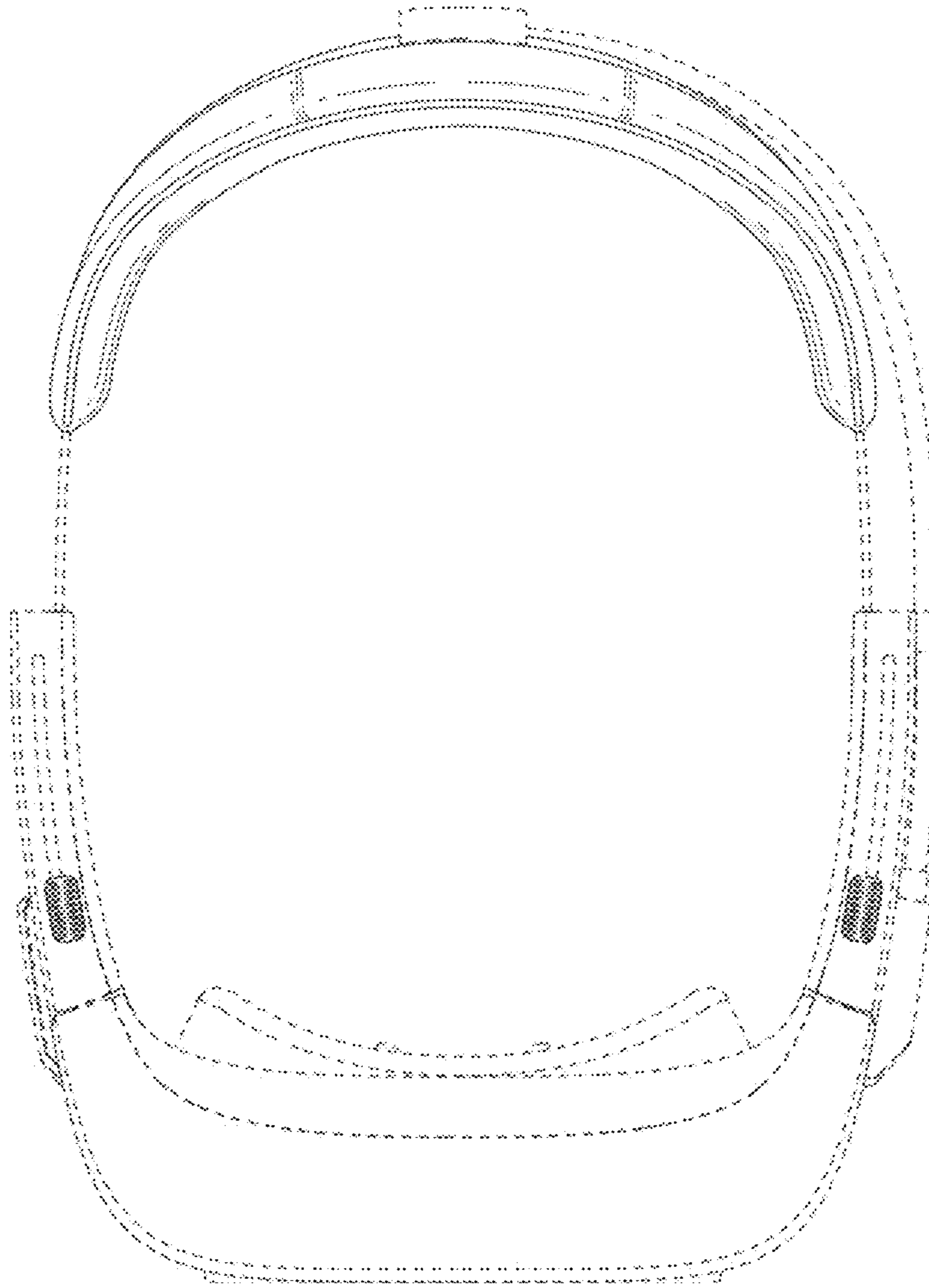
2.2



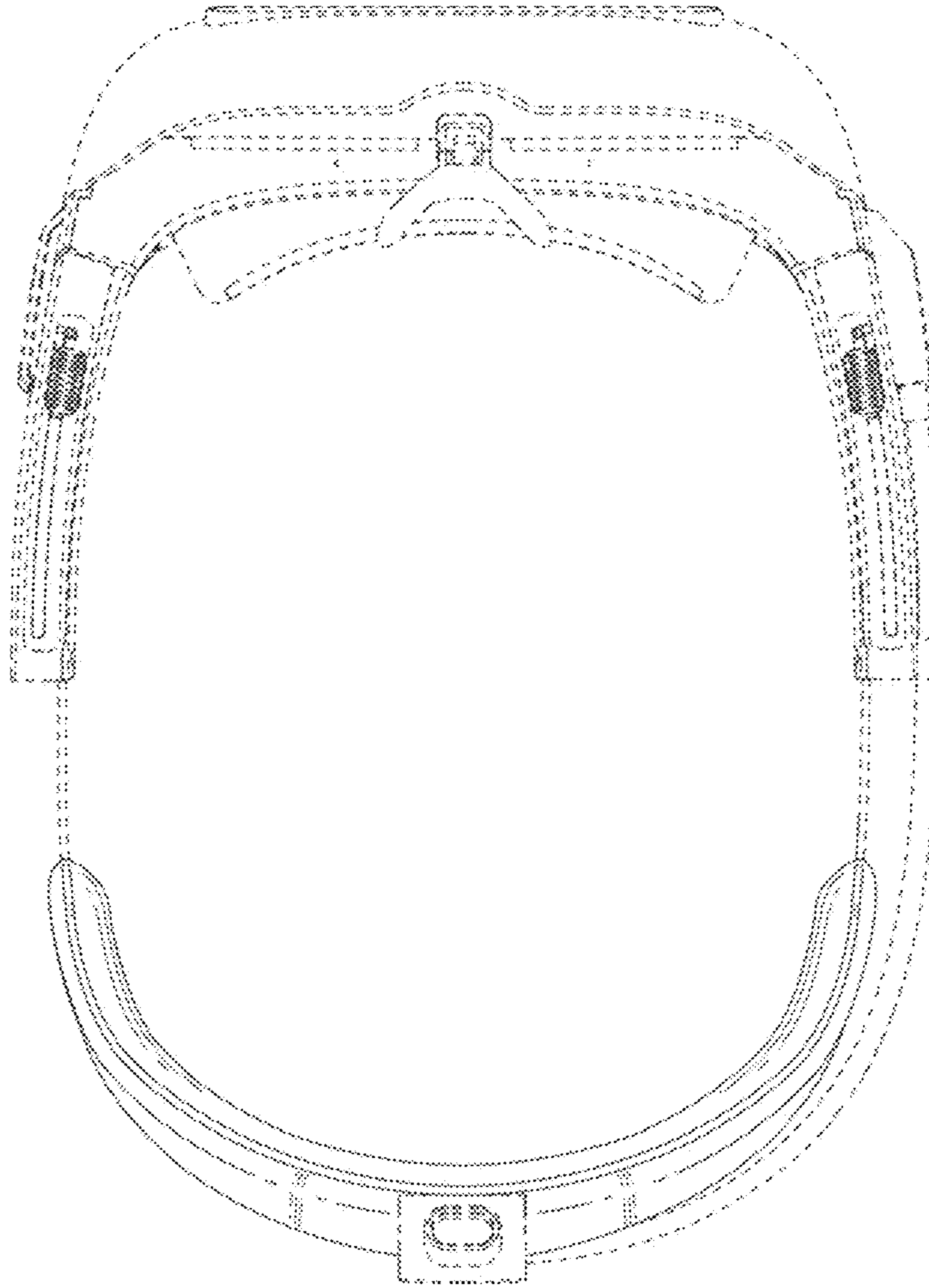
2.3



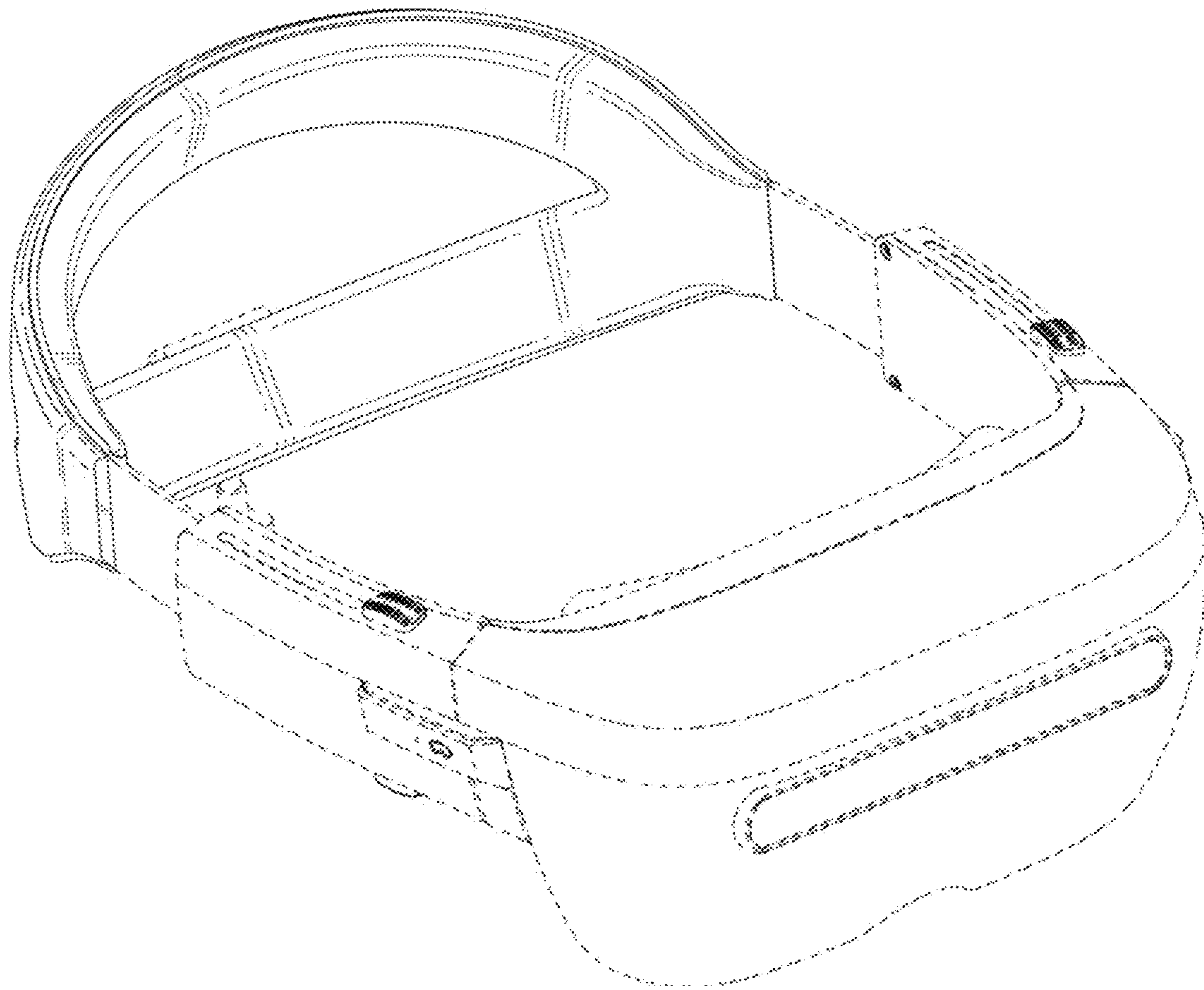
2.4



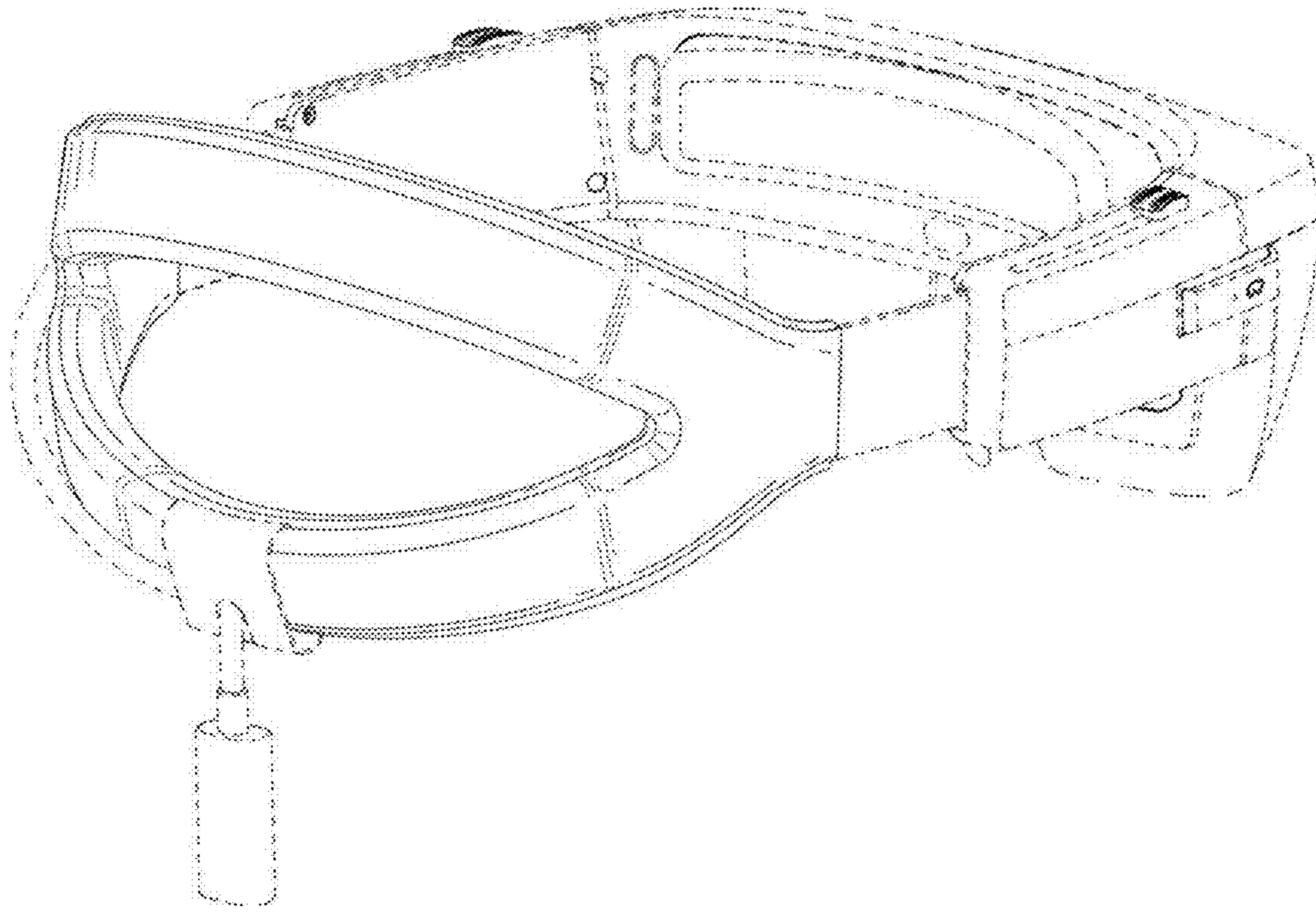
2.5



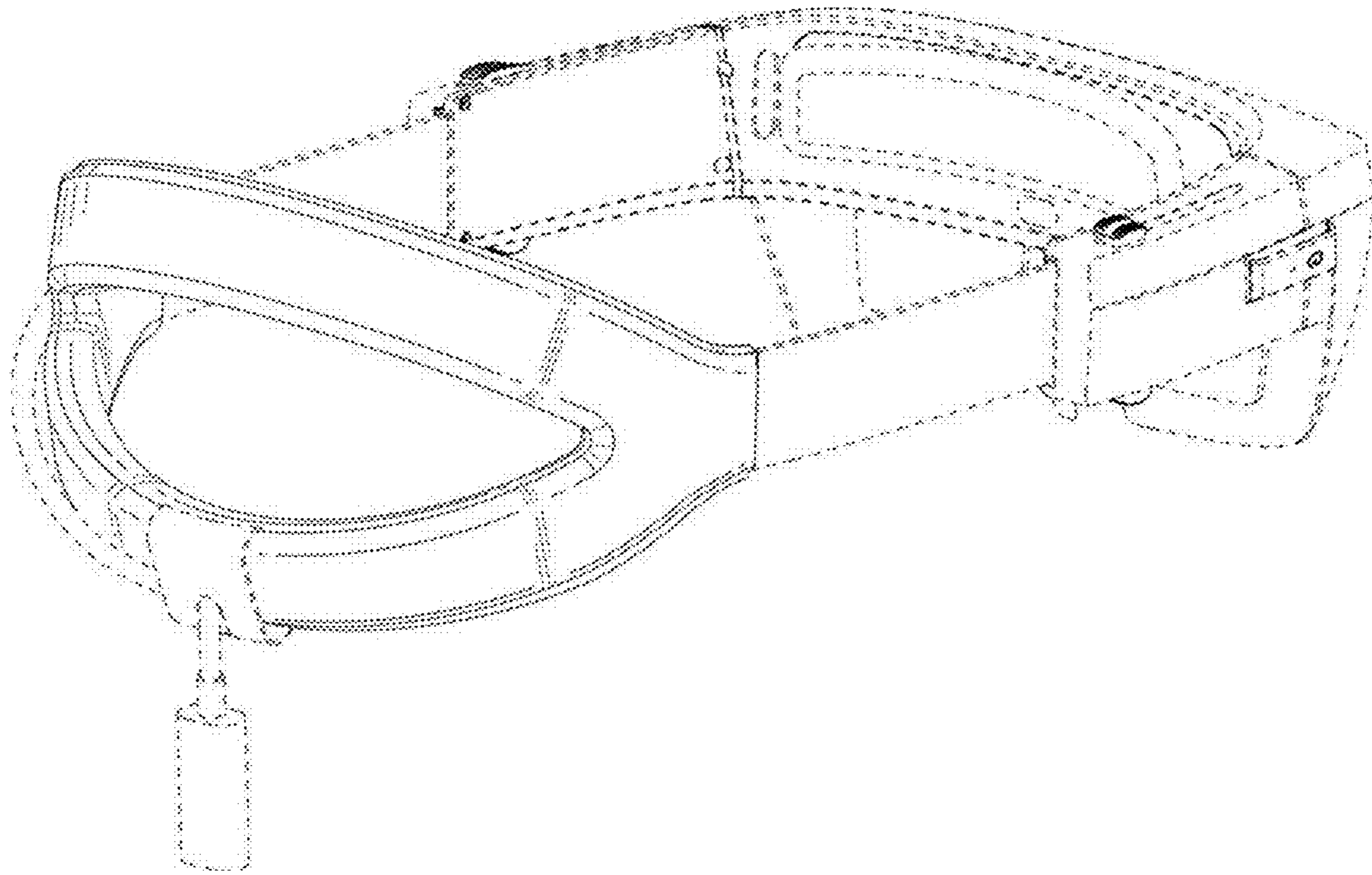
2.6



2.7



2.8



2.9