

US00D920973S

(12) **United States Design Patent** (10) **Patent No.:** **US D920,973 S**
Lee (45) **Date of Patent:** **** Jun. 1, 2021**

(54) **DISPLAY DEVICE**

- (71) Applicant: **SAMSUNG DISPLAY CO., LTD.,**
Yongin-si (KR)
- (72) Inventor: **Sang Wol Lee,** Yongin-si (KR)
- (73) Assignee: **Samsung Display Co., Ltd.,** Yongin-si (KR)
- (**) Term: **15 Years**
- (21) Appl. No.: **29/733,317**
- (22) Filed: **Apr. 30, 2020**

Related U.S. Application Data

- (63) Continuation of application No. 29/627,603, filed on Nov. 28, 2017, now Pat. No. Des. 901,495.

(30) **Foreign Application Priority Data**

May 31, 2017 (KR) 30-2017-0024699

- (51) **LOC (13) Cl.** **14-02**
- (52) **U.S. Cl.**
USPC **D14/345**
- (58) **Field of Classification Search**
USPC D14/315–318, 341–347, 420, 426, 240,
D14/129–130, 496, 137, 138 R, 138 AA,
(Continued)

(56) **References Cited**

U.S. PATENT DOCUMENTS

- D749,571 S 2/2016 Park et al.
 - D770,448 S 11/2016 Endo et al.
- (Continued)

FOREIGN PATENT DOCUMENTS

EM 003536457-0001 7/2019

OTHER PUBLICATIONS

Royole FlexPai, announced Oct. 31, 2018 [online], [retrieved Jan. 14, 2021]. Available from Internet, URL: <https://tabletmonkeys.com/royole-flexpai-worlds-the-first-foldable-tablet-announced/> (Year: 2018).*

(Continued)

Primary Examiner — Dana K Weiland

(74) *Attorney, Agent, or Firm* — Lewis Roca Rothgerber Christie LLP

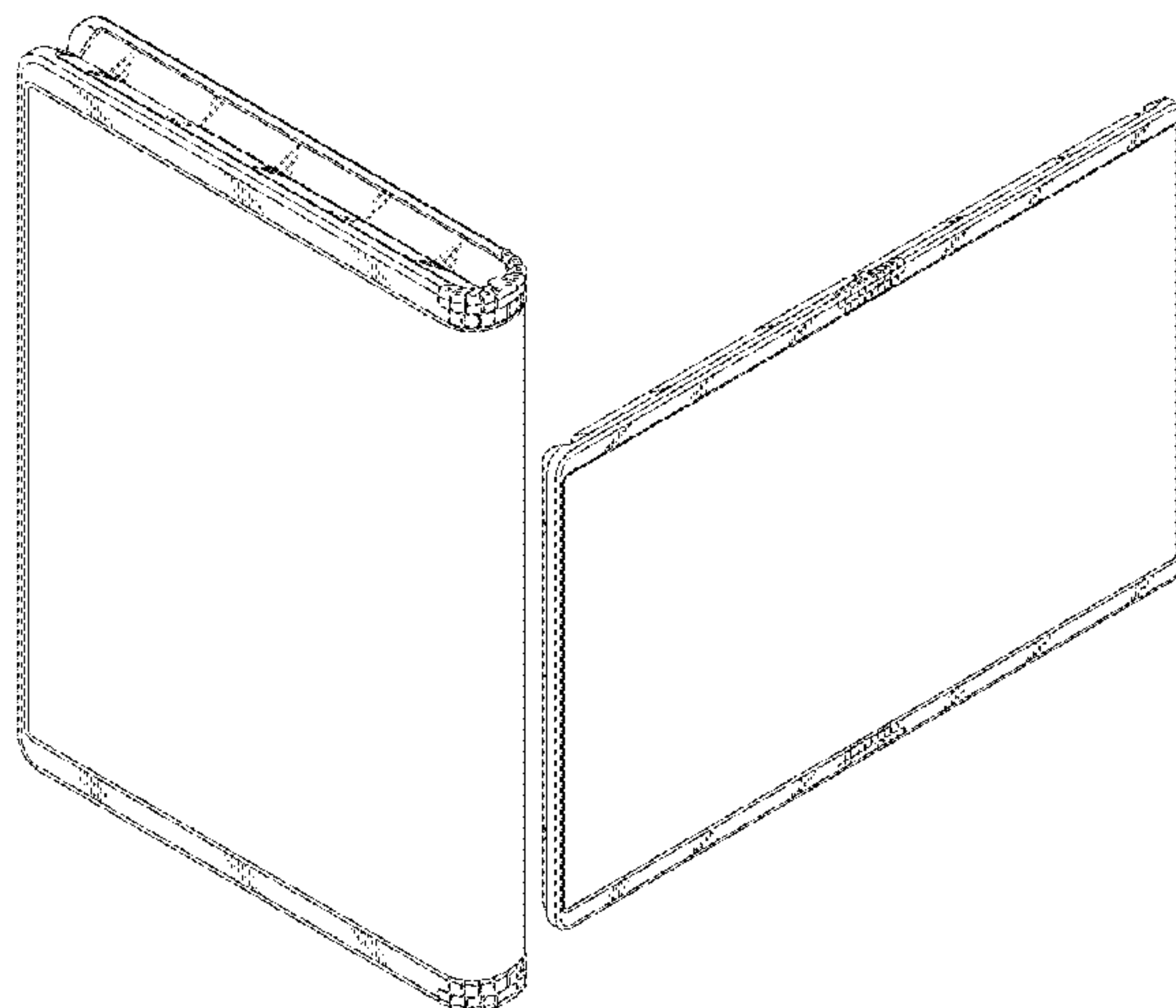
(57) **CLAIM**

The ornamental design for a display device, as shown and described.

DESCRIPTION

FIG. 1 is a front perspective view of a display device showing the new design in a folded state;
 FIG. 2 is a front view thereof, with the rear view being a mirror image thereof;
 FIG. 3 is a left side view thereof;
 FIG. 4 is a right side view thereof;
 FIG. 5 is a top view thereof, with the bottom view being a mirror image thereof;
 FIG. 6 is a perspective view of the display device in an unfolded state;
 FIG. 7 is a front view thereof;
 FIG. 8 is a rear view thereof;
 FIG. 9 is a left side view thereof, with the right side view being a mirror image thereof;
 FIG. 10 is a top view thereof, with the bottom view being a mirror image thereof;
 FIG. 11 is a front perspective view of the display device shown in FIG. 1 shown with an image displayed on the screen of the display; and,
 FIG. 12 is a front perspective view of the display device shown in FIG. 6 shown with an image displayed on the screen of the display.
 The broken line images shown on the screen of the display in FIGS. 11 and 12 depict environment subject matter that forms no part of the claimed design. The remainder of the

(Continued)



broken lines shown in the drawings depict portions of the display device that form no part of the claimed design.

1 Claim, 12 Drawing Sheets

(58) Field of Classification Search

USPC D14/138 AB, 138 AC, 136 AD, 138 C, D14/138 G, 147, 203.1–203.8, 218, 247, D14/371, 248, 388–389, 374; D6/308, D6/310; D10/104.1, 50, 65; D18/6–7; D19/26, 59, 60; D21/324, 329, 330, 332
 CPC G06F 3/044; G06F 1/1613; G06F 1/1626; G06F 2200/1633; G06F 3/0488; G06F 3/04886; G06F 3/0412; G06F 3/0416; G06F 1/1616; G06F 1/1618; G06F 1/162; G06F 15/0291; G06F 15/0283; H04B 1/3833

See application file for complete search history.

(56) References Cited

U.S. PATENT DOCUMENTS

D776,108 S	1/2017	Hsu	
9,572,272 B2 *	2/2017	Lee	H05K 5/0021
D782,438 S	3/2017	Choo et al.	
D782,439 S	3/2017	Choo et al.	
D791,725 S	7/2017	Lee	
D797,729 S	9/2017	Park et al.	
D798,256 S	9/2017	Choo et al.	
D800,112 S	10/2017	Park et al.	
D804,472 S	12/2017	Seo et al.	
D811,393 S	2/2018	Ahn et al.	
D814,455 S	4/2018	Kwon	
9,934,706 B2 *	4/2018	Lim	H04M 1/0268
9,954,986 B2 *	4/2018	Shin	H04M 1/0254
D840,394 S	2/2019	Son et al.	
D841,646 S	2/2019	Son et al.	
D847,810 S	5/2019	Okuley et al.	

10,297,785 B2 *	5/2019	Ahn	H01L 51/5237
10,461,274 B2	10/2019	Kim	
10,542,128 B2 *	1/2020	Kang	G06F 1/1652
10,599,184 B2 *	3/2020	Kim	H05K 5/0017
D883,943 S *	5/2020	Oh	D14/138 AB
D894,144 S *	8/2020	Lee	D14/138 AB
D894,145 S *	8/2020	Lee	D14/138 AB
D897,301 S *	9/2020	Lee	D14/138 AB
D898,693 S *	10/2020	Lee	D14/138 AB
10,809,767 B2 *	10/2020	Ou	G06F 1/1681
D901,419 S *	11/2020	Lee	D14/138 AB
D901,422 S *	11/2020	Lee	D14/138 AB
D901,489 S *	11/2020	Seo	D14/341
D901,494 S *	11/2020	Kim	D14/345
D901,495 S *	11/2020	Lee	D14/345
D902,167 S *	11/2020	Lee	D14/138 AB
10,831,243 B2 *	11/2020	Kim	G06F 1/1641
D906,994 S *	1/2021	Lee	D14/138 AB
2014/0029212 A1	1/2014	Hwang et al.	
2015/0257289 A1 *	9/2015	Lee	H04M 1/0268 361/749
2017/0142847 A1 *	5/2017	Park	G09F 9/301
2017/0357289 A1 *	12/2017	Ahn	G06F 1/1652
2018/0373297 A1	12/2018	Liao et al.	
2019/0346887 A1	11/2019	Park et al.	
2020/0137908 A1 *	4/2020	Yoo	F16C 29/02
2020/0225703 A1 *	7/2020	Kulkarni	G06F 1/1616
2020/0249898 A1 *	8/2020	Ko	G06F 3/01
2020/0253068 A1 *	8/2020	Cha	G06F 1/1652
2020/0264670 A1 *	8/2020	Zhu	G06F 1/1652
2020/0326751 A1 *	10/2020	Kim	G06F 1/1681
2020/0387195 A1 *	12/2020	Kim	G06F 1/1681
2021/0011514 A1 *	1/2021	Wang	G06F 1/1652

OTHER PUBLICATIONS

Preslav Kateliev, “The Flexible Samsung Galaxy Fold: all the rumors on design, price, release date, specs,” https://www.phonearena.com/news/Samsung-Galaxy-fold-foldable-price-release-date-design-specs_id104246, Feb. 12, 2019, 10 pages.

* cited by examiner

FIG. 1

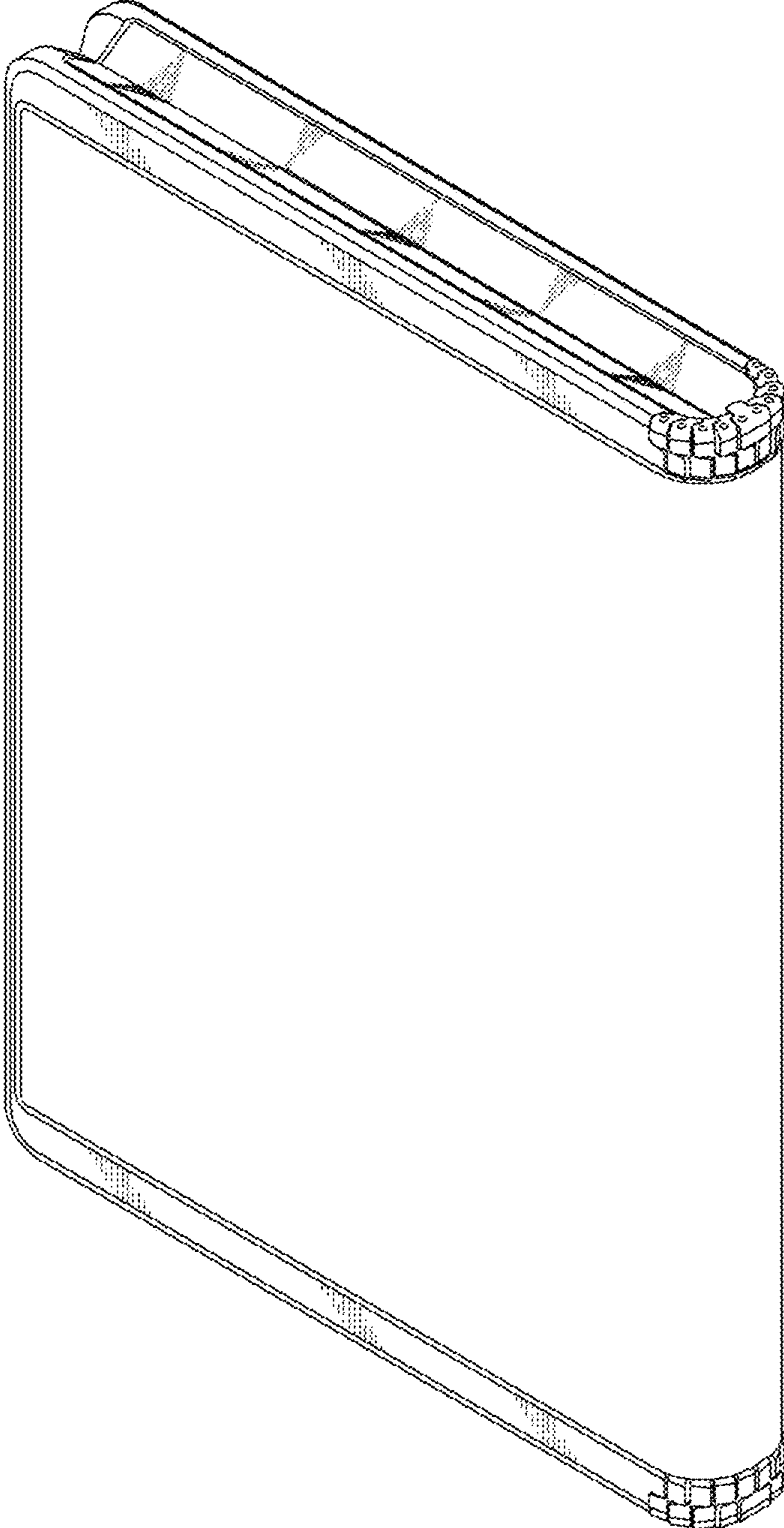


FIG. 2

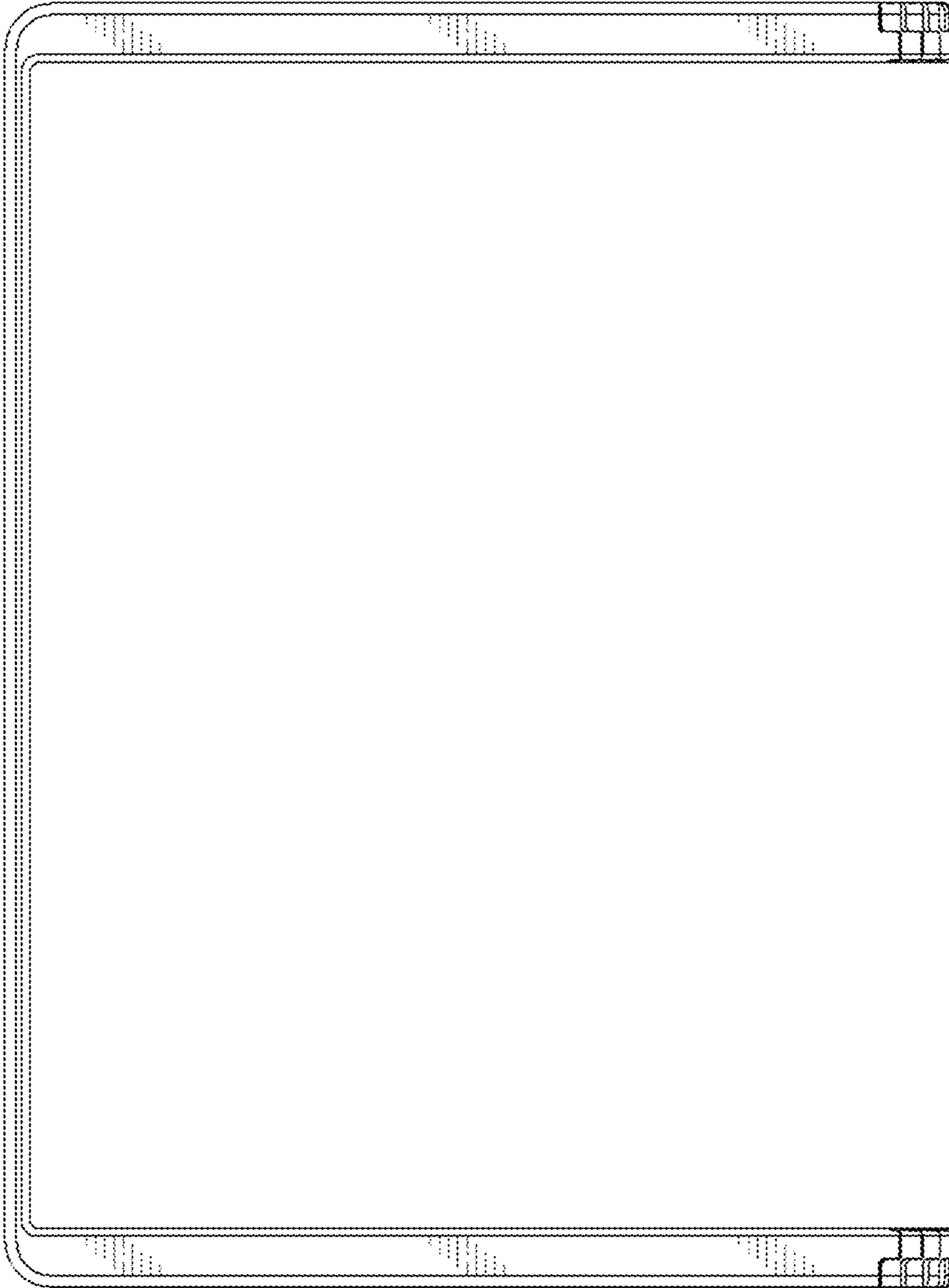


FIG. 3

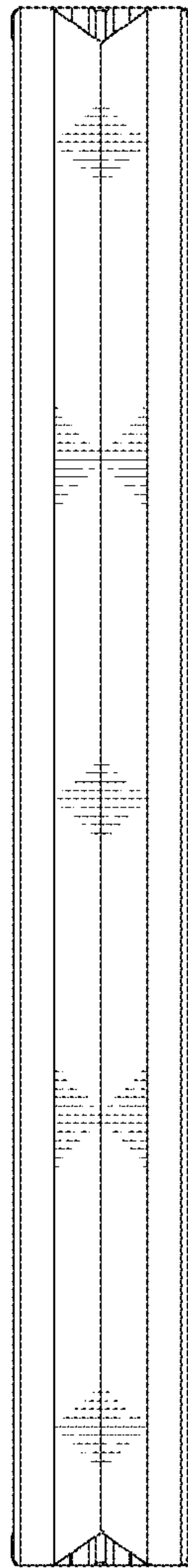


FIG. 4

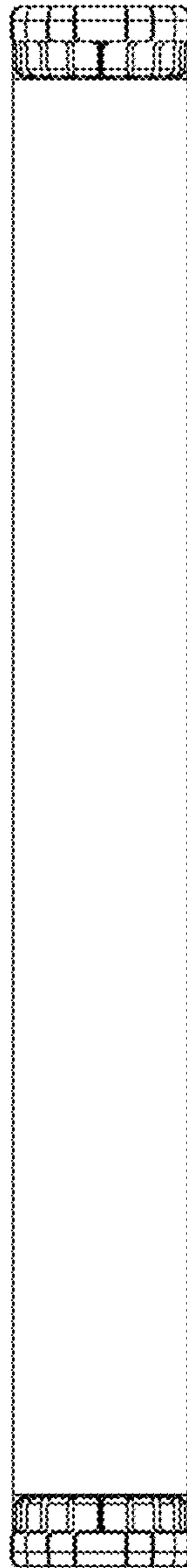


FIG. 5

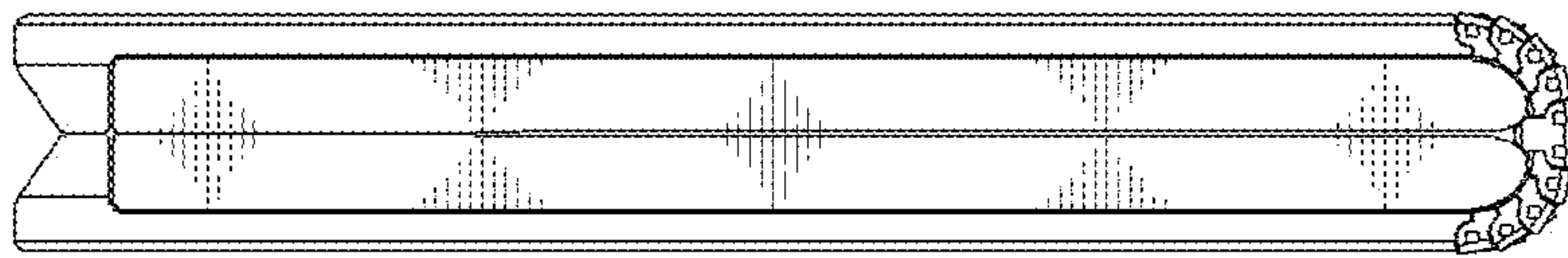


FIG. 6

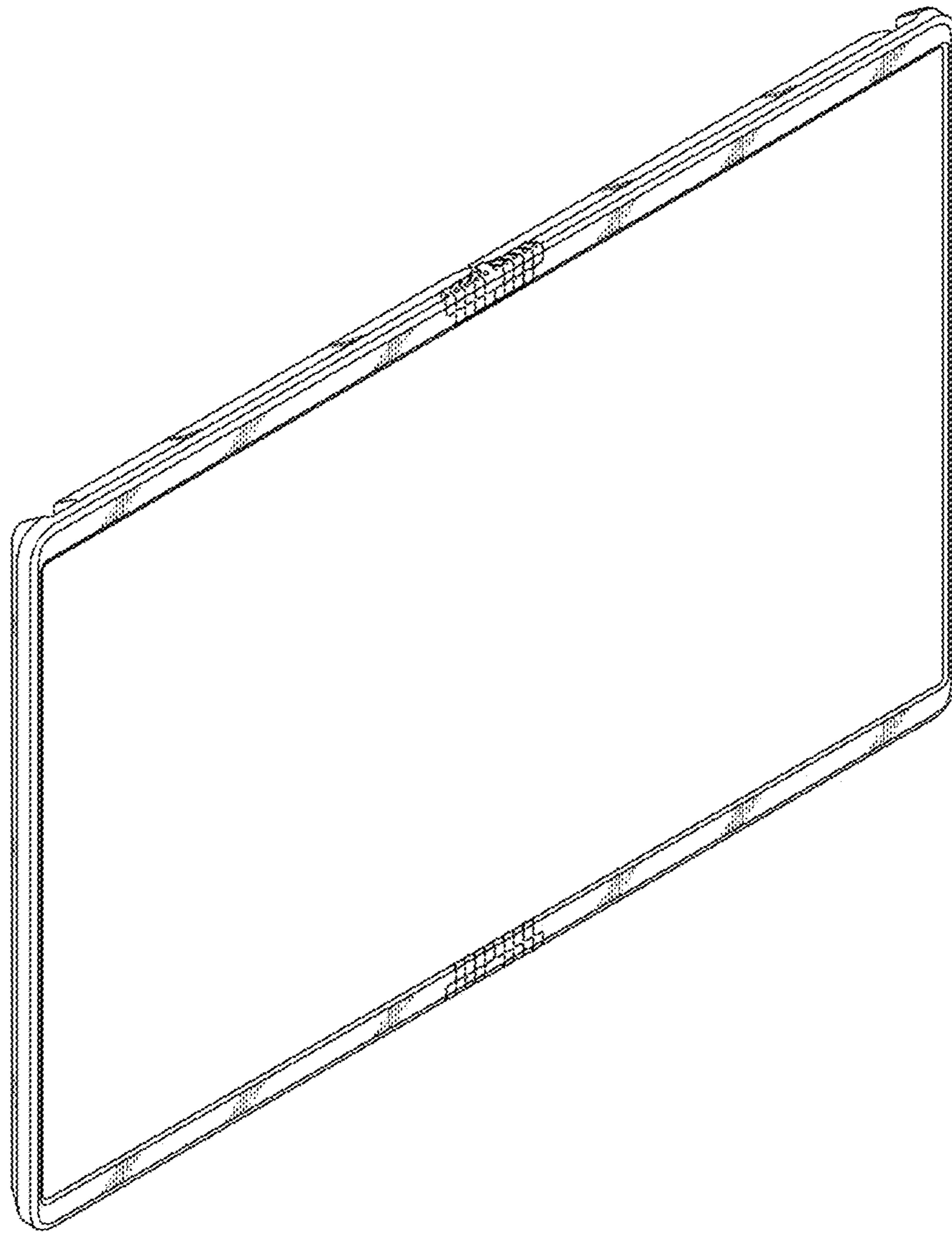


FIG. 7

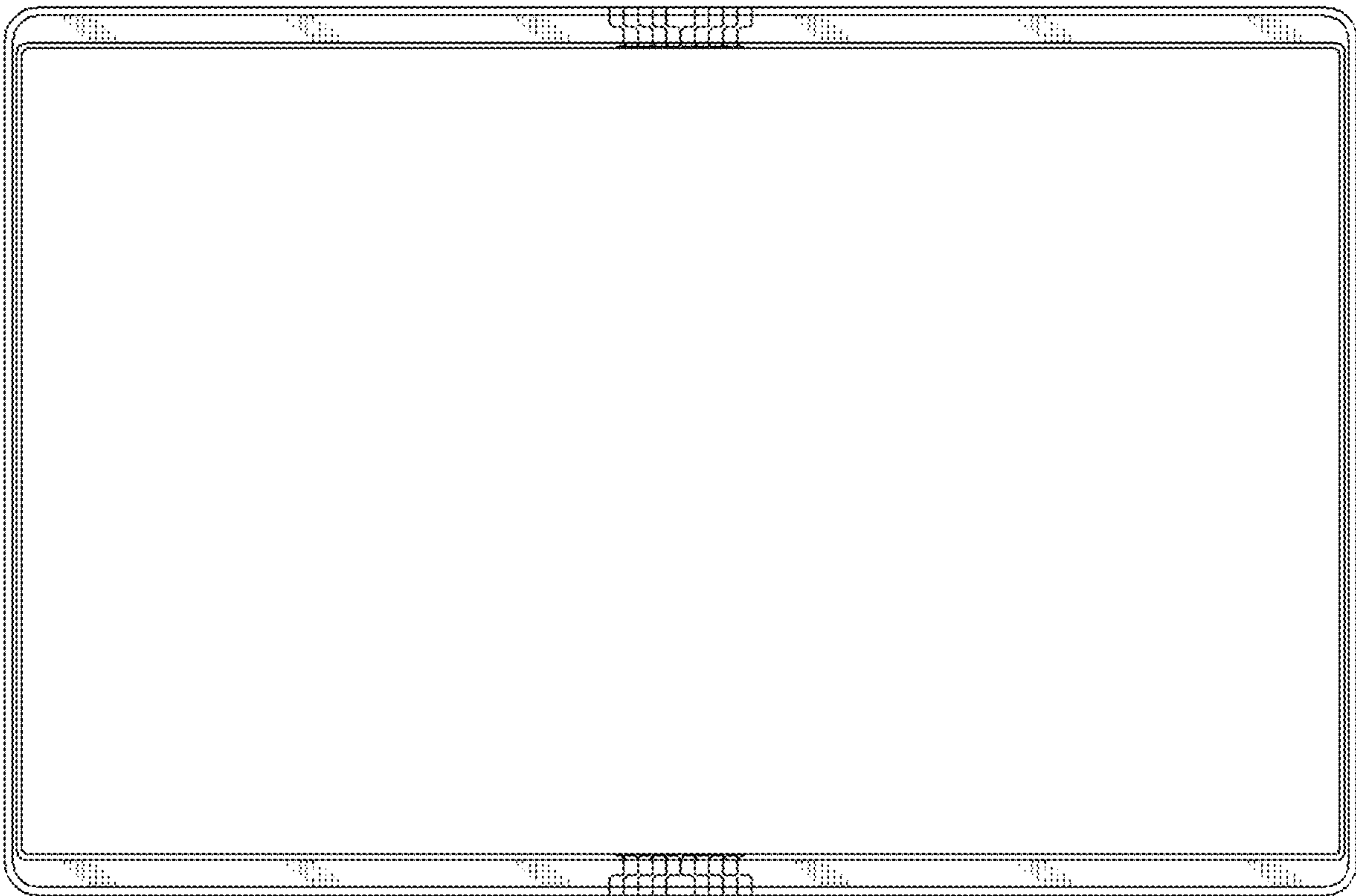


FIG. 8

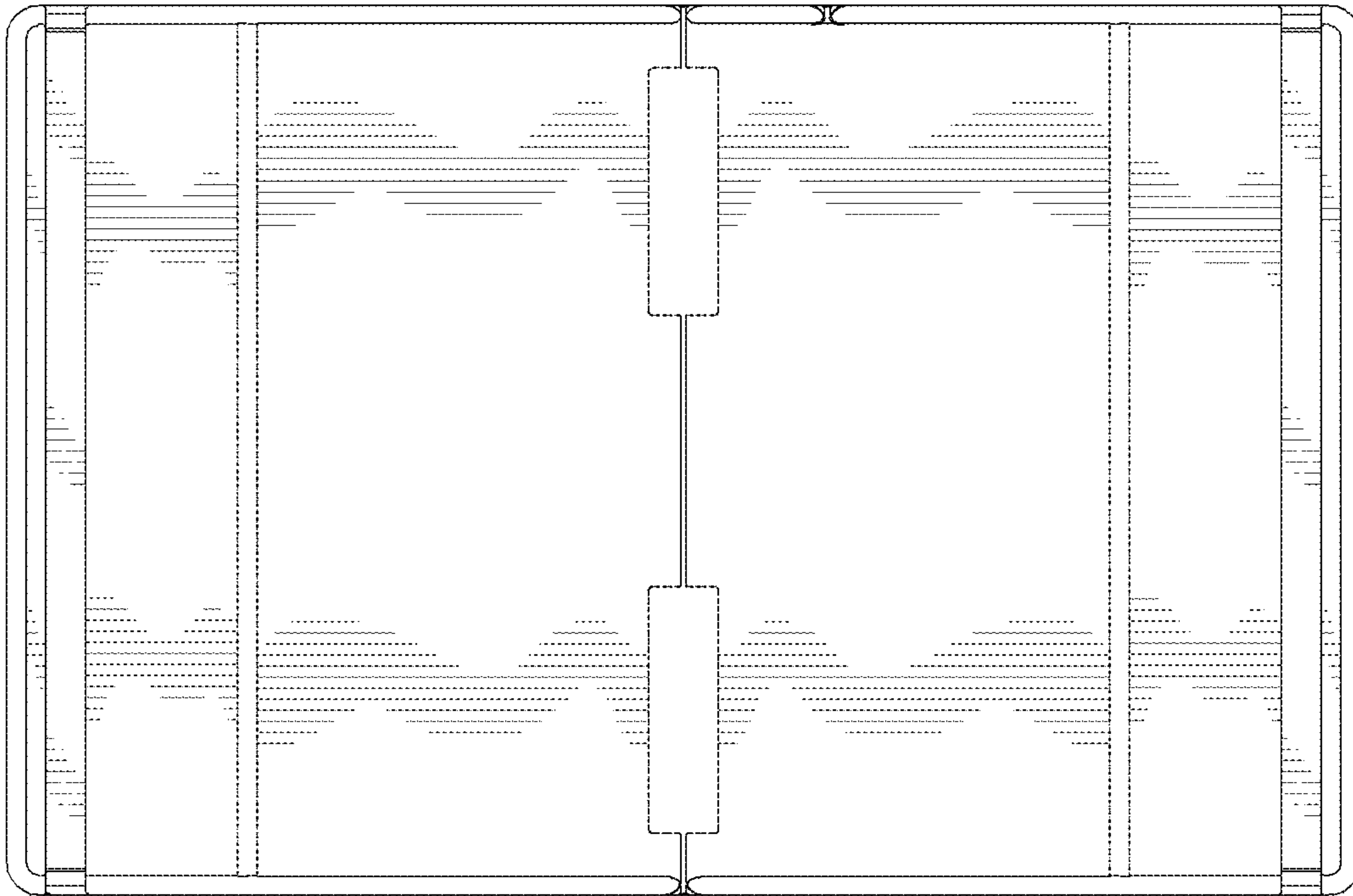


FIG. 9



FIG. 10

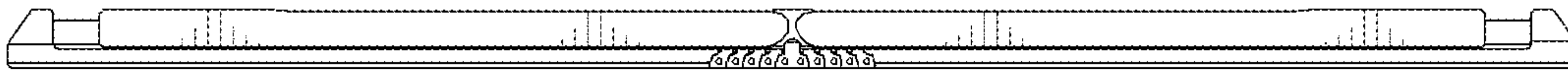


FIG. 11

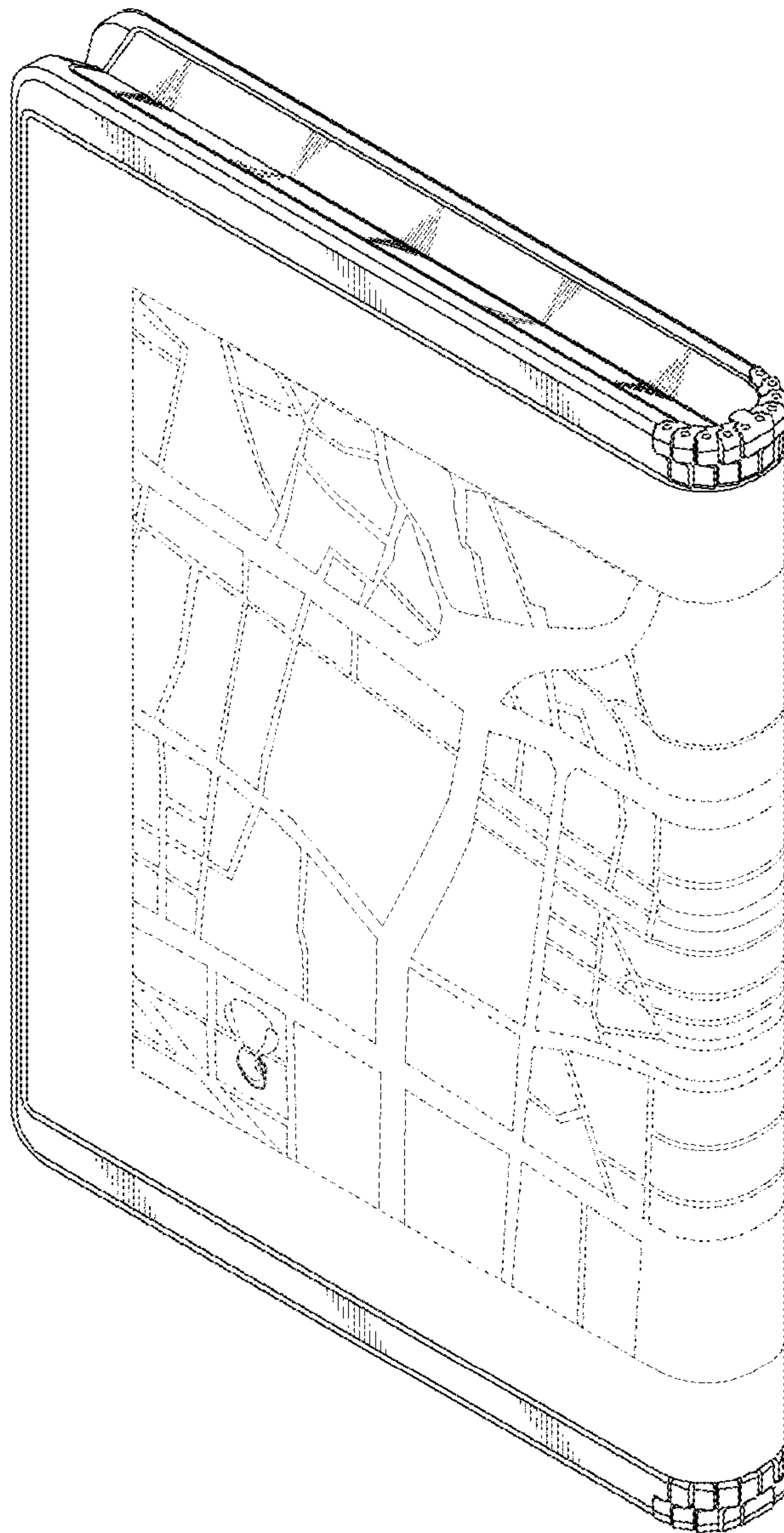


FIG. 12

