



US00D920972S

(12) **United States Design Patent** (10) **Patent No.:** **US D920,972 S**
Jung (45) **Date of Patent:** **** Jun. 1, 2021**

(54) **CASE FOR SMART WATCH**
(71) Applicant: **SPIGEN KOREA CO., LTD.**, Seoul (KR)
(72) Inventor: **Soo Ha Jung**, Seoul (KR)
(73) Assignee: **SPIGEN KOREA CO., LTD.**, Seoul (KR)

(**) Term: **15 Years**
(21) Appl. No.: **29/732,380**
(22) Filed: **Apr. 23, 2020**

Related U.S. Application Data

(63) Continuation of application No. 29/666,706, filed on Oct. 15, 2018, now Pat. No. Des. 882,564.
(51) **LOC (13) Cl.** **14-02**
(52) **U.S. Cl.**
USPC **D14/344**
(58) **Field of Classification Search**
USPC .. D14/138 R, 144, 341, 344, 358, 388, 218;
D10/30-39, 70, 98; D11/3, 4, 26, 93-94,
D11/78.1, 79, 86; D24/167, 169,
D24/186-187, 164
CPC A41D 1/002; A41D 19/0034; G04G 17/00;
G04G 17/02; G04G 17/08; G04G 17/083;
G04G 17/086; G04C 3/00; G04C 3/001;
G04C 3/002; G04C 3/004; G04C 3/005;
G04C 3/007; G04C 17/00; G04C 23/02;
G04C 23/04; G04B 3/04; G04B 19/24;
G04B 19/26; G04B 37/00; G04B
45/0069; G04B 47/04; G04B 37/0008;
G04B 37/0058; G04B 37/12; G04B
37/18; G04B 45/00; G04B 47/00; G04B
47/042; G04B 47/06; G04B 47/063

See application file for complete search history.

(56) **References Cited**
U.S. PATENT DOCUMENTS
D287,470 S * 12/1986 Houlihan D10/30
D380,391 S 7/1997 Osit
D536,266 S * 2/2007 Tomimatsu D10/38
D536,994 S * 2/2007 Sugisawa D10/31
D536,997 S * 2/2007 Asakawa D10/38
(Continued)

OTHER PUBLICATIONS
Spigen Liquid Air Armor Designed for Samsung Galaxy Watch Case 46mm (2018), posted Aug. 25, 2018, [retrieved Jun. 18, 2020]. Retrieved from Internet, <URL: <https://www.amazon.com/Spigen-Designed-Samsung-Frontier-Smartwatch/dp/B07GTBC3WW?th=1>>.*

(Continued)

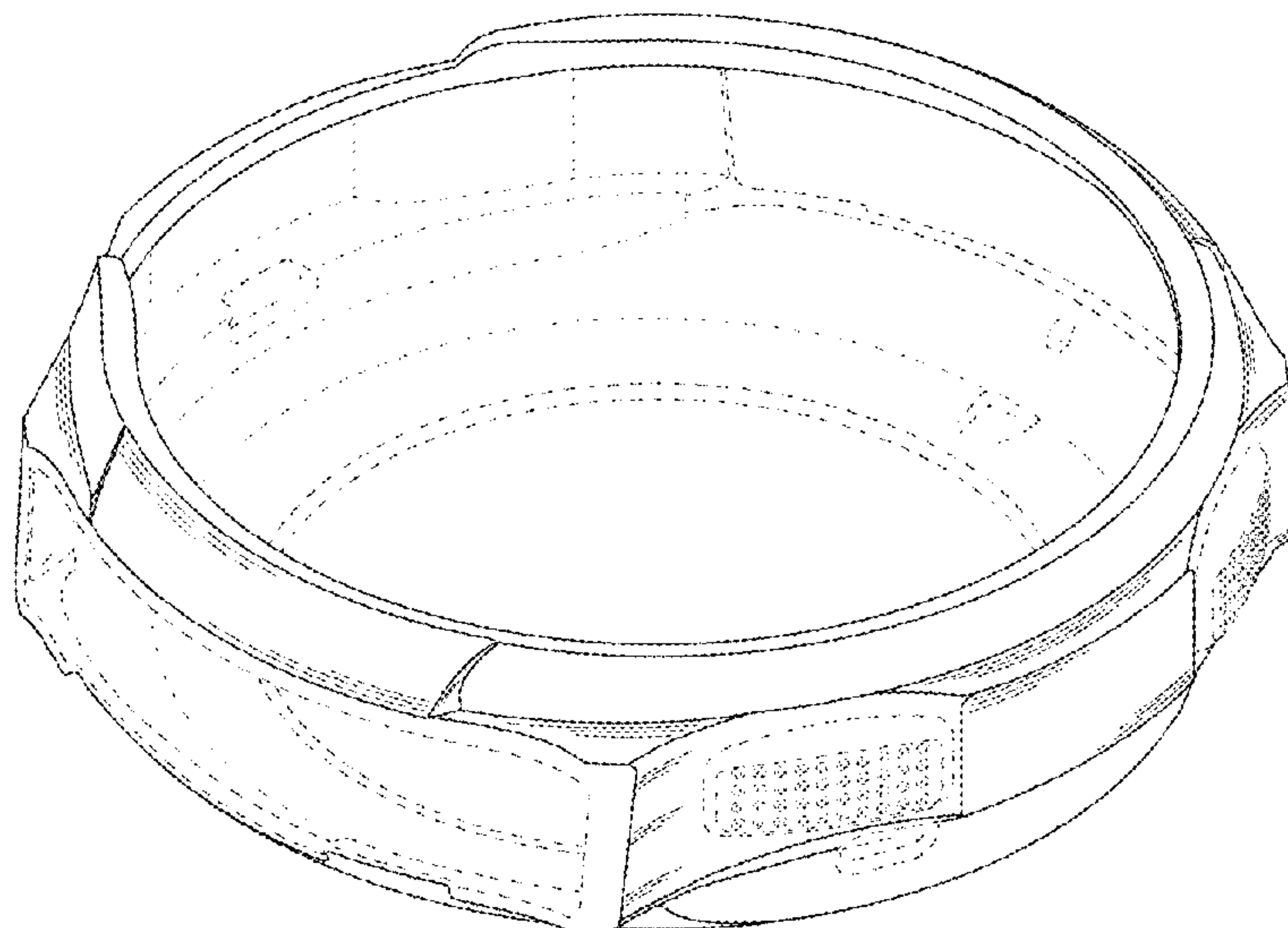
Primary Examiner — Sheryl Lane
Assistant Examiner — Calvin E Vansant
(74) *Attorney, Agent, or Firm* — Heedong Chae; Lucem, PC

(57) **CLAIM**
The ornamental design for a case for smart watch, as shown and described.

DESCRIPTION

FIG. 1 is a front perspective view of a case for smart watch showing my new design;
FIG. 2 is another front perspective view thereof;
FIG. 3 is a front elevational view thereof;
FIG. 4 is a rear elevational view thereof;
FIG. 5 is a left side elevational view thereof;
FIG. 6 is a right side elevational view thereof;
FIG. 7 is a top plan view thereof; and,
FIG. 8 is a bottom plan view thereof.
The broken lines throughout the drawing figures depict portions of the case for smart watch that form no part of the claimed design. The broken lines and regions bounded by broken lines form no part of the claimed design.

1 Claim, 8 Drawing Sheets



(56)

References Cited

U.S. PATENT DOCUMENTS

D539,669 S * 4/2007 Vaptzarof D10/31
 D638,324 S 5/2011 Tang
 7,946,758 B2 5/2011 Mooring
 D647,107 S 10/2011 Akana
 D656,135 S 3/2012 Swartz
 8,256,612 B1 9/2012 Wang
 D671,930 S 12/2012 Akana
 D674,789 S 1/2013 Wen
 D678,262 S 3/2013 Prato
 D681,483 S 5/2013 Biegert
 D688,582 S 8/2013 Wilson
 D688,967 S 9/2013 Wilson
 8,523,124 B2 9/2013 Yuan
 D693,709 S 11/2013 Lee
 D703,649 S 4/2014 Wikel
 D714,295 S 9/2014 Fujioka
 D716,312 S 10/2014 Fujioka
 D719,125 S 12/2014 Choi et al.
 D723,016 S 2/2015 Lee
 D728,549 S 5/2015 Su
 D730,225 S 5/2015 Behar
 D735,198 S 7/2015 Song
 D735,199 S 7/2015 Song
 D735,200 S 7/2015 Song
 D735,586 S * 8/2015 Stegmann D10/30
 D736,103 S 8/2015 Behling
 D740,704 S 10/2015 Park et al.
 D741,206 S 10/2015 Lim et al.
 D742,260 S 11/2015 Park et al.
 D743,282 S 11/2015 Park et al.
 D746,815 S 1/2016 Lim et al.
 D746,816 S 1/2016 Lim et al.
 D749,432 S * 2/2016 Daniel D10/126
 D752,044 S 3/2016 Akana
 D752,996 S 4/2016 Ebersold
 D754,133 S 4/2016 Chen
 D756,240 S 5/2016 Register et al.
 D759,507 S 6/2016 Bonadei et al.
 D766,904 S 9/2016 Jung
 D766,906 S 9/2016 Kim
 D767,573 S 9/2016 Kim
 D771,504 S 11/2016 Lai
 D772,868 S 11/2016 Park et al.
 D795,089 S 8/2017 Wright
 D797,098 S * 9/2017 Bang D14/344
 D798,744 S 10/2017 Wright
 D799,344 S 10/2017 Wright
 D803,210 S * 11/2017 Bang D14/344
 D815,090 S 4/2018 Chan et al.
 D817,952 S * 5/2018 Choi D14/344
 D823,841 S * 7/2018 Marini D14/238

D843,851 S 3/2019 Manzoni
 D882,564 S * 4/2020 Jung D14/344
 10,664,075 B2 * 5/2020 Kim G06F 3/0362
 2010/0061191 A1 3/2010 Chen
 2012/0257340 A1 10/2012 Kim
 2013/0222139 A1 8/2013 Gouge
 2017/0020453 A1 1/2017 Nakagawa

OTHER PUBLICATIONS

“Rugged Armor Designed for Apple Watch Case for 42mm Series 3/Series 2/1/Original (2015)—Black”, <https://www.amazon.com/dp/B00UVSNQPM>, Earliest review date of Apr. 30, 2015, Downloaded on Jan. 15, 2019.

“Spigen Tough Armor Designed for Apple Watch Case and Built in Screen Protector for 42mm (2015)—Gunmetal”, <https://www.amazon.com/dp/B00UVSOWBY/>, Earliest review date of May 7, 2015, Downloaded on Jan. 15, 2019.

“Spigen Tough Armor Designed for Apple Watch Case for 42mm Series 3 / Series 2/1 / Original (2015) / Nike+ Sport Edition and Built in Screen Protector—Gunmetal”, <https://www.amazon.com/dp/B01N74P26H/>, Earliest review date of Jan. 4, 2017, Downloaded on Jan. 15, 2019.

“Case Compatible for Samsung Gear S3 Frontier SM-R760,HMJ Band All-Around Protective Bumper Slim Plated TPU Case Scratch-Proof Cover Shell for Samsung Gear S3 Frontier/Classic Galaxy Watch 46mm SM-R800”, <https://www.amazon.com/dp/B072KZQYPR/>, Earliest review date of Jun. 25, 2017, Downloaded on Dec. 3, 2019.

“Spigen Tough Armor [2nd Generation] Designed for Apple Watch Case for 42mm Series 3 / Series 2/ Nike+ Sport Edition—Black”, <https://www.amazon.com/dp/B075FJT3FK/>, Earliest review date of Dec. 30, 2017, Downloaded on Jan. 15, 2019.

“LDFAS Galaxy Watch 46MM Case, (2 Pack) Silicone Shock-Proof and Protector Cover Compatible for Samsung Galaxy Watch 46MM (2018)/ Gear S3 Frontier (2017) Smartwatch Silver+Black”, <https://kuwait.desertcart.com/products/89094665>, Earliest review date of Mar. 10, 2018, Downloaded on Dec. 3, 2019.

“Case for Samsung Gear S3 Frontier SM-R760, Haojavo Soft TPU Plated Protective Bumper Shell Protector for Samsung Gear S3 Frontier/Classical & Galaxy Watch 46mm Smartwatch Bands Accessories”, <https://www.amazon.com/dp/B07GGSC9QS/>, Earliest review date of Aug. 20, 2018, Downloaded on Dec. 3, 2019.

“JZK Case for Samsung Galaxy Watch 46mm Gear S3 Screen Protector,Shatter-Resistant Protective Shell TPU Coveer Case for Samsung Gear S3 Frontier/Classical and Galaxy Watch 46mm Accessories,Silver”, <https://www.amazon.com/dp/B07GGKSKV1/>, Earliest review date of Sep. 3, 2018, Downloaded on Dec. 3, 2019.

* cited by examiner

FIG. 1

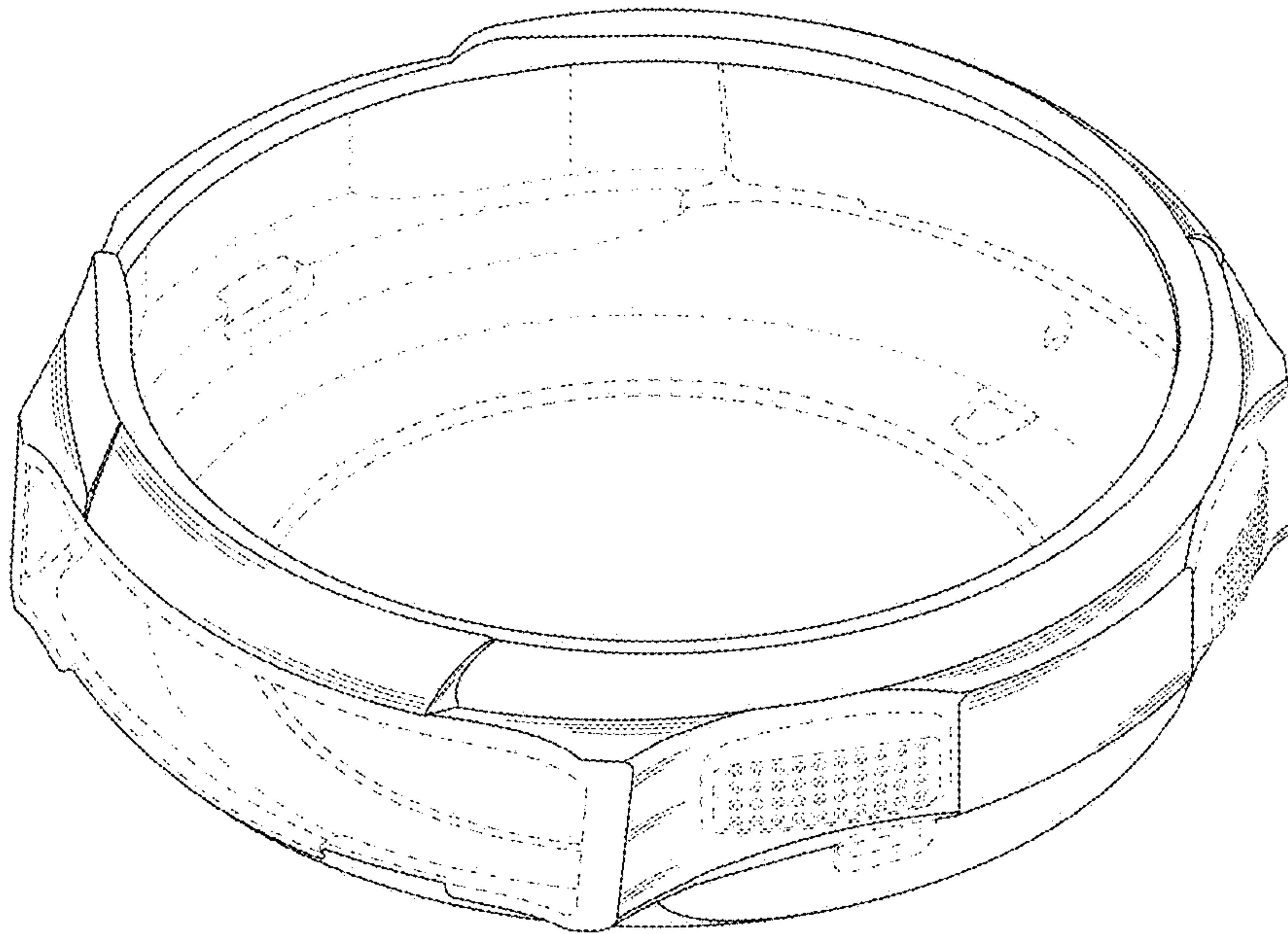


FIG. 2

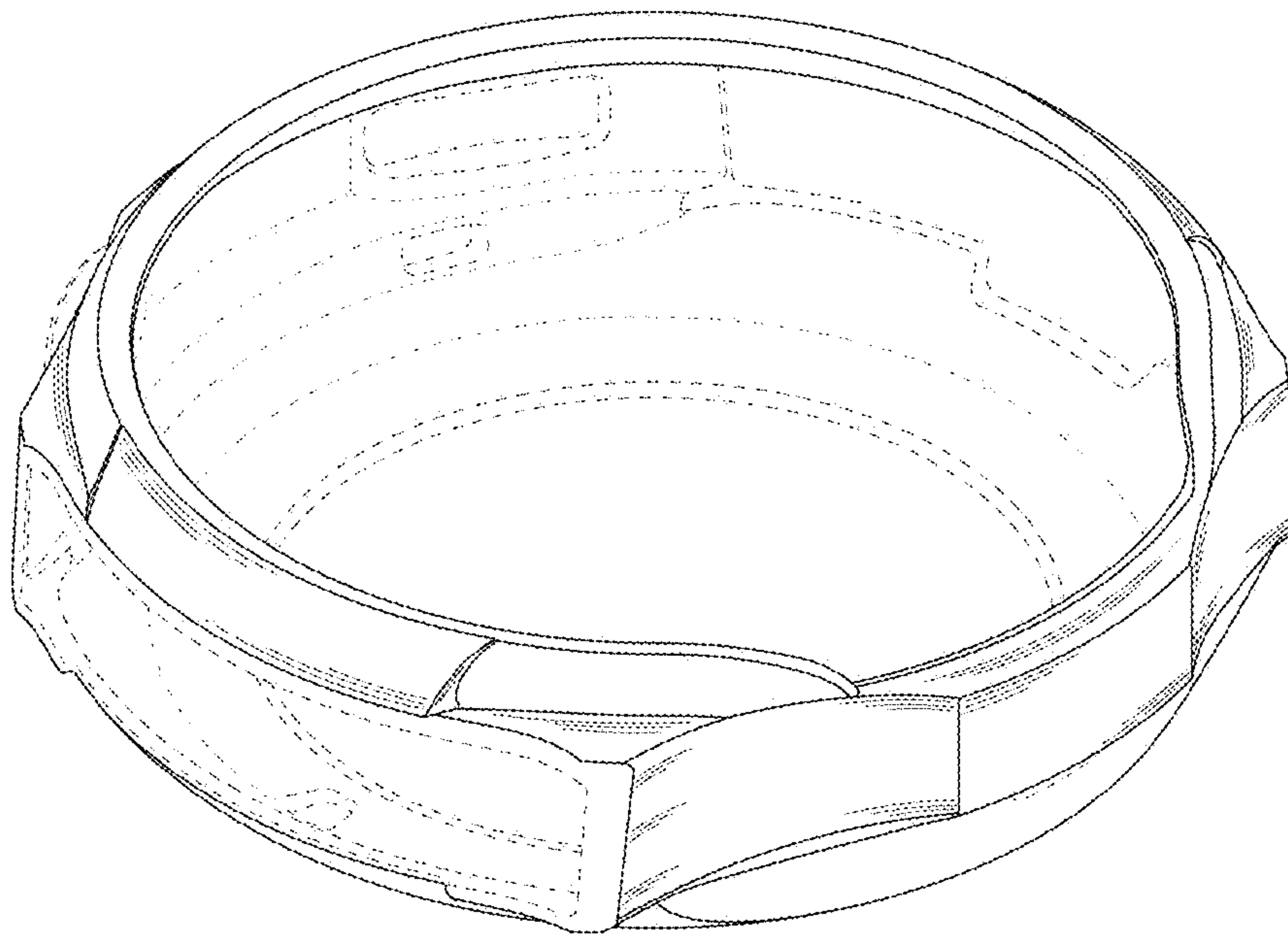


FIG. 3

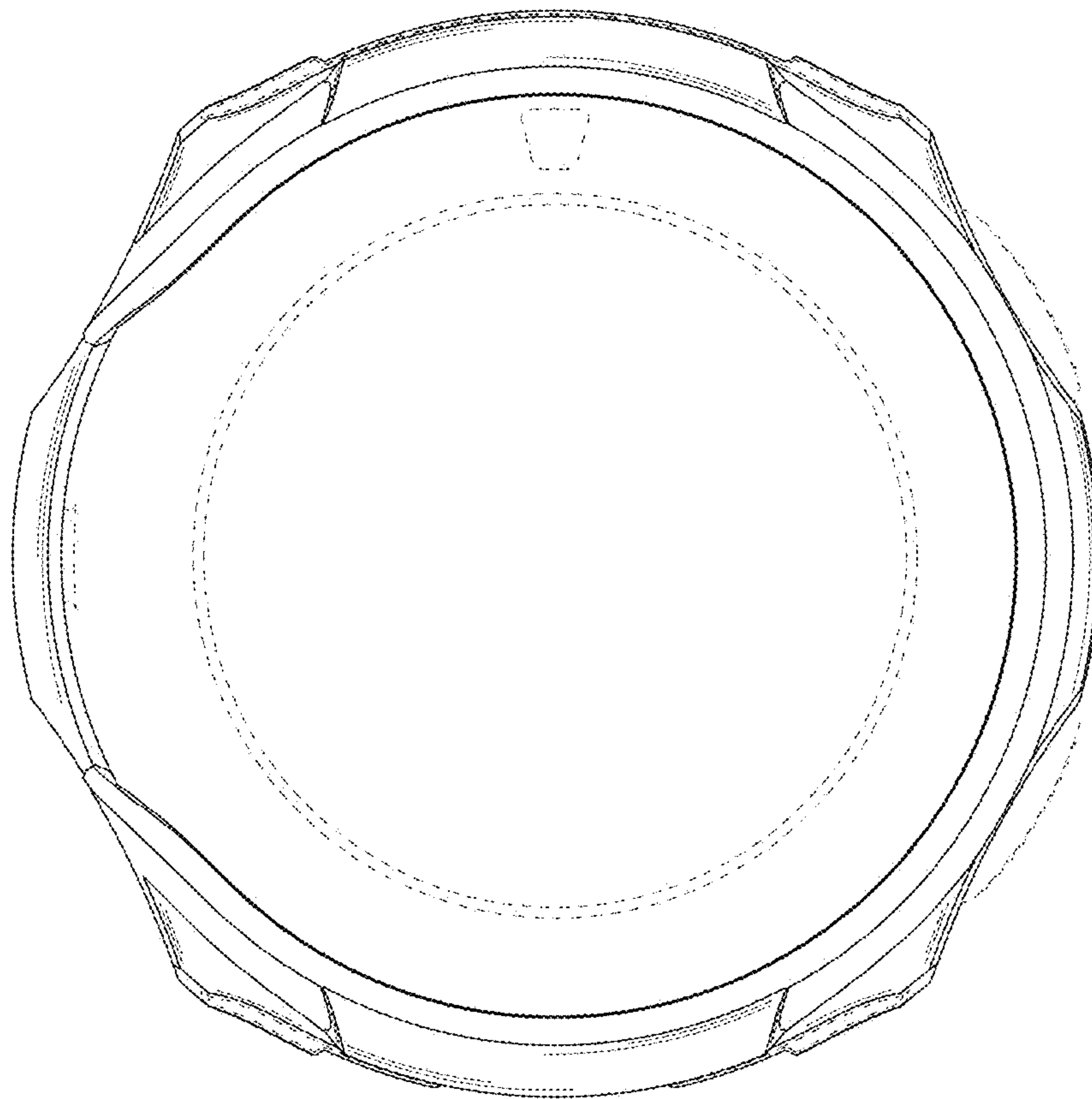


FIG. 4

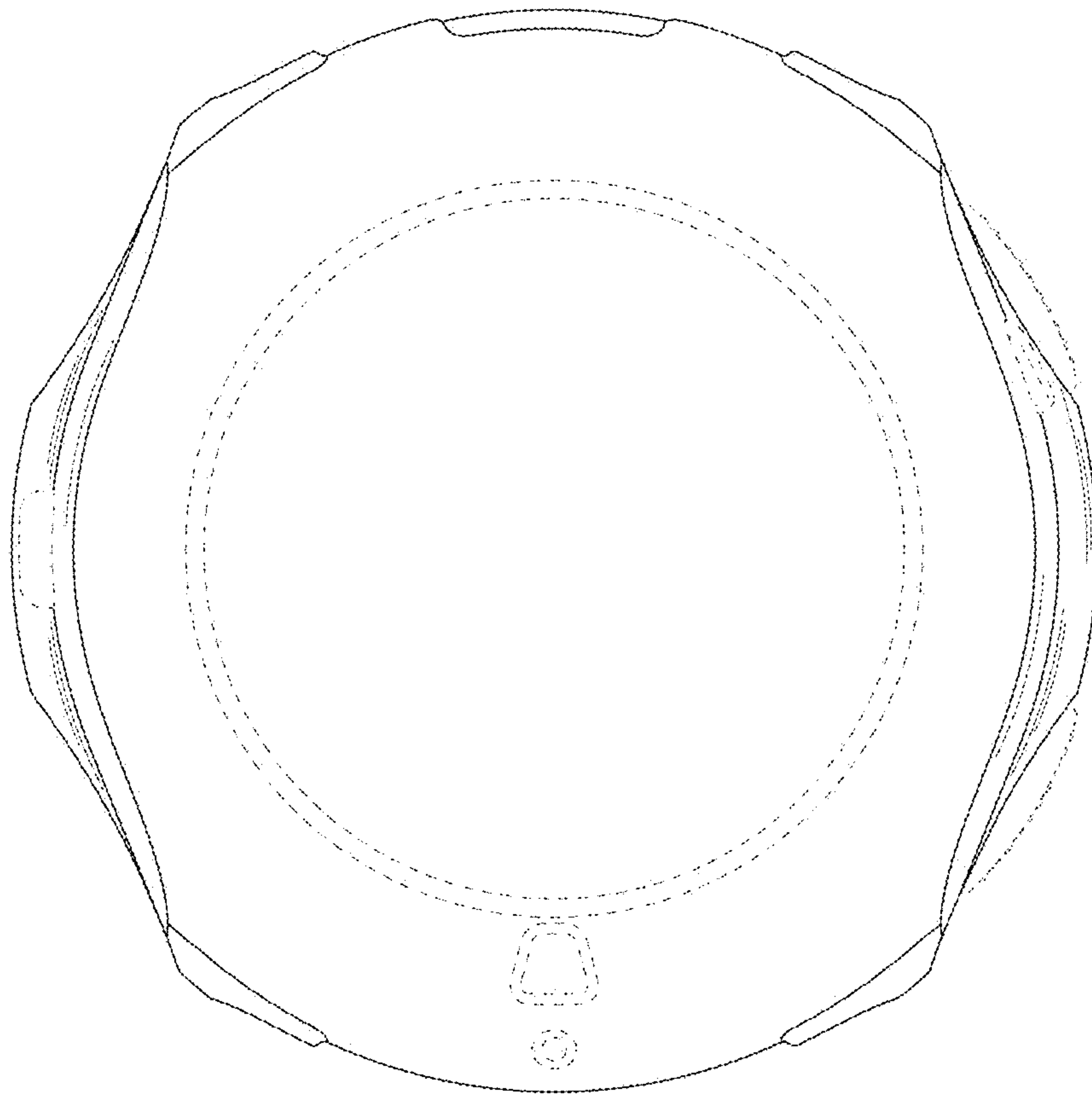


FIG. 5

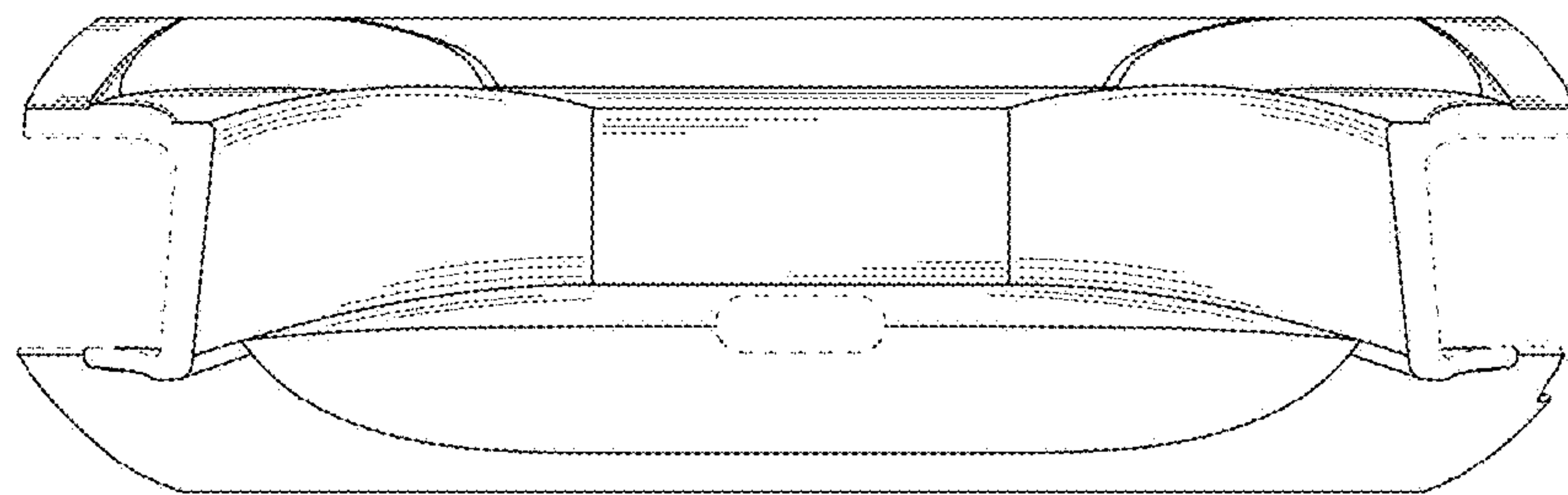


FIG. 6

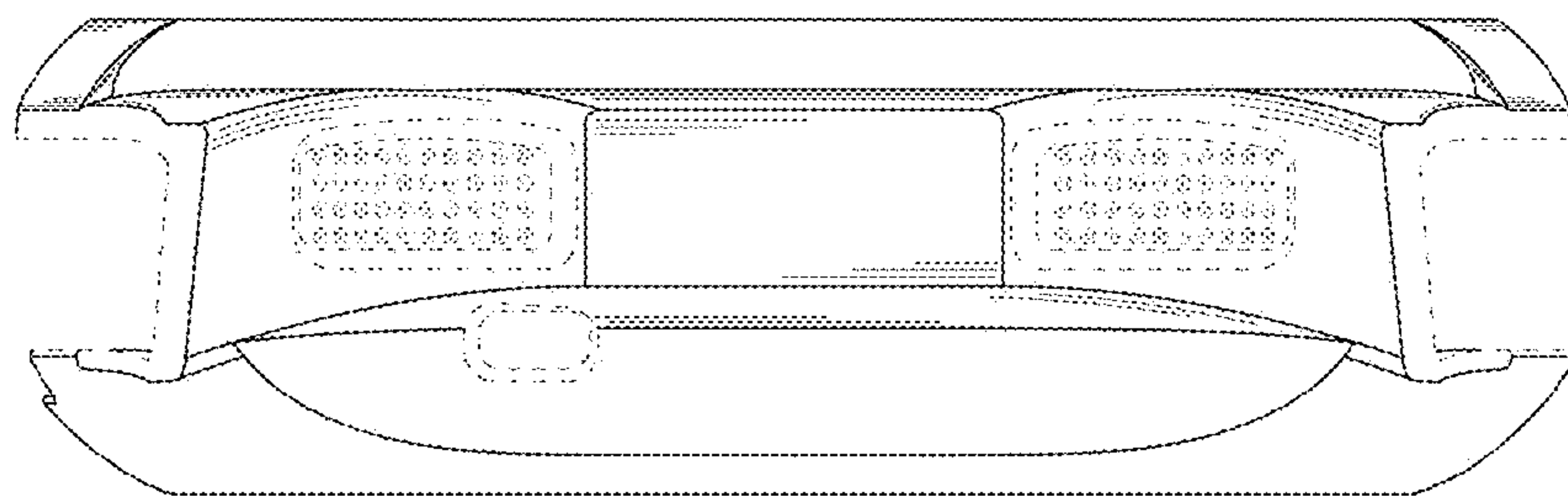


FIG. 7

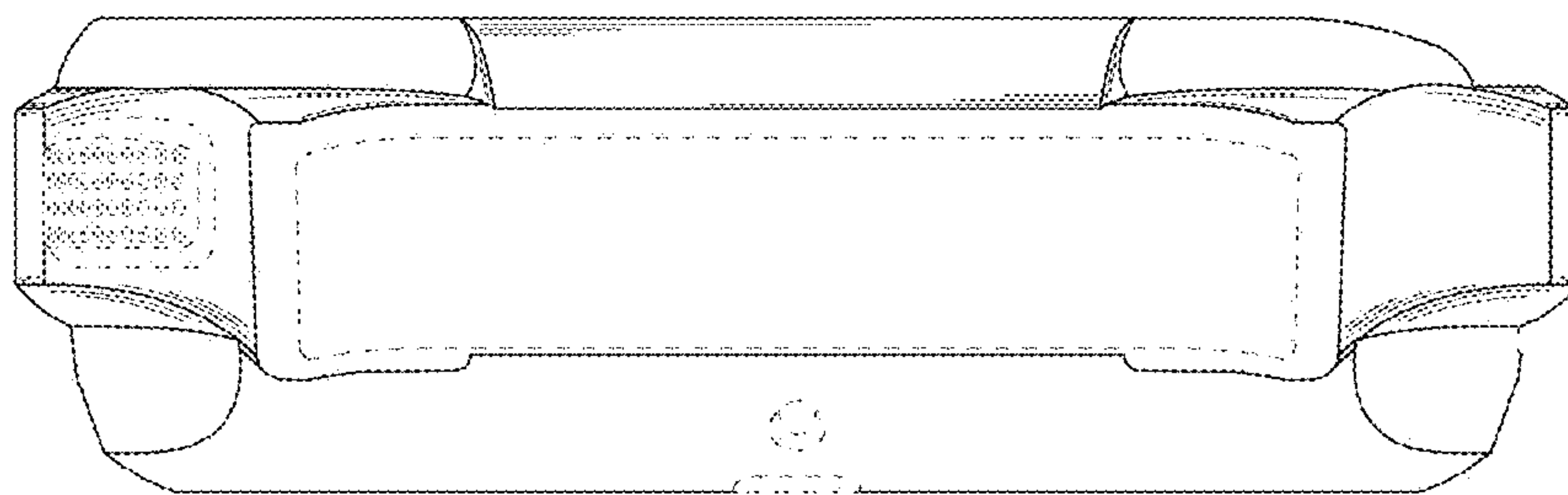


FIG. 8

