



US00D920971S

(12) **United States Design Patent**
Park et al.

(10) **Patent No.:** **US D920,971 S**
(45) **Date of Patent:** **** Jun. 1, 2021**

(54) **SMART WATCH**

(71) Applicant: **Anhui Huami Information Technology Co., Ltd.**, Anhui (CN)

(72) Inventors: **Jihyun Park**, Mountain View, CA (US); **Sixian Chen**, Anhui (CN)

(73) Assignee: **Anhui Huami Information Technology Co., Ltd.**, Anhui (CN)

(**) Term: **15 Years**

(21) Appl. No.: **29/678,461**

(22) Filed: **Jan. 29, 2019**

(30) **Foreign Application Priority Data**

Sep. 13, 2018 (CN) 201830516285.3

(51) **LOC (13) Cl.** **14-02**

(52) **U.S. Cl.**
USPC **D14/344**

(58) **Field of Classification Search**

USPC ... D14/138 R, 144, 341, 344, 358, 388, 218,
D14/485-495; D10/30-39, 70, 98;
D11/3, 4, 26, 93-94, 78.1, 79, 86;
D24/167, 169, 186-187, 164

CPC A41D 1/002; A41D 19/0034; G06F 1/04;
G06F 1/08; G06F 1/10; G06F 1/14; G06F
1/1626; G06F 1/1628; G06F 1/163; G06F
1/1635; G06F 1/3203; G06Q 20/10;
G06Q 20/12; G06Q 20/108; G06Q
20/145; H04B 1/3833; H04B 1/385;
H04B 1/3888; H04M 1/02; H04M 1/03;
H04M 1/04; H04M 1/05; H04M 1/667;
H04M 1/6058; Y02B 60/1217

See application file for complete search history.

(56) **References Cited**

U.S. PATENT DOCUMENTS

D753,109 S * 4/2016 Kim D10/38
9,317,155 B2 * 4/2016 Magi G06F 1/1652

D767,566 S * 9/2016 Morgenroth D14/344
D773,319 S * 12/2016 Basargin D10/38
D776,109 S * 1/2017 Shin D14/344

(Continued)

OTHER PUBLICATIONS

Amazfit Verge Smartwatch with Alexa Built-in, posted Dec. 18, 2018, [retrieved Jun. 14, 2020], Retrieved from Internet, <URL: <https://www.amazon.com/Amazfit-Smartwatch-Activity-Tracking-Waterproof/dp/B07L5GG9YM/> >.*

Primary Examiner — George D. Kirschbaum

Assistant Examiner — Joseph J Kukella

(74) *Attorney, Agent, or Firm* — Young Basile Hanlon & MacFarlane, P.C.

(57) **CLAIM**

The ornamental design for a smart watch, as shown and described.

DESCRIPTION

FIG. 1 is a bottom, front, and right perspective view of a smart watch showing our new design.

FIG. 2 is a bottom, rear, and left perspective view of the smart watch of FIG. 1.

FIG. 3 is a bottom plan view of the smart watch of FIG. 1.

FIG. 4 is a top plan view of the smart watch of FIG. 1.

FIG. 5 is a left side elevational view of the smart watch of FIG. 1.

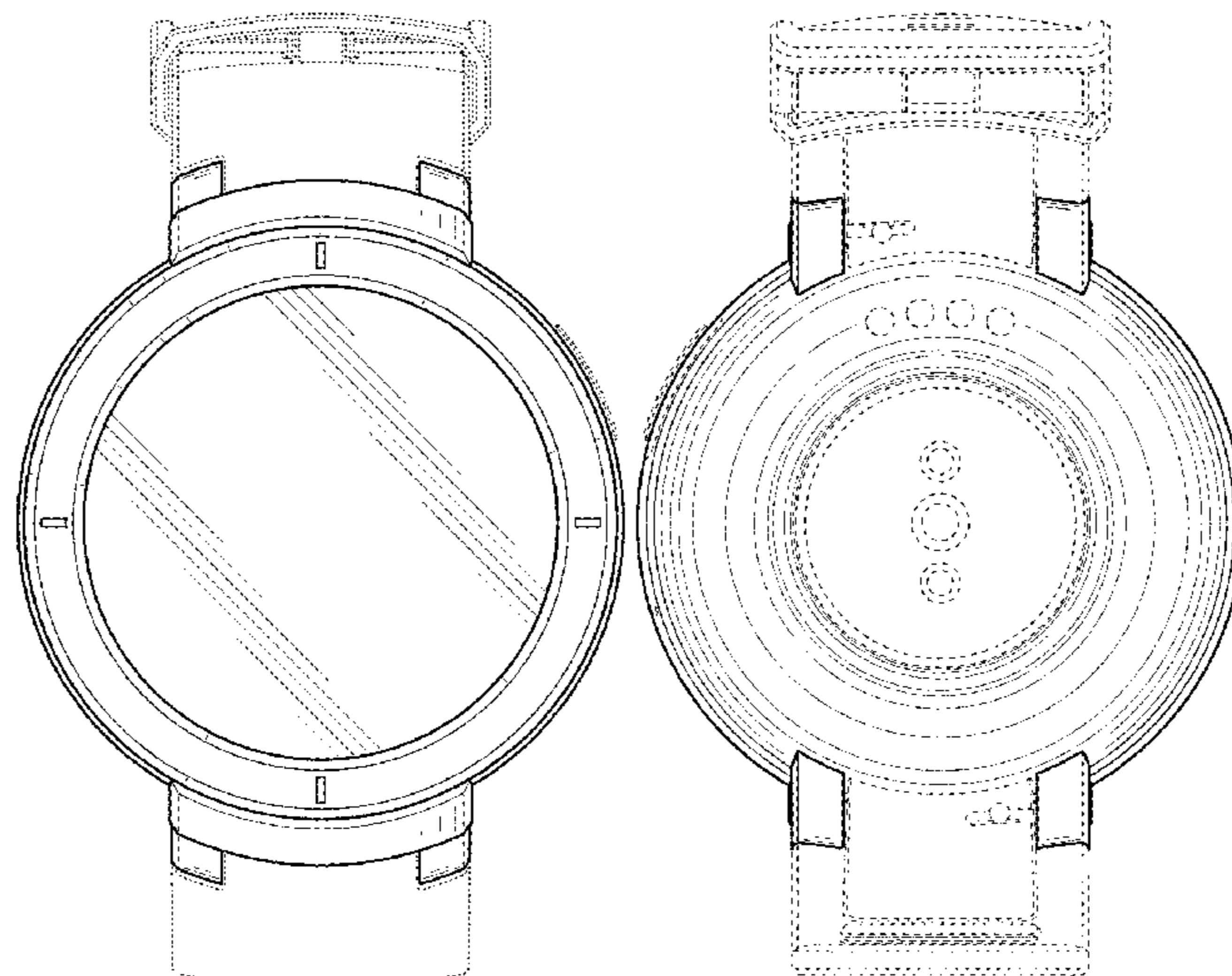
FIG. 6 is a right side elevational view of the smart watch of FIG. 1.

FIG. 7 is a front elevational view of the smart watch of FIG. 1; and,

FIG. 8 is a rear elevational view of the smart watch of FIG. 1.

The broken lines shown in the drawings depict portions of the smart watch and form no part of the claimed design.

1 Claim, 7 Drawing Sheets



(56)

References Cited

U.S. PATENT DOCUMENTS

D793,875 S * 8/2017 Mistry D10/30
D809,511 S * 2/2018 Mistry D14/344
D812,051 S * 3/2018 Park D14/344
D829,242 S * 9/2018 Laine D14/496
10,168,736 B2 * 1/2019 Lee G04B 37/1486
D854,946 S * 7/2019 Nigro D10/39
10,374,662 B2 * 8/2019 Choi G06Q 30/0623
D858,311 S * 9/2019 Zhang D10/30

* cited by examiner

FIG. 1

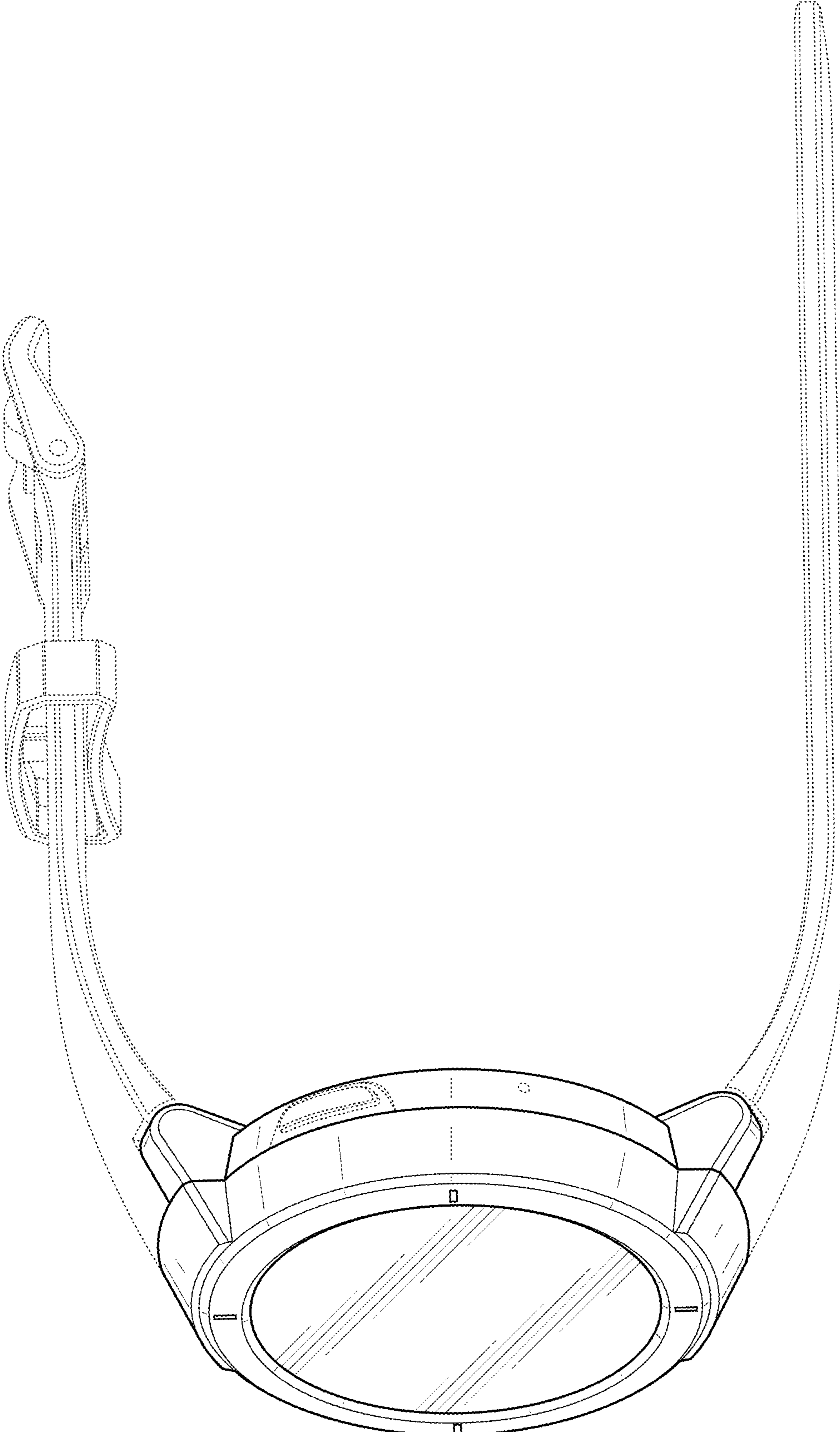


FIG. 2

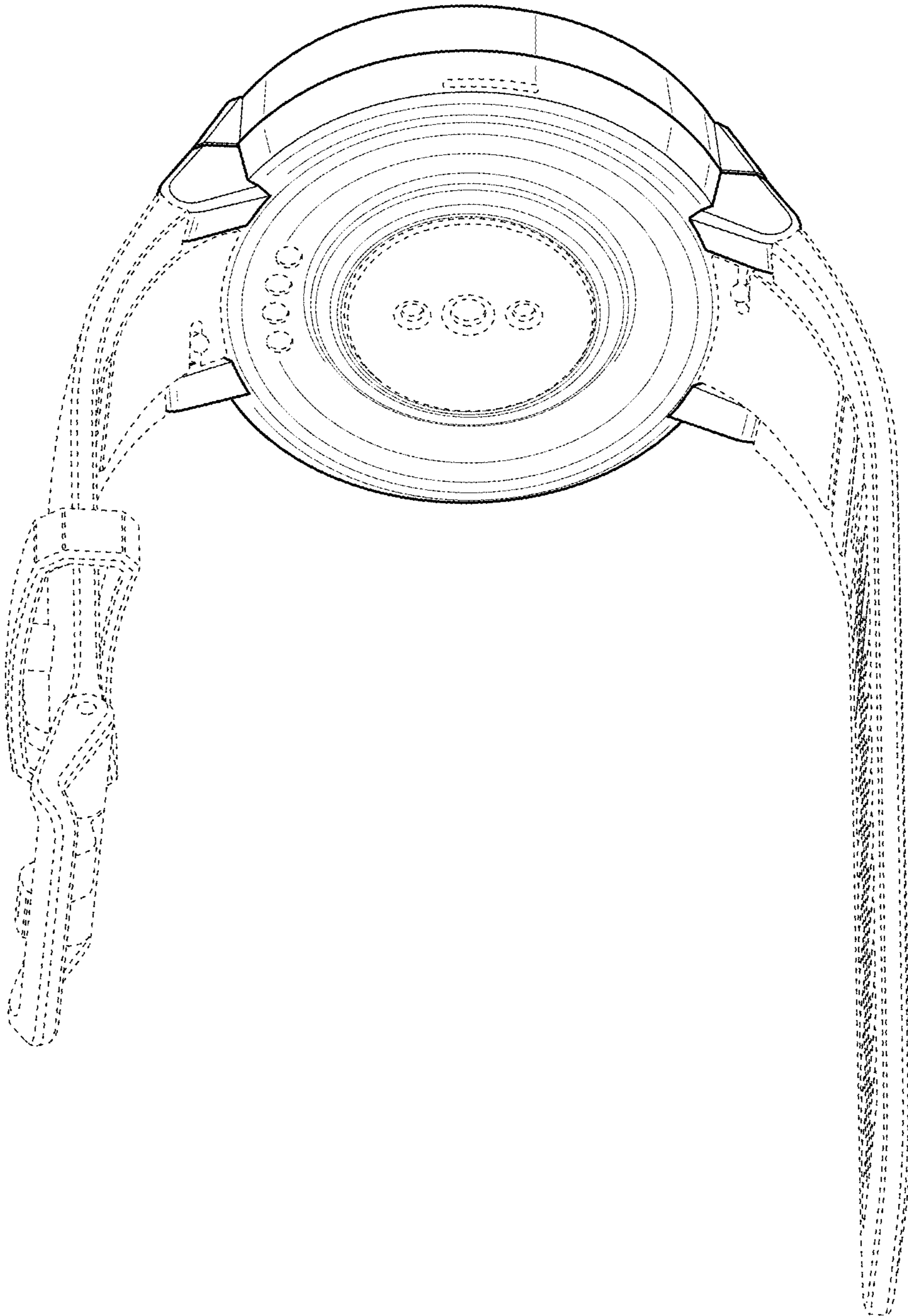
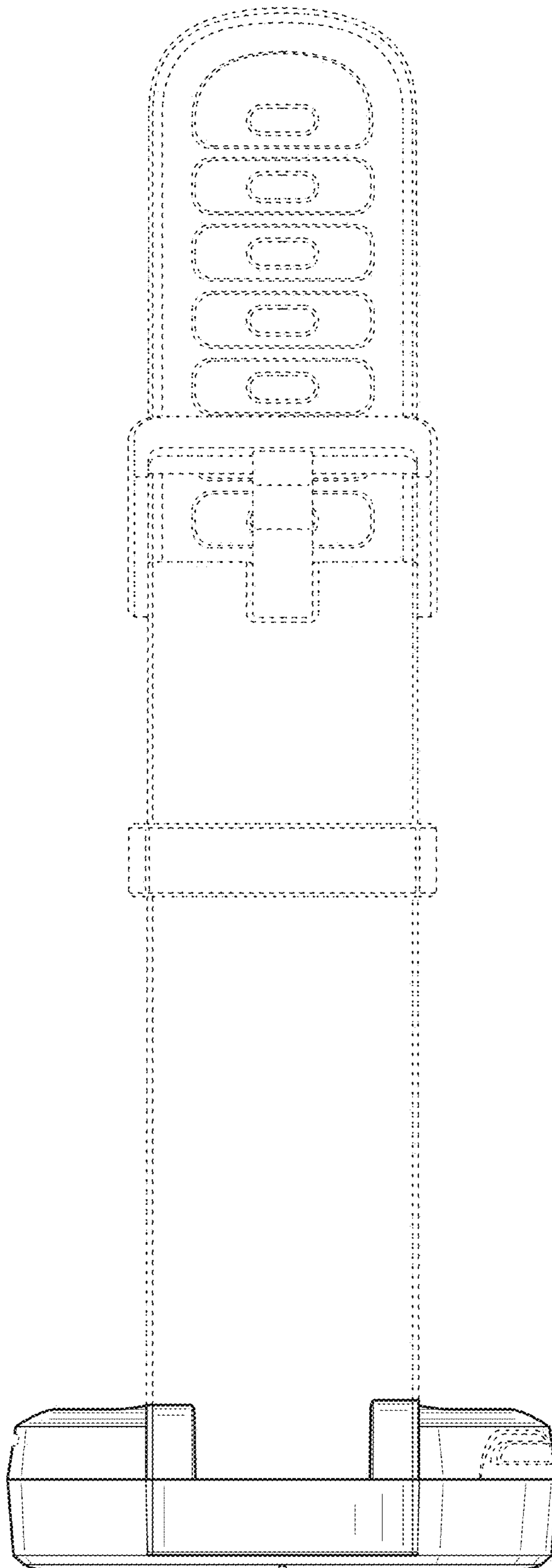


FIG. 3



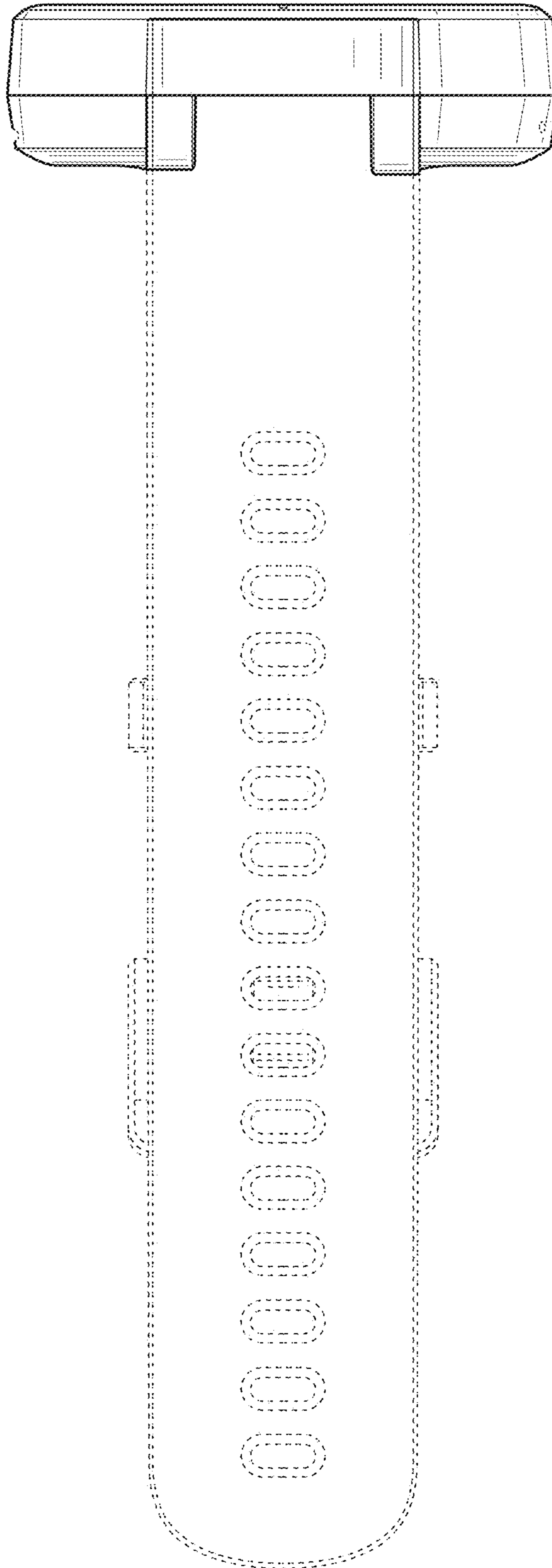


FIG. 4

FIG. 5

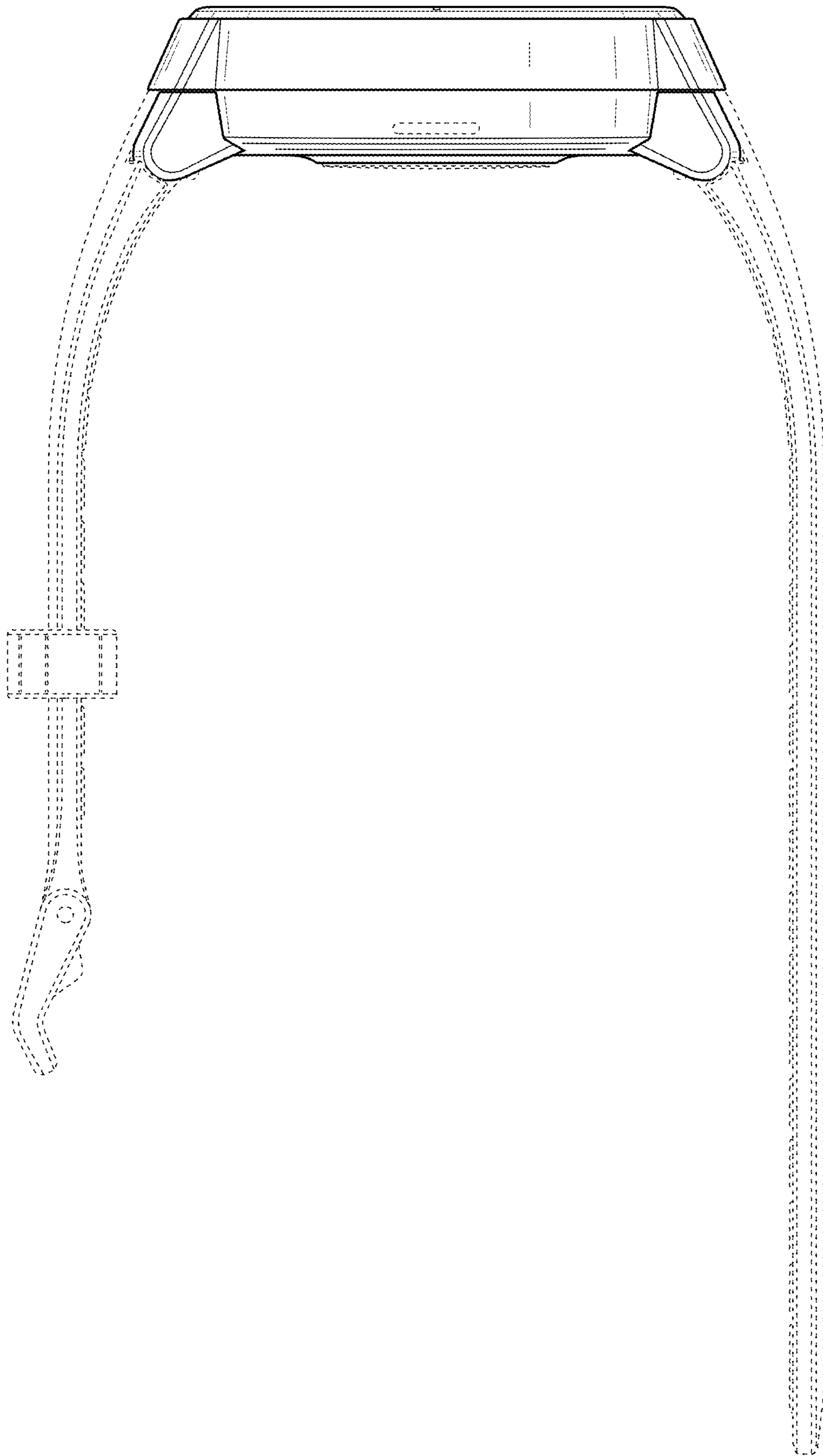
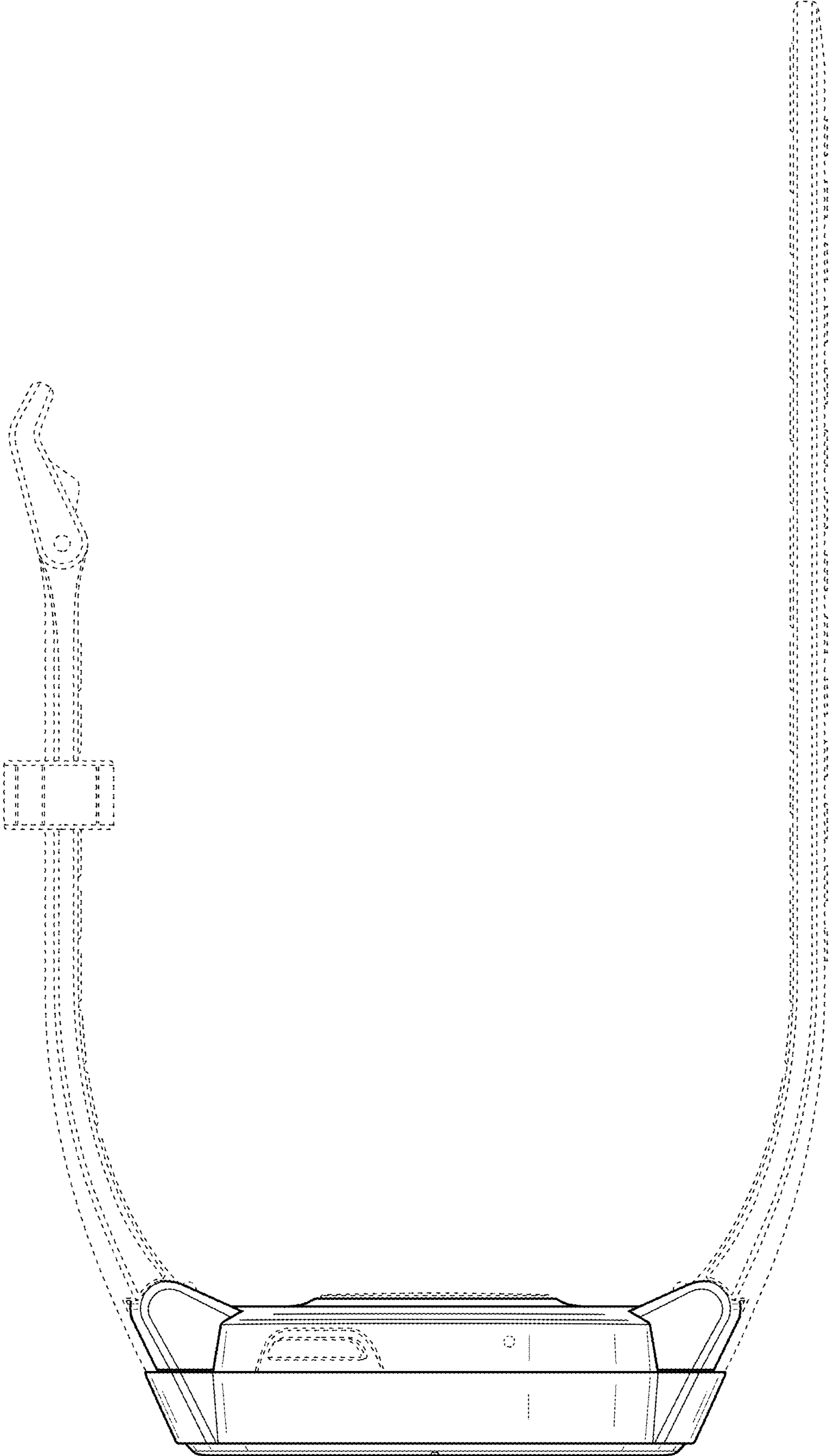


FIG. 6



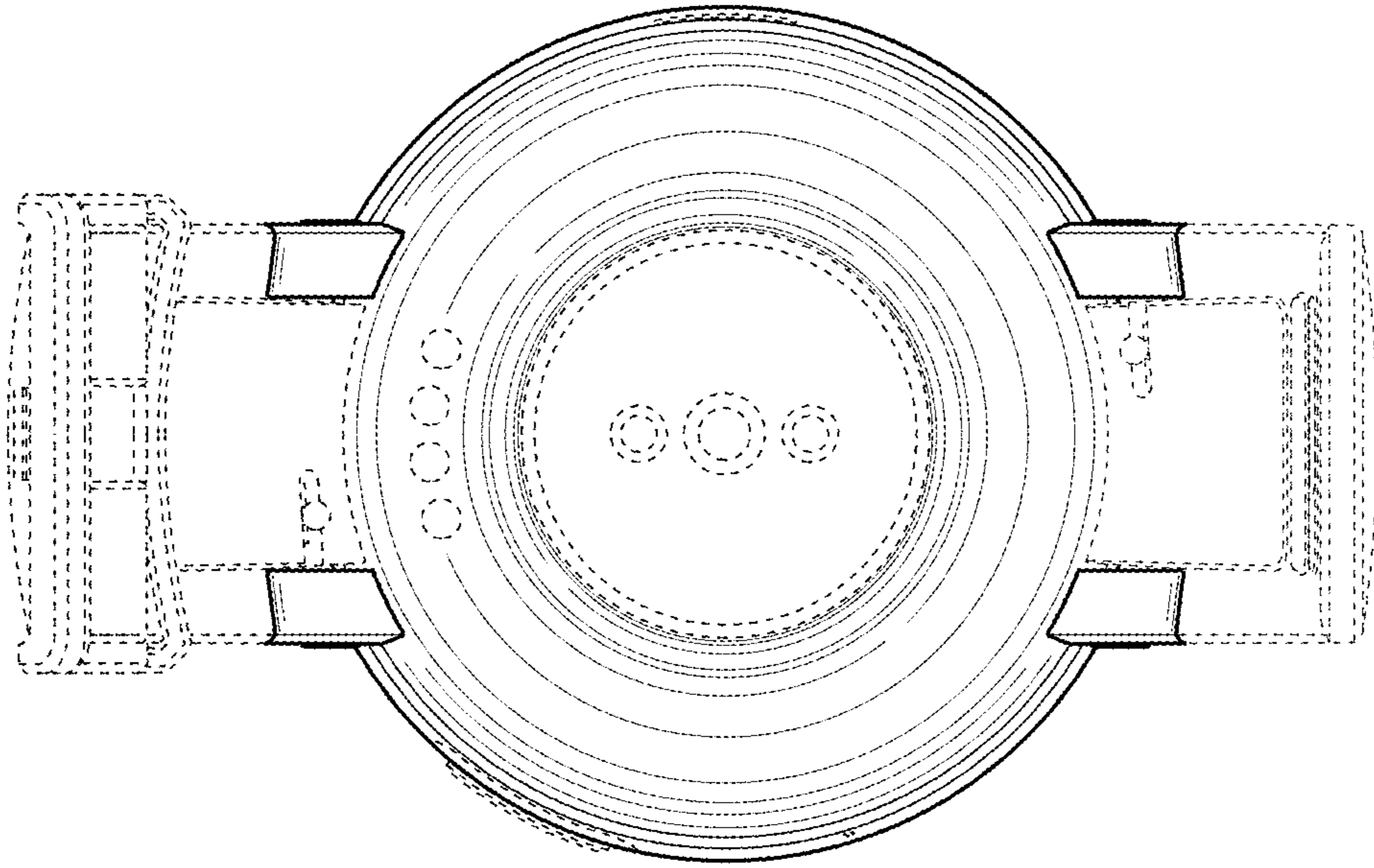


FIG. 8

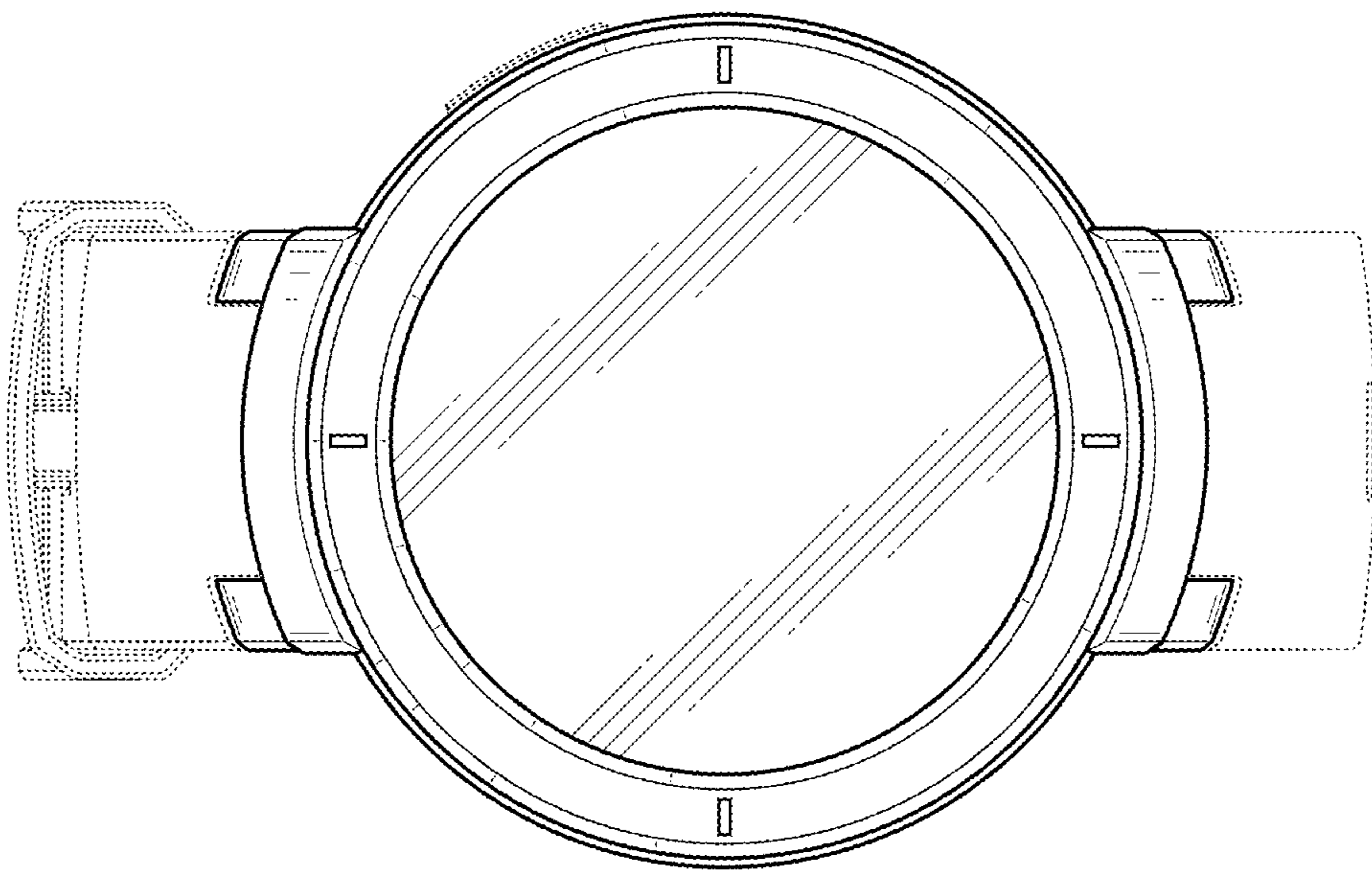


FIG. 7