



US00D920970S

(12) **United States Design Patent** (10) **Patent No.:** **US D920,970 S**
Yeh et al. (45) **Date of Patent:** **** Jun. 1, 2021**

(54) **NOTEBOOK COMPUTER**

(71) Applicants: **Wang-Hung Yeh**, Taipei (TW);
Jyh-Chyang Tzou, Taipei (TW);
Chun-Ting Lee, Taipei (TW);
Yao-Hsien Yang, Taipei (TW);
Hsin-Chieh Fang, Taipei (TW);
Chun-Wen Wang, Taipei (TW);
Shu-Hong Lin, Taipei (TW)

(72) Inventors: **Wang-Hung Yeh**, Taipei (TW);
Jyh-Chyang Tzou, Taipei (TW);
Chun-Ting Lee, Taipei (TW);
Yao-Hsien Yang, Taipei (TW);
Hsin-Chieh Fang, Taipei (TW);
Chun-Wen Wang, Taipei (TW);
Shu-Hong Lin, Taipei (TW)

(73) Assignee: **COMPAL ELECTRONICS, INC.**,
Taipei (TW)

(**) Term: **15 Years**

(21) Appl. No.: **29/634,804**

(22) Filed: **Jan. 25, 2018**

(51) **LOC (13) Cl.** **14-02**

(52) **U.S. Cl.**
USPC **D14/315**

(58) **Field of Classification Search**
USPC D14/315-327, 333-335, 373-376, 390,
D14/392, 394, 455-457

(Continued)

(56) **References Cited**

U.S. PATENT DOCUMENTS

D258,957 S * 4/1981 Bevilacqua D14/398
D335,896 S * 5/1993 Evenson D19/83

(Continued)

FOREIGN PATENT DOCUMENTS

JP D1319371 1/2008

OTHER PUBLICATIONS

Nelxulas Flush Recessed Sliding Pocket Door Handles | posted at amazon.com Dec. 2016 [online]. © 1996-2020, Amazon.com, Inc [retrieved Mar. 31, 2020] from Internet: <https://www.amazon.com/NELXULAS-Recessed-Sliding-Handles-Kitchen/dp/B06XCWYR85?th=1> (Year: 2016).*

(Continued)

Primary Examiner — Katherine Glennon
(74) *Attorney, Agent, or Firm* — JCIPRNET

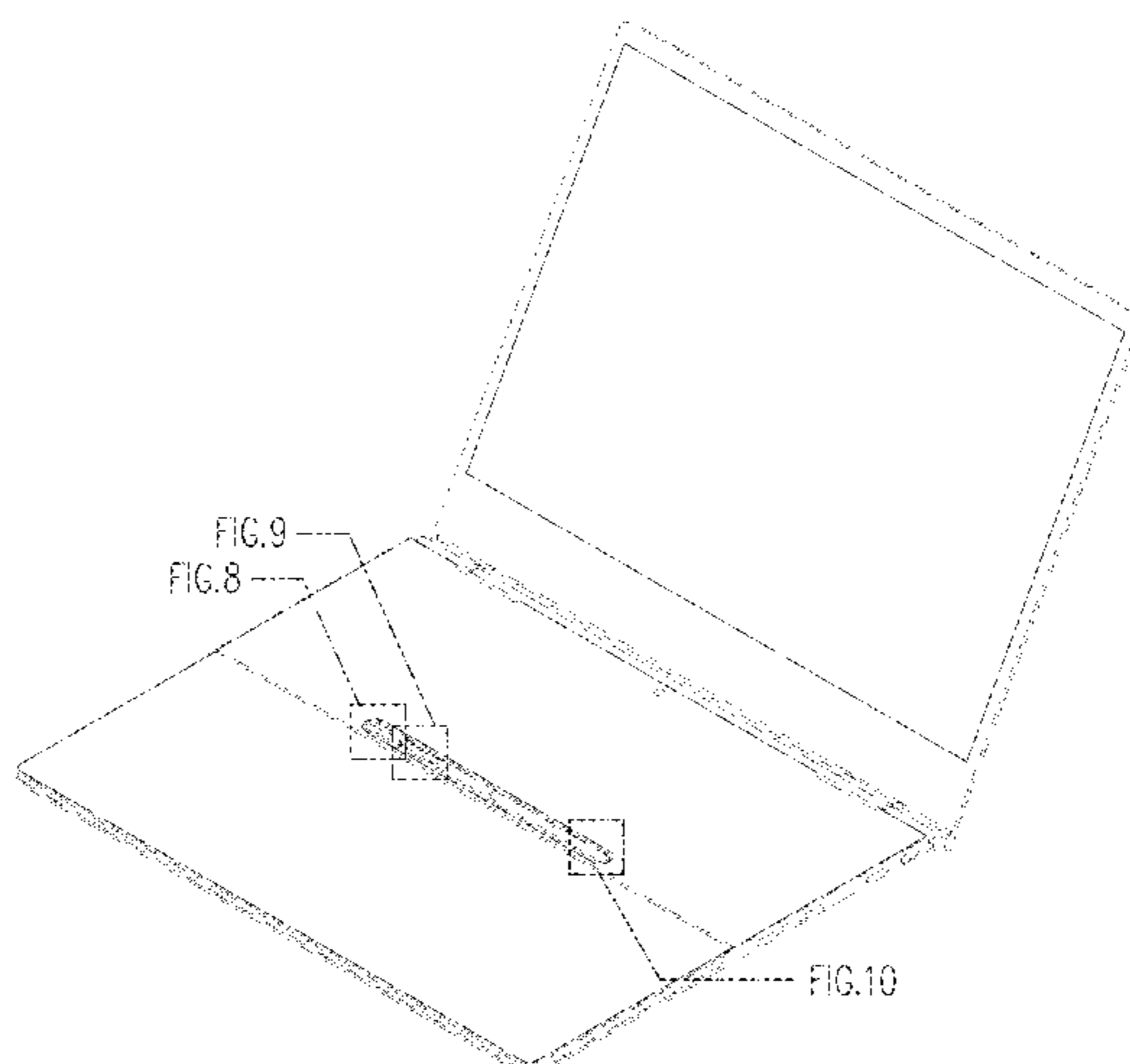
(57) **CLAIM**

The ornamental design for a notebook computer, as shown and described.

DESCRIPTION

FIG. 1 is a perspective view of a notebook computer showing our new design, with the display shown unfolded; FIG. 2 is a front view thereof; FIG. 3 is a rear view thereof; FIG. 4 is a left side view thereof; FIG. 5 is a right side view thereof; FIG. 6 is a top view thereof; and FIG. 7 is a bottom view thereof; FIG. 8 is an enlarged view of the indicated portion of FIG. 1; FIG. 9 is an enlarged view of the indicated portion of FIG. 1; FIG. 10 is an enlarged view of the indicated portion of FIG. 1; FIG. 11 is an enlarged view of the indicated portion of FIG. 6; FIG. 12 is an enlarged view of the indicated portion of FIG. 6; FIG. 13 is an enlarged view of the indicated portion of FIG. 6; and, FIG. 14 is a perspective view thereof with the display shown folded.

(Continued)



The broken lines immediately adjacent the shaded areas represent the bounds of the claimed design while all other broken lines are directed to environment and form no part of the claimed design.

1 Claim, 14 Drawing Sheets

(58) **Field of Classification Search**

CPC G06F 1/1618; G06F 1/162; G06F 1/1624;
G06F 1/1667; H05K 5/0243
See application file for complete search history.

(56) **References Cited**

U.S. PATENT DOCUMENTS

D345,965 S * 4/1994 Hanks D14/346
D346,591 S * 5/1994 Lee D14/342
5,401,917 A * 3/1995 Yoshida G06F 3/03545
178/19.01
D359,984 S * 7/1995 Mak D14/390
D360,195 S * 7/1995 Kimbrough D14/342
D381,638 S * 7/1997 Kruse D14/342
D404,024 S * 1/1999 Herbertson D14/342
D432,535 S * 10/2000 Loh D14/345
D434,757 S * 12/2000 Lee D14/318
D448,765 S * 10/2001 Cohen D14/341
D456,805 S * 5/2002 Ono D14/342
6,388,877 B1 * 5/2002 Canova, Jr. G06F 1/1626
312/223.2
D539,797 S * 4/2007 Chiang D14/337
D577,720 S * 9/2008 Freed D14/342
D584,727 S * 1/2009 Liu D14/138 AC
D589,510 S * 3/2009 Wada D14/331
D601,148 S * 9/2009 Akita D14/391
D602,489 S * 10/2009 Blackwell D14/342
D631,043 S * 1/2011 Kell D14/341
D631,880 S * 2/2011 Hirota D14/383
D669,070 S * 10/2012 Hsu D14/341
D681,628 S * 5/2013 Lin D14/315
D696,664 S * 12/2013 Iida D14/342
D705,780 S * 5/2014 Nishizawa D14/411
D718,308 S * 11/2014 Nishizawa D14/389
D720,747 S * 1/2015 Kim D14/345
D721,702 S * 1/2015 Lee D14/392
D725,656 S * 3/2015 Lee D14/392

D732,524 S * 6/2015 Mehandjiysky D14/315
D732,533 S * 6/2015 Hirota D14/389
D740,117 S * 10/2015 Nichols D9/456
D746,819 S * 1/2016 Feiz D14/392
D747,226 S * 1/2016 Kuang D10/70
D760,197 S * 6/2016 Huebner D14/218
D781,293 S * 3/2017 Mitchell D14/411
D786,249 S * 5/2017 Feiz D14/392
D802,592 S * 11/2017 Varghese D14/411
D826,940 S * 8/2018 Nishizawa D14/411
D852,192 S * 6/2019 Mitchell D14/389
2010/0168526 A1 * 7/2010 Nishimura A61B 5/14532
600/300
2013/0279100 A1 * 10/2013 Fontana G06F 1/1632
361/679.2
2014/0146456 A1 * 5/2014 Zhao G06F 1/1667
361/679.2
2014/0160654 A1 * 6/2014 Yoo G06F 1/1681
361/679.12
2016/0091927 A1 * 3/2016 Tzou G06F 1/1626
361/679.58
2016/0357224 A1 * 12/2016 Song G06F 1/1667
2017/0112003 A1 * 4/2017 Garcia F16J 15/022
2017/0215294 A1 * 7/2017 Jones G06F 1/1626

OTHER PUBLICATIONS

Dual Cylindrical 360 | posted at ifworlddesignguide.com; no posting date; launch date 2019 © 2020 iF Design [retrieved Mar. 31, 2020] from Internet: <<https://ifworlddesignguide.com/entry/247871-dual-cylindrical-360>> (Year: 2019).*

Envision Lite iF World Design Guide | posted at ifworlddesignguide.com; no posting date, 2020 launch [online], © 2020 iF Design [retrieved Mar. 31, 2020] from Internet: <<https://ifworlddesignguide.com/entry/272062-envision-lite>> (Year: 2020).*

Galaxy Tab S6 with Optional Case | posted at colourmylearning.com Apr. 2017 [online] © 2012-2020 Colour My Learning [retrieved Sep. 6, 2020] from Internet: <<https://www.colourmylearning.com/2017/04/top-6-best-tablets-laptops-and-hybrids-with-stylus-nothing-like-good-old-pen-input/>> (Year: 2017).*

Vintage Samsung Pen Master | posted at Worthpoint.com; circa 1990s [online], © 2020—WorthPoint Corporation [retrieved Sep. 8, 2020] from Internet: <<https://www.worthpoint.com/worthopedia/vintage-samsung-pen-master-3861-20-1889506316>> (Year: 1999).*
“Office Action of Taiwan Counterpart Application,” dated Mar. 28, 2019, p. 1-p. 3.

* cited by examiner

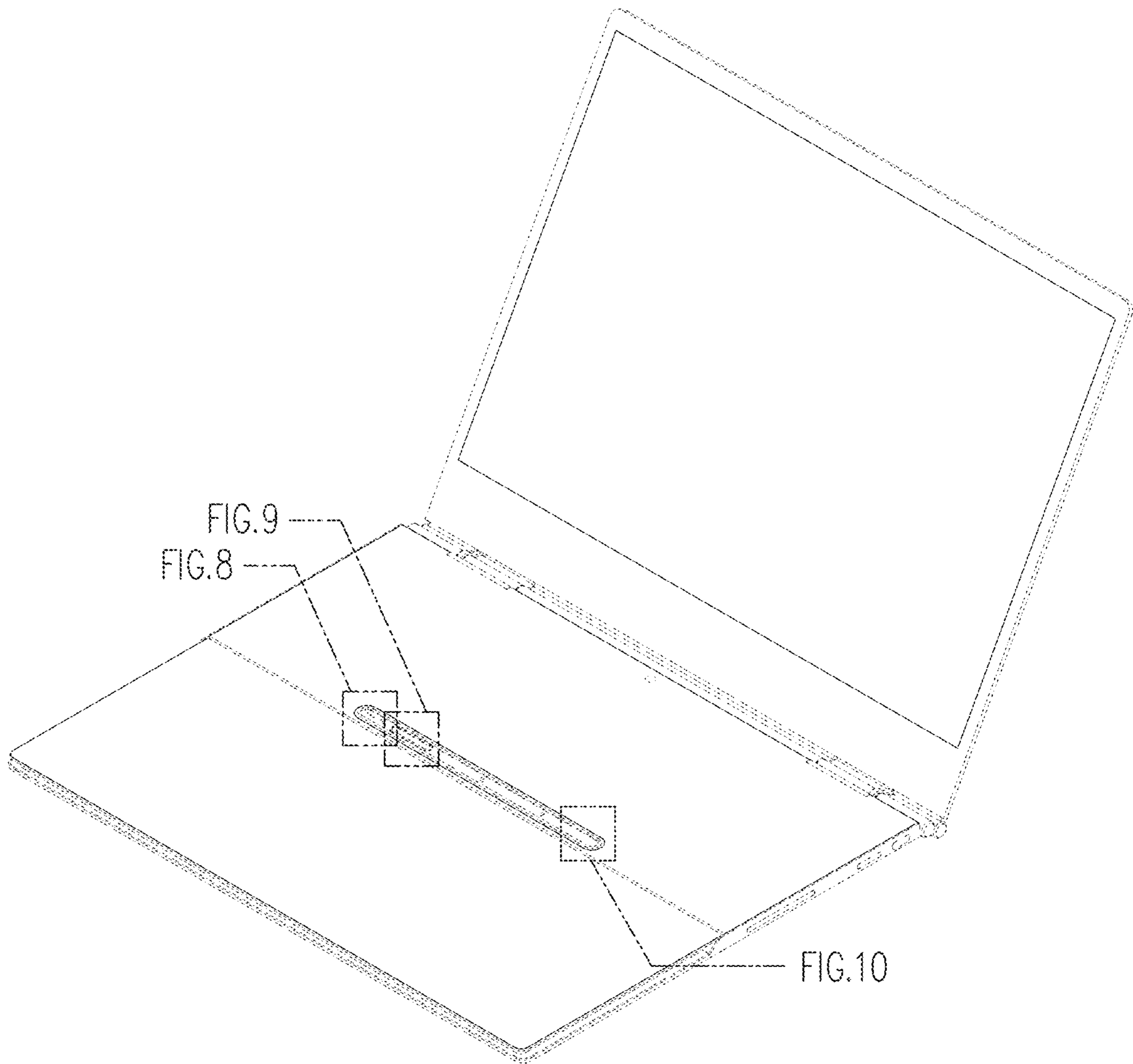


FIG. 1



FIG. 2

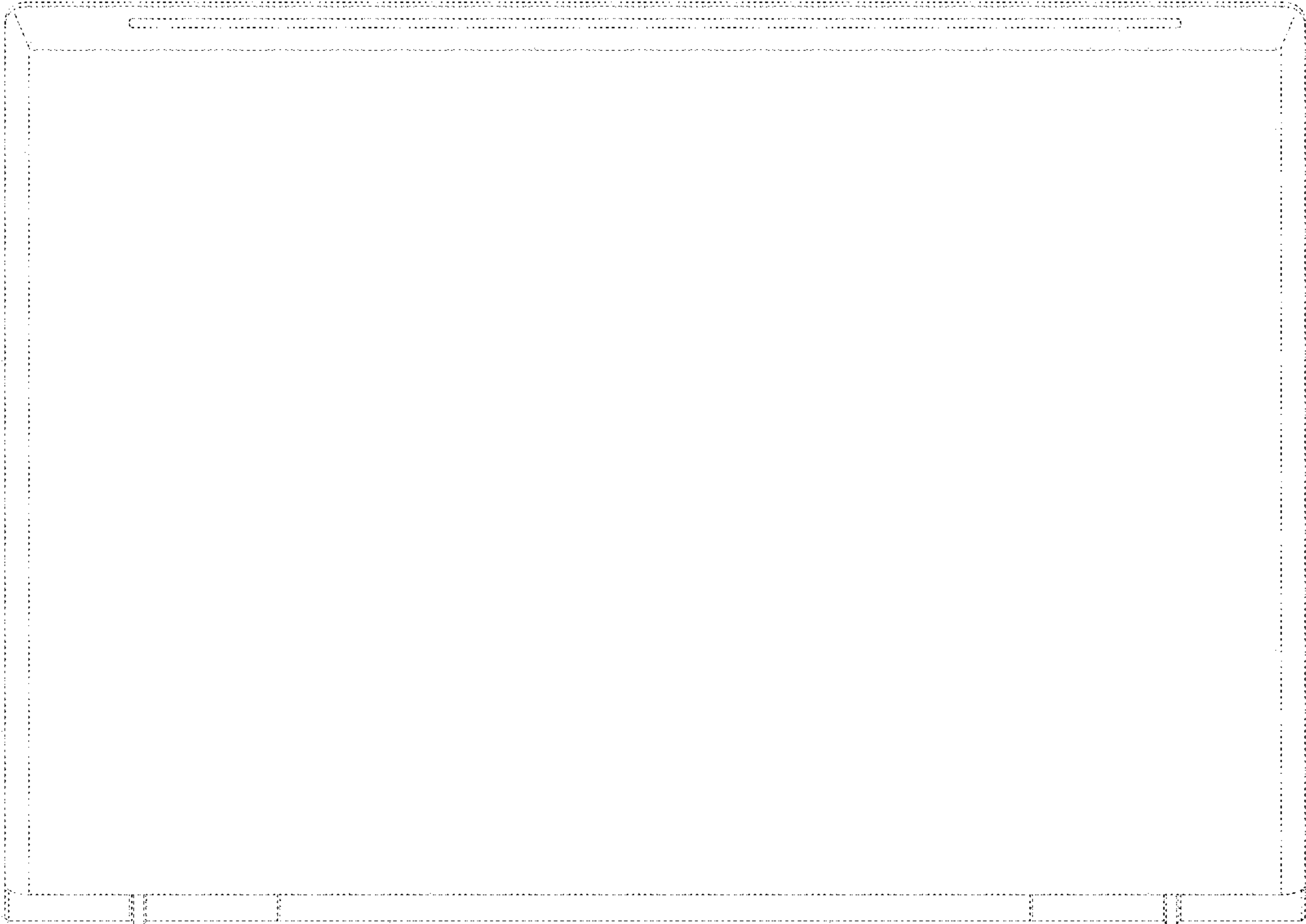


FIG. 3

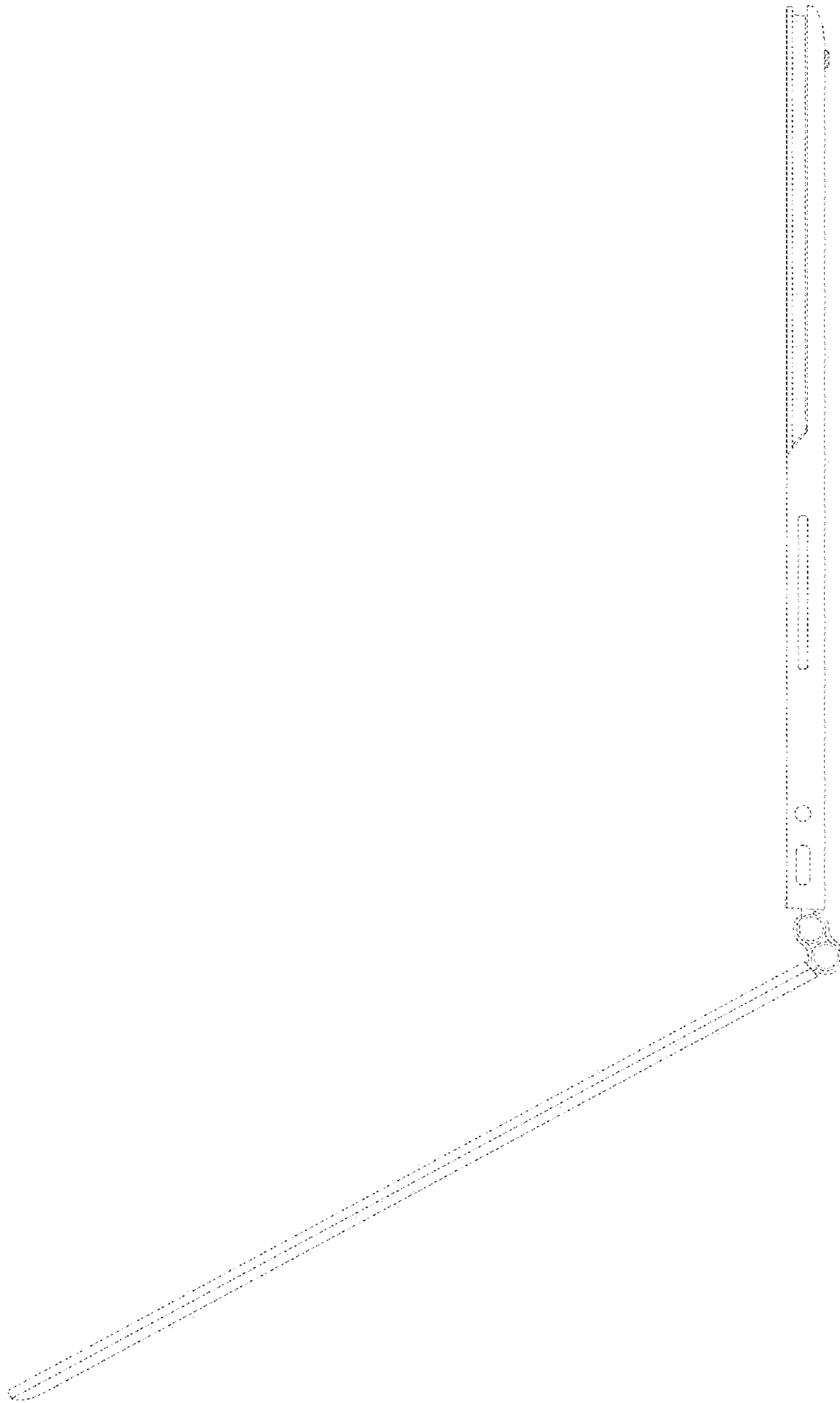


FIG. 4

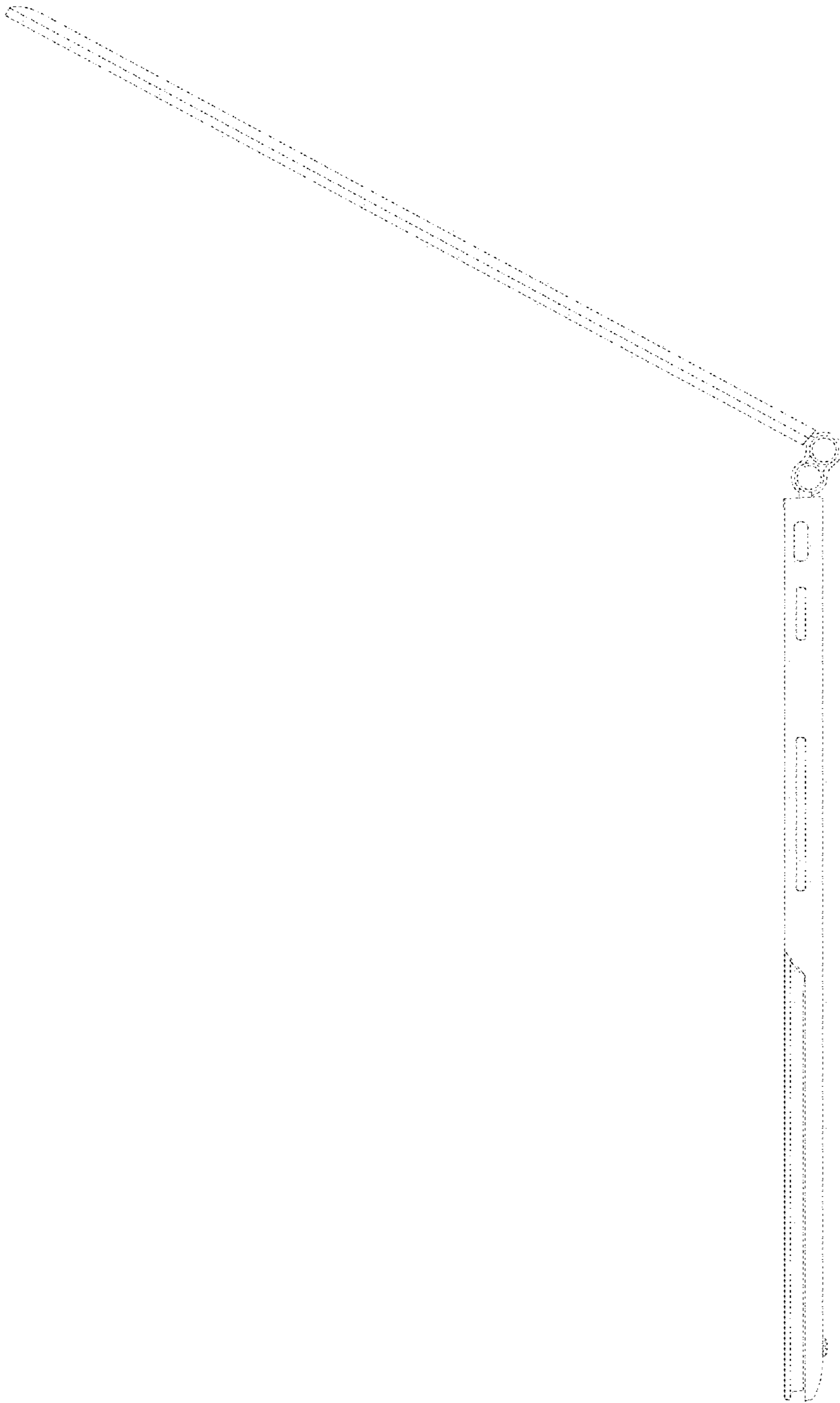


FIG. 5

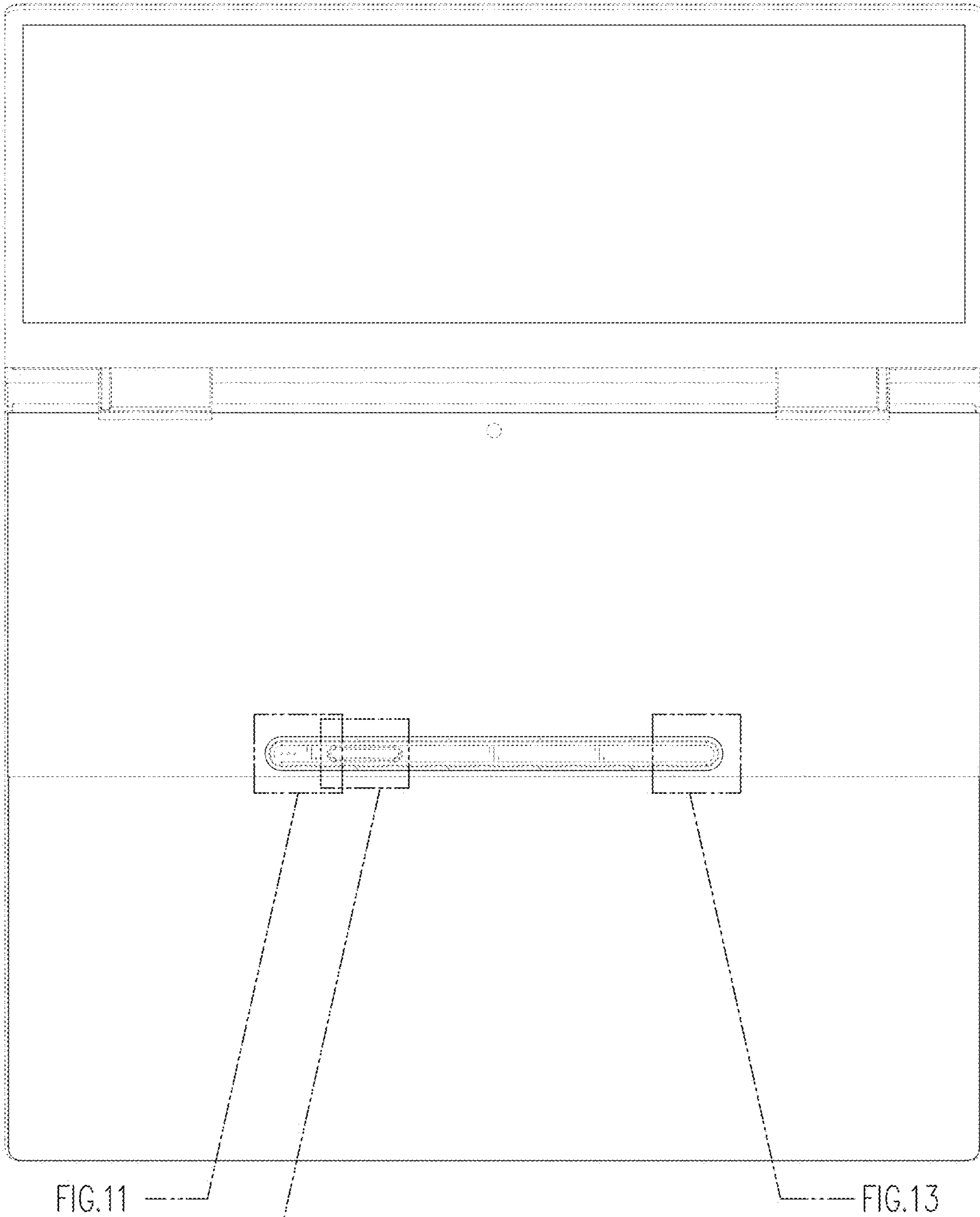


FIG.11

FIG.12

FIG.13

FIG. 6

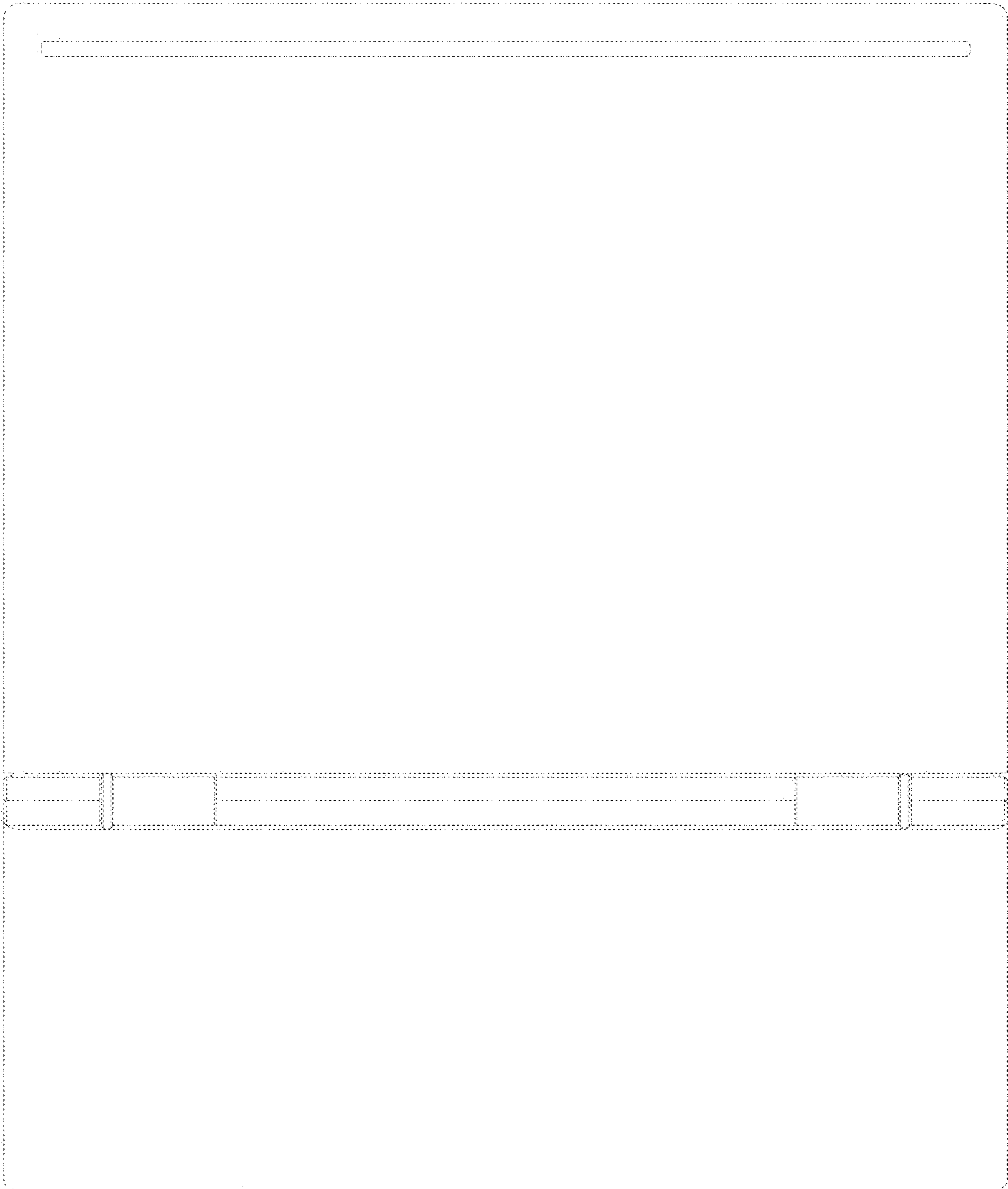


FIG. 7

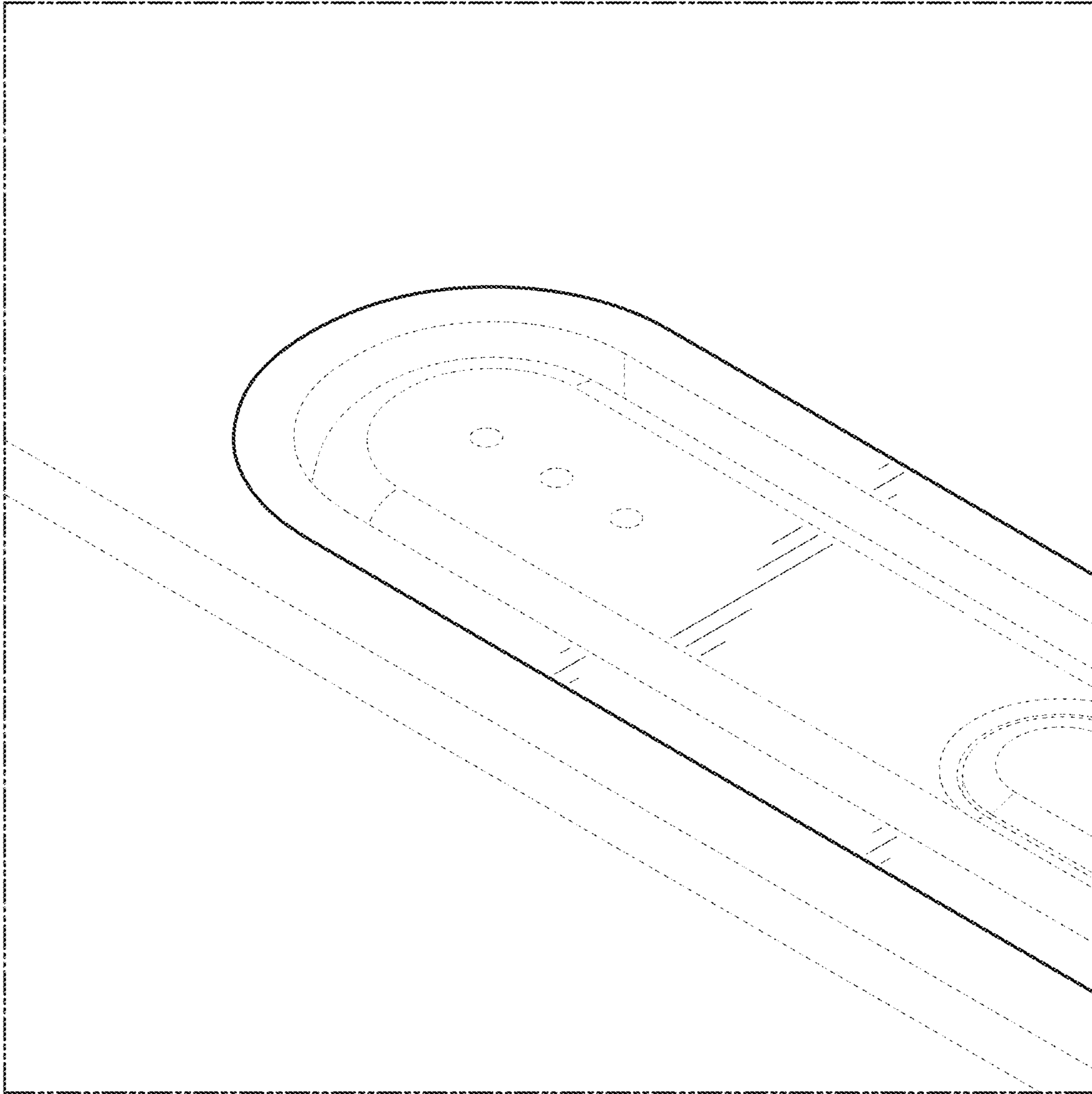


FIG. 8

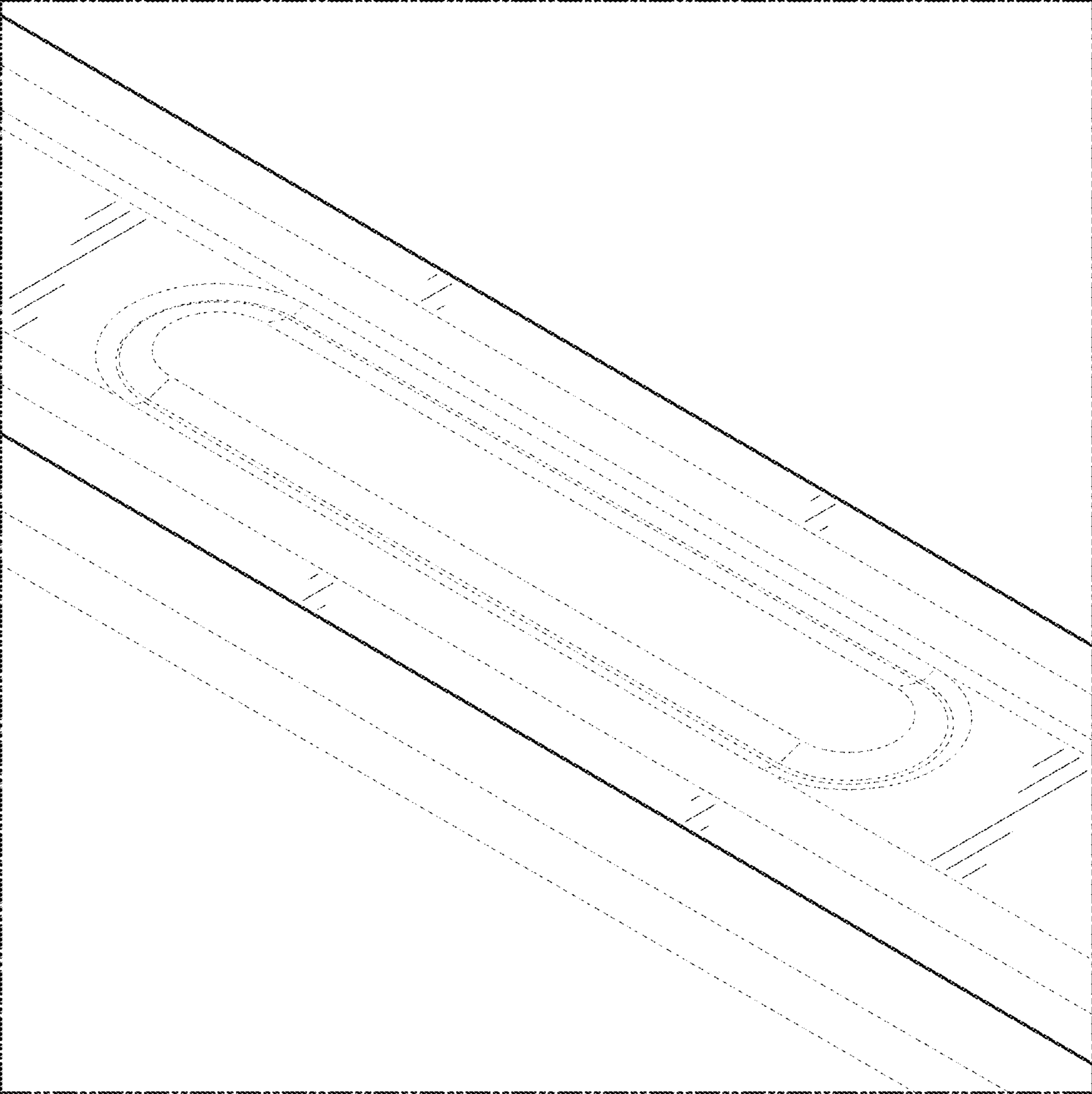


FIG. 9

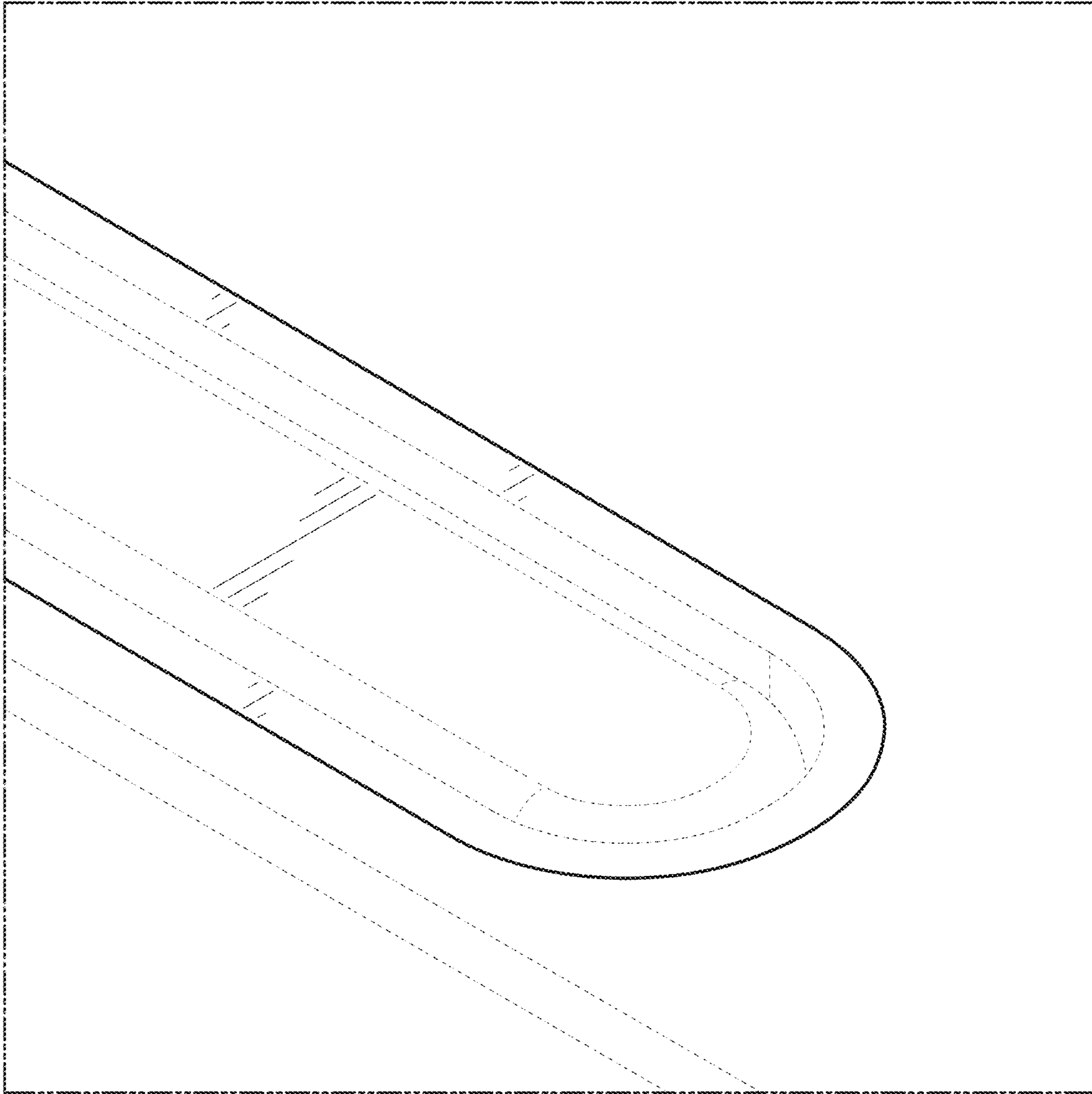


FIG. 10

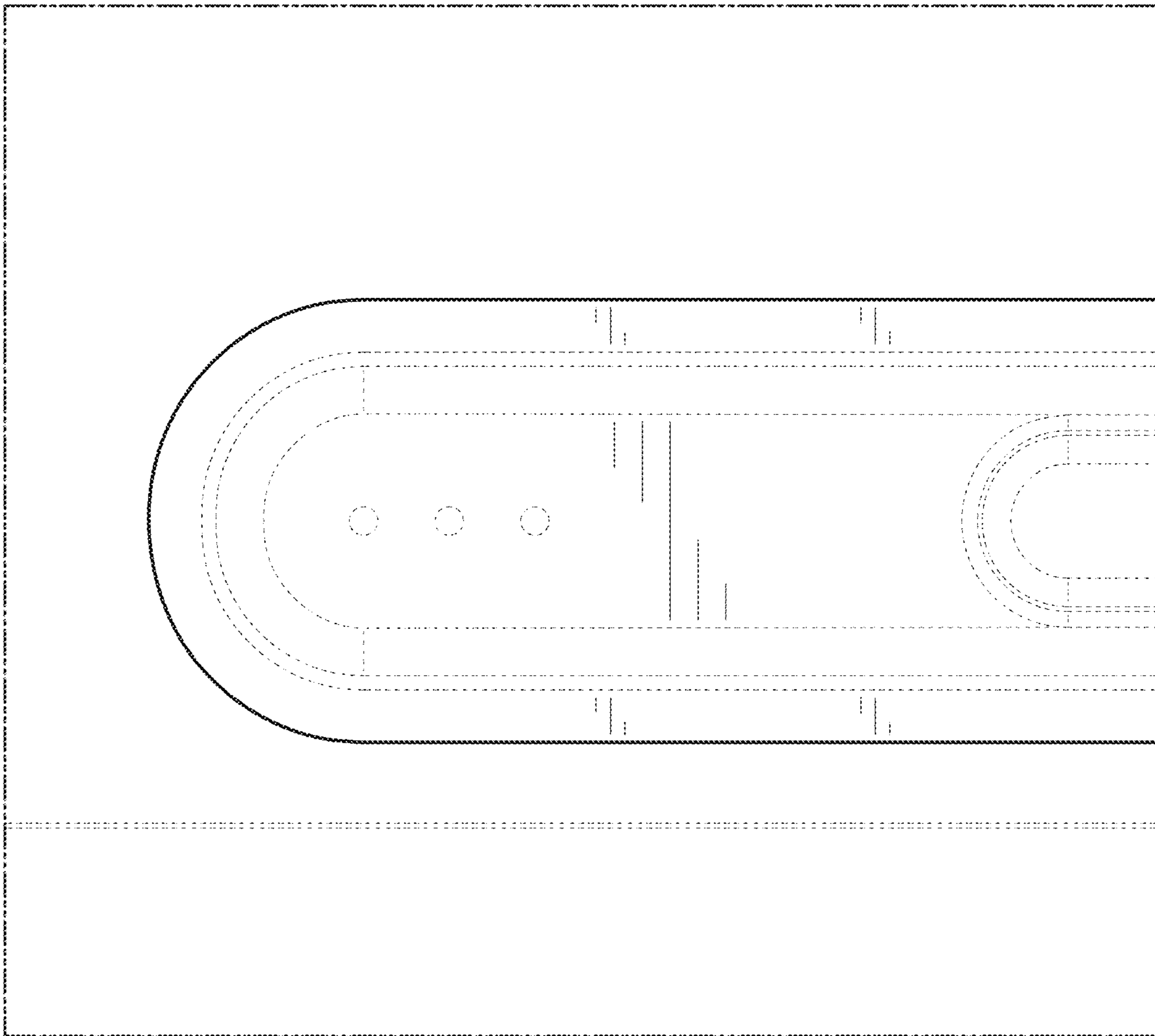


FIG. 11

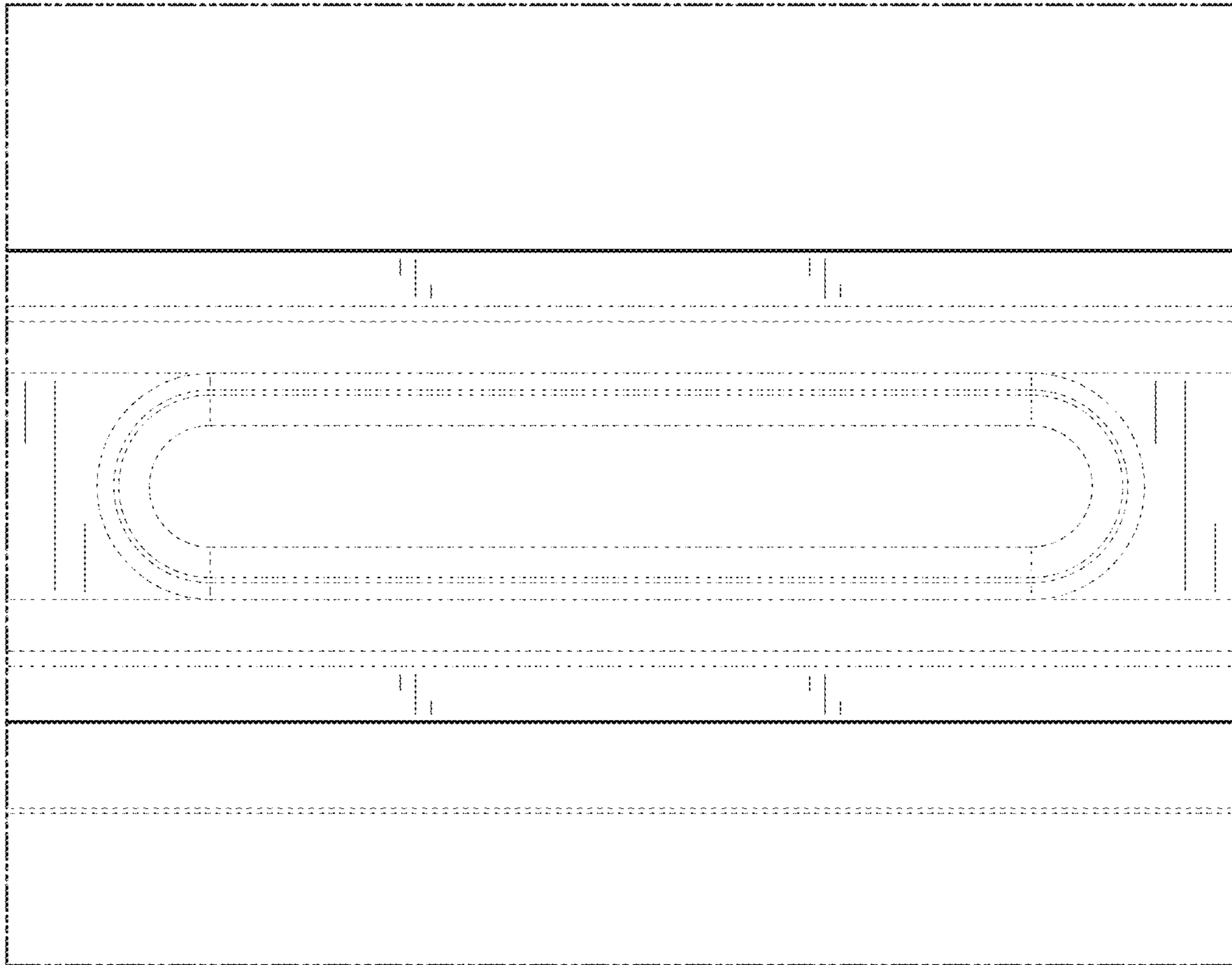


FIG. 12

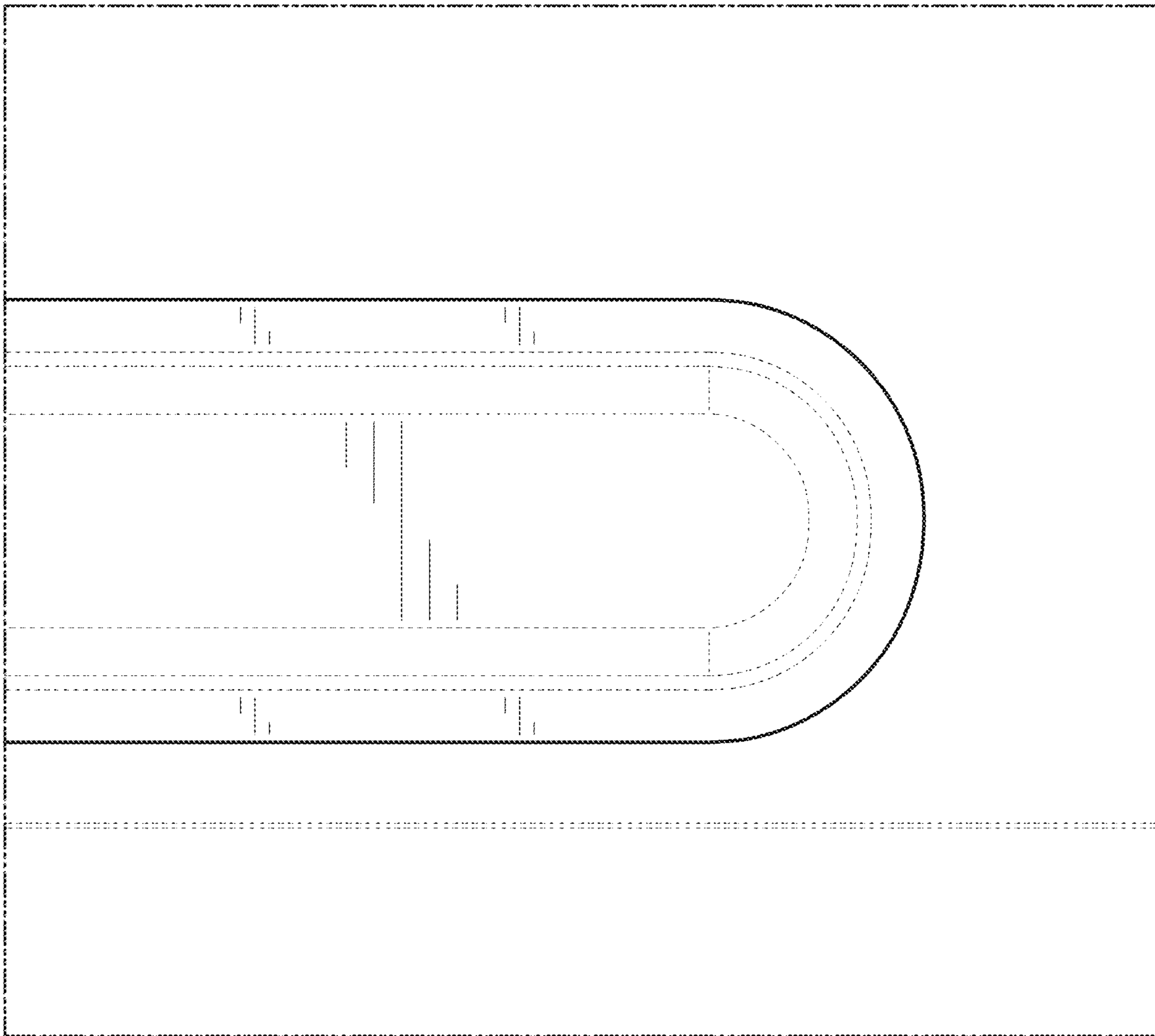


FIG. 13

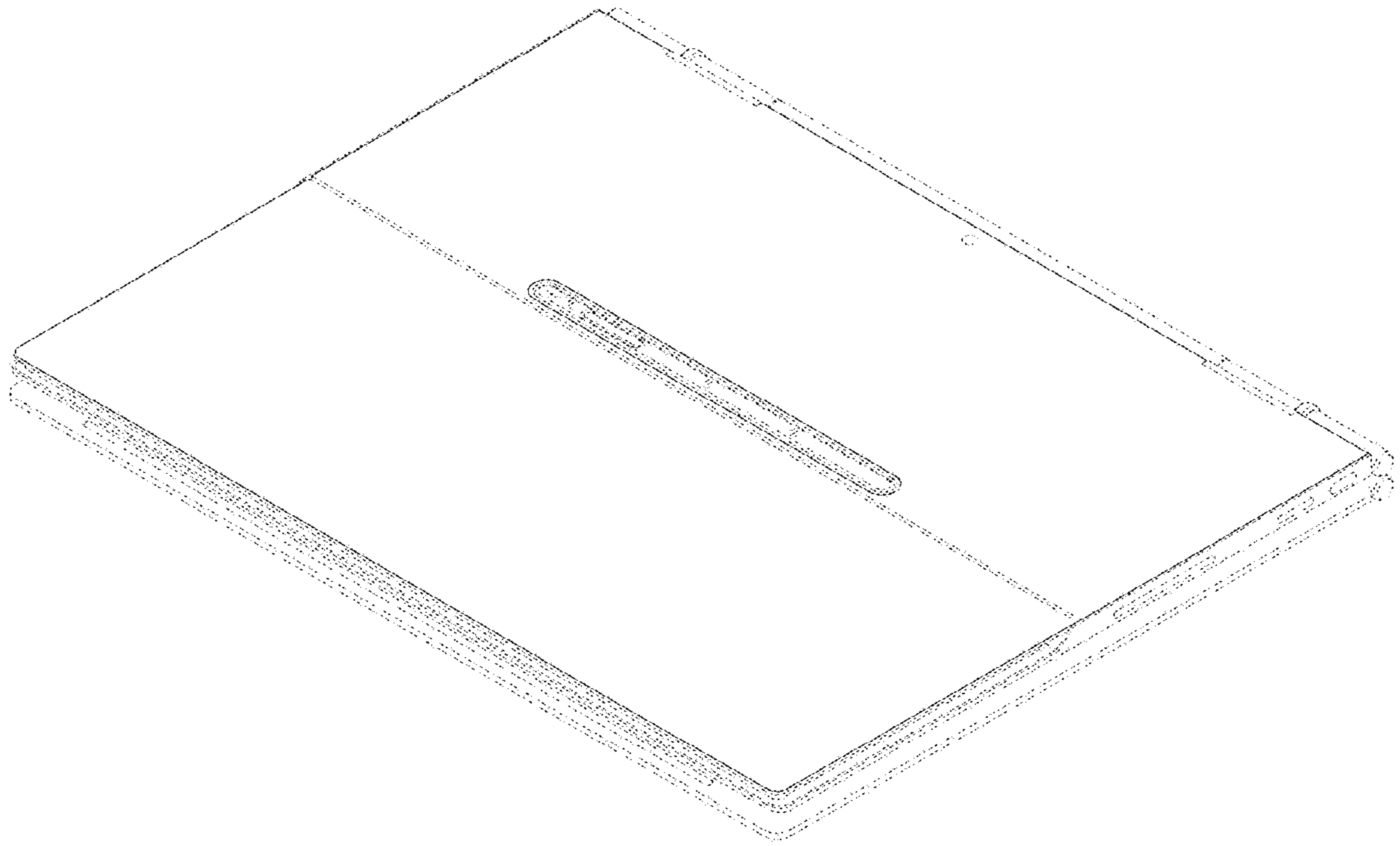


FIG. 14