



US00D920969S

(12) **United States Design Patent**  
**Tzou et al.**

(10) **Patent No.:** **US D920,969 S**  
(45) **Date of Patent:** **\*\* Jun. 1, 2021**

(54) **NOTEBOOK COMPUTER**

FOREIGN PATENT DOCUMENTS

(71) Applicants: **Jyh-Chyang Tzou**, Taipei (TW);  
**Yuan-Ping Chu**, Taipei (TW);  
**Pai-Feng Chen**, Taipei (TW)

JP D1491276 3/2014

(72) Inventors: **Jyh-Chyang Tzou**, Taipei (TW);  
**Yuan-Ping Chu**, Taipei (TW);  
**Pai-Feng Chen**, Taipei (TW)

OTHER PUBLICATIONS

Plica Concept Phone | posted at techshout.com Aug. 2008 [online].  
© 2019 TechShout.com retrieved Oct. 14, 2019] from Internet:  
<[https://web.archive.org/web/2008\\*/https://www.techshout.com/mobile-phones/2008/01/plica-concept-phone-the-future-of-mobile-phones/](https://web.archive.org/web/2008*/https://www.techshout.com/mobile-phones/2008/01/plica-concept-phone-the-future-of-mobile-phones/)> (Year: 2008).\*

(73) Assignee: **COMPAL ELECTRONICS, INC.**,  
Taipei (TW)

(Continued)

(\*\*) Term: **15 Years**

*Primary Examiner* — Katherine Glennon

(74) *Attorney, Agent, or Firm* — JCIPRNET

(21) Appl. No.: **29/629,571**

(57) **CLAIM**

The ornamental design for a notebook computer, as shown and described.

(22) Filed: **Dec. 14, 2017**

(51) **LOC (13) Cl.** ..... **14-02**

(52) **U.S. Cl.**  
USPC ..... **D14/315**

**DESCRIPTION**

(58) **Field of Classification Search**  
USPC ..... D14/315–327, 333–335, 373–376, 390,  
D14/392, 394, 455–457, 331, 336  
CPC ..... G06F 1/1616; G06F 1/1618; G06F 1/162;  
G06F 1/1624; H05K 5/0234; H05K  
5/0017; H05K 5/0226

FIG. 1 is a perspective view of a notebook computer showing our new design;  
FIG. 2 is a front view thereof, the rear view thereof being plain and unornamented;  
FIG. 3 is a left side view thereof;  
FIG. 4 is a right side view thereof;  
FIG. 5 is a top view thereof;  
FIG. 6 is an enlarged view of the portion indicated in FIG. 1;  
FIG. 7 is an enlarged view of the portion indicated in FIG. 2;  
FIG. 8 is an enlarged view of the portion indicated in FIG. 3; and,  
FIG. 9 is an enlarged view of the portion indicated in FIG. 3.

See application file for complete search history.

The dashed broken lines shown in the drawings illustrate portions of the notebook computer that form no part of the claimed design. The dot-dashed lines define the bounds of the claimed design and form no part thereof.

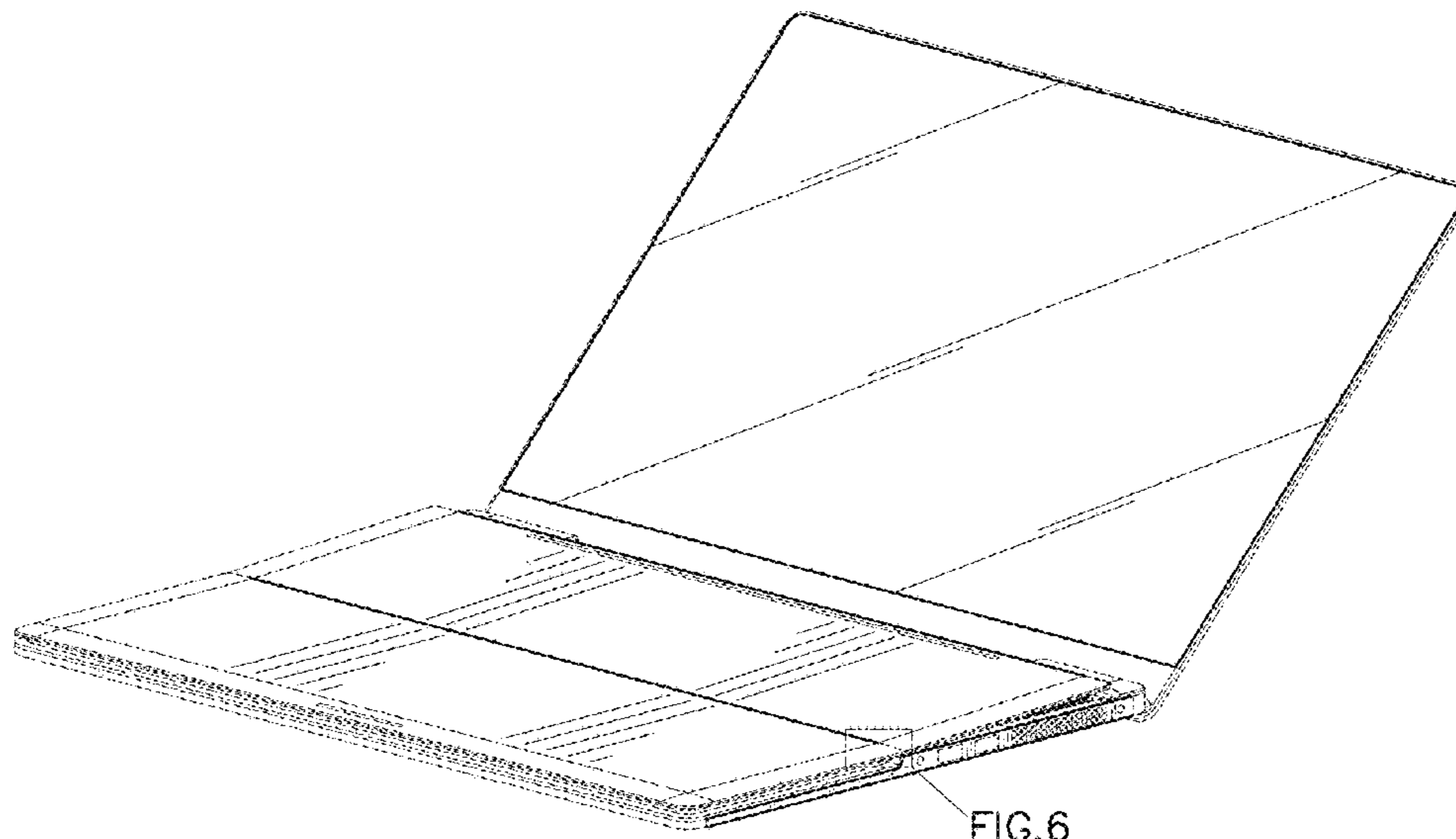
(56) **References Cited**

U.S. PATENT DOCUMENTS

D258,957 S \* 4/1981 Bevilacqua ..... D14/398  
4,718,866 A \* 1/1988 Yamaguchi ..... H01R 13/6582  
29/874  
D452,860 S \* 1/2002 Ogasawara ..... D14/322  
6,341,061 B1 \* 1/2002 Eisbach ..... G06F 1/1616  
312/223.2  
D509,247 S \* 9/2005 Nash ..... A47B 97/04  
D19/113  
D512,055 S \* 11/2005 Yeh ..... D14/318

(Continued)

**1 Claim, 8 Drawing Sheets**



(56)

References Cited

U.S. PATENT DOCUMENTS

7,221,330 B2 \* 5/2007 Finke-Anlauff ..... G06F 1/1616  
345/1.1  
D588,126 S \* 3/2009 Chiang ..... D14/345  
7,724,328 B2 \* 5/2010 Kim ..... G02F 1/133555  
349/113  
D664,537 S \* 7/2012 Hu ..... D14/327  
D669,467 S \* 10/2012 Ballout ..... D14/336  
D674,793 S \* 1/2013 Chen ..... D14/315  
D694,747 S \* 12/2013 Chen ..... D14/315  
D698,348 S \* 1/2014 Ilchan ..... D14/315  
D709,491 S \* 7/2014 Kurimoto ..... D14/320  
D709,493 S \* 7/2014 Ahn ..... D14/345  
D714,244 S \* 9/2014 Lee ..... D14/138 AB  
D719,564 S \* 12/2014 Ji ..... D14/315  
D726,715 S \* 4/2015 Sung ..... D14/331  
D729,792 S \* 5/2015 Kurimoto ..... D14/315  
D737,269 S \* 8/2015 Motoishi ..... D14/315  
D742,873 S \* 11/2015 Ahn ..... D14/341  
D746,285 S \* 12/2015 Okabe ..... D14/345  
D755,893 S \* 5/2016 Howell ..... D19/113  
D768,621 S \* 10/2016 Park ..... D14/315  
9,541,962 B2 \* 1/2017 Siddiqui ..... G06F 1/1618  
D783,599 S \* 4/2017 Bai ..... D14/315  
D786,210 S \* 5/2017 Lee ..... D14/138 AB  
D797,732 S \* 9/2017 Chong ..... D14/371  
2003/0100263 A1 \* 5/2003 Tanaka ..... G06F 1/1616  
455/41.1  
2008/0062625 A1 \* 3/2008 Batio ..... G06F 1/1615  
361/679.29  
2010/0214743 A1 \* 8/2010 Huang ..... G06F 1/1616  
361/692  
2012/0140410 A1 \* 6/2012 Chen ..... G06F 1/1616  
361/679.55  
2012/0160988 A1 \* 6/2012 Wu ..... G06F 1/1667  
248/685  
2014/0104782 A1 \* 4/2014 Lin ..... H05K 7/02  
361/679.44  
2014/0139990 A1 \* 5/2014 Moser ..... G06F 1/1616  
361/679.11

2014/0160654 A1 \* 6/2014 Yoo ..... G06F 1/1681  
361/679.12  
2016/0062394 A1 \* 3/2016 Zhang ..... G06F 1/1667  
361/679.09  
2016/0349989 A1 \* 12/2016 Yu ..... G06F 3/04886  
2017/0139446 A1 \* 5/2017 Lan ..... G06F 1/1681  
2018/0230726 A1 \* 8/2018 Chen ..... E05D 11/10  
2018/0343760 A1 \* 11/2018 Lee ..... G06F 1/1626  
2019/0219791 A1 \* 7/2019 Lan ..... G02B 7/023

OTHER PUBLICATIONS

Microsoft Courier | posted at windowscentral.com Dec. 5, 2017 [online]. © 2019 Mobile Nations [retrieved Oct. 14, 2019] from Internet: <<https://www.windowscentral.com/microsoft-bring-back-courier-2018>> (Year: 2017).\*

Compenion Futuristic Laptop Concept | posted at techeblog.com Jun. 2007 [online]. © 2019 Techeblog [retrieved Oct. 14, 2019] from Internet: <<https://www.techeblog.com/compenion-futuristic-laptop-concept/>> (Year: 2007).\*

High Quality Interior Metal Wall Panels #6 | posted at wisatakuliner.xyz Dec. 2015 [online]. © 2019 wisatakuliner.xyz [retrieved Oct. 14, 2019] from Internet: <<http://www.wisatakuliner.xyz/interior-metal-wall-panels/high-quality-interior-metal-wall-panels-6-architectural-metal-wall-panel-systems/>> (Year: 2015).\*

High Quality Interior Metal Wall Panels #6 | posted at wisatakuliner.xyz Dec. 2015 [online]. © 2019 wisatakuliner.xyz [retrieved Oct. 14, 2019] from Internet: <<http://www.wisatakuliner.xyz/interior-metal-wallpanels/high-guality-interior-metal-wall-panels-6-architectural-metal-wall-panel-systems/>> (Year: 2015).\*

Gemini—Why Compal | posted at compal.com; no posting date; 2020 iF award [online]. © 2020 Compal Inc. [retrieved Apr. 11, 2020] from Internet: <<https://www.compal.com/why-compal/>> (Year: 2020).\*

Envision Lite iF World Design Guide | posted at ifworlddesignguide.com; no posting date, 2020 launch [online]. © 2020 iF Design [retrieved Mar. 31, 2020] from Internet: <<https://ifworlddesignguide.com/entry/272062-envision-lite>> (Year: 2020).\*

“Office Action of Taiwan Counterpart Application,” dated Mar. 28, 2019, p. 1-p. 3.

\* cited by examiner

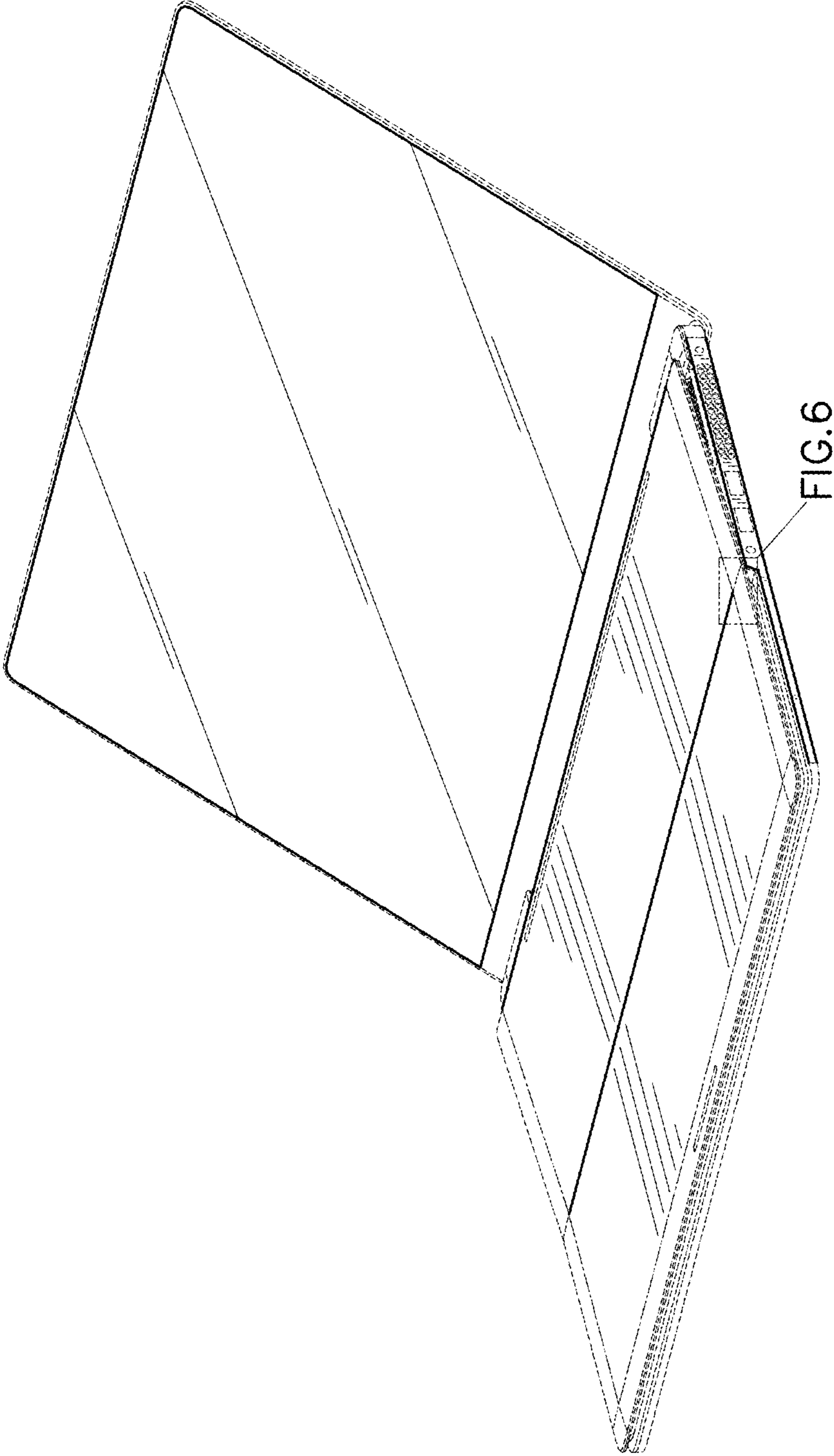


FIG. 1



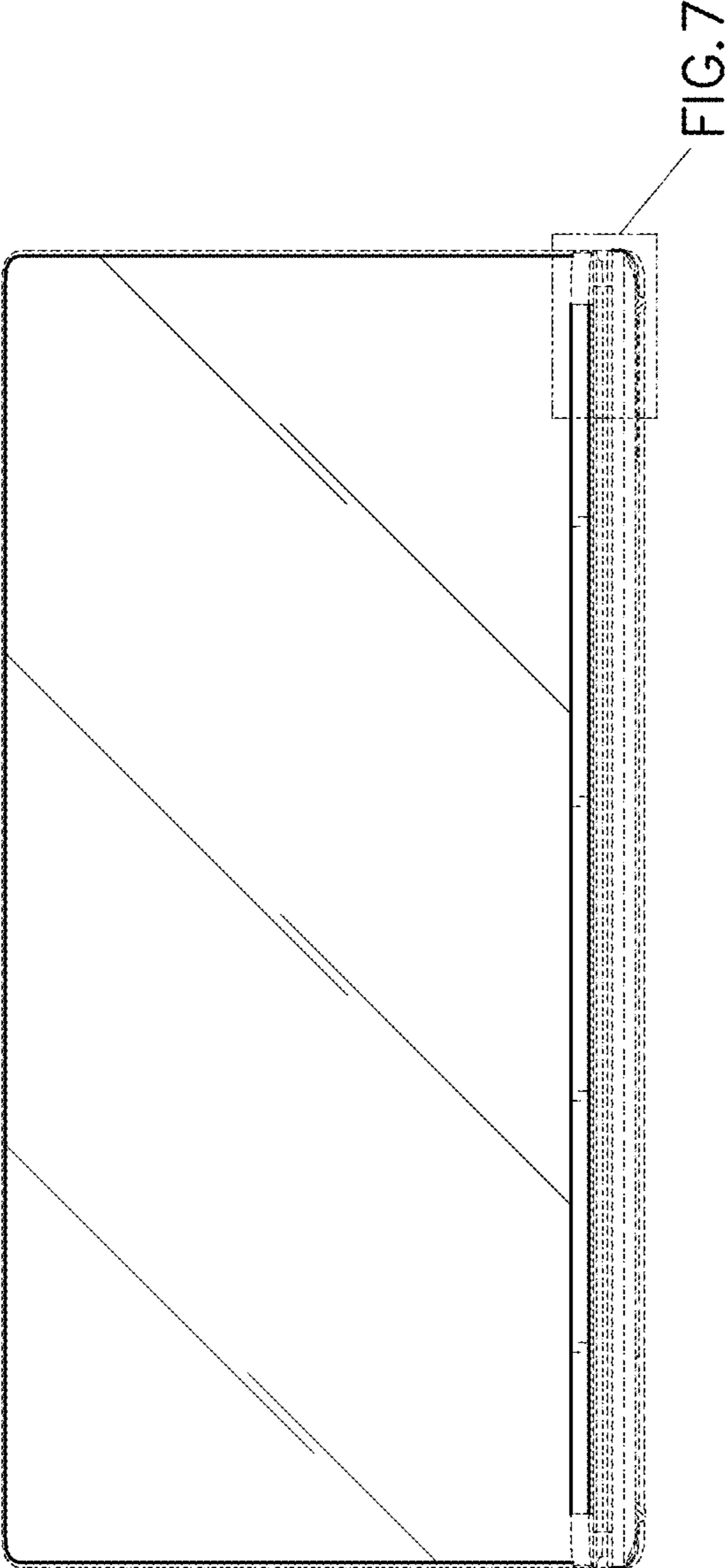


FIG. 2

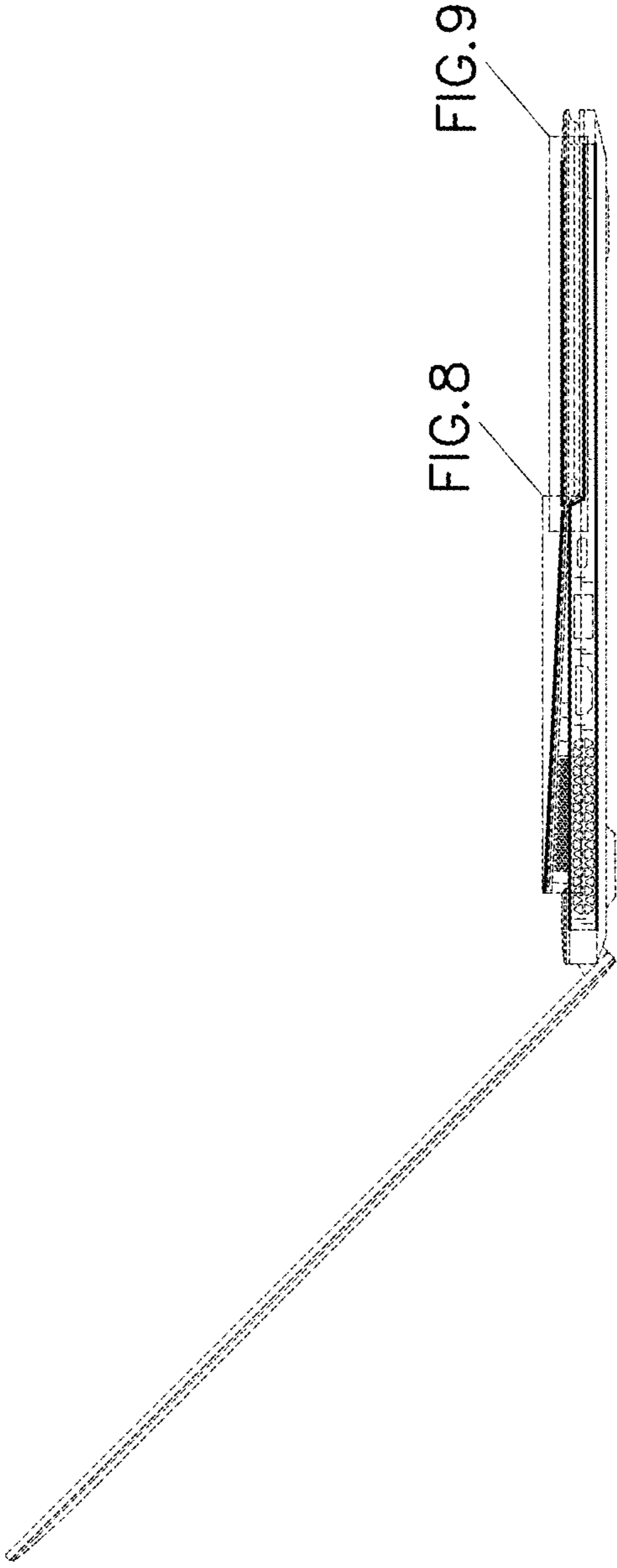


FIG. 3

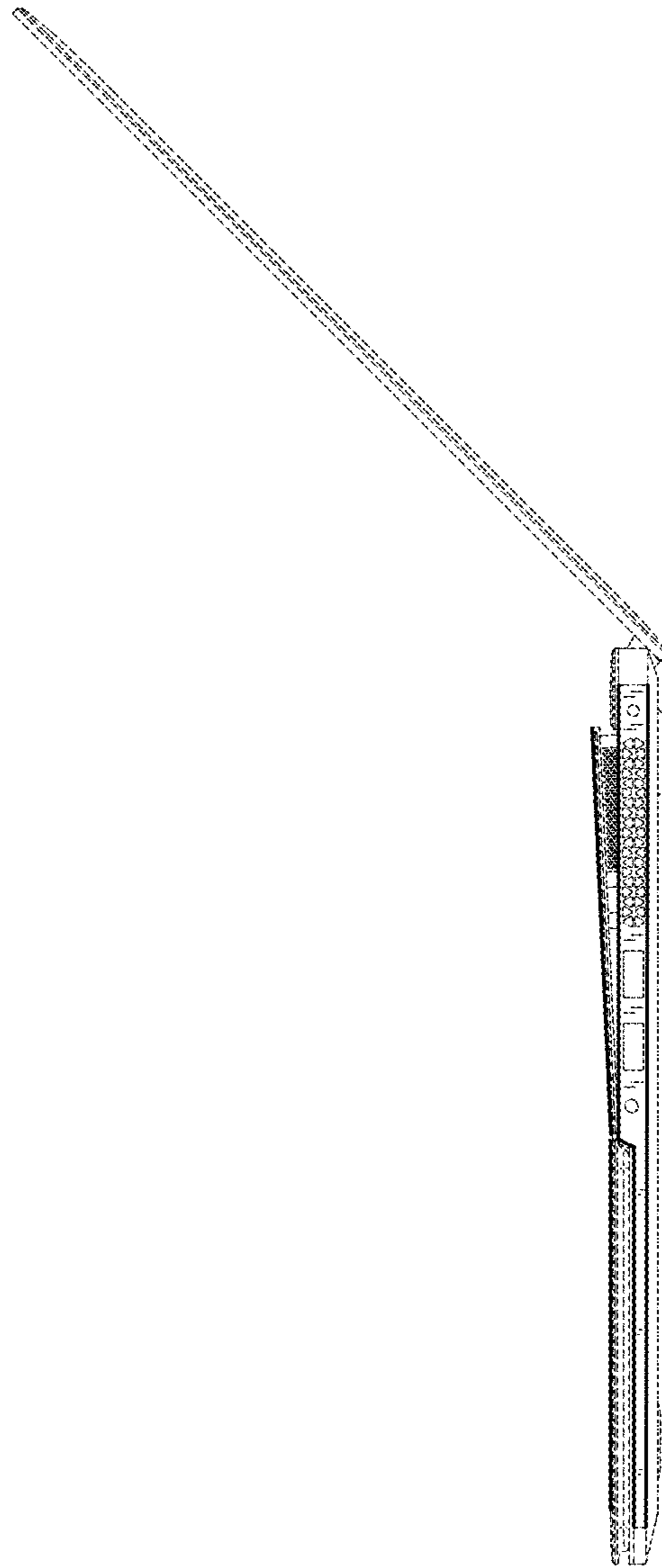


FIG. 4

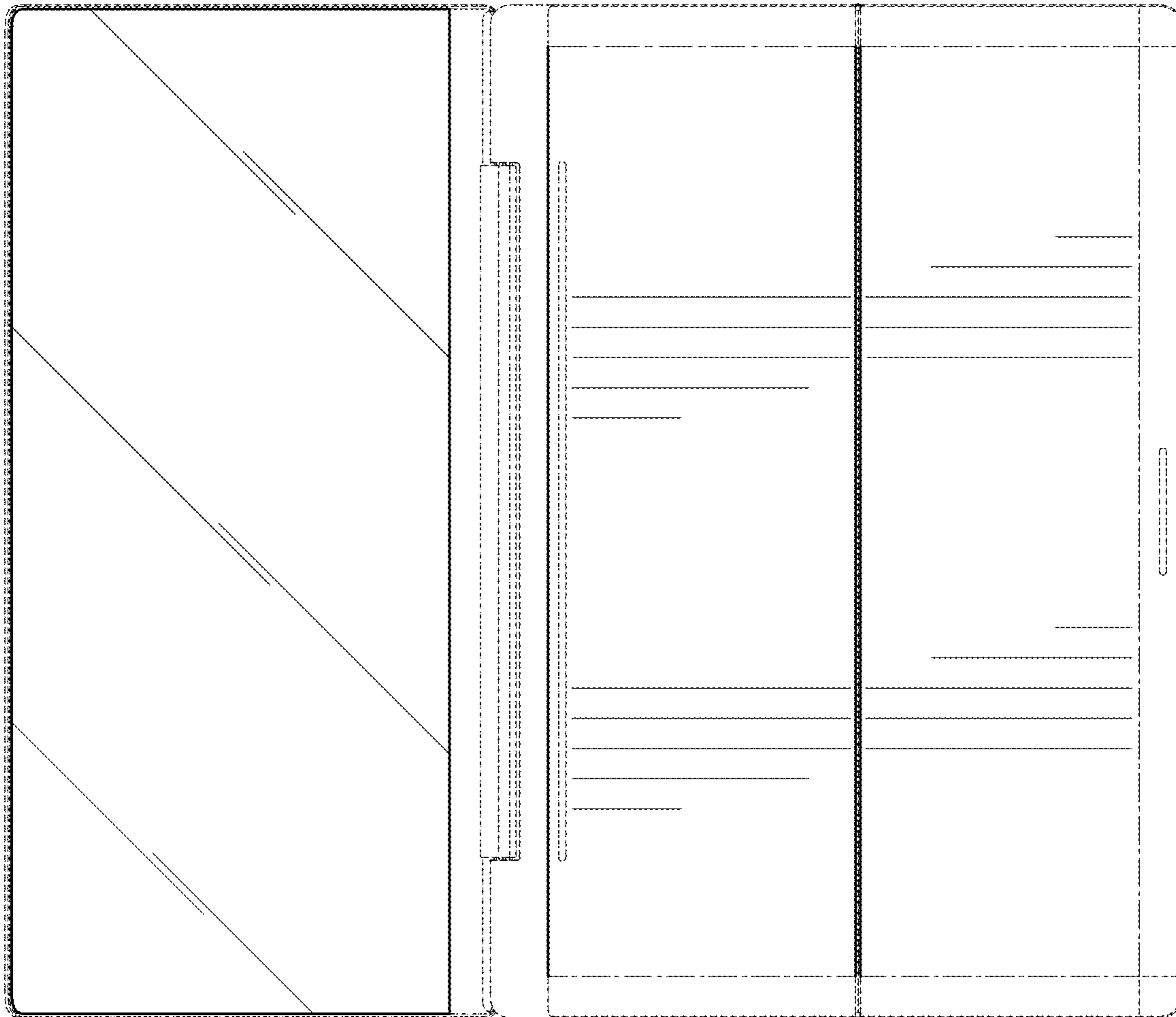


FIG. 5

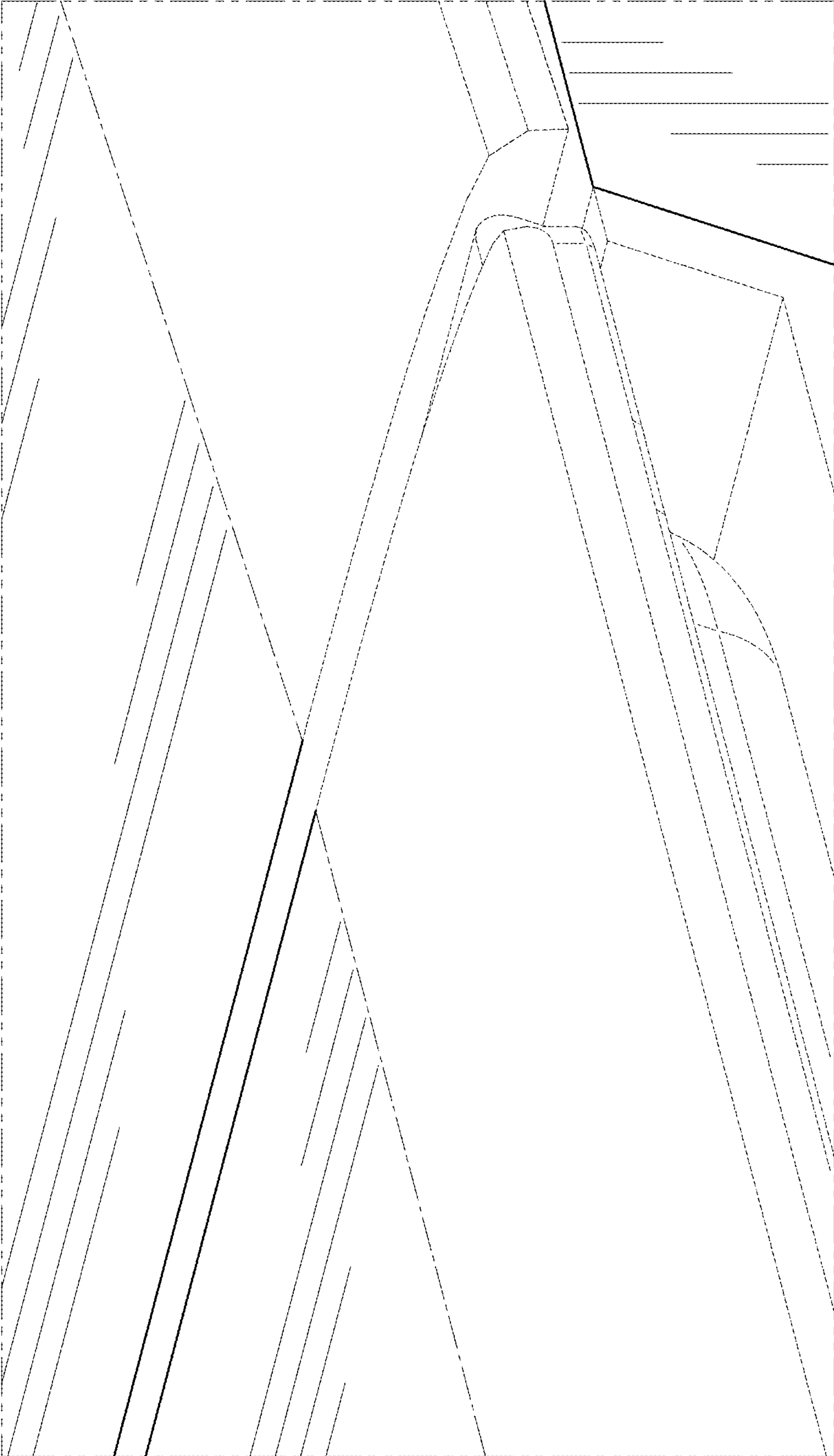


FIG. 6



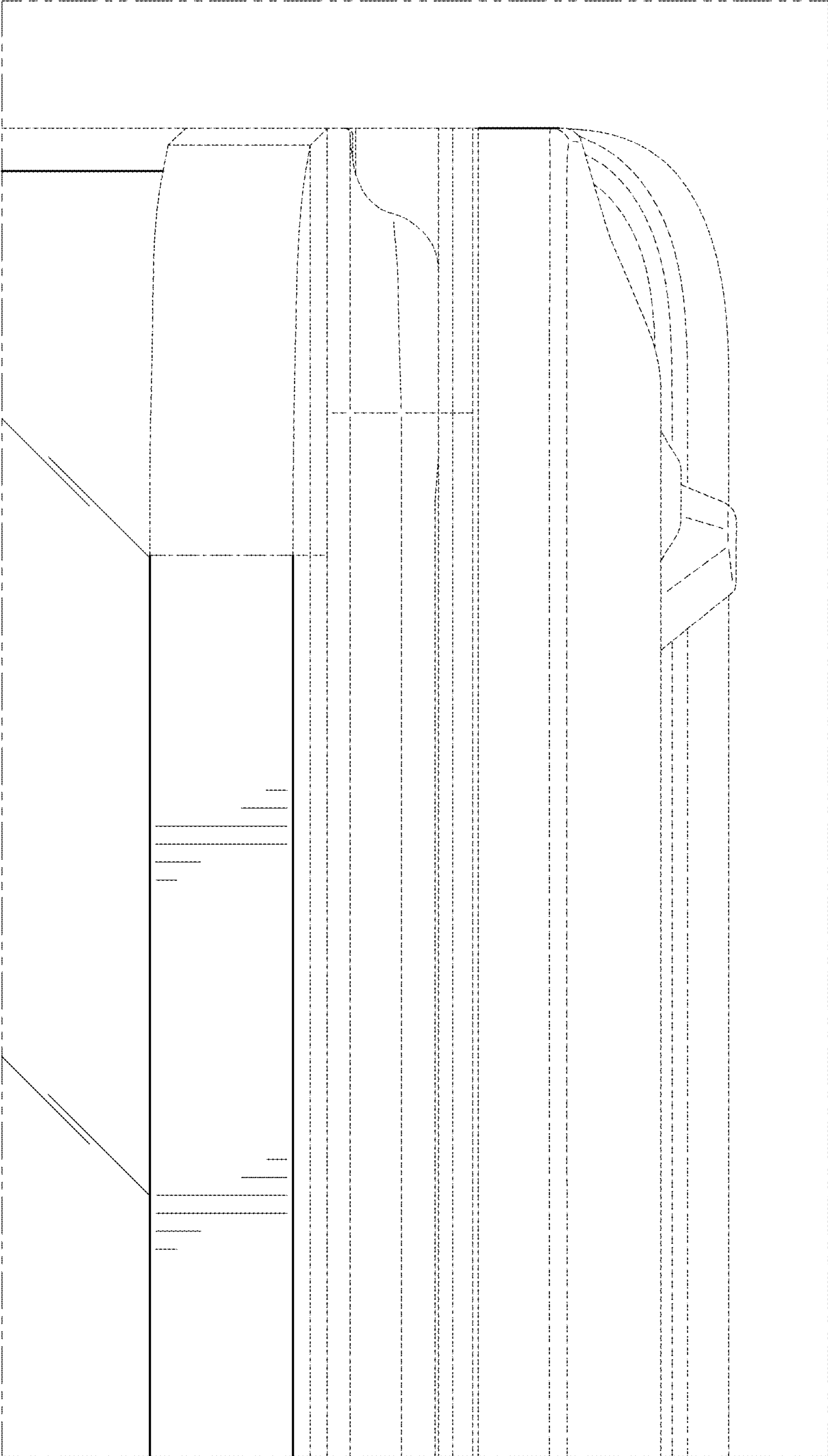


FIG. 7

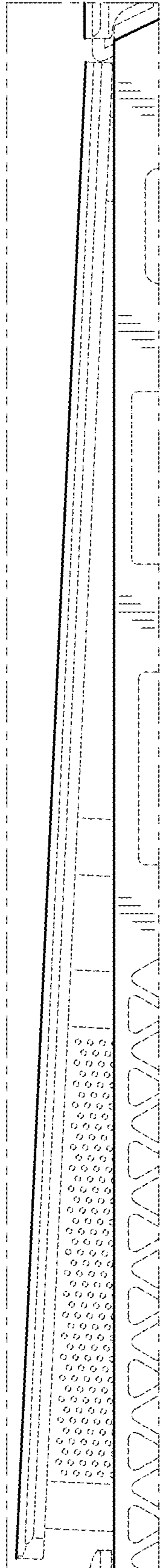


FIG. 8

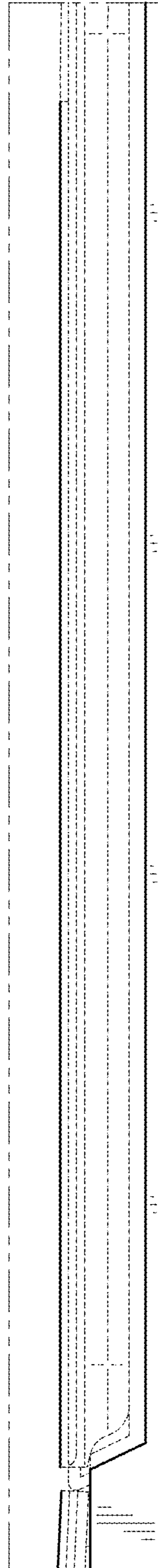


FIG. 9