



US00D920965S

(12) **United States Design Patent**
Lim et al.

(10) **Patent No.:** **US D920,965 S**
(45) **Date of Patent:** **** Jun. 1, 2021**

- (54) **CASE FOR CELLULAR PHONE**
- (71) Applicant: **LG ELECTRONICS INC.**, Seoul (KR)
- (72) Inventors: **Seongjae Lim**, Seoul (KR); **Hyunggon Ryu**, Seoul (KR); **Seungbeom Park**, Seoul (KR); **Jiyoun Cha**, Seoul (KR)
- (73) Assignee: **LG ELECTRONICS INC.**, Seoul (KR)
- (**) Term: **15 Years**
- (21) Appl. No.: **35/508,764**
- (22) Filed: **Sep. 2, 2019**
- (80) **Hague Agreement Data**

Int. Filing Date: **Sep. 2, 2019**
 Int. Reg. No.: **DM/204415**
 Int. Reg. Date: **Sep. 2, 2019**
 Int. Reg. Pub. Date: **Mar. 6, 2020**

- (51) **LOC (13) Cl.** **14-03**
- (52) **U.S. Cl.**
USPC **D14/250**

(58) **Field of Classification Search**
 USPC D14/250, 217, 238.1, 240, 248, 251-253, D14/439, 440, 447; D13/107, 108, 119; D3/201, 218, 247, 269, 273, 301, 303
 CPC H04B 1/3888; H04M 1/0283; H04M 1/0202; A45C 1/06; A45C 11/00; A45C 13/02; A45C 2011/002; A45F 2005/026; A45F 2200/0525; A45F 2200/0516
 See application file for complete search history.

- (56) **References Cited**
U.S. PATENT DOCUMENTS

D705,207 S * 5/2014 Kim D14/250
 D710,838 S * 8/2014 Song D14/250

D751,539 S * 3/2016 Ahn D14/250
 D767,888 S * 10/2016 Kim D3/249
 D791,758 S * 7/2017 Lee D14/250
 D794,008 S * 8/2017 Lee D14/250
 D794,009 S * 8/2017 Lee D14/250
 D819,007 S * 5/2018 Kim D14/250
 D822,989 S * 7/2018 Persson D3/249
 D837,195 S * 1/2019 Kaiser D14/250
 D871,066 S * 12/2019 Feng D3/249
 D879,759 S * 3/2020 Oh D14/250
 D879,764 S * 3/2020 Lee D14/250
 D891,416 S * 7/2020 Yu D14/250
 D895,594 S * 9/2020 Kim D14/250
 D895,599 S * 9/2020 Zhao D14/250
 D899,412 S * 10/2020 Lee D14/250
 D900,800 S * 11/2020 Sirju D14/250
 D900,801 S * 11/2020 Zhang D14/250
 2003/0150756 A1 * 8/2003 Kajiya A45C 13/02
 206/320
 2008/0053851 A1 * 3/2008 Ko G06F 1/1628
 206/320

(Continued)

Primary Examiner — Bao-Yen T Nguyen
 (74) *Attorney, Agent, or Firm* — Birch, Stewart, Kolasch & Birch, LLP

(57) **CLAIM**

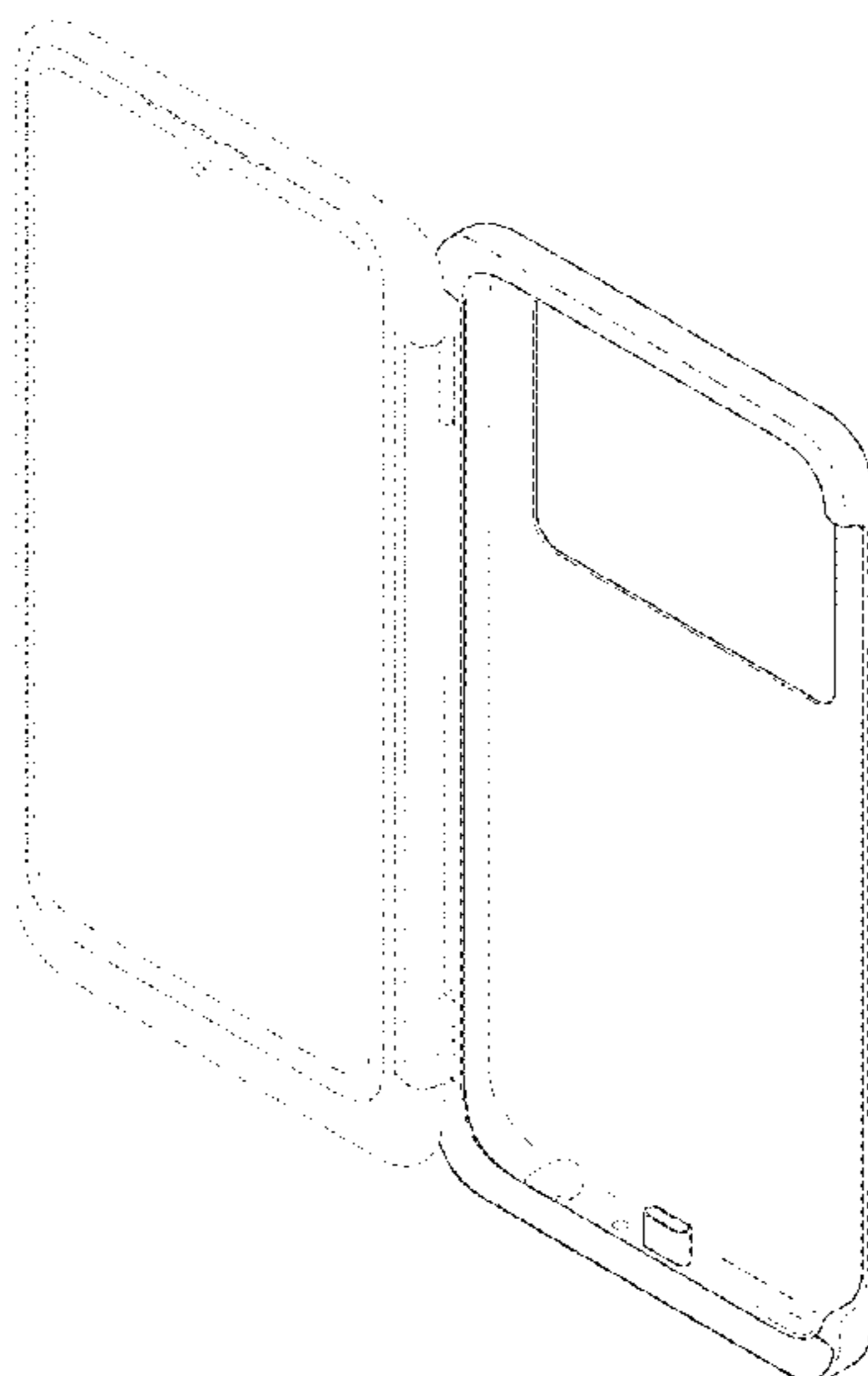
The ornamental design for case for cellular phone, as shown and described.

DESCRIPTION

- 1. Case for cellular phone
- 1.1 : Perspective
- 1.2 : Rear perspective view
- 1.3 : Front
- 1.4 : Back
- 1.5 : Left
- 1.6 : Right
- 1.7 : Top
- 1.8 : Bottom

The broken lines indicate portions of the article that form no part of the claimed design.

1 Claim, 8 Drawing Sheets



(56)

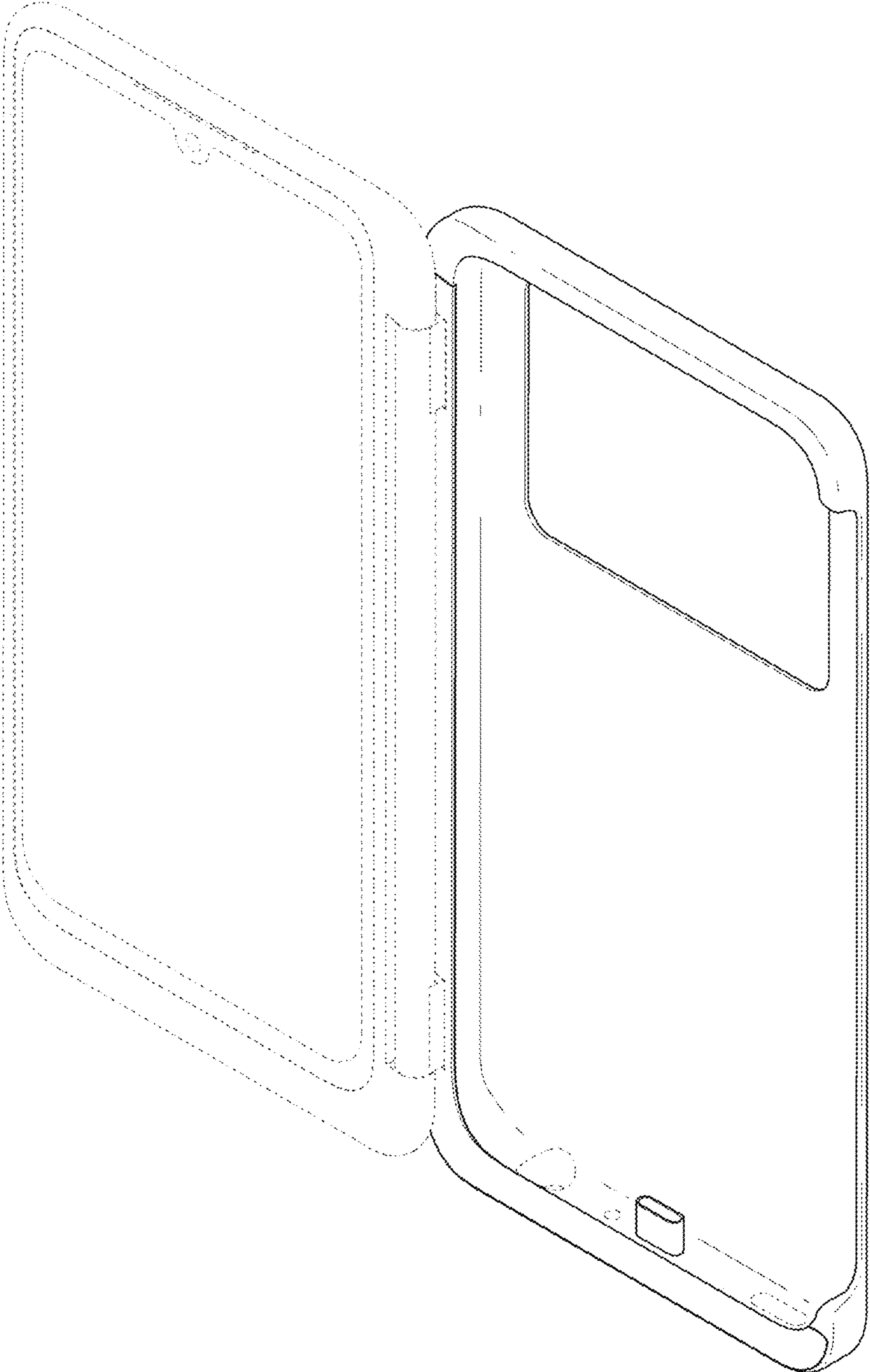
References Cited

U.S. PATENT DOCUMENTS

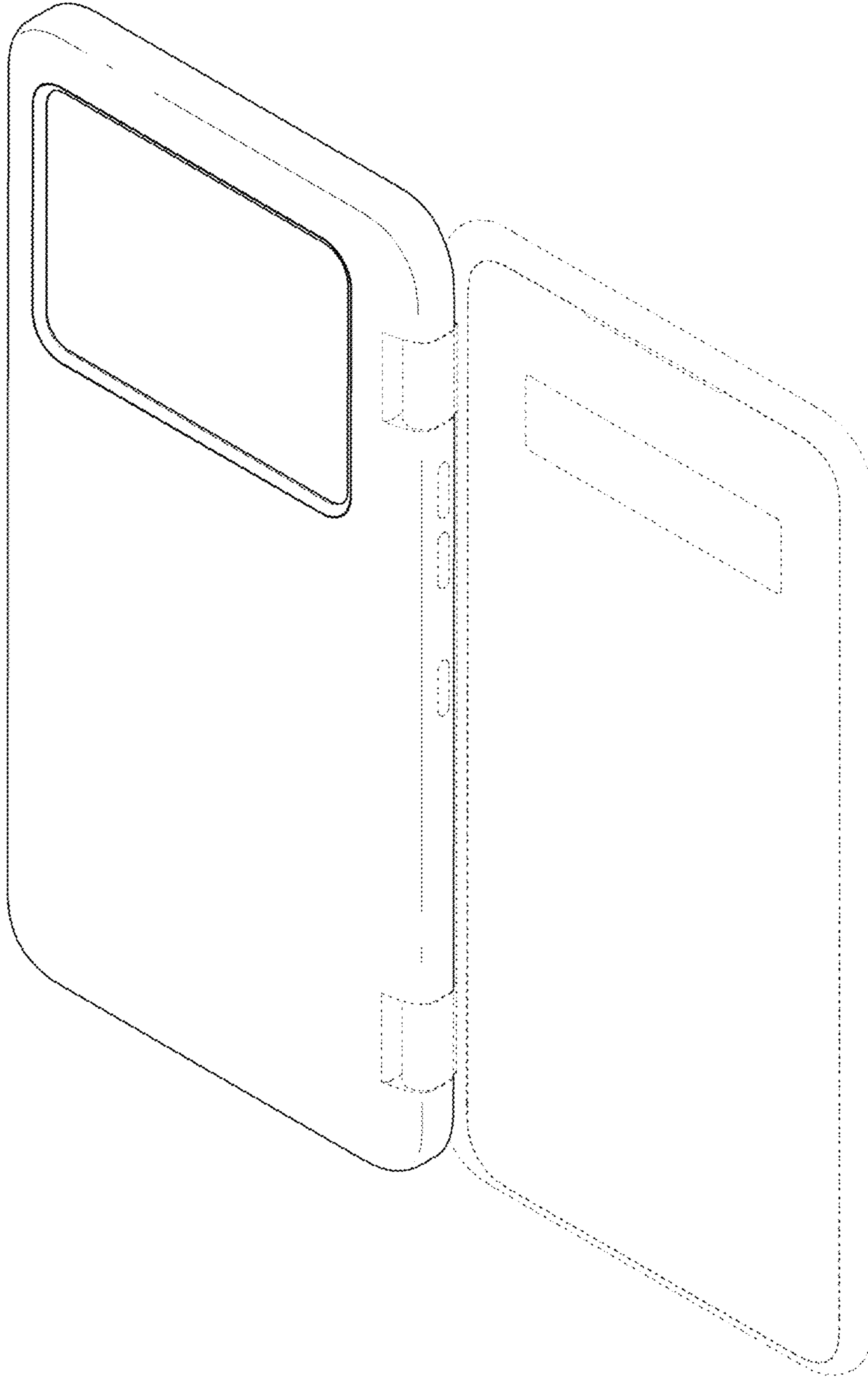
2008/0251512 A1* 10/2008 Griffin A45C 11/00
220/4.02
2014/0262934 A1* 9/2014 Fathollahi A45C 11/182
206/774
2015/0155903 A1* 6/2015 Jang H04M 1/04
455/575.8

* cited by examiner

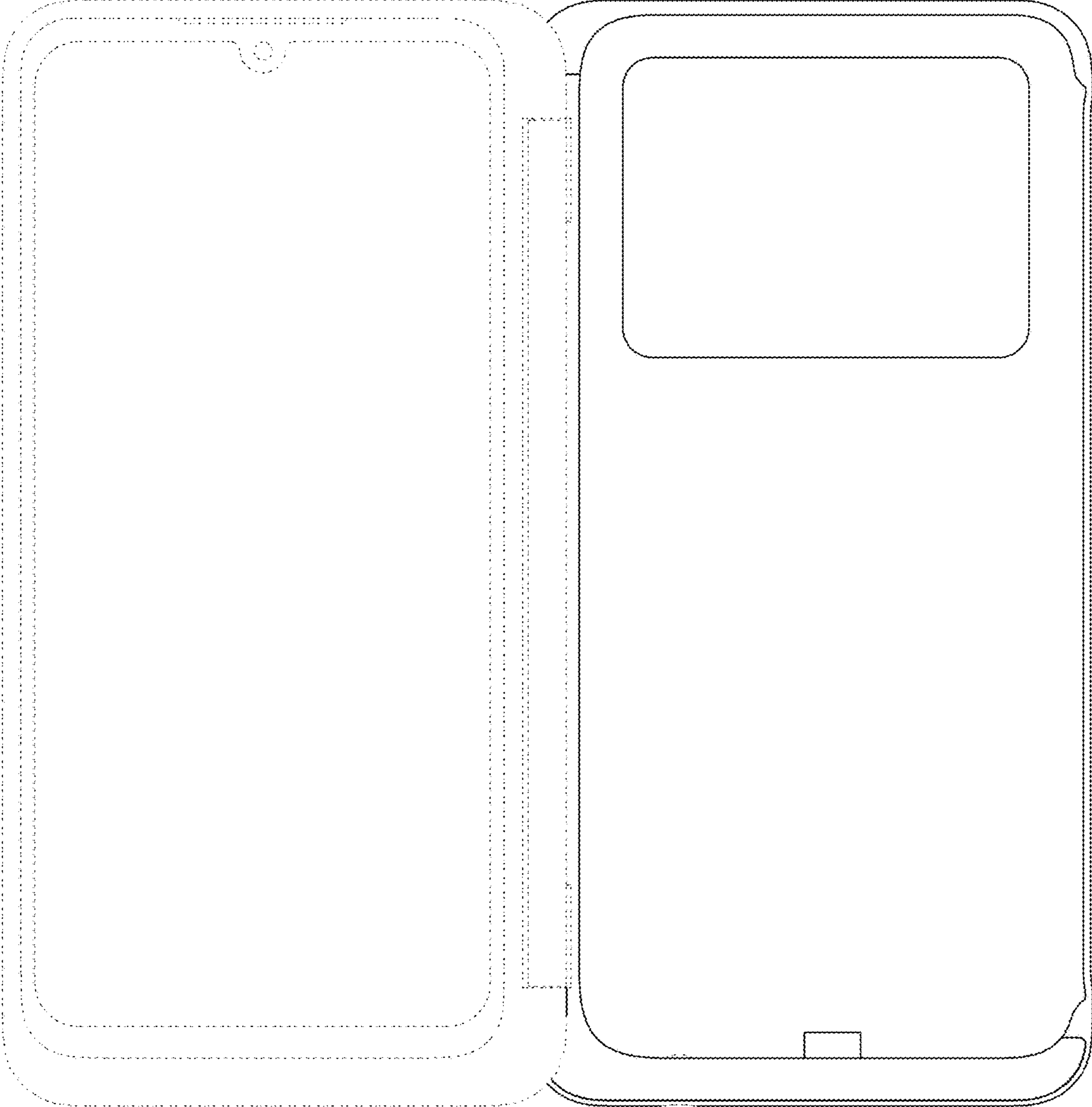
1.1



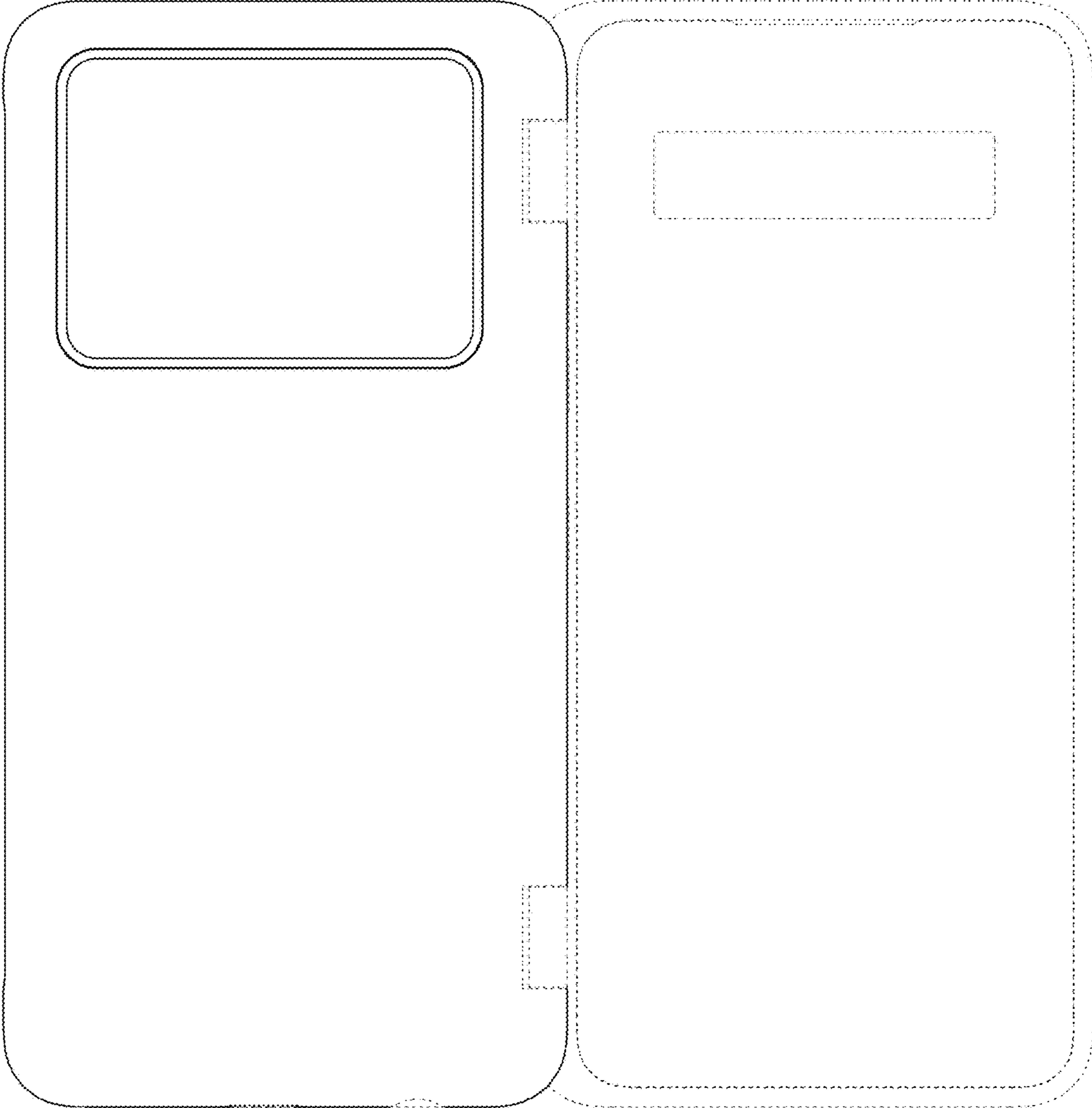
1.2



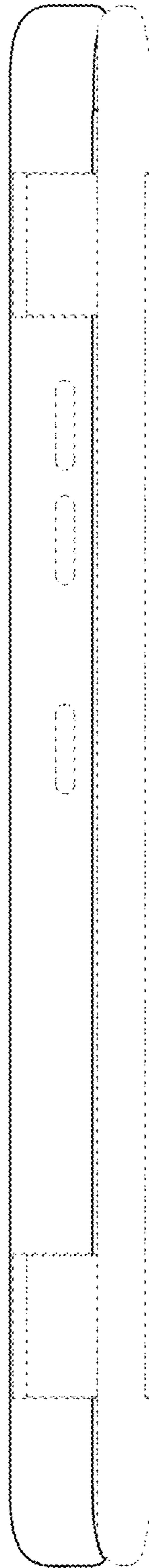
1.3



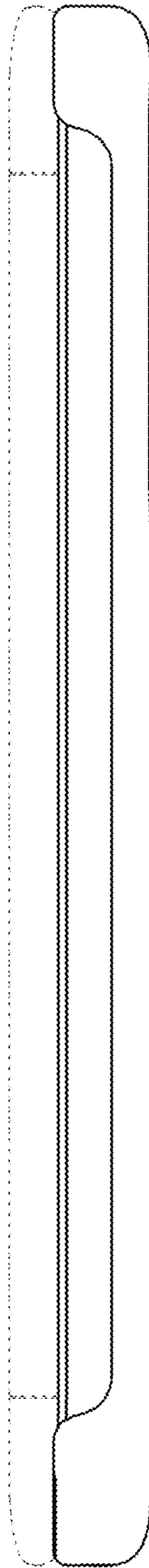
1.4



1.5



1.6



1.7



1.8

