



US00D920961S

(12) **United States Design Patent**
Shimada et al.

(10) **Patent No.:** **US D920,961 S**
(45) **Date of Patent:** **** Jun. 1, 2021**

- (54) **ANTENNA FOR WIRELESS TAG**
- (71) Applicants: **DAIO PAPER CORPORATION**,
Ehime (JP); **DAIO ENGINEERING Co., Ltd.**, Ehime (JP)
- (72) Inventors: **Takuro Shimada**, Ehime (JP); **Bista Alina**, Ehime (JP)
- (73) Assignees: **DAIO PAPER CORPORATION**,
Ehime (JP); **DAIO ENGINEERING Co., Ltd.**, Ehime (JP)
- (**) Term: **15 Years**
- (21) Appl. No.: **29/716,092**
- (22) Filed: **Dec. 6, 2019**
- (30) **Foreign Application Priority Data**

7,994,995	B2 *	8/2011	Ritamaki	H01Q 1/2208
				343/745
8,115,618	B2 *	2/2012	Robertson	A61B 1/00016
				340/539.12
D656,131	S *	3/2012	Suleiman	D14/230
D665,385	S *	8/2012	Conrad	D14/230
D708,601	S *	7/2014	Forster	D14/230
D710,338	S *	8/2014	Forster	D14/230
8,797,148	B2 *	8/2014	Kato	H01Q 1/2208
				340/10.51
D715,783	S *	10/2014	Forster	D14/230
D716,773	S *	11/2014	Forster	D14/230
9,390,367	B2 *	7/2016	Machado	H01Q 21/0075
D776,093	S *	1/2017	Forster	D14/230
D779,464	S *	2/2017	Man	D14/230
D794,001	S *	8/2017	Ota	D14/230
D799,456	S *	10/2017	Forster	D14/230
D815,623	S *	4/2018	Yang	D14/230
D819,608	S *	6/2018	Manivannan	D14/230
D840,380	S *	2/2019	Forster	D14/230
D855,592	S *	8/2019	Wu	D14/230
D879,079	S *	3/2020	Ota	D14/230
D912,018	S *	3/2021	Shimada	D14/230

(Continued)

- Jun. 18, 2019 (JP) 2019-013422
- (51) **LOC (13) Cl.** **14-03**
- (52) **U.S. Cl.**
USPC **D14/230**
- (58) **Field of Classification Search**
USPC D14/138, 230-238, 299, 358; D12/42,
D12/43
CPC H01Q 7/00; H01Q 13/10; H01Q 9/285;
H01Q 19/30; H01Q 19/12; H01Q 1/38;
H01Q 1/36; H01Q 2/0027; H01Q 1/48;
H01Q 9/045; H01Q 1/243; H04B 1/0475;
H04B 1/034; H05K 11/00
See application file for complete search history.

- (56) **References Cited**
U.S. PATENT DOCUMENTS
D606,056 S * 12/2009 Oliver D14/230
D620,484 S * 7/2010 Oliver D14/230

Primary Examiner — John Windmuller

(74) *Attorney, Agent, or Firm* — IPUSA, PLLC

(57) **CLAIM**

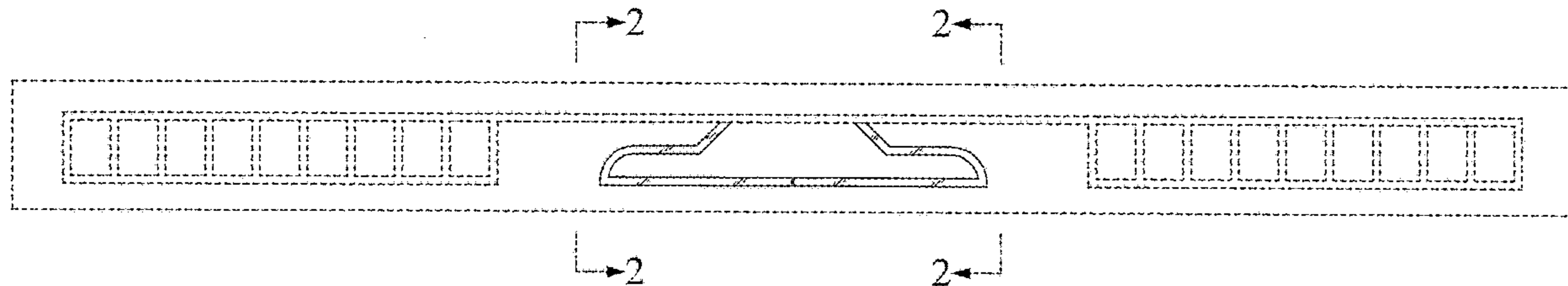
The ornamental design for an antenna for wireless tag, as shown and described.

DESCRIPTION

FIG. 1 is a front plan view of an antenna for wireless tag, showing our new design; and, FIG. 2 is an enlarged portion view thereof, illustrating the region indicated by 2 in FIG. 1.

The broken lines in the drawings illustrate portions of the antenna for wireless tag that form no part of the claimed design. The dot-dash lines represent only the boundary between the claimed portion and unclaimed portions. All sides not shown form no part of the claimed design.

1 Claim, 2 Drawing Sheets



(56)

References Cited

U.S. PATENT DOCUMENTS

2009/0212919 A1* 8/2009 Selgrath G06K 19/0776
340/10.1
2012/0092027 A1* 4/2012 Forster G05D 22/02
324/658
2015/0069135 A1* 3/2015 Kang G06K 19/07783
235/492

* cited by examiner

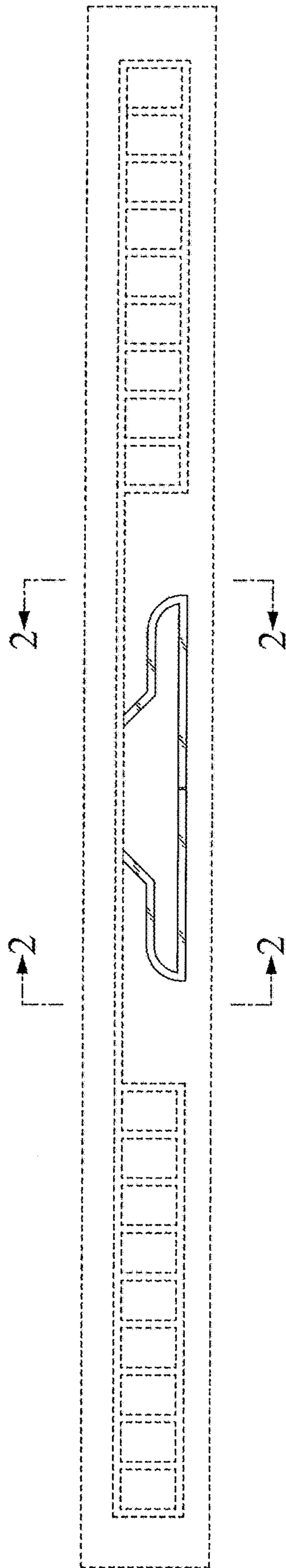


Fig. 1

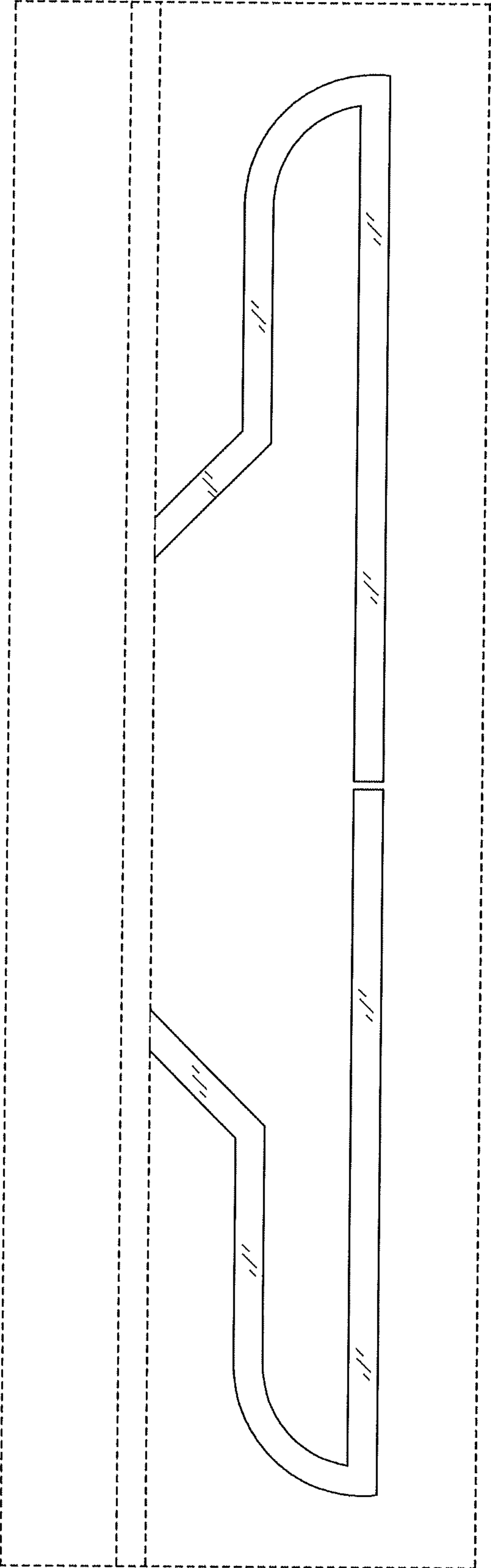


Fig. 2