



US00D920960S

(12) **United States Design Patent** (10) **Patent No.:** **US D920,960 S**  
**Shimada et al.** (45) **Date of Patent:** **\*\* Jun. 1, 2021**

- (54) **ANTENNA FOR WIRELESS TAG** 4,786,914 A \* 11/1988 Wu ..... H01Q 15/248  
343/756
- (71) Applicants: **DAIO PAPER CORPORATION,** D454,862 S \* 3/2002 Chen ..... D14/230  
Ehime (JP); **DAIO ENGINEERING** 6,417,816 B2 \* 7/2002 Sadler ..... H01Q 1/243  
**Co., ltd.,** Ehime (JP) 343/702
- (72) Inventors: **Takuro Shimada,** Ehime (JP); **Bista** D589,500 S \* 3/2009 Callas ..... D14/230  
**Alina,** Ehime (JP) D612,838 S \* 3/2010 Piltonen ..... D14/230  
D620,484 S \* 7/2010 Oliver ..... D14/230  
8,115,618 B2 \* 2/2012 Robertson ..... A61B 1/00016  
340/539.12
- (73) Assignees: **DAIO PAPER CORPORATION,** D682,813 S \* 5/2013 Huang ..... D14/230  
Ehime (JP); **DAIO ENGINEERING** D715,782 S \* 10/2014 Forster ..... D14/230  
**Co., ltd.,** Ehime (JP) D715,783 S \* 10/2014 Forster ..... D14/230  
D716,773 S \* 11/2014 Forster ..... D14/230  
D760,205 S \* 6/2016 Zheng ..... D14/230  
D773,444 S \* 12/2016 He ..... D14/230  
D840,380 S \* 2/2019 Forster ..... D14/230  
D856,983 S \* 8/2019 Zheng ..... D14/230
- (\*\*) Term: **15 Years**
- (21) Appl. No.: **29/716,090**
- (22) Filed: **Dec. 6, 2019**

- (30) **Foreign Application Priority Data**
- Jun. 18, 2019 (JP) ..... 2019-013426
- (51) **LOC (13) Cl.** ..... **14-03**
- (52) **U.S. Cl.**  
USPC ..... **D14/230**
- (58) **Field of Classification Search**  
USPC ..... D14/138, 230-238, 299, 358; D12/42,  
D12/43  
CPC ..... H01Q 7/00; H01Q 13/10; H01Q 9/285;  
H01Q 19/30; H01Q 19/12; H01Q 1/38;  
H01Q 1/36; H01Q 2/0027; H01Q 1/48;  
H01Q 9/045; H01Q 1/243; H04B 1/0475;  
H04B 1/034; H05K 11/00  
See application file for complete search history.

- (56) **References Cited**  
U.S. PATENT DOCUMENTS
- 4,038,662 A \* 7/1977 Turner ..... H01Q 9/065  
343/752
- 4,381,566 A \* 4/1983 Kane ..... H01Q 1/36  
343/713

(Continued)

Primary Examiner — John Windmuller  
(74) Attorney, Agent, or Firm — IPUSA, PLLC

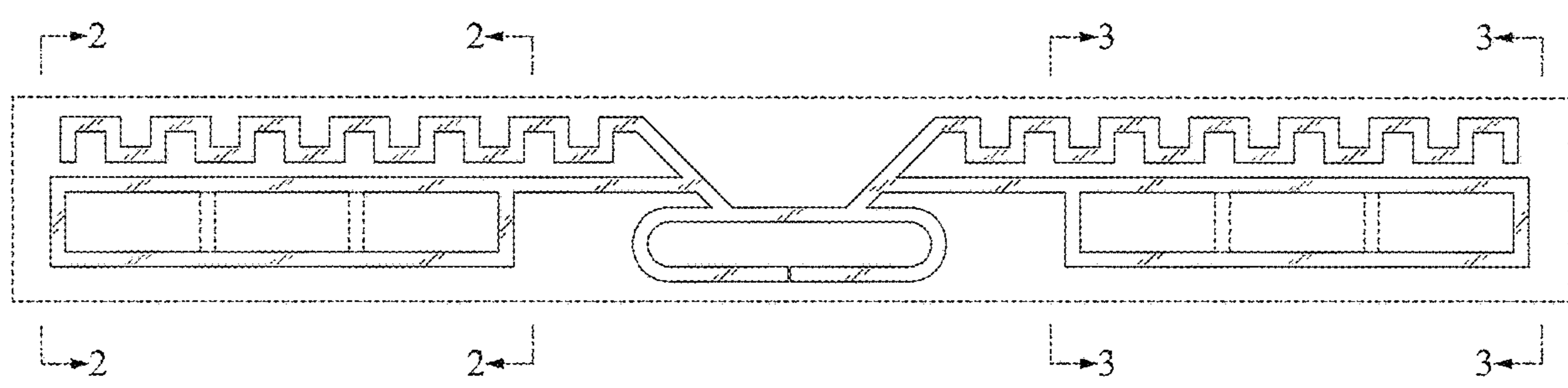
(57) **CLAIM**

The ornamental design for an antenna for wireless tag, as shown and described.

**DESCRIPTION**

FIG. 1 is a front plan view of an antenna for wireless tag, showing our new design;  
FIG. 2 is an enlarged portion view thereof, illustrating the region indicated by 2 in FIG. 1; and,  
FIG. 3 is an enlarged portion view thereof, illustrating the region indicated by 3 in FIG. 1.  
The broken lines in the drawings illustrate portions of the antenna for wireless tag that form no part of the claimed design. The dot-dash lines represent only the boundary between the claimed portion and unclaimed portions. All sides not shown form no part of the claimed design.

**1 Claim, 3 Drawing Sheets**



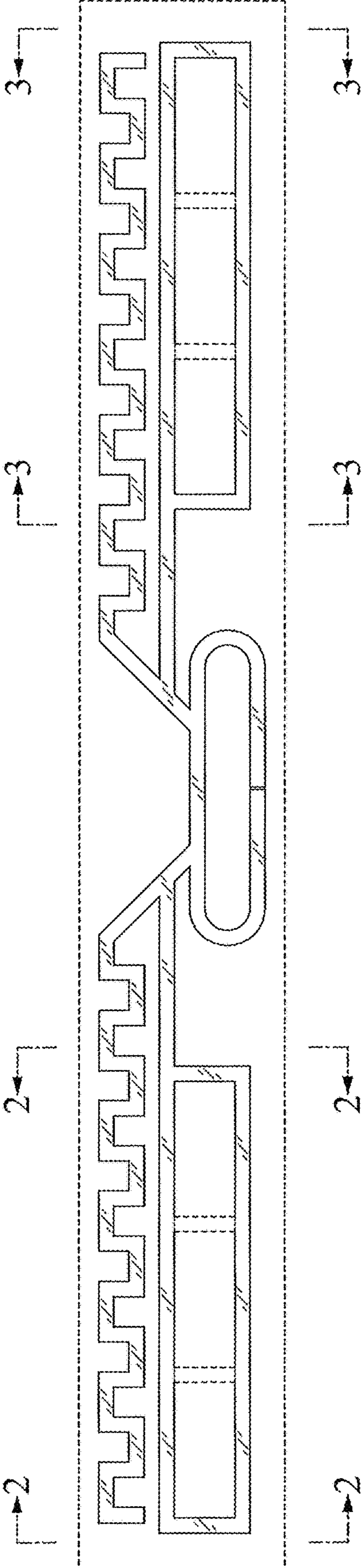
(56)

**References Cited**

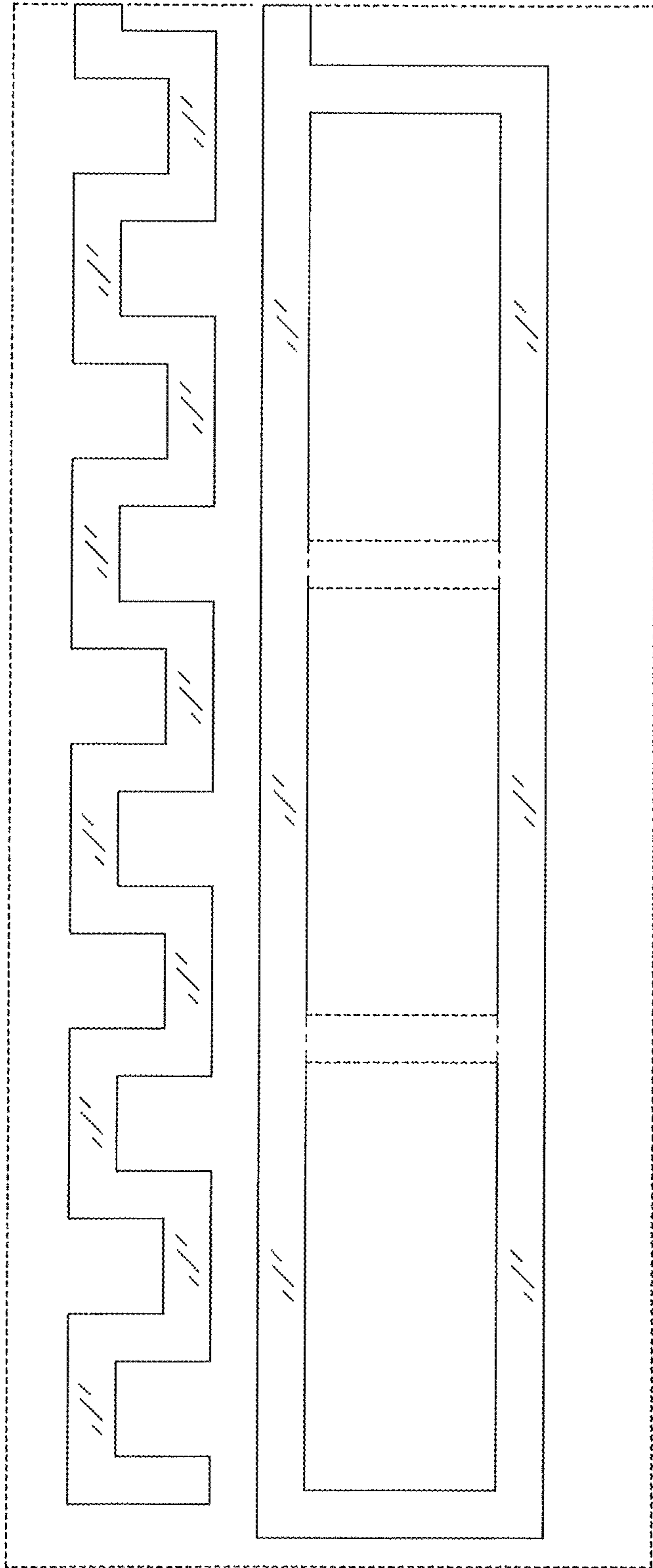
U.S. PATENT DOCUMENTS

2003/0006940	A1 *	1/2003	Washiro .....	H01Q 1/38 343/895
2004/0104850	A1 *	6/2004	Otaka .....	H01Q 5/371 343/700 MS
2008/0018537	A1 *	1/2008	Tseng .....	H01Q 5/357 343/700 MS

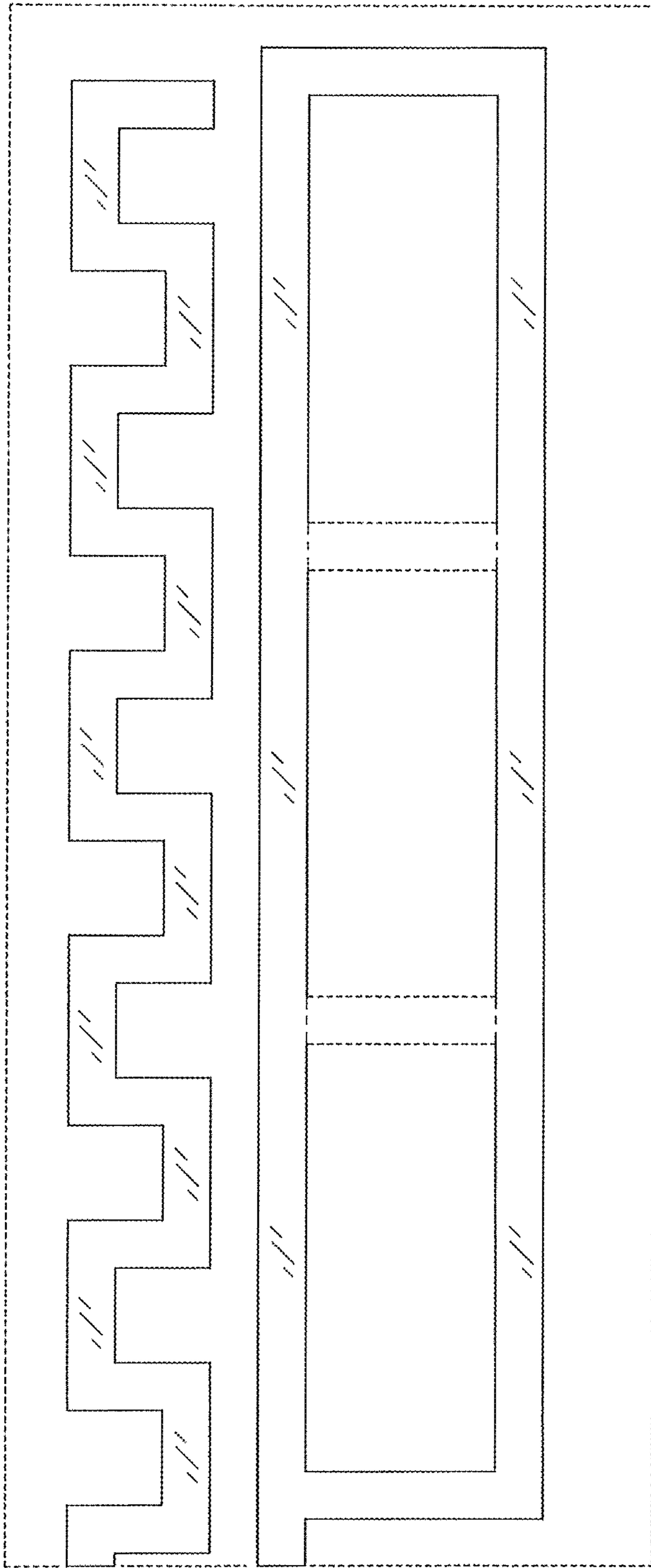
\* cited by examiner



*Fig. 1*



*Fig. 2*



*Fig. 3*