

US00D920957S

(12) **United States Design Patent**
Zheng

(10) **Patent No.: US D920,957 S**

(45) **Date of Patent: ** *Jun. 1, 2021**

(54) **WIRELESS SPEAKER**

(71) Applicant: **Shenzhen Doageas Technology Limited, Shenzhen (CN)**

(72) Inventor: **Jian Zheng, Shenzhen (CN)**

(*) Notice: This patent is subject to a terminal disclaimer.

(**) Term: **15 Years**

(21) Appl. No.: **29/758,539**

(22) Filed: **Nov. 17, 2020**

(51) **LOC (13) Cl.** **14-01**

(52) **U.S. Cl.**
USPC **D14/209.1; D14/214; D14/223**

(58) **Field of Classification Search**
USPC D14/223, 205, 215, 216, 214, 203.3, D14/203.6, 496, 253, 480.6, 209.1, 204; D24/174; 128/864, 865, 866; D13/108; D3/201, 249, 207, 208, 215, 218, 294, D3/274; 224/666, 904; D8/395; D28/77, 85; D9/420; 455/90.3, 575.1, 455/569.1
CPC H04R 1/10; H04R 25/00; H04R 1/1016; H04R 5/033; H04R 5/0335; H04R 1/02; H04R 5/00; H04R 9/06; H02J 7/02; B65D 21/02
See application file for complete search history.

5,057,761 A * 10/1991 Felegyhazi, Sr. ... H02J 7/00047
320/110

D336,281 S * 6/1993 Nakamura D13/107

D367,211 S * 2/1996 Cautereels D3/294

D374,611 S * 10/1996 Bonoan 401/104

6,044,973 A * 4/2000 Vasudeva B25H 3/023
206/372

D443,856 S * 6/2001 Lehtovaara D13/107

D446,511 S * 8/2001 Kanno D14/167

D478,725 S * 8/2003 Vasudeva D3/282

6,606,769 B1 * 8/2003 Harris F16B 45/02
224/180

D479,221 S * 9/2003 Wong D14/192

(Continued)

FOREIGN PATENT DOCUMENTS

EM 006952644-0001 * 9/2019

EM 008368369-0001 * 12/2020

JP D1660248 * 10/2019

Primary Examiner — Paula Allen Greene

(57) **CLAIM**

The ornamental design for a wireless speaker, as shown and described.

DESCRIPTION

FIG. 1 is a front and top perspective view of a wireless speaker, showing my new design;

FIG. 2 is a front elevational view thereof;

FIG. 3 is a rear elevational view thereof;

FIG. 4 is a left side elevational view thereof;

FIG. 5 is a right side elevational view thereof;

FIG. 6 is a top plan view thereof;

FIG. 7 is a bottom plan view thereof;

FIG. 8 is a front and top perspective view thereof, showing the wireless speaker in a closed position; and,

FIG. 9 is an enlarged view of a portion indicated with numeric 9 in FIG. 1.

The broken lines in the figures illustrate portions of the wireless speaker that form no part of the claimed design.

1 Claim, 9 Drawing Sheets

(56) **References Cited**

U.S. PATENT DOCUMENTS

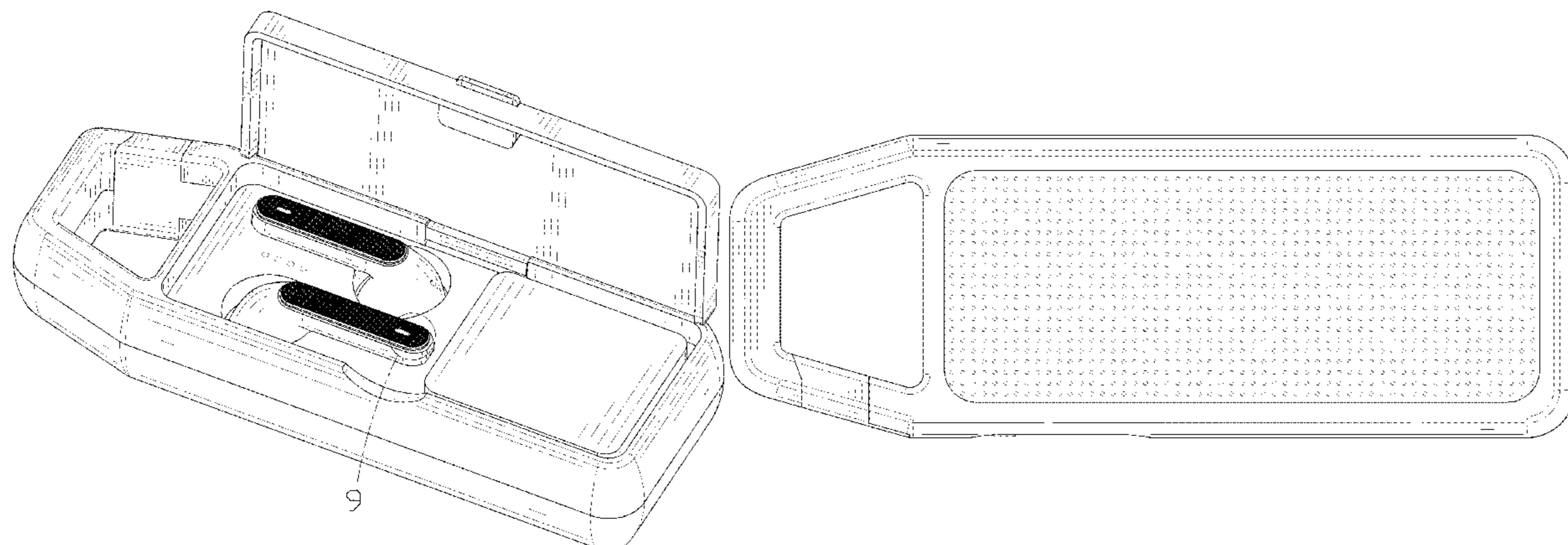
D117,437 S * 10/1939 Holt et al. D9/420

2,896,290 A * 7/1959 Salm A44B 15/00
24/600.4

3,294,298 A * 12/1966 Danielson A45F 5/00
224/666

D250,433 S * 11/1978 Malcolm D3/282

D309,829 S * 8/1990 Iacovelli D12/423



(56)

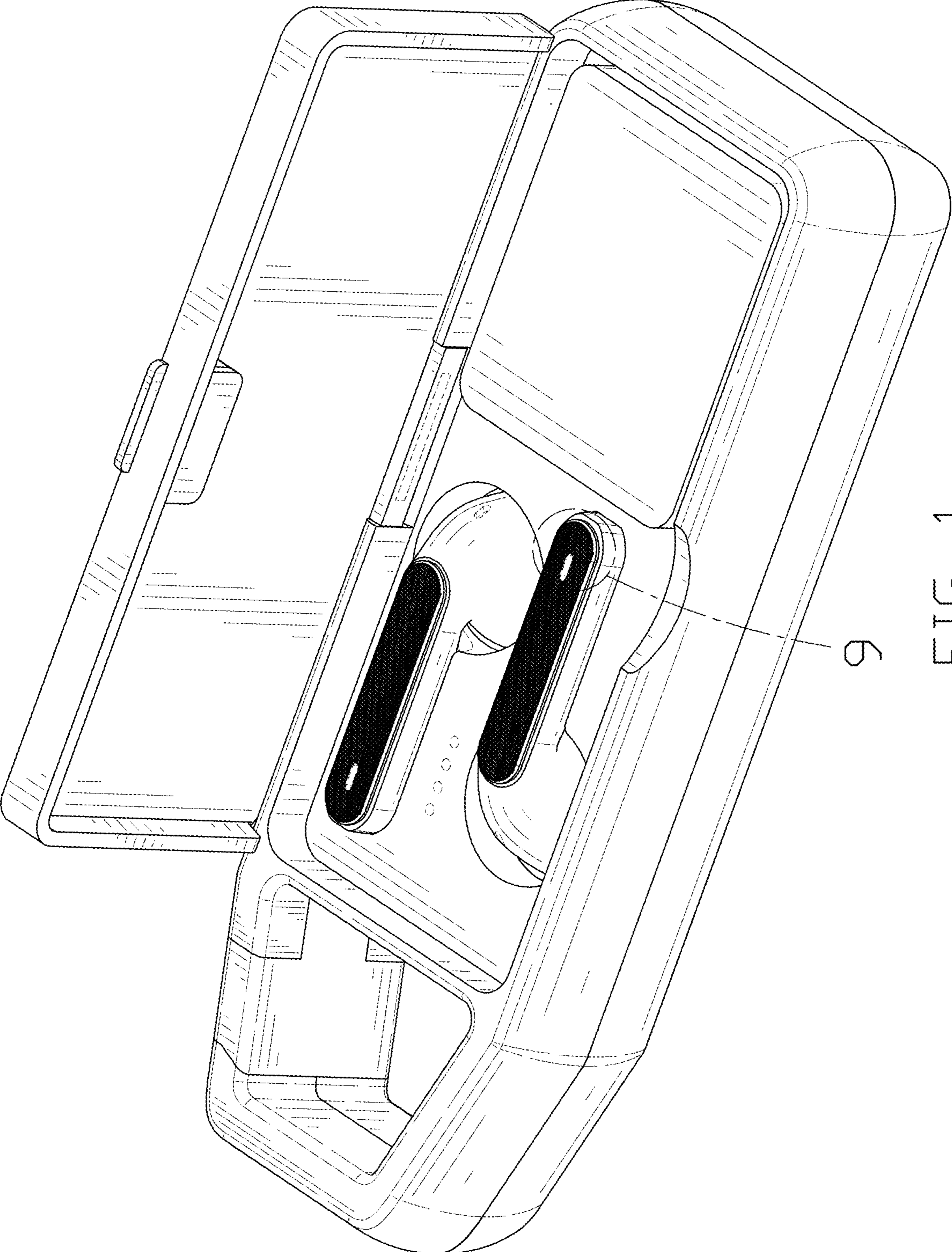
References Cited

U.S. PATENT DOCUMENTS

6,625,469 B1 * 9/2003 Hwang H04B 1/385
 379/433.01
 D483,014 S * 12/2003 Hsiao D13/107
 D495,488 S * 9/2004 Singh D3/282
 D504,767 S * 5/2005 DiMarchi D3/208
 D511,493 S * 11/2005 Luneau D13/107
 D517,799 S * 3/2006 Oas D3/203.2
 D537,071 S * 2/2007 Chen D14/215
 D543,690 S * 6/2007 Fishman D3/201
 D553,077 S * 10/2007 Kim D13/108
 7,347,325 B2 * 3/2008 O'Neill A45C 1/06
 206/38
 D574,145 S * 8/2008 Phillips D3/208
 D582,392 S * 12/2008 Pauschitz D14/215
 D606,078 S * 12/2009 Chen D14/480.6
 D674,775 S * 1/2013 Bolton D14/209.1
 D706,643 S * 6/2014 Akana D9/721
 D709,758 S * 7/2014 Burdock-Latter D9/418
 D712,279 S * 9/2014 Akana D9/721
 D722,264 S * 2/2015 Saideh D9/432
 D723,792 S * 3/2015 Anderson D3/201
 D726,154 S * 4/2015 Chang D14/215
 D726,687 S * 4/2015 Minarik D14/216
 D730,049 S * 5/2015 Miksovsky D3/274
 D731,781 S * 6/2015 Behar D3/201
 D734,022 S * 7/2015 Harper D3/201
 D753,725 S * 4/2016 Palmer, Jr. D14/496
 D772,572 S * 11/2016 Palmborg D3/294
 D775,960 S * 1/2017 Erdwiens D9/521
 D778,156 S * 2/2017 Follett D9/432
 D791,479 S * 7/2017 Son D3/298
 D796,968 S * 9/2017 Akana D9/721
 D799,316 S * 10/2017 Thain D9/415
 D801,314 S * 10/2017 Akana D14/223
 D803,184 S * 11/2017 Loh Jun Kern D14/205
 D806,388 S * 1/2018 Akana D3/294

D808,363 S * 1/2018 Li D14/209.1
 D817,306 S * 5/2018 Jang D14/214
 D818,268 S * 5/2018 Akana D3/294
 D821,970 S * 7/2018 Loermann D13/107
 D822,374 S * 7/2018 Hung D3/201
 D823,894 S * 7/2018 Ullits D14/496
 D832,824 S * 11/2018 Kim D14/223
 D838,480 S * 1/2019 Son D3/294
 D841,580 S * 2/2019 Bao D13/108
 D846,264 S * 4/2019 Wu D3/201
 D847,794 S * 5/2019 Guo D14/223
 D848,982 S * 5/2019 Kim D14/223
 D853,116 S * 7/2019 Bergman D3/294
 D860,167 S * 9/2019 Zhu
 D864,110 S * 10/2019 Yoshimura D13/108
 D864,165 S * 10/2019 Roberts D14/223
 D864,169 S * 10/2019 Min D14/223
 D869,445 S * 12/2019 Hu D14/223
 D877,113 S * 3/2020 Jin D14/204
 D877,493 S * 3/2020 Zhang D3/215
 D878,048 S * 3/2020 Wang D3/294
 D881,572 S * 4/2020 Wang D3/294
 D882,262 S * 4/2020 Zhang D3/294
 D882,939 S * 5/2020 Hu D3/201
 D883,203 S * 5/2020 Zheng D13/108
 D886,454 S * 6/2020 Williamson D3/294
 D886,455 S * 6/2020 Williamson D3/294
 D890,138 S * 7/2020 Peng D14/223
 D890,724 S * 7/2020 Li D14/223
 D892,770 S * 8/2020 Gao D14/223
 D893,462 S * 8/2020 Liu D14/223
 D895,579 S * 9/2020 Yang D14/223
 D895,582 S * 9/2020 Wu D14/223
 D896,206 S * 9/2020 Xu D14/223
 D904,755 S * 12/2020 Birger D3/201
 D905,018 S * 12/2020 Zhu D14/223
 D908,084 S * 1/2021 He D13/108
 2021/0014603 A1 * 1/2021 Wei G06F 3/044

* cited by examiner



9

FIG. 1

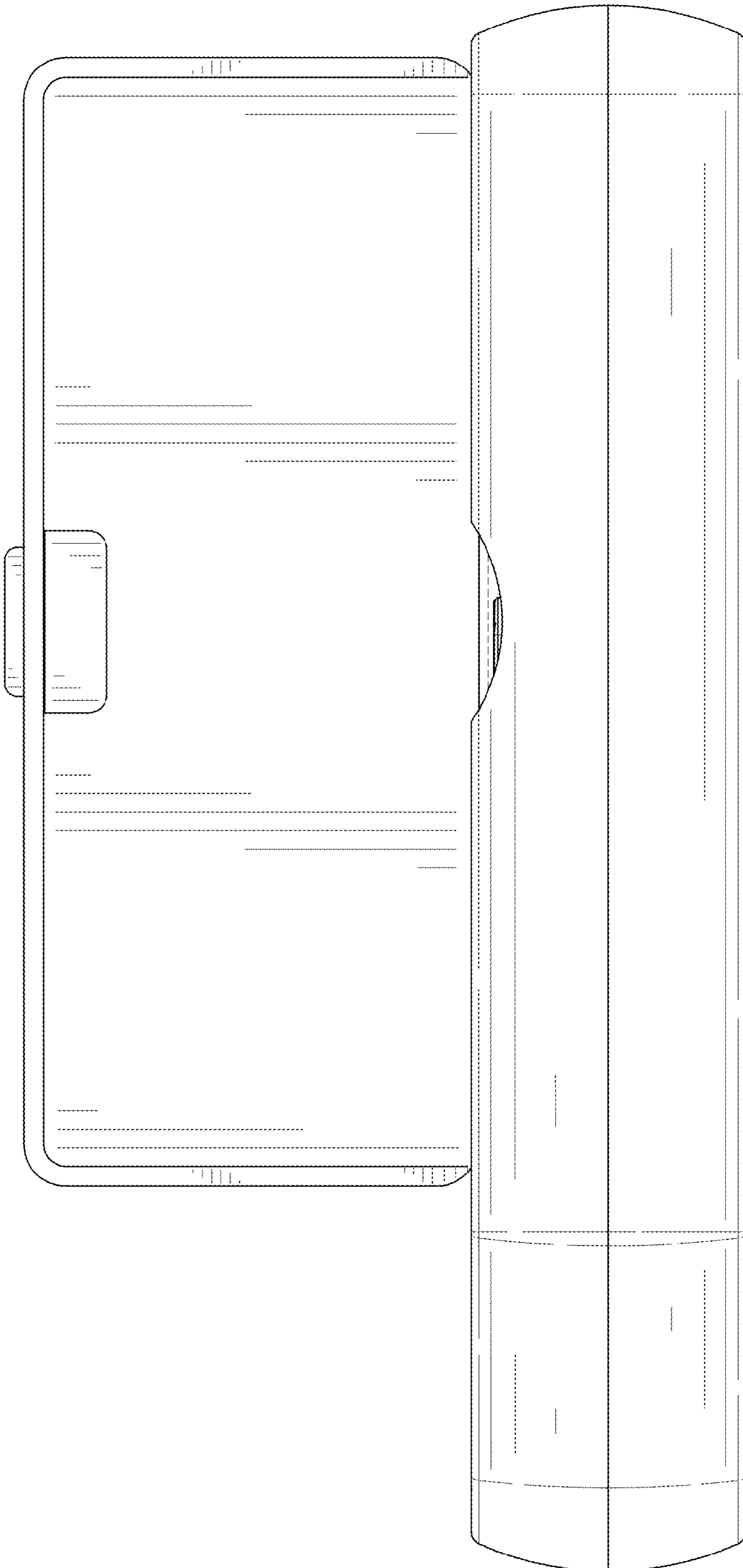


FIG. 2

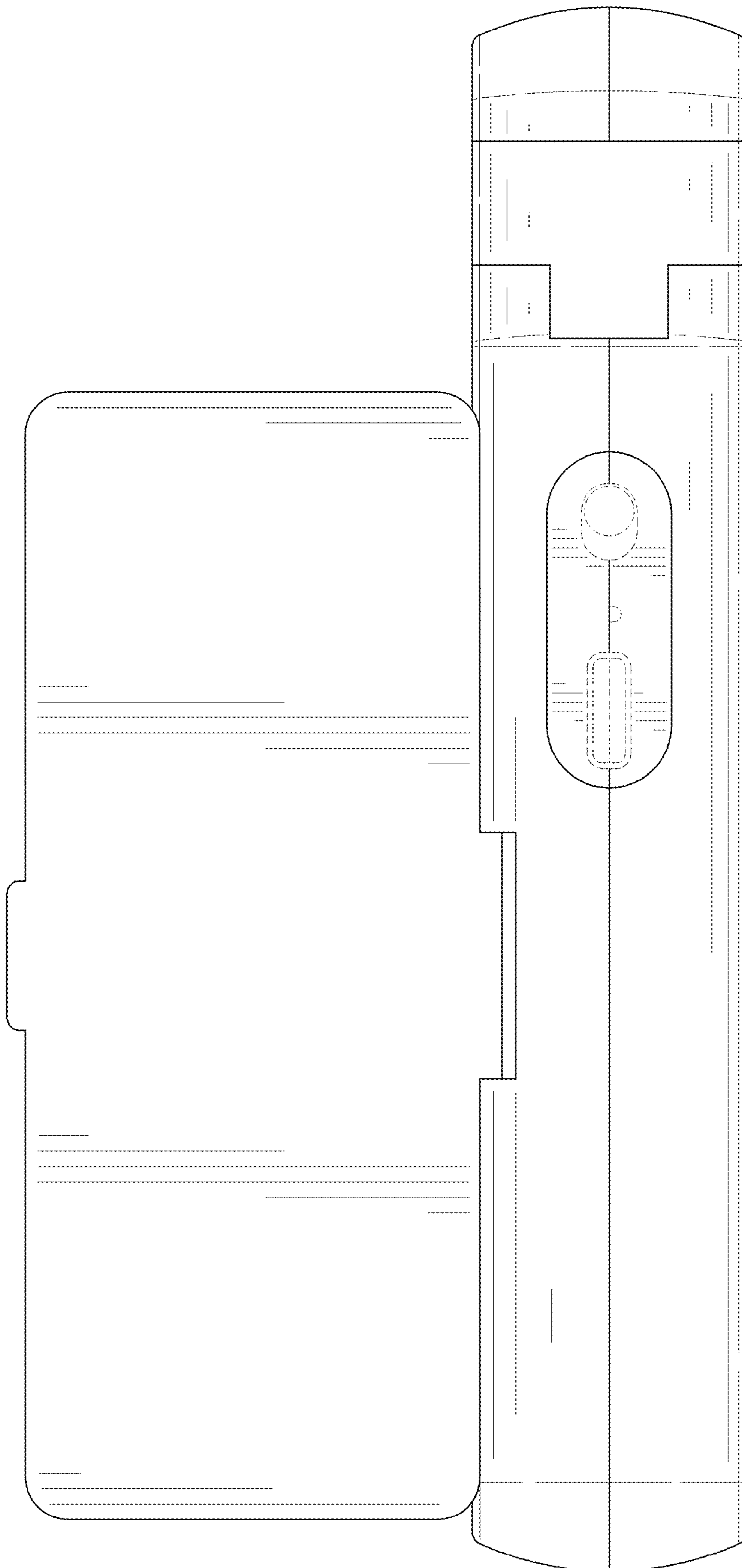


FIG. 3

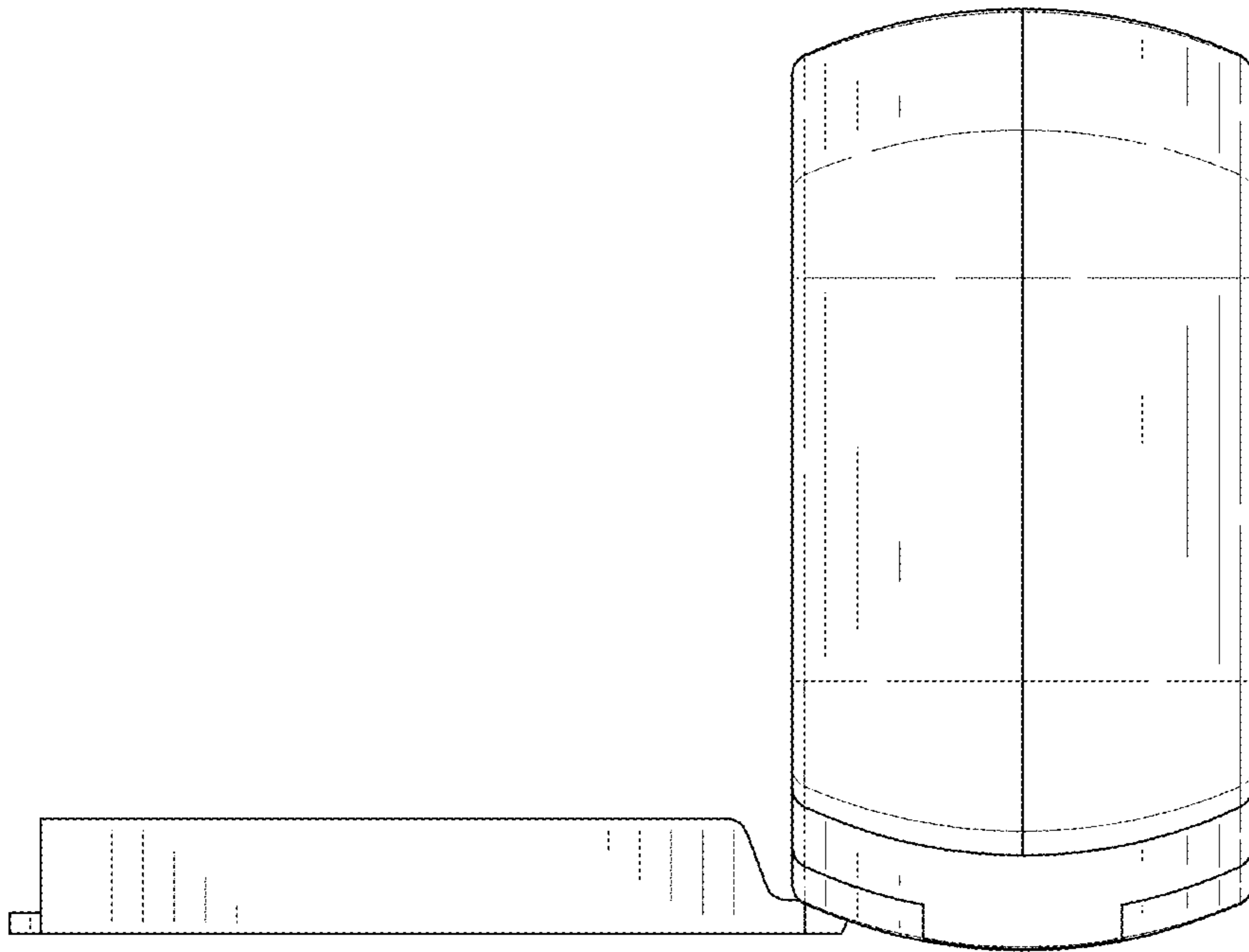


FIG. 4

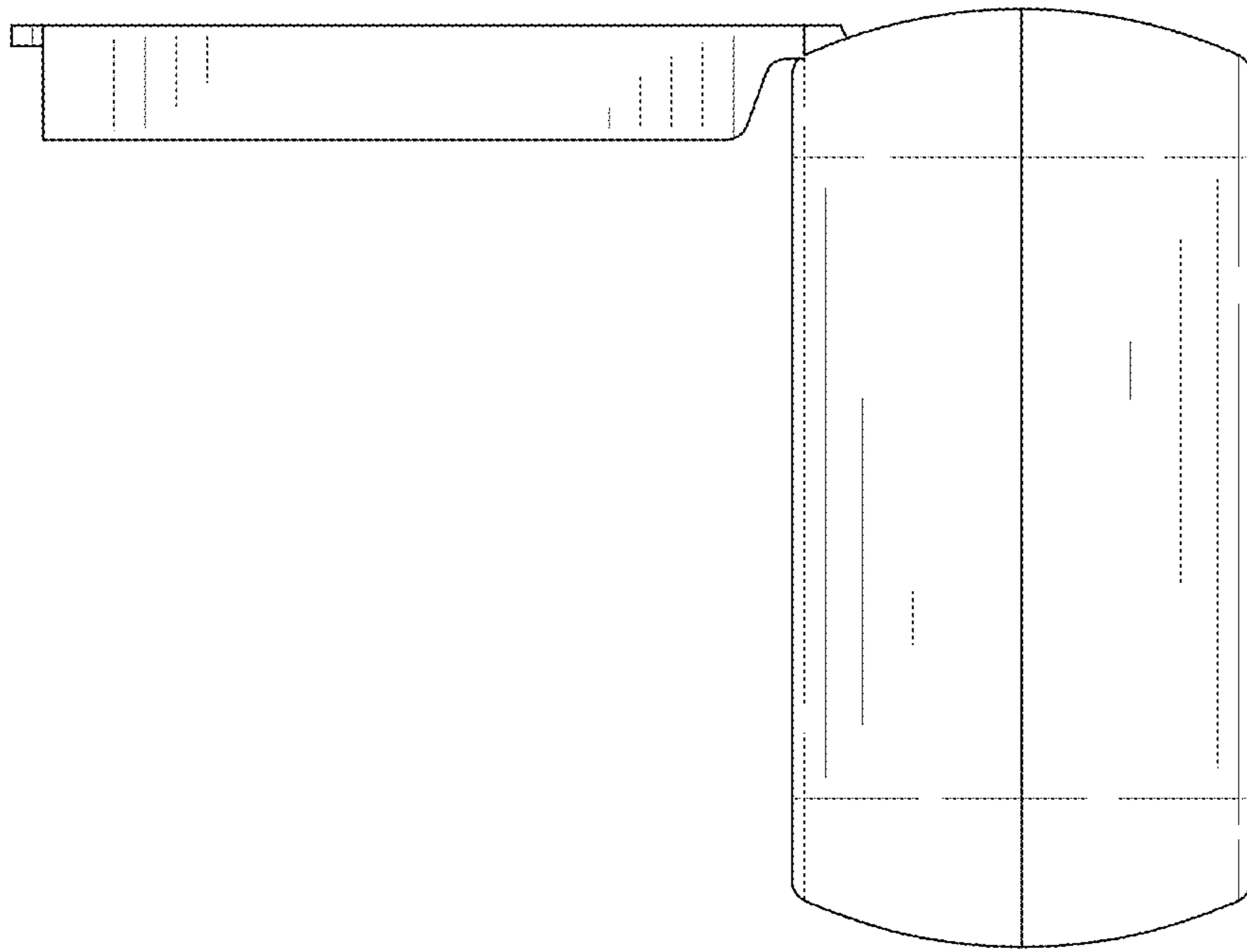


FIG. 5

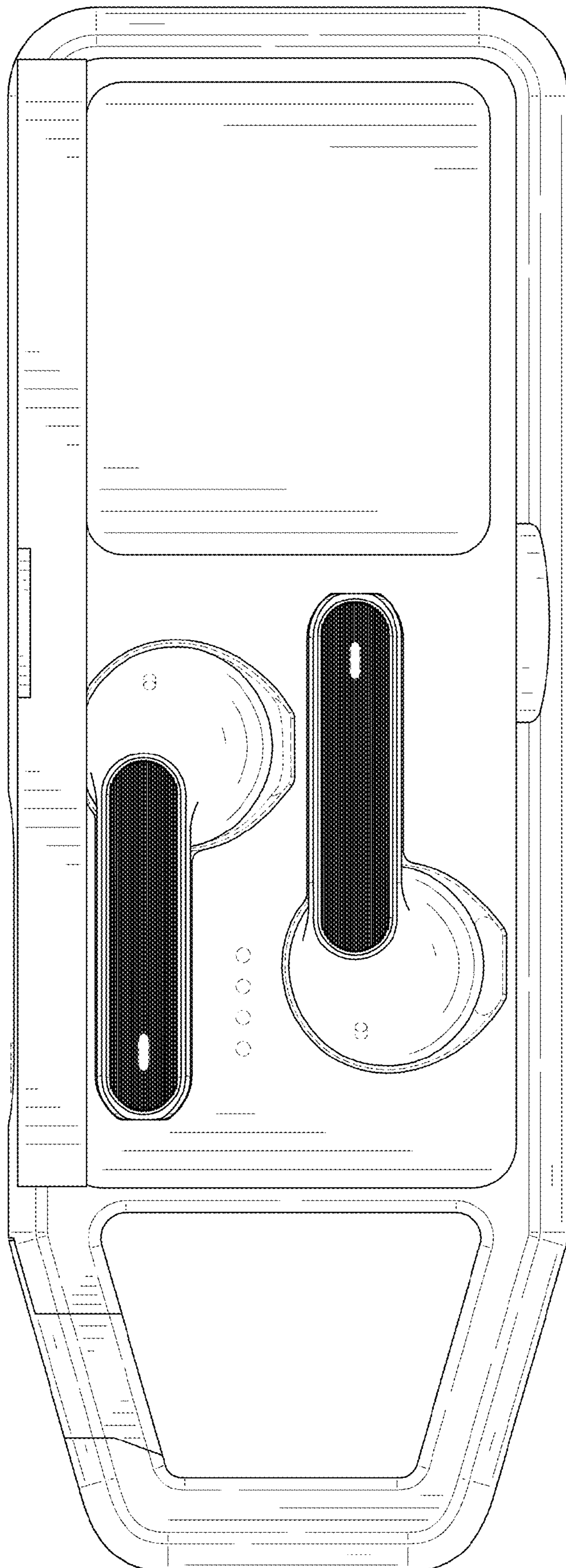


FIG. 6

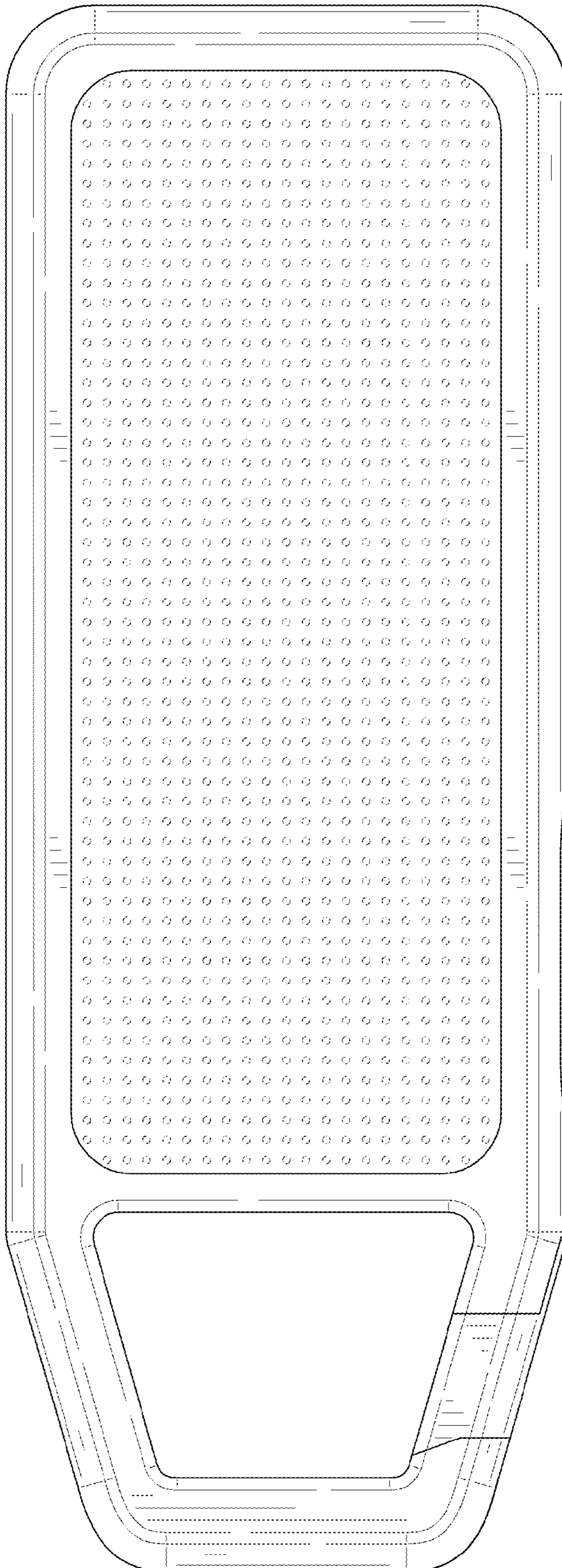


FIG. 7

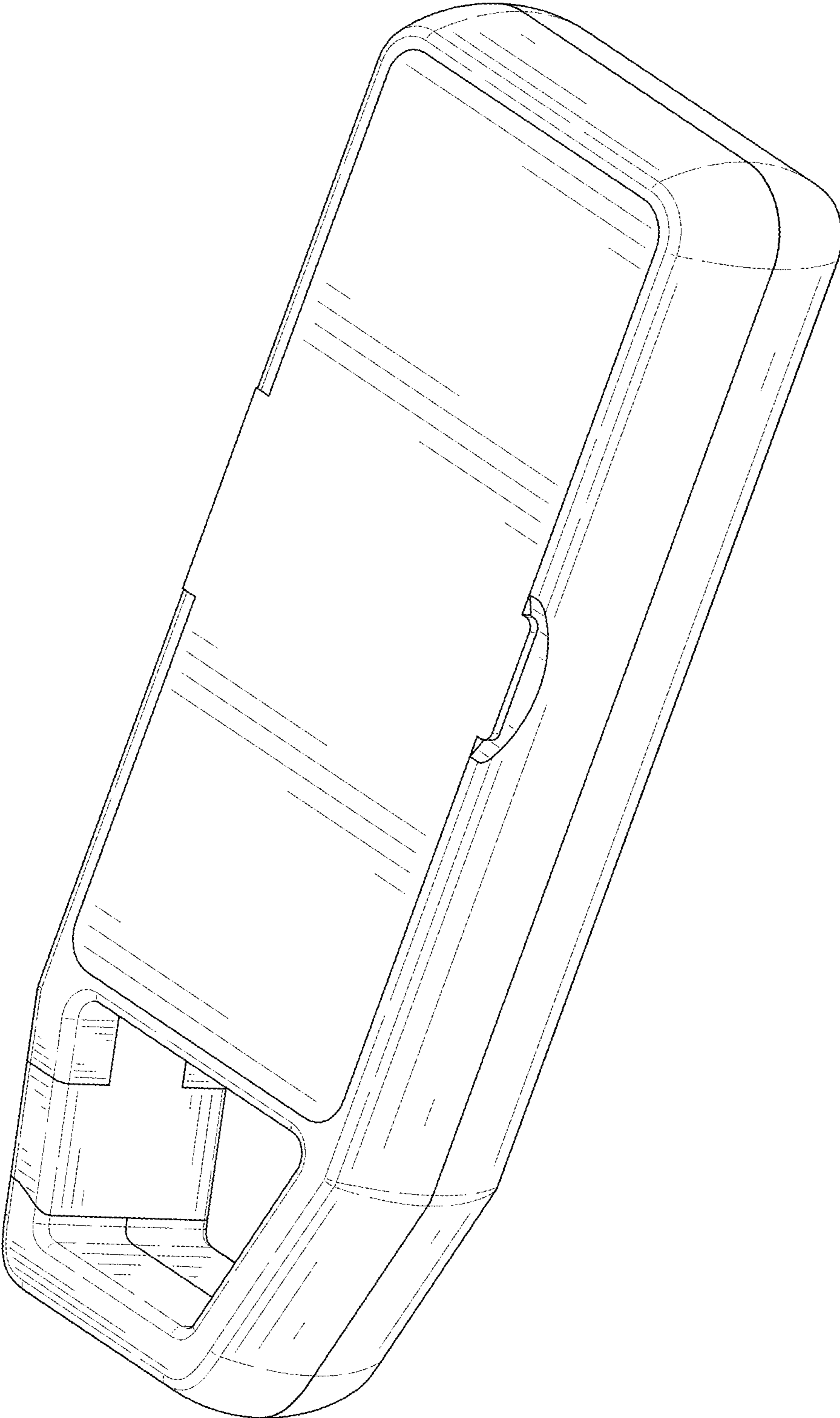


FIG. 8

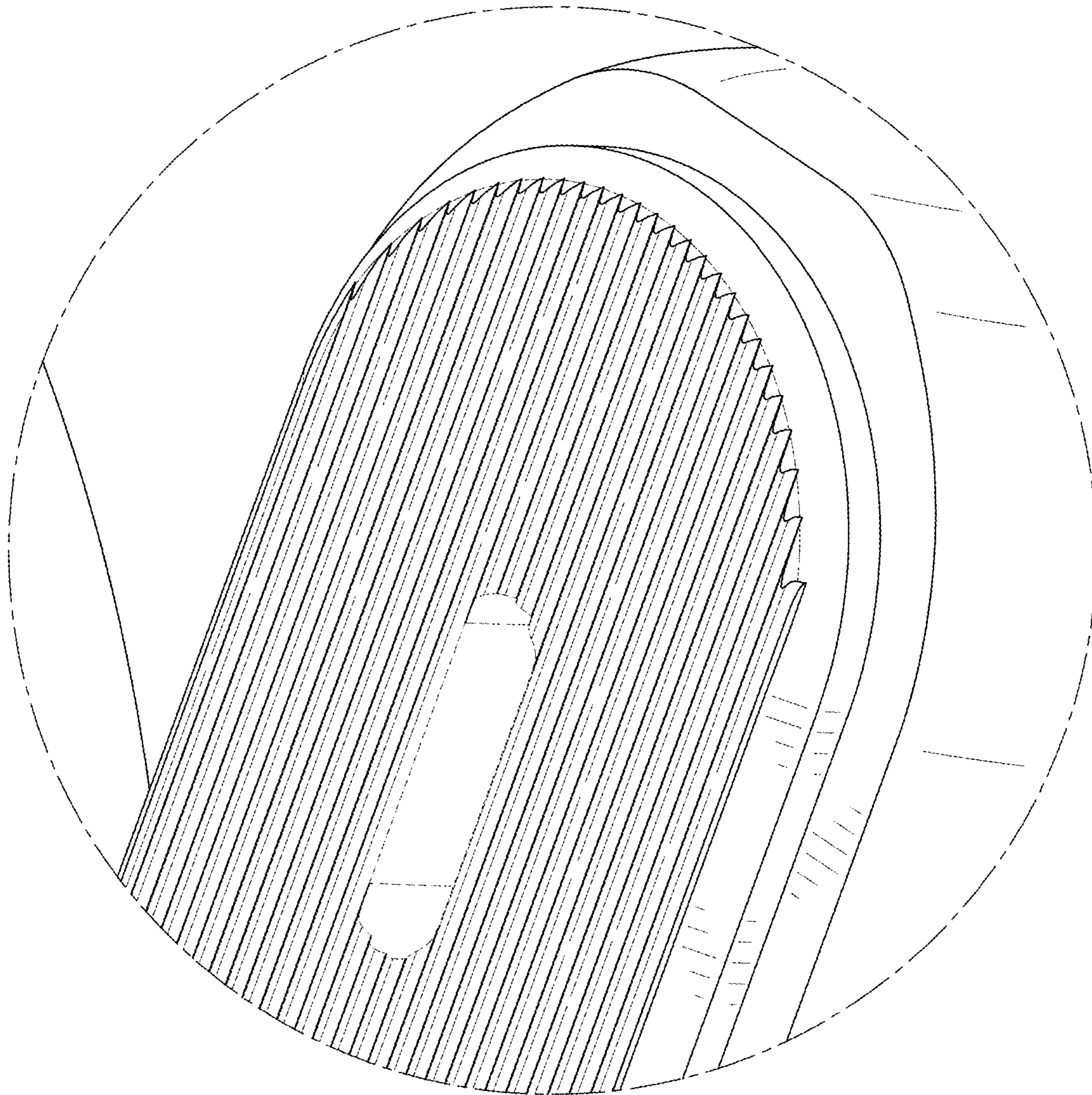


FIG. 9