



US00D920956S

(12) **United States Design Patent**  
**Levine et al.**

(10) **Patent No.:** **US D920,956 S**  
(45) **Date of Patent:** **\*\* \*Jun. 1, 2021**

- (54) **HEADSET**
- (71) Applicant: **New Audio LLC**, New York, NY (US)
- (72) Inventors: **Jonathan E. Levine**, New York, NY (US); **Thomas C. Wilson**, Brooklyn, NY (US); **Marten Wallby**, Malmo (SE)
- (73) Assignee: **New Audio, LLC**, New York, NY (US)
- (\*) Notice: This patent is subject to a terminal disclaimer.
- (\*\*) Term: **15 Years**
- (21) Appl. No.: **29/694,702**
- (22) Filed: **Jun. 12, 2019**
- (51) **LOC (13) Cl.** ..... **14-01**
- (52) **U.S. Cl.**  
USPC ..... **D14/206**
- (58) **Field of Classification Search**  
USPC ..... D14/206, 205, 188, 192, 218, 215, 216, D14/226; D29/112; 2/209; 381/380, 381/381, 374; 455/90.3, 575.1, 569.1  
CPC ..... H04R 25/00; H04R 25/02; H04R 1/1016; H04R 1/1066; H04R 5/033; H04R 5/0335; H04R 1/1091; H04R 1/1041; H04R 1/1075; H04R 1/083; A61F 11/14  
See application file for complete search history.

- D420,356 S \* 2/2000 Suzuki ..... D14/205
- 6,081,604 A \* 6/2000 Hikichi ..... H04R 1/083  
381/124
- D435,249 S \* 12/2000 Yasutomi ..... D14/205
- 6,263,085 B1 \* 7/2001 Weffer ..... H04R 1/1075  
379/430
- 6,980,165 B2 12/2005 Yuassa et al.
- D514,087 S \* 1/2006 Wilson ..... D14/206
- D567,215 S \* 4/2008 Lee ..... D14/205
- 7,388,960 B2 \* 6/2008 Kuo ..... H04R 1/1041  
379/430
- D642,554 S \* 8/2011 Schaal ..... D14/205
- D662,080 S \* 6/2012 Carr ..... D14/205
- 8,325,962 B2 12/2012 Ishida et al.
- 8,737,668 B1 5/2014 Blair et al.
- D727,280 S 4/2015 Levine
- D727,281 S 4/2015 Levine
- D728,512 S \* 5/2015 Nakagawa ..... D14/205
- D736,174 S 8/2015 Levine

(Continued)

**FOREIGN PATENT DOCUMENTS**

- JP 2013078014 A 4/2013
- JP 2015026948 A 2/2015
- JP D1666731 \* 8/2020

*Primary Examiner* — Paula Allen Greene  
(74) *Attorney, Agent, or Firm* — Holzer Patel Drennan

(57) **CLAIM**

The ornamental design for headset, as shown and described.

**DESCRIPTION**

FIG. 1 is a perspective view of a headset showing our new design, as viewed from the top and front; FIG. 2 is a front elevational view thereof; FIG. 3 is a back elevational view thereof; FIG. 4 is a first side elevational view thereof; FIG. 5 is a second side elevational view thereof; FIG. 6 is a top plan view thereof; and, FIG. 7 is a bottom plan view thereof.

**1 Claim, 5 Drawing Sheets**

(56) **References Cited**

**U.S. PATENT DOCUMENTS**

- 3,797,045 A \* 3/1974 Aho ..... A61F 11/14  
2/209
- 3,922,725 A 12/1975 Csiki
- D250,761 S \* 1/1979 Vong ..... D10/38
- 5,035,005 A 7/1991 Hung
- D345,163 S \* 3/1994 Yamatogi ..... D14/205
- 5,438,626 A 8/1995 Neuman et al.
- D410,466 S \* 6/1999 Mouri ..... D14/205



(56)

References Cited

U.S. PATENT DOCUMENTS

D736,175 S 8/2015 Levine  
 D746,790 S \* 1/2016 Strasberg ..... D14/205  
 D762,190 S 7/2016 Levine  
 D762,191 S 7/2016 Levine  
 D772,841 S \* 11/2016 Levine ..... D14/205  
 D781,265 S \* 3/2017 Levine ..... D14/205  
 D781,814 S \* 3/2017 Levine ..... D14/205  
 9,729,954 B2 8/2017 Levine et al.  
 D805,056 S \* 12/2017 Levine ..... D14/205  
 D812,588 S \* 3/2018 Levine ..... D14/205  
 D813,194 S \* 3/2018 Loh ..... D14/205  
 D832,811 S 11/2018 Levine et al.  
 D832,813 S \* 11/2018 Levine ..... D14/205  
 D851,627 S \* 6/2019 ter Laag ..... D14/205  
 D852,166 S 6/2019 Levine  
 10,327,057 B2 6/2019 Levine  
 D857,654 S \* 8/2019 Levine ..... D14/205

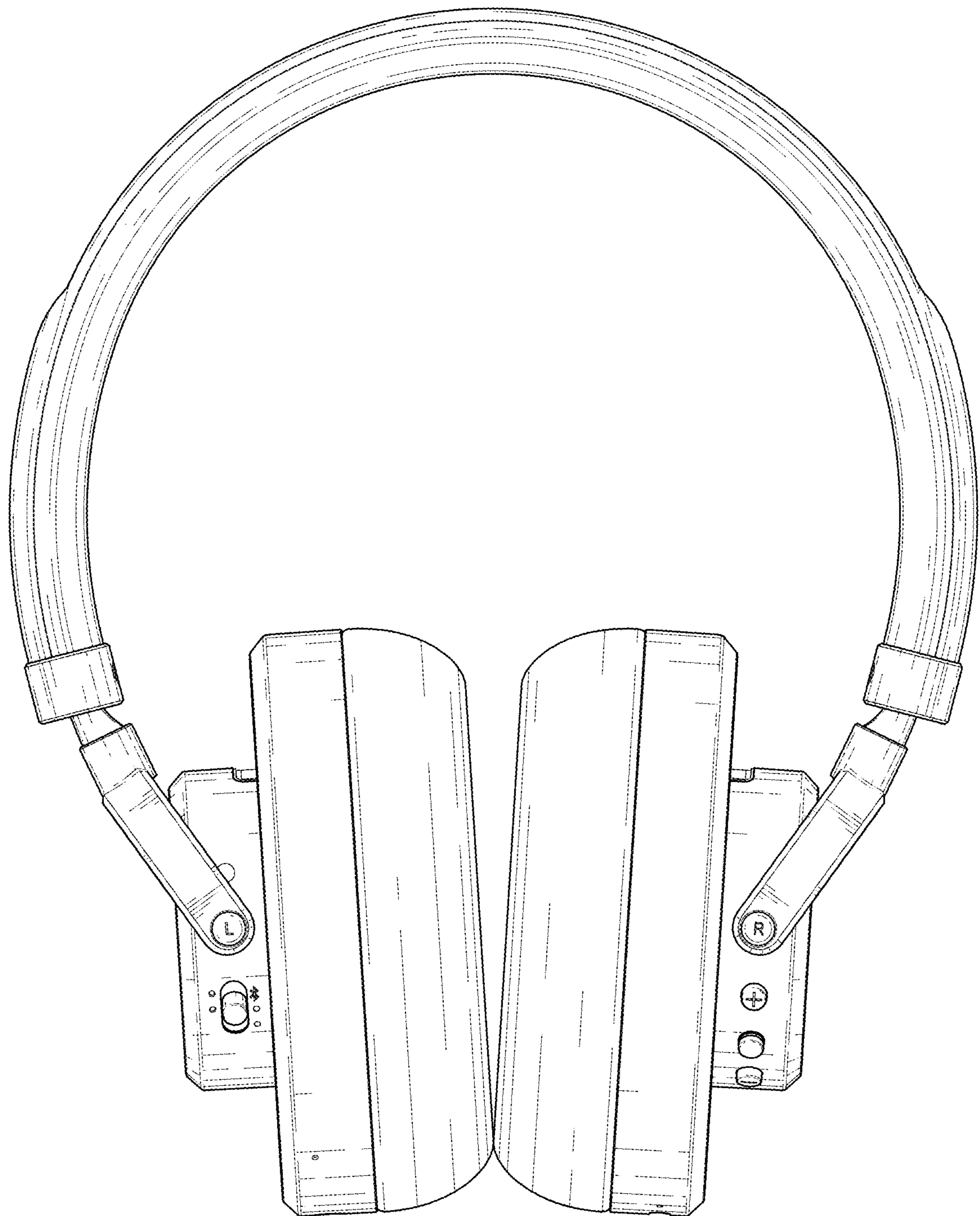
D859,354 S \* 9/2019 Xia ..... D14/205  
 D865,706 S \* 11/2019 Li ..... D14/205  
 D878,329 S \* 3/2020 Levine ..... D14/205  
 2003/0210801 A1 11/2003 Naksen et al.  
 2004/0216946 A1 11/2004 Lenhard-Backhaus  
 2005/0053255 A1 3/2005 Harris et al.  
 2005/0238189 A1 \* 10/2005 Tsai ..... H04R 1/1075  
 381/309  
 2005/0266875 A1 12/2005 Yegin et al.  
 2008/0056525 A1 3/2008 Fujiwara et al.  
 2008/0175406 A1 7/2008 Smith  
 2009/0003616 A1 1/2009 Kleinshmidt et al.  
 2010/0177907 A1 7/2010 Morisawa  
 2012/0093334 A1 4/2012 Schreuder  
 2014/0105414 A1 4/2014 Rois et al.  
 2016/0079660 A1 3/2016 Bevelacqua  
 2016/0205461 A1 7/2016 Fernandez et al.  
 2017/0295420 A1 10/2017 Yeung et al.  
 2018/0020277 A1 1/2018 Briggs et al.

\* cited by examiner

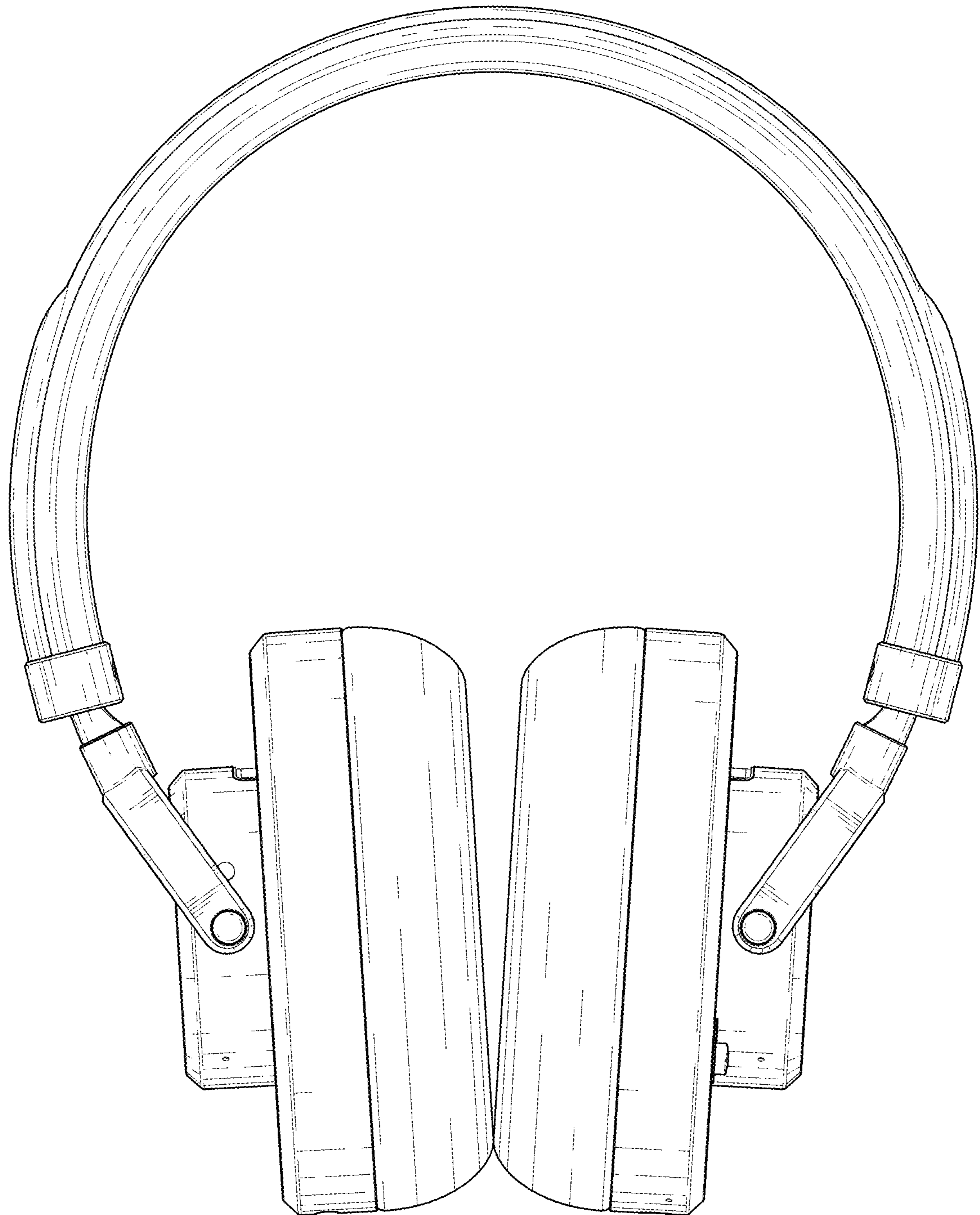


*Fig. 1*

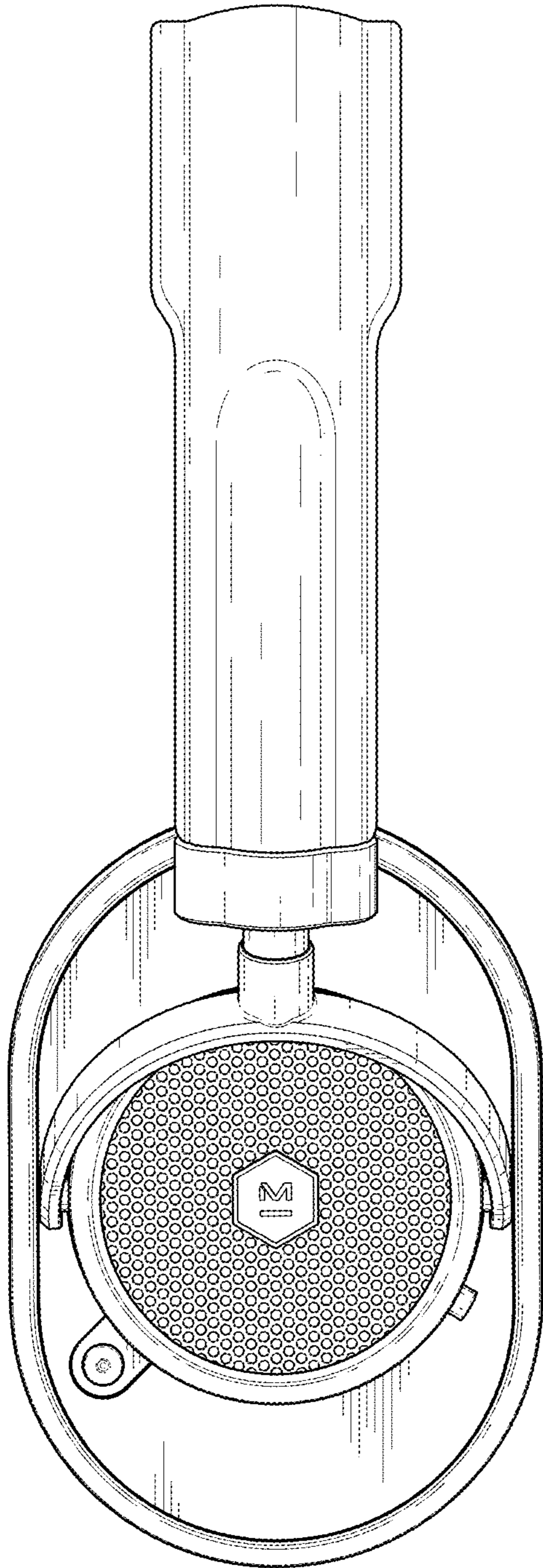




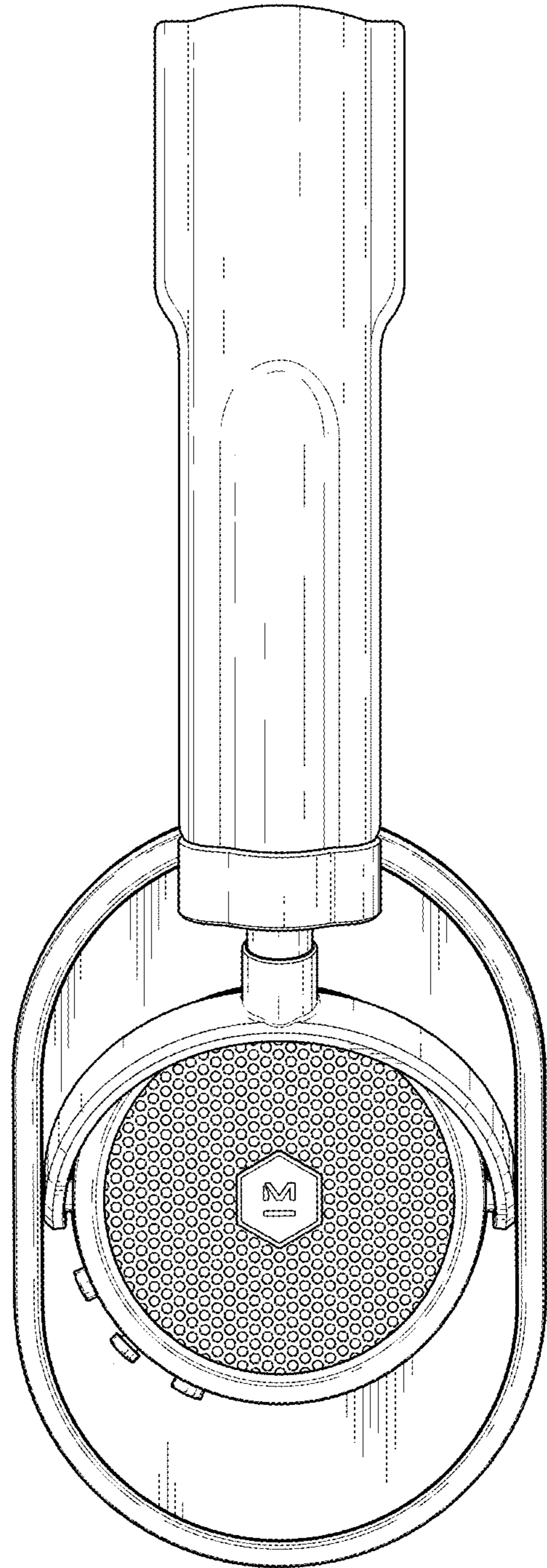
*Fig. 2*



*Fig. 3*

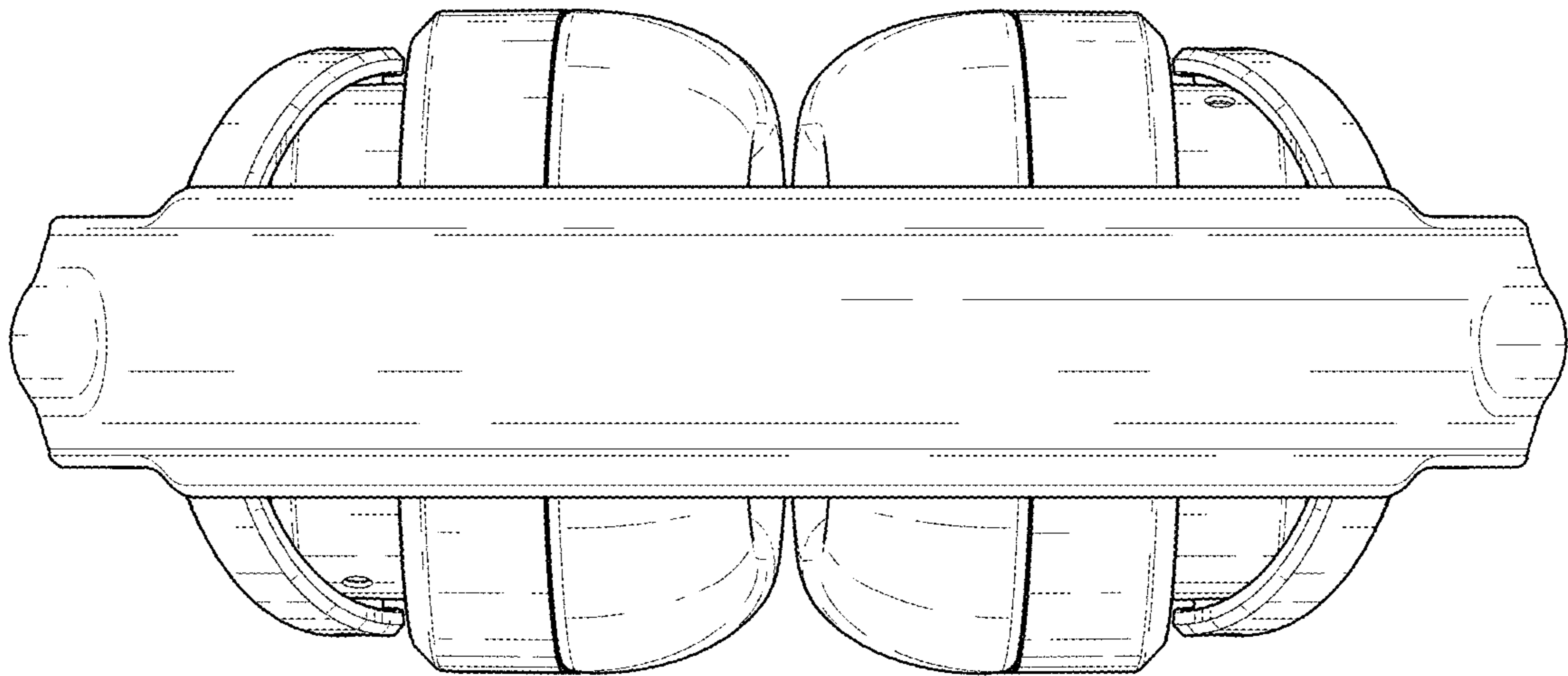


*Fig. 4*

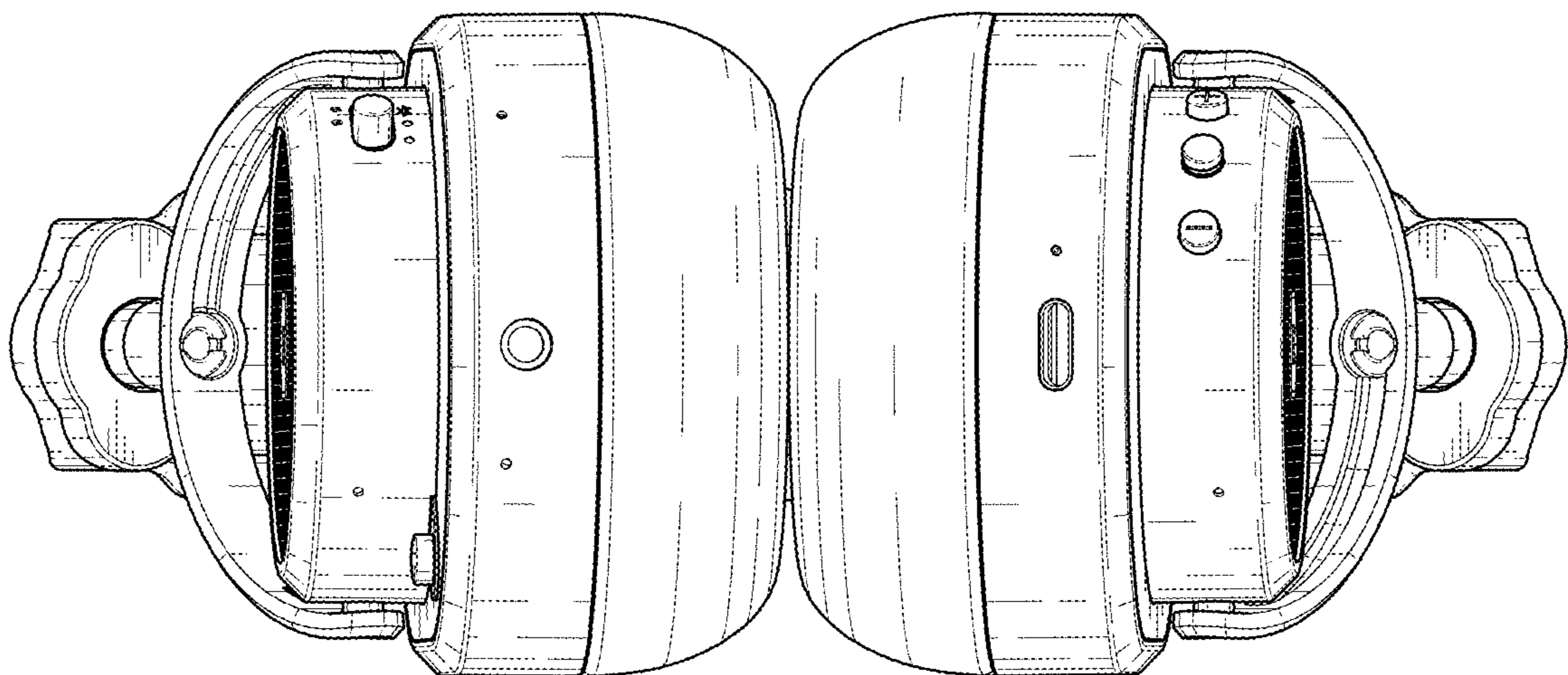


*Fig. 5*





*Fig. 6*



*Fig. 7*