

US00D920954S

(12) **United States Design Patent**
Tong

(10) **Patent No.:** **US D920,954 S**

(45) **Date of Patent:** **** Jun. 1, 2021**

(54) **HEADPHONE**

(71) Applicant: **Razer (Asia-Pacific) Pte. Ltd.**,
Singapore (SG)

(72) Inventor: **Ien Yu Tong**, Singapore (SG)

(73) Assignee: **RAZER (ASIA-PACIFIC) PTE. LTD.**,
Singapore (SG)

(**) Term: **15 Years**

(21) Appl. No.: **29/767,507**

(22) Filed: **Jan. 22, 2021**

Related U.S. Application Data

(62) Division of application No. 29/707,477, filed on Sep. 27, 2019, now Pat. No. Des. 914,635.

(51) **LOC (13) Cl.** **14-01**

(52) **U.S. Cl.**
USPC **D14/205; D14/207**

(58) **Field of Classification Search**
USPC D14/205, 207; D29/112; 2/209, 200.3;
D2/869, 872; D21/617, 655, 656;
D28/41; 381/380, 381; 455/90.3, 575.1,
455/569.1

CPC H04R 1/1066; H04R 1/1016; H04R 5/033;
H04R 5/0335; H04R 25/00; H04R 1/10;
H04R 1/02

See application file for complete search history.

(56) **References Cited**

U.S. PATENT DOCUMENTS

D155,702 S * 10/1949 Ganine D21/617
D166,603 S 4/1952 Hartman
D180,052 S 4/1957 Young
4,547,171 A * 10/1985 Horimoto A63H 3/02
446/370
D380,023 S * 6/1997 Sisler D21/617

6,212,282 B1 4/2001 Mershon
D482,393 S 11/2003 Hui
7,172,052 B2 2/2007 Lenhard-Backhaus
D633,471 S * 3/2011 Sugiyama D14/205
D643,065 S 8/2011 van der Lande
D657,007 S 4/2012 O'Leary
D717,764 S 11/2014 Lee et al.
D719,136 S 12/2014 Schaal et al.
D736,150 S 8/2015 Liu
D741,007 S * 10/2015 McNama D28/41
D757,679 S 5/2016 Yan et al.
D758,508 S 6/2016 Chuang
D795,837 S 8/2017 Cai
D801,948 S 11/2017 Picunko
D805,055 S 12/2017 Kelly et al.

(Continued)

FOREIGN PATENT DOCUMENTS

CN 306149355 * 9/2019
EM 004669943-0001 1/2018

(Continued)

Primary Examiner — Paula Allen Greene

(74) *Attorney, Agent, or Firm* — Polsinelli PC

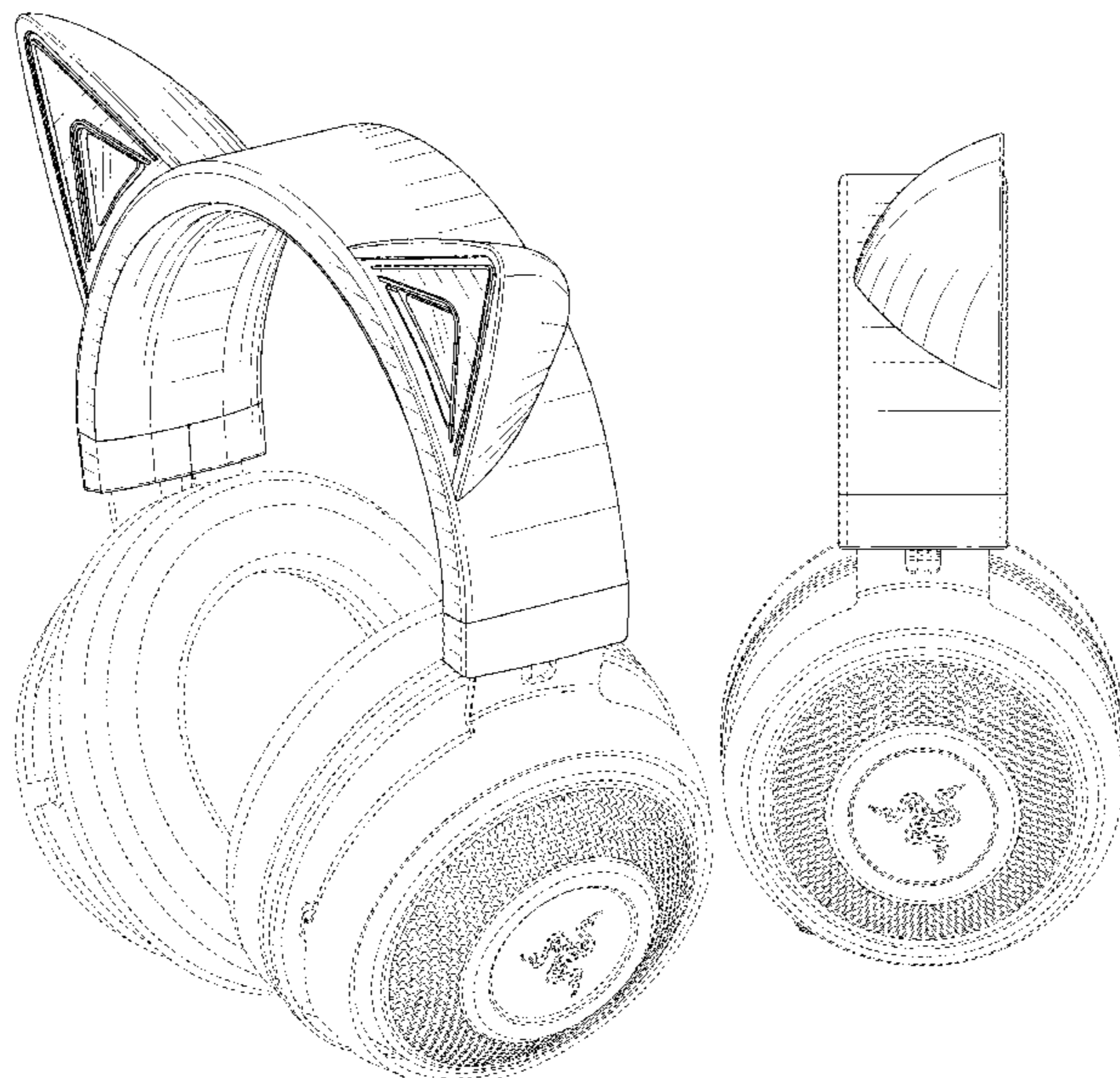
(57) **CLAIM**

I claim the ornamental design for a headphone, as shown and described.

DESCRIPTION

FIG. 1 is a perspective view of a headphone, showing my new design;
FIG. 2 is a front elevational view thereof;
FIG. 3 is a rear elevational view thereof;
FIG. 4 is a left side elevational view thereof;
FIG. 5 is a right side elevational view thereof;
FIG. 6 is a top plan view thereof; and,
FIG. 7 is a bottom plan view thereof.
Broken lines are for illustrating portions of the headphone which form no part of the claimed design.

1 Claim, 6 Drawing Sheets



(56)

References Cited

U.S. PATENT DOCUMENTS

D811,364 S 2/2018 Park
 D811,365 S 2/2018 Czaniecki
 D813,195 S 3/2018 Huang
 D815,600 S 4/2018 Matsuoka et al.
 D817,303 S 5/2018 Tragatschnig
 D824,461 S * 7/2018 Chinn D21/617
 10,021,487 B2 7/2018 Yan et al.
 D826,210 S 8/2018 Chong
 D828,326 S 9/2018 Ye
 D834,260 S 11/2018 Garcia Mansilla et al.
 D840,370 S 2/2019 Kelly et al.
 D851,624 S * 6/2019 Huang D14/205
 D851,625 S 6/2019 Mackiewicz et al.
 D851,627 S 6/2019 ter Laag et al.
 D852,777 S 7/2019 Park et al.
 D854,513 S 7/2019 MiyakeKota et al.
 D857,122 S * 8/2019 Buonocore D21/617
 D863,253 S 10/2019 He
 D864,963 S 10/2019 Luo
 D868,026 S 11/2019 Hardi et al.
 D869,433 S 12/2019 Huan
 D869,437 S 12/2019 Hu
 D871,367 S 12/2019 Zhijun et al.
 D879,066 S 3/2020 Chen
 D879,741 S 3/2020 Hu

D879,742 S 3/2020 Hu
 D883,071 S * 5/2020 Pratt D8/349
 D883,252 S 5/2020 Tong
 D884,669 S 5/2020 Zhong
 D887,391 S 6/2020 Chong
 D890,124 S 7/2020 ShiXing
 D892,080 S * 8/2020 Krakovskiy D14/205
 D896,203 S 9/2020 Tong
 D909,989 S * 2/2021 Lu D14/205
 2004/0204177 A1 10/2004 Pon
 2004/0213428 A1 10/2004 Lenhard-Backhaus
 2006/0027245 A1 * 2/2006 Spector A45D 8/36
 132/273
 2009/0032051 A1 * 2/2009 Defenbaugh A45D 8/20
 132/277
 2010/0177907 A1 7/2010 Morisawa
 2016/0088383 A1 3/2016 Yan et al.
 2016/0322756 A1 11/2016 Tsai et al.

FOREIGN PATENT DOCUMENTS

EM 006929642-0001 9/2019
 EM 007224365-0002 11/2019
 EM 007685730-0001 2/2020
 EM 008160840-0001 9/2020
 GB 6103038 * 10/2020

* cited by examiner

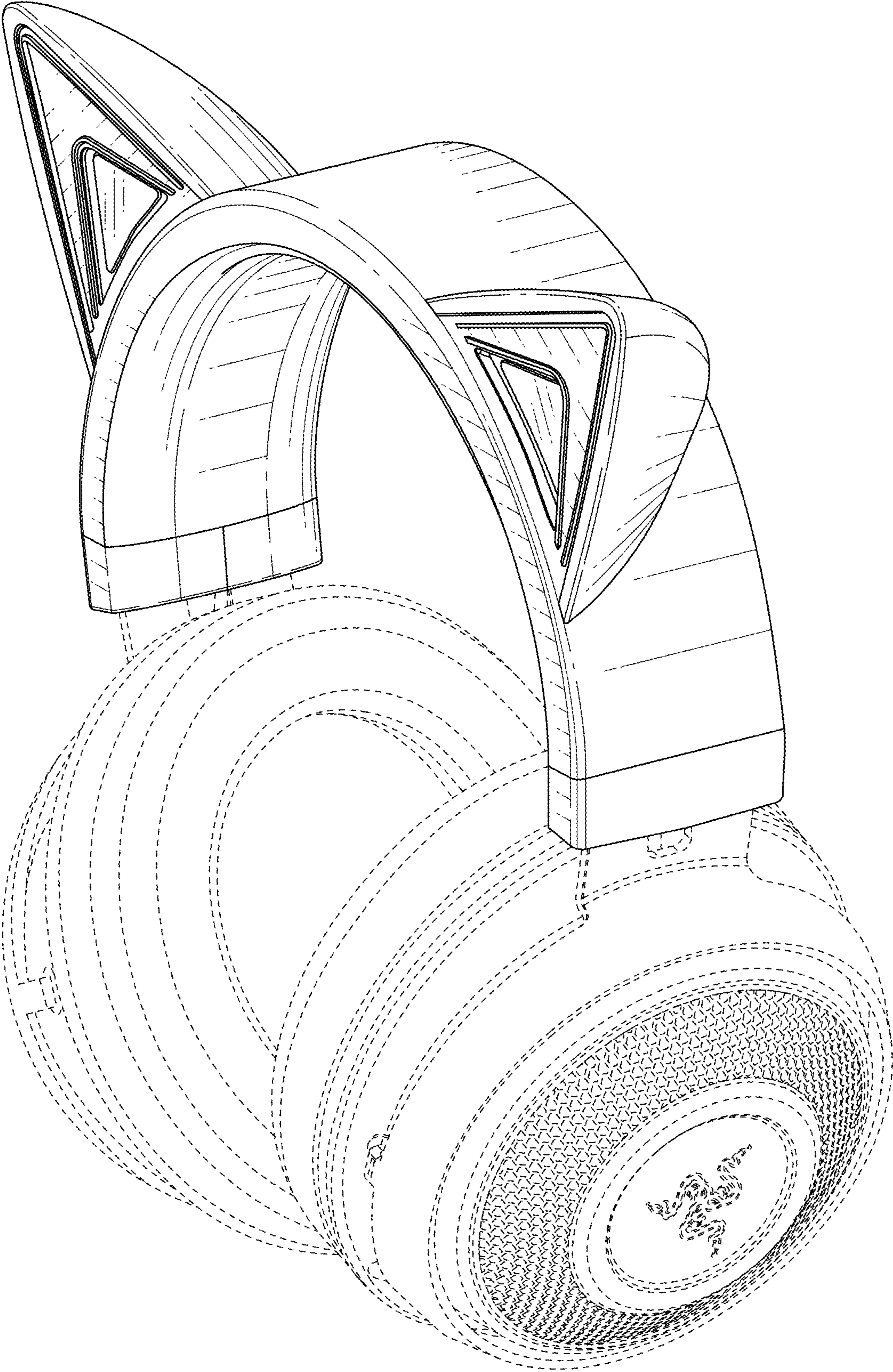


FIG. 1

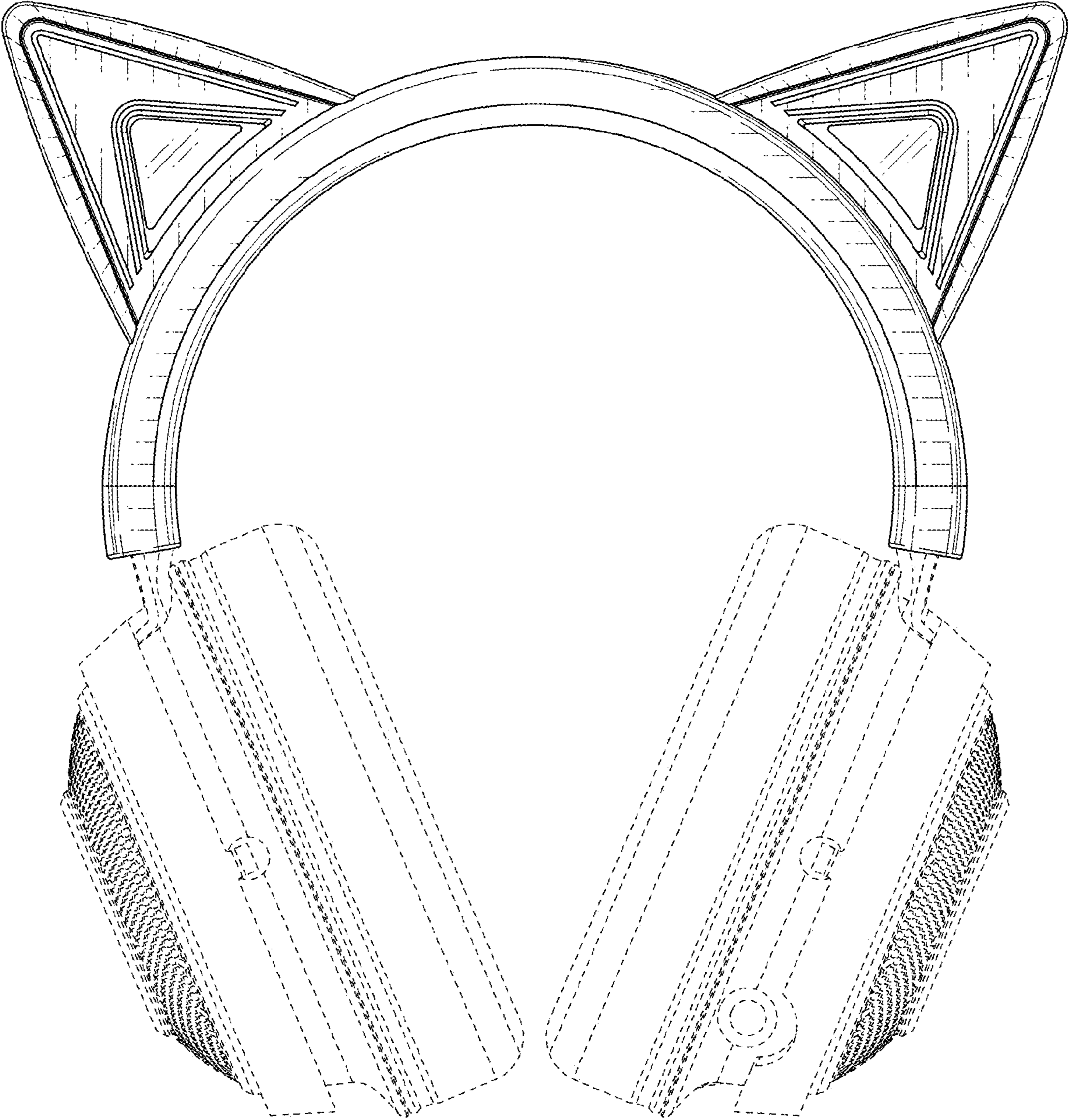


FIG. 2

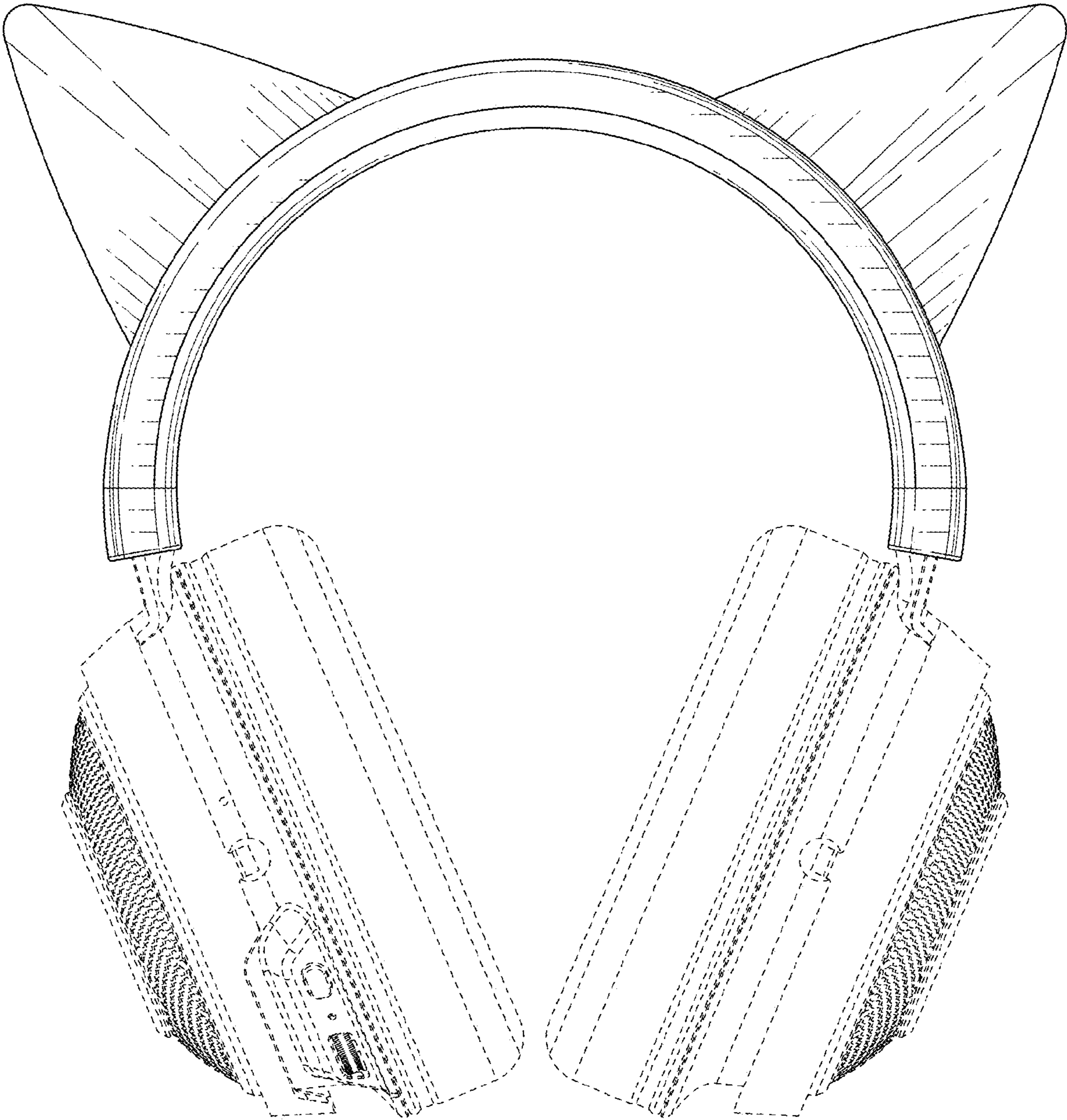


FIG. 3

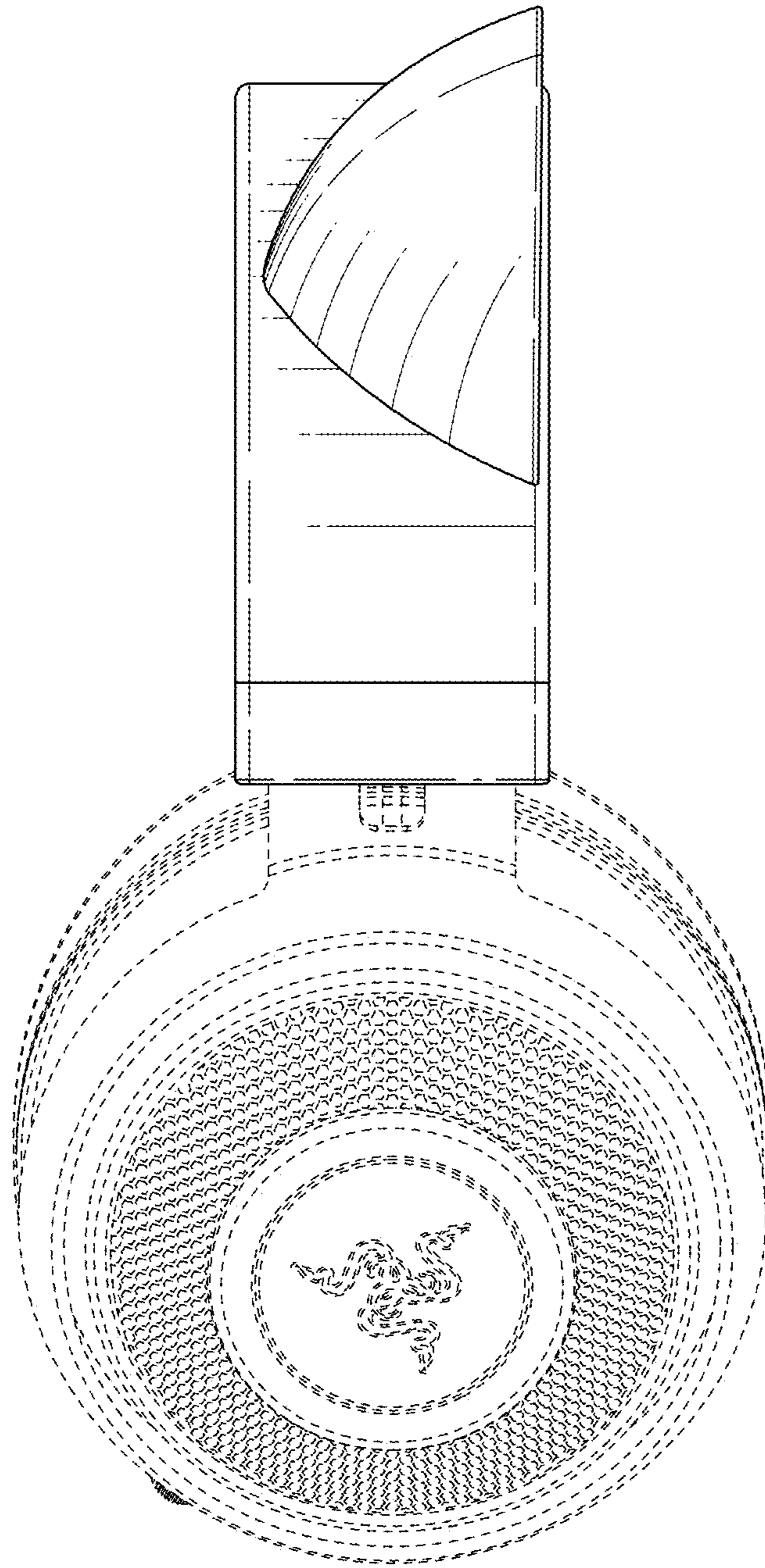


FIG. 4

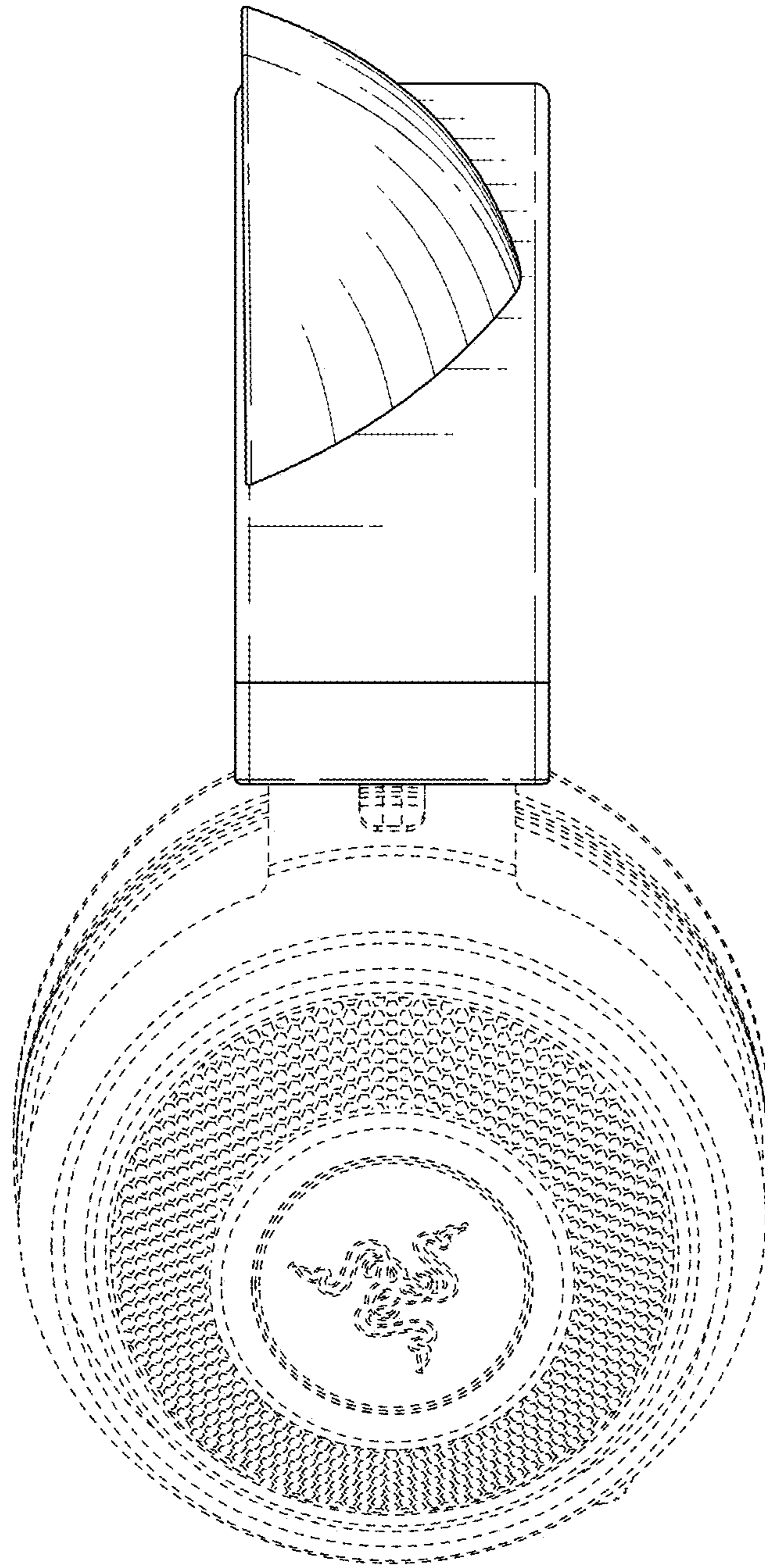


FIG. 5

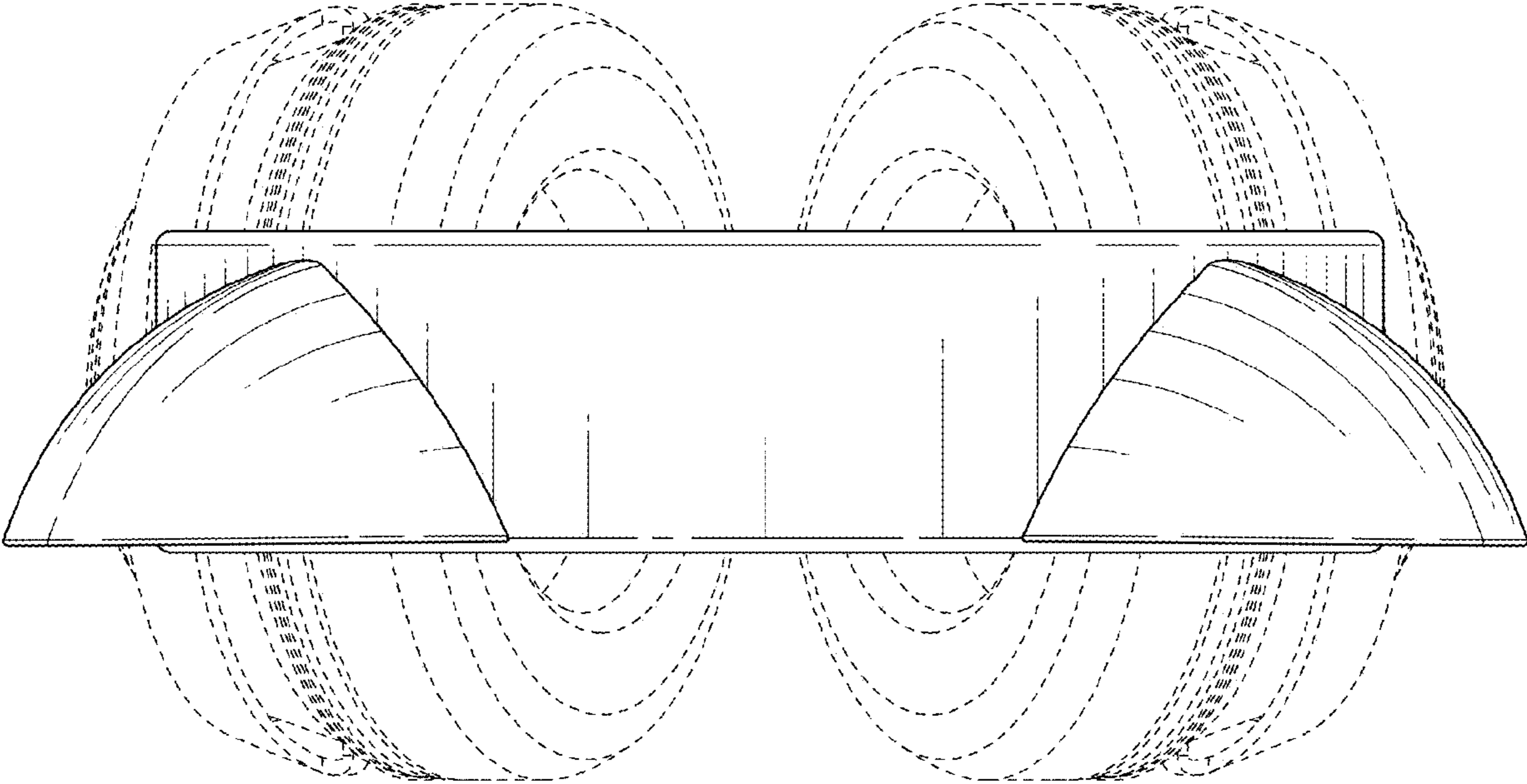


FIG. 6

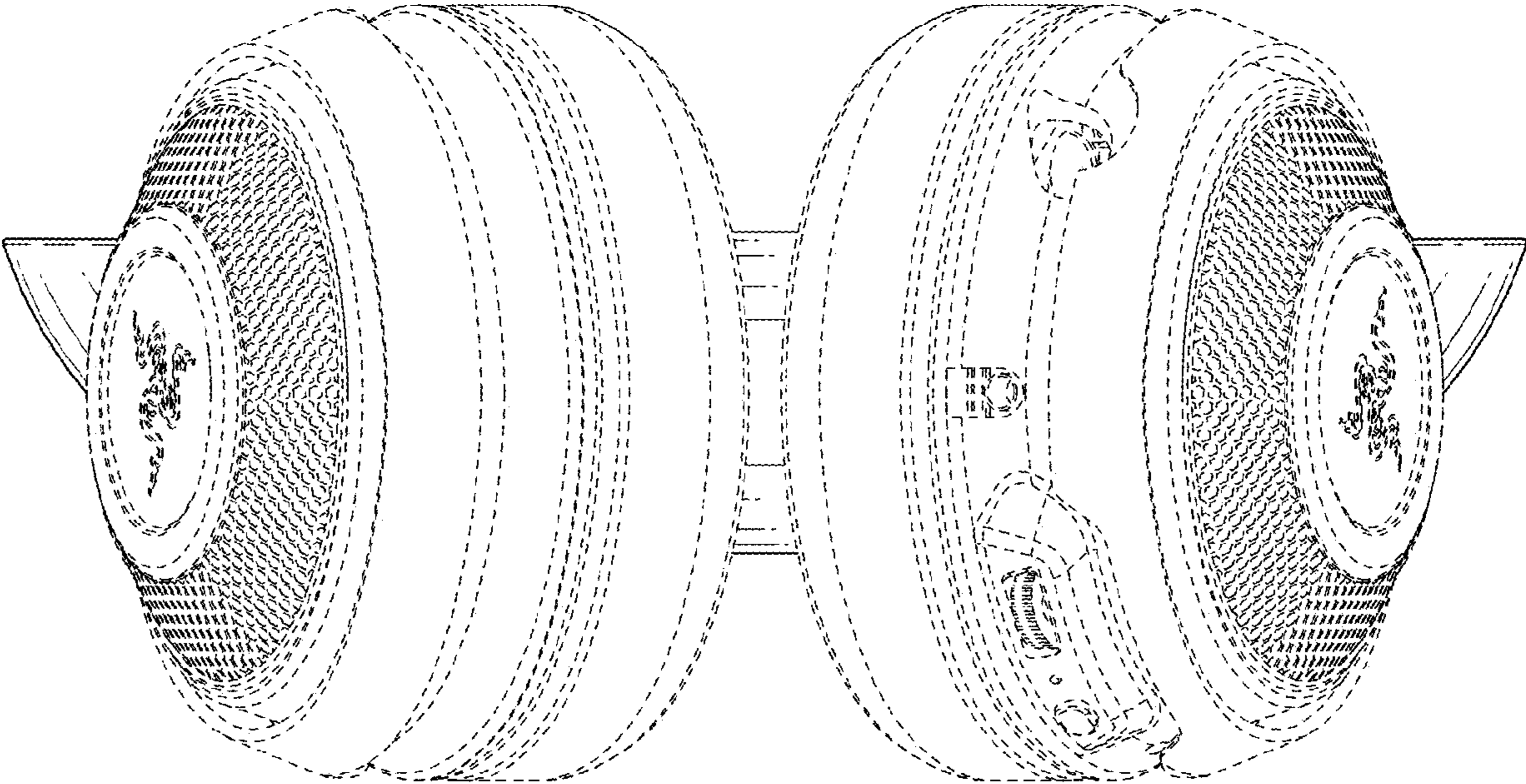


FIG. 7