



US00D920953S

(12) **United States Design Patent**  
**Tong**

(10) **Patent No.:** **US D920,953 S**

(45) **Date of Patent:** **\*\* Jun. 1, 2021**

(54) **HEADPHONE**

(71) Applicant: **RAZER (ASIA-PACIFIC) PTE. LTD.**,  
Singapore (SG)

(72) Inventor: **Ien Yu Tong**, Singapore (SG)

(73) Assignee: **RAZER (ASIA-PACIFIC) PTE. LTD.**,  
Singapore (SG)

(\*\*) Term: **15 Years**

(21) Appl. No.: **29/744,354**

(22) Filed: **Jul. 28, 2020**

**Related U.S. Application Data**

(62) Division of application No. 29/686,189, filed on Apr. 2, 2019, now Pat. No. Des. 896,203.

(51) **LOC (13) Cl.** ..... **14-01**

(52) **U.S. Cl.**  
USPC ..... **D14/205**

(58) **Field of Classification Search**  
USPC ..... D14/205, 206, 188, 192; D29/112;  
2/209; 381/380, 381, 374; 455/90.3,  
455/575.1, 569.1

CPC ..... H04R 25/00; H04R 25/02; H04R 1/10;  
H04R 1/1066; H04R 1/1016; H04R  
5/033; H04R 5/0335; H04R 1/1008

See application file for complete search history.

(56) **References Cited**

**U.S. PATENT DOCUMENTS**

2,485,405 A	10/1949	Benjamin et al.
2,910,539 A	10/1959	Hartsfield
3,459,902 A	8/1969	Warning
3,562,446 A	2/1971	Wolf
3,781,492 A	12/1973	Gregg et al.
D233,444 S	10/1974	Christian
4,420,657 A	12/1983	Larkin
D337,116 S	7/1993	Hattori

D366,045 S	1/1996	Hirschhorn	
D385,885 S	11/1997	Liao	
5,793,878 A	8/1998	Chang	
D420,356 S *	2/2000	Suzuki	D14/205
6,081,604 A *	6/2000	Hikichi	H04R 1/083 381/124

(Continued)

**FOREIGN PATENT DOCUMENTS**

EM	006929642-0001	*	4/2019
EM	006929642-0004	*	4/2019

(Continued)

*Primary Examiner* — Paula Allen Greene

(74) *Attorney, Agent, or Firm* — Polsinelli PC

(57) **CLAIM**

I claim the ornamental design for a headphone, as shown and described.

**DESCRIPTION**

FIG. 1 is a perspective view of a first embodiment of a headphone;

FIG. 2 is a front elevational view thereof;

FIG. 3 is a rear elevational view thereof;

FIG. 4 is a right side elevational view thereof;

FIG. 5 is a left side elevational view thereof;

FIG. 6 is a top plan view thereof; and

FIG. 7 is a bottom plan view thereof.

FIG. 8 is a perspective view of a second embodiment of a headphone;

FIG. 9 is a front elevational view thereof;

FIG. 10 is a rear elevational view thereof;

FIG. 11 is a right side elevational view thereof;

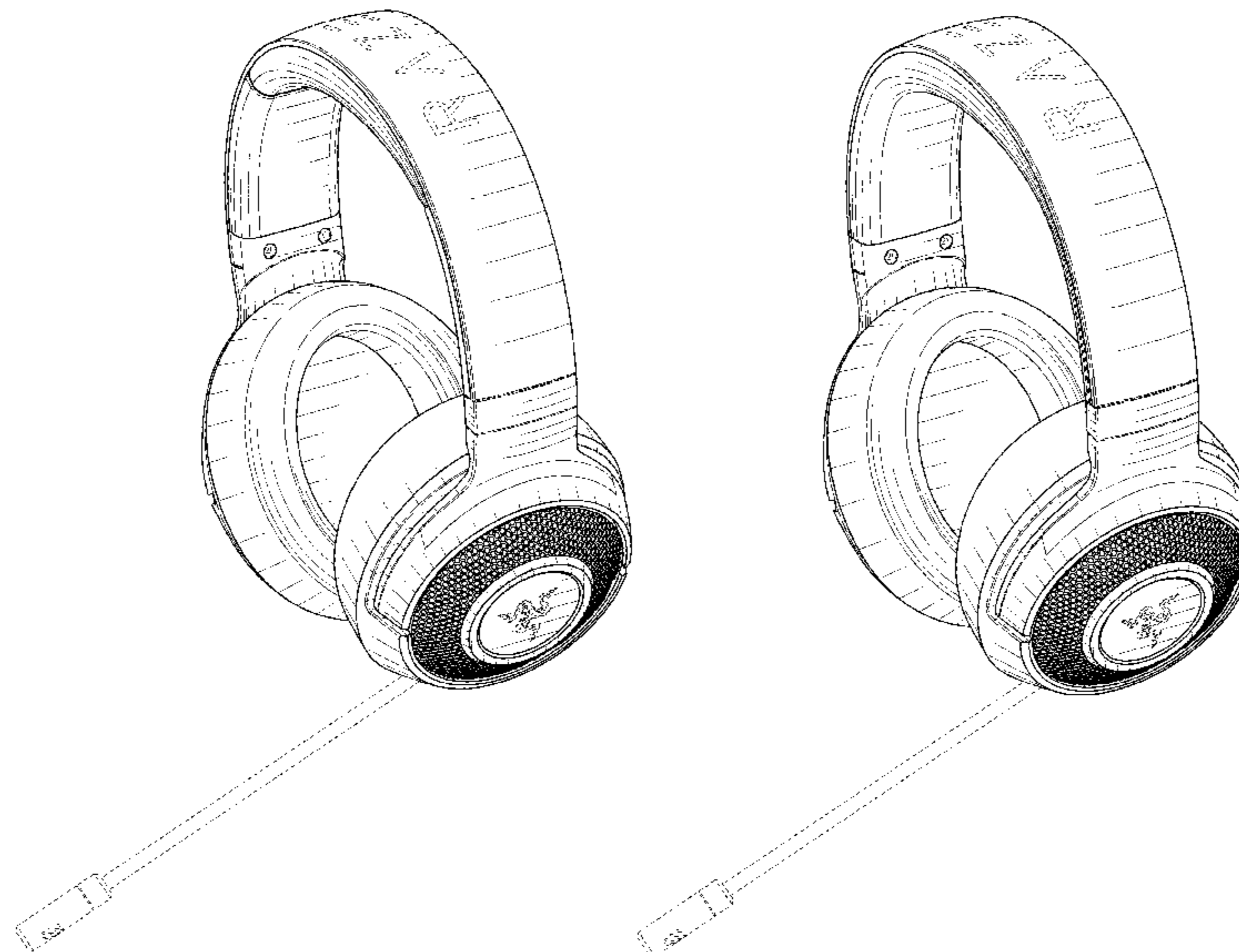
FIG. 12 is a left side elevational view thereof;

FIG. 13 is a top plan view thereof; and,

FIG. 14 is a bottom plan view thereof.

Broken lines are for illustrating portions of the headphone which form no part of the claimed design.

**1 Claim, 14 Drawing Sheets**



(56)

References Cited

U.S. PATENT DOCUMENTS

D467,580 S \* 12/2002 Mori ..... D14/223  
 6,560,346 B2 5/2003 Ohta et al.  
 D479,227 S 9/2003 Marshall  
 D481,375 S 10/2003 Suzuki  
 D518,479 S 4/2006 Skulley  
 7,050,597 B2 5/2006 Akino  
 7,103,392 B2 9/2006 Fletcher et al.  
 D533,166 S 12/2006 Marquez  
 D563,382 S 3/2008 Wikel  
 D567,215 S \* 4/2008 Lee ..... D14/205  
 7,388,960 B2 \* 6/2008 Kuo ..... H04R 1/1041  
 379/430  
 D578,508 S 10/2008 Wang  
 D585,871 S 2/2009 Lee  
 D589,492 S 3/2009 Mistry  
 D602,908 S 10/2009 Ham et al.  
 D603,370 S 11/2009 Suzuki  
 D623,627 S 9/2010 Alden et al.  
 D641,003 S 7/2011 Alden  
 D642,554 S 8/2011 Schaal et al.  
 D650,356 S 12/2011 Alden et al.  
 D662,080 S 6/2012 Carr et al.  
 D665,776 S 8/2012 Alden et al.  
 D665,777 S 8/2012 Alden et al.  
 D667,388 S 9/2012 Kelley  
 D673,136 S 12/2012 Kelly et al.  
 D674,372 S 1/2013 Kelly et al.  
 D677,241 S 3/2013 Kelly et al.  
 D677,243 S 3/2013 Kitayama et al.  
 D683,717 S 6/2013 Kelly et al.  
 D685,759 S 7/2013 Kelly et al.  
 D689,464 S 9/2013 Bonahoom et al.  
 D691,113 S 10/2013 Gougherty et al.  
 D691,582 S 10/2013 Nguyen et al.  
 D693,793 S 11/2013 Kelly et al.  
 D699,216 S 2/2014 Bonahoom et al.  
 D701,193 S 3/2014 Kelly et al.  
 D706,241 S 6/2014 Szymanski et al.  
 D707,654 S 6/2014 Nguyen et al.  
 D719,136 S 12/2014 Schaal et al.  
 D721,052 S 1/2015 Carr et al.  
 D725,074 S \* 3/2015 Boeckel ..... D14/205  
 D727,283 S 4/2015 Dryden et al.  
 D729,196 S 5/2015 Liu

D732,000 S 6/2015 Brunner et al.  
 D733,092 S 6/2015 Gan  
 D734,297 S 7/2015 Sasaki et al.  
 D741,289 S 10/2015 Schaal et al.  
 D746,790 S 1/2016 Strasberg et al.  
 D757,680 S 5/2016 Kelly et al.  
 D758,337 S 6/2016 Szymanski  
 D765,055 S \* 8/2016 Hsieh ..... D14/205  
 D769,221 S \* 10/2016 Pedersen ..... D14/206  
 D784,956 S \* 4/2017 Homewood ..... D14/205  
 D787,470 S 5/2017 Kelly et al.  
 D805,055 S 12/2017 Kelly et al.  
 D811,364 S \* 2/2018 Park ..... D14/205  
 D811,365 S 2/2018 Czaniecki  
 D815,614 S 4/2018 Tzeng et al.  
 D817,303 S 5/2018 Tragatschnig  
 D826,210 S \* 8/2018 Chong ..... D14/205  
 D828,326 S 9/2018 Ye  
 D834,260 S \* 11/2018 Garcia Mansilla ..... D29/112  
 D840,370 S 2/2019 Kelly et al.  
 D851,627 S 6/2019 Ter Laag et al.  
 D852,776 S \* 7/2019 Zhu ..... D14/205  
 D852,777 S \* 7/2019 Park ..... D14/206  
 D854,513 S 7/2019 Miyake et al.  
 D869,437 S 12/2019 Hu  
 D871,367 S \* 12/2019 Zhijun ..... D14/205  
 D873,792 S \* 1/2020 Tong ..... D14/206  
 D879,066 S 3/2020 Chen  
 D879,741 S \* 3/2020 Hu ..... D14/205  
 D883,252 S \* 5/2020 Tong ..... D14/205  
 D887,391 S 6/2020 Chong  
 D891,396 S \* 7/2020 Matthews ..... D14/205  
 D895,570 S \* 9/2020 Choi ..... D14/205  
 D896,203 S \* 9/2020 Tong ..... D14/206  
 D908,663 S \* 1/2021 Tamamura ..... D14/205  
 D910,592 S \* 2/2021 Luo ..... D14/205  
 D914,635 S \* 3/2021 Tong ..... D14/205  
 2010/0310093 A1 12/2010 Semcken  
 2011/0002478 A1 1/2011 Pollard et al.  
 2014/0056459 A1 2/2014 Oishi et al.

FOREIGN PATENT DOCUMENTS

EM 006929642-0001 9/2019  
 EM 008057400-0001 \* 5/2020

\* cited by examiner



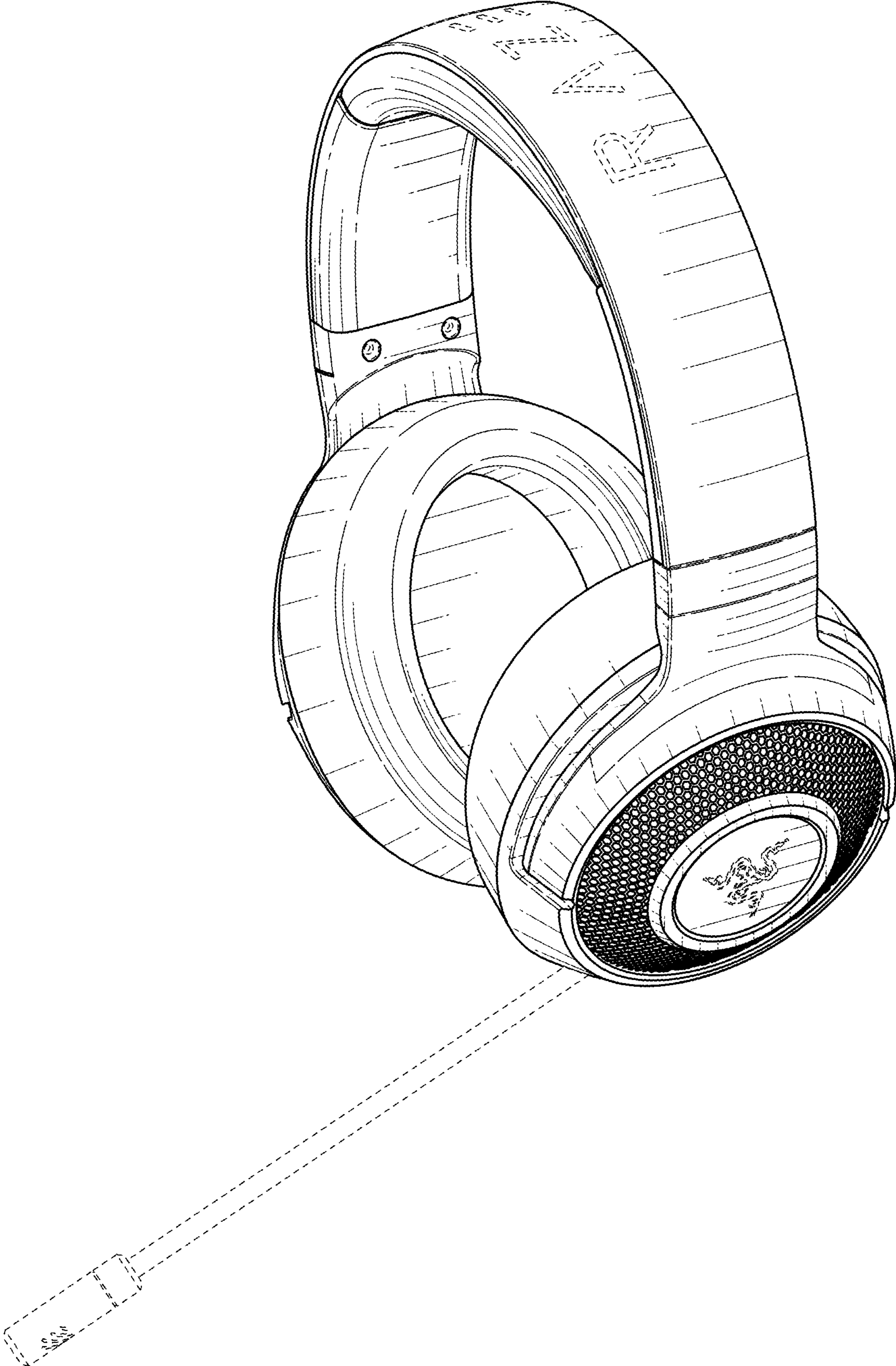


FIG. 1

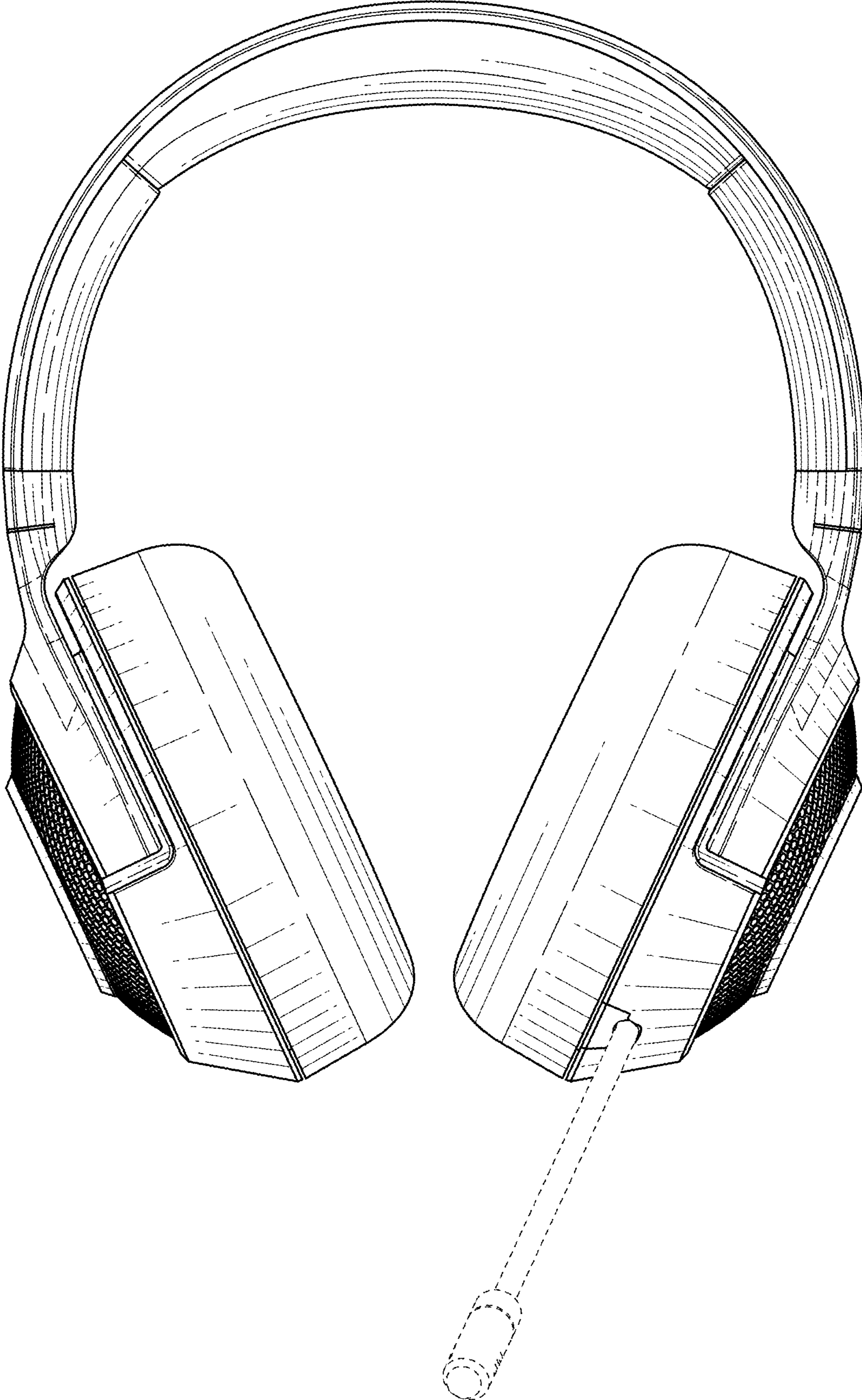


FIG. 2

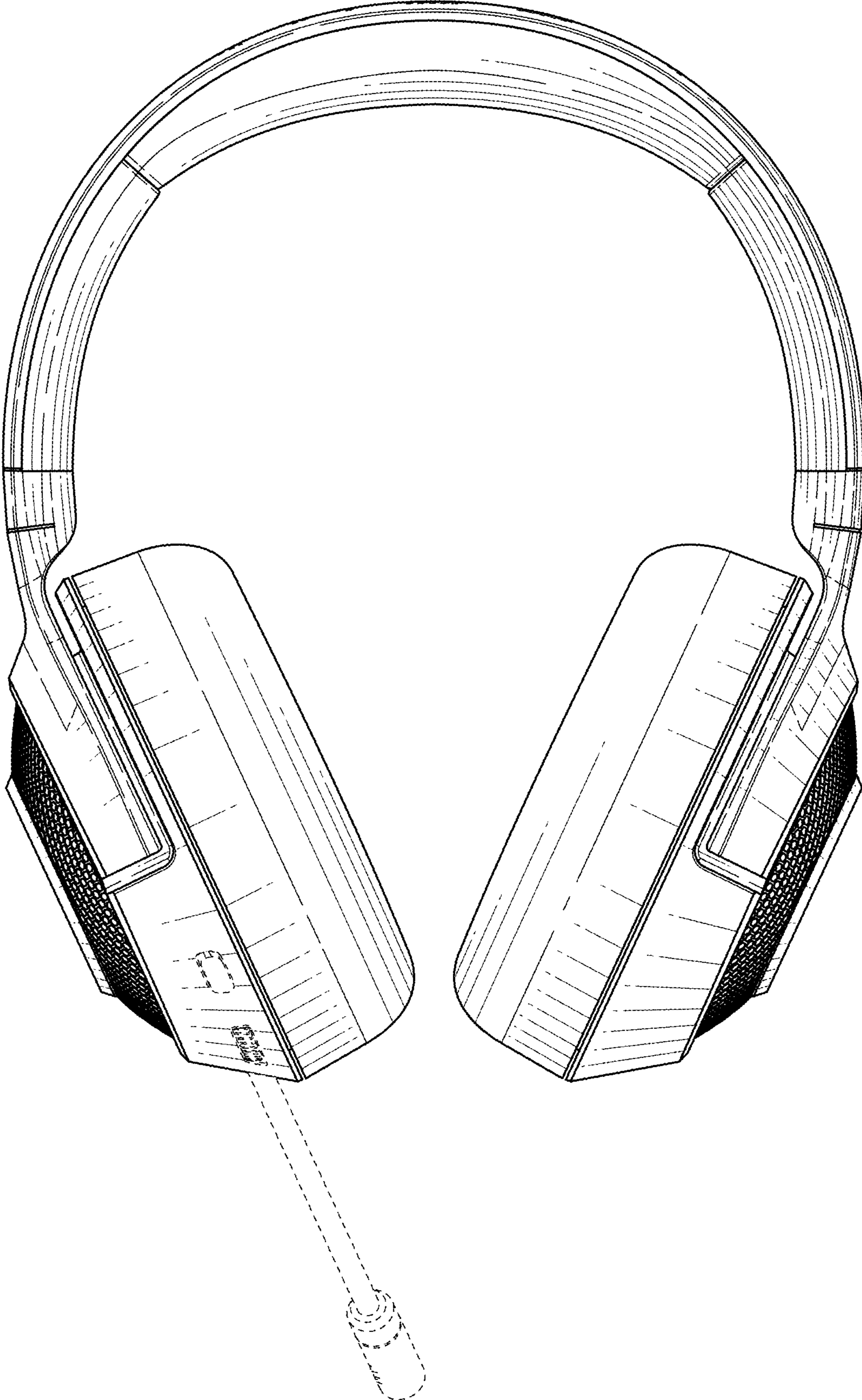


FIG. 3



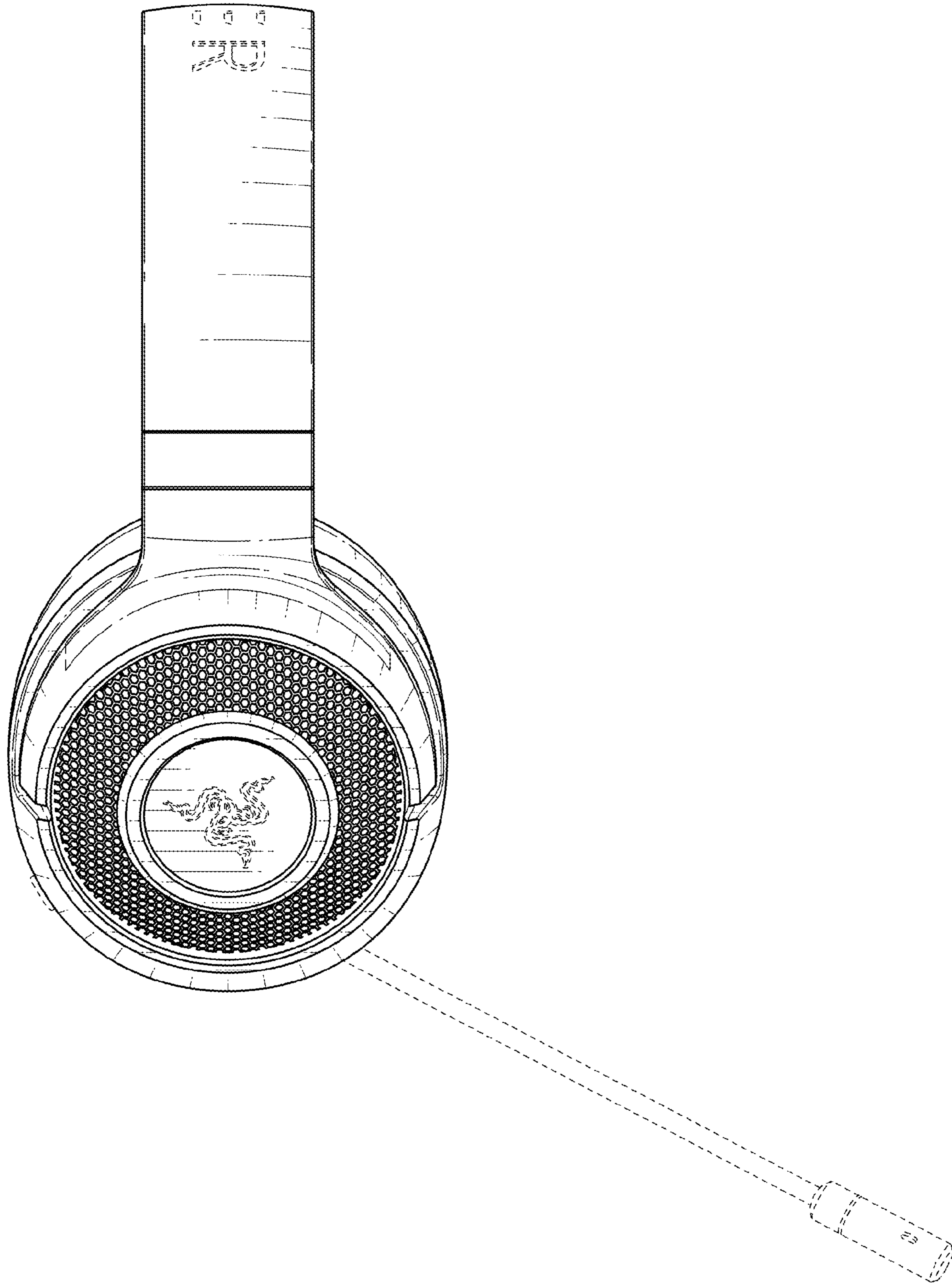


FIG. 4

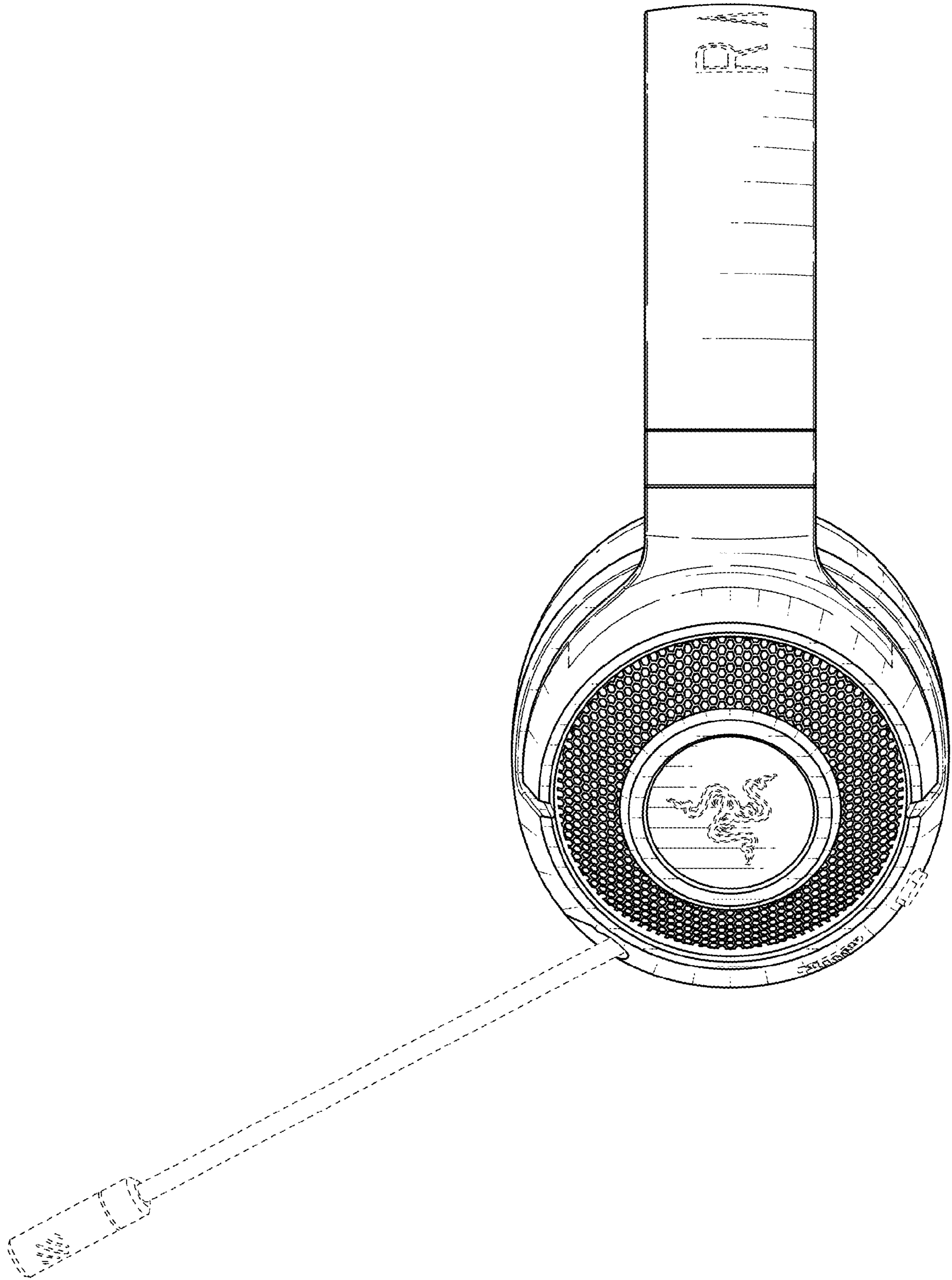


FIG. 5

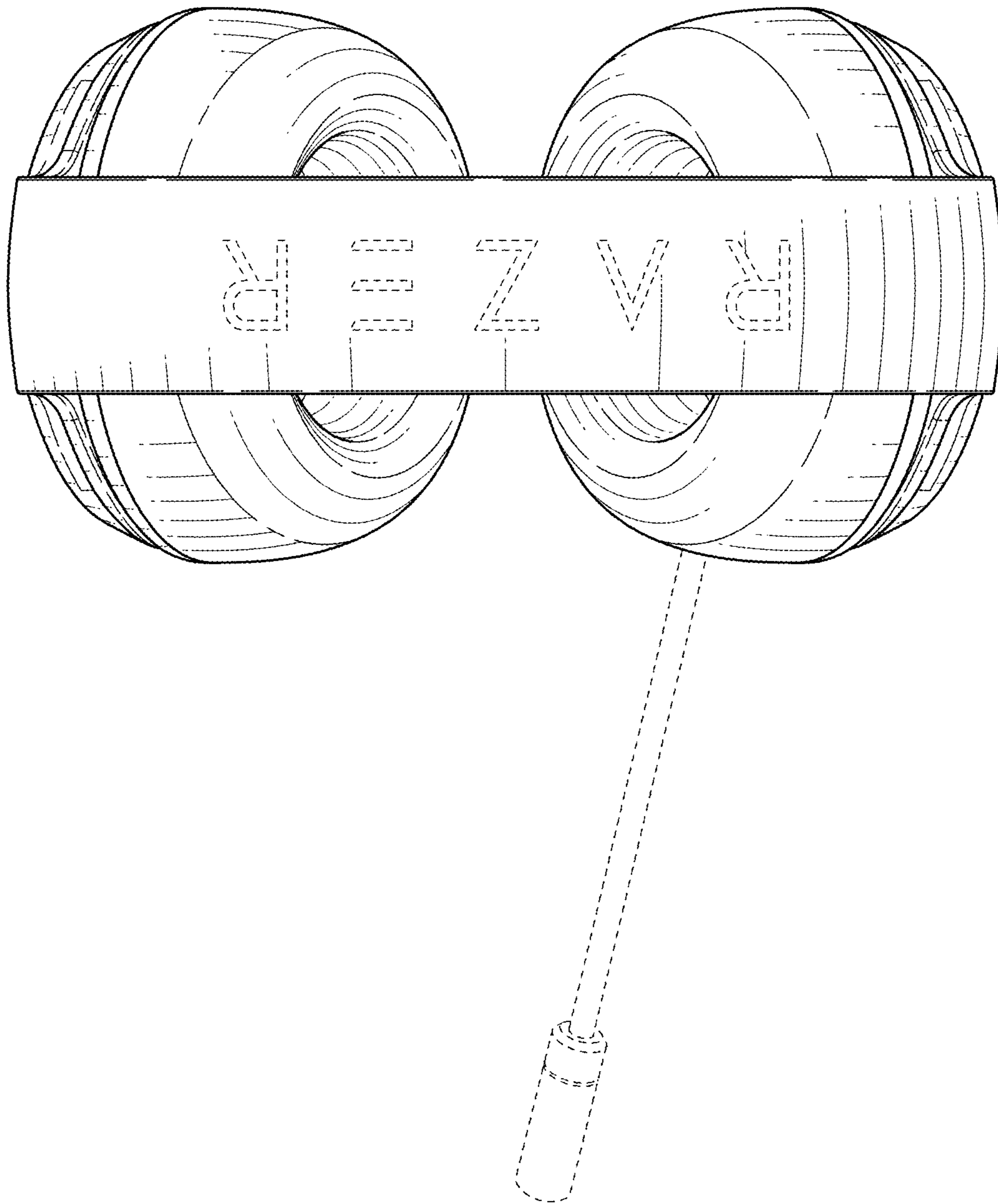


FIG. 6



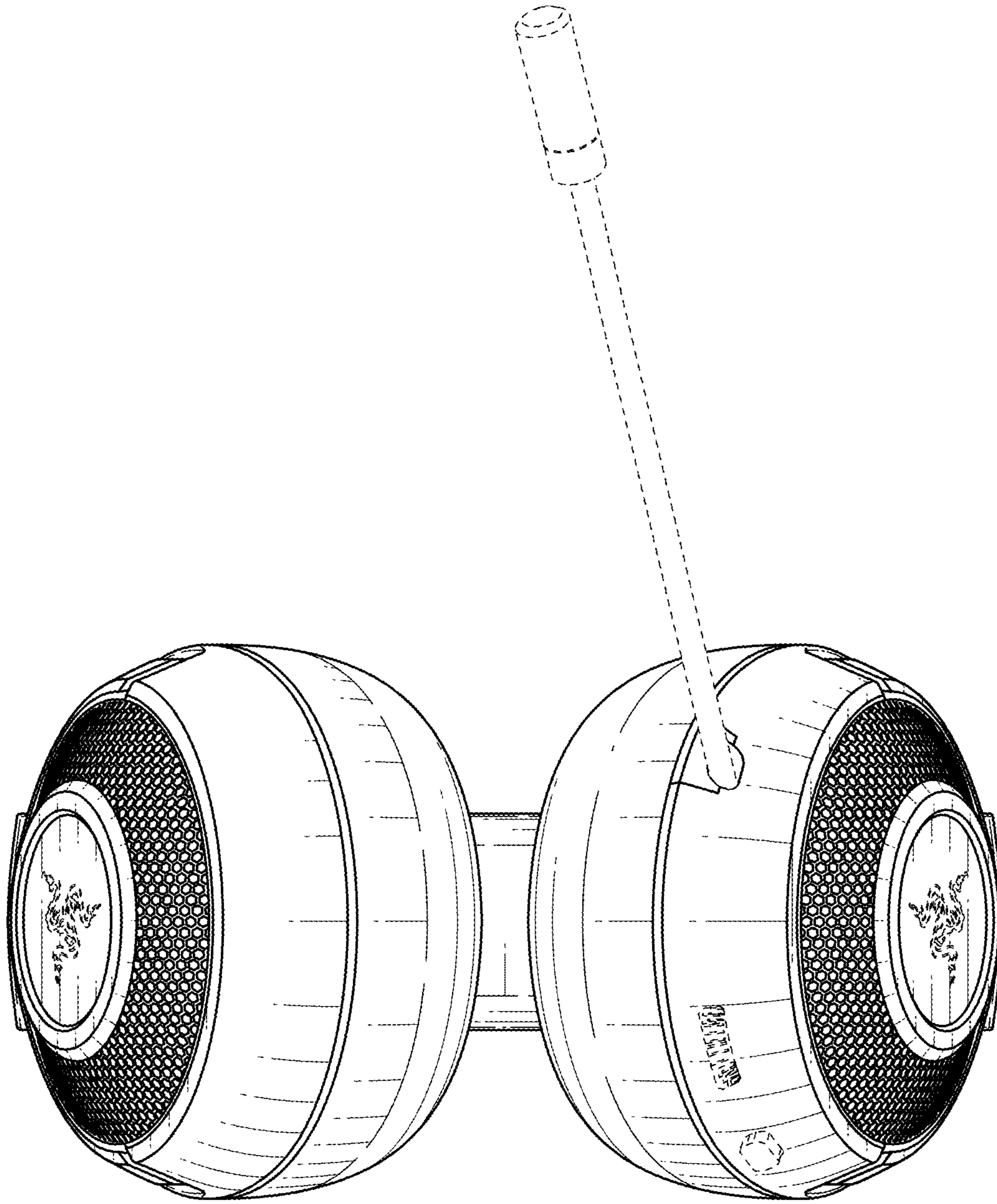


FIG. 7

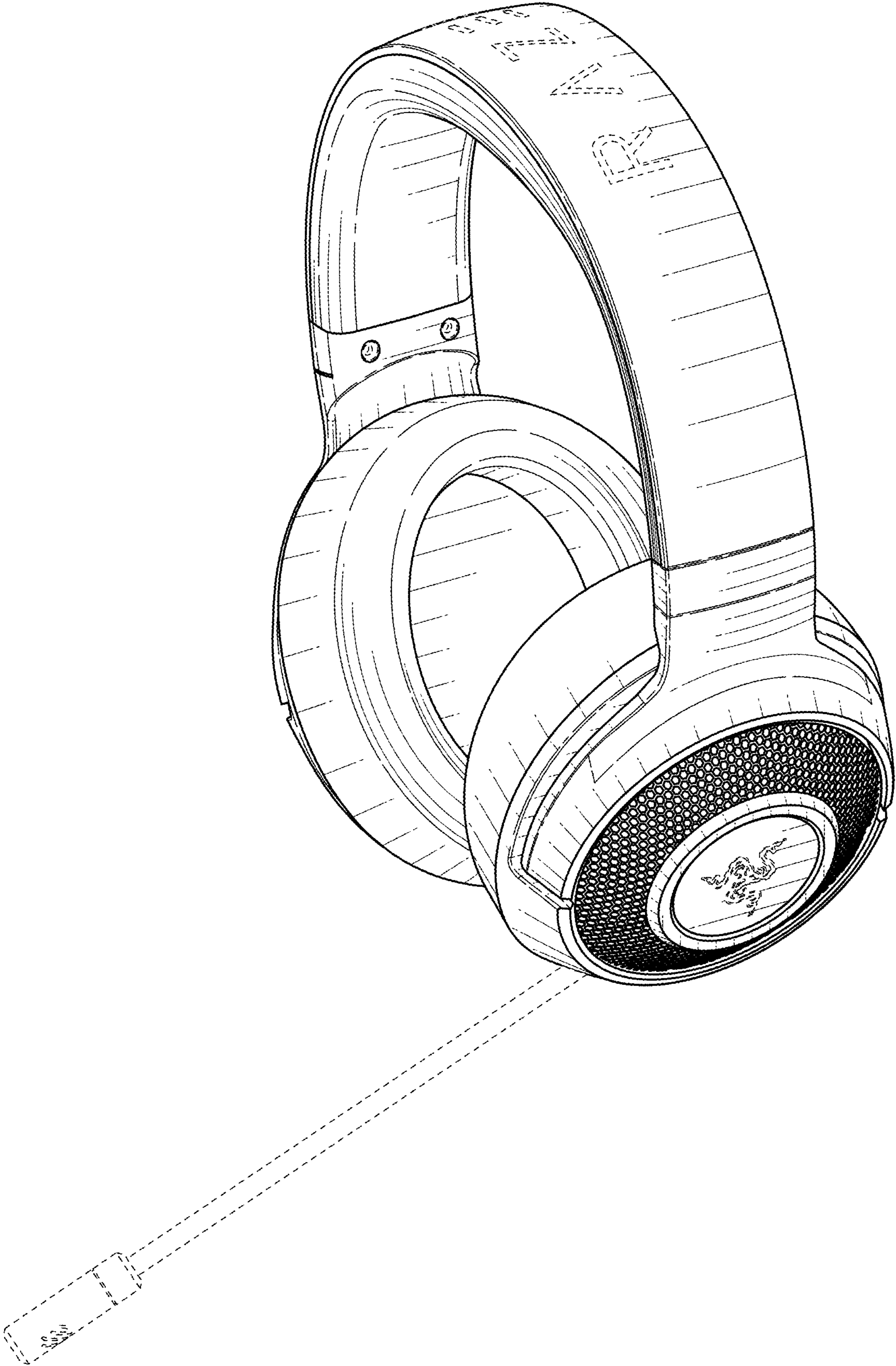


FIG. 8

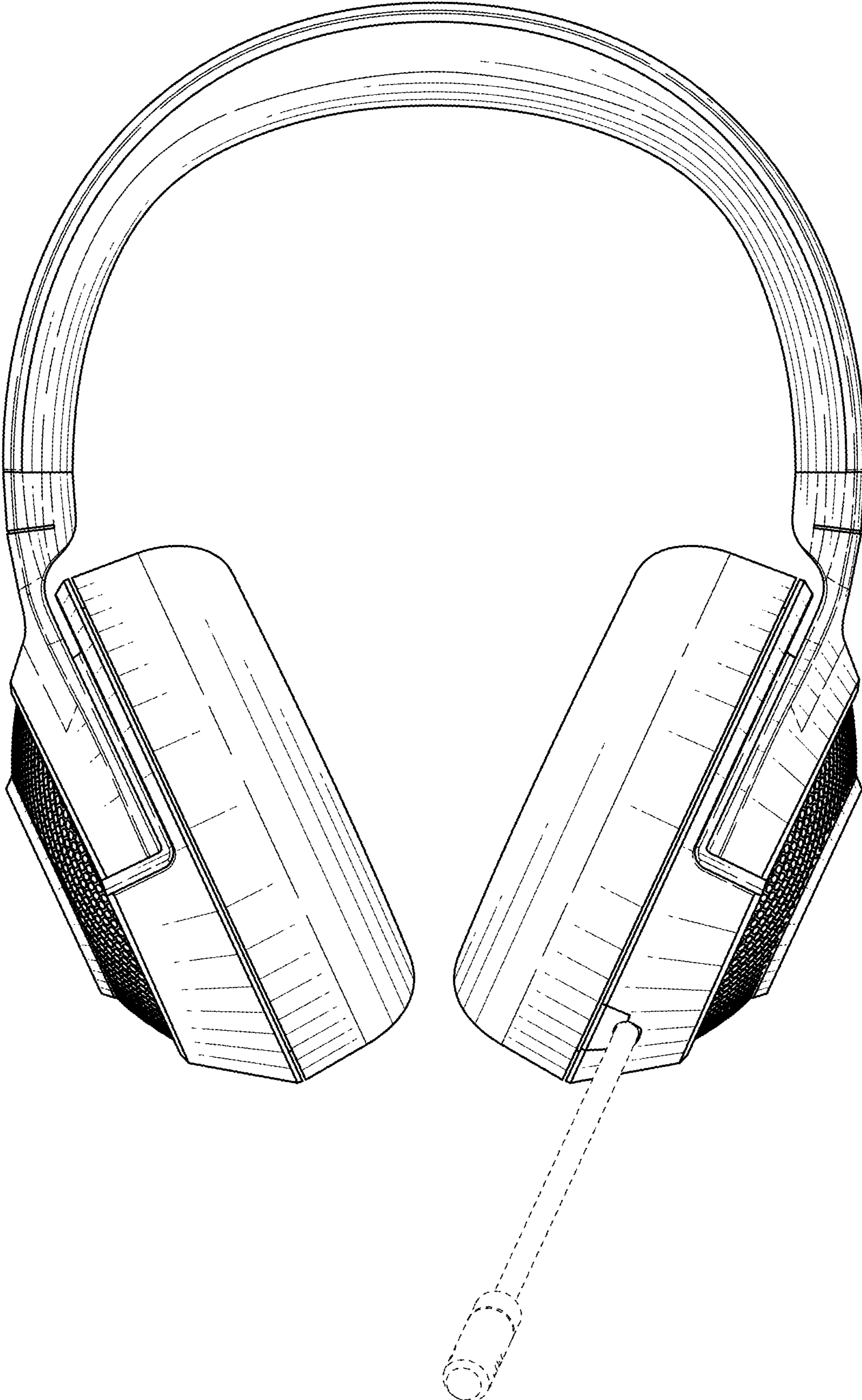


FIG. 9



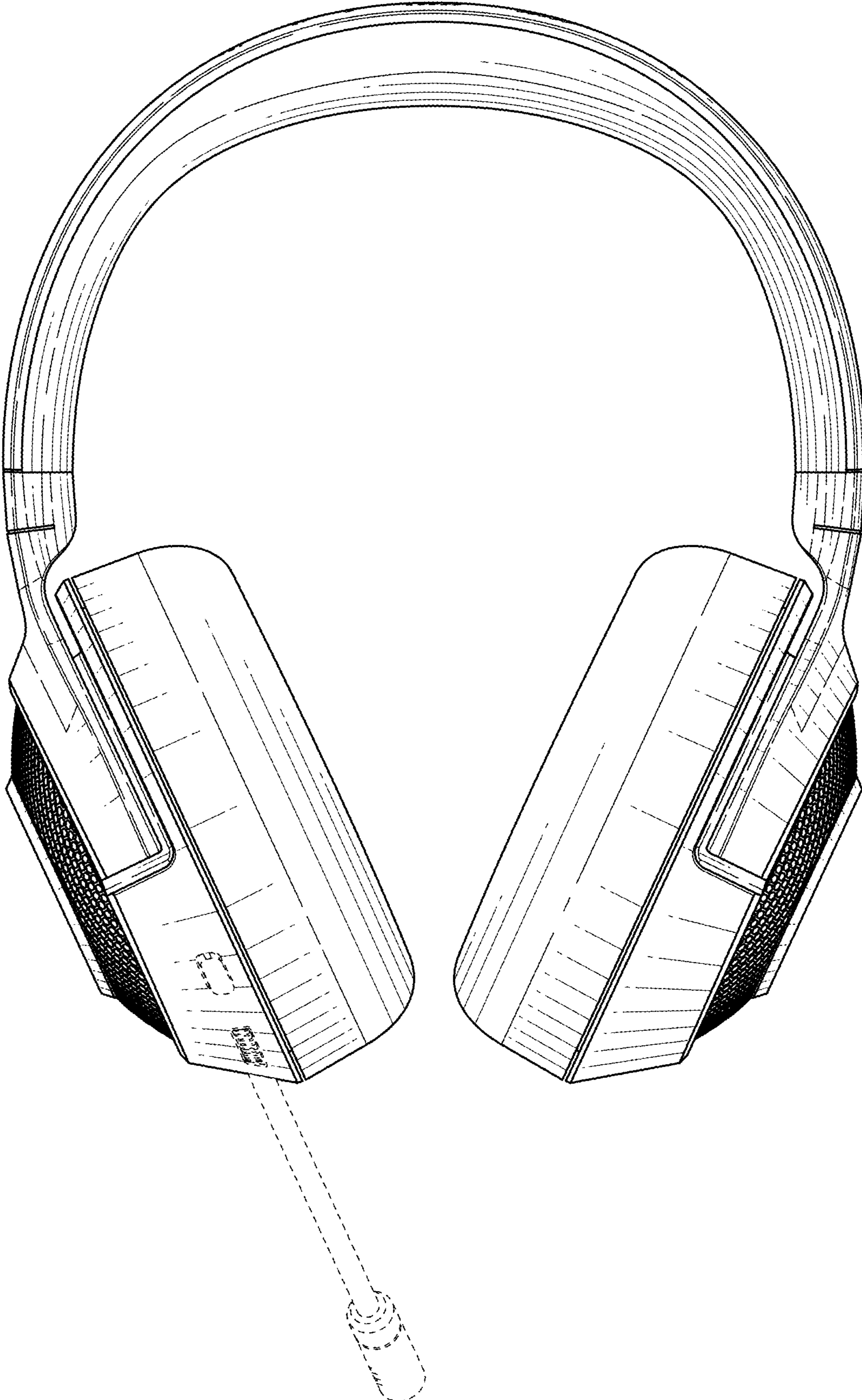


FIG. 10

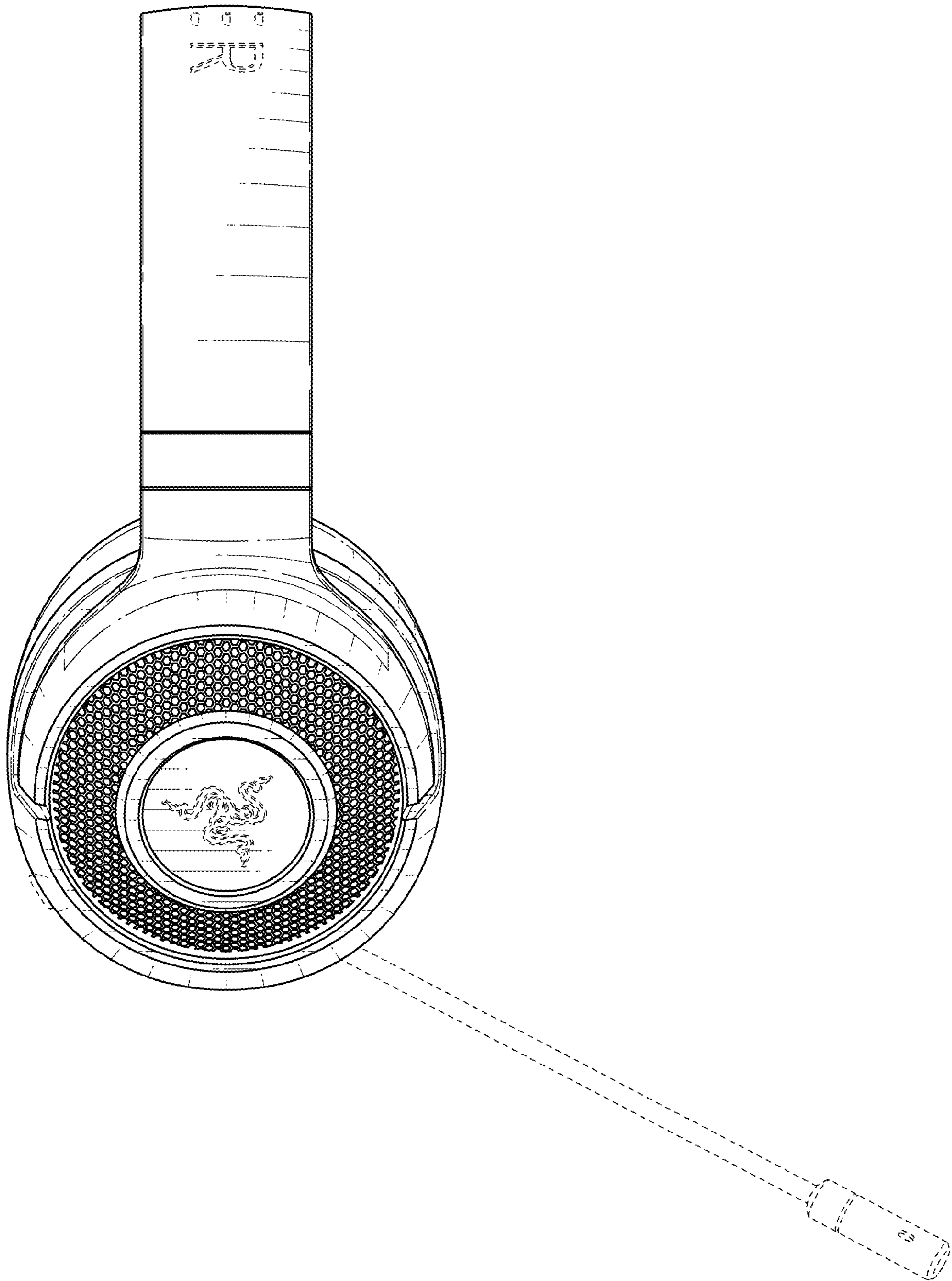


FIG. 11

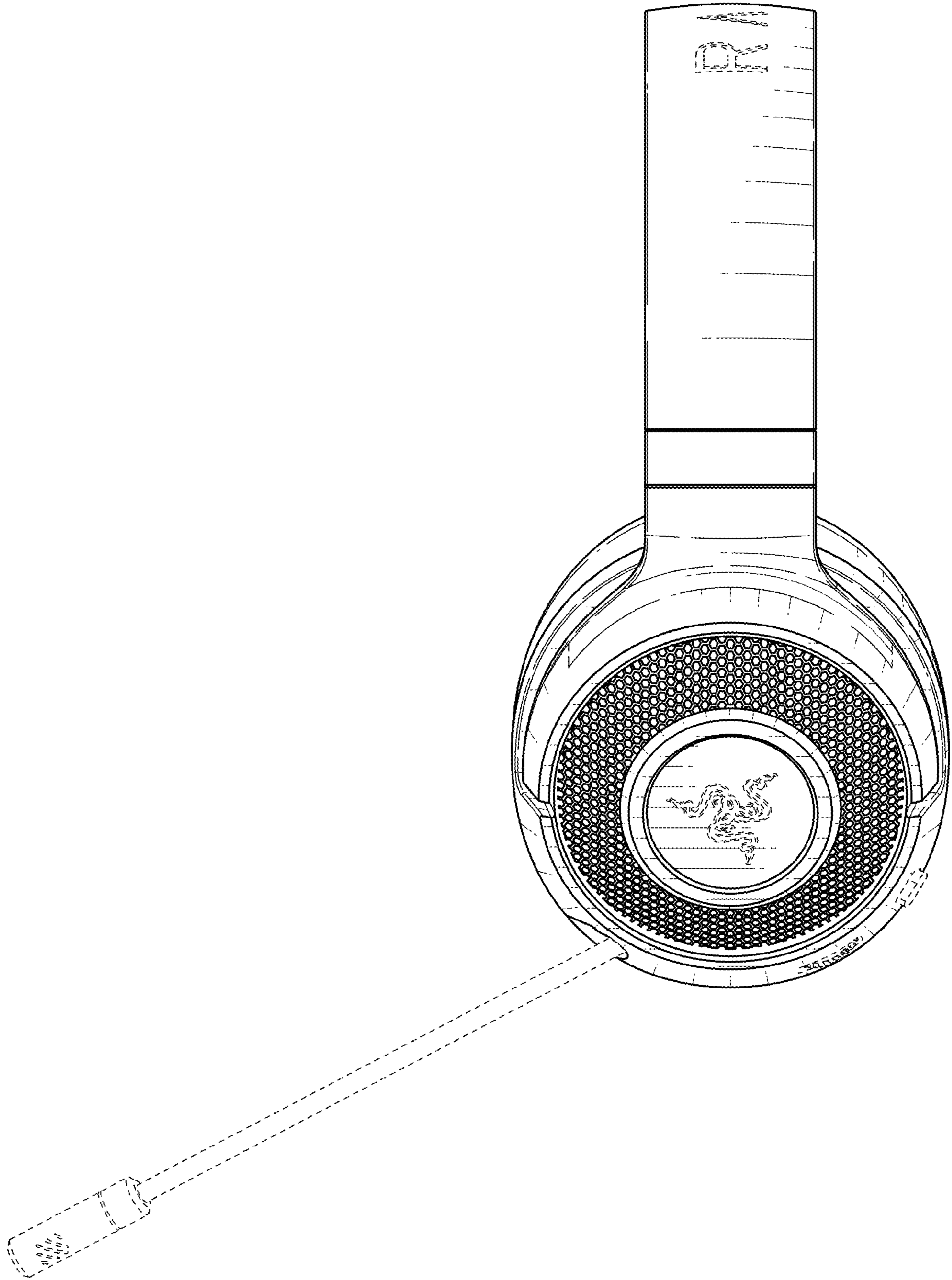


FIG. 12



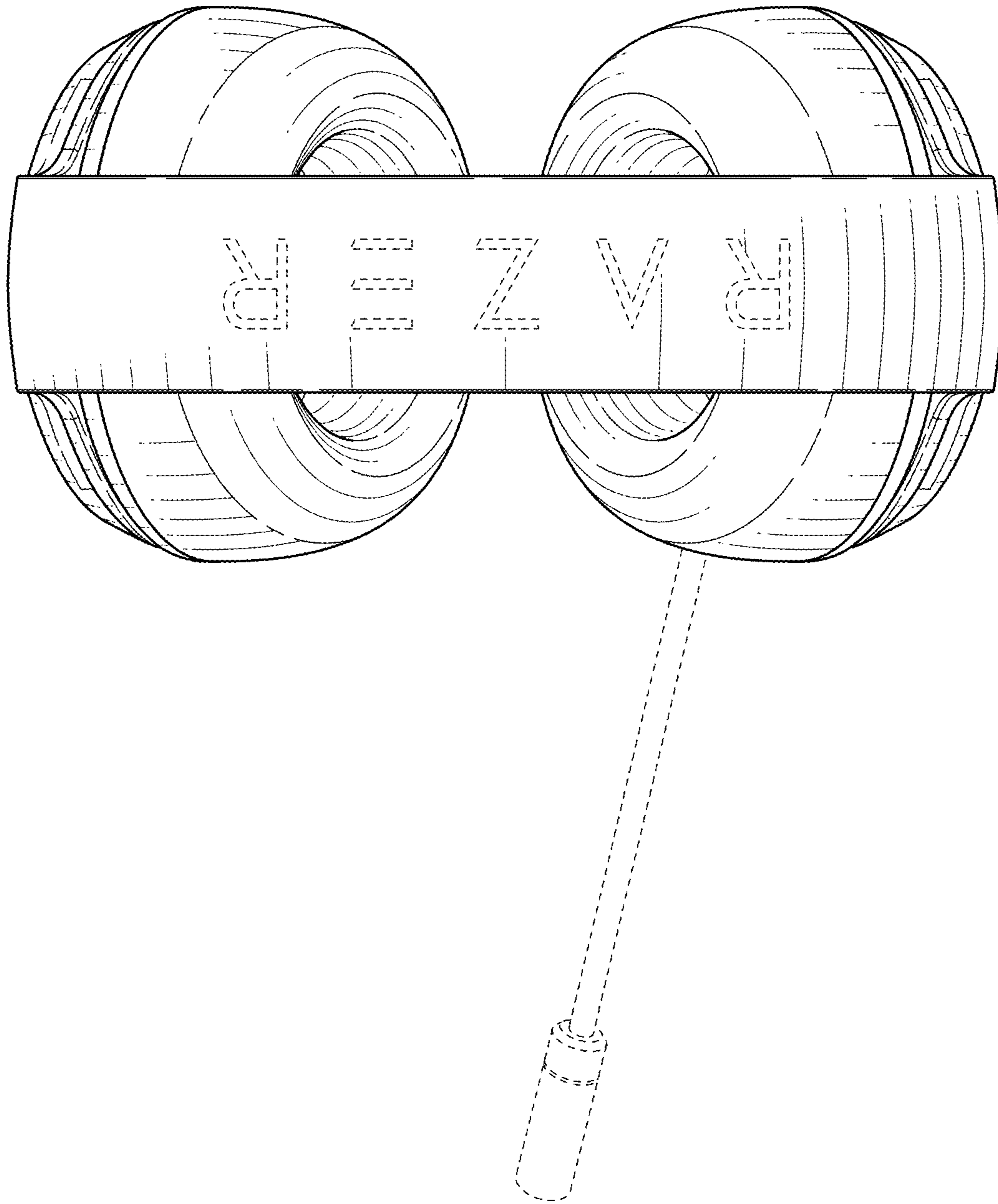


FIG. 13

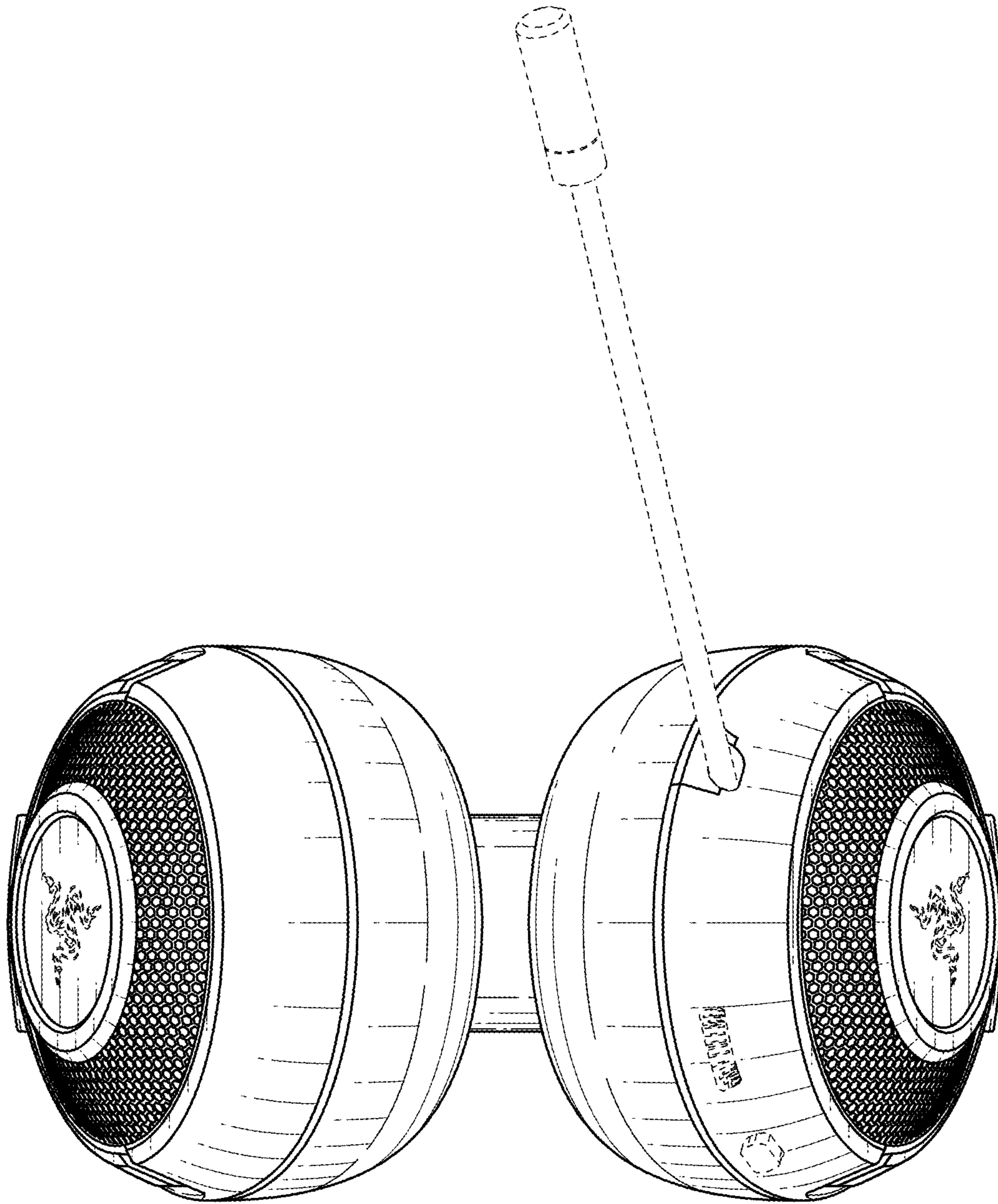


FIG. 14