



US00D920952S

(12) **United States Design Patent**
Yaegashi et al.

(10) **Patent No.:** **US D920,952 S**
(45) **Date of Patent:** **** Jun. 1, 2021**

(54) **HEADPHONE**

(71) Applicant: **SONY CORPORATION**, Tokyo (JP)

(72) Inventors: **Taku Yaegashi**, Tokyo (JP); **Nami Katayama**, Tokyo (JP)

(73) Assignee: **SONY CORPORATION**, Tokyo (JP)

(**) Term: **15 Years**

(21) Appl. No.: **29/703,301**

(22) Filed: **Aug. 26, 2019**

(30) **Foreign Application Priority Data**

Feb. 27, 2019 (CN) 201930096645.3
Feb. 27, 2019 (JP) D2019-003942

(Continued)

(51) **LOC (13) Cl.** **14-01**

(52) **U.S. Cl.**
USPC **D14/205**; D14/206

(58) **Field of Classification Search**
USPC D14/205, 206, 188, 192; D29/112;
2/209; 381/380, 381, 374; 455/90.3,
(Continued)

(56) **References Cited**

U.S. PATENT DOCUMENTS

1,554,180 A * 9/1925 Trader E04B 1/8409
52/144
1,980,533 A * 11/1934 Kile A61C 19/005
433/49

(Continued)

FOREIGN PATENT DOCUMENTS

CN 300727570 S 1/2008
CN 300855853 S 12/2008

(Continued)

OTHER PUBLICATIONS

Matthew Cassella, "iFrogz Mogul offers an earful of style", Website at <https://www.newsday.com/business/technology/ifrogz-ear-pollution-mogul-review-an-earful-of-style-1.3389316>, Dec. 15, 2011, Business/Technology section, Newsday.

Primary Examiner — Paula Allen Greene

(74) *Attorney, Agent, or Firm* — Michael Best and Friedrich LLP

(57) **CLAIM**

The ornamental design for a headphone, as shown and described.

DESCRIPTION

FIG. 1 is a front, top, left perspective view of a first embodiment of a headphone showing our new design;

FIG. 2 is a bottom, left perspective view thereof;

FIG. 3 is a front elevational view thereof;

FIG. 4 is a rear elevational view thereof; and

FIG. 5 is a left side elevational view thereof

FIG. 6 is a partially enlarged left side elevational view thereof along the lines 6-6 of FIG. 5;

FIG. 7 is a partially enlarged front, top, left perspective view along the lines 7-7 of FIG. 1 with a cross sectional view thereof cut along the line 7-7 of FIG. 5;

FIG. 8 is a front elevational view of the embodiment of FIG. 1 wherein the ear cups are in an upright position; and

FIG. 9 is a partially enlarged front elevational view thereof along the lines 9-9 of FIG. 8.

FIG. 10 is front, top, left perspective view of a second embodiment of a headphone showing our new design;

FIG. 11 is a bottom, left perspective view thereof;

FIG. 12 is a front elevational view thereof;

FIG. 13 is a rear elevational view thereof; and

FIG. 14 is a left side elevational view thereof.

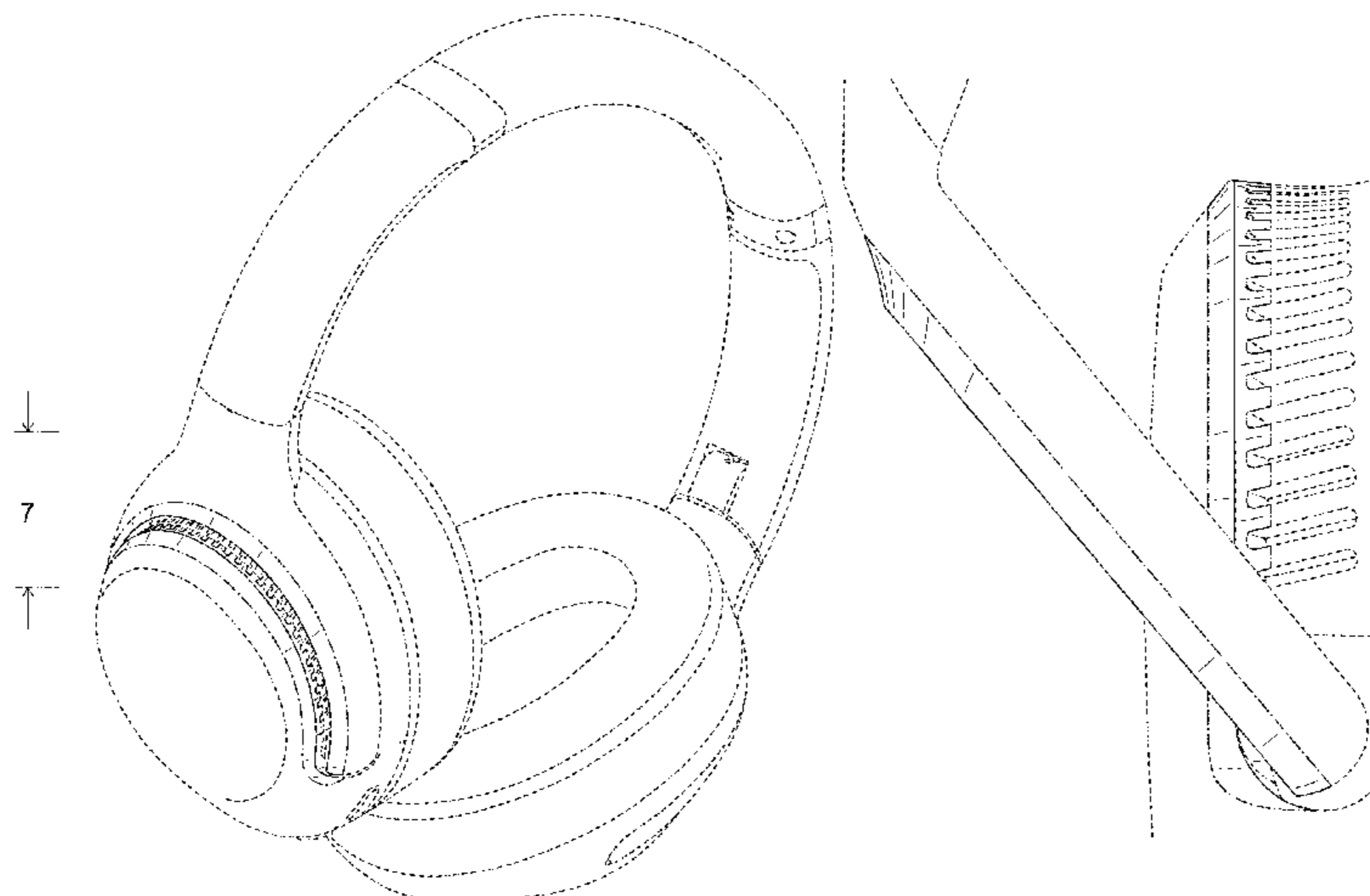
FIG. 15 is a partially enlarged left side elevational view thereof along the lines 15-15 of FIG. 14;

FIG. 16 is a partially enlarged front, top, left perspective view along the lines 16-16 of FIG. 10 with a cross sectional view thereof cut along the line 16-16 of FIG. 14;

FIG. 17 is a front elevational view of the embodiment of FIG. 10 wherein the ear cups are in an upright position; and,

FIG. 18 is a partially enlarged front elevational view thereof along the lines 18-18 of FIG. 17.

(Continued)



The broken lines showing portions of the headphone form no part of the claimed design. The dot-dash broken lines defining boundaries of the claimed design form no part of the claimed design.

1 Claim, 18 Drawing Sheets

(30) **Foreign Application Priority Data**

Feb. 27, 2019 (JP) D2019-003943
 Feb. 27, 2019 (JP) D2019-003944
 Feb. 27, 2019 (JP) D2019-003945
 Feb. 27, 2019 (JP) D2019-003946
 Feb. 27, 2019 (JP) D2019-003947

(58) **Field of Classification Search**

USPC 455/575.1, 569.1; D25/145, 158, 160,
 D25/125, 119; 428/166; 52/169.5,
 52/742.12; D23/229
 CPC H04R 25/00; H04R 1/1016; H04R 1/1066;
 H04R 5/033; H04R 5/0335; H04R
 1/1048; H04R 1/1091
 See application file for complete search history.

(56) **References Cited**

U.S. PATENT DOCUMENTS

2,054,499 A * 9/1936 Florman E06B 9/13
 428/77
 D116,103 S * 8/1939 Beidner D5/47
 3,084,403 A * 4/1963 Elmendorf E04F 13/0801
 428/166
 3,222,697 A * 12/1965 Scheermesser A47C 27/144
 428/160
 3,274,315 A * 9/1966 Kawamura B29C 48/11
 264/563
 3,336,179 A * 8/1967 Campbell B29C 70/12
 428/300.7
 3,425,889 A * 2/1969 Willits, Jr. A47F 5/0815
 248/220.43
 3,561,177 A * 2/1971 Argo E02B 3/126
 52/169.14
 D244,384 S * 5/1977 Stichtenoth D25/160
 D291,198 S * 8/1987 Bellini D14/205
 D305,541 S * 1/1990 Hirose D14/205
 4,908,251 A * 3/1990 Limura B32B 27/30
 428/68
 4,993,074 A * 2/1991 Carroll H04R 5/033
 181/129
 D328,461 S * 8/1992 Daido D14/205
 D347,434 S * 5/1994 Yamatogi D14/205
 D348,465 S * 7/1994 Yamatogi D14/205

D423,012 S * 4/2000 Yasutomi D14/205
 D431,550 S * 10/2000 Yoneda D14/205
 D453,015 S * 1/2002 Yuyama D14/192
 D457,512 S * 5/2002 Yoneda D14/205
 6,483,925 B1 * 11/2002 Shen H04R 1/105
 381/370
 D471,991 S * 3/2003 Maylon D25/119
 D523,846 S * 6/2006 Lee D14/205
 D530,307 S * 10/2006 Rath D14/206
 D589,492 S * 3/2009 Mistry D14/205
 D625,709 S * 10/2010 Yamamoto D14/223
 7,810,291 B2 * 10/2010 McPherson E02D 31/02
 52/302.3
 D631,175 S * 1/2011 Munoz Escribano D25/119
 D635,124 S * 3/2011 Morimoto D14/205
 D639,385 S * 6/2011 Flowers D23/213
 D660,824 S * 5/2012 Hardi D14/205
 D678,468 S * 3/2013 Hanna D23/229
 D679,031 S * 3/2013 Amend D25/163
 8,437,077 B2 * 5/2013 Chang G02B 21/084
 359/385
 D689,208 S * 9/2013 Crocker D25/199
 D698,747 S * 2/2014 Lee D14/205
 D704,161 S 5/2014 Morimoto et al.
 D719,548 S * 12/2014 Thompson D14/223
 D723,509 S * 3/2015 Garland D14/205
 D725,629 S * 3/2015 Kiuchi D14/205
 D725,636 S * 3/2015 McNamara D14/223
 D758,990 S * 6/2016 Jiang D14/205
 D769,219 S * 10/2016 Ohmachi D14/205
 D792,376 S 7/2017 Morimoto et al.
 9,800,976 B2 * 10/2017 Honda H04R 5/033
 D808,359 S * 1/2018 Meyer D14/205
 D809,478 S * 2/2018 Arimoto D14/205
 D811,364 S * 2/2018 Park D14/205
 D852,775 S * 7/2019 Ando D14/205
 D852,776 S * 7/2019 Zhu D14/205
 D869,430 S * 12/2019 Rama D14/205
 D875,066 S * 2/2020 Ando D14/205
 D886,078 S * 6/2020 He D14/206
 2005/0198916 A1 * 9/2005 Janesky E02D 31/02
 52/169.5
 2008/0137334 A1 * 6/2008 Hsu G02B 5/0242
 362/246
 2020/0053458 A1 * 2/2020 Ring H04R 1/10
 2020/0314533 A1 * 10/2020 Cochran H04R 1/1066

FOREIGN PATENT DOCUMENTS

CN 302966983 S 10/2014
 CN 303661776 S 5/2016
 CN 303746109 S 7/2016
 CN 303815791 S 8/2016
 JP D1068889 S 2/2000
 JP D1070556 S 2/2000
 JP D1398953 S 9/2010
 JP D1452709 S 9/2012

* cited by examiner

FIG. 1

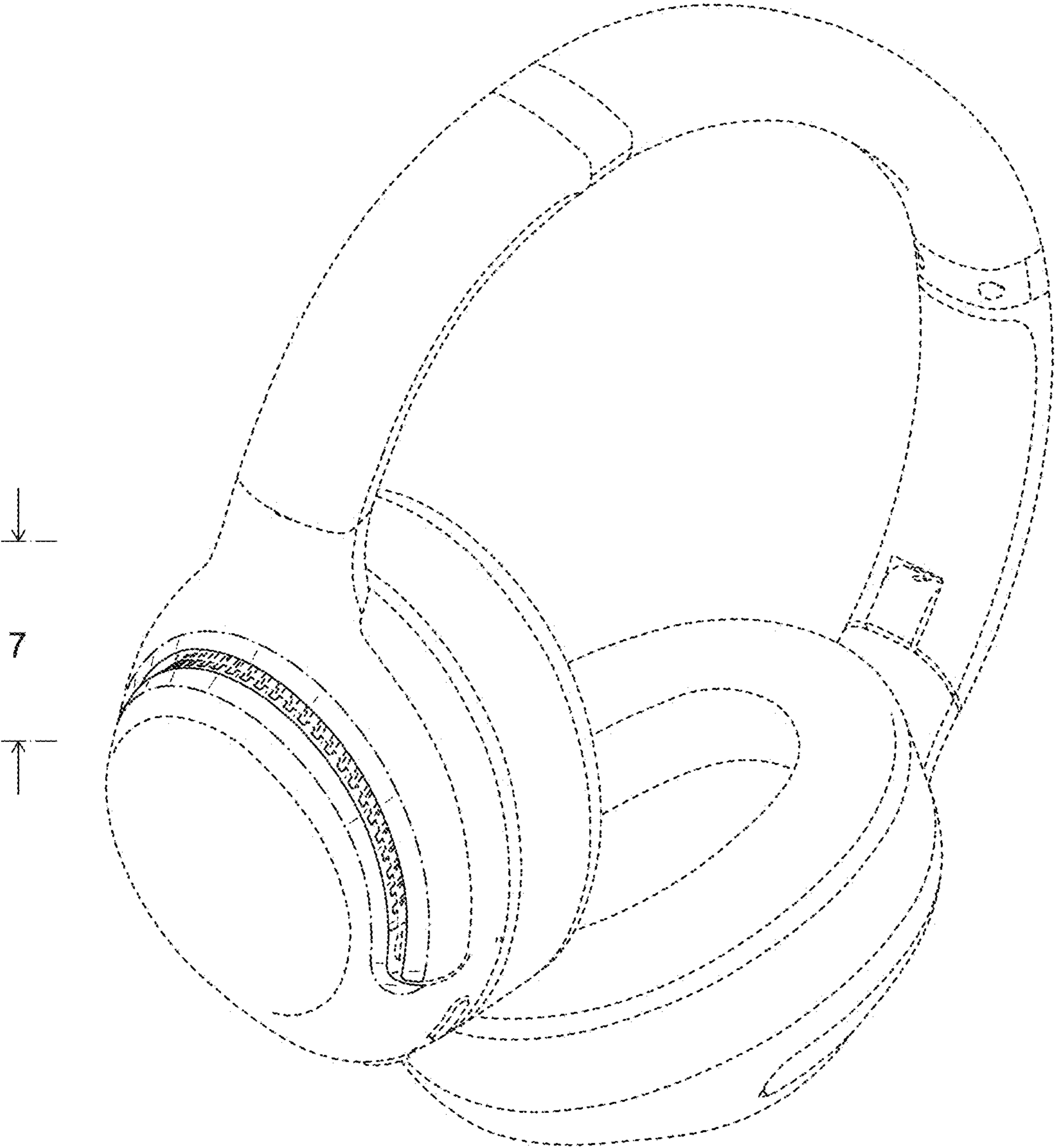


FIG. 2

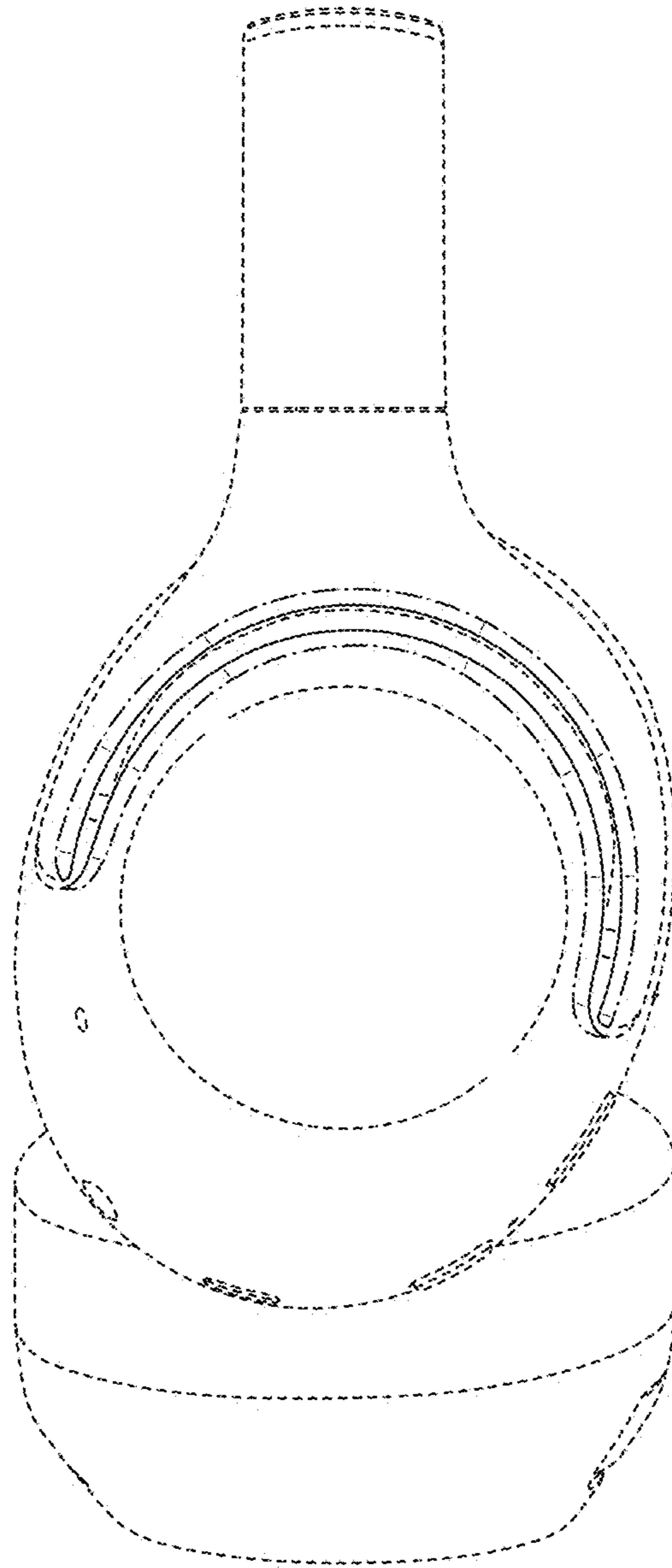


FIG. 3

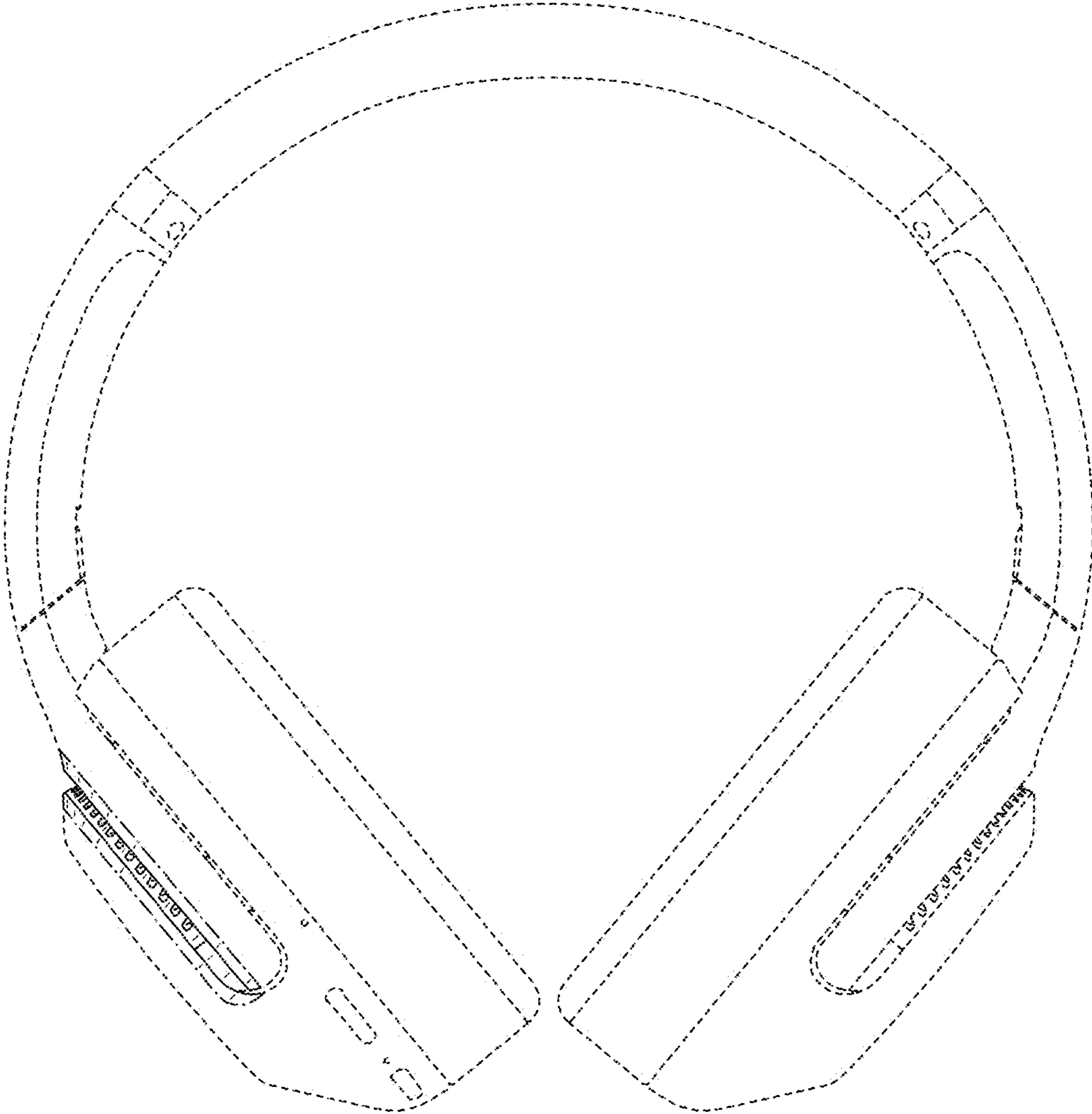


FIG. 4

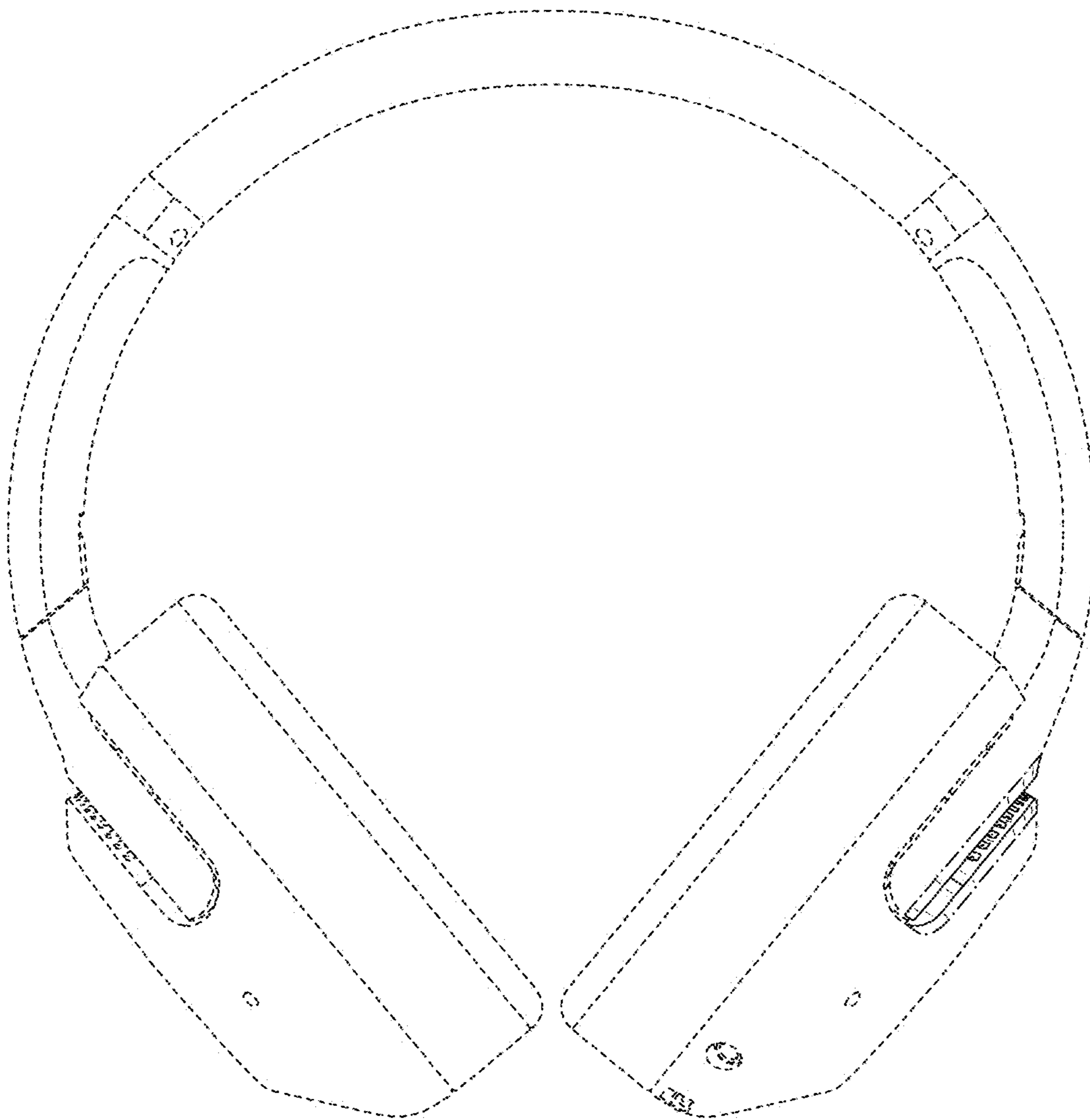


FIG. 5

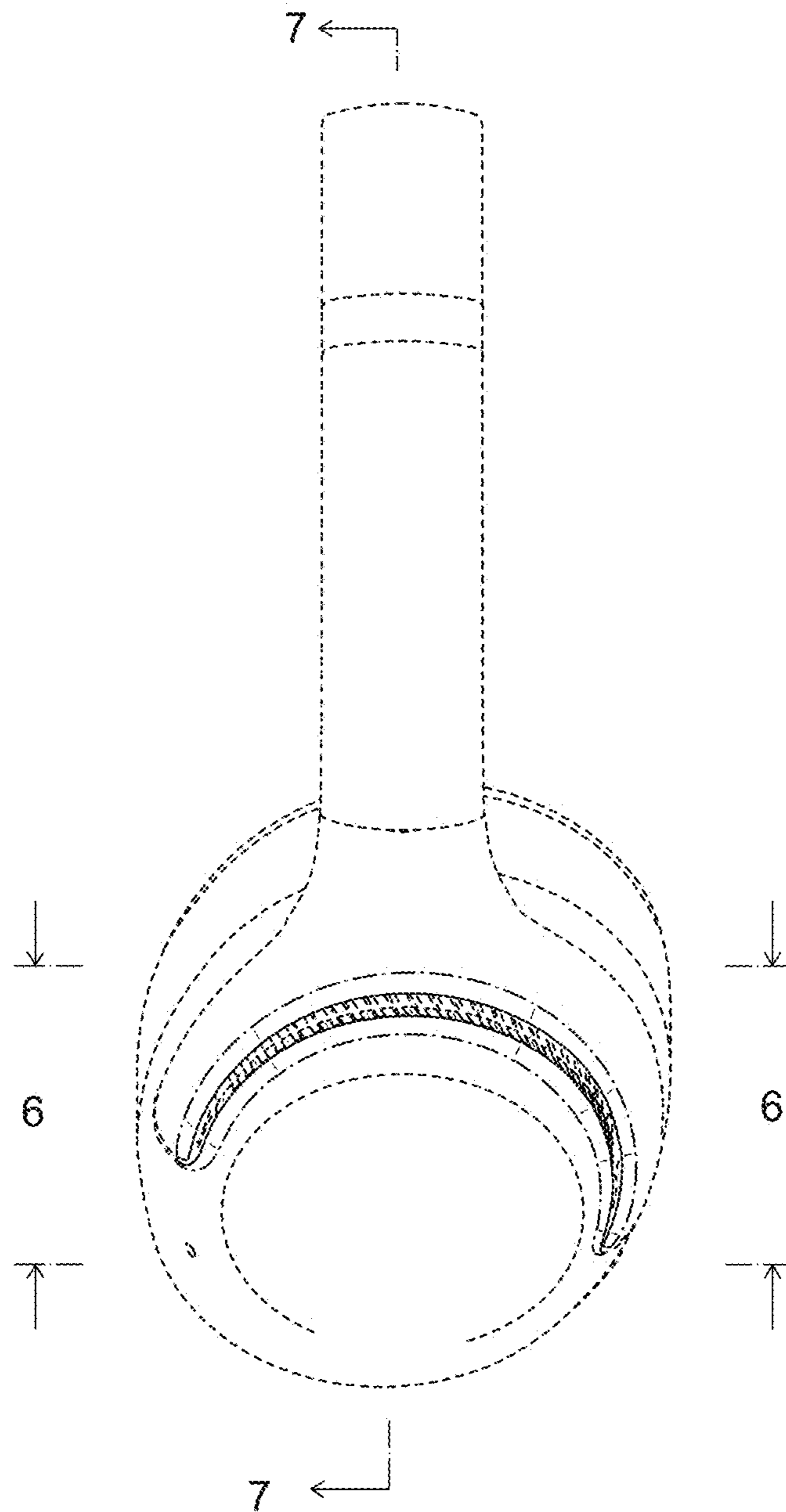


FIG. 6

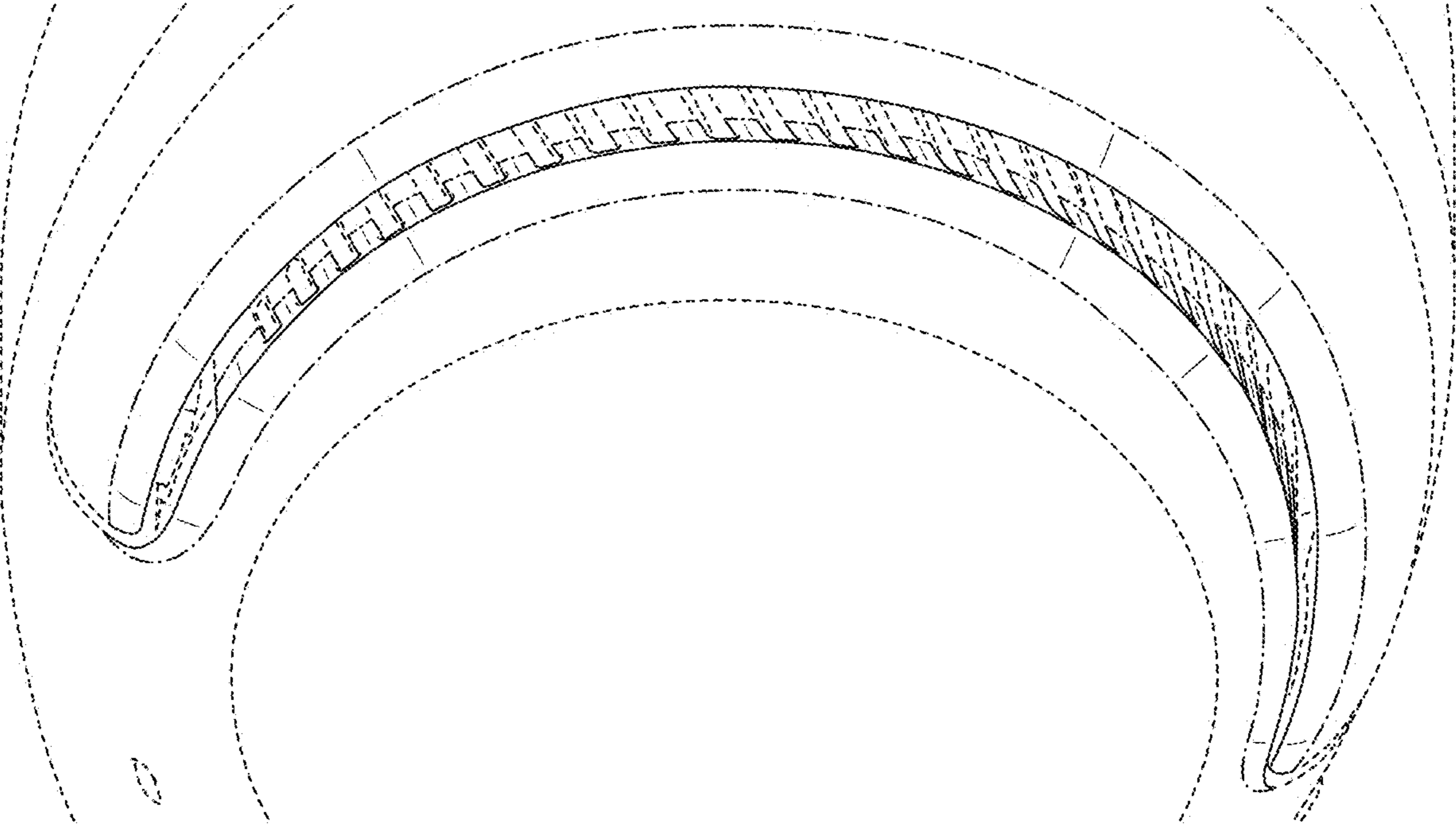


FIG. 7

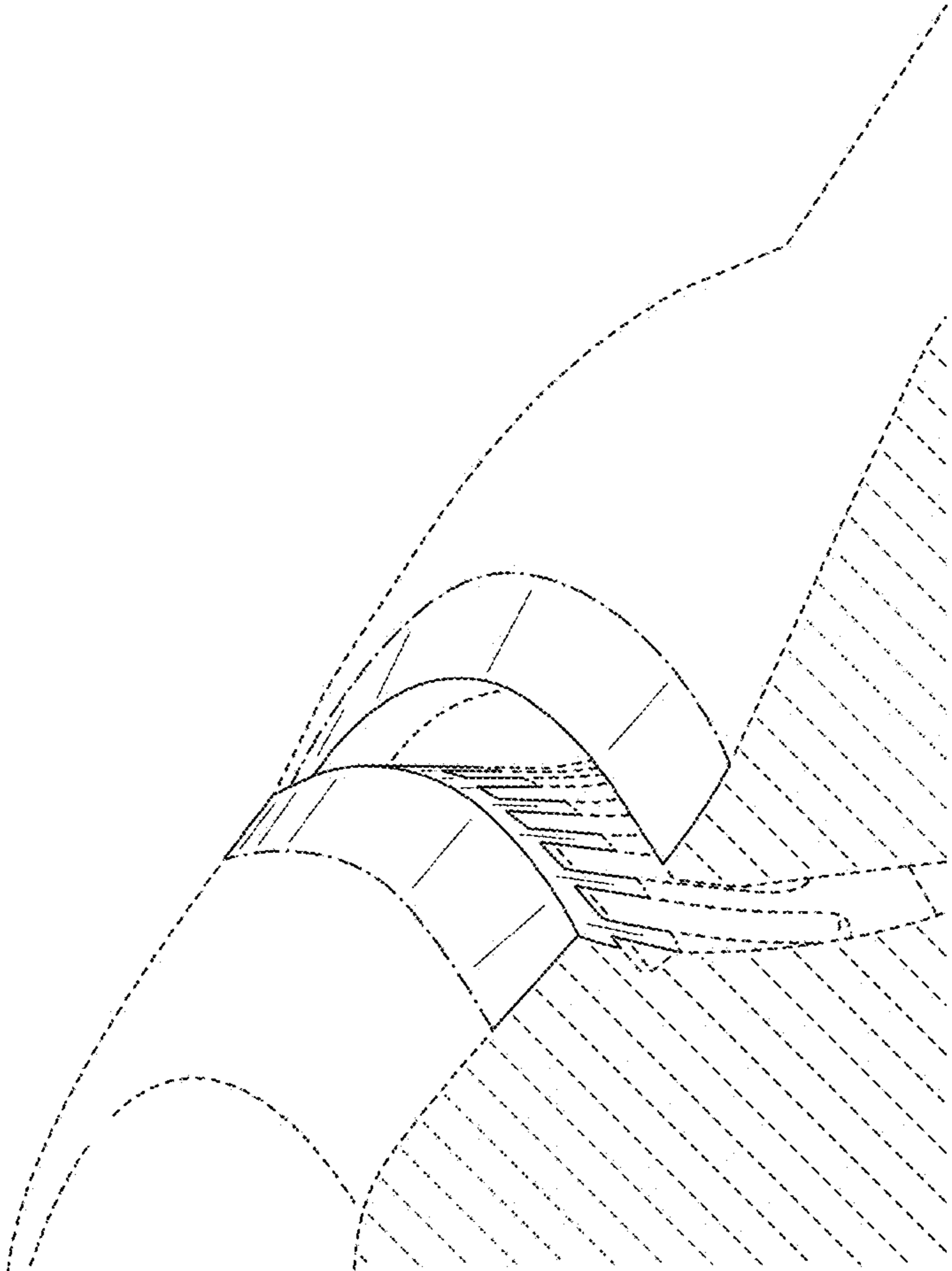


FIG. 8

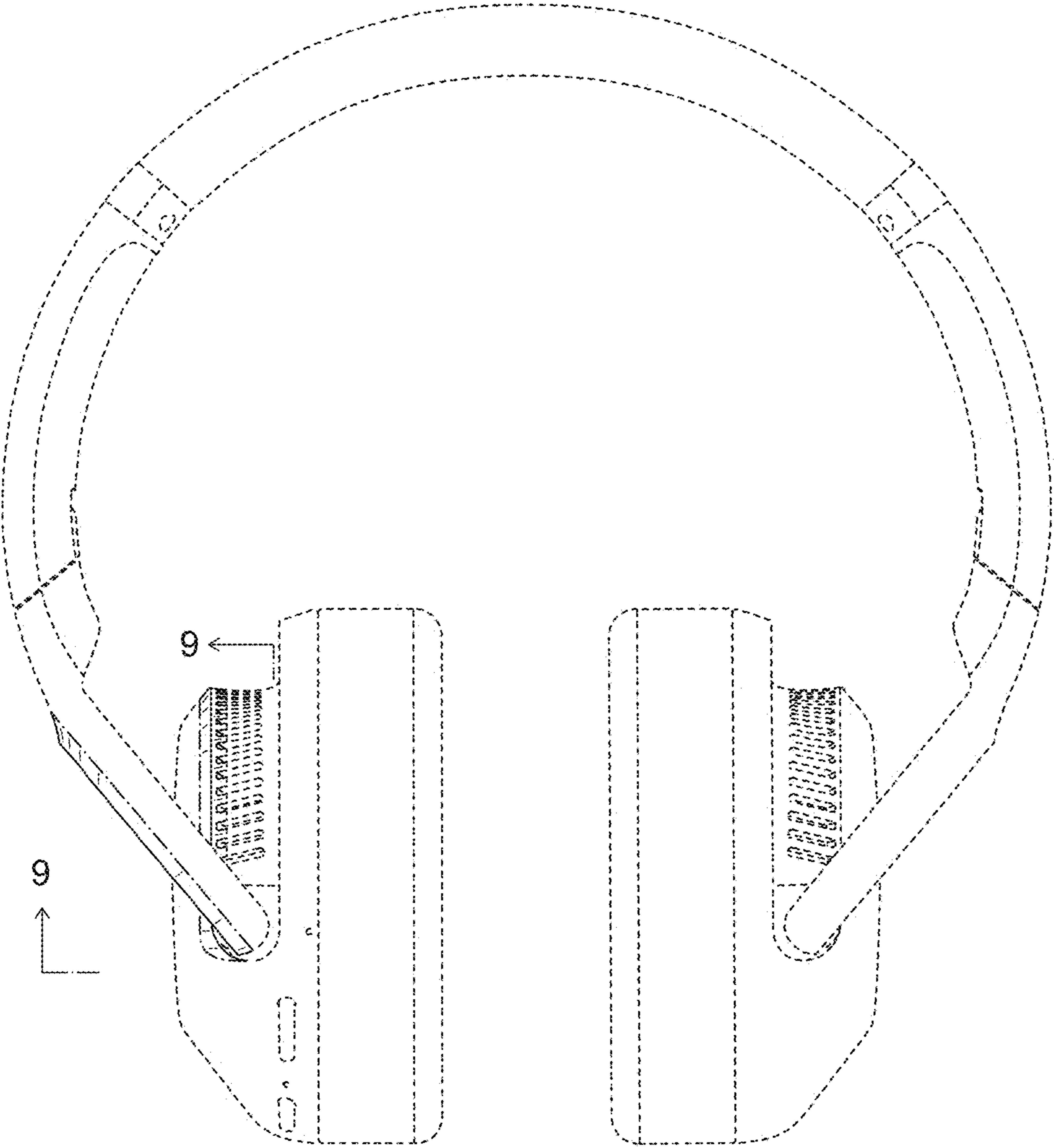


FIG. 9

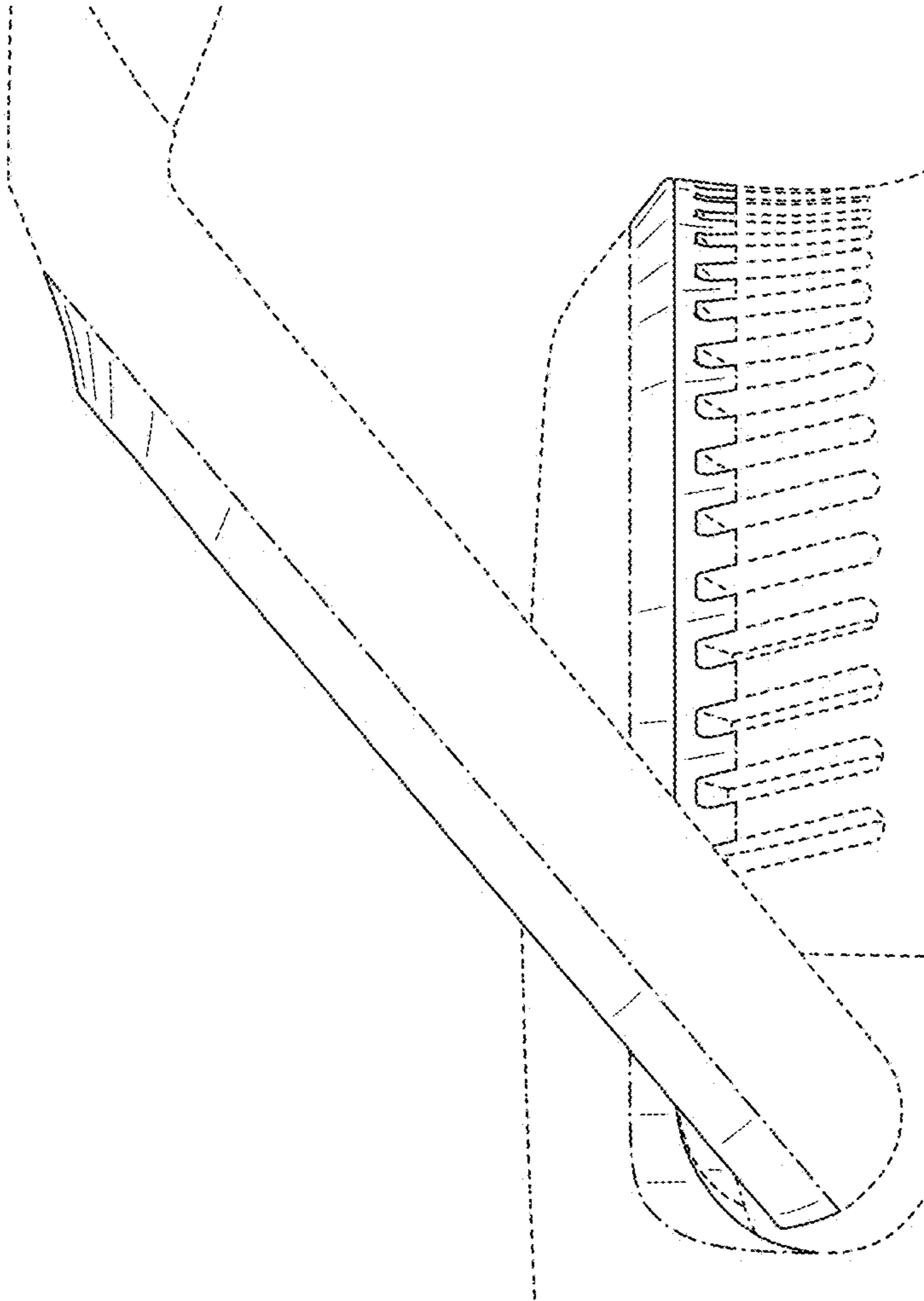


FIG. 10

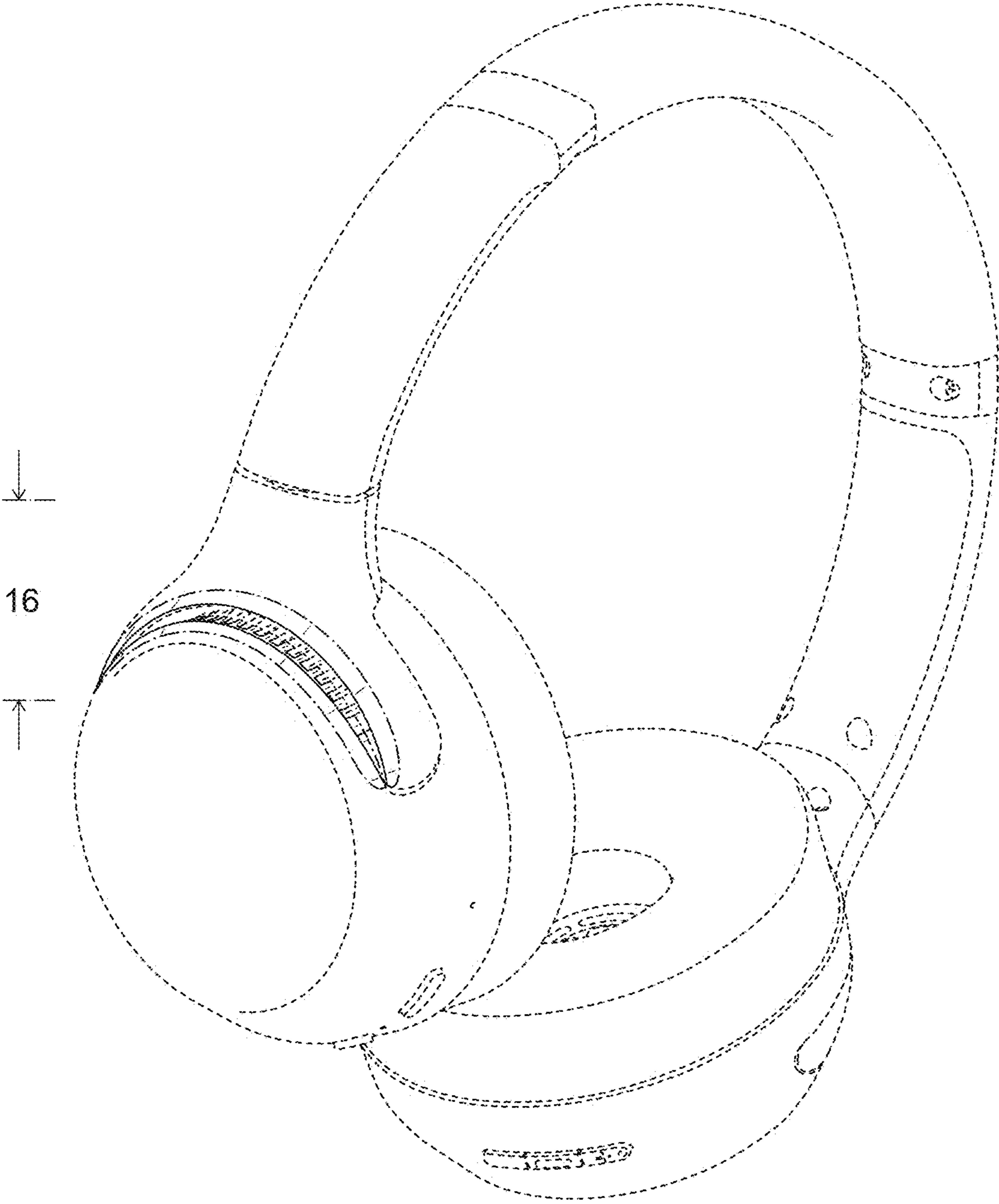


FIG. 11

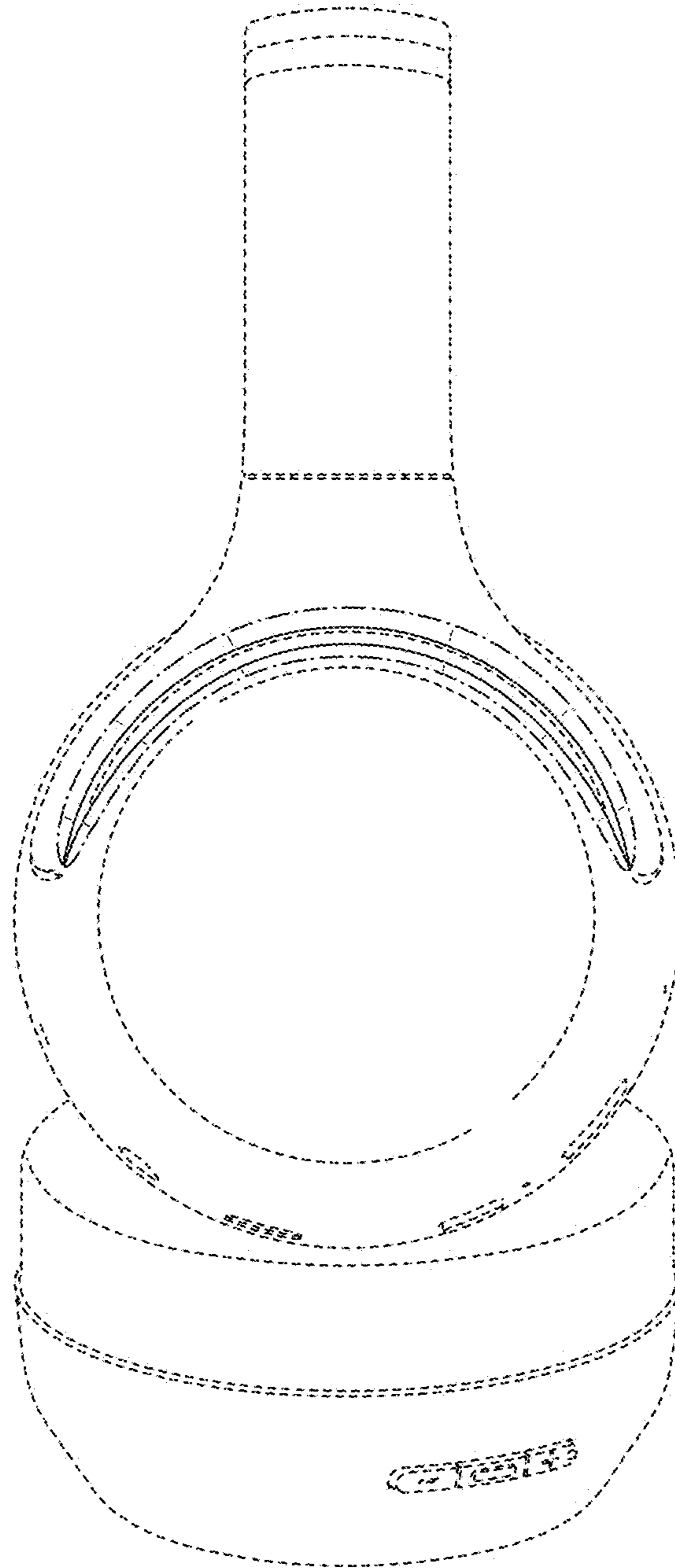


FIG. 12

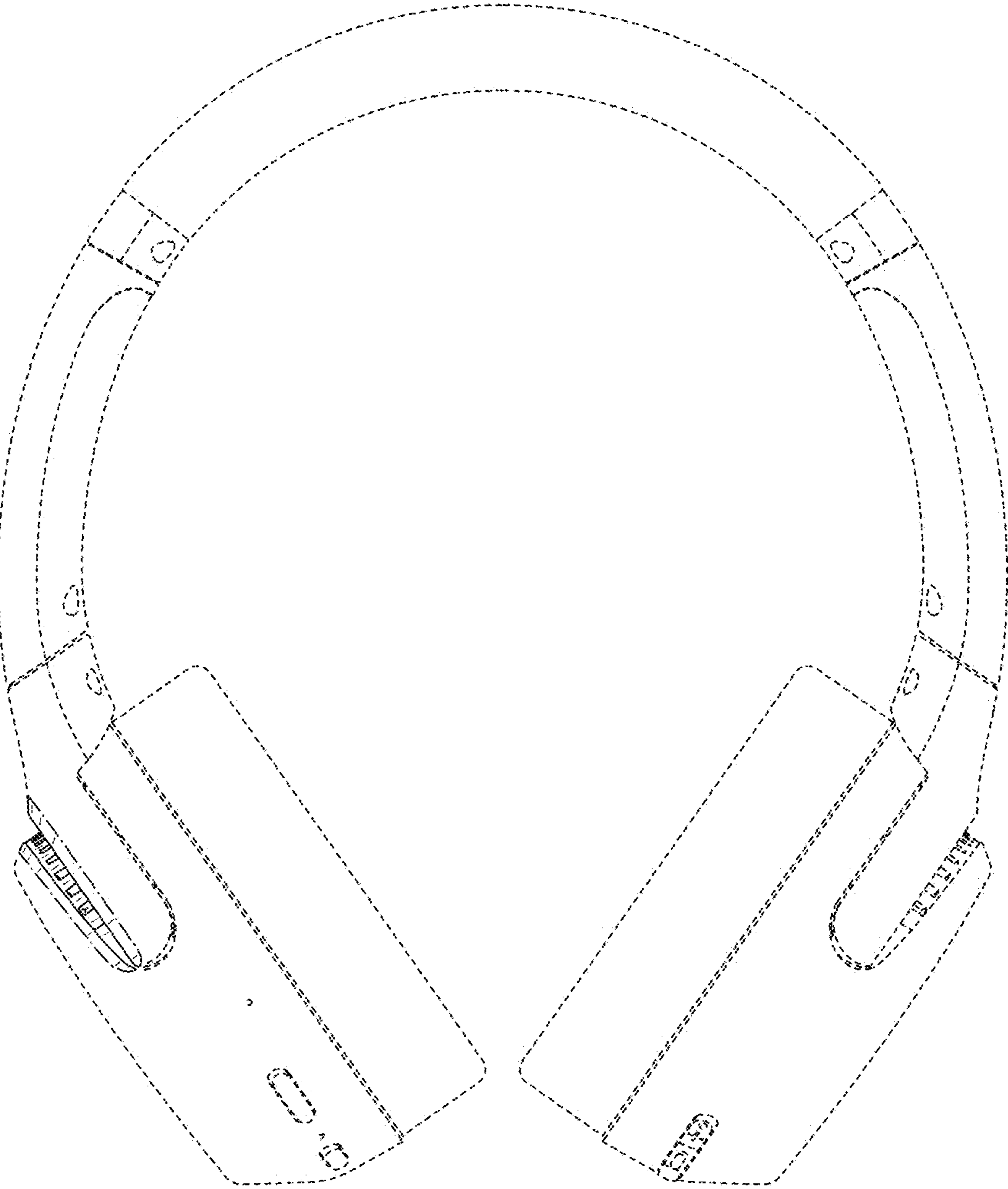


FIG. 13

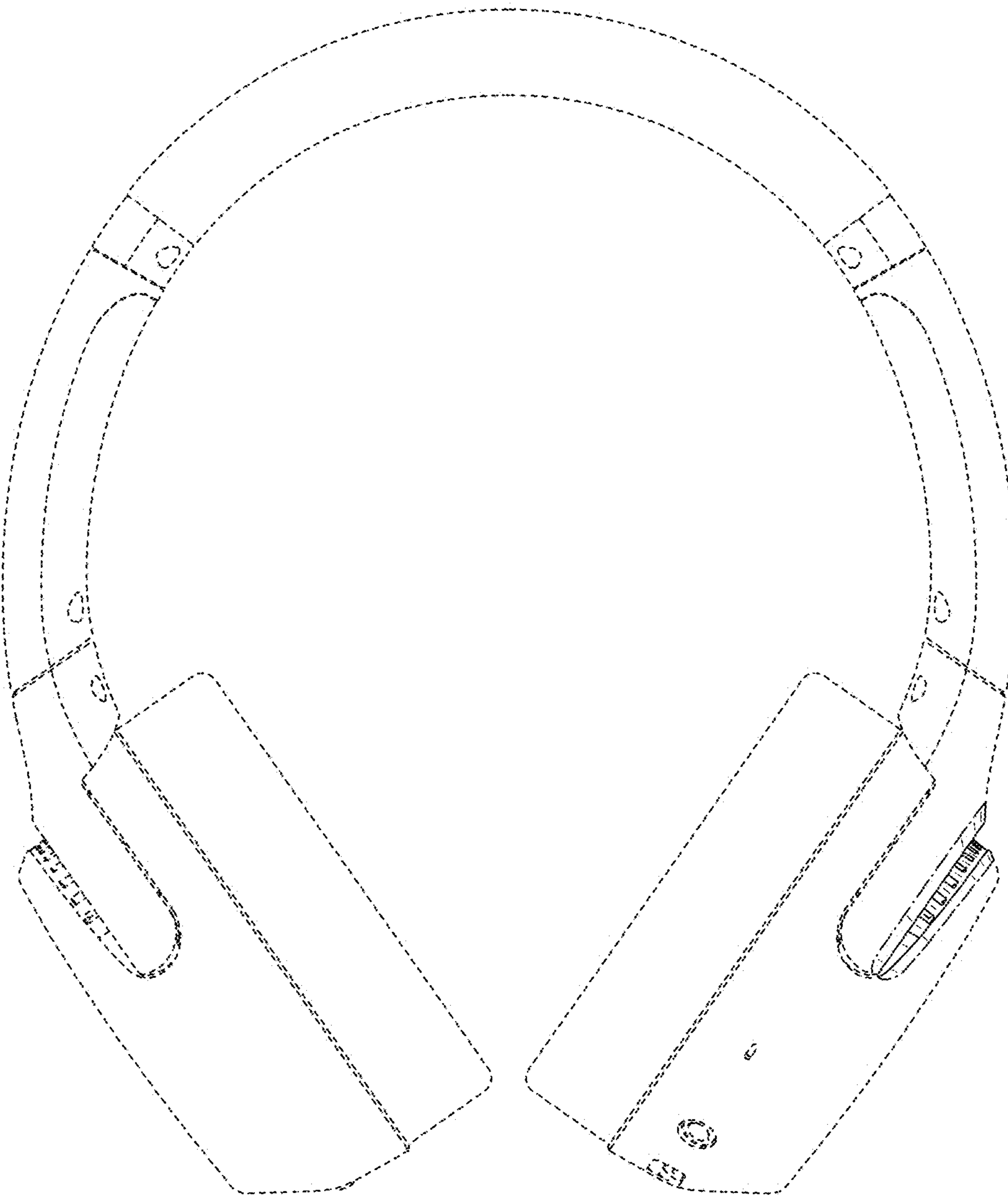


FIG. 14

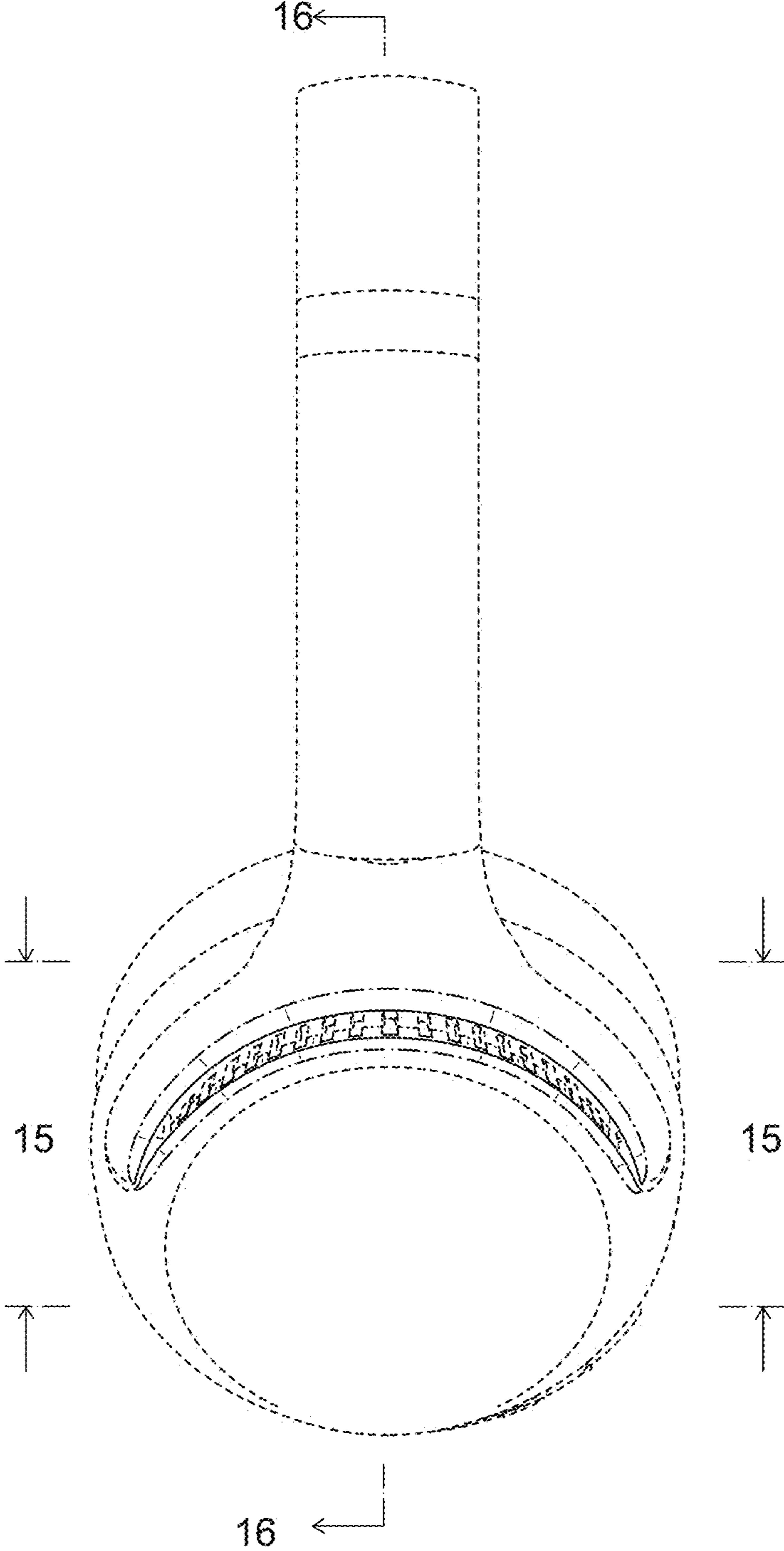


FIG. 15

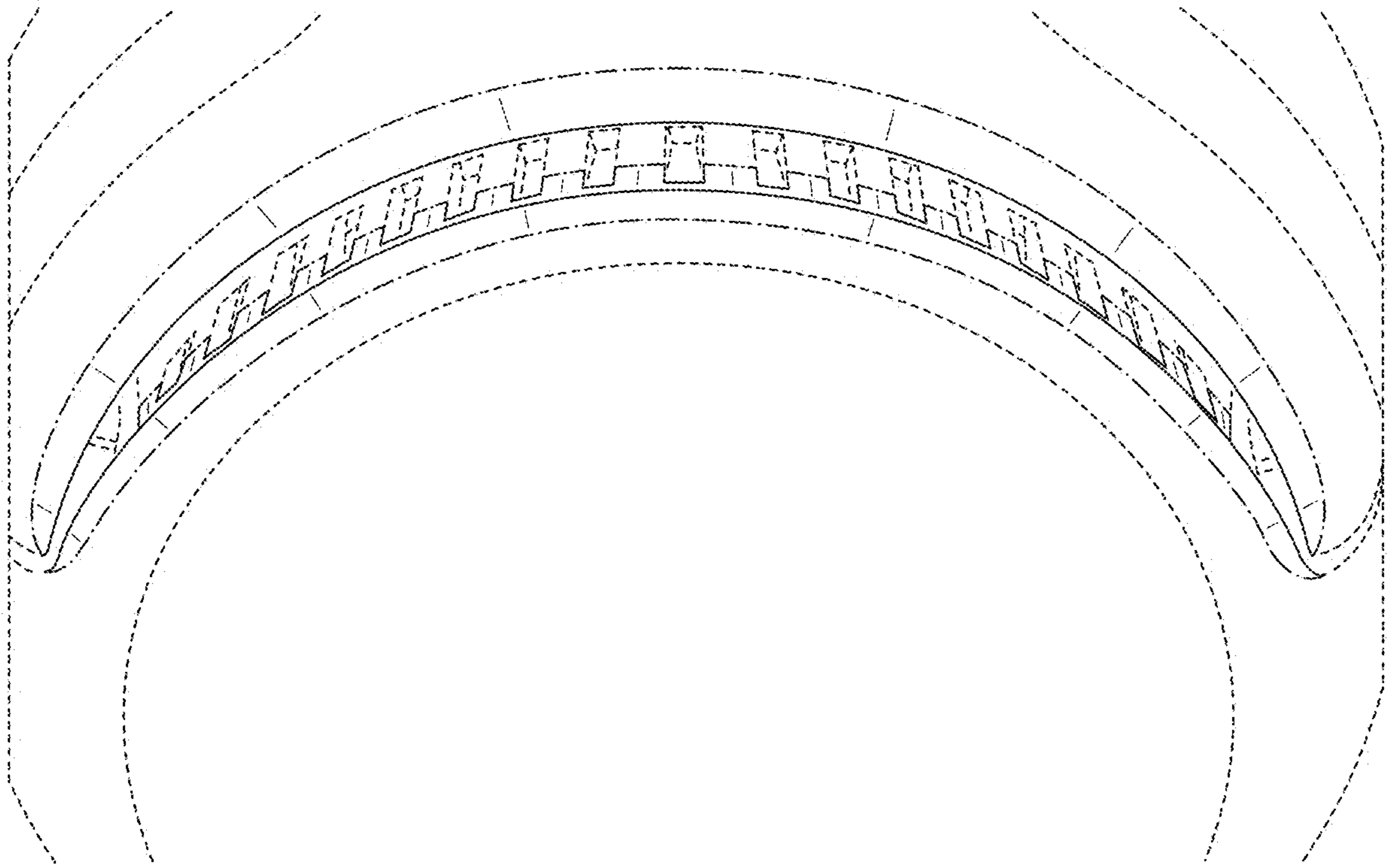


FIG. 16

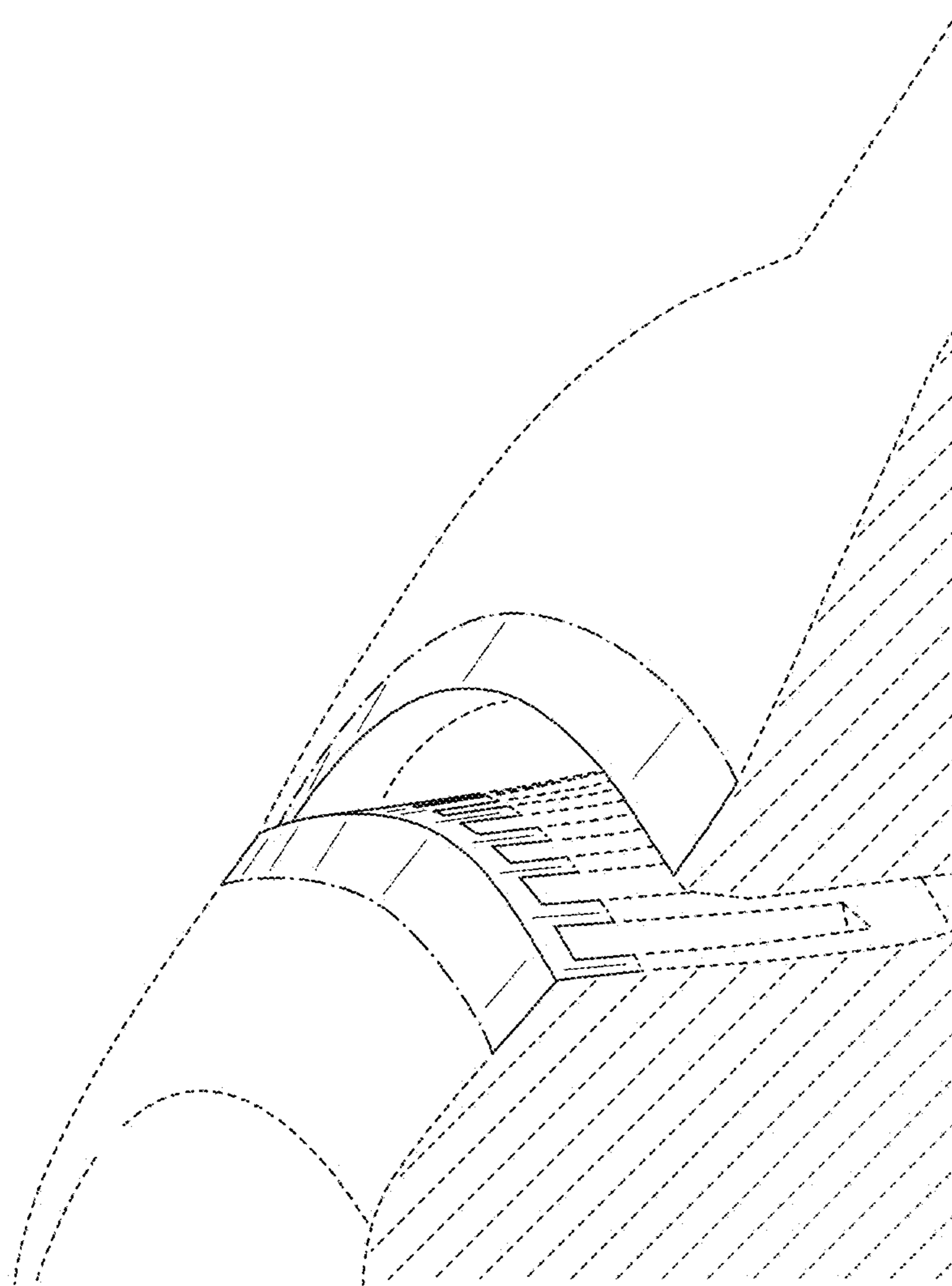


FIG. 17

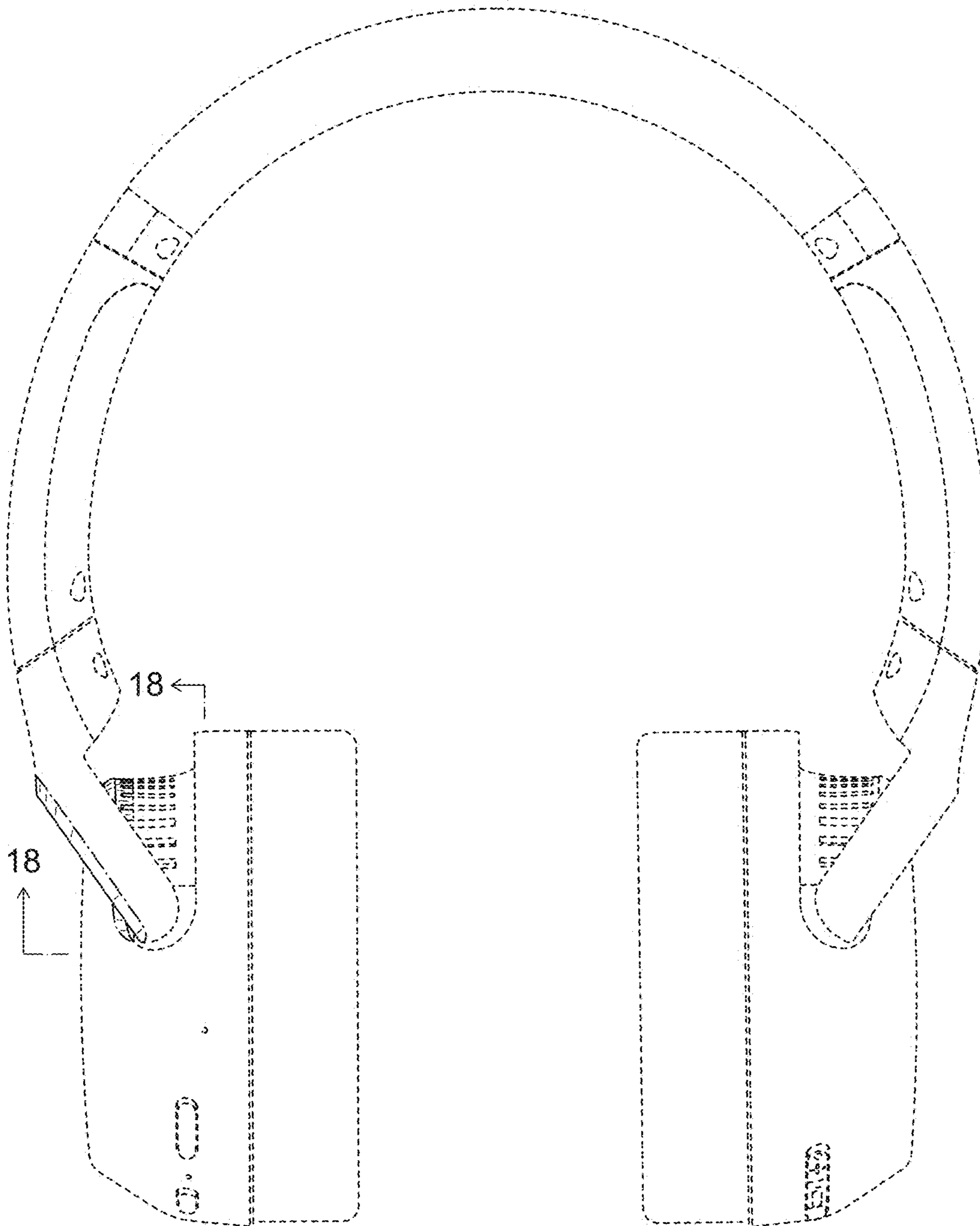


FIG. 18

