



US00D920946S

(12) **United States Design Patent** (10) **Patent No.:** **US D920,946 S**
Lee (45) **Date of Patent:** **** Jun. 1, 2021**

(54) **SPEAKER**

FOREIGN PATENT DOCUMENTS

(71) Applicant: **LG ELECTRONICS INC.**, Seoul (KR)

IN 302175-0001 * 12/2018
JP D1642412 * 9/2019
JP D1663613 * 7/2020

(72) Inventor: **Sangho Lee**, Seoul (KR)

(Continued)

(73) Assignee: **LG ELECTRONICS INC.**, Seoul (KR)

OTHER PUBLICATIONS

(**) Term: **15 Years**

LG PK7W XBOOM . . . Speaker, (c) 2019 [online], [retrieved Nov. 6, 2020], Retrieved from Internet, URL: <<https://www.amazon.com/LG-PK7W-Water-Resistant-Wireless-Bluetooth/dp/B07RMBKSY3>> (Year: 2019).*

(21) Appl. No.: **29/715,275**

(Continued)

(22) Filed: **Nov. 29, 2019**

(51) **LOC (13) Cl.** **14-01**

(52) **U.S. Cl.**

USPC **D14/204**

(58) **Field of Classification Search**

USPC D14/204–216, 155–159, 160–173, 187, D14/188, 203.1–203.8, 217–222, D14/225–229, 496

CPC H04R 1/02; H04R 1/021; H04R 1/023; H04R 5/00; H04R 9/06; H04R 2420/07

See application file for complete search history.

Primary Examiner — Barbara Fox

Assistant Examiner — Aram Kwon

(74) *Attorney, Agent, or Firm* — Birch, Stewart, Kolasch & Birch LLP

(57)

CLAIM

The ornamental design for a speaker, as shown and described.

DESCRIPTION

FIG. 1 is a front, right side, perspective view of a speaker, showing my new design;

FIG. 2 is a front view thereof;

FIG. 3 is a rear view thereof;

FIG. 4 is a left side view thereof;

FIG. 5 is a right side view thereof;

FIG. 6 is a top view thereof; and

FIG. 7 is a bottom view thereof; and,

FIG. 8 is an enlarged view of the encircled portion 8 in FIG. 2.

The evenly-dashed broken lines depict portions of the speaker that form no part of the claimed design. The long dash-dot lines showing enlargements form no part of the claimed design.

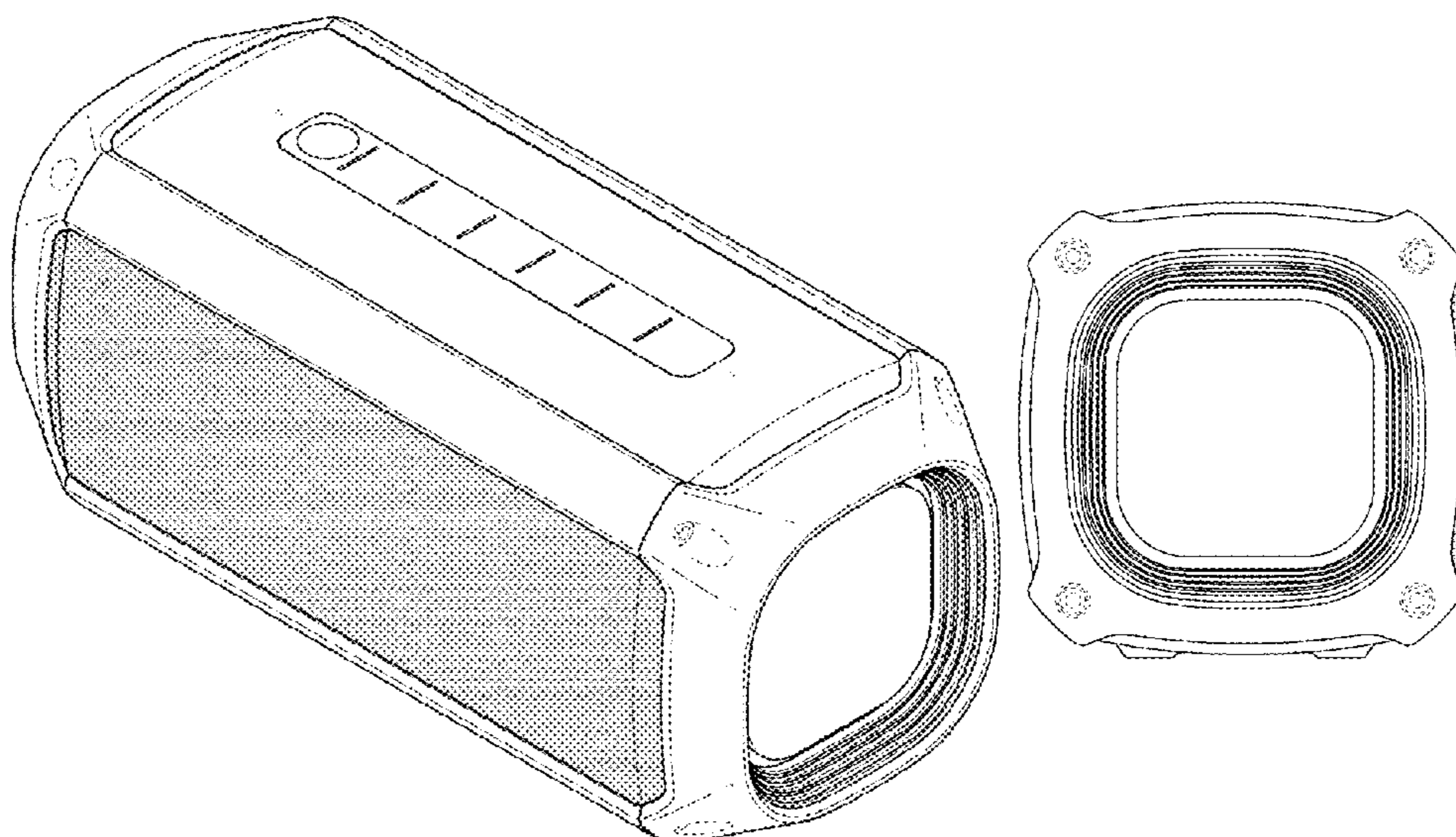
(56) **References Cited**

U.S. PATENT DOCUMENTS

D372,917 S * 8/1996 Kobayashi D14/214
8,428,290 B2 * 4/2013 Cheng H04R 1/025
381/386
D750,597 S * 3/2016 Fischer D14/216
D772,093 S * 11/2016 Kruska D10/119.1
D798,268 S * 9/2017 Fang D14/216
D845,925 S * 4/2019 Bellinghausen D14/204
D848,971 S * 5/2019 Wang D14/204
D862,409 S * 10/2019 Lee D14/204
D862,410 S * 10/2019 Lee D14/204
D863,255 S * 10/2019 Wang D14/214
D874,426 S * 2/2020 Kim D14/204
D884,676 S * 5/2020 He D14/216

(Continued)

1 Claim, 8 Drawing Sheets



(56)

References Cited

U.S. PATENT DOCUMENTS

D892,081 S * 8/2020 Waterman D14/216
D897,310 S * 9/2020 Wu D14/214

FOREIGN PATENT DOCUMENTS

KR 300942074.0000 * 1/2018
KR 300957590.0000 * 5/2018
KR 301034067.0000 * 11/2019
KR 301066150.0000 * 7/2020
KR 301066156.0000 * 7/2020
RU 00110915 * 9/2018
WO WOD099744-001 * 8/2018
WO WOD099890-001 * 8/2018
WO WOD100383-002 * 8/2018
WO WOD100383-005 * 8/2018
WO WOD200865-001 * 8/2019

OTHER PUBLICATIONS

LG PK3 Portable Bluetooth Speaker, review date Sep. 30, 2018
[online], [retrieved Nov. 6, 2020], Retrieved from Internet, URL:
<https://www.bhphotovideo.com/c/product/1395129-REG/lg_pk3_portable_bluetooth_speaker.html> (Year: 2018).*

* cited by examiner

FIG. 1

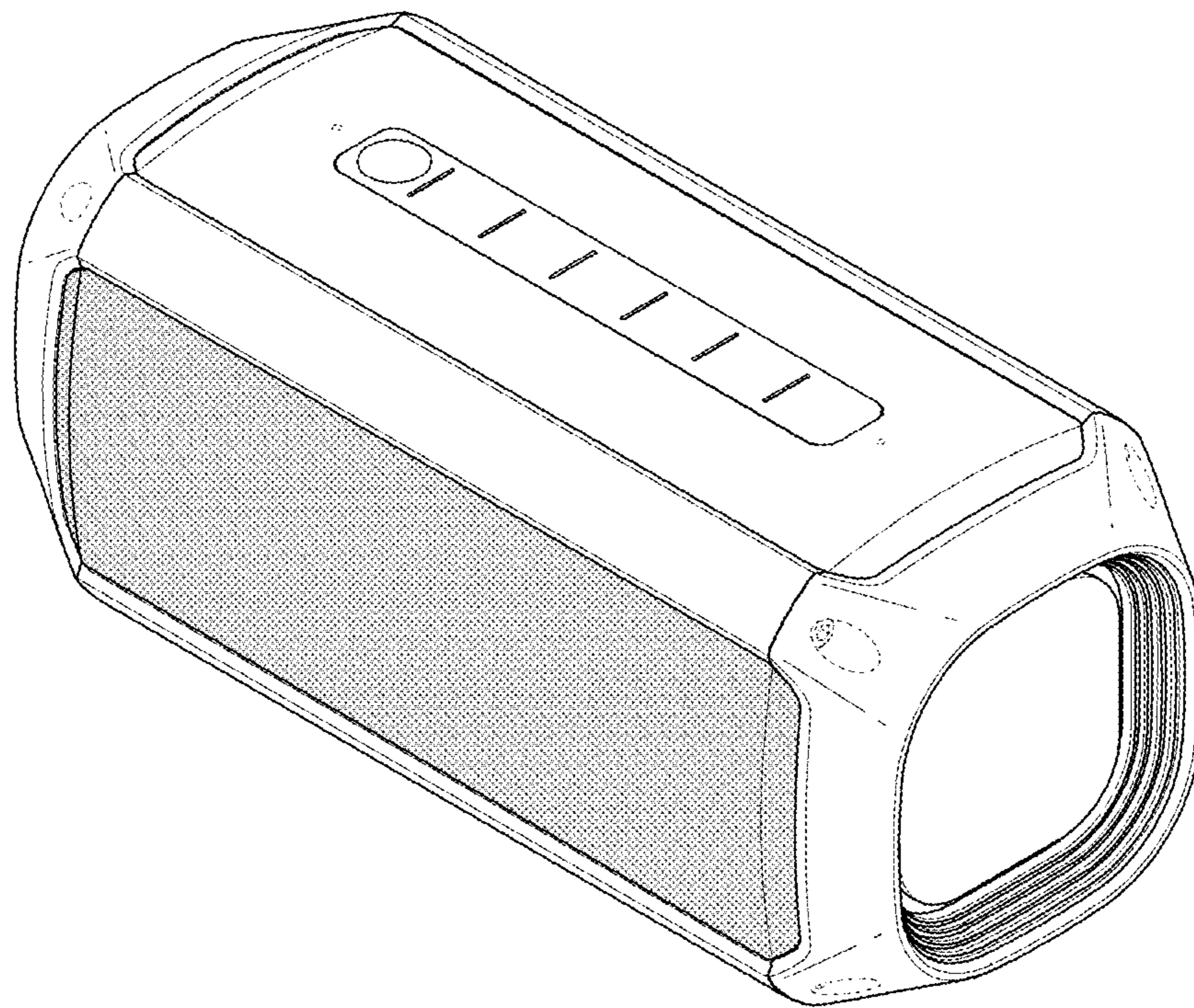


FIG. 2

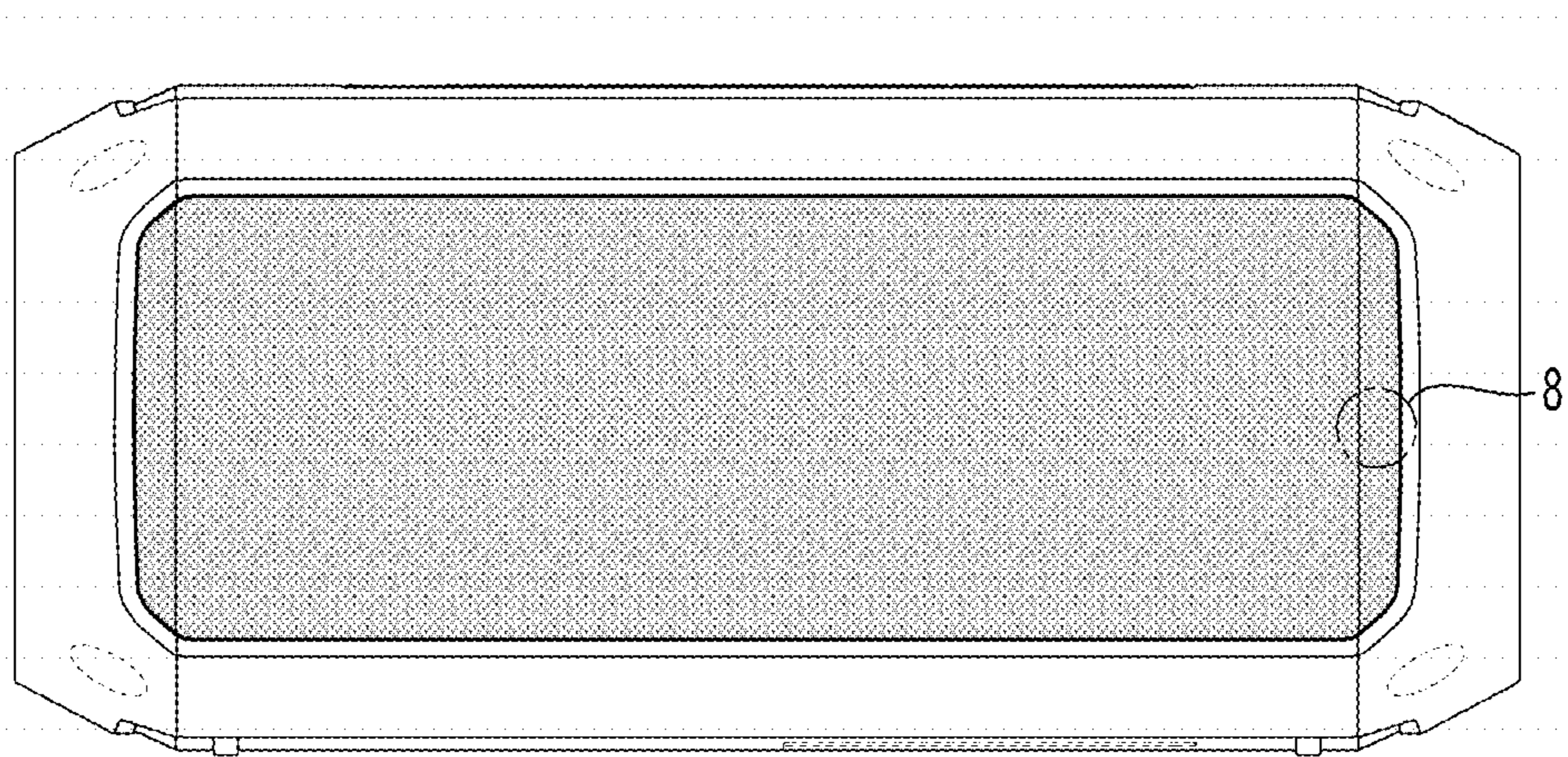


FIG. 3

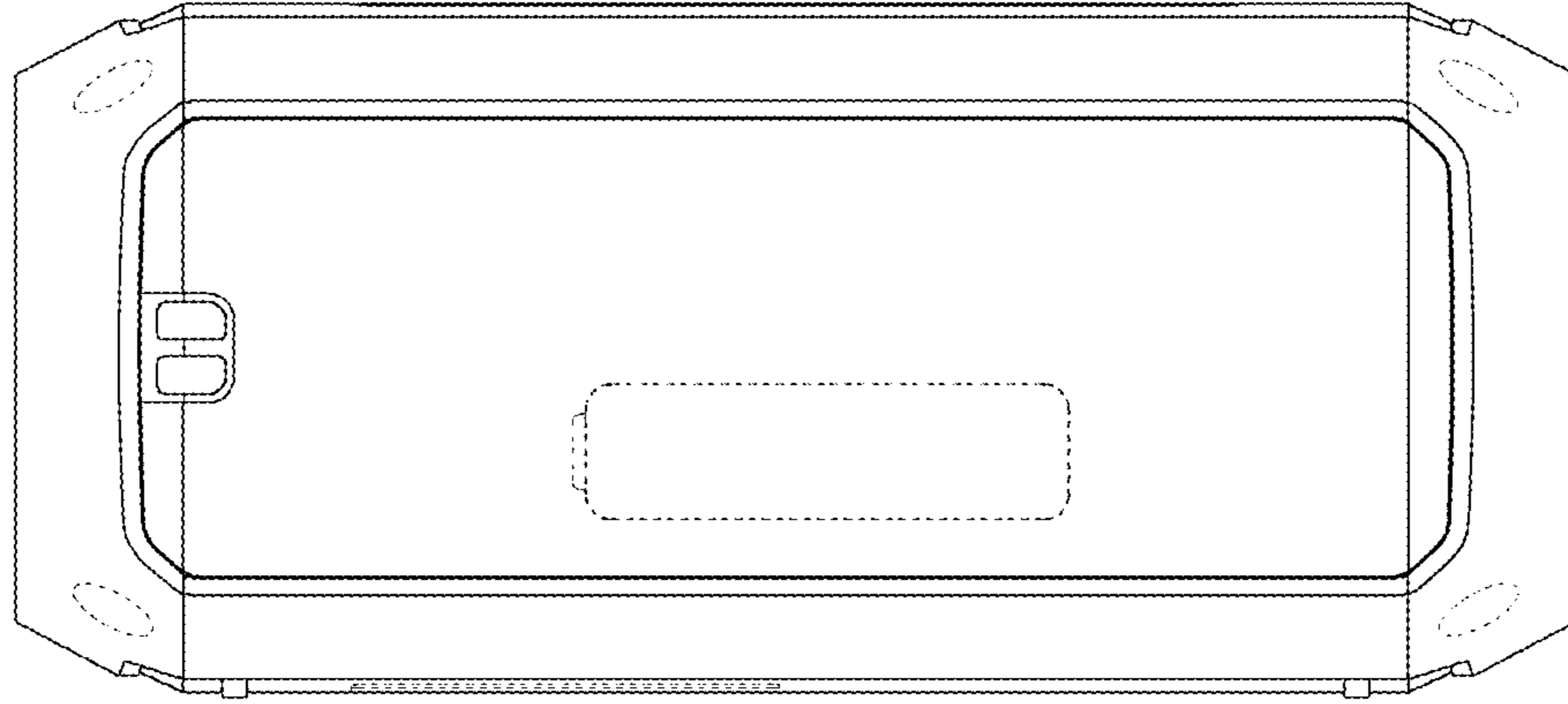


FIG. 4

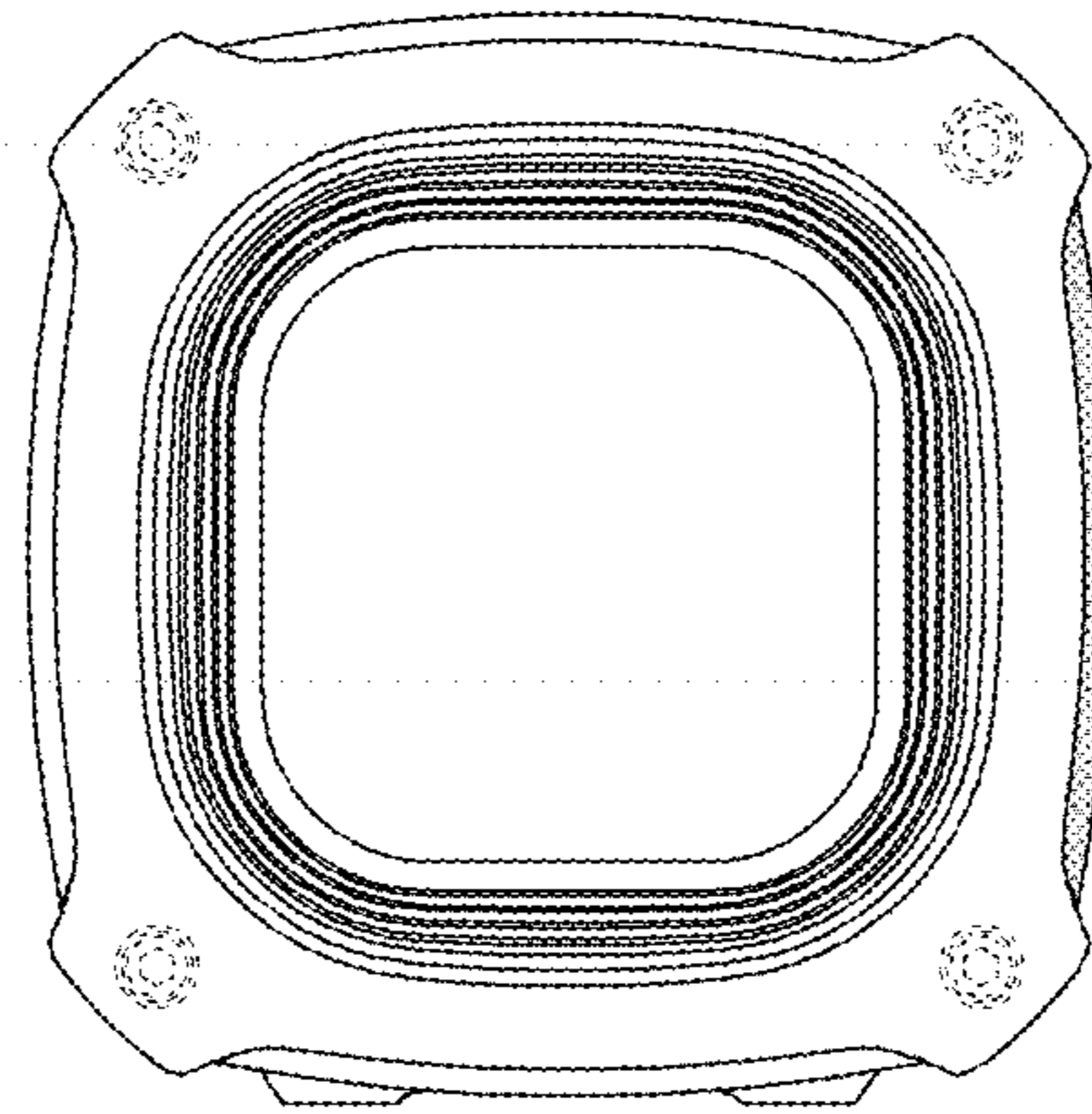


FIG. 5

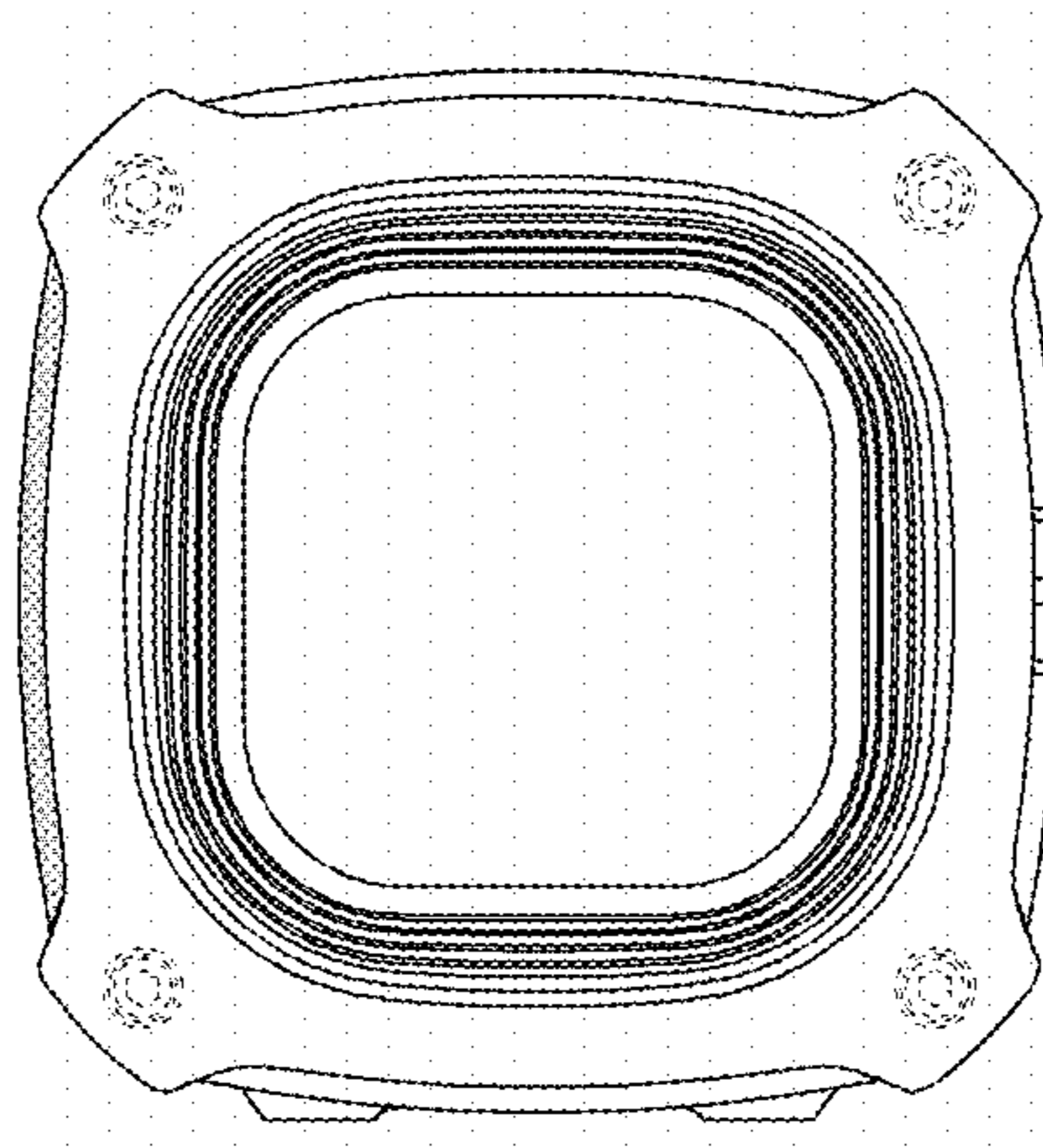


FIG. 6

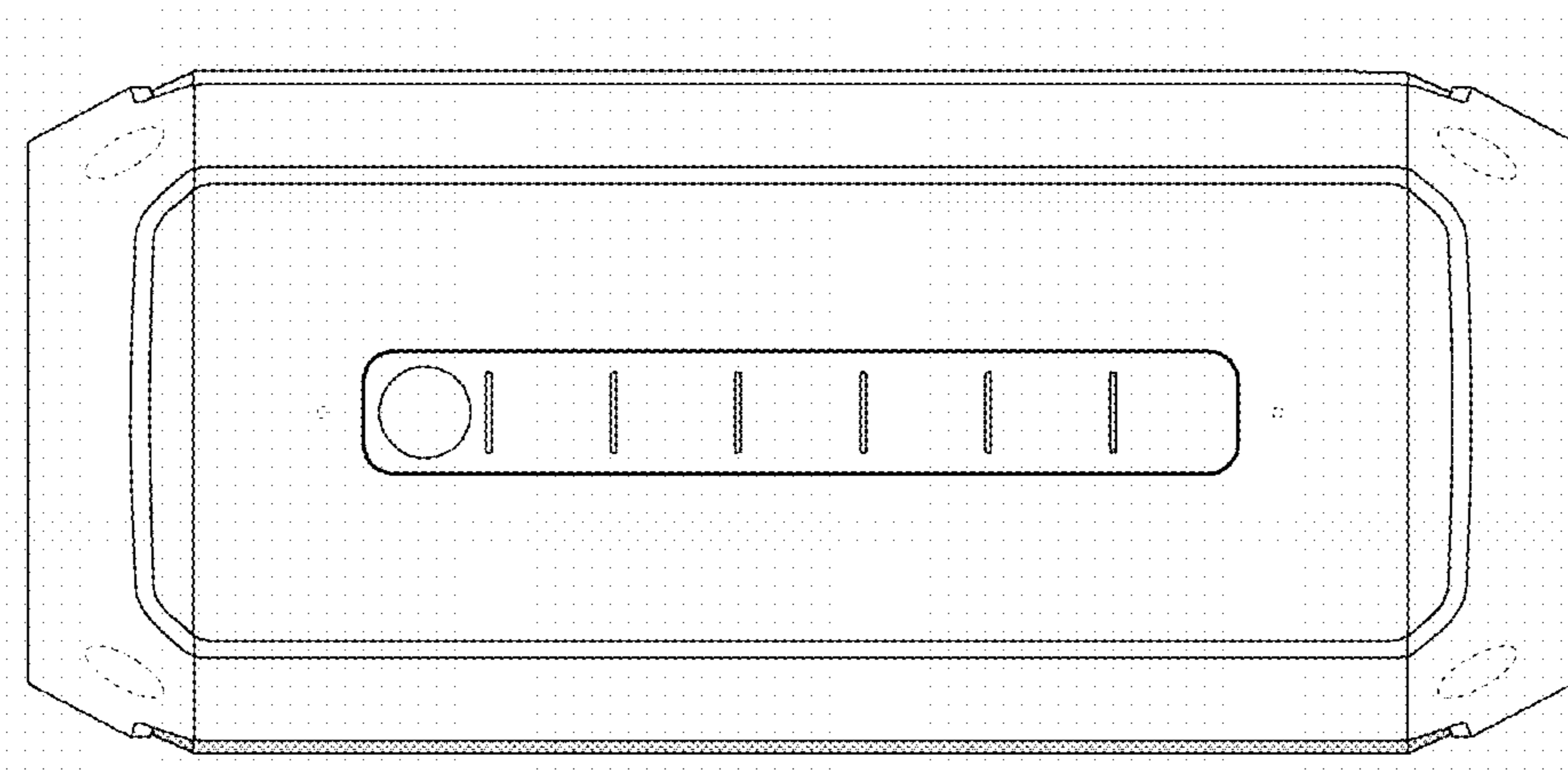


FIG. 7

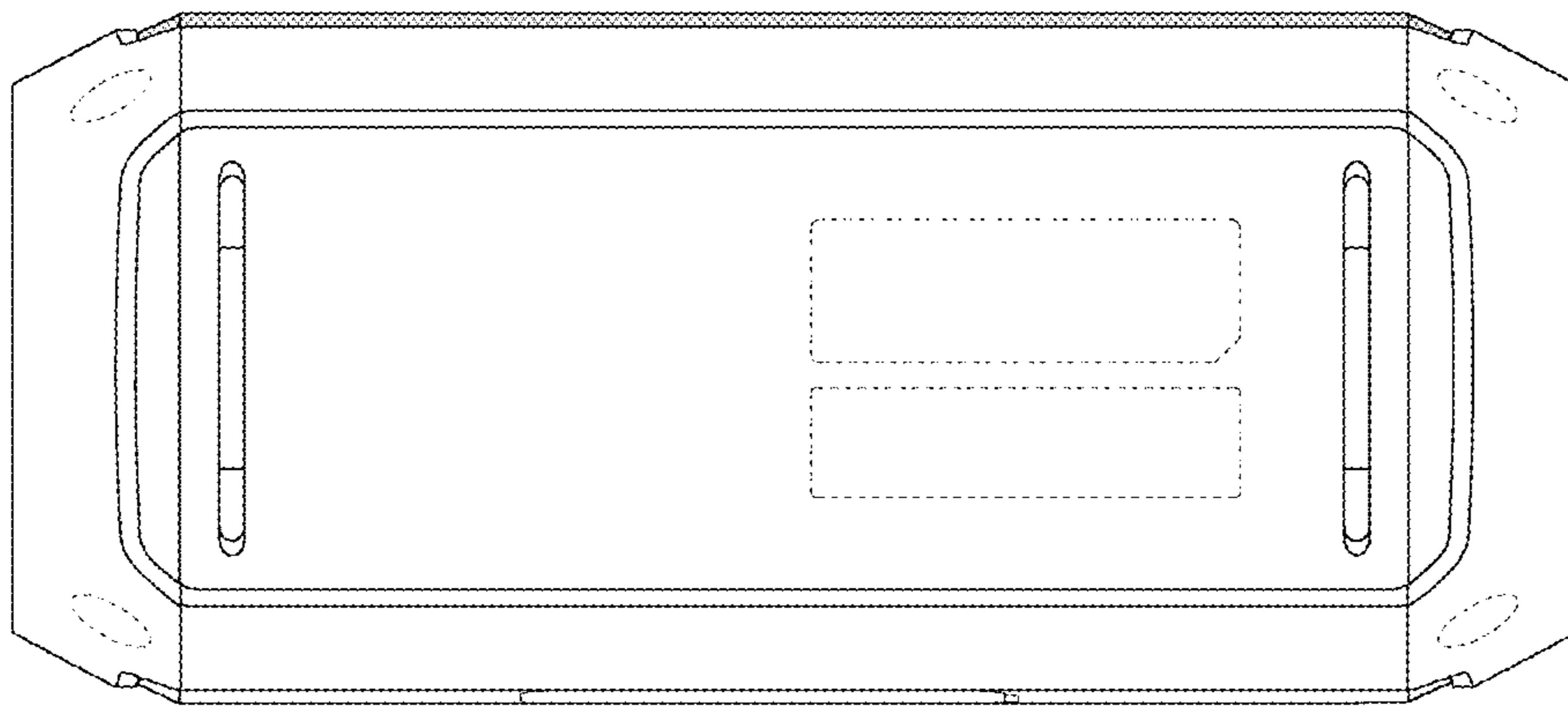


FIG. 8

