



US00D920945S

(12) **United States Design Patent**
Chan

(10) **Patent No.:** **US D920,945 S**

(45) **Date of Patent:** **** Jun. 1, 2021**

(54) **SPEAKER**

(71) Applicant: **KYE SYSTEMS CORP.**, New Taipei (TW)

(72) Inventor: **Chi-Wai Chan**, New Taipei (TW)

(73) Assignee: **KYE SYSTEMS CORP.**, New Taipei (TW)

(**) Term: **15 Years**

(21) Appl. No.: **29/701,991**

(22) Filed: **Aug. 15, 2019**

(51) **LOC (13) Cl.** **14-01**

(52) **U.S. Cl.**
USPC **D14/204**

(58) **Field of Classification Search**
USPC D14/170-172, 188, 203.1, 203.3, 204, D14/348
CPC . H04R 1/02; H04R 1/023; H04R 5/02; H04R 7/00; H04R 7/02; H04R 9/06; H04R 2400/00

See application file for complete search history.

(56) **References Cited**

U.S. PATENT DOCUMENTS

D378,371 S * 3/1997 Mak D14/194
D396,721 S * 8/1998 Naganoma D14/195
D415,159 S * 10/1999 Nakano D14/215

D450,049 S * 11/2001 Lacotta D14/171
D491,913 S * 6/2004 Chan D14/168
D517,519 S * 3/2006 Skulley D13/108
D600,569 S * 9/2009 Sadler D10/15
D672,335 S * 12/2012 Yu D14/215
D800,687 S * 10/2017 Kim D14/204
D813,192 S * 3/2018 Zeng D14/204

* cited by examiner

Primary Examiner — Janice Patyk

(74) *Attorney, Agent, or Firm* — Maschoff Brennan

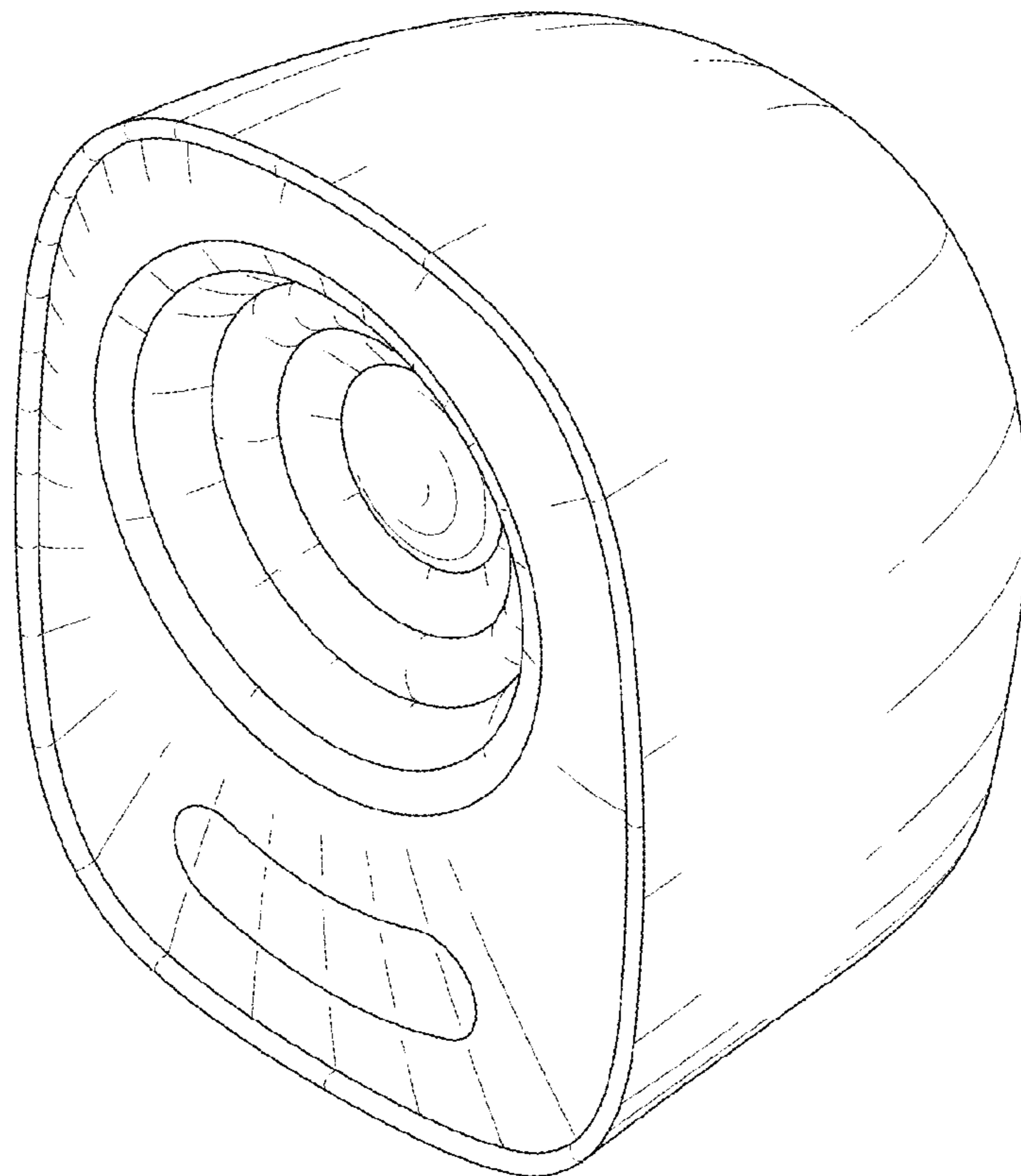
(57) **CLAIM**

The ornamental design for a speaker, as shown and described.

DESCRIPTION

FIG. 1 is a top, front and right side perspective view of a speaker showing my new design;
FIG. 2 is a bottom, rear and left side perspective view thereof;
FIG. 3 is a front view thereof;
FIG. 4 is a rear view thereof;
FIG. 5 is a left side view thereof;
FIG. 6 is a right side view thereof;
FIG. 7 is a top view thereof;
FIG. 8 is a bottom view thereof; and,
FIG. 9 is a top, front and right side perspective view thereof, shown in environmental use.
The broken lines in FIG. 9 illustrate environmental subject matter that form no part of the claimed design.

1 Claim, 9 Drawing Sheets



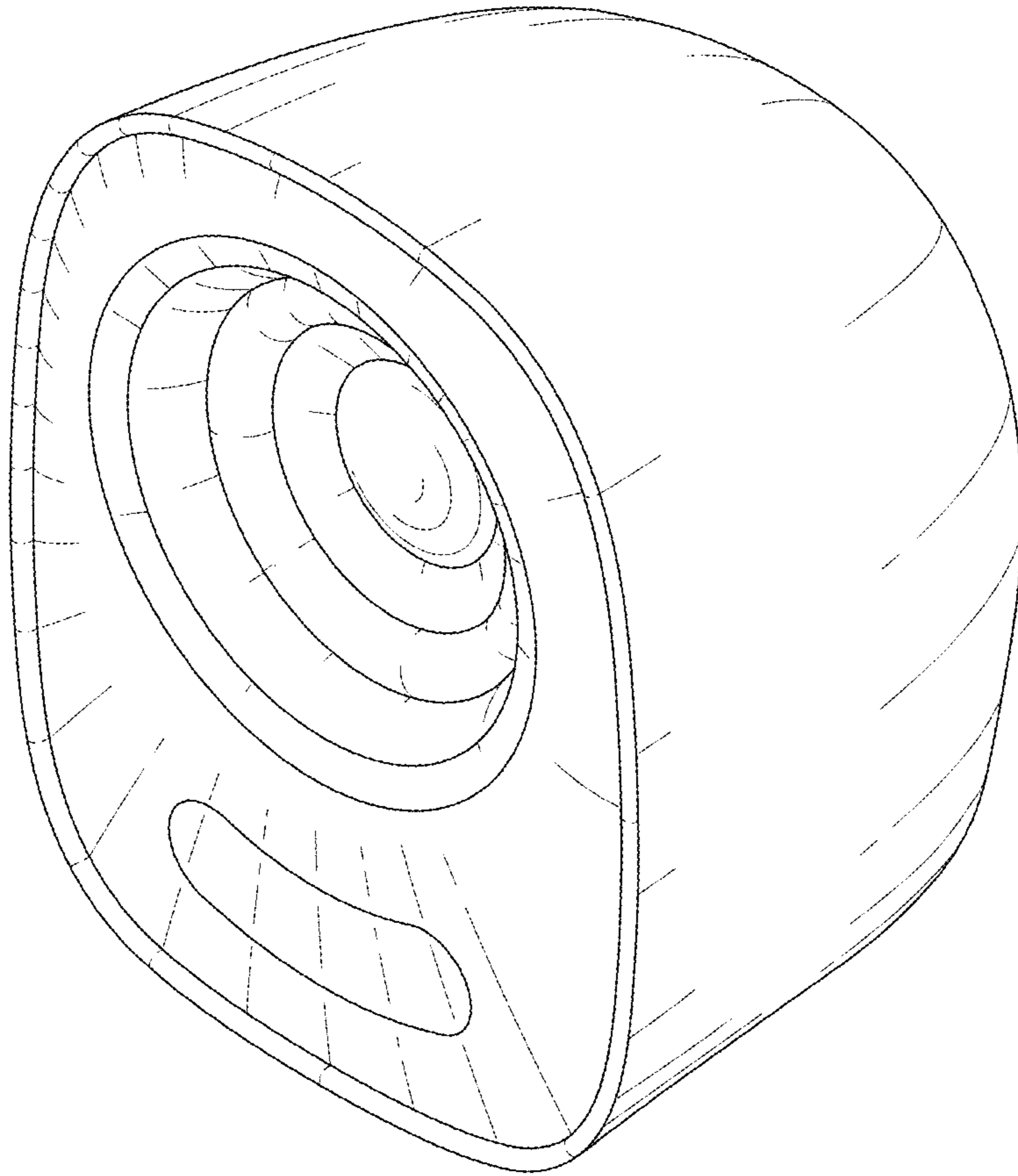


FIG. 1

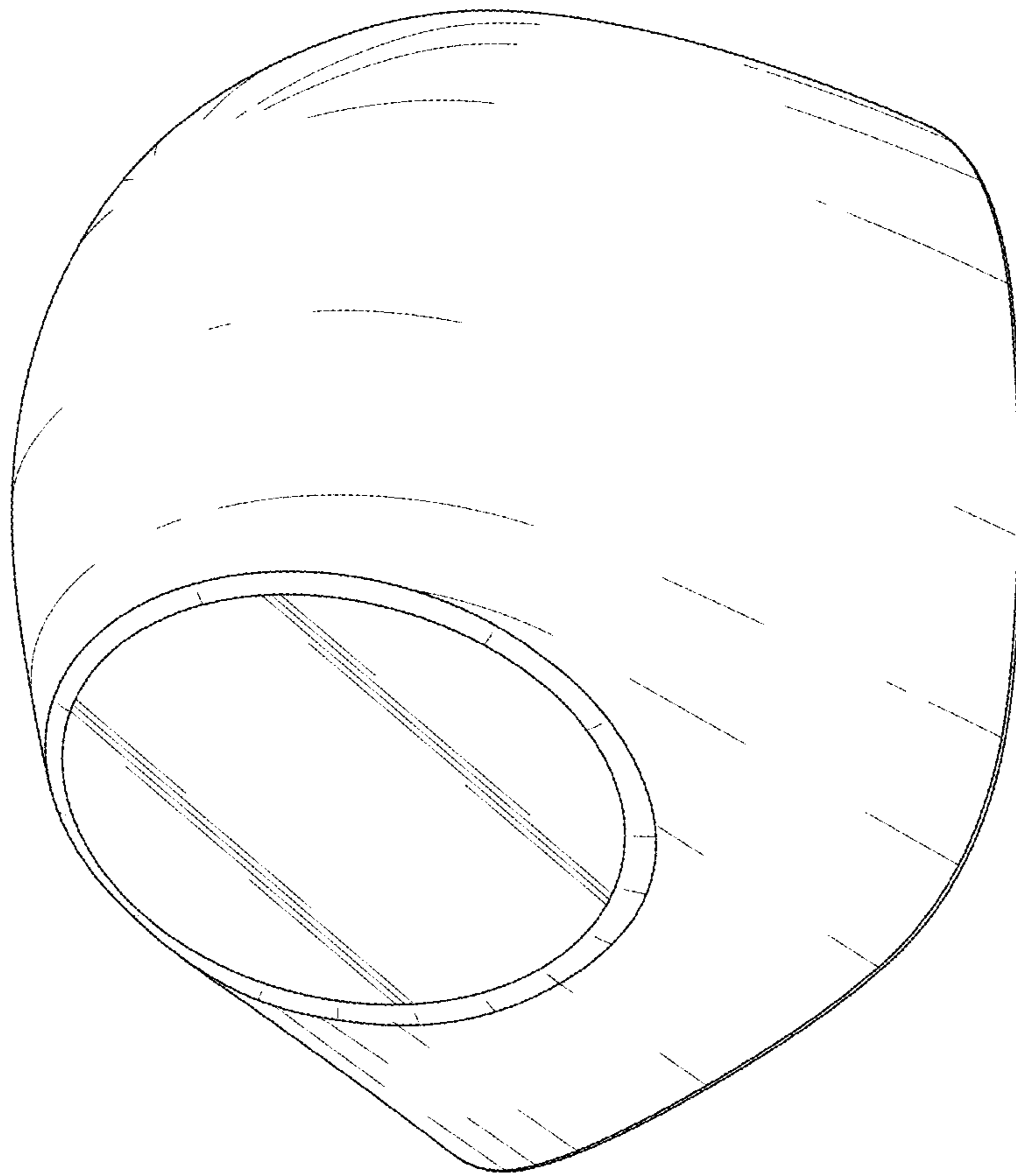


FIG. 2

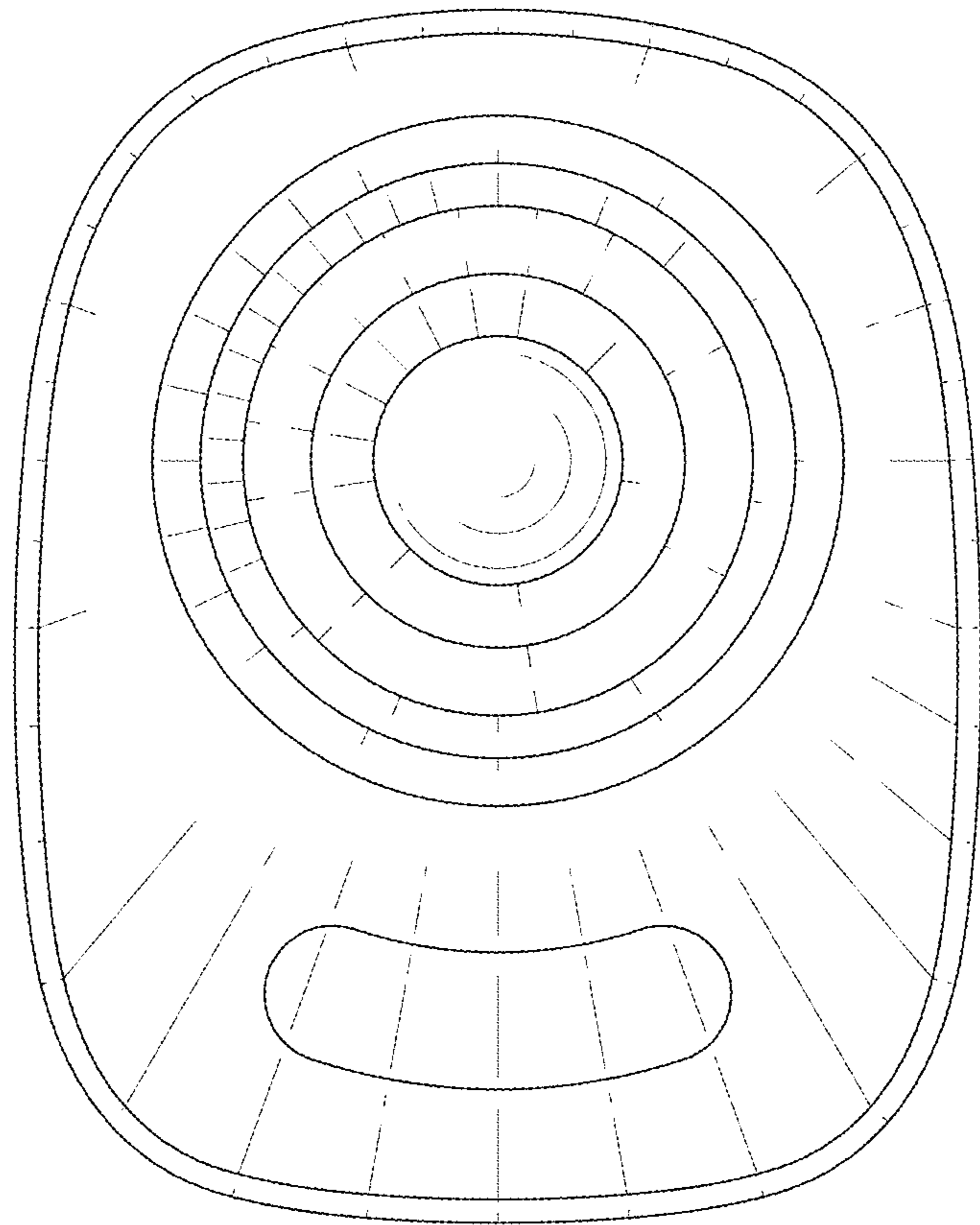


FIG. 3

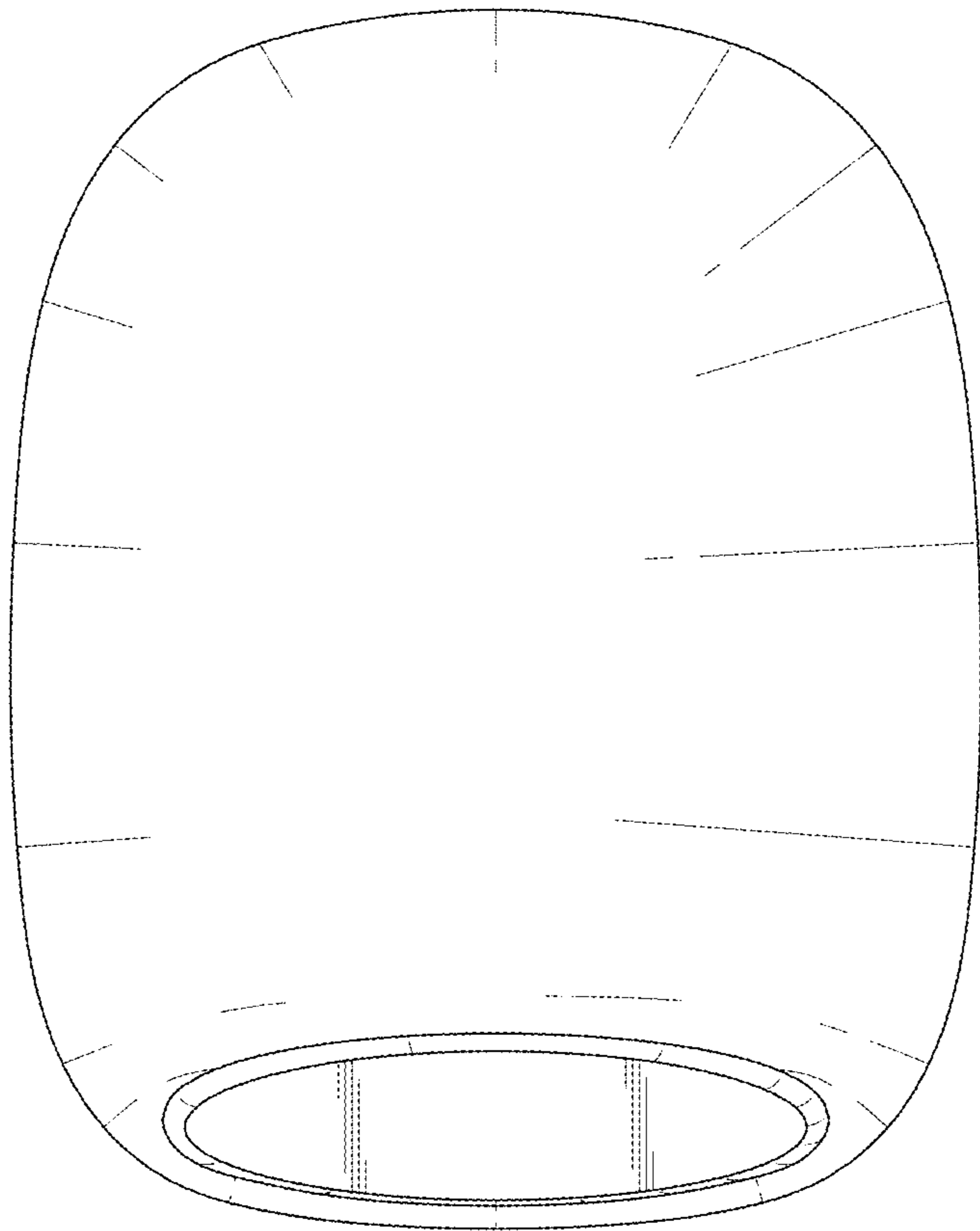


FIG. 4

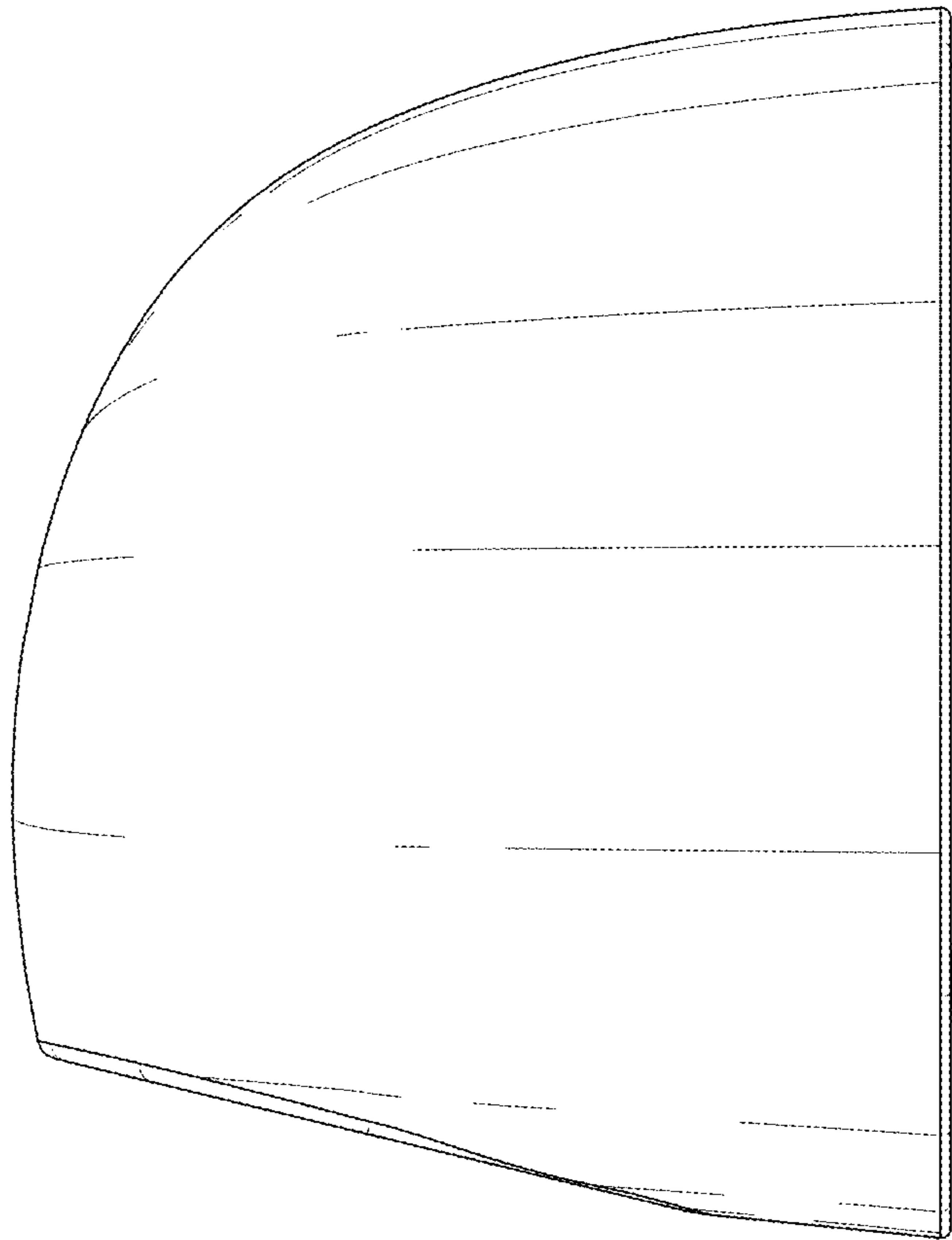


FIG. 5

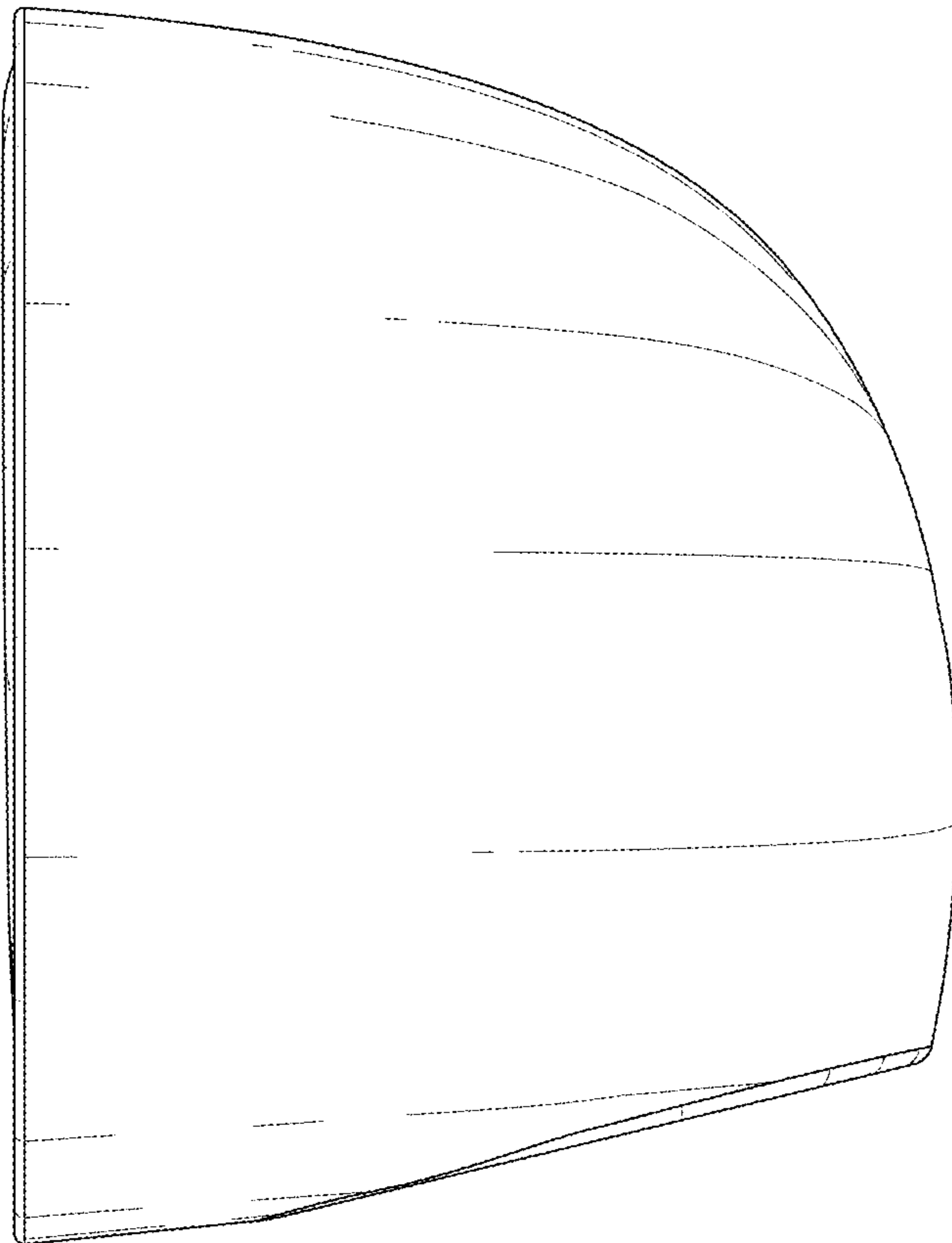


FIG. 6

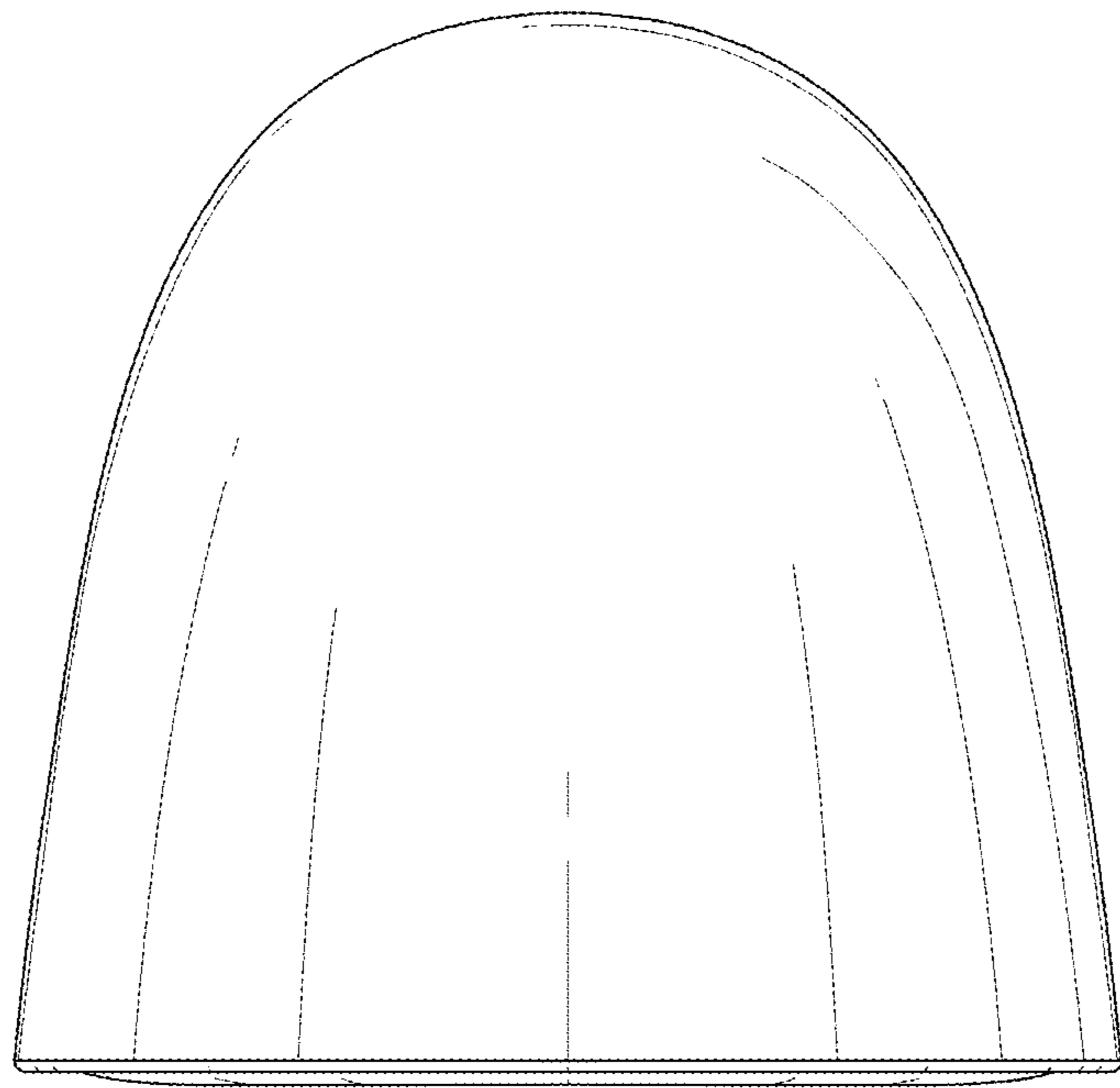


FIG. 7

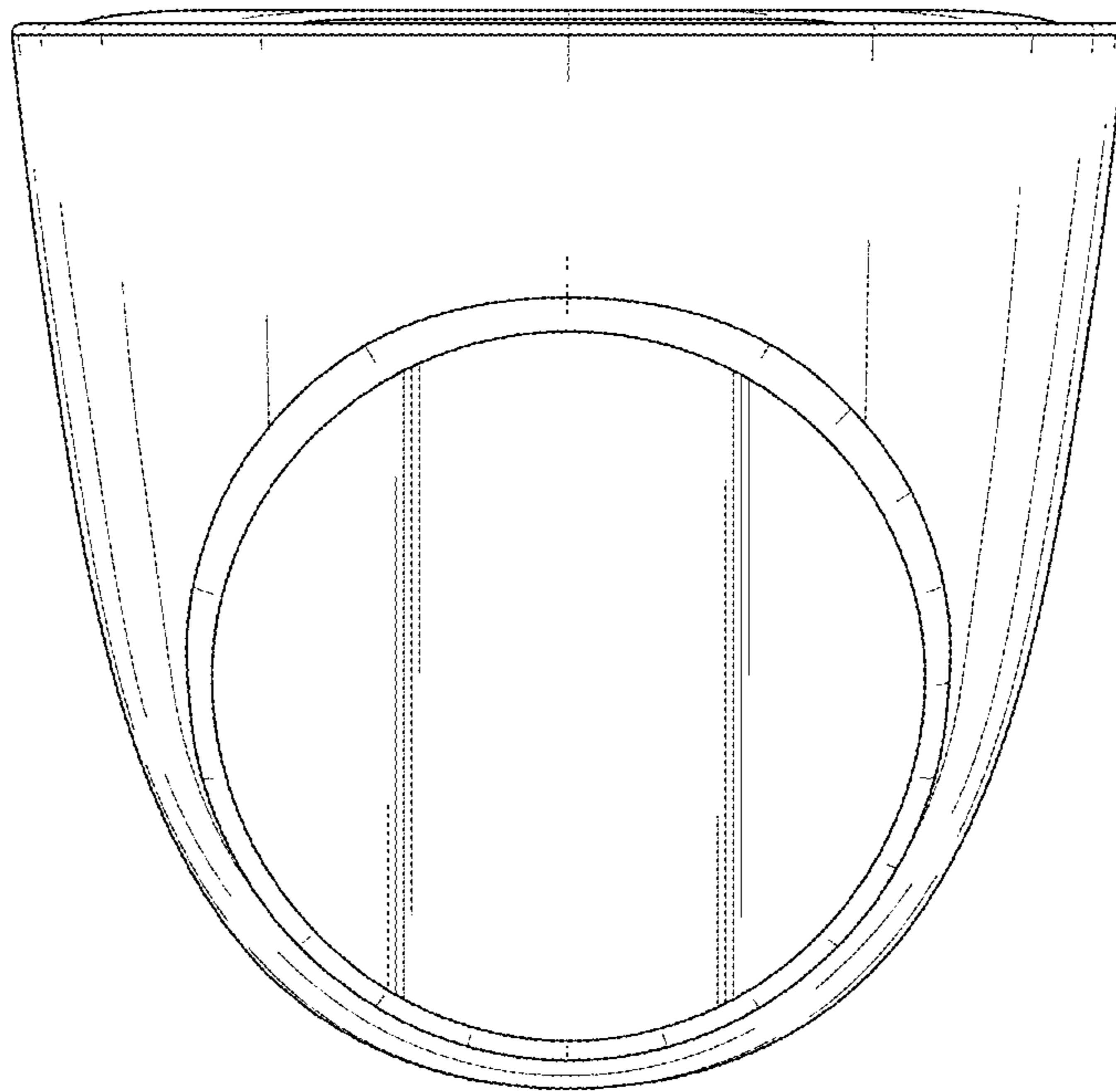


FIG. 8

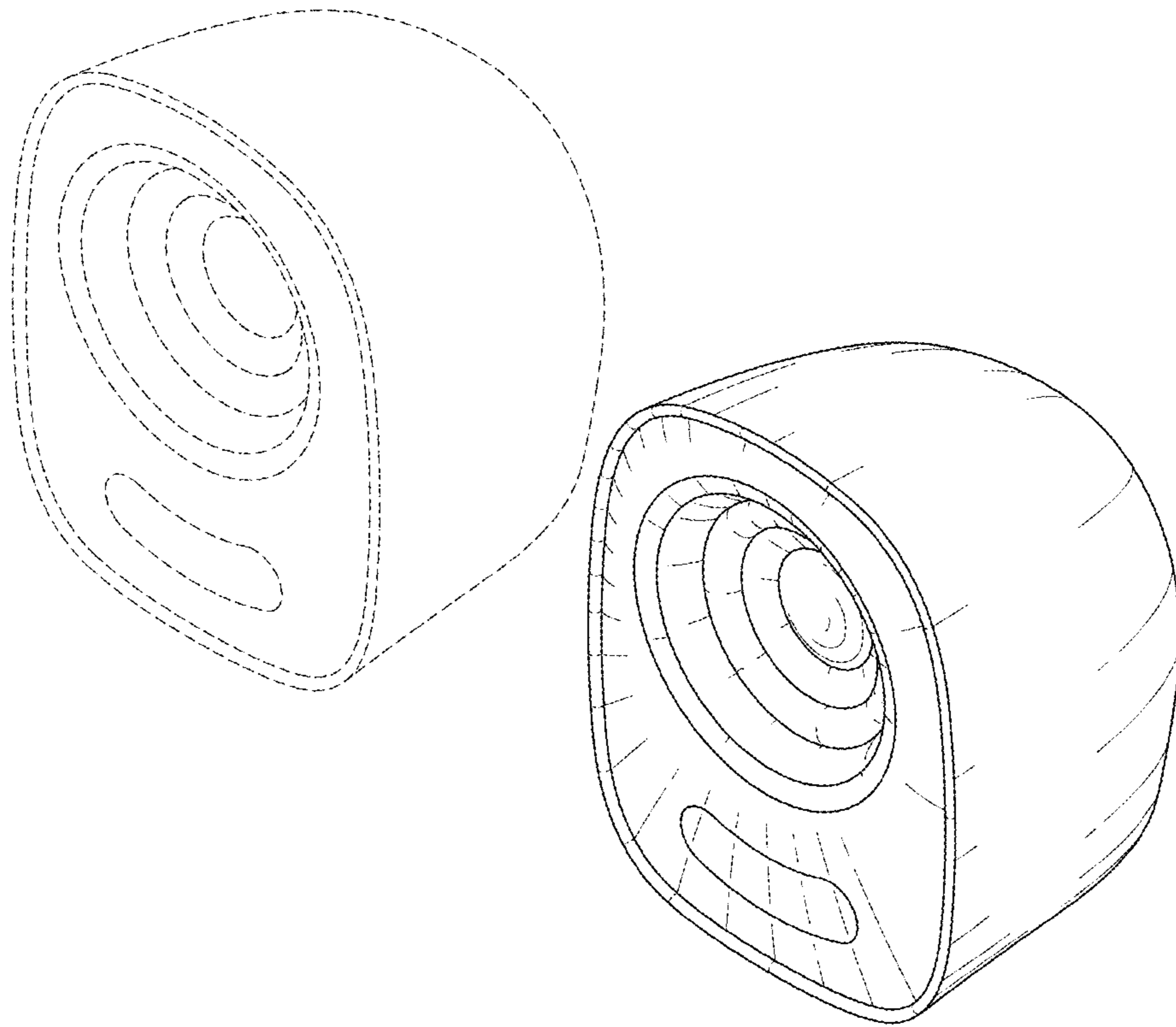


FIG. 9