



US00D920944S

(12) **United States Design Patent**  
**Paterson et al.**

(10) **Patent No.: US D920,944 S**  
(45) **Date of Patent: \*\* Jun. 1, 2021**

(54) **ELECTRONIC INPUT DEVICE**  
(71) Applicant: **Amazon Technologies, Inc.**, Seattle, WA (US)  
(72) Inventors: **Michael Edward James Paterson**, San Francisco, CA (US); **Giles David Matthew McWilliam**, San Francisco, CA (US); **Marc Rene Walliser**, San Francisco, CA (US)  
(73) Assignee: **Amazon Technologies, Inc.**, Seattle, WA (US)  
(\*\*) Term: **15 Years**

(21) Appl. No.: **29/747,596**  
(22) Filed: **Aug. 24, 2020**

**Related U.S. Application Data**

(62) Division of application No. 29/725,521, filed on Feb. 25, 2020, now Pat. No. Des. 901,431, which is a division of application No. 29/644,671, filed on Apr. 19, 2018, now Pat. No. Des. 878,325.  
(51) **LOC (13) Cl.** ..... **14-03**  
(52) **U.S. Cl.**  
USPC ..... **D14/203.1**; D14/496; D14/228; D14/357  
(58) **Field of Classification Search**  
USPC ..... D14/240, 242, 358, 351, 356, 357, 125, D14/155, 162, 167, 168, 172, 175, 188, D14/195, 203.1, 203.6, 203.8, 204, 209.1, D14/216, 217, 218, 228, 299, 496, 140, D14/142, 388, 238.1; D13/123, 124, 152, D13/158, 162, 162.1, 168, 173, 184, 199  
CPC . G06F 3/16; G06F 3/162; G06F 3/165; G06F 3/167; G10L 15/07  
See application file for complete search history.

(56) **References Cited**  
U.S. PATENT DOCUMENTS  
D221,818 S \* 9/1971 Chardack ..... D24/167  
D230,608 S \* 3/1974 Winston ..... D14/202  
D327,690 S 7/1992 Ogawa et al.  
D367,274 S 2/1996 Gobindram  
D371,793 S \* 7/1996 Patton ..... D14/218  
D391,943 S 3/1998 Han  
D391,944 S 3/1998 Han  
D408,590 S \* 4/1999 Litton ..... D28/82  
D418,125 S \* 12/1999 Jobs ..... D14/408  
D433,994 S 11/2000 Jobs et al.  
D443,727 S \* 6/2001 Faillant-Dumas ..... D28/82  
(Continued)

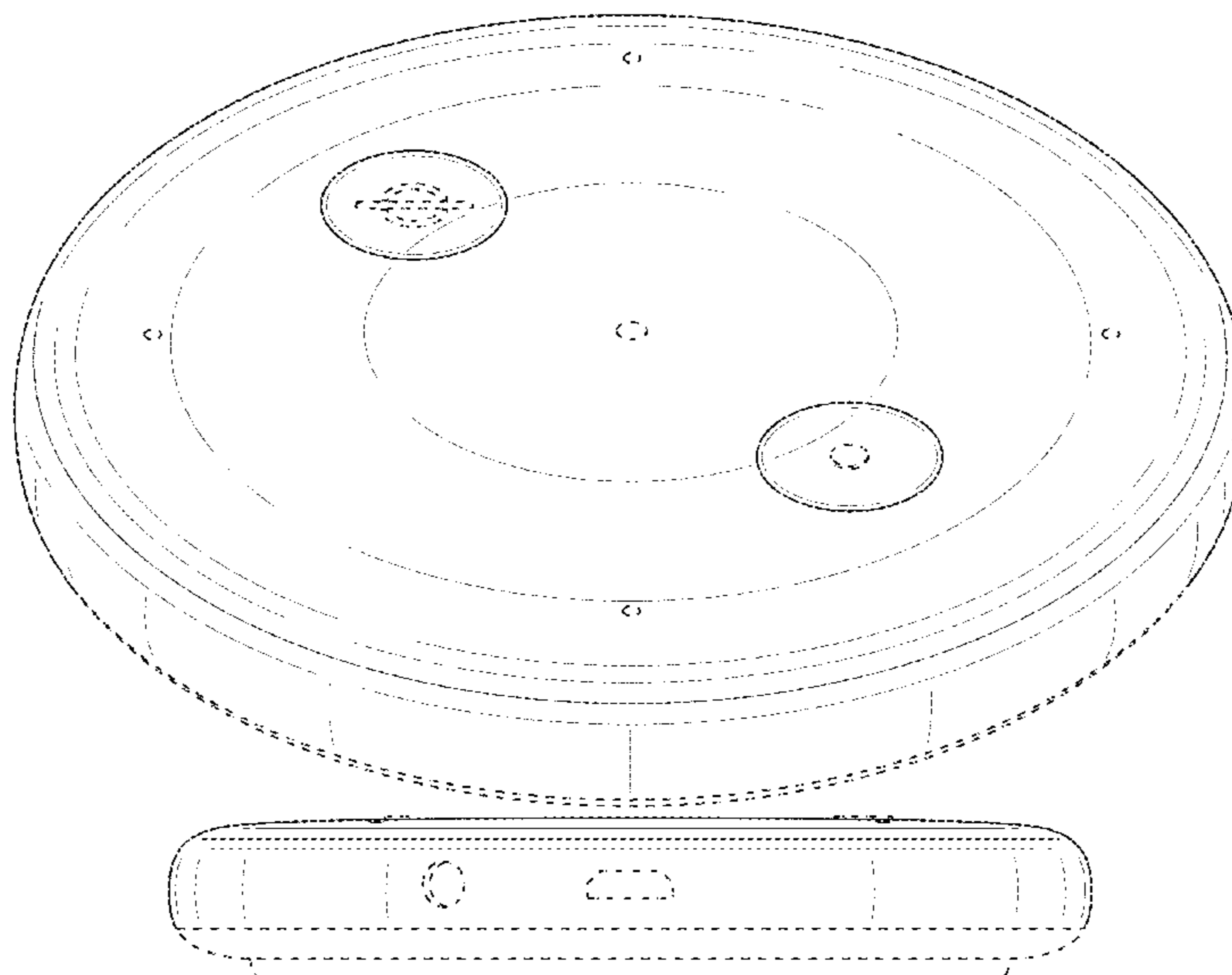
**OTHER PUBLICATIONS**  
Amazon, "Echo Input\_Bring Alexa to your own speaker", Jul. 22, 2019, <<<https://www.amazon.com/Echo-Input-Bring-Aiexa-speaker/dp/B07BFRHZLB>>>, 10 pages.  
(Continued)

*Primary Examiner* — Marie D. Fast Horse  
(74) *Attorney, Agent, or Firm* — Lee & Hayes, P.C.

(57) **CLAIM**  
The ornamental design for an electronic input device, as shown and described.

**DESCRIPTION**  
FIG. 1 is a front perspective view of an electronic input device;  
FIG. 2 is a back perspective view thereof;  
FIG. 3 is a front view thereof;  
FIG. 4 is a back view thereof;  
FIG. 5 is a left-side view thereof;  
FIG. 6 is a right-side view thereof;  
FIG. 7 is a top view thereof; and,  
FIG. 8 is a bottom view thereof.  
The broken lines depict portions of the electronic input device that form no part of the claimed design.

**1 Claim, 8 Drawing Sheets**



(56)

## References Cited

## U.S. PATENT DOCUMENTS

- D494,633 S \* 8/2004 Nussberger ..... D21/324  
D514,122 S \* 1/2006 Rodarte ..... D14/203.6  
D515,516 S 2/2006 Mayo et al.  
D518,030 S 3/2006 Lin  
D518,819 S \* 4/2006 Gray ..... D14/230  
D568,304 S 5/2008 Park  
D595,734 S 7/2009 Son  
D598,003 S 8/2009 Park  
D601,564 S 10/2009 Maeno  
D602,915 S 10/2009 Song et al.  
D607,347 S 1/2010 Goh et al.  
D612,361 S 3/2010 Wright  
D619,117 S 7/2010 Unruh  
D626,147 S 10/2010 Goddard  
D627,306 S 11/2010 Charleux  
D636,760 S 4/2011 Cheng  
D637,306 S \* 5/2011 Feuerabend ..... D24/215  
D643,412 S 8/2011 Brady et al.  
D645,473 S 9/2011 Dangerfield  
D645,818 S 9/2011 Guccione et al.  
D683,636 S 6/2013 Levanen  
D685,790 S 7/2013 Tang  
D686,187 S 7/2013 Dangerfield  
D717,674 S \* 11/2014 Vu ..... D10/65  
D730,891 S \* 6/2015 Wang ..... D14/314  
D731,334 S 6/2015 Fiedler et al.  
D743,819 S 11/2015 Golnik et al.  
D743,954 S 11/2015 Chuang et al.  
D746,165 S 12/2015 Li  
D746,166 S 12/2015 Li  
D747,984 S 1/2016 Zhao et al.  
D751,052 S 3/2016 Jones  
D751,538 S \* 3/2016 Koehler ..... D14/240  
D752,531 S 3/2016 Xu et al.  
D752,588 S 3/2016 Li  
D755,750 S 5/2016 Chen  
D756,955 S 5/2016 Wagner  
D757,587 S 5/2016 Li  
D761,139 S 7/2016 Golnik et al.  
D761,676 S 7/2016 Golnik et al.  
D768,114 S 10/2016 Hou  
D768,631 S 10/2016 Epstein et al.  
D769,846 S \* 10/2016 Hong ..... D14/216  
D770,417 S 11/2016 Chen  
D770,430 S 11/2016 Lee  
D771,142 S 11/2016 Langhammer et al.  
D771,600 S 11/2016 Hinokio et al.  
D773,947 S 12/2016 Scarcella et al.  
D775,233 S \* 12/2016 Beck ..... D14/496  
D777,331 S \* 1/2017 Jayalath ..... D24/186  
D778,875 S 2/2017 Lukic et al.  
D781,919 S 3/2017 Beck et al.  
D786,724 S 5/2017 Seagle, Jr.  
D788,820 S 6/2017 Beck et al.  
D792,468 S 7/2017 Langhammer et al.  
D797,149 S 9/2017 Beck et al.  
D797,807 S 9/2017 Mangum et al.  
D802,589 S 11/2017 Fisher  
D804,531 S 12/2017 Beck et al.  
D804,533 S 12/2017 Mangum et al.  
D805,926 S 12/2017 Im et al.  
D806,711 S 1/2018 Sakaguchi et al.  
D809,951 S 2/2018 Yang et al.  
D813,761 S \* 3/2018 Balaesque ..... D12/174  
D815,149 S 4/2018 Langhammer et al.  
D815,292 S \* 4/2018 Goldman ..... D24/186  
D816,046 S 4/2018 Kiong et al.  
D816,052 S 4/2018 Pallakoff et al.  
D818,849 S 5/2018 Copparstad et al.  
D818,853 S 5/2018 Golnik et al.  
D820,238 S 6/2018 Boshernitzan et al.  
D820,318 S 6/2018 Mullins et al.  
D822,717 S 7/2018 Lim  
D826,205 S 8/2018 Langhammer et al.  
D829,242 S 9/2018 Laine et al.  
D830,327 S 10/2018 Jones  
D830,856 S 10/2018 Golnik et al.  
D830,968 S 10/2018 Wang et al.  
D834,560 S 11/2018 Hardi  
D834,567 S 11/2018 Snyder et al.  
D843,234 S \* 3/2019 Naslund ..... D10/49  
D843,238 S 3/2019 Rose et al.  
D844,593 S 4/2019 Bould et al.  
D848,398 S 5/2019 Huang  
D849,704 S \* 5/2019 Kim ..... D14/137  
D853,382 S \* 7/2019 Haigh ..... D14/358  
D854,168 S 7/2019 He  
D855,040 S 7/2019 Fu et al.  
D855,583 S 8/2019 Capecelatro et al.  
D855,595 S 8/2019 Yang  
D857,648 S \* 8/2019 Okuley ..... D14/204  
D857,650 S \* 8/2019 Hardi ..... D14/218  
D858,463 S \* 9/2019 Nien ..... D13/168  
D858,499 S 9/2019 Yang  
D859,363 S 9/2019 Chalabi et al.  
D859,364 S 9/2019 Chalabi et al.  
D860,198 S 9/2019 Engwall et al.  
D861,644 S \* 10/2019 Sohn ..... D14/218  
D862,417 S 10/2019 Chalabi et al.  
D863,258 S \* 10/2019 Song ..... D14/218  
D864,163 S 10/2019 Lindof  
D864,961 S 10/2019 Sakaguchi et al.  
D867,339 S \* 11/2019 Afshar Bakooshli ..... D14/218  
D867,340 S \* 11/2019 Afshar Bakooshli ..... D14/218  
D867,341 S \* 11/2019 Afshar Bakooshli ..... D14/218  
D867,342 S \* 11/2019 Afshar Bakooshli ..... D14/218  
D867,343 S \* 11/2019 Afshar Bakooshli ..... D14/218  
D867,344 S \* 11/2019 Afshar Bakooshli ..... D14/218  
D868,603 S \* 12/2019 Yin ..... D10/53  
D870,797 S \* 12/2019 Lee ..... D16/230  
D877,149 S \* 3/2020 Johnston ..... D14/388  
D877,712 S \* 3/2020 Durkan ..... D14/204  
D878,325 S 3/2020 Paterson et al.  
D879,053 S \* 3/2020 Yu ..... D13/168  
D882,432 S \* 4/2020 Yee ..... A61B 5/72  
D10/81  
D885,367 S 5/2020 Guo et al.  
10,659,855 B2 \* 5/2020 Lemons ..... H04R 1/04  
D886,767 S \* 6/2020 Matarese ..... D14/204  
D886,795 S \* 6/2020 Tak ..... D14/204  
D890,107 S \* 7/2020 Miller ..... D13/168  
D890,752 S \* 7/2020 Huang ..... D14/358  
D900,812 S \* 11/2020 Friedman ..... D14/357  
D900,821 S \* 11/2020 Johnston ..... D14/388  
D901,431 S \* 11/2020 Paterson ..... D14/203.1  
D908,895 S \* 1/2021 Deriso ..... D24/186

## OTHER PUBLICATIONS

- The Canadian Office Action dated Jul. 3, 2019 for Canadian Patent Application No. 183896, 1 page.  
Cnet, "Ankers new Alexa smart speaker is a dirt-cheap Echo Dot.", Jul. 22, 2019, <<<https://www.cnet.com/reviews/eufy-genie-preview/>>>, 3 pages.  
The Indian Office Action dated Nov. 13, 2018 for Indian design application No. 311184, a counterpart foreign application of design U.S. Appl. No. 29/644,671, 2 pages.  
Non Final Office Action dated Jul. 29, 2019 for U.S. Appl. No. 29/644,671 "Electronic Device" Paterson, 5 pages.

\* cited by examiner

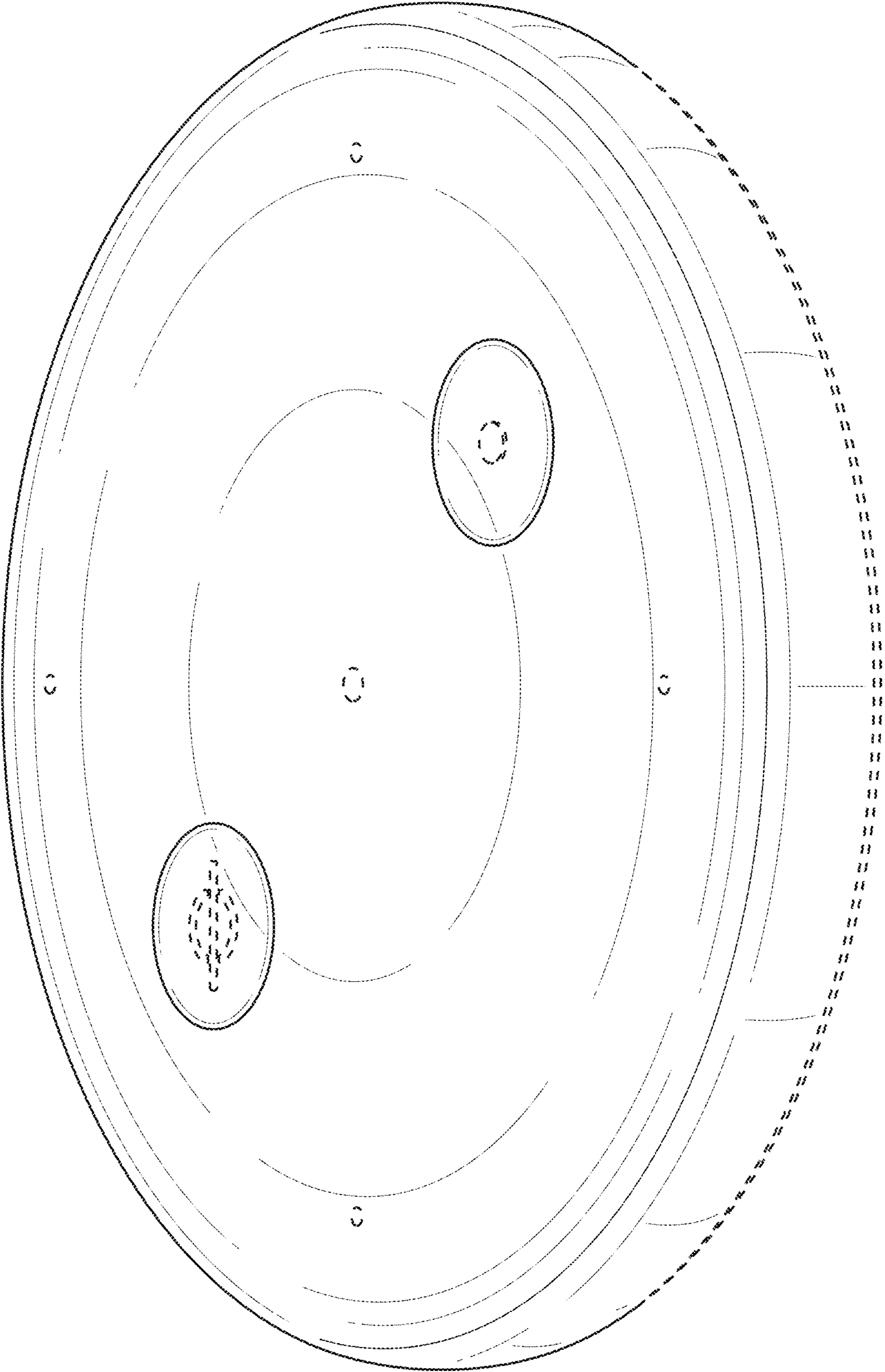
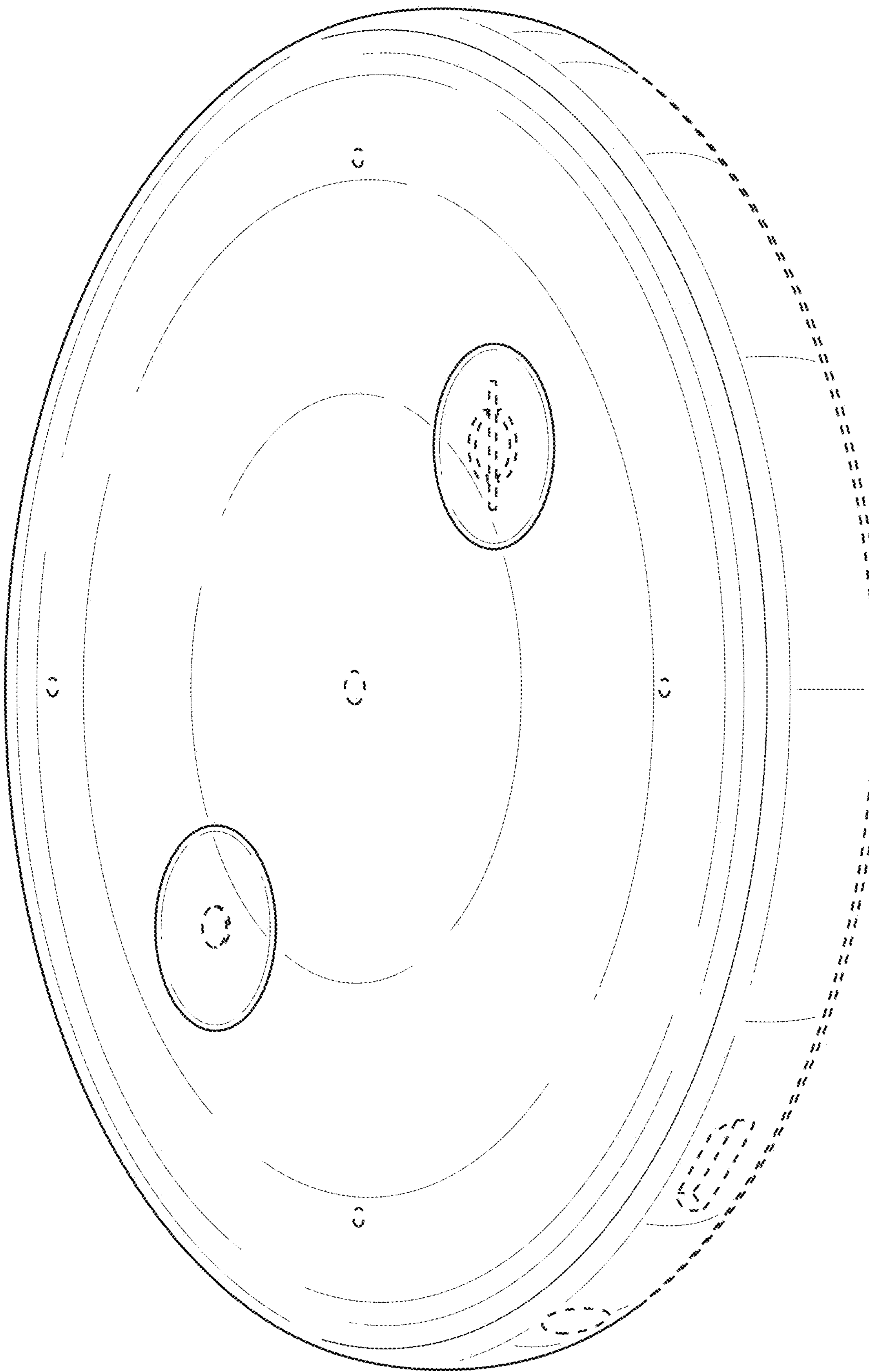
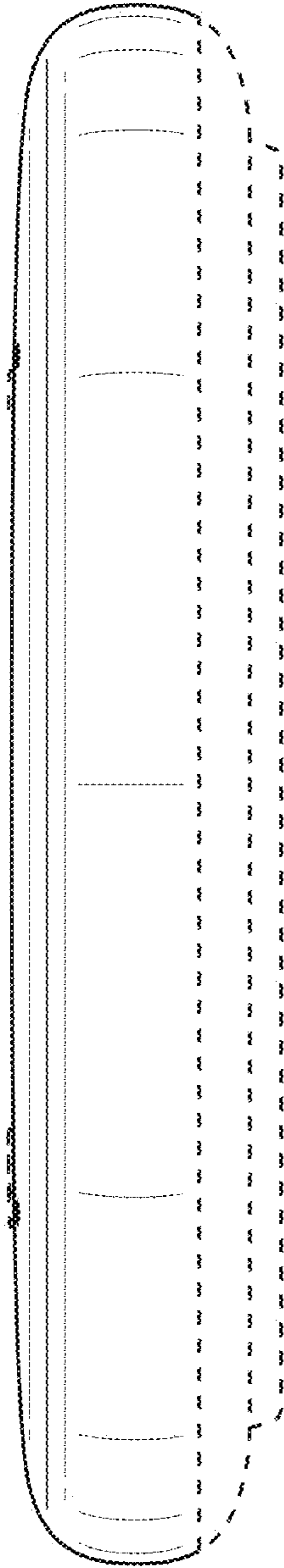


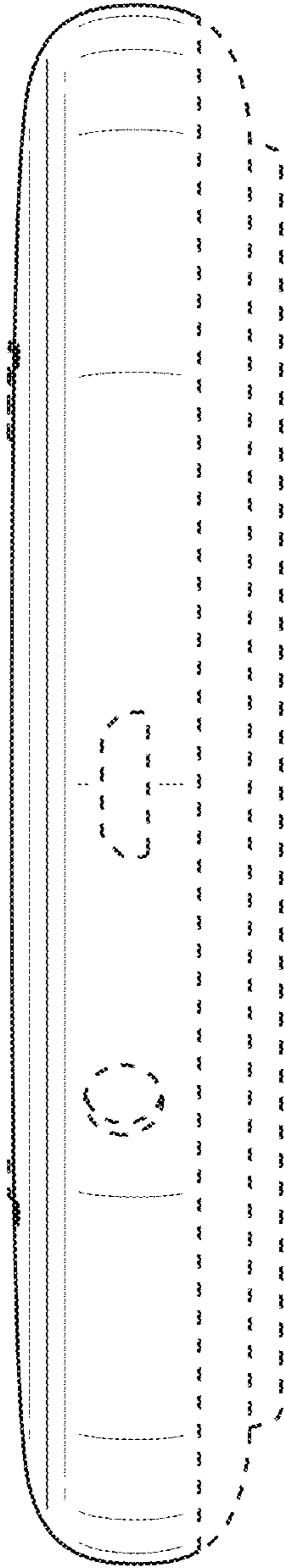
FIG. 1



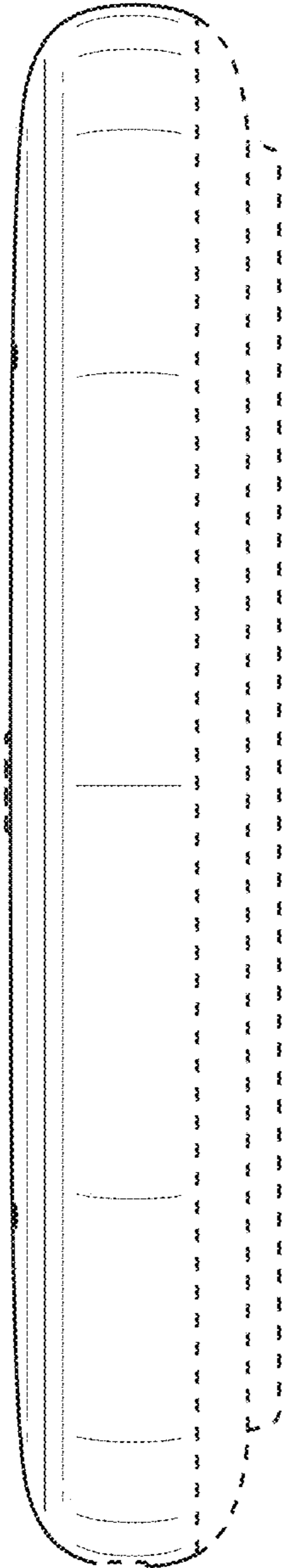
**FIG. 2**



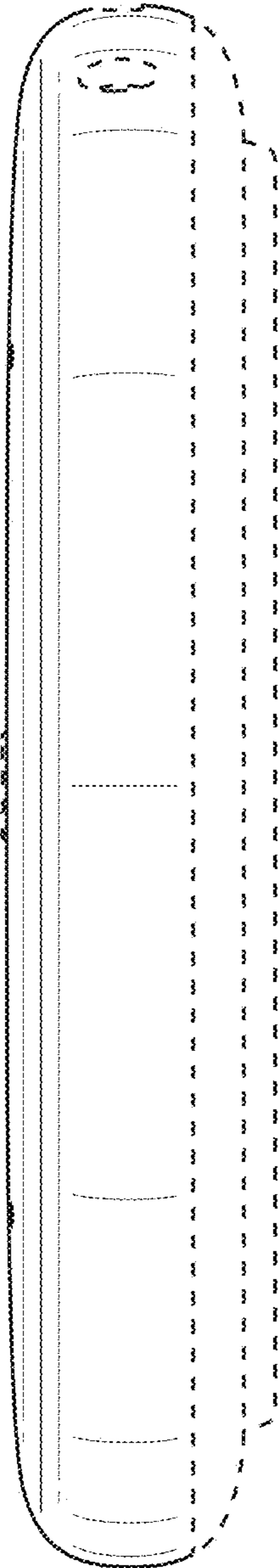
**FIG. 3**



**FIG. 4**



**FIG. 5**



**FIG. 6**



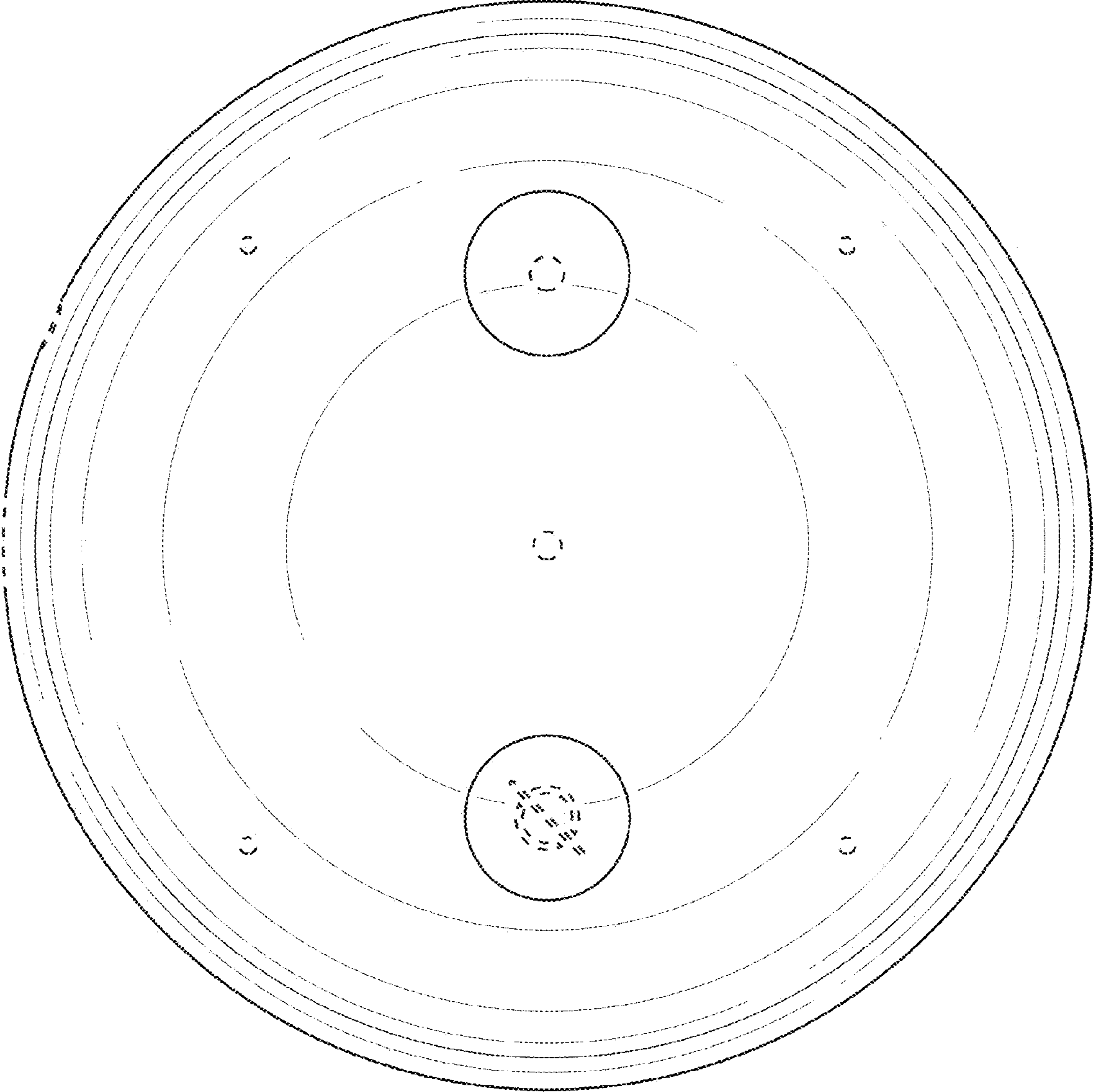
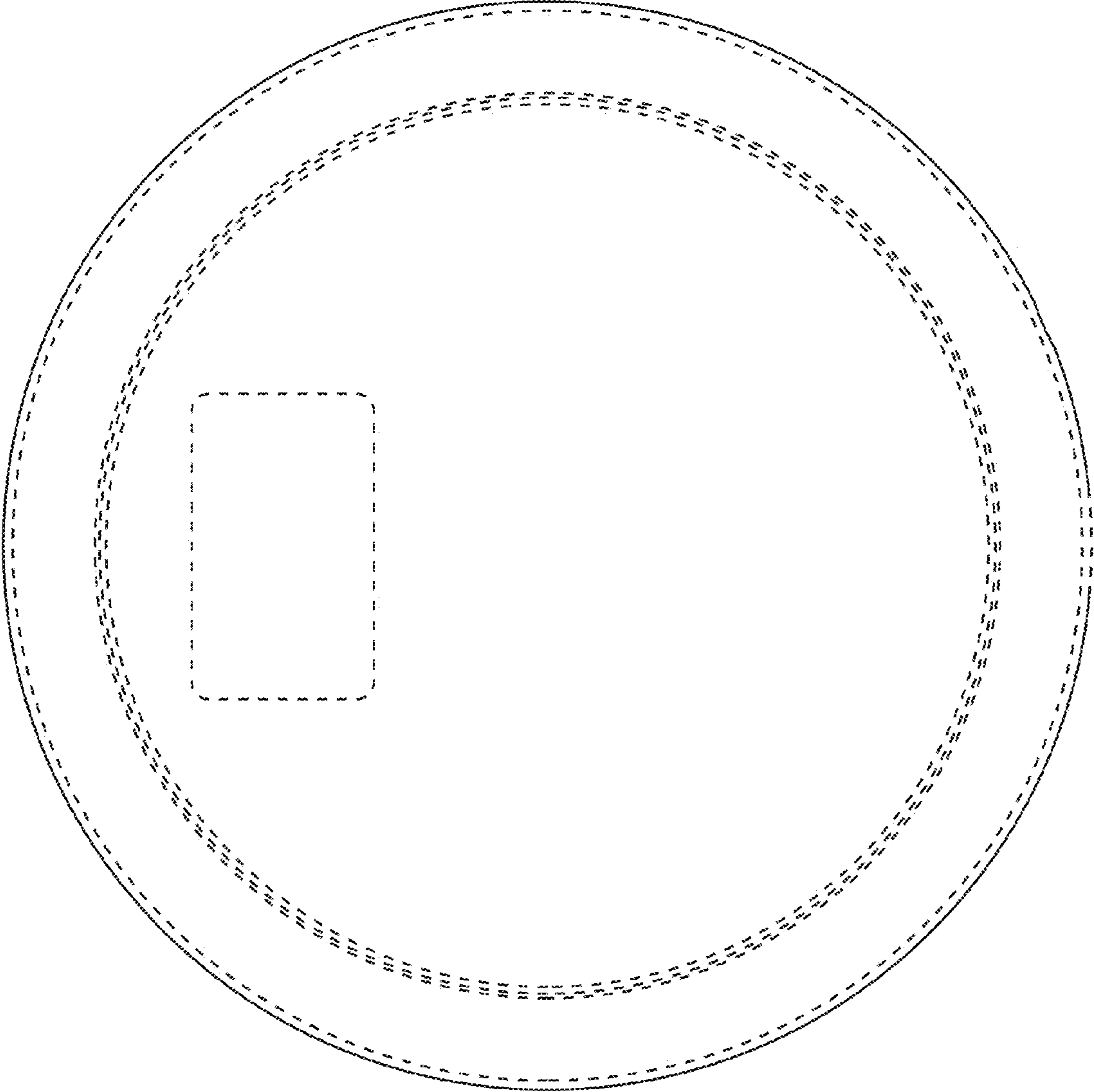


FIG. 7



**FIG. 8**