

US00D920941S

(12) **United States Design Patent** (10) **Patent No.:** **US D920,941 S**
Yoo et al. (45) **Date of Patent:** **** Jun. 1, 2021**

(54) **TELEVISION RECEIVER**

(56) **References Cited**

(71) Applicant: **LG ELECTRONICS INC.**, Seoul (KR)

U.S. PATENT DOCUMENTS

(72) Inventors: **Sehdong Yoo**, Seoul (KR); **Jongyoun Shin**, Seoul (KR); **Byungmu Huh**, Seoul (KR)

D545,778 S * 7/2007 Isshiki D14/126
D558,743 S * 1/2008 Isshiki D14/239
D562,788 S * 2/2008 Asanuma D14/126
D566,669 S * 4/2008 Ooshima D14/126
D570,312 S * 6/2008 Kita D14/126
D619,135 S * 7/2010 Lin D14/374
D634,324 S * 3/2011 Park D14/374
D659,661 S * 5/2012 Lim D14/126
D686,615 S * 7/2013 Lee D14/374
D786,868 S * 5/2017 Kim D14/374

(73) Assignee: **LG ELECTRONICS INC.**, Seoul (KR)

(Continued)

(**) Term: **15 Years**

Primary Examiner — Richard E Chilcot

(21) Appl. No.: **35/508,859**

(74) *Attorney, Agent, or Firm* — Birch, Stewart, Kolasch & Birch, LLP

(22) Filed: **Jun. 7, 2019**

(80) **Hague Agreement Data**

(57) **CLAIM**

Int. Filing Date: **Jun. 7, 2019**
Int. Reg. No.: **DM/206496**
Int. Reg. Date: **Jun. 7, 2019**
Int. Reg. Pub. Date: **Mar. 20, 2020**

The ornamental design for a television receiver, as shown and described.

(30) **Foreign Application Priority Data**

DESCRIPTION

Dec. 12, 2018 (KR) 30-2018-0058509

(51) **LOC (13) Cl.** **14-03**

(52) **U.S. Cl.**
USPC **D14/126**

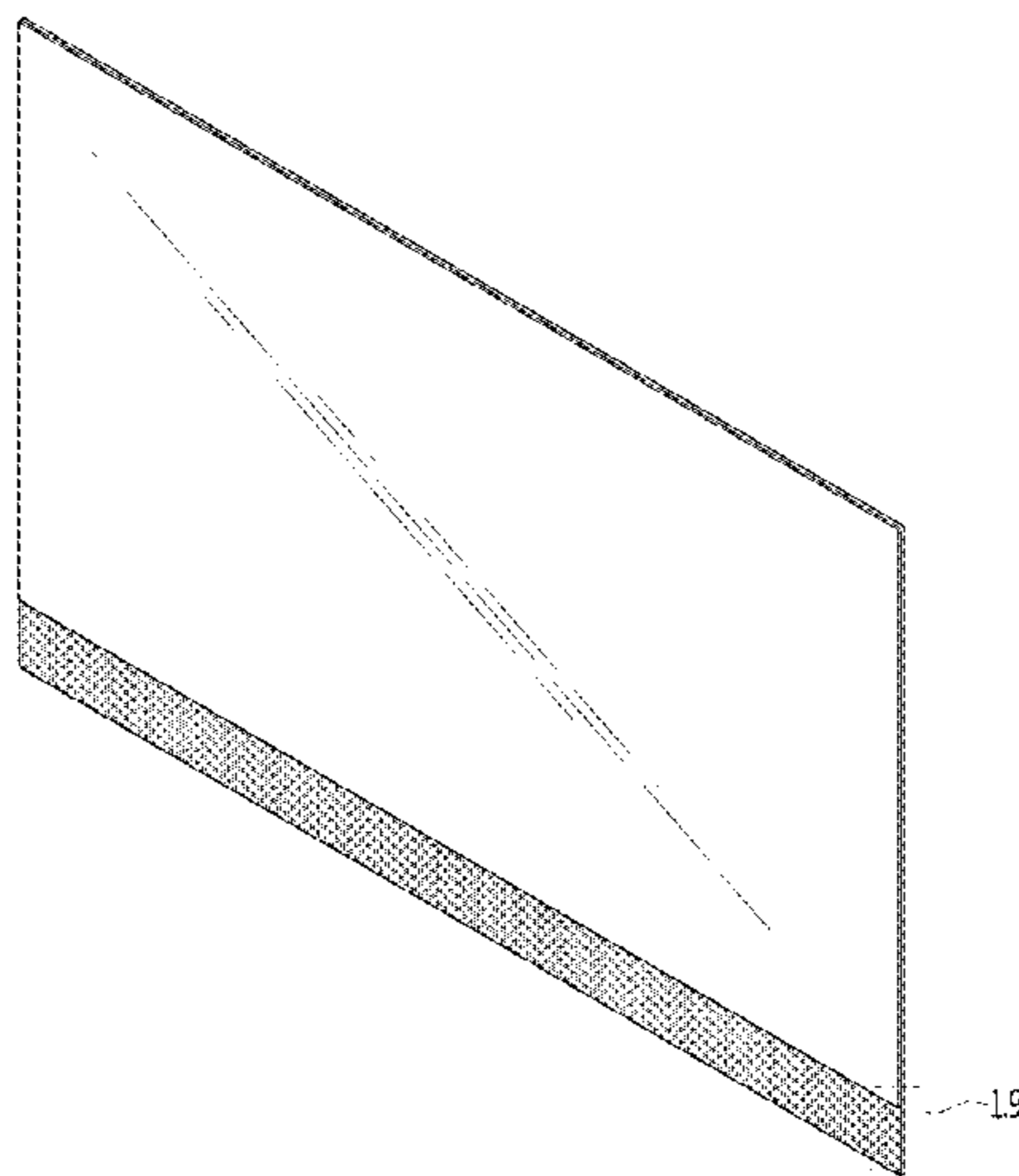
(58) **Field of Classification Search**
USPC D14/125, 126–137, 239, 314–316, 322, D14/326, 334–336, 33, 340, 341, 371, D14/373–374, 448, 450, 138 G, 248; D6/300, 310, 314, 320, 332, 553, 657; D21/329, 332, 515, 324
CPC G06F 1/16; G06F 1/1601; G06F 1/1637; H04N 5/64; H05K 5/0204; H05K 5/0017; H05K 5/0217

1. Television receiver
1.1 : Perspective
1.2 : Rear perspective view
1.3 : Front
1.4 : Back
1.5 : Left
1.6 : Right
1.7 : Top
1.8 : Bottom
1.9 : Enlarged
1.10 : Enlarged
1.11 : Cross sectional

Reproduction 1.9 and 1.10 are enlarged views of portions of reproductions 1.1 and 1.2, respectively, represented by the squares in dash-dotted lines and curvy lines and the numbers 1.9 and 1.10; reproduction 1.11 is a cross-sectional view of the portion of the product taken along line 1.11-1.11 in

See application file for complete search history.

(Continued)



reproduction 1.9; the jagged lines in reproduction 1.11 represent an unclaimed boundary line and form no part of the claimed design.

1 Claim, 11 Drawing Sheets

(56)

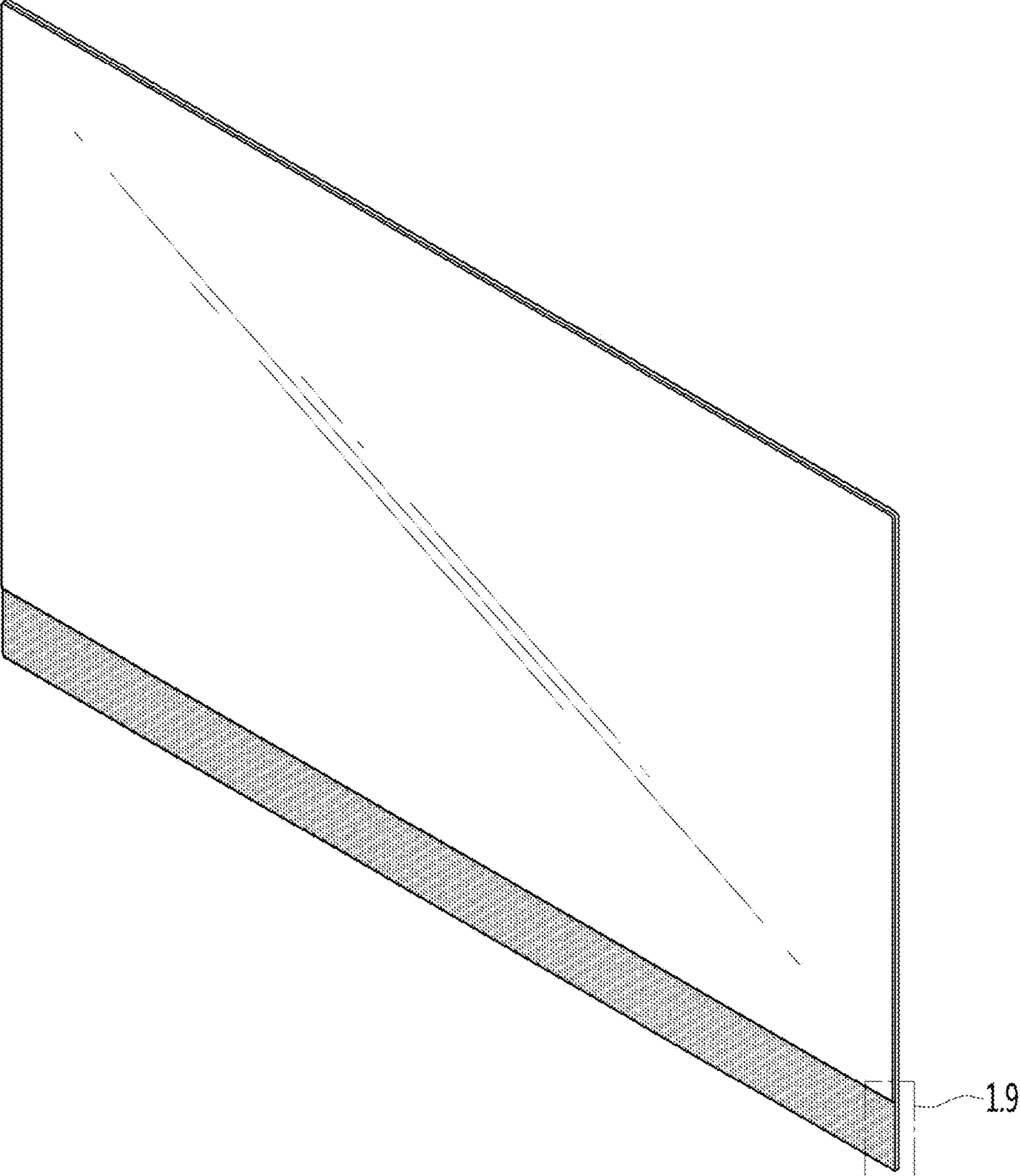
References Cited

U.S. PATENT DOCUMENTS

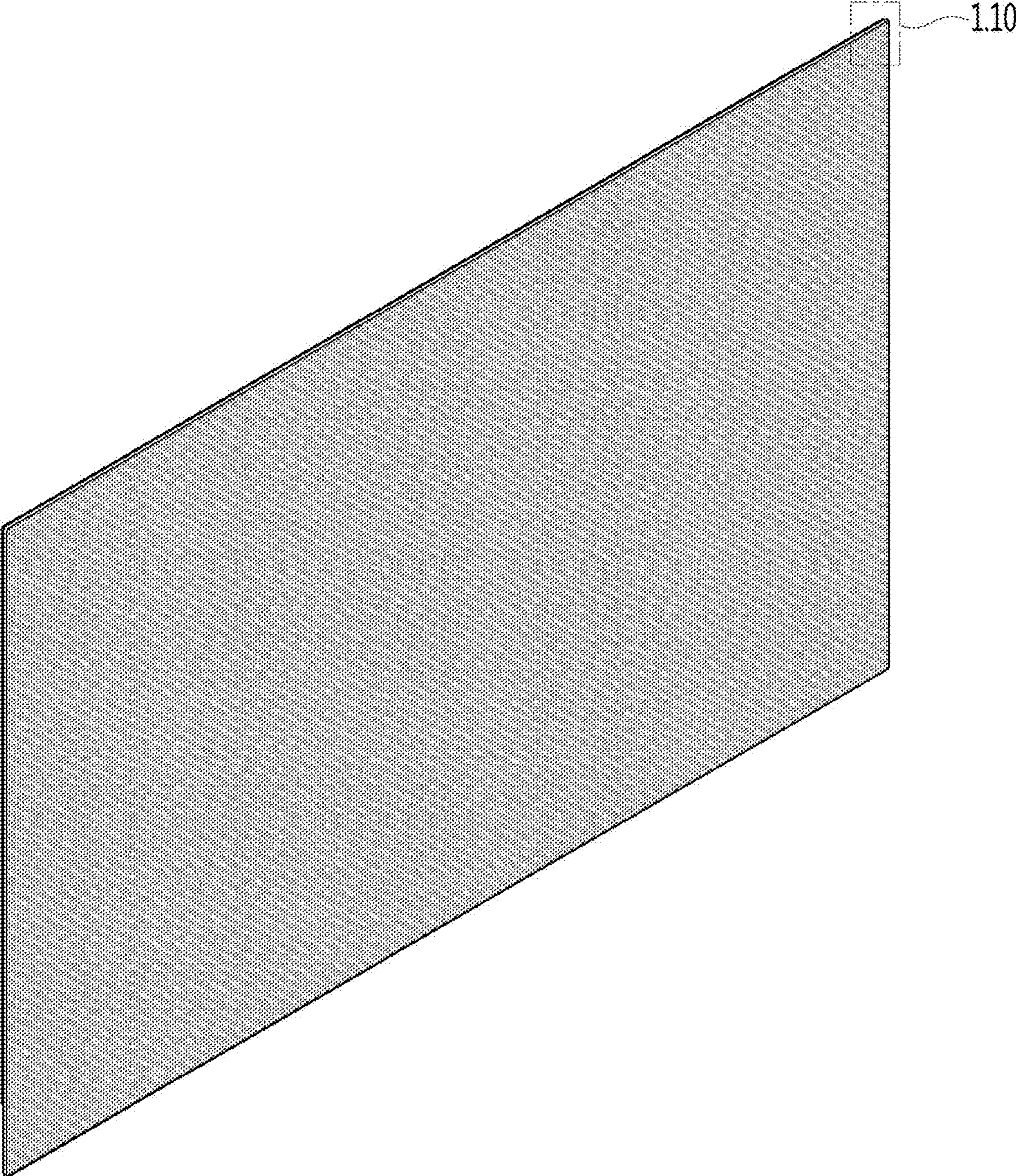
D796,465	S	*	9/2017	Kim	D14/126
D805,511	S	*	12/2017	Sun	D14/336
D817,290	S	*	5/2018	Lee	D14/126
D826,200	S	*	8/2018	Kim	D14/126
D826,884	S	*	8/2018	Kim	D14/126
D828,837	S	*	9/2018	Kim	D14/374
D830,985	S	*	10/2018	Cha	D14/126
D858,474	S	*	9/2019	Lim	D14/126
D860,961	S	*	9/2019	Kim	D14/126
D860,962	S	*	9/2019	Lee	D14/126

* cited by examiner

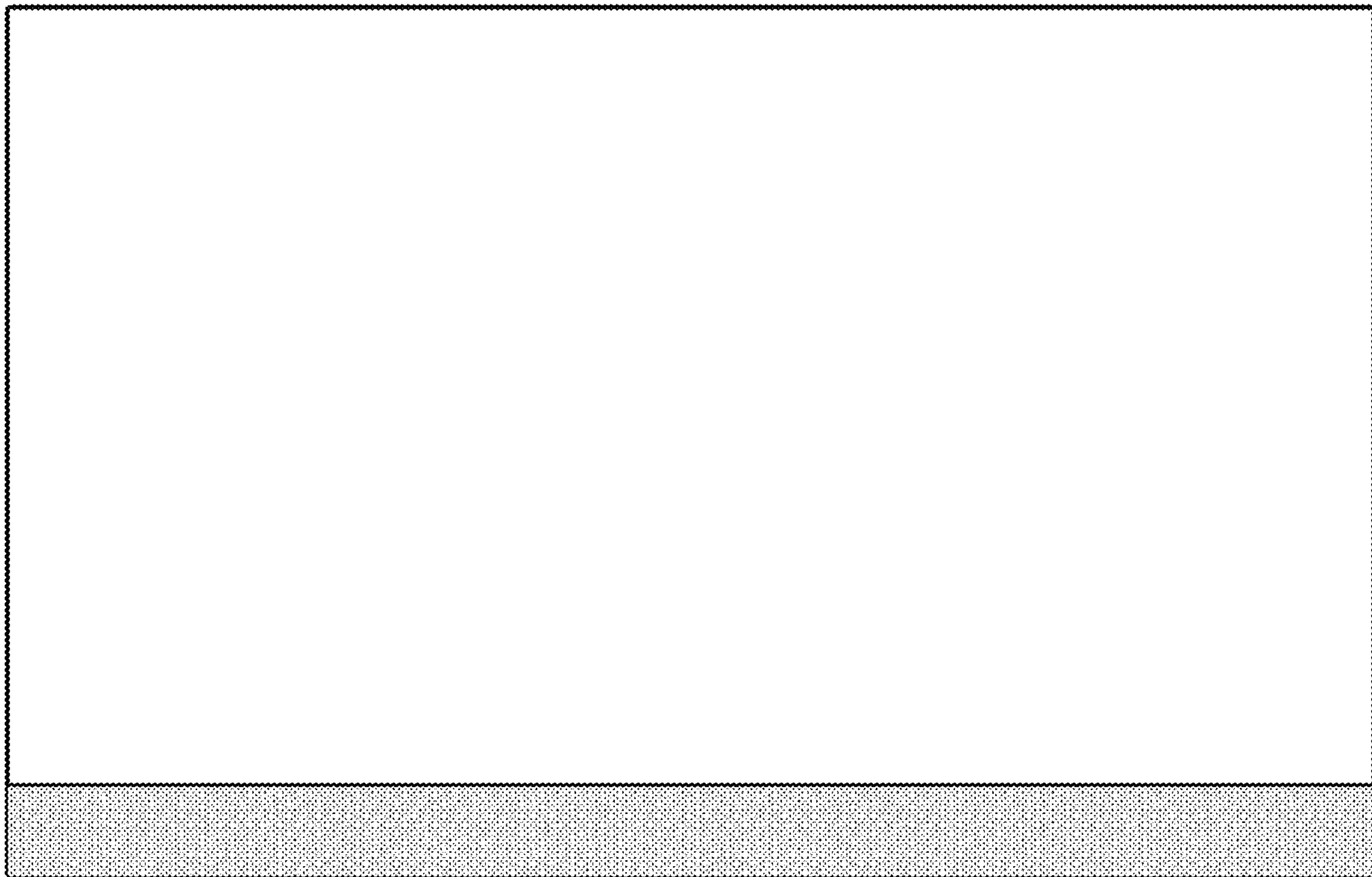
1.1



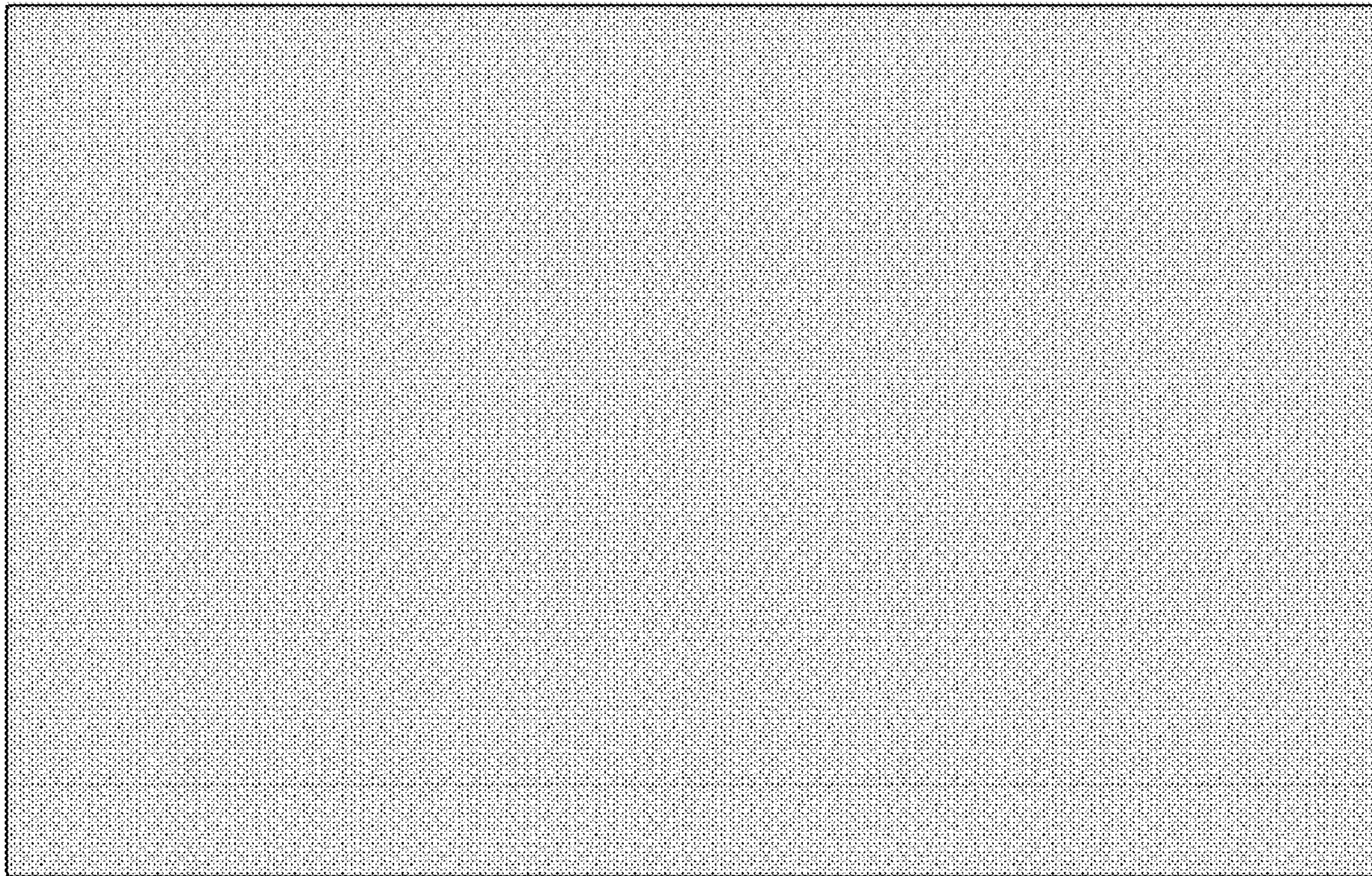
1.2



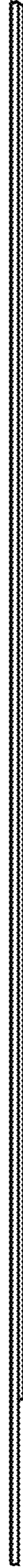
1.3



1.4



1.5

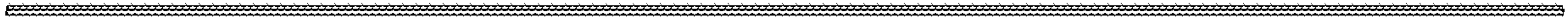


1.6

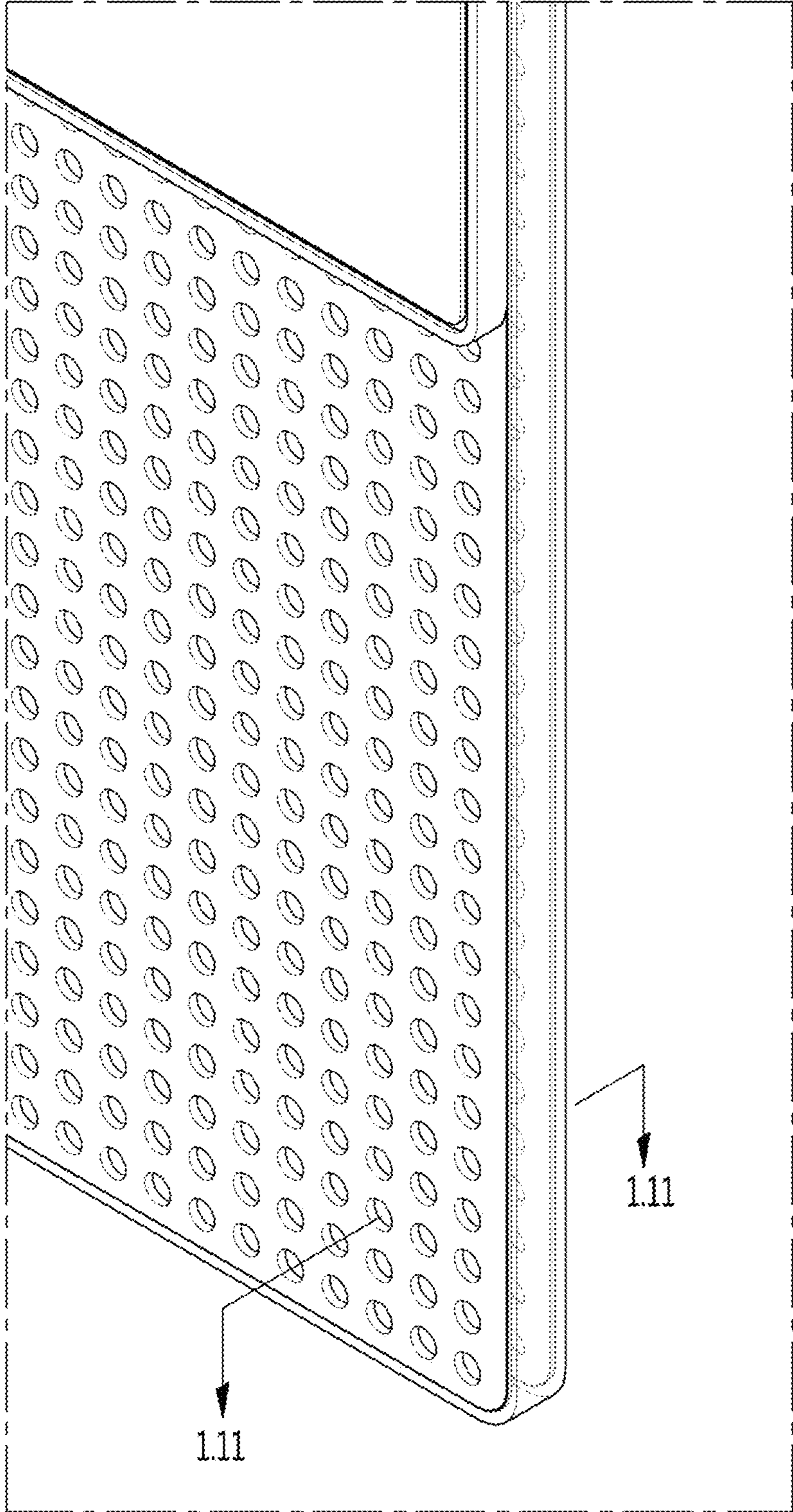


1.7

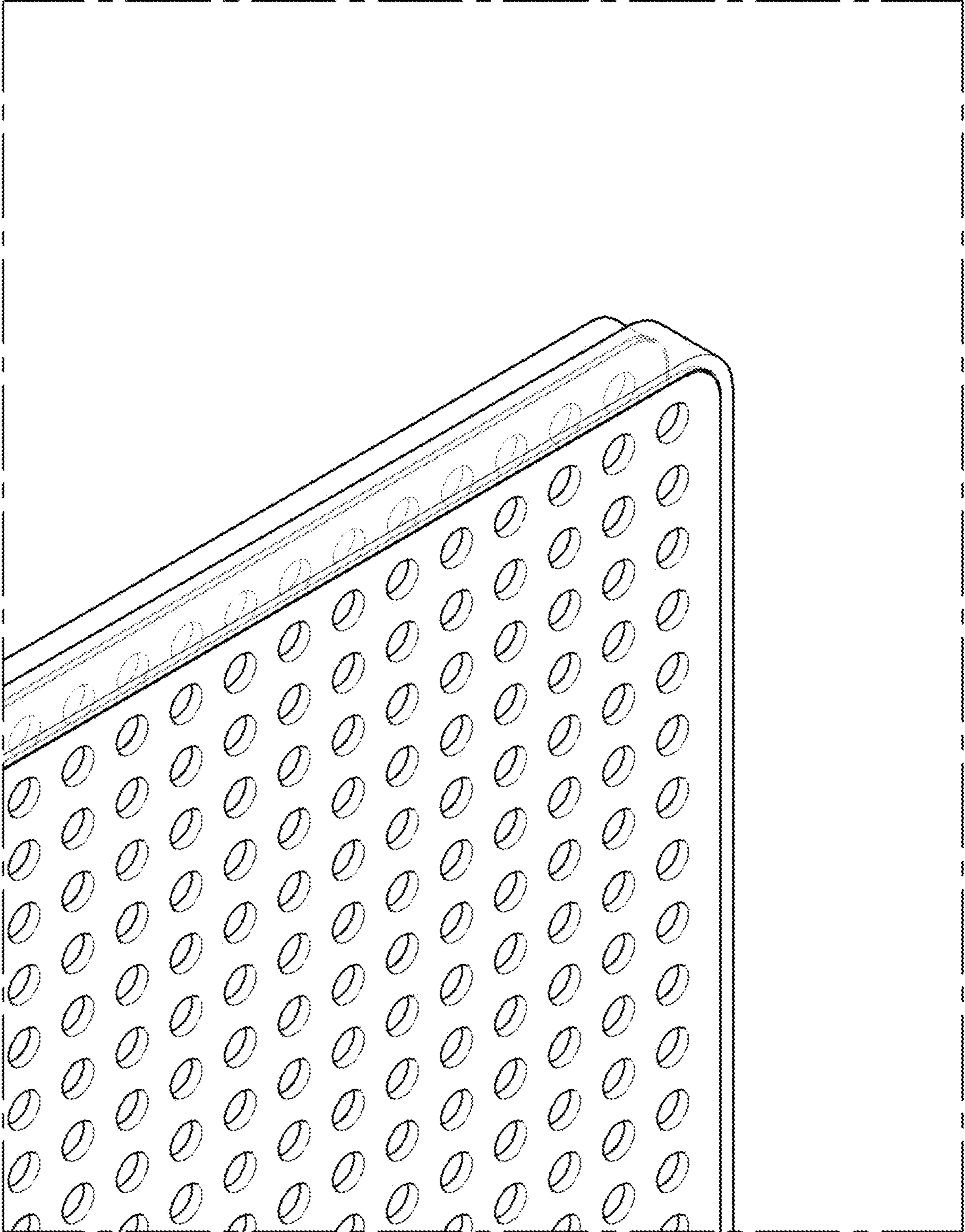
1.8



1.9



1.10



1.11

