



US00D920940S

(12) **United States Design Patent** (10) **Patent No.:** **US D920,940 S**
Lee et al. (45) **Date of Patent:** **** Jun. 1, 2021**

(54) **TELEVISION RECEIVER**

(56) **References Cited**

(71) Applicant: **LG ELECTRONICS INC.**, Seoul (KR)

(72) Inventors: **Yoonkyeong Lee**, Seoul (KR); **Hewon Kihl**, Seoul (KR); **Yongho Lee**, Seoul (KR)

(73) Assignee: **LG ELECTRONICS INC.**, Seoul (KR)

(**) Term: **15 Years**

(21) Appl. No.: **35/508,724**

(22) Filed: **Jun. 7, 2019**

(80) **Hague Agreement Data**
 Int. Filing Date: **Jun. 7, 2019**
 Int. Reg. No.: **DM/206194**
 Int. Reg. Date: **Jun. 7, 2019**
 Int. Reg. Pub. Date: **Mar. 6, 2020**

U.S. PATENT DOCUMENTS

D545,778 S *	7/2007	Isshiki	D14/126
D558,743 S *	1/2008	Isshiki	D14/239
D562,788 S *	2/2008	Asanuma	D14/126
D566,669 S *	4/2008	Ooshima	D14/126
D570,312 S *	6/2008	Kita	D14/126
D619,135 S *	7/2010	Lin	D14/374
D634,324 S *	3/2011	Park	D14/374
D659,661 S *	5/2012	Lim	D14/126
D686,615 S *	7/2013	Lee	D14/374
D786,868 S *	5/2017	Kim	D14/374
D796,465 S *	9/2017	Kim	D14/126
D805,511 S *	12/2017	Sun	D14/336
D817,290 S *	5/2018	Lee	D14/126
D826,200 S *	8/2018	Kim	D14/126
D826,884 S *	8/2018	Kim	D14/126
D828,837 S *	9/2018	Kim	D14/374
D830,985 S *	10/2018	Cha	D14/126
D858,474 S *	9/2019	Lim	D14/126
D860,961 S *	9/2019	Kim	D14/126

(Continued)

Primary Examiner — Richard E Chilcot
 (74) *Attorney, Agent, or Firm* — Birch, Stewart, Kolasch & Birch, LLP

(30) **Foreign Application Priority Data**

Jan. 17, 2019 (KR) 30-2019-0002542

(51) **LOC (13) Cl.** **14-03**

(52) **U.S. Cl.**
 USPC **D14/126**
 CPC **H04N 5/64** (2013.01)

(58) **Field of Classification Search**
 USPC D14/125, 126-137, 239, 314-316, 322, D14/326, 334-336, 33, 340, 341, 371, D14/373-374, 445, 450, 138 G, 248; D6/300, 310, 314, 320, 332, 553, 657; D21/329, 332, 515, 324
 CPC G06F 1/16; G06F 1/1601; G06F 1/1637; H04N 5/64; H05K 5/0204; H05K 5/0017; H05K 5/0217

See application file for complete search history.

(57) **CLAIM**

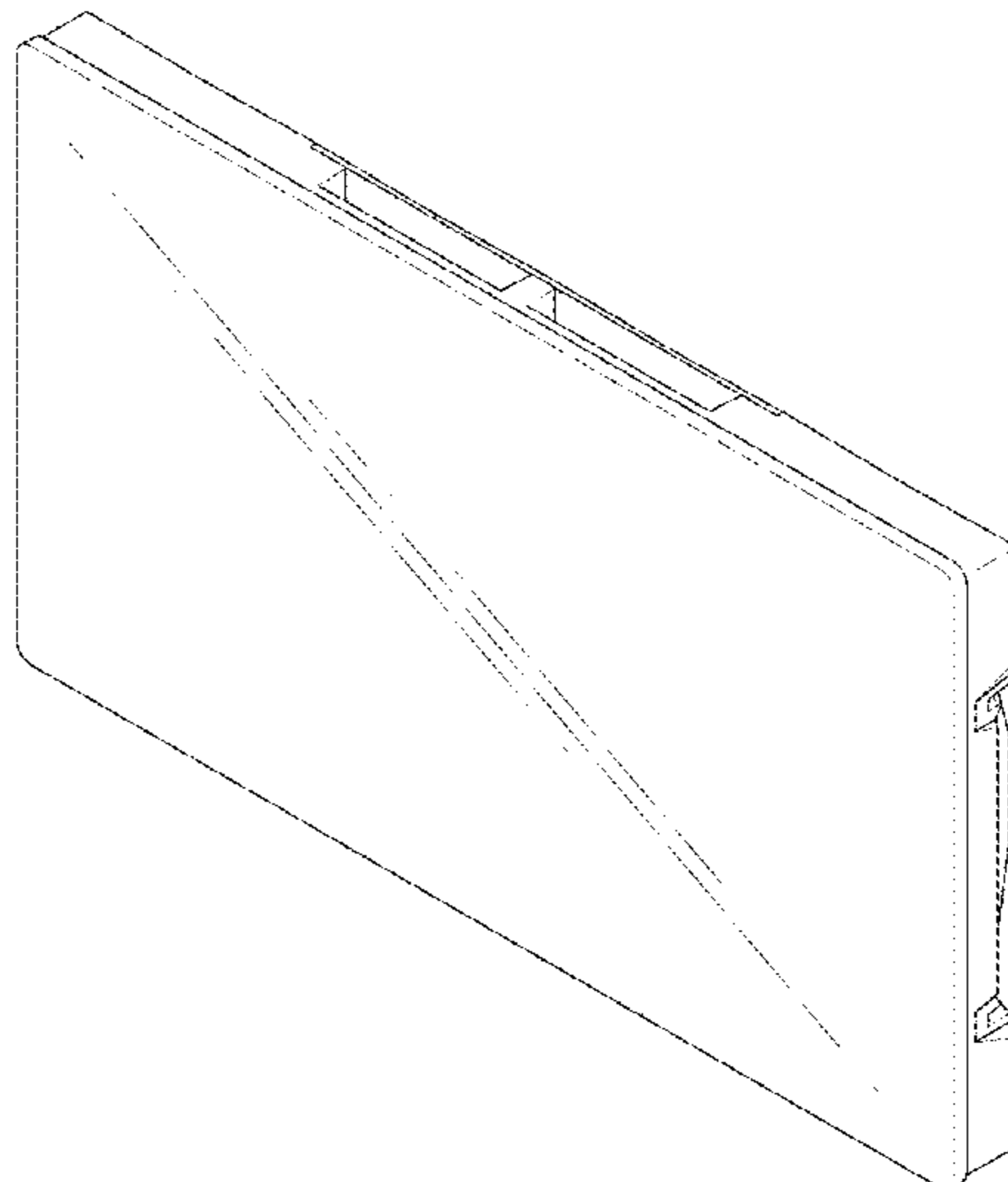
The ornamental design for a television receiver, as shown and described.

DESCRIPTION

- 1. Television receiver
- 1.1 : Perspective
- 1.2 : Rear perspective view
- 1.3 : Front
- 1.4 : Back
- 1.5 : Left
- 1.6 : Right
- 1.7 : Top
- 1.8 : Bottom

The broken lines indicate portions of the article that form no part of the claimed design.

1 Claim, 8 Drawing Sheets



(56)

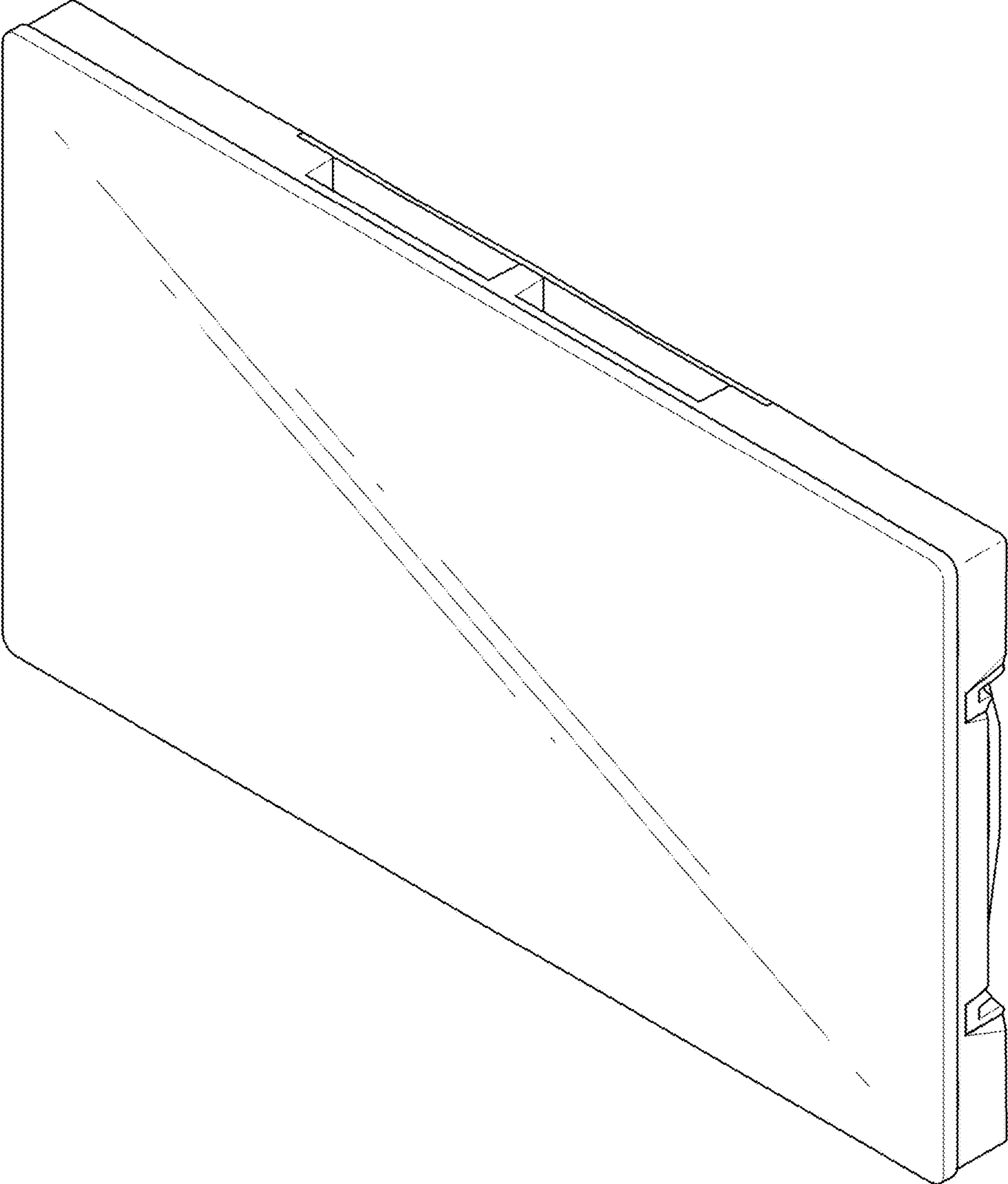
References Cited

U.S. PATENT DOCUMENTS

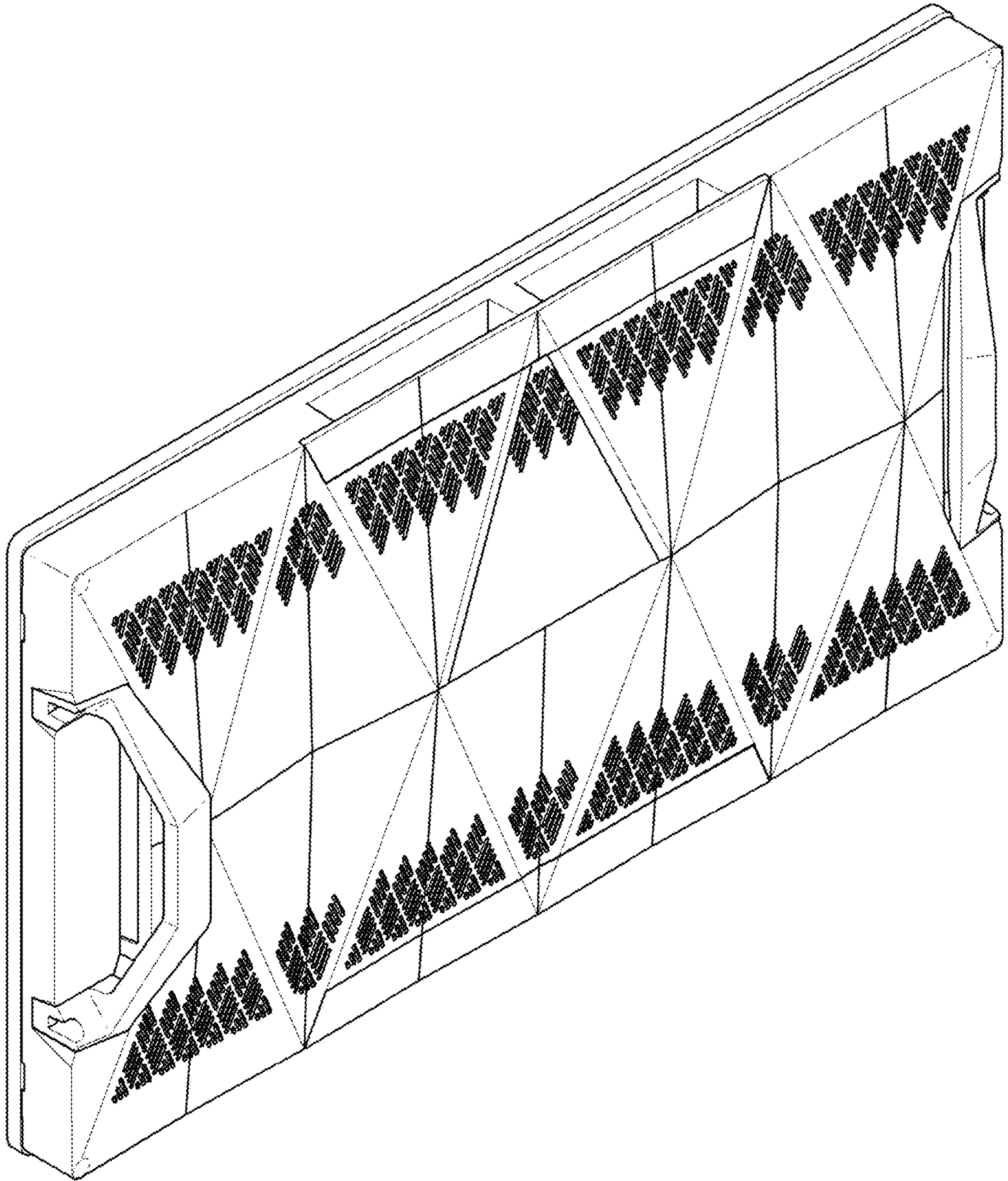
D860,962 S * 9/2019 Lee D14/126

* cited by examiner

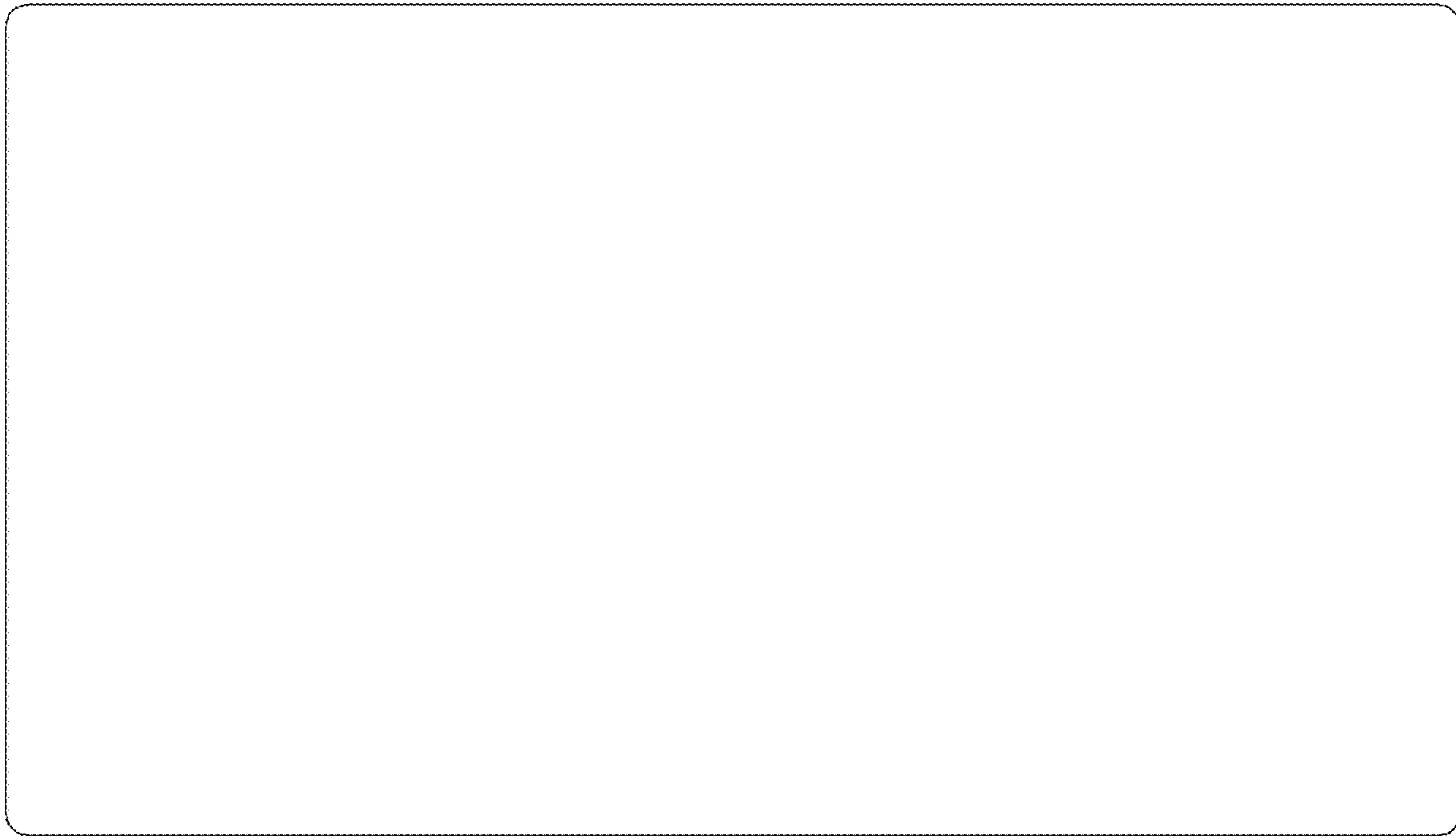
1.1



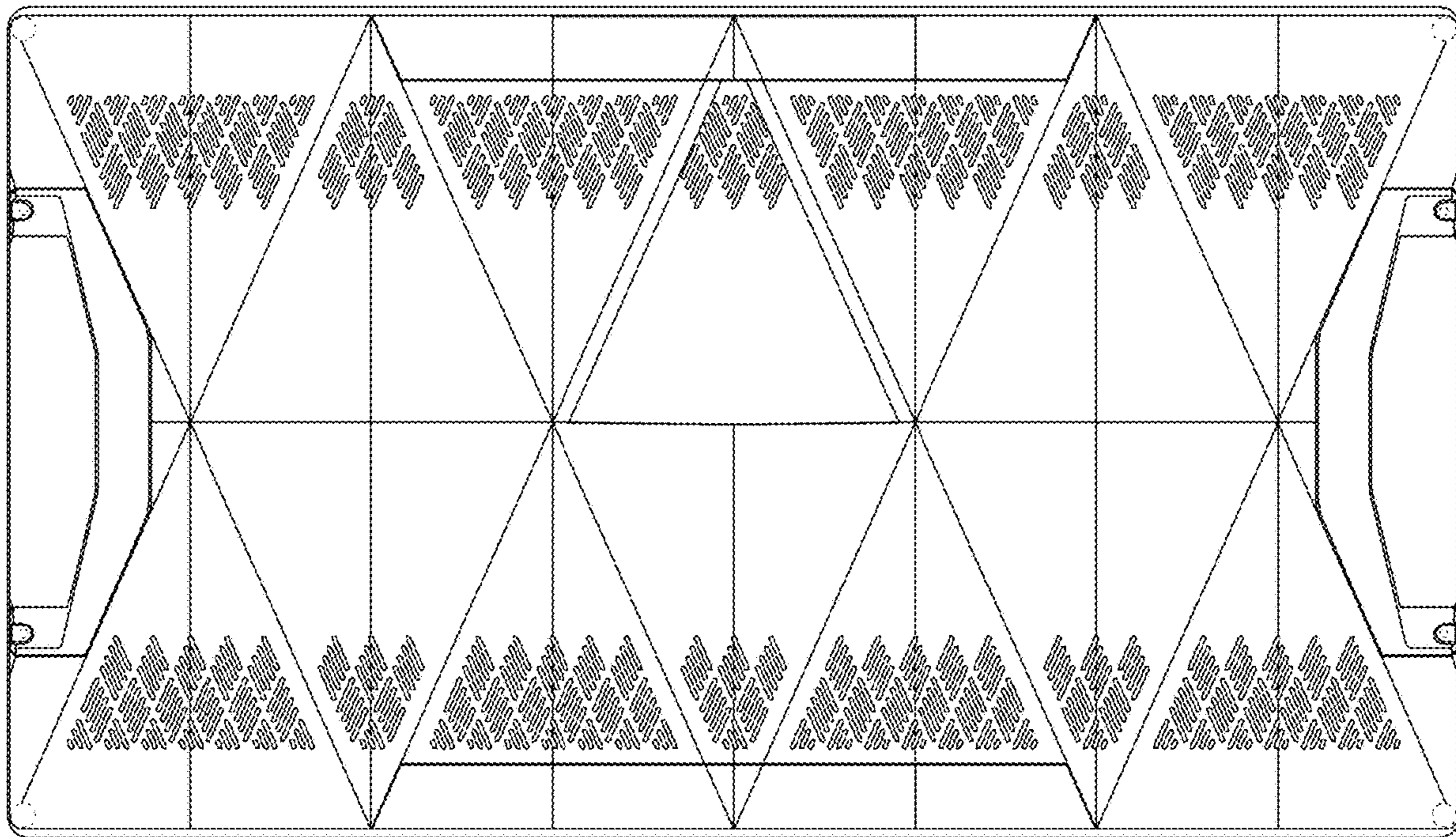
1.2



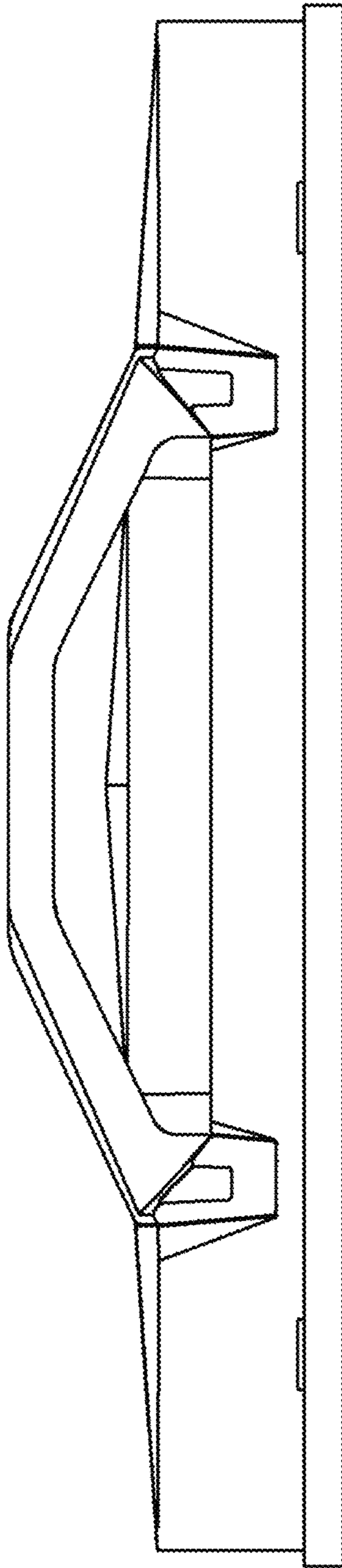
1.3



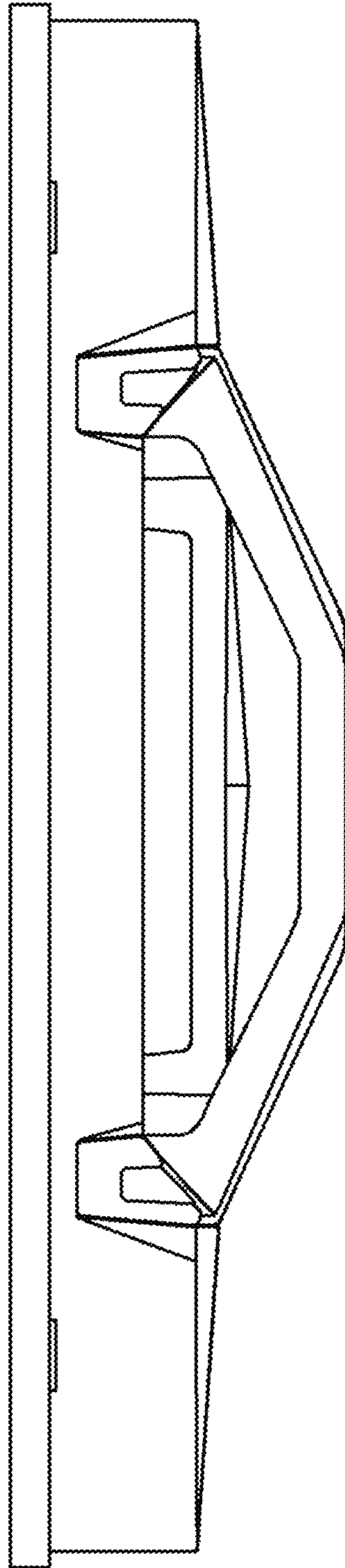
1.4



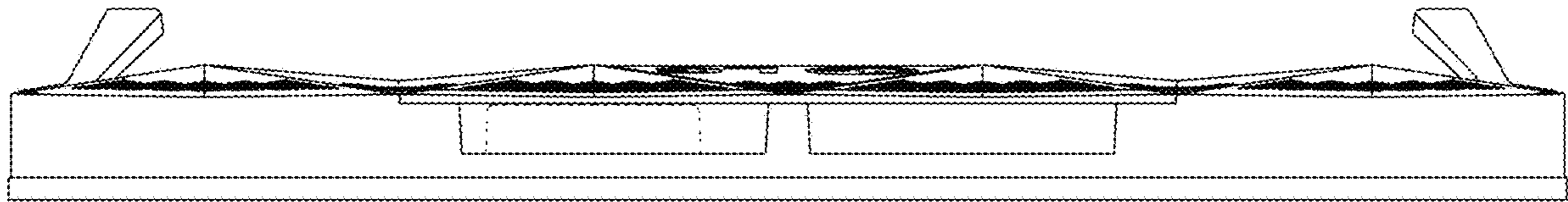
1.5



1.6



1.7



1.8

