



US00D920938S

(12) **United States Design Patent** (10) **Patent No.:** **US D920,938 S**
Mattila et al. (45) **Date of Patent:** **** Jun. 1, 2021**

(54) **ELECTRICAL CABINET**

(56) **References Cited**

(71) Applicant: **Ensto Building Systems Oy**, Porvoo (FI)

U.S. PATENT DOCUMENTS

(72) Inventors: **Reijo Mattila**, Vantaa (FI); **Marjo Kurri**, Helsinki (FI); **Turkka Heiska**, Helsinki (FI); **Markus Niemi**, Nurmijärvi (FI)

D363,669 S *	10/1995	Pennoyer, Jr.	D3/292
D379,004 S *	4/1997	Keijser	D13/184
D423,464 S *	4/2000	Witte	D13/184
D425,476 S *	5/2000	Campbell	D13/103
D451,278 S *	12/2001	Cooper	D3/294
D499,070 S *	11/2004	Lavington	D13/119
D507,241 S *	7/2005	Koessler	D13/152
D517,479 S *	3/2006	Schemm	D13/103
D517,987 S *	3/2006	Castagnola	D13/103
D517,988 S *	3/2006	Ihde	D13/103
D562,128 S *	2/2008	van de Velde	D9/420
D660,261 S *	5/2012	Huang	D13/184
D692,748 S *	11/2013	Short	D9/420
D702,198 S *	4/2014	Gretz	D13/184
D757,435 S *	5/2016	Damberg	B25H 3/021 D3/284
D785,567 S *	5/2017	Abena	D13/119
D789,899 S *	6/2017	von der Lippe	D13/184
D821,968 S *	7/2018	Zhao	D13/103
D823,788 S *	7/2018	Wei	D13/103

(73) Assignee: **Ensto Building Systems Oy**, Porvoo (FI)

(**) Term: **15 Years**

(21) Appl. No.: **29/646,904**

(22) Filed: **May 8, 2018**

(30) **Foreign Application Priority Data**

Nov. 8, 2017 (EM) 001462188

(51) **LOC (13) Cl.** **13-03**

(52) **U.S. Cl.**
USPC **D13/184**

(58) **Field of Classification Search**
USPC D13/102, 103, 107, 108, 110, 112, 113,
D13/118, 119, 184, 199, 152; D9/420,
D9/432

CPC Y02T 10/7005; Y02T 10/705; Y02T
10/7088; H02J 7/025; H02J 7/0042; H02J
7/0044; H02J 7/0045; H02J 7/0003; H01F
38/14; H01M 2/02; H01M 2/022; H01M
2/0202; H01M 2/0207; H01M 2/0212;
H01M 2/1061; H01M 2/1022; H01M
2/1055; H01M 2/1066; H01M 2/105;
H01M 2/204; Y02E 60/12; Y02E 60/122;
Y02E 60/124; Y02E 60/50; B65D 43/16

See application file for complete search history.

Primary Examiner — Christy Nemeth

(74) *Attorney, Agent, or Firm* — Banner & Witcoff, Ltd.

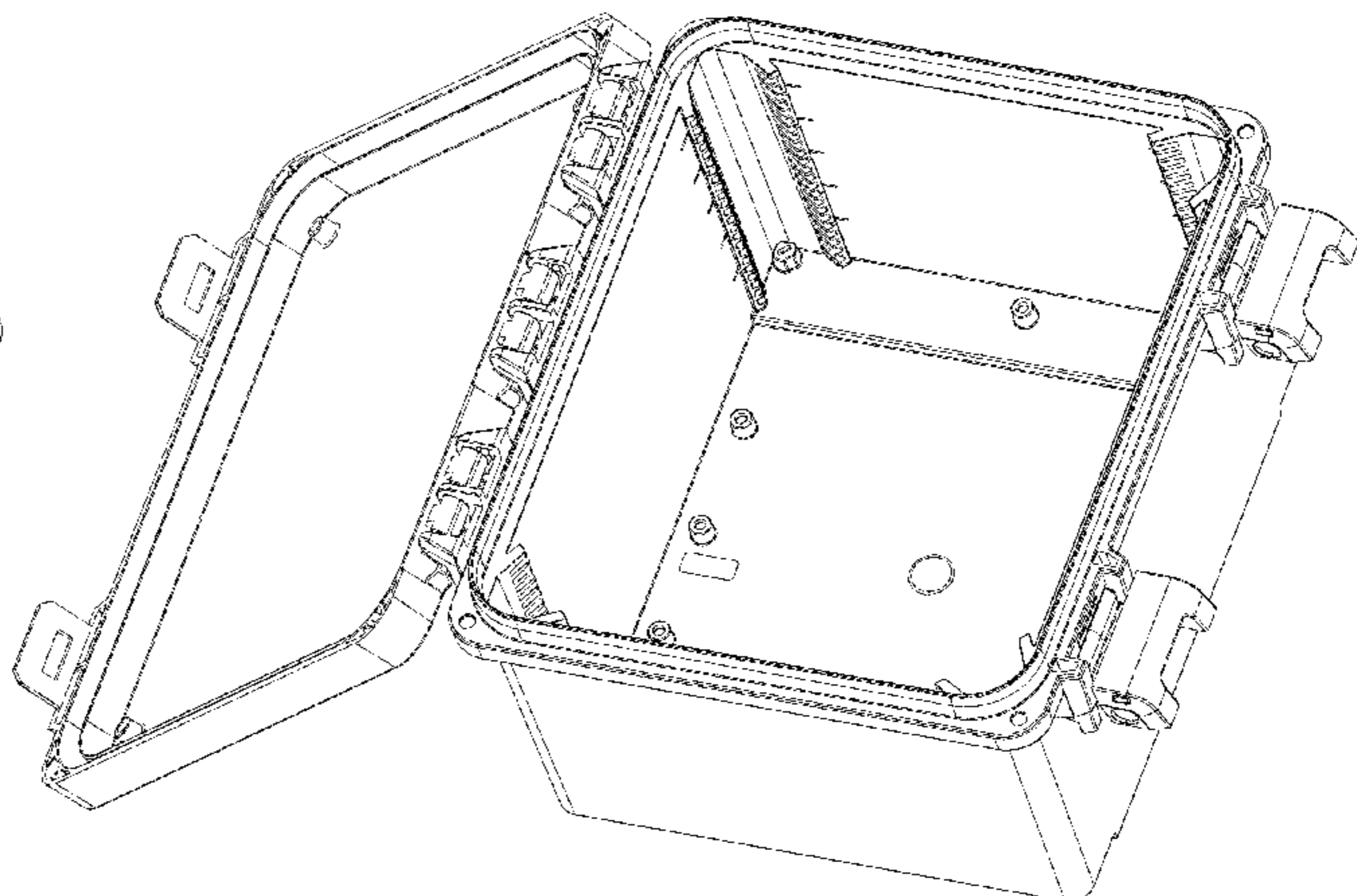
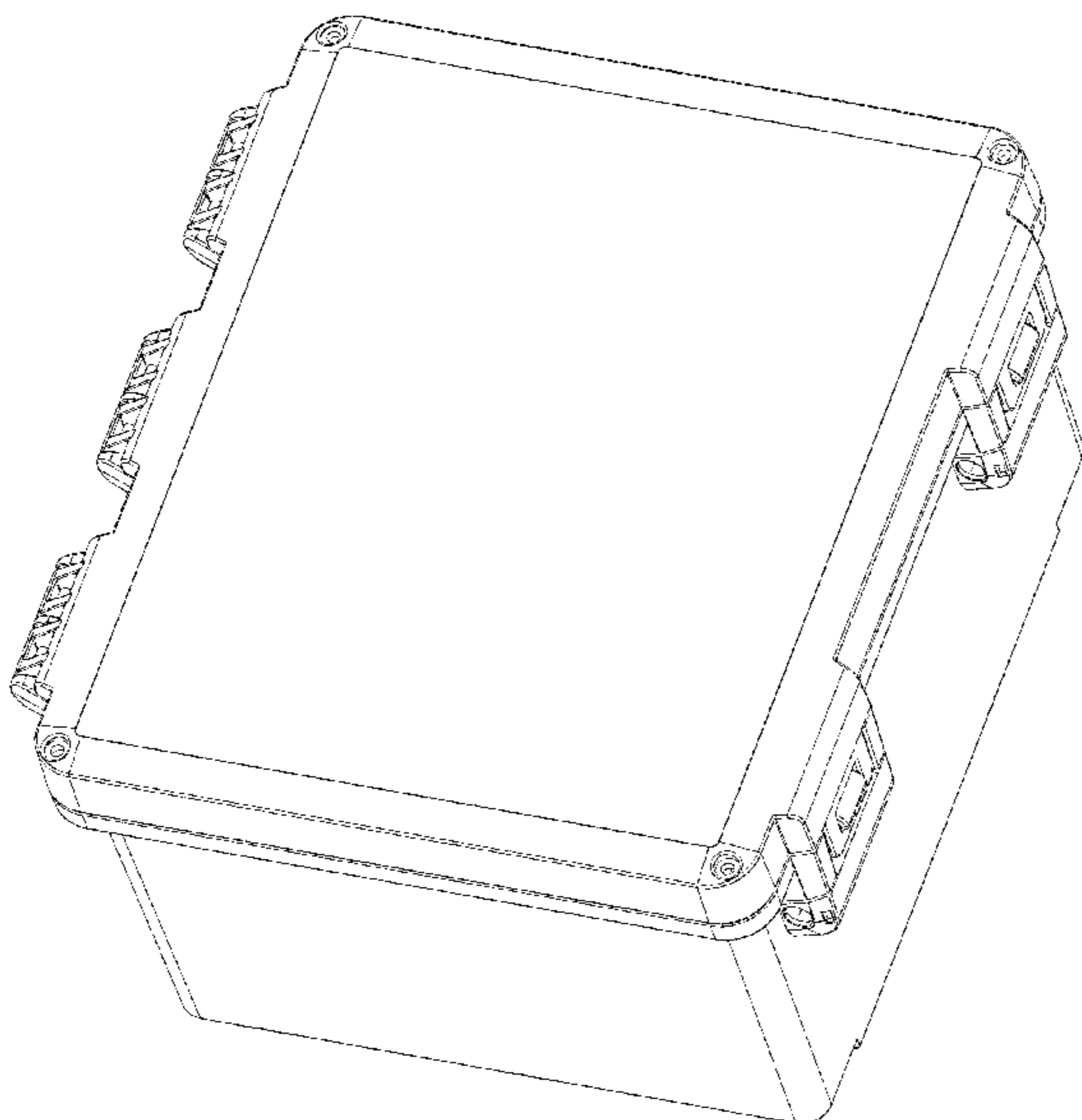
(57) **CLAIM**

The ornamental design for an electrical cabinet, as shown and described.

DESCRIPTION

FIG. 1 is a front perspective view of an electrical cabinet with a lid in a closed position, of our new design; FIG. 2 is a rear perspective view thereof; FIG. 3 is a right side view thereof; FIG. 4 is a left side view thereof; FIG. 5 is a top view with the bottom view being a mirror image thereof; FIG. 6 is a rear view thereof; and, FIG. 7 is a front perspective view of the electrical cabinet with the lid in an open position thereof.

1 Claim, 7 Drawing Sheets



(56)

References Cited

U.S. PATENT DOCUMENTS

D825,464 S * 8/2018 Xie D13/119
D825,465 S * 8/2018 Deng D13/119
D853,320 S * 7/2019 Guo D13/103
D861,606 S * 10/2019 Yang D13/119
D881,812 S * 4/2020 Yang D13/119
D883,196 S * 5/2020 Chen D13/103
D885,326 S * 5/2020 Zhang D13/103
D886,045 S * 6/2020 Deng D13/103
D886,738 S * 6/2020 Huang D13/119
D896,179 S * 9/2020 Yang D13/119
2012/0132657 A1 * 5/2012 Seiders B65D 81/3816
220/592.2
2014/0125271 A1 * 5/2014 Wang G06F 1/1632
320/107
2015/0352711 A1 * 12/2015 Brunner B65D 25/18
206/349
2017/0197765 A1 * 7/2017 Hu B65D 25/2852
2017/0233155 A1 * 8/2017 Daws, II E05B 63/244
220/324
2018/0172413 A1 * 6/2018 Luis y Prado B65D 25/108
2018/0186550 A1 * 7/2018 Morine F25D 3/08
2019/0316834 A1 * 10/2019 Hixon F25D 23/12
2020/0148428 A1 * 5/2020 Georgiadis B65D 43/0256
2020/0295580 A1 * 9/2020 Bishop H02J 7/025
2020/0324943 A1 * 10/2020 Mattila E05B 17/0025
2020/0407133 A1 * 12/2020 Morris, Jr. B65D 55/06

* cited by examiner

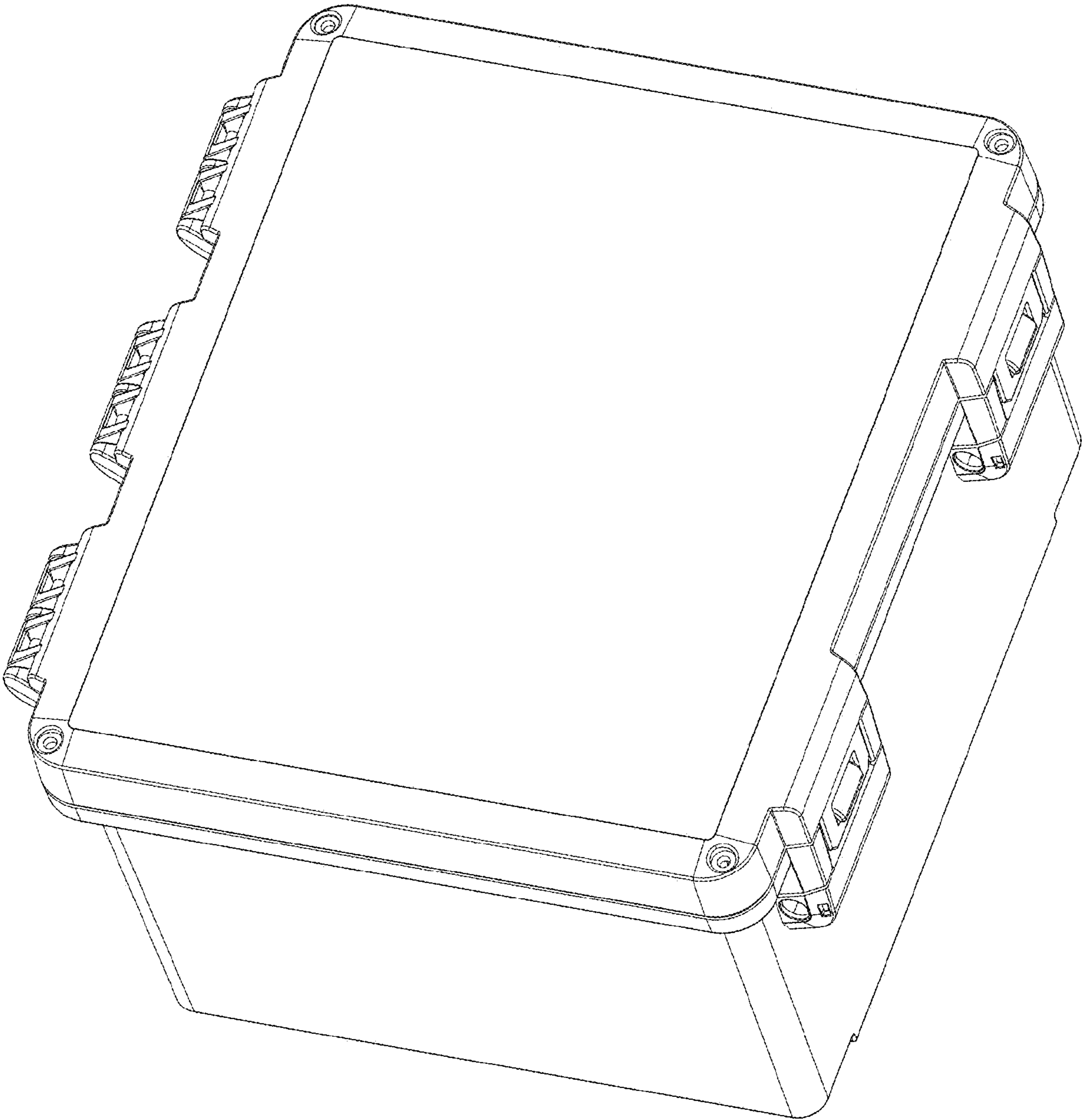


FIG. 1

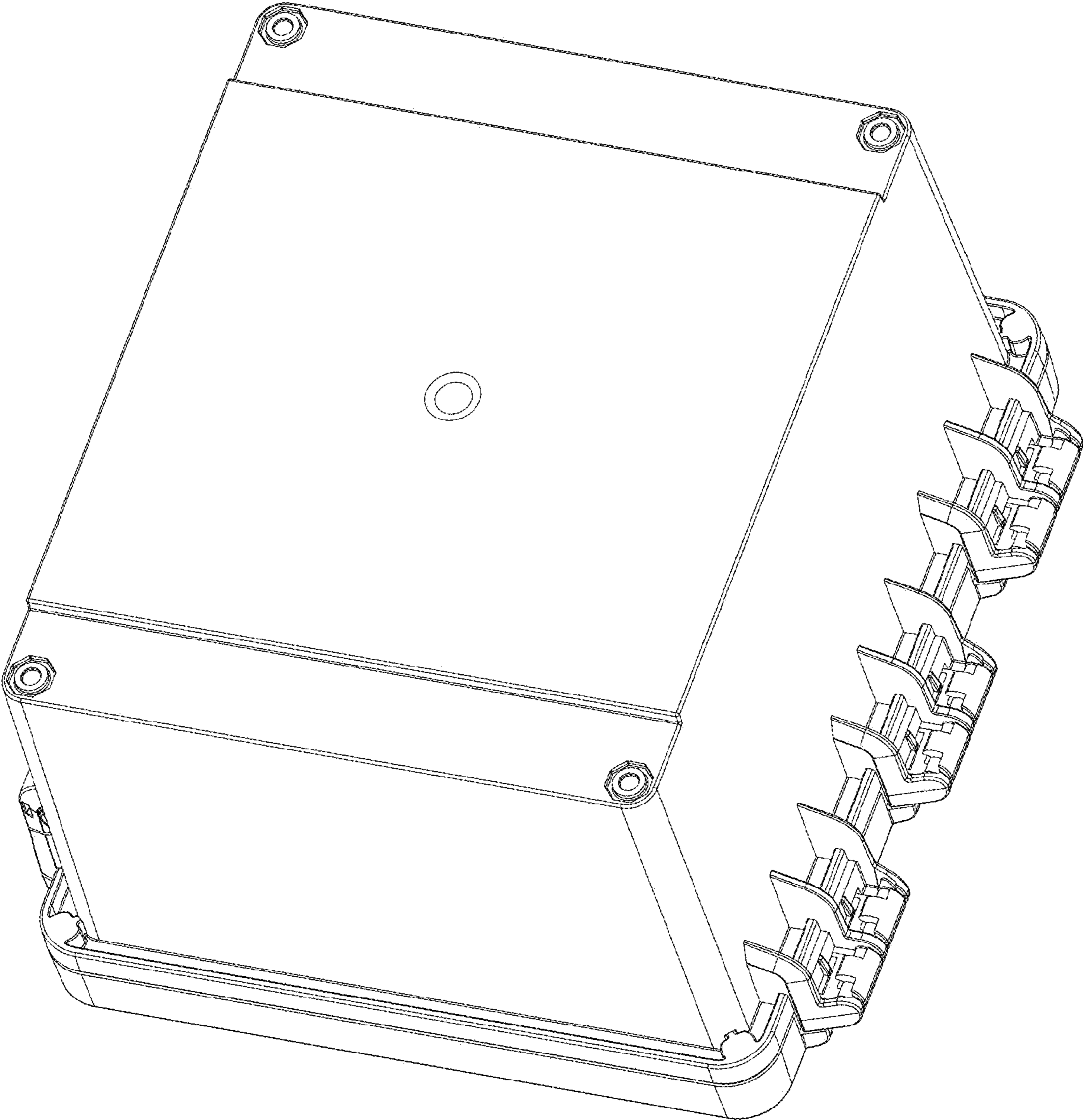


FIG. 2

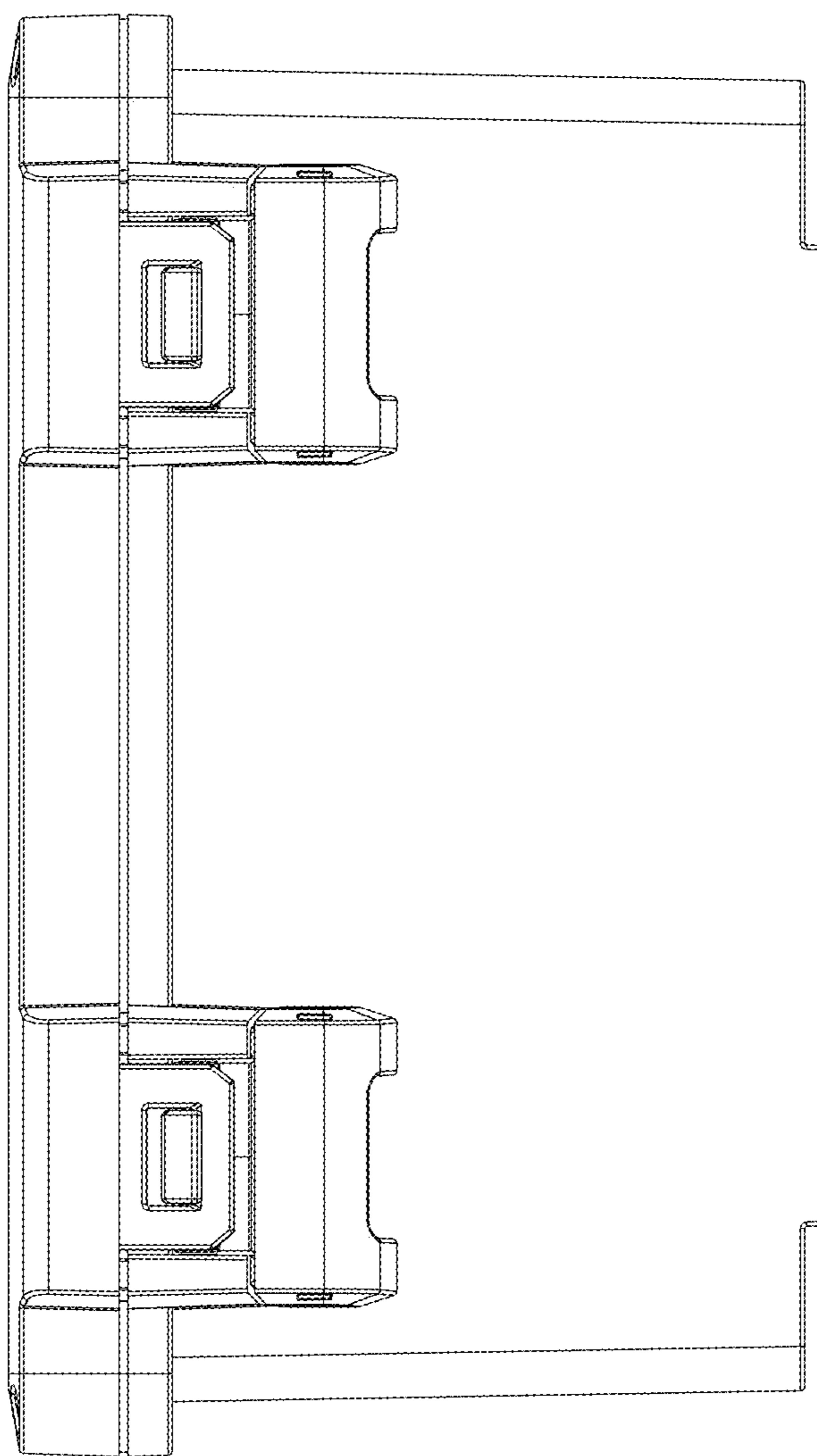


FIG. 3

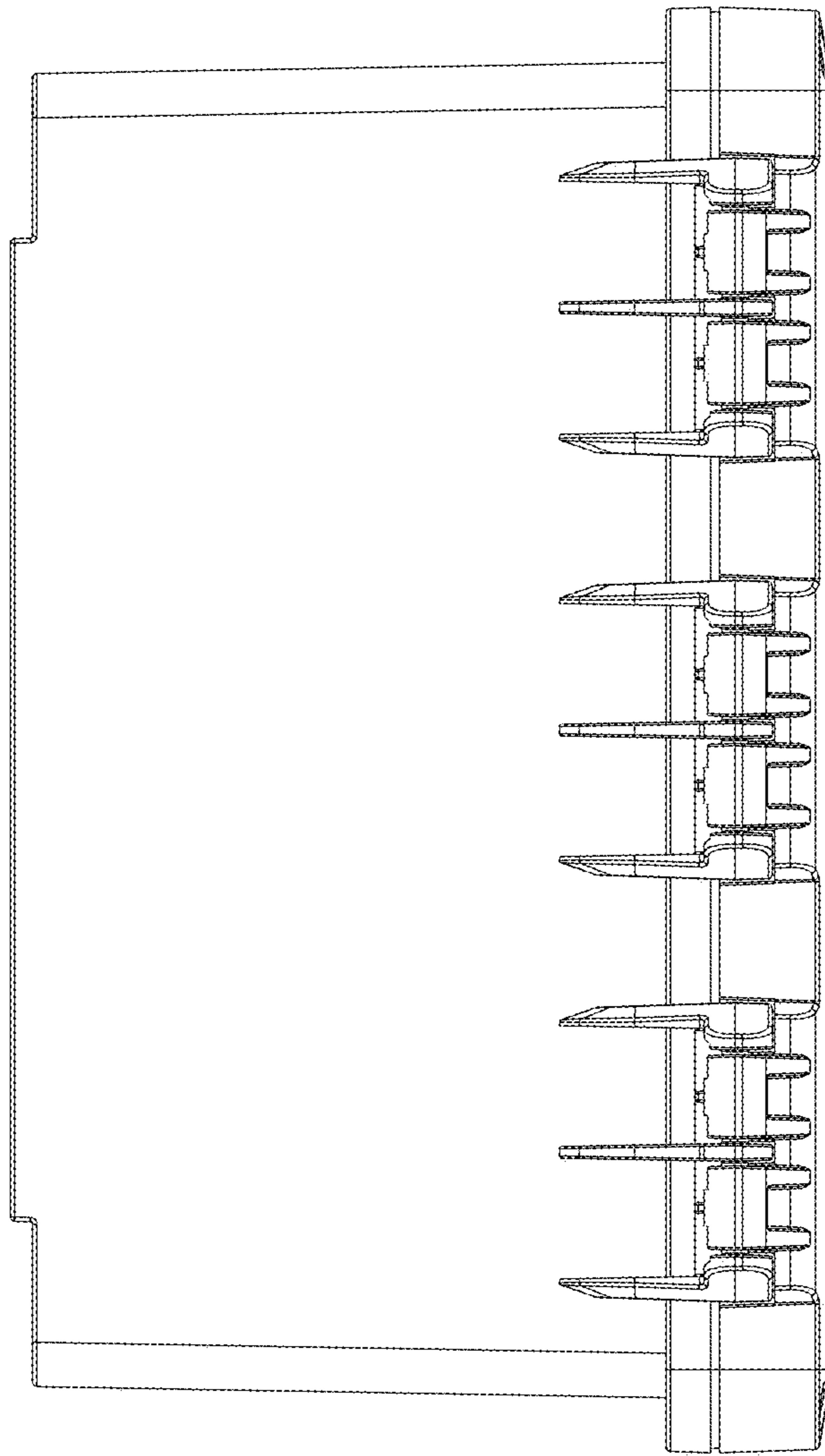


FIG. 4

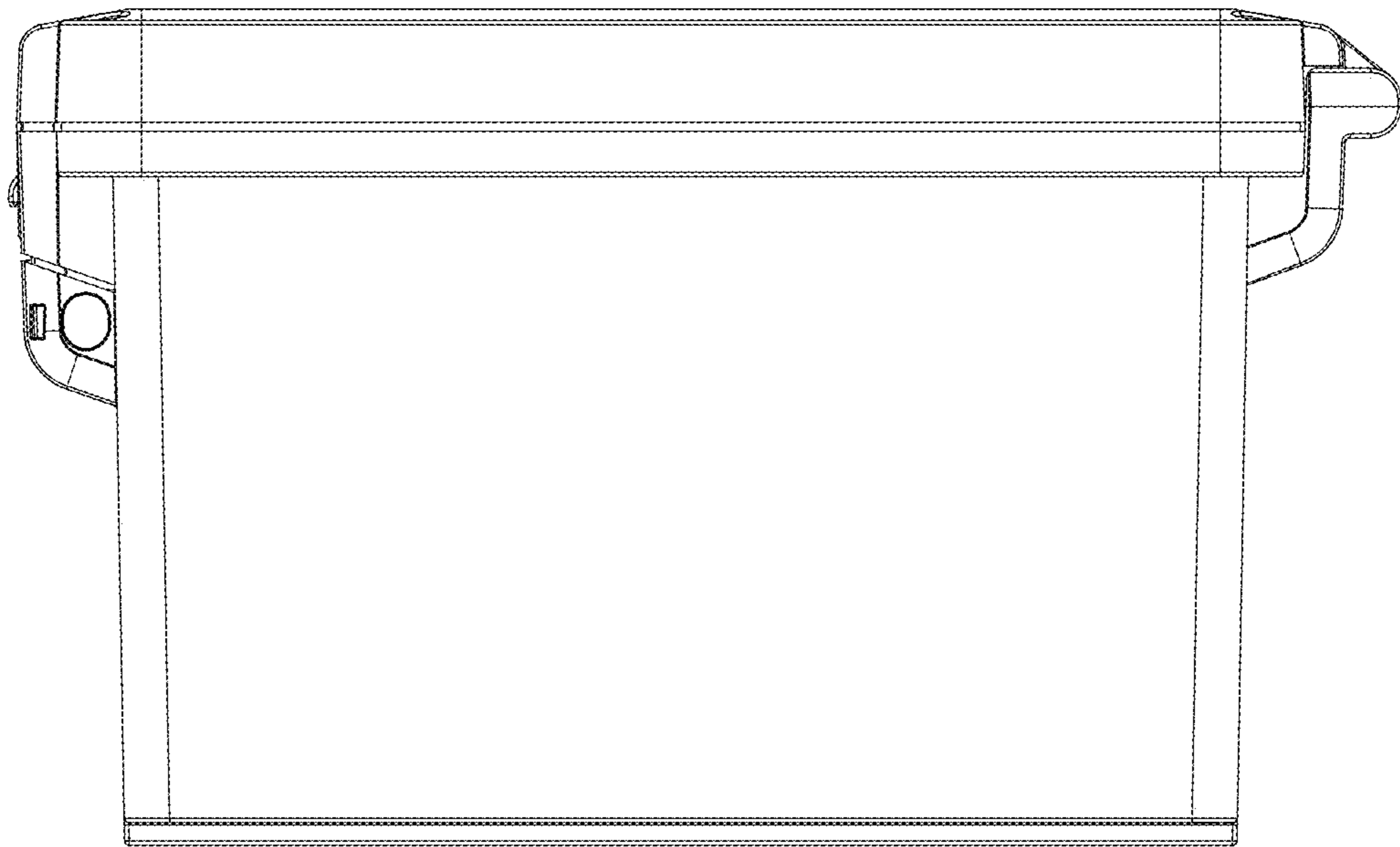


FIG. 5

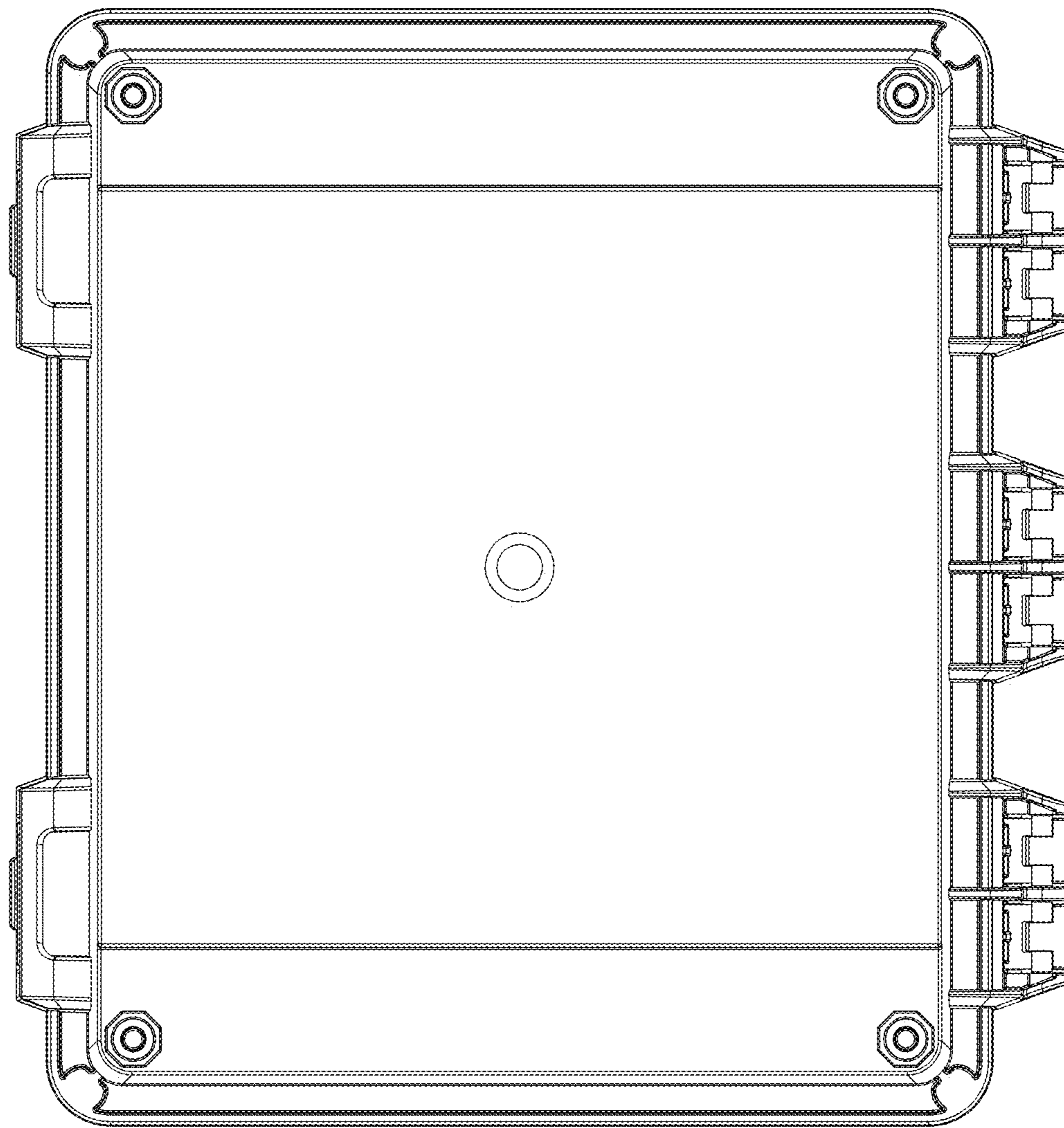


FIG. 6

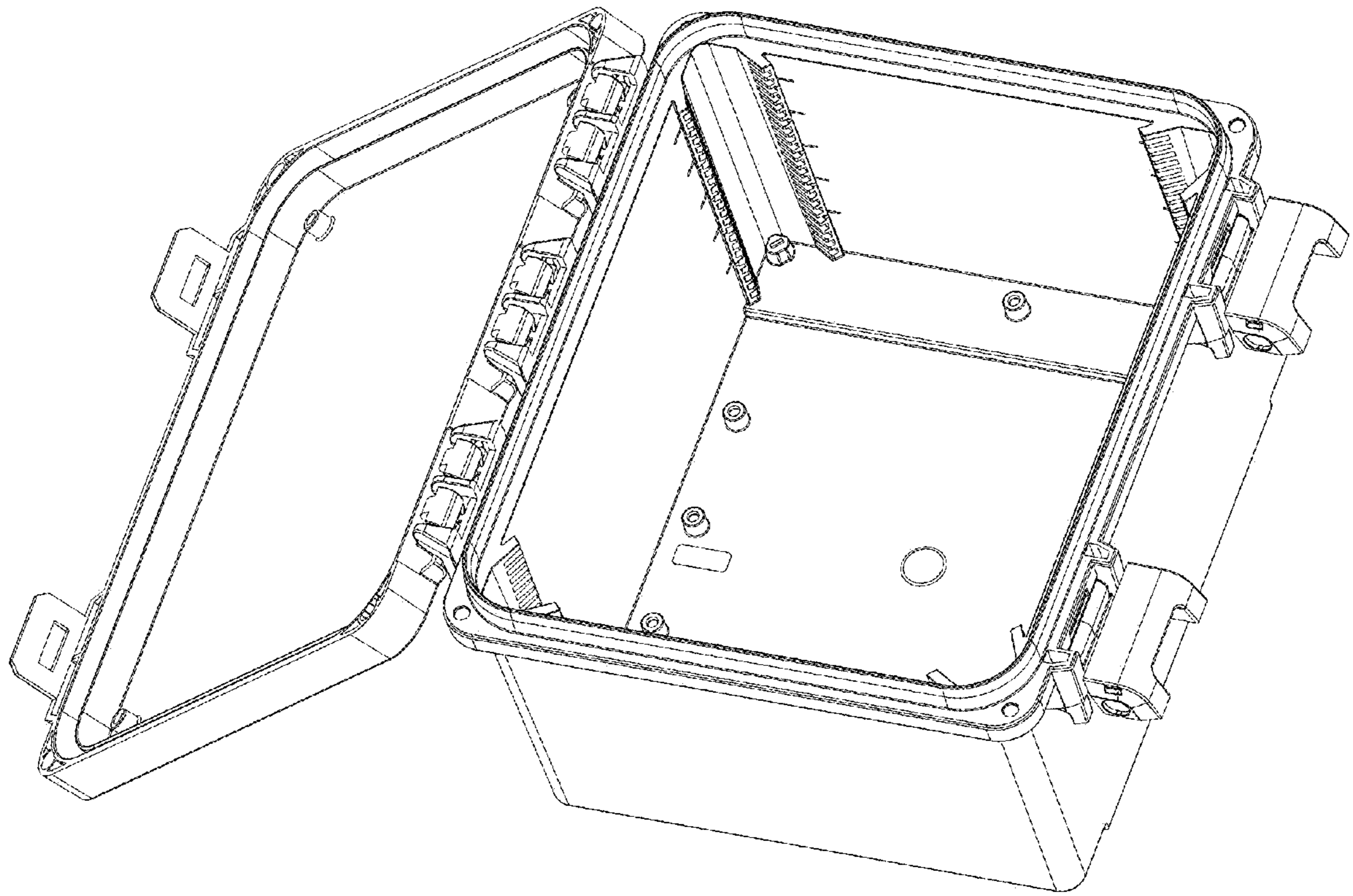


FIG. 7