



US00D920933S

(12) **United States Design Patent** (10) **Patent No.:** **US D920,933 S**
Elwell et al. (45) **Date of Patent:** **** *Jun. 1, 2021**

- (54) **SURFACE-MOUNT DEVICE**
- (71) Applicant: **Putco, Inc.**, Des Moines, IA (US)
- (72) Inventors: **James P. Elwell**, Grimes, IA (US);
James P. Elwell, II, Grimes, IA (US);
Joshua J. Burhite, Des Moines, IA (US); **Tian Xiaojun**, Guangzhou (CN)
- (73) Assignee: **Putco, Inc.**, Des Moines, IA (US)
- (*) Notice: This patent is subject to a terminal disclaimer.
- (**) Term: **15 Years**
- (21) Appl. No.: **29/652,502**
- (22) Filed: **Sep. 4, 2020**

- D494,286 S 8/2004 Matsui et al.
- D506,187 S 6/2005 Wang et al.
- D507,544 S 7/2005 Wang et al.
- D509,809 S 9/2005 Wang et al.
- D514,530 S 2/2006 Matsui et al.
- D515,517 S 2/2006 Matsui et al.
- D522,974 S 6/2006 Egawa
- D522,975 S 6/2006 Egawa et al.
- D529,203 S 9/2006 Nagai
- D565,757 S 4/2008 Matsui et al.
- D566,056 S 4/2008 Edmond et al.
- D566,057 S 4/2008 Edmond et al.
- D573,551 S 7/2008 Lee
- D574,337 S 8/2008 Panaccione et al.
- D582,865 S 12/2008 Edmond et al.
- D582,866 S 12/2008 Edmond et al.
- D593,968 S 6/2009 Edmond et al.
- D607,423 S 1/2010 Lu et al.
- D619,110 S 7/2010 Lin et al.
- D635,525 S 4/2011 Edmond et al.

(Continued)

Primary Examiner — Selina Sikder

(74) Attorney, Agent, or Firm — McKee, Voorhees & Sease, PLC

Related U.S. Application Data

- (60) Division of application No. 29/723,356, filed on Feb. 6, 2020, now Pat. No. Des. 899,384, which is a continuation-in-part of application No. 16/673,434, filed on Nov. 4, 2019, now Pat. No. 10,859,229.

(51) **LOC (13) Cl.** **13-03**

(52) **U.S. Cl.**
USPC **D13/180**

(58) **Field of Classification Search**

USPC 13/180; D26/1
 CPC ... H01L 25/167; H01L 25/0753; H01L 27/15;
 H01L 27/156; H01L 31/02; H01L 33/00;
 H01L 33/04; H01L 33/08; H01L 33/10;
 H01L 33/20; H01L 33/38; H01L 33/42;
 H01L 33/48; H01L 33/483; H01L 33/486;
 F21K 9/00

See application file for complete search history.

(56) **References Cited**

U.S. PATENT DOCUMENTS

- 5,162,696 A 11/1992 Goodrich
- 6,299,337 B1 10/2001 Bachl et al.

(57) **CLAIM**

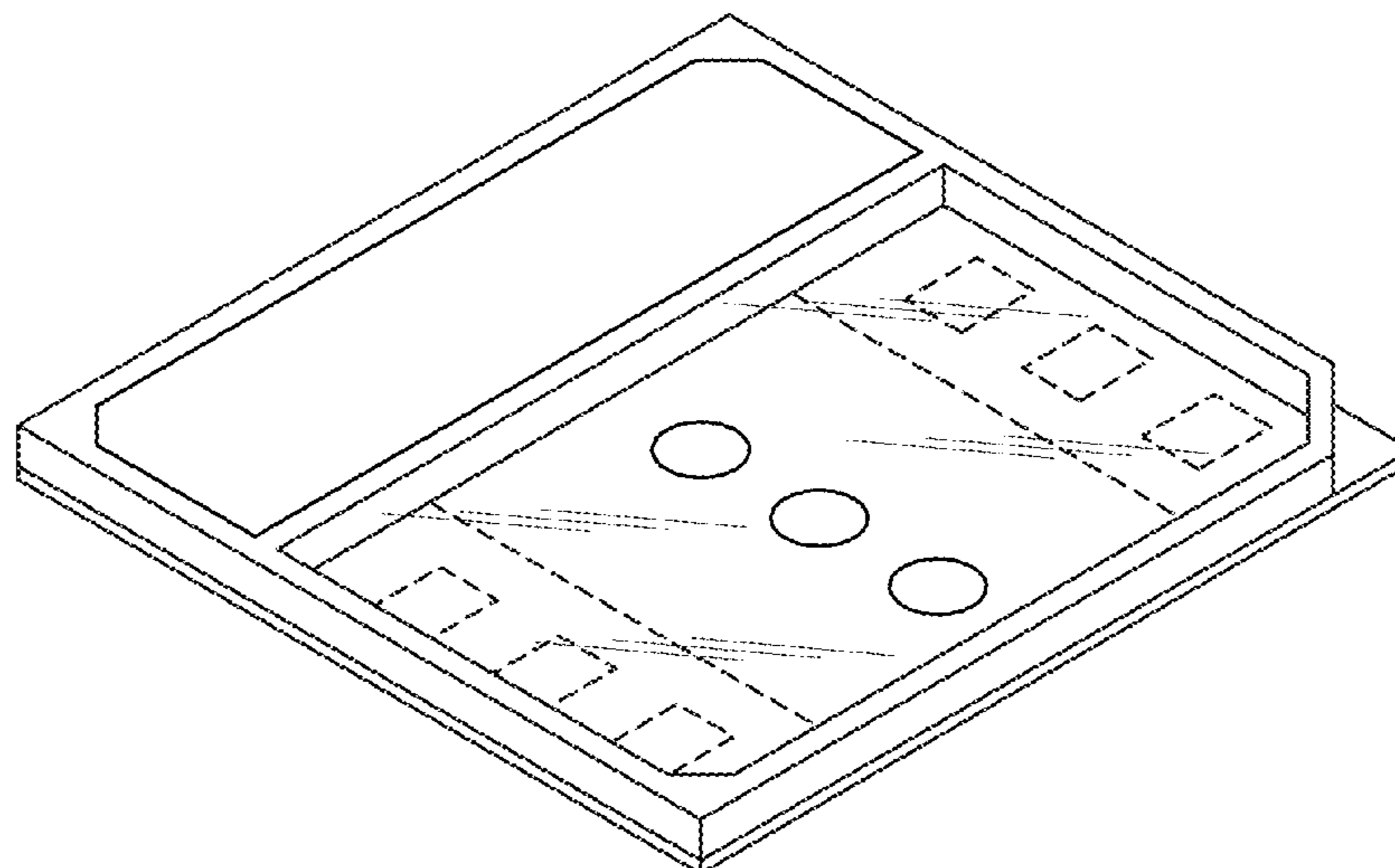
The ornamental design for a surface-mount device, as shown and described.

DESCRIPTION

FIG. 1 is a perspective view of a surface-mount device;
 FIG. 2 is a front view thereof;
 FIG. 3 is a rear view thereof;
 FIG. 4 is a left-side view thereof;
 FIG. 5 is a right-side view thereof;
 FIG. 6 is a top view thereof; and,
 FIG. 7 is a bottom view thereof.

Structure and environment shown in broken lines form no part of the claimed design.

1 Claim, 4 Drawing Sheets



(56)

References Cited

U.S. PATENT DOCUMENTS

8,227,815 B2	7/2012	Park	D709,039 S	7/2014	Ko et al.
D668,234 S	10/2012	Lee et al.	D709,042 S	7/2014	Cai
D669,869 S	10/2012	Lee et al.	D712,851 S	9/2014	Cai et al.
D673,126 S	12/2012	Donofrio et al.	D729,752 S	5/2015	Chou et al.
D674,357 S	1/2013	Lin et al.	D730,303 S	5/2015	Chou et al.
D674,358 S	1/2013	Lin et al.	D745,474 S	12/2015	Feng
D674,359 S	1/2013	Lin et al.	D768,094 S	10/2016	Chen et al.
D674,360 S	1/2013	Lin et al.	D769,199 S	10/2016	Chen et al.
D674,361 S	1/2013	Lin et al.	D786,460 S	5/2017	Wu et al.
D674,362 S	1/2013	Lin et al.	D787,712 S	5/2017	Wu et al.
D674,363 S	1/2013	Lin et al.	D794,582 S	8/2017	Zhang et al.
D675,169 S	1/2013	Chou	D795,822 S	8/2017	Zhang et al.
D680,976 S	4/2013	Lee et al.	D824,343 S	7/2018	Zhu et al.
D684,548 S	6/2013	Chu	D824,864 S	8/2018	Chen et al.
D684,549 S	6/2013	Chu et al.	D872,038 S	1/2020	Pan et al.
D684,940 S	6/2013	Chu et al.	D873,164 S	1/2020	Goltche
D684,941 S	6/2013	Chu et al.	10,615,308 B2	4/2020	Noichi et al.
D685,334 S	7/2013	Chu et al.	D899,384 S *	10/2020	Elwell D13/180
D686,173 S	7/2013	Chou et al.	2004/0129946 A1	7/2004	Nagai et al.
D687,395 S	8/2013	Chu	2006/0141851 A1	6/2006	Matsui et al.
D689,834 S	9/2013	Chu et al.	2007/0023769 A1	2/2007	Nishimoto et al.
D690,670 S	10/2013	Chu et al.	2007/0285922 A1	12/2007	Chen
D691,100 S	10/2013	Chan et al.	2010/0163917 A1	7/2010	Chiang
D691,569 S	10/2013	Edmond et al.	2011/0169408 A1	7/2011	Chen et al.
D693,779 S	11/2013	Chu et al.	2014/0191268 A1	7/2014	Ebisawa et al.
D693,780 S	11/2013	Chen et al.	2017/0084586 A1	3/2017	Chen et al.
D694,202 S	11/2013	Lin et al.	2017/0261161 A1	9/2017	Moon et al.
			2018/0145224 A1	5/2018	Kim et al.
			2019/0189680 A1	6/2019	Oh et al.

* cited by examiner

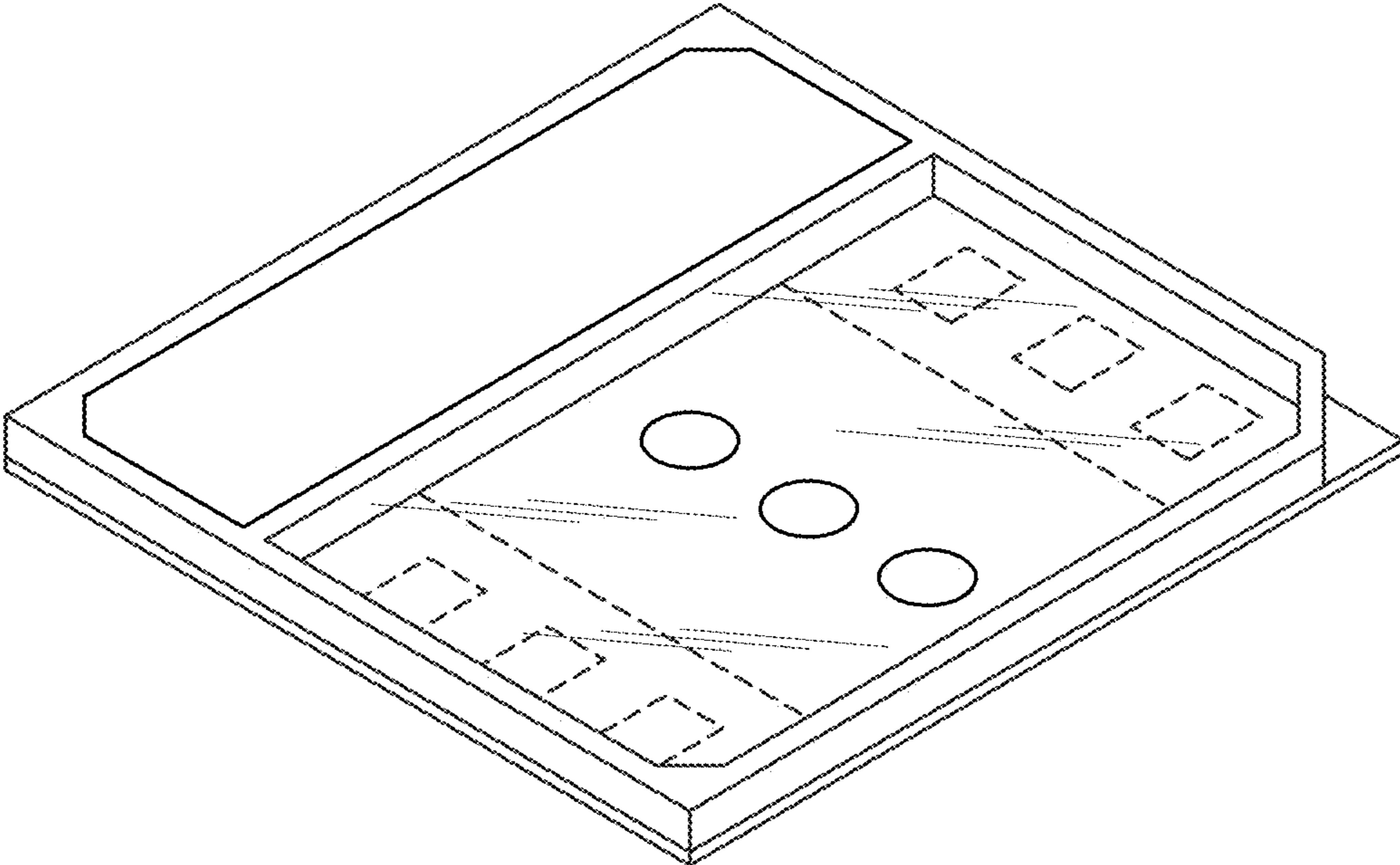


FIG. 1

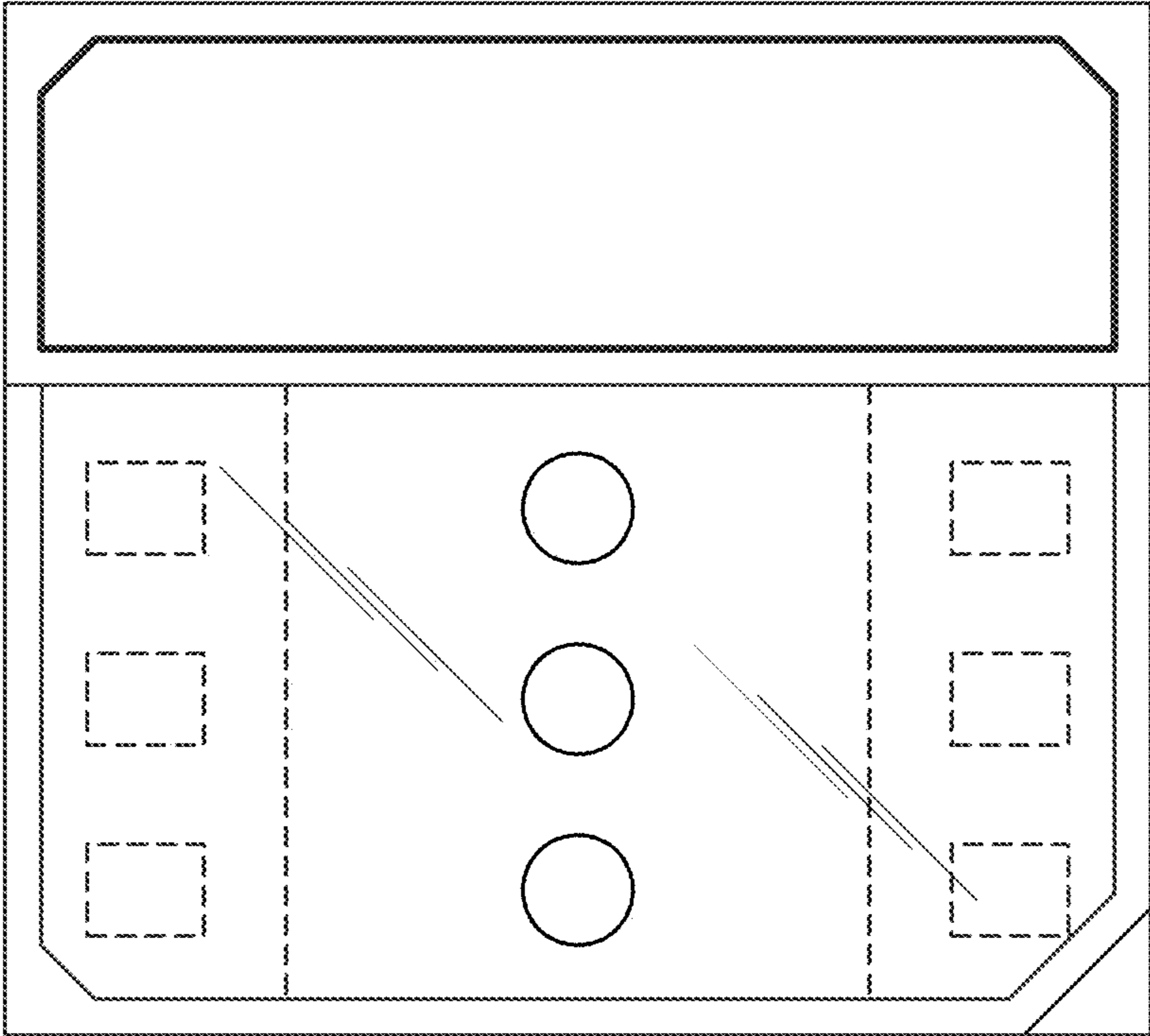


FIG. 2

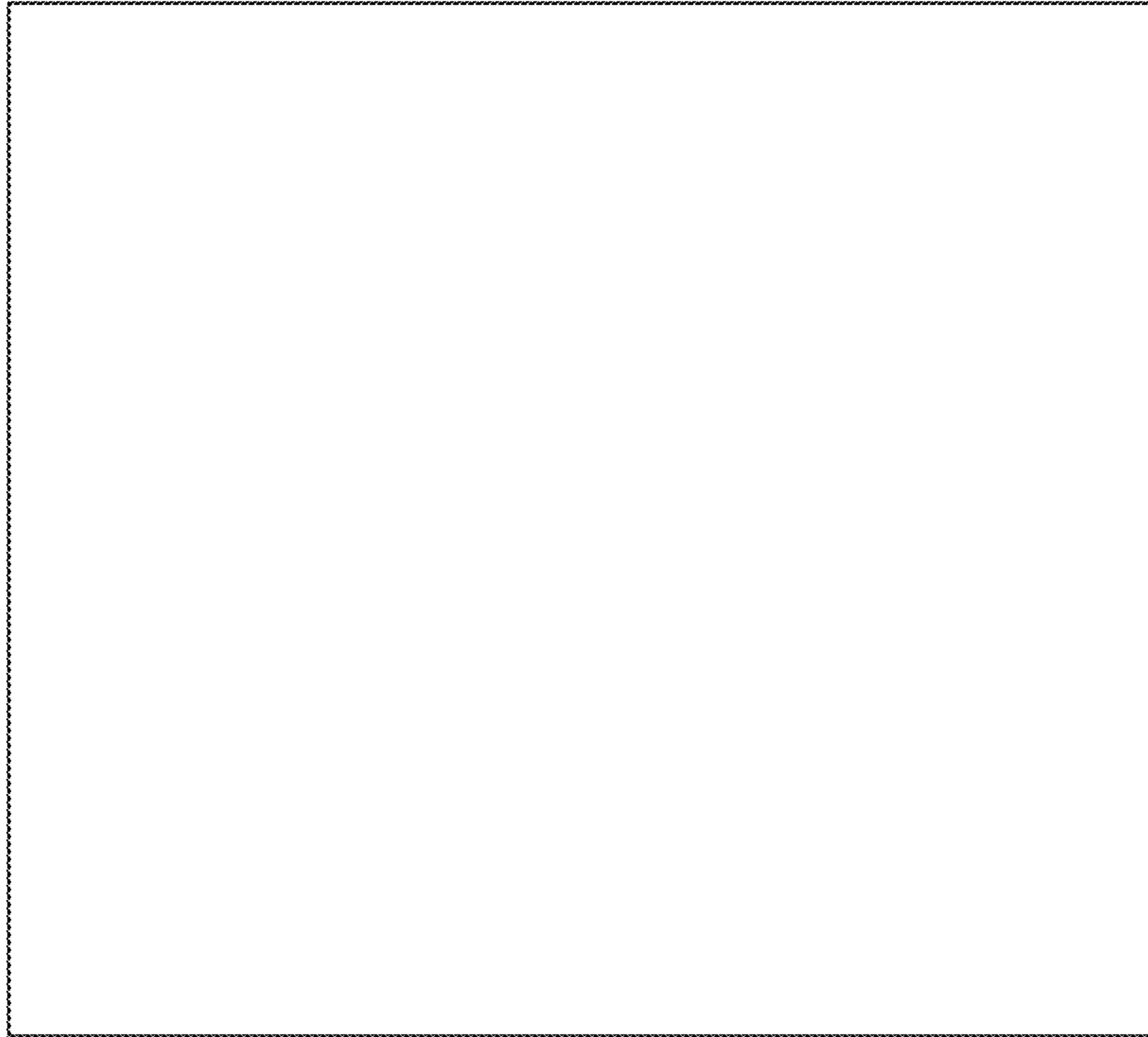


FIG. 3



FIG. 4



FIG. 5



FIG. 6



FIG. 7