



US00D920925S

(12) **United States Design Patent** (10) **Patent No.:** **US D920,925 S**
Morita et al. (45) **Date of Patent:** **** Jun. 1, 2021**

(54) **PUSH SWITCH**
 (71) Applicant: **OMRON Corporation**, Kyoto (JP)
 (72) Inventors: **Kazuaki Morita**, Izumo (JP); **Yusuke Komoguchi**, Okayama (JP); **Tadahiko Ogawa**, Moriyama (JP); **Masami Nishida**, Osaka (JP)

4,867,699 A * 9/1989 Oda H01R 13/64
 439/355
 D307,000 S * 4/1990 Sasaki D13/125
 5,022,874 A * 6/1991 Lostumo H01J 29/925
 439/275

(Continued)

FOREIGN PATENT DOCUMENTS

JP 07141958 A * 6/1995 H01H 3/142
 JP 3144604 * 6/2008 H01R 4/20
 KR 3005139730002 12/2008

(73) Assignee: **OMRON Corporation**, Kyoto (JP)
 (**) Term: **15 Years**

OTHER PUBLICATIONS

Blueoceantackle.com Crimping Sleeves—Thimbles—Stop Sleeves, dated Jul. 20, 2016, [online], [site visited Dec. 4, 2020]. Available from Internet, URL: <http://blueoceantackle.com/commercial-fishing-supply/crimping-sleeves/> (Year: 2016).*

(Continued)

(21) Appl. No.: **29/636,241**
 (22) Filed: **Feb. 7, 2018**
 (30) **Foreign Application Priority Data**
 Dec. 26, 2017 (JP) 2017-029129

Primary Examiner — Shawn T Gingrich
 (74) *Attorney, Agent, or Firm* — Capitol City TechLaw

(51) **LOC (13) Cl.** **13-03**
 (52) **U.S. Cl.**
 USPC **D13/158**; D13/171
 (58) **Field of Classification Search**
 USPC D13/107, 112, 118, 123, 133, 158–162,
 D13/173, 174, 184, 199, 171
 CPC B60Q 1/00; B60Q 1/52; F21S 4/00; F21S
 8/10; F21S 41/24; F21S 41/162; F21V
 29/00; F21V 19/00; G02B 6/00; G02B
 6/36; H01R 12/00; H01R 13/00; H01R
 33/00; H01R 24/00; H01H 9/04; H01H
 13/04; H01H 13/14; H01H 19/06; H01H
 19/46; H01H 2223/002; H01H 25/04
 See application file for complete search history.

(57) **CLAIM**

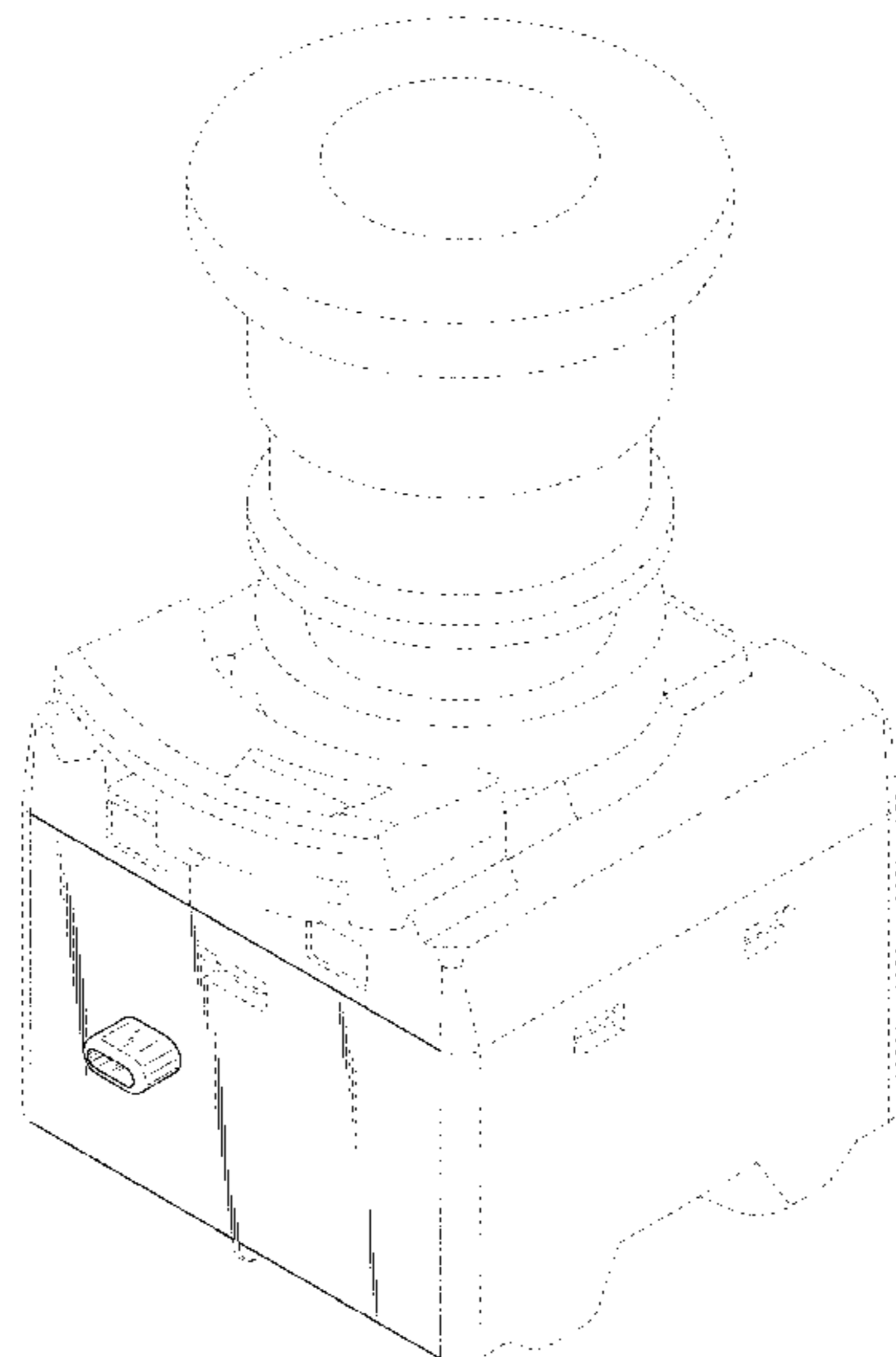
The ornamental design for a push switch, as shown and described.

DESCRIPTION

FIG. 1 is a top, front, and right side perspective view of a push switch showing our new design;
 FIG. 2 is a front view thereof;
 FIG. 3 is a left side view thereof;
 FIG. 4 is a right side view thereof; and,
 FIG. 5 is a bottom view thereof.
 The dashed broken lines illustrate portions of the push switch that form no part of the claimed design. The dot dashed broken lines depict the bounds of the claim and form no part thereof. The unshaded surfaces form no part of the claimed design.

(56) **References Cited**
 U.S. PATENT DOCUMENTS
 3,436,719 A * 4/1969 Scheinbaum H01M 2/22
 439/510
 4,537,458 A * 8/1985 Worth H01R 13/6584
 439/497

1 Claim, 5 Drawing Sheets



(56)

References Cited

U.S. PATENT DOCUMENTS

5,568,006 A * 10/1996 Luff H03H 9/1021
 310/340
 D385,476 S * 10/1997 Hill D8/356
 D596,584 S * 7/2009 Bedggood D13/158
 D795,875 S * 8/2017 Kim D14/433
 10,020,617 B1 * 7/2018 Kung G06F 21/85
 D850,388 S * 6/2019 Morita D13/158
 10,630,018 B1 * 4/2020 Yang H01R 12/55
 10,910,174 B2 * 2/2021 Morita H01H 13/04
 2005/0070147 A1 * 3/2005 Hung H01R 43/015
 439/352
 2005/0217985 A1 * 10/2005 Fleege H01H 71/08
 200/293
 2009/0247019 A1 * 10/2009 Hadir H01H 11/0031
 439/712
 2016/0141817 A1 * 5/2016 Wu H01R 24/60
 439/676
 2016/0226200 A1 * 8/2016 Xing H01R 13/7172
 2016/0336694 A1 * 11/2016 Chang H01R 13/6658
 2016/0358729 A1 * 12/2016 Hisada H01H 9/04
 2016/0380387 A1 * 12/2016 Wu H01R 13/6658
 439/95
 2017/0093088 A1 * 3/2017 Tanaka H01R 13/6215
 2017/0194756 A1 * 7/2017 Chang H01R 25/003
 2017/0207580 A1 * 7/2017 Wu H01R 12/515
 2017/0229810 A1 * 8/2017 Zhang H01R 13/502

2018/0109027 A1 * 4/2018 Kaneko B60R 16/02
 2018/0173326 A1 * 6/2018 Mathias G06F 3/02
 2018/0219318 A1 * 8/2018 Kim B60R 16/03
 2021/0066002 A1 * 3/2021 Morita H01H 9/285

OTHER PUBLICATIONS

BQLZR 1mm Wire Rope Oval Aluminum Clip Ferrule Sleeves Clamp, dated Sep. 17, 2014, [online], [site visited Dec. 4, 2020]. Available from Internet, URL: https://www.amazon.co.uk/BQLZR-Aluminum-Ferrule-Sleeves-Clamp/dp/B00NL49SW8/ref=sr_1_15?dchild=1&keywords=oval+sleeve&qid=1607112842&sr=8-15 (Year: 2014).*

Cardomain.com-Jagster559's 2002 Jaguar X-Type, dated Jan. 20, 2006, [online], [site visited Dec. 4, 2020]. Available from Internet, URL: <http://www.cardomain.com/ride/2186186/2002-jaguar-x-type/> (Year: 2006).*

Exhaust Tip 2.50" Inlet, dated Apr. 18, 2010, [online], [site visited Dec. 4, 2020]. Available from Internet, URL: <https://www.amazon.com/Exhaust-Stainless-W55009-250-BOSS-RS-SS-Wesdon/dp/B07KSKFS1M> (Year: 2010).*

Kazuaki Morita et al., Push Switch, Design U.S. Appl. No. 29/636,231, filed Feb. 7, 2018, in the USPTO.

Kazuaki Morita et al., Push Switch, Design U.S. Appl. No. 29/636,249, filed Feb. 7, 2018, in the USPTO.

* cited by examiner

Fig. 1

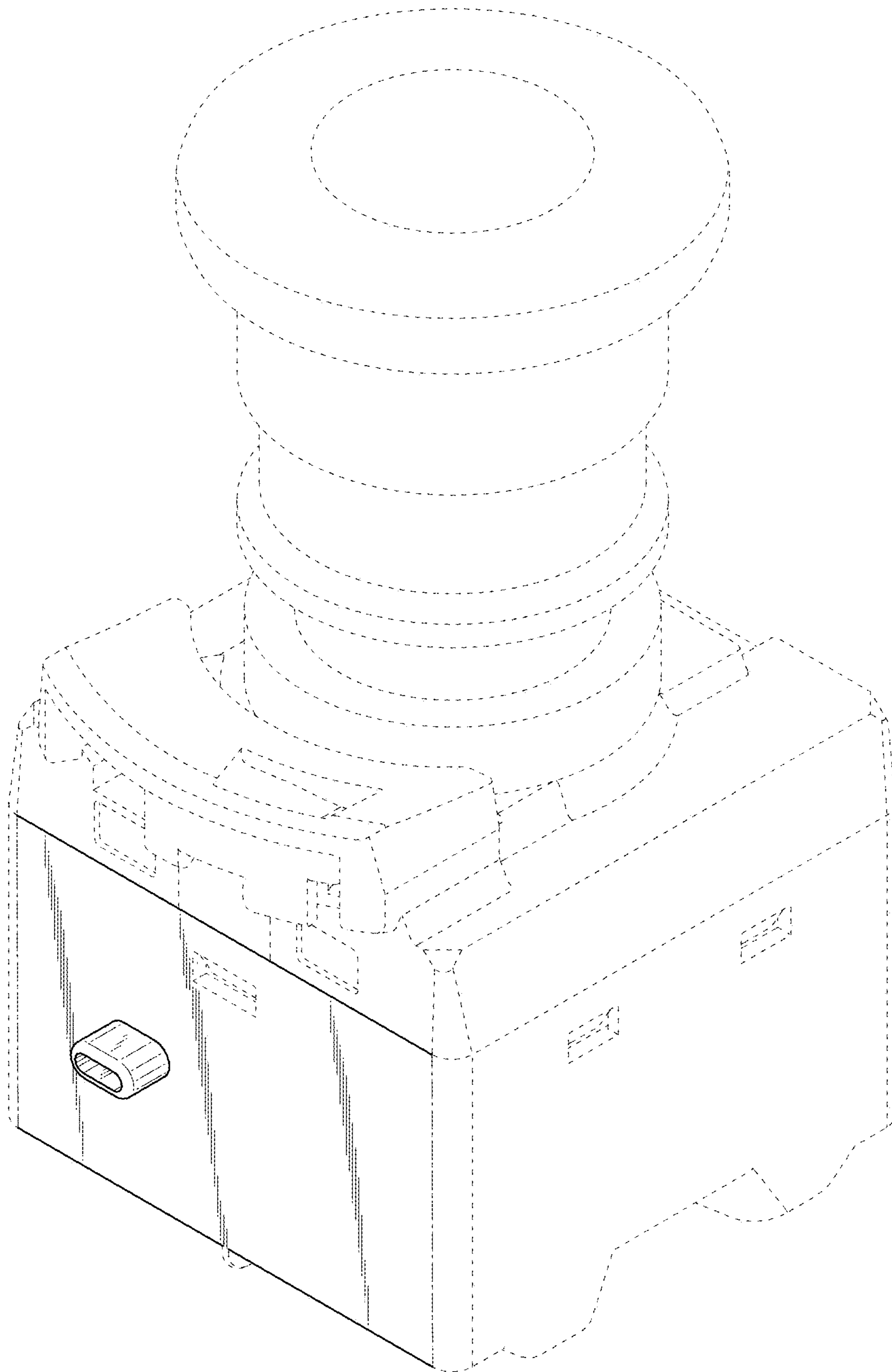


Fig. 2

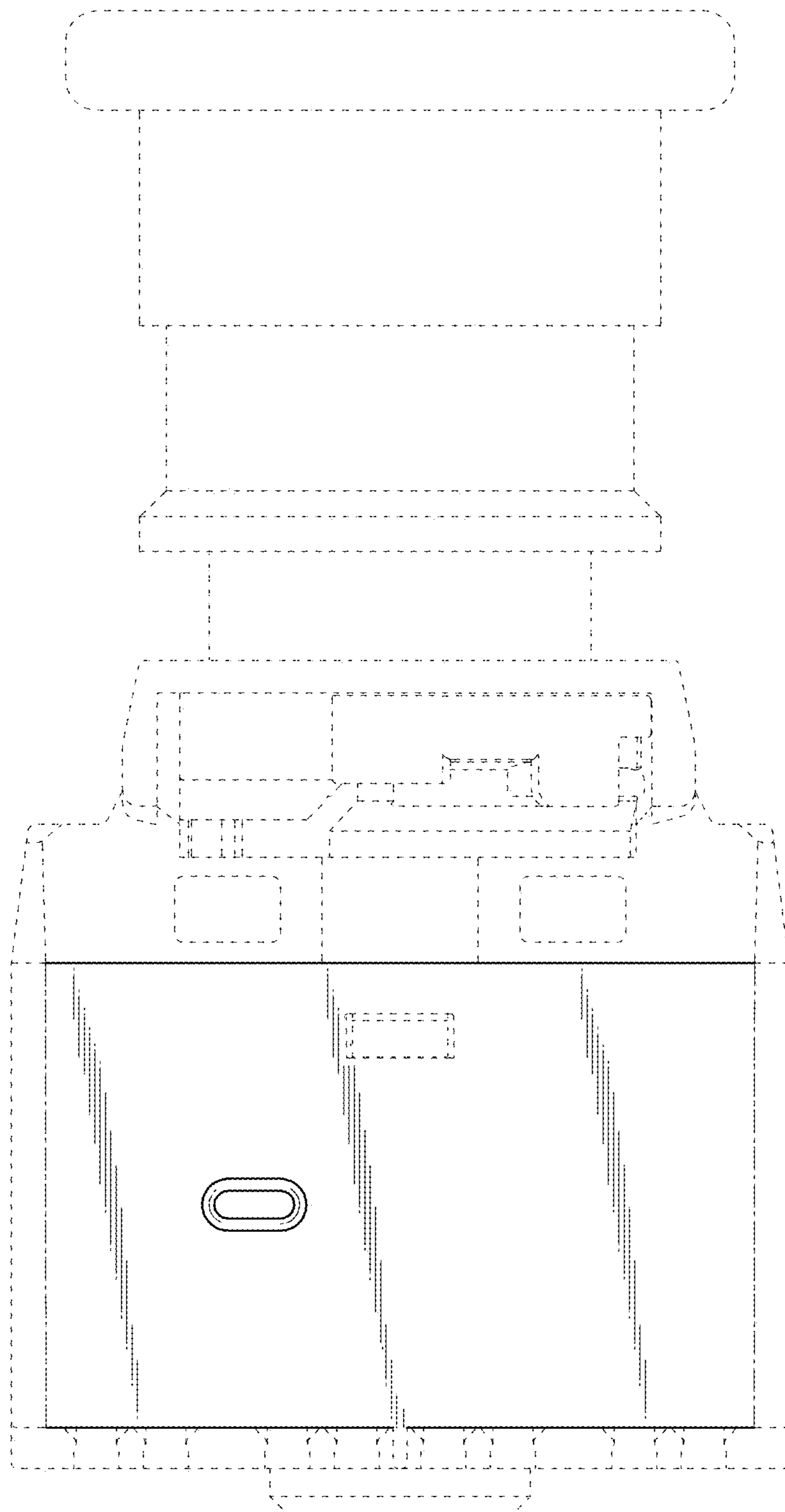


Fig. 3

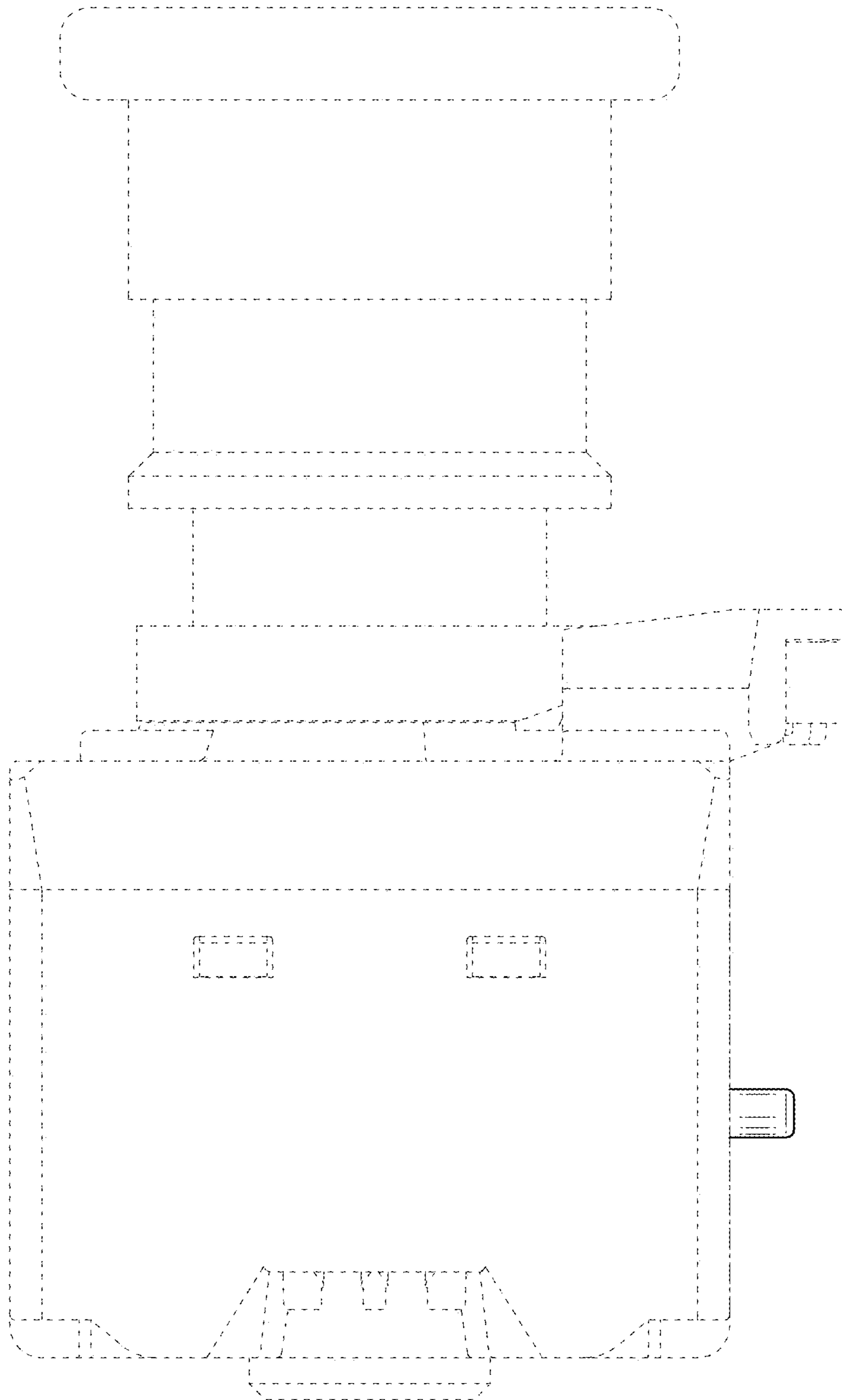


Fig. 4

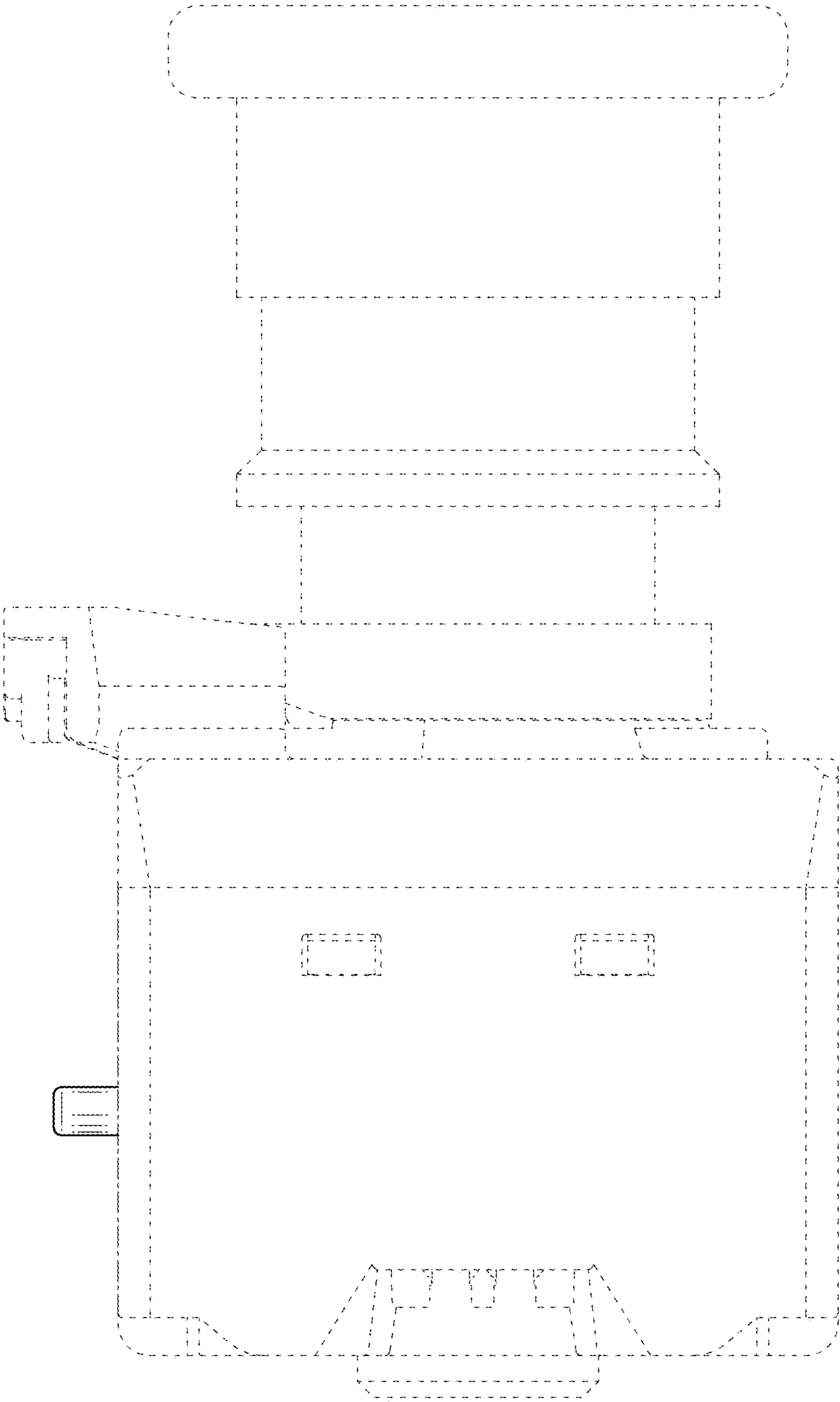


Fig. 5

