



US00D920924S

(12) **United States Design Patent** (10) **Patent No.:** **US D920,924 S**  
**Morita et al.** (45) **Date of Patent:** **\*\* Jun. 1, 2021**

(54) **PUSH SWITCH** 4,354,722 A \* 10/1982 Morel ..... H01R 4/4845  
439/437  
(71) Applicant: **OMRON Corporation**, Kyoto (JP) D302,421 S \* 7/1989 Ichitsubo ..... D13/133  
D318,718 S \* 7/1991 Blatt ..... D23/262  
(72) Inventors: **Kazuaki Morita**, Izumo (JP); **Yusuke Komoguchi**, Okayama (JP); **Tadahiko Ogawa**, Moriyama (JP); **Masami Nishida**, Osaka (JP) D386,150 S 11/1997 Zinnert  
D388,768 S 1/1998 Cheng  
(Continued)

**FOREIGN PATENT DOCUMENTS**

(73) Assignee: **OMRON Corporation**, Kyoto (JP) JP D1593527 12/2017  
JP 2019121478 A \* 7/2019 ..... H01H 13/14  
(\*\*) Term: **15 Years** (Continued)

**OTHER PUBLICATIONS**

(21) Appl. No.: **29/636,231**  
(22) Filed: **Feb. 7, 2018**  
(30) **Foreign Application Priority Data**  
Dec. 26, 2017 (JP) ..... 2017-029128  
Dec. 26, 2017 (JP) ..... 2017-029131  
(51) **LOC (13) Cl.** ..... **13-03**  
(52) **U.S. Cl.**  
USPC ..... **D13/158**; D13/171  
(58) **Field of Classification Search**  
USPC ..... D13/107, 112, 118, 123, 133, 158-162,  
D13/173, 174, 184, 199, 171  
CPC ..... B60Q 1/00; B60Q 1/52; F21S 4/00; F21S  
8/10; F21S 41/24; F21S 41/162; F21V  
29/00; F21V 19/00; G02B 6/00; G02B  
6/36; H01R 12/00; H01R 13/00; H01R  
33/00; H01R 24/00; H01H 9/04; H01H  
13/04; H01H 13/14; H01H 19/06; H01H  
19/46; H01H 2223/002; H01H 25/04  
See application file for complete search history.  
(56) **References Cited**  
**U.S. PATENT DOCUMENTS**  
3,373,398 A \* 3/1968 Volinskie ..... H01R 13/20  
439/270  
4,093,332 A \* 6/1978 Simko ..... H01R 24/84  
439/293

Kazuaki Morita et al., Push Switch, Design U.S. Appl. No. 29/636,241, filed Feb. 7, 2018, in the USPTO.  
(Continued)

*Primary Examiner* — Shawn T Gingrich  
(74) *Attorney, Agent, or Firm* — Capitol City TechLaw

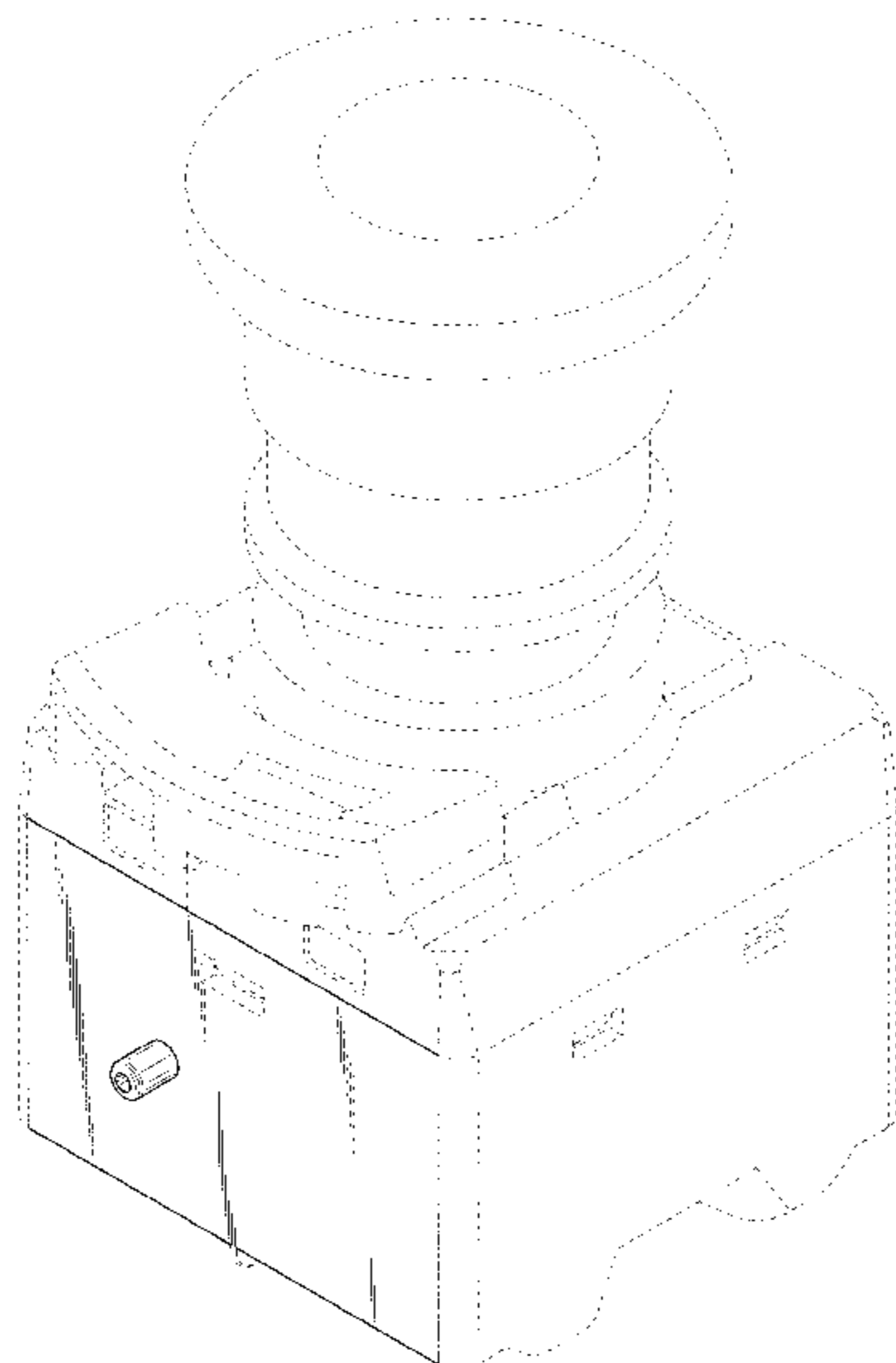
(57) **CLAIM**

The ornamental design for a push switch, as shown and described.

**DESCRIPTION**

FIG. 1 is a top, front, and right side perspective view of a push switch showing our new design;  
FIG. 2 is a front view thereof;  
FIG. 3 is a left side view thereof;  
FIG. 4 is a right side view thereof; and,  
FIG. 5 is a bottom view thereof.  
The dashed broken lines illustrate portions of the push switch that form no part of the claimed design. The dot dashed broken lines depict the bounds of the claim and form no part thereof. The unshaded surfaces form no part of the claimed design.

**1 Claim, 5 Drawing Sheets**



(56)

References Cited

U.S. PATENT DOCUMENTS

5,704,796 A \* 1/1998 Swenson ..... H01R 13/443  
439/148  
5,816,867 A \* 10/1998 Davidsz ..... H01R 4/4818  
439/828  
D413,323 S \* 8/1999 Tashiro ..... D13/123  
6,213,812 B1 \* 4/2001 Kan ..... H01R 13/6485  
381/384  
D495,659 S \* 9/2004 Shimaya ..... D13/147  
D577,438 S \* 9/2008 Gallogly ..... D24/129  
D596,139 S \* 7/2009 Bedggood ..... D13/158  
D596,200 S \* 7/2009 Ogawa ..... D15/5  
D601,503 S \* 10/2009 Gribble ..... D13/146  
D608,287 S \* 1/2010 Zheng ..... D13/147  
D613,254 S 4/2010 Tsuduki  
D640,153 S \* 6/2011 Okitsu ..... D10/85  
D653,217 S \* 1/2012 Lee ..... D13/147  
D725,050 S \* 3/2015 Tsugawa ..... D13/171  
D749,041 S \* 2/2016 Patel ..... D13/107  
D818,967 S 5/2018 Rippe et al.  
D824,859 S \* 8/2018 Chaillet ..... D13/147  
D850,388 S \* 6/2019 Morita ..... D13/158  
D867,186 S \* 11/2019 Osanai ..... D10/85  
D879,768 S 3/2020 Iwasaki et al.  
10,910,174 B2 \* 2/2021 Morita ..... H01H 13/04  
2006/0019539 A1 \* 1/2006 Ishizaki ..... H01R 13/648  
439/607.44  
2009/0088009 A1 \* 4/2009 Dai ..... H01R 12/712  
439/79

2009/0305577 A1 \* 12/2009 Bradford-Stagg ..... H01R 24/38  
439/680  
2010/0068925 A1 \* 3/2010 Daily ..... H01R 9/16  
439/567  
2010/0068945 A1 \* 3/2010 Chou ..... H01R 13/6582  
439/701  
2015/0050830 A1 \* 2/2015 Debabrata ..... H01R 12/7088  
439/485  
2016/0099583 A1 \* 4/2016 Zaroni ..... H01M 10/425  
429/7  
2016/0306121 A1 \* 10/2016 Yang ..... G02B 6/3825  
2016/0358729 A1 \* 12/2016 Hisada ..... H01H 9/04  
2018/0240625 A1 \* 8/2018 Stuklek ..... H01C 10/50  
2020/0366028 A1 11/2020 Krucinski et al.  
2021/0066002 A1 \* 3/2021 Morita ..... H01H 9/285

FOREIGN PATENT DOCUMENTS

JP 2019121479 A \* 7/2019 ..... H01H 13/04  
JP 2019121480 A \* 7/2019 ..... H01H 3/20  
JP 2019121481 A \* 7/2019 ..... H01H 3/20  
KR 3005139730002 12/2008

OTHER PUBLICATIONS

Kazuaki Morita et al., Push Switch, Design U.S. Appl. No. 29/636,249, filed Feb. 7, 2018, in the USPTO.

\* cited by examiner

Fig. 1

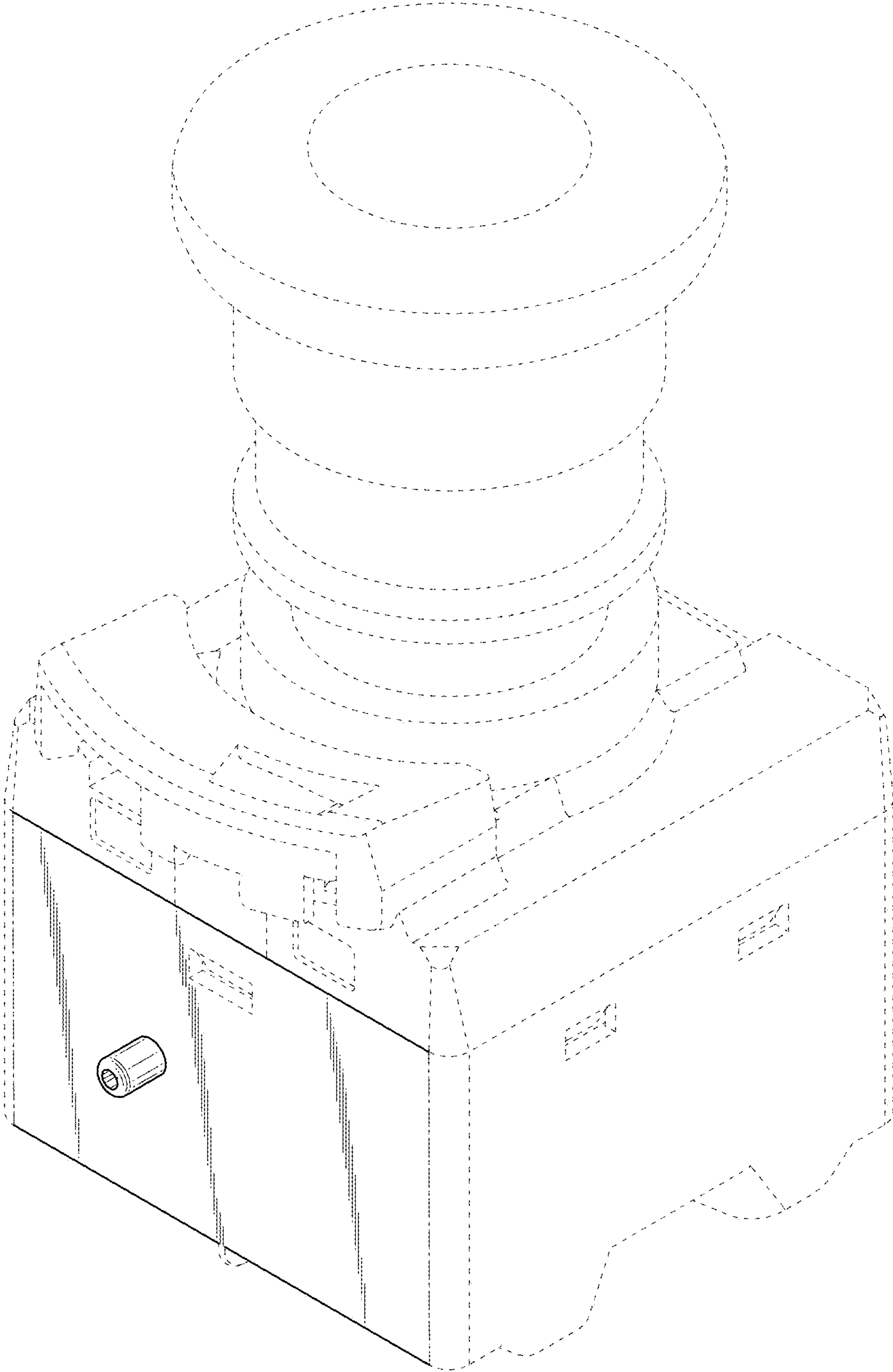


Fig. 2

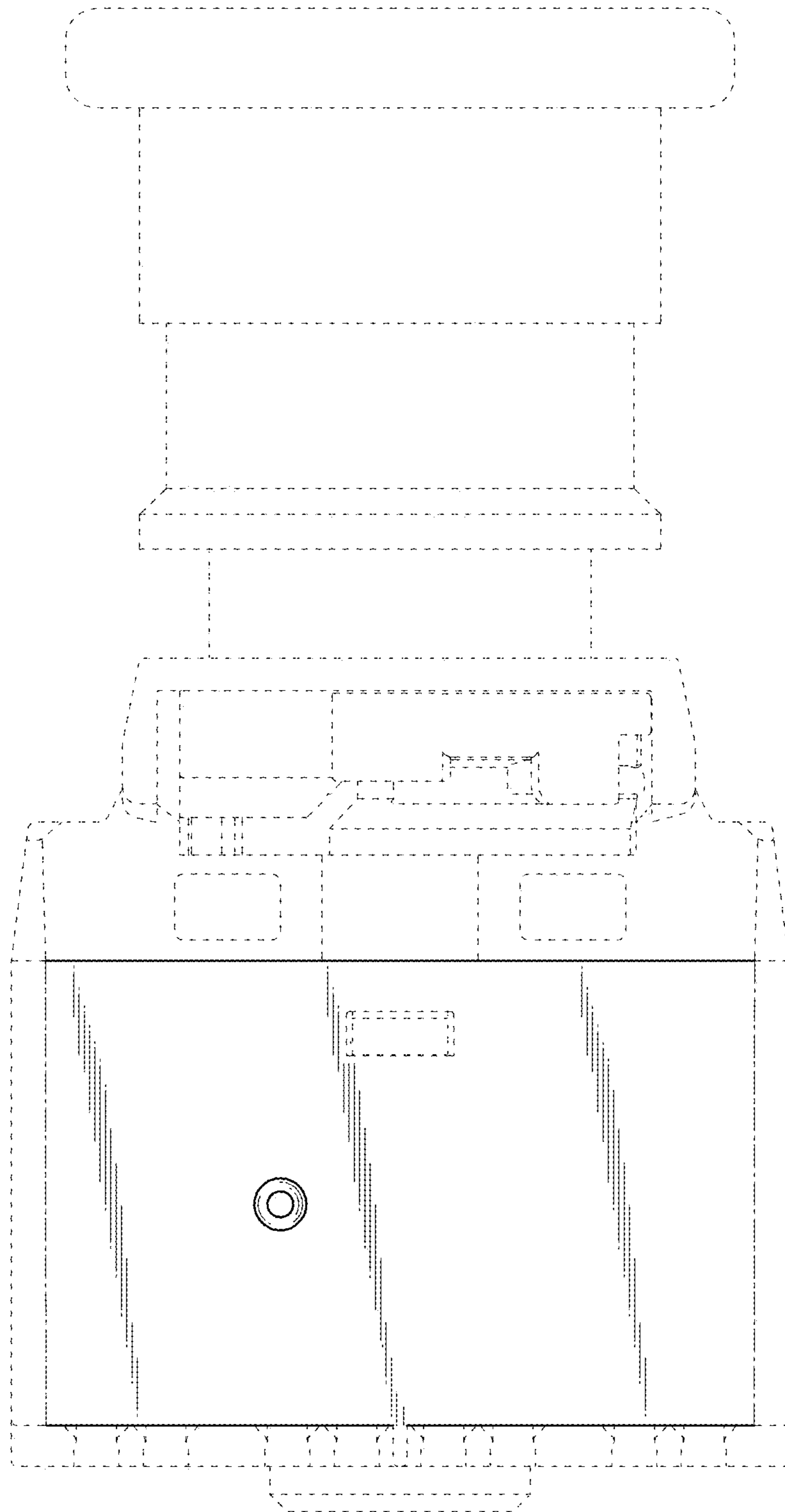


Fig. 3

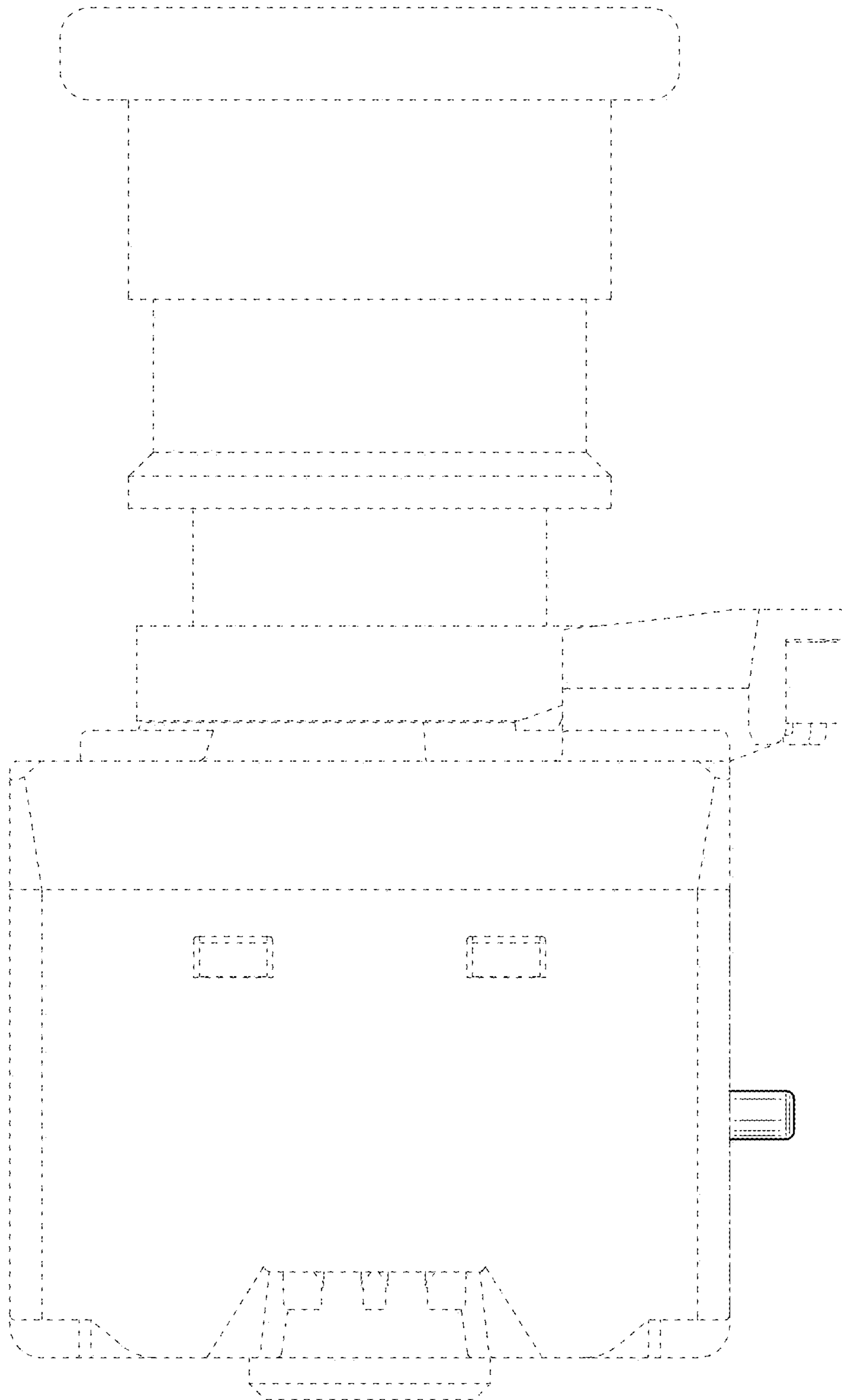


Fig. 4

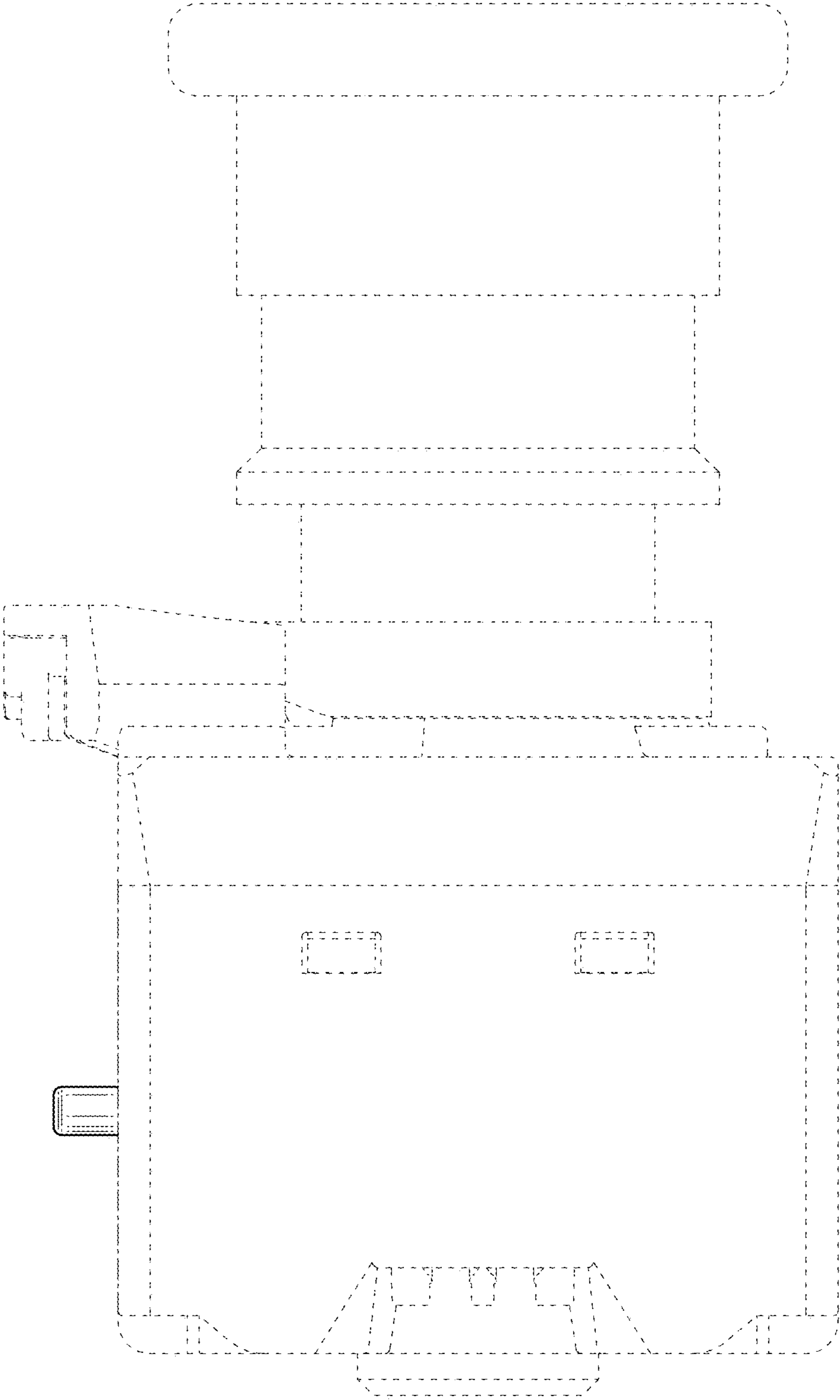


Fig. 5

