



US00D920923S

(12) **United States Design Patent** (10) **Patent No.:** **US D920,923 S**
Hirano (45) **Date of Patent:** **** Jun. 1, 2021**

(54) **ELECTRIC CONNECTION TERMINAL**

(57) **CLAIM**

(71) Applicant: **TATSUTA ELECTRIC WIRE & CABLE CO., LTD.**, Osaka (JP)

The ornamental design for an electric connection terminal, as shown and described.

(72) Inventor: **Masaki Hirano**, Kizugawa (JP)

DESCRIPTION

(73) Assignee: **TATSUTA ELECTRIC WIRE & CABLE CO., LTD.**, Osaka (JP)

1.1: Perspective

(**) Term: **15 Years**

1.2: Front

(21) Appl. No.: **35/506,616**

1.3: Back

(22) Filed: **Aug. 21, 2018**

1.4: Left

(80) **Hague Agreement Data**

1.5: Right

Int. Filing Date: **Aug. 21, 2018**

1.6: Top

Int. Reg. No.: **DM/102663**

1.7: Bottom

Int. Reg. Date: **Aug. 21, 2018**

1.8: Cross-sectional

Int. Reg. Pub. Date: **Feb. 22, 2019**

1.9: Cross-sectional

(30) **Foreign Application Priority Data**

4.1: Perspective

Feb. 21, 2018 (JP) 2018-003547

4.2: Front

Feb. 21, 2018 (JP) 2018-003549

4.3: Back

(51) **LOC (13) Cl.** **13-03**

4.4: Left

(52) **U.S. Cl.**

4.5: Right

USPC **D13/154**

4.6: Top

(58) **Field of Classification Search**

4.7: Bottom

USPC D13/154, 147, 155, 133, 146; D12/400

4.8: Cross-sectional

(Continued)

4.9: Cross-sectional

(56) **References Cited**

These articles are made of electrically conductive material; one or more electric wires can be connected electrically to an external electric wire or even without removing insulating covers of one or more electric wires; the vicinity of through holes is coated with an electrically conductive material by thermal spraying so that the end parts of the electric wires are electrically connected to this article; the external electric wire connects to the connecting part (hole) on one side of this article. In the reproductions, the broken lines are for the purpose of illustrating portions of the article that form no part of the claimed design. The electric connection terminal is shown with a symbolic break in its length. The appearance of any portion of the article between the break lines forms no part of the claimed design; 1.8 and 4.8 are cross-sectional views cut vertically at the center of the connecting hole; 1.9, and 4.9 are cross-sectional views cut vertically at the center of the groove.

U.S. PATENT DOCUMENTS

D593,951 S * 6/2009 Yoon D13/147

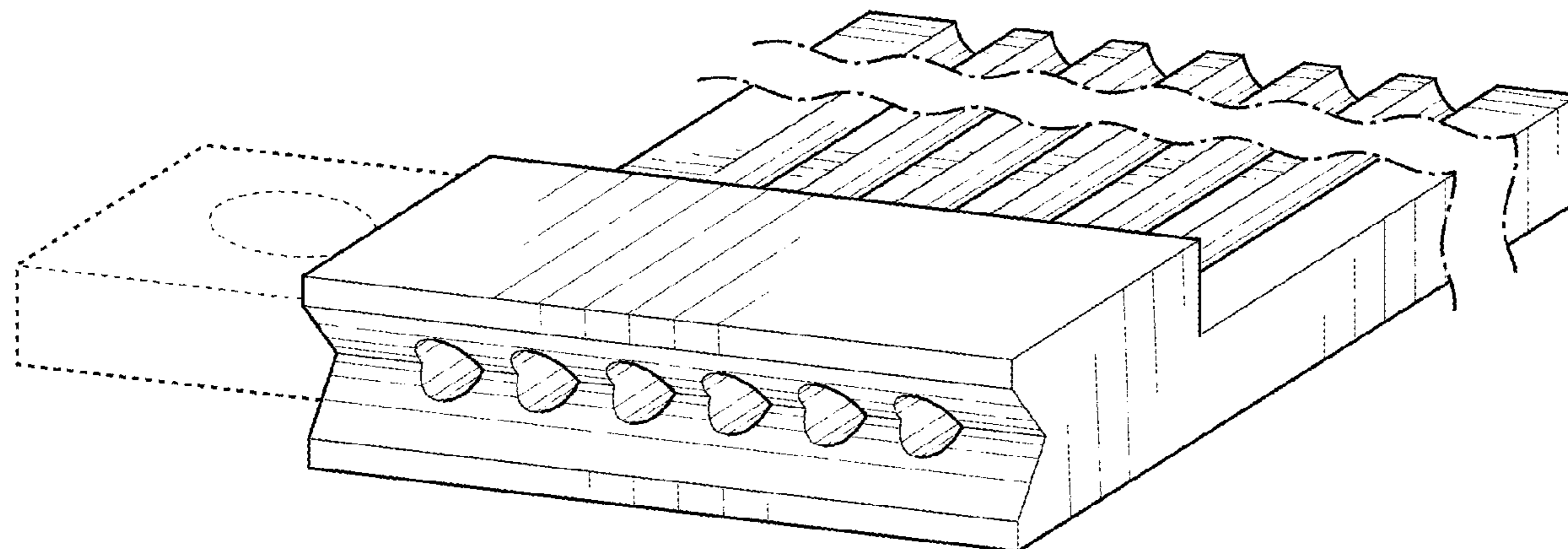
D625,270 S * 10/2010 Schafmeister D13/147

(Continued)

Primary Examiner — Rhea Shields

1 Claim, 18 Drawing Sheets

(74) *Attorney, Agent, or Firm* — Harness, Dickey & Pierce, P.L.C.



(58) **Field of Classification Search**

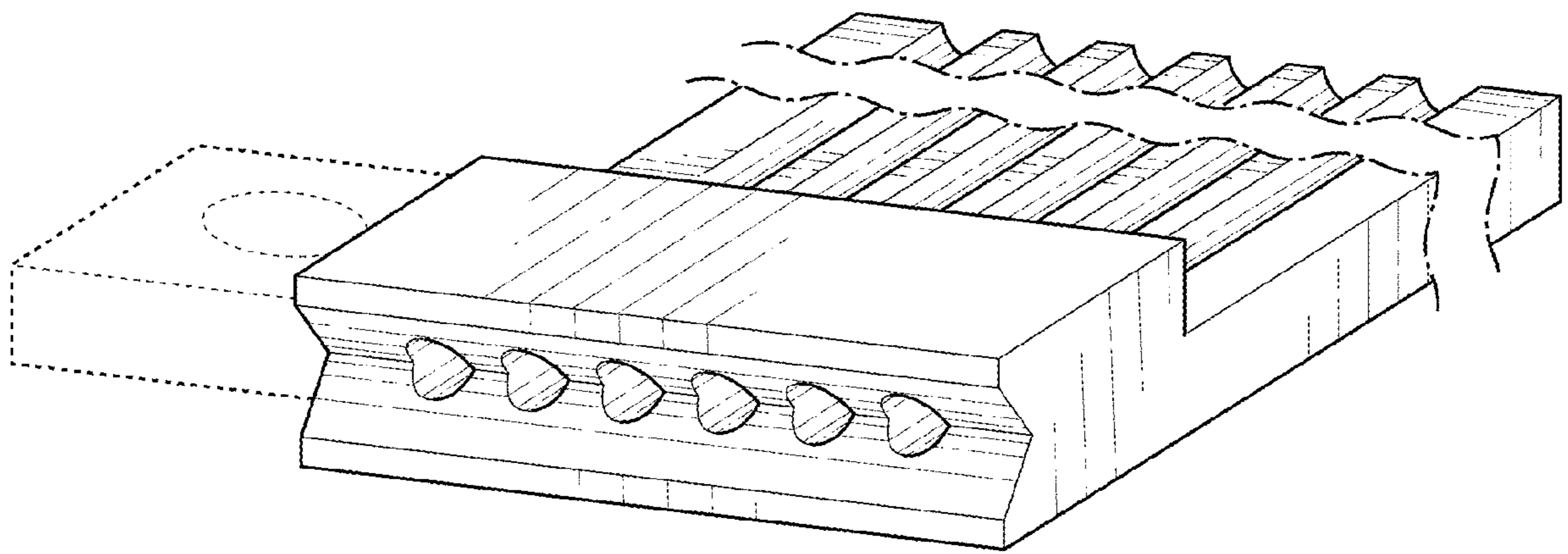
CPC H01R 4/4818
See application file for complete search history.

(56) **References Cited**

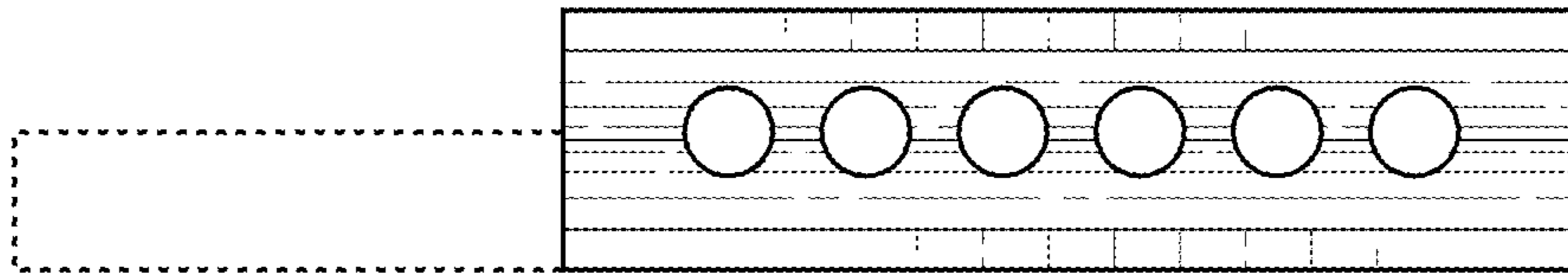
U.S. PATENT DOCUMENTS

D641,703	S	*	7/2011	Severing	D13/146
D676,391	S	*	2/2013	Gassauer	D13/147
D717,734	S	*	11/2014	Habirov	D13/147
D739,822	S	*	9/2015	Severing	D13/146
D747,270	S	*	1/2016	Severing	D13/146
D804,420	S	*	12/2017	Huettemeier	D13/147
9,899,752	B2	*	2/2018	Wu	H01R 4/4818
D824,336	S	*	7/2018	Yayoshi	D13/147
D824,339	S	*	7/2018	Yamaguchi	D13/147
D826,166	S	*	8/2018	Yayoshi	D13/147
D839,197	S	*	1/2019	Endo	D13/133
D839,205	S	*	1/2019	Endo	D13/147
D839,832	S	*	2/2019	Yanase	D13/147
D839,834	S	*	2/2019	Endo	D13/147
D845,907	S	*	4/2019	Suzuki	D13/154
D853,969	S	*	7/2019	Huang	D13/147
D859,317	S	*	9/2019	Huang	D13/147
D862,394	S	*	10/2019	Hernandez	D13/147
D864,123	S	*	10/2019	Swanson	D13/155
D866,446	S	*	11/2019	Chen	D12/400
D867,300	S	*	11/2019	Huang	D13/147
D868,700	S	*	12/2019	Huang	D13/147

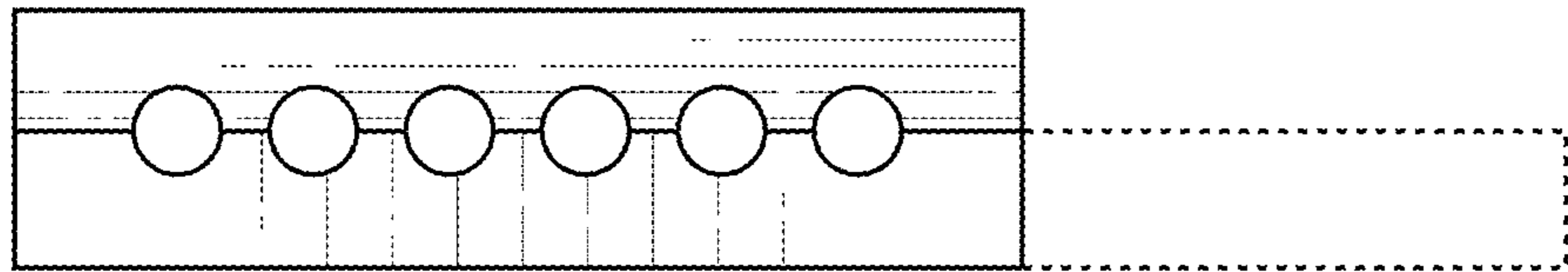
* cited by examiner



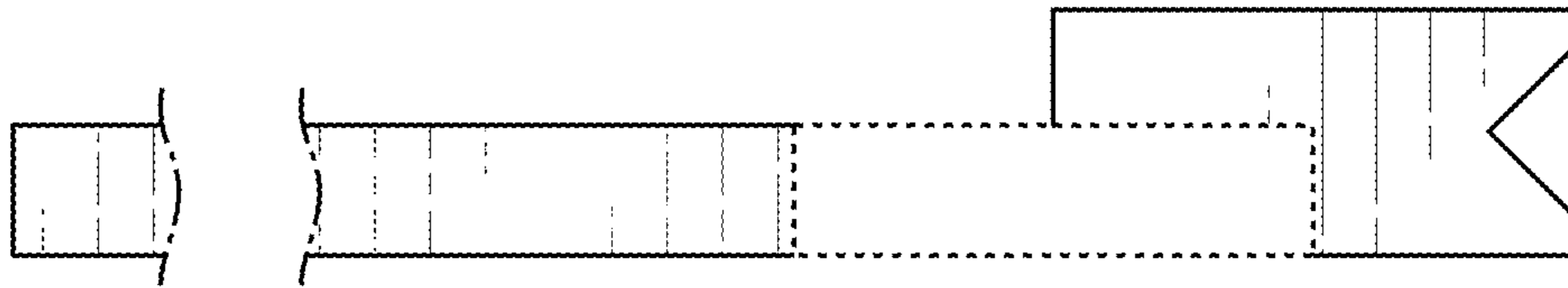
1.1



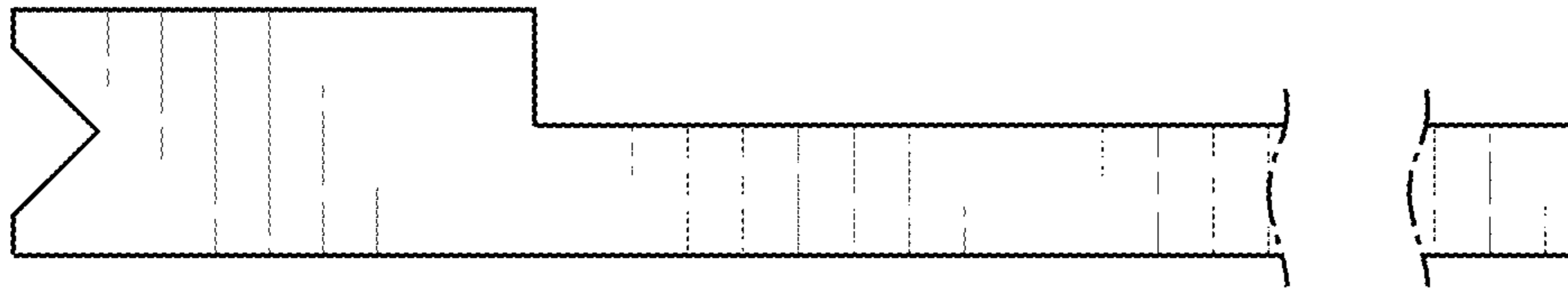
1.2



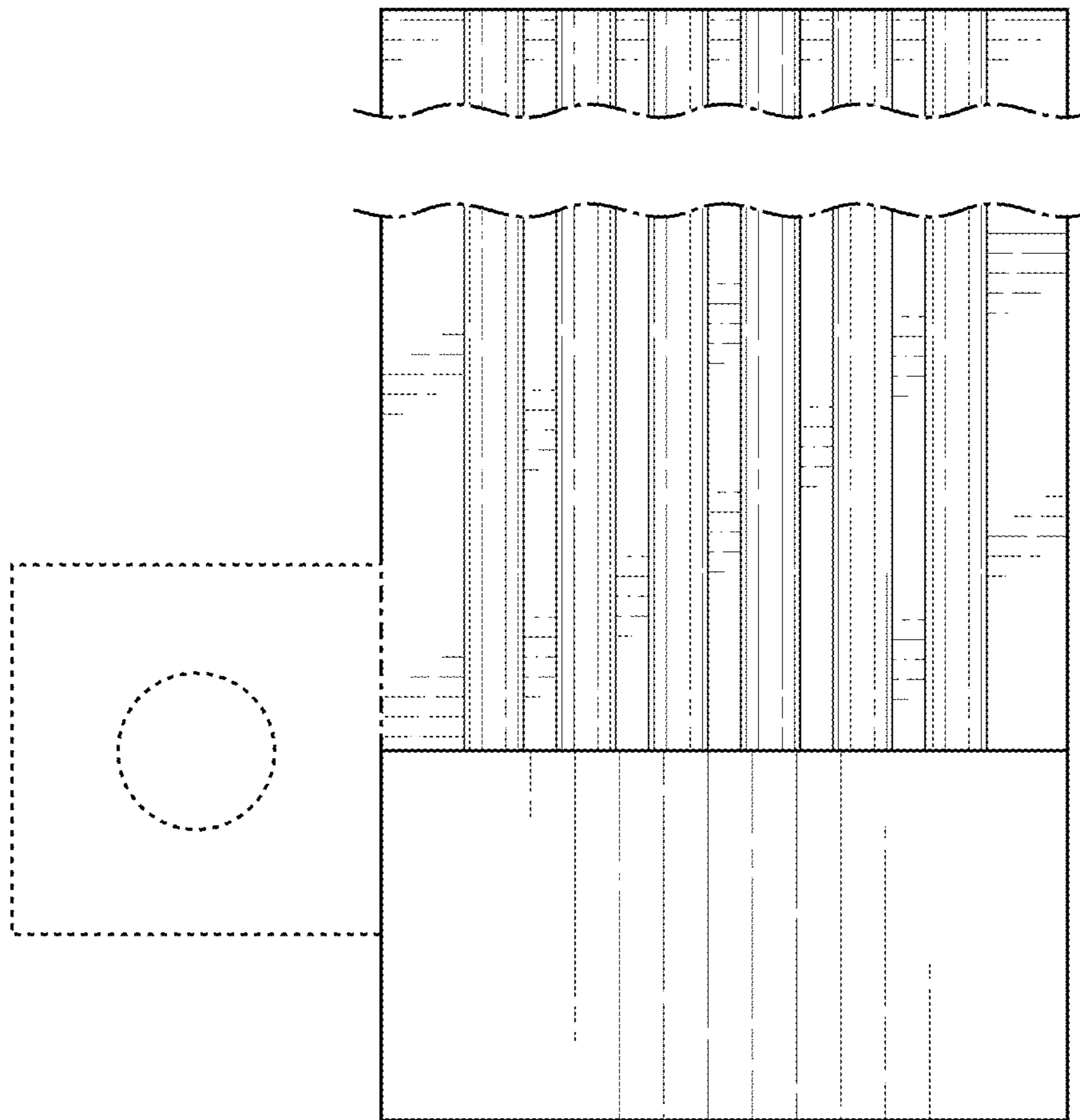
1.3



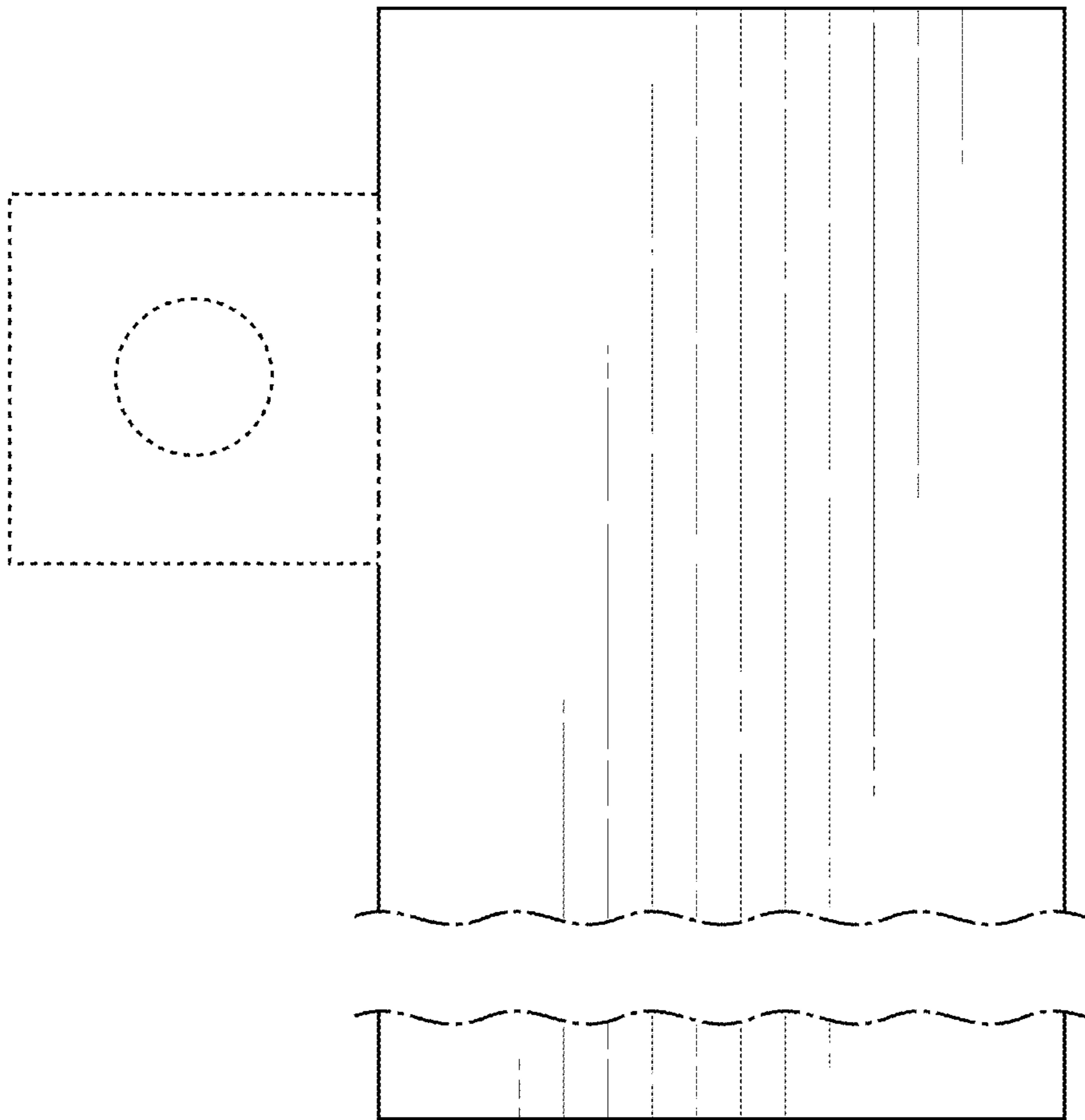
1.4



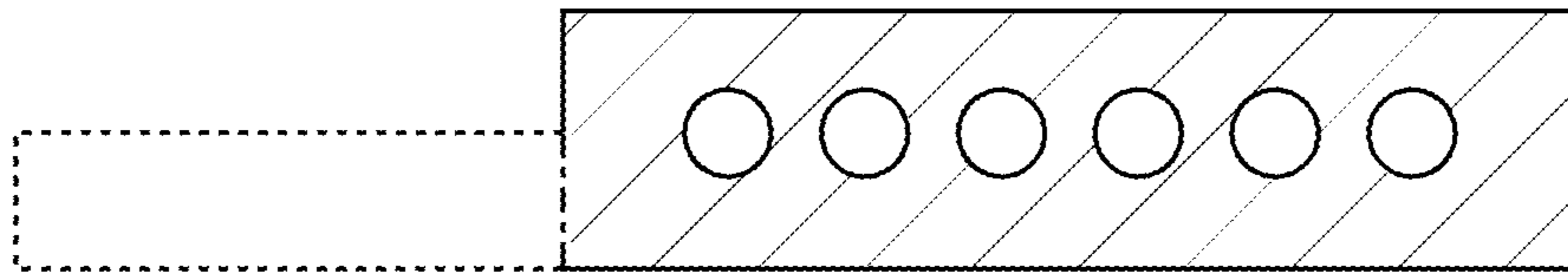
1.5



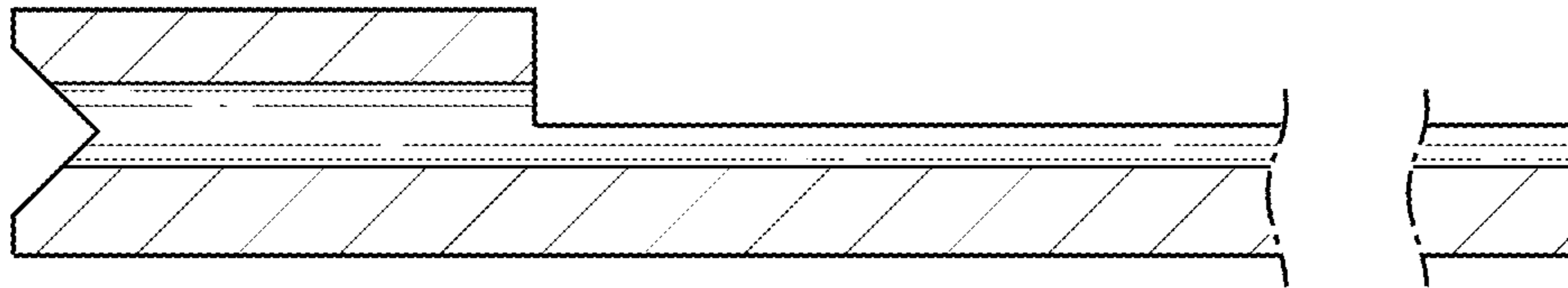
1.6



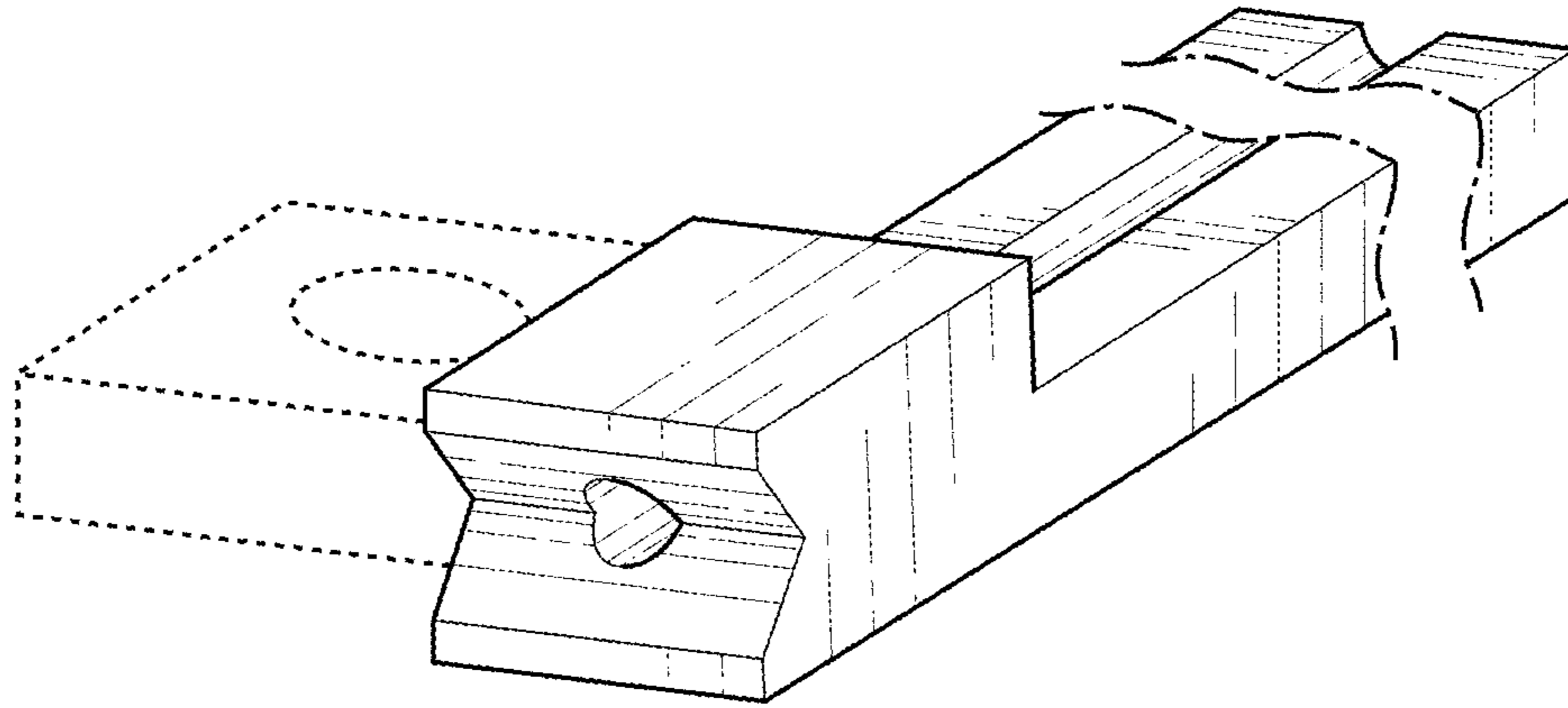
1.7



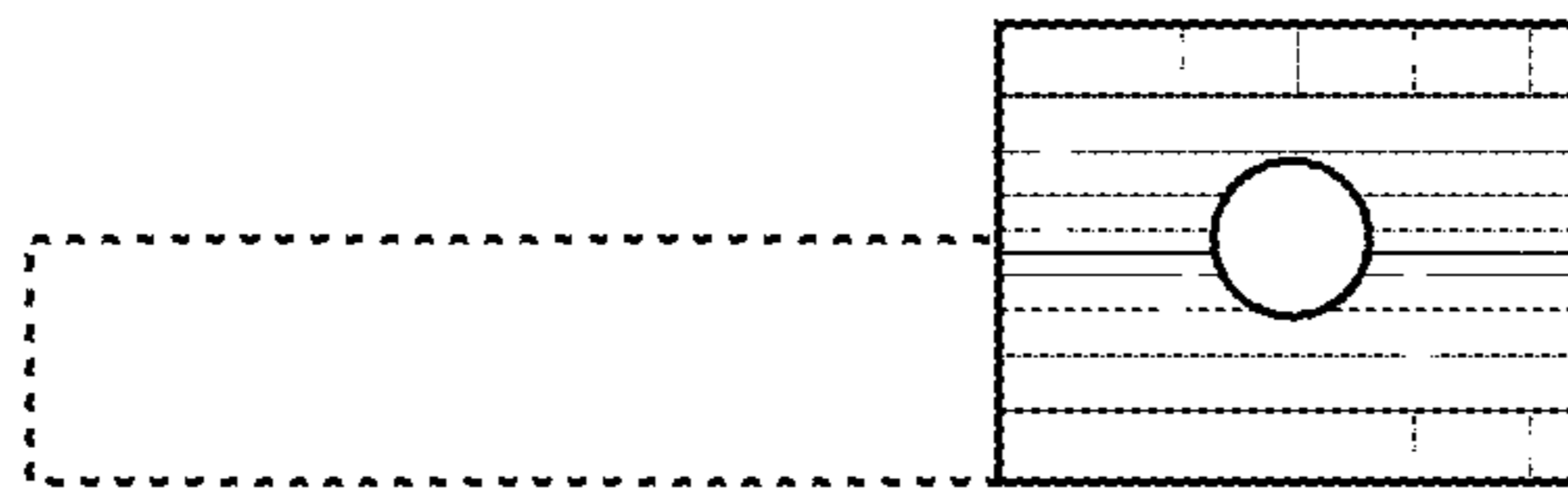
1.8



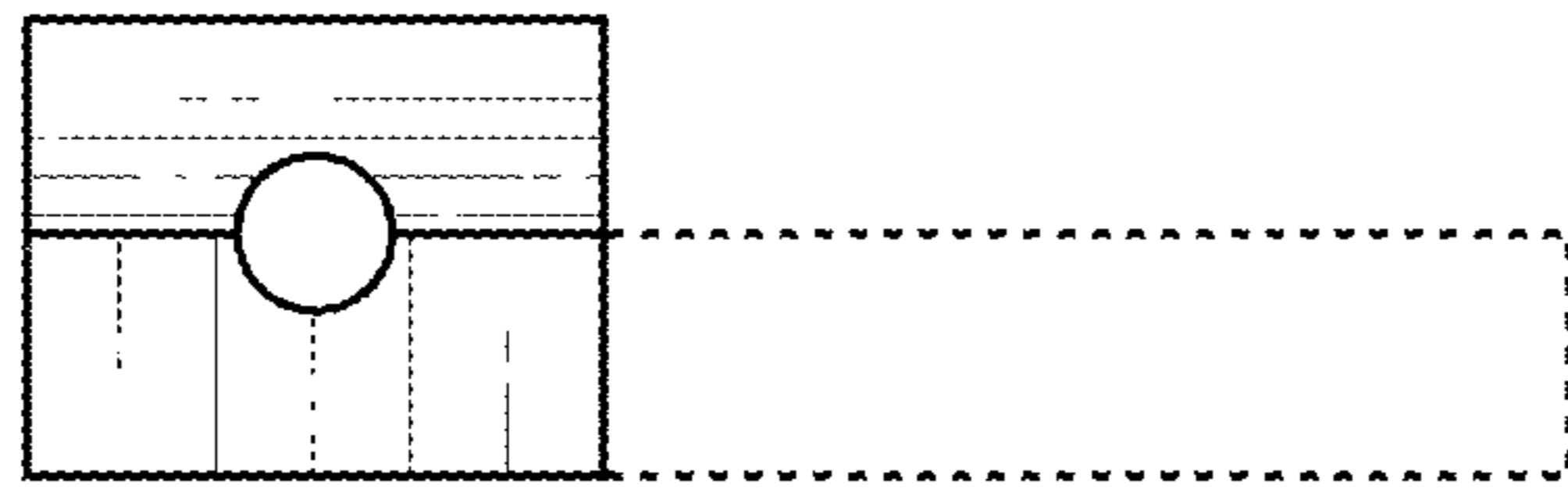
1.9



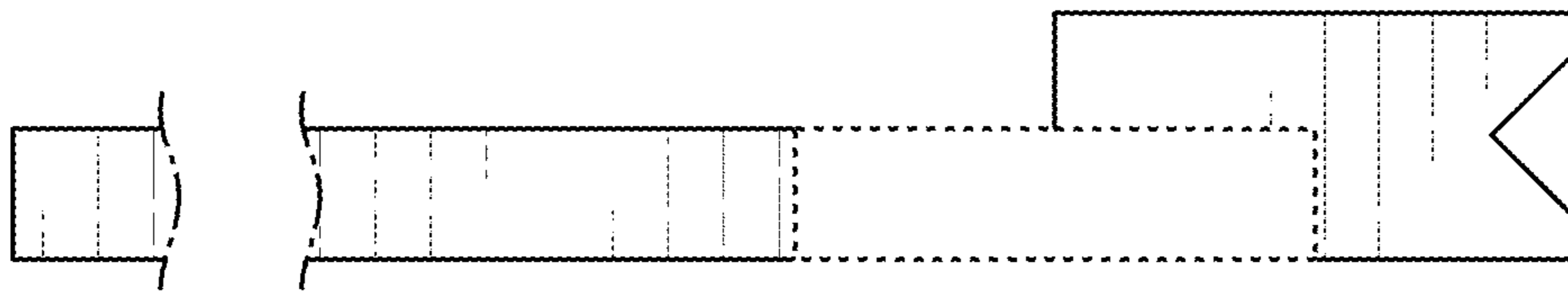
4.1



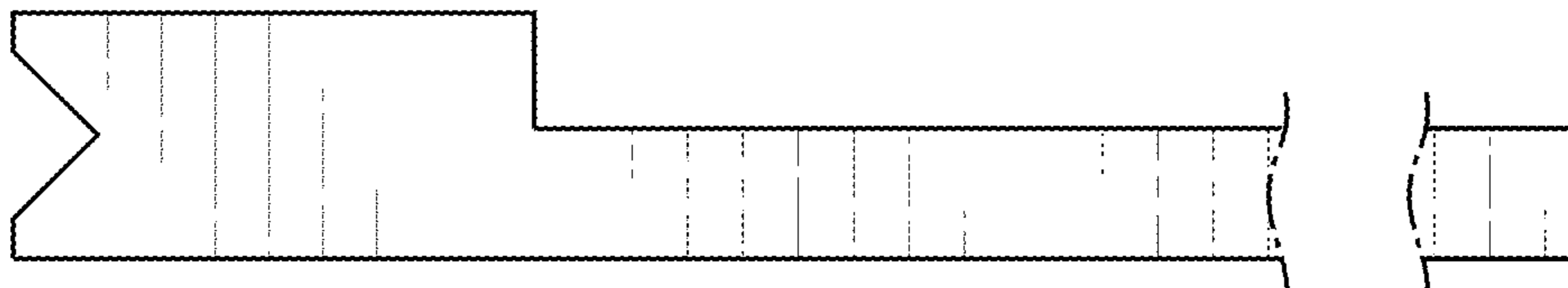
4.2



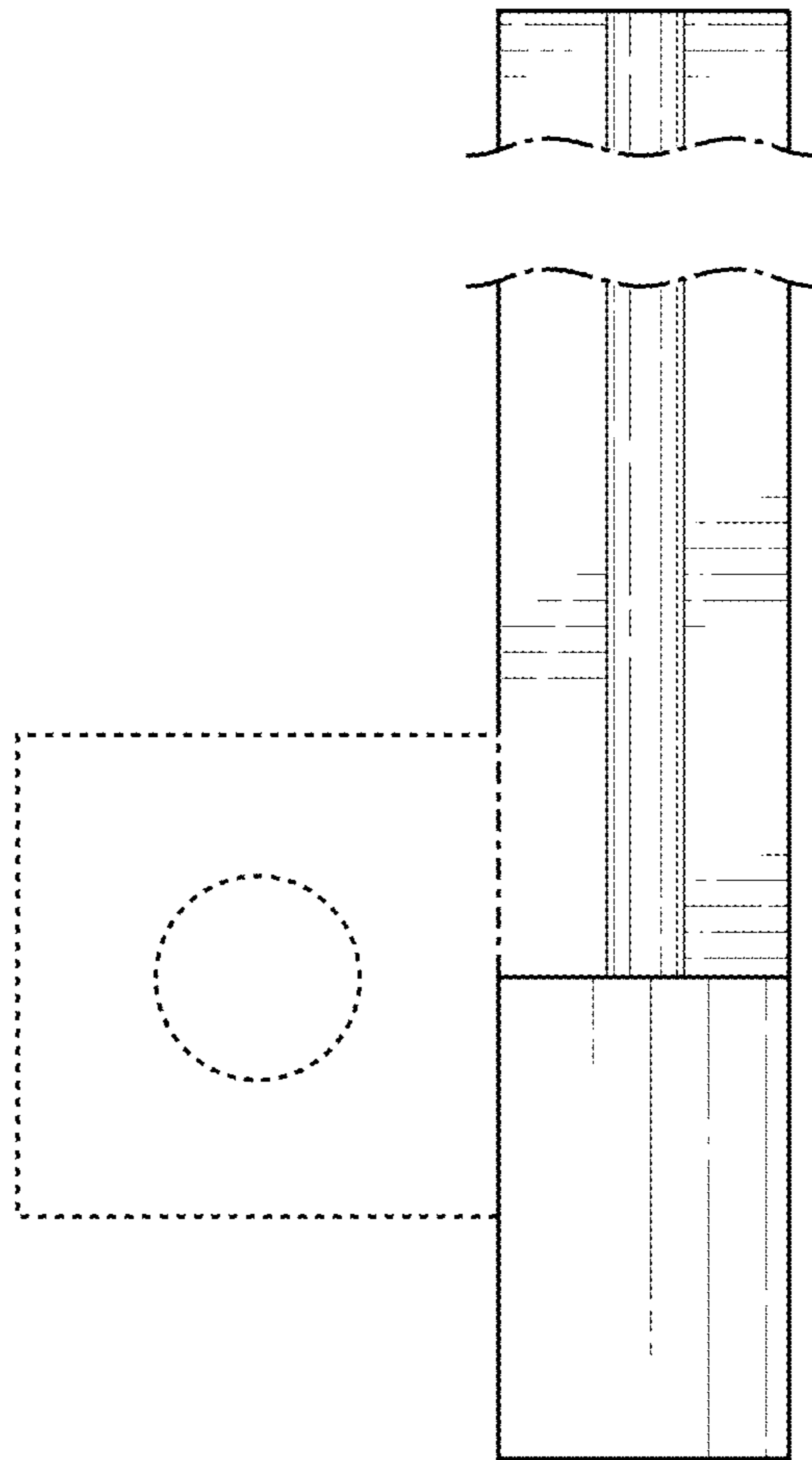
4.3



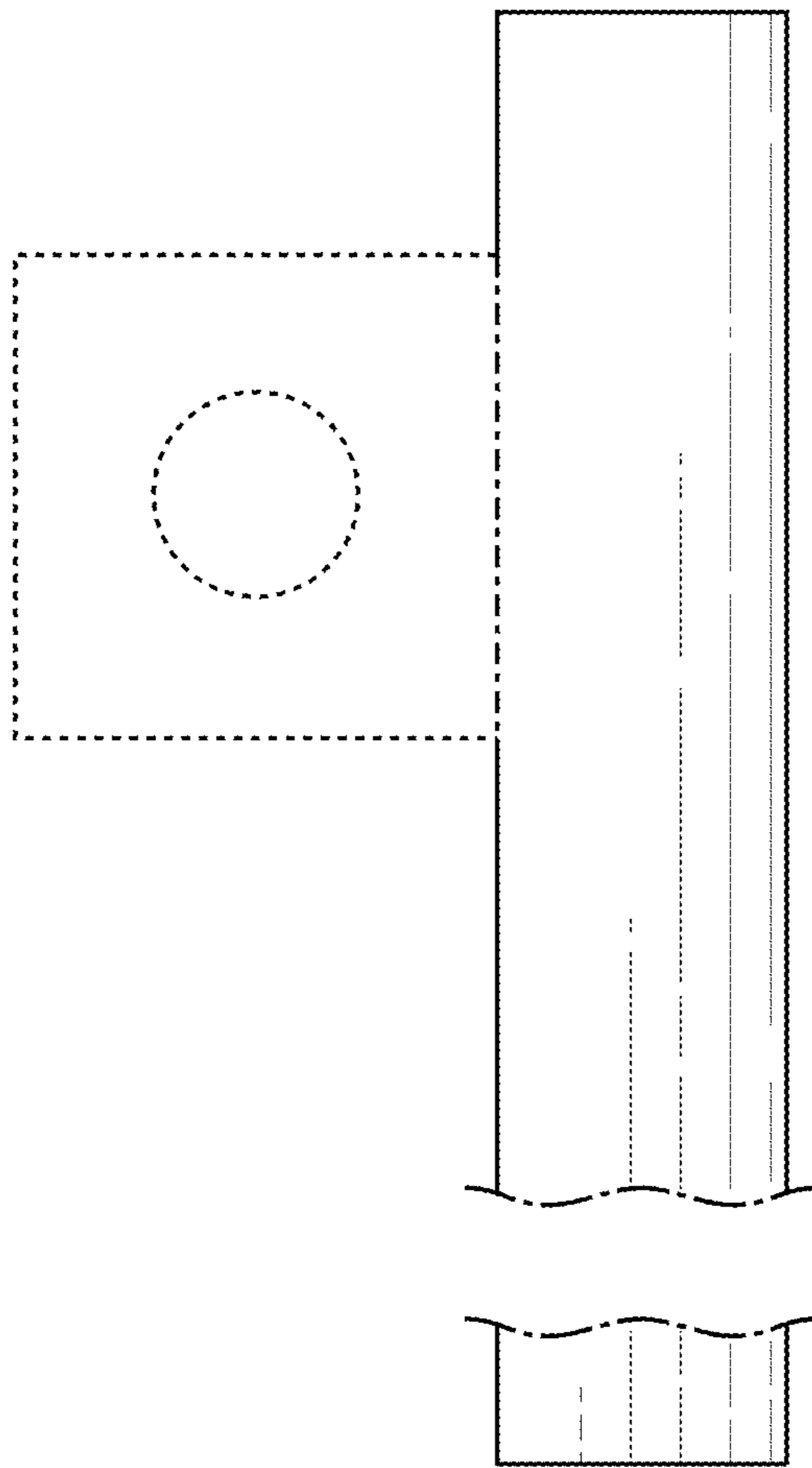
4.4



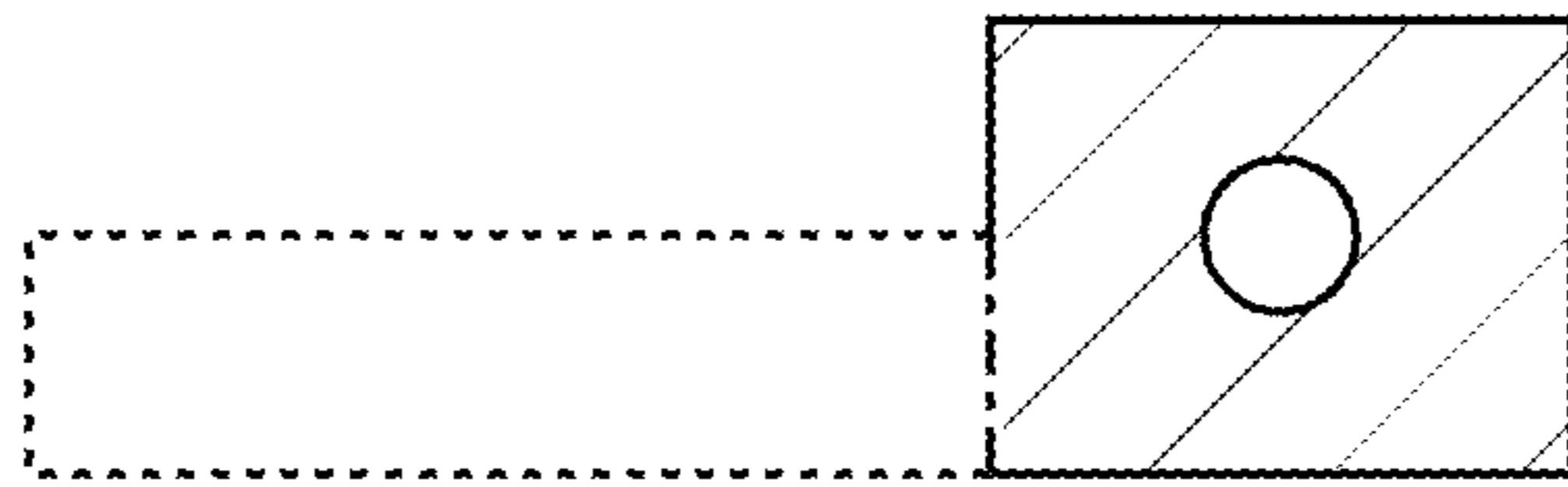
4.5



4.6



4.7



4.8



4.9