



US00D920922S

(12) **United States Design Patent**
Delker et al.

(10) **Patent No.:** **US D920,922 S**

(45) **Date of Patent:** **** Jun. 1, 2021**

(54) **ELECTRICAL CONNECTION PLUG**

(71) Applicant: **Phoenix Contact GmbH & Co. KG**,
Blomberg (DE)

(72) Inventors: **Michael Delker**, Herrenberg (DE);
Hrvoje Babic, Reutlingen (DE);
Morten Harren, Herrenberg (DE);
Manfred Brode, Oeschelbronn (DE);
Markus Michel, Nagold (DE); **Markus**
Hermann, Ammerbuch-Breitenholz
(DE); **Joerg Zenkner**, Forchtenberg
(DE); **Lisa Gebhard**, Herrenberg (DE)

(73) Assignee: **PHOENIX CONTACT GMBH & CO.**
KG, Blomberg (DE)

(**) Term: **15 Years**

(21) Appl. No.: **29/686,217**

(22) Filed: **Apr. 3, 2019**

(30) **Foreign Application Priority Data**

Oct. 29, 2018 (EM) 005812302

(51) **LOC (13) Cl.** **13-03**

(52) **U.S. Cl.**
USPC **D13/151; D13/133**

(58) **Field of Classification Search**
USPC D13/123, 133, 146, 147, 149, 154, 156,
D13/173, 184, 199, 151
CPC . H01R 9/00; H01R 9/05; H01R 12/00; H01R
13/00; H01R 13/26; H01R 13/42; H01R
13/46; H01R 13/622; H01R 24/00; H01R
4/38; H01R 13/424; H01R 13/506; H01R
13/62; H01R 24/38
See application file for complete search history.

(56) **References Cited**

U.S. PATENT DOCUMENTS

D312,614 S * 12/1990 Amachi D13/133
D525,202 S * 7/2006 Bihrer D13/146

D596,581 S * 7/2009 Amidon D13/133
D622,216 S * 8/2010 Rizzo D13/133
D643,370 S * 8/2011 Eriksen D13/154
D678,197 S * 3/2013 Kagelmacher D13/133
D703,142 S * 4/2014 Hoshino D13/147
10,741,972 B2 * 8/2020 Iwamoto H01R 12/724
D904,313 S * 12/2020 Delker D13/151
2007/0037429 A1 * 2/2007 Scholler H01R 13/622
439/312
2009/0170364 A1 * 7/2009 Scholler H01R 13/622
439/359
2013/0143424 A1 * 6/2013 Nguyen Nhu H01R 13/447
439/131
2015/0280349 A1 * 10/2015 Thelen H01R 13/5812
439/701

(Continued)

Primary Examiner — Angela J Lee

Assistant Examiner — Shawn T Gingrich

(74) *Attorney, Agent, or Firm* — Leydig, Voit & Mayer,
Ltd.

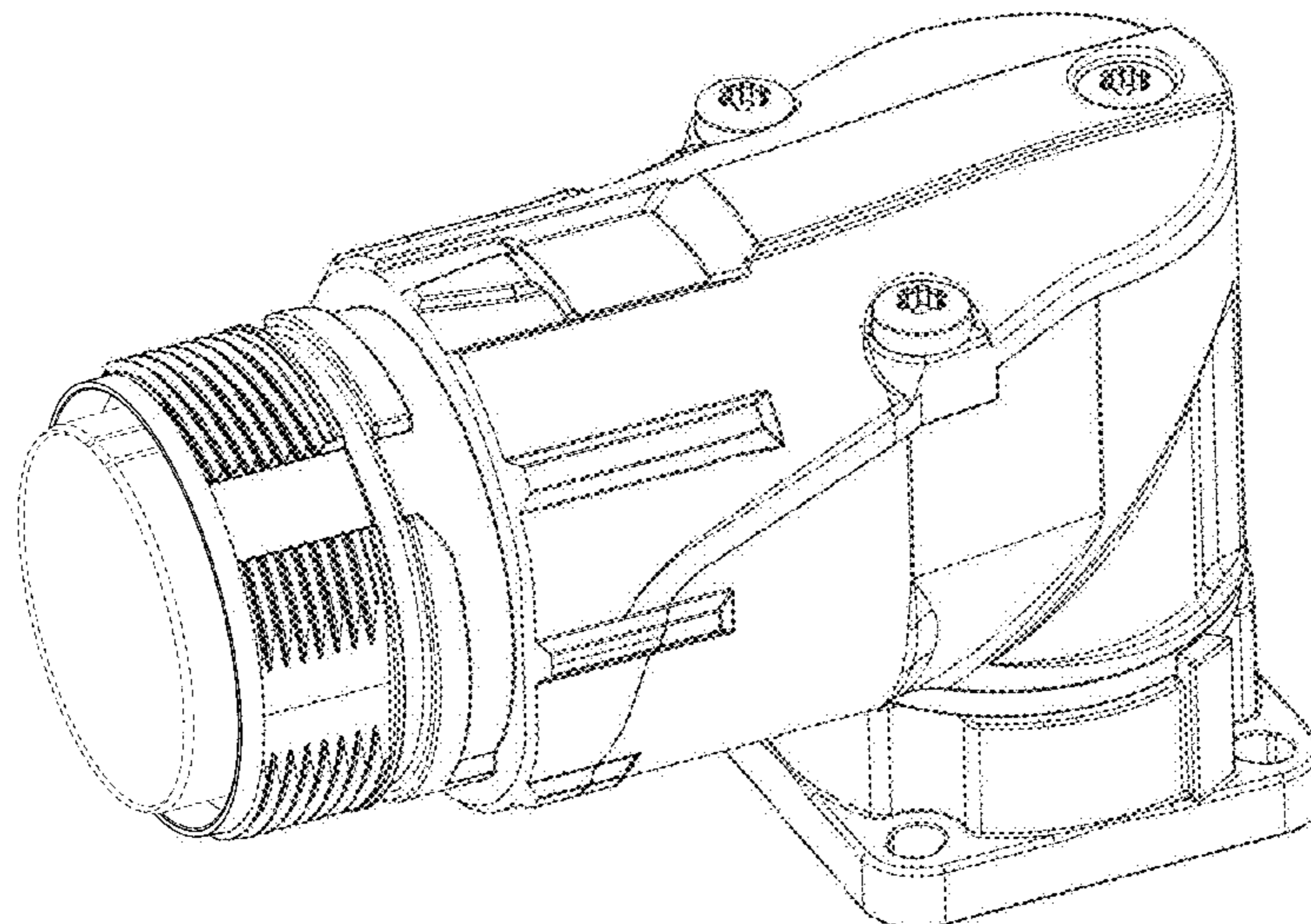
(57) **CLAIM**

The ornamental design for an electrical connection plug, as
shown and described.

DESCRIPTION

FIG. 1 is a front-right-top perspective view of an electrical
connection plug showing an embodiment of our new design;
FIG. 2 is a right-side view thereof;
FIG. 3 is a front view thereof;
FIG. 4 is a top view thereof;
FIG. 5 is a rear view thereof;
FIG. 6 is a bottom view thereof; and,
FIG. 7 is a left-side view thereof.
The broken lines in the drawings illustrate portions of the
electrical connector plug that form no part of the claimed
design.

1 Claim, 7 Drawing Sheets



(56)

References Cited

U.S. PATENT DOCUMENTS

2019/0140392 A1* 5/2019 Zou H01R 13/5025
2020/0083630 A1* 3/2020 Tuenker H01R 13/5045

* cited by examiner

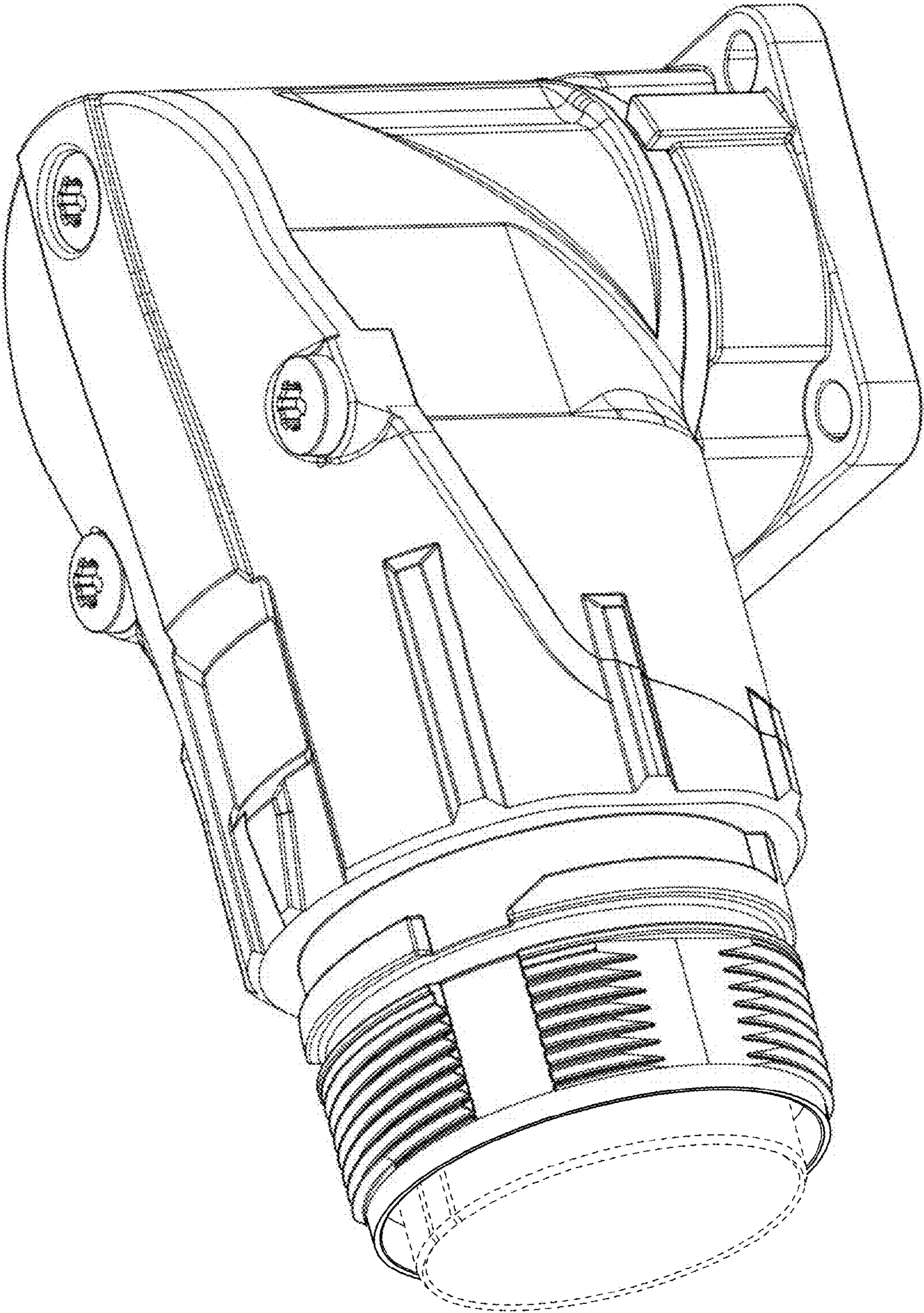


FIG. 1

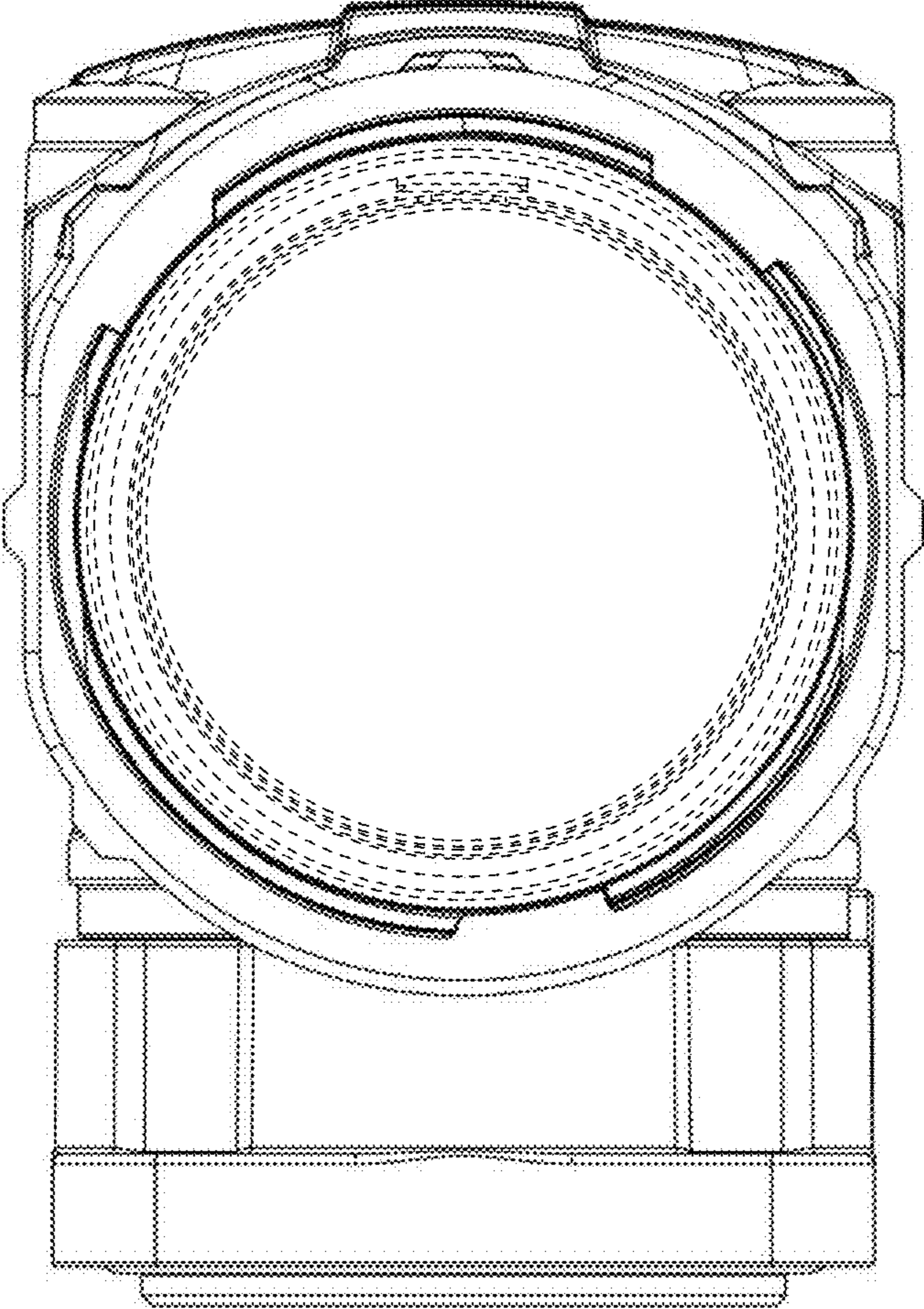


FIG. 2

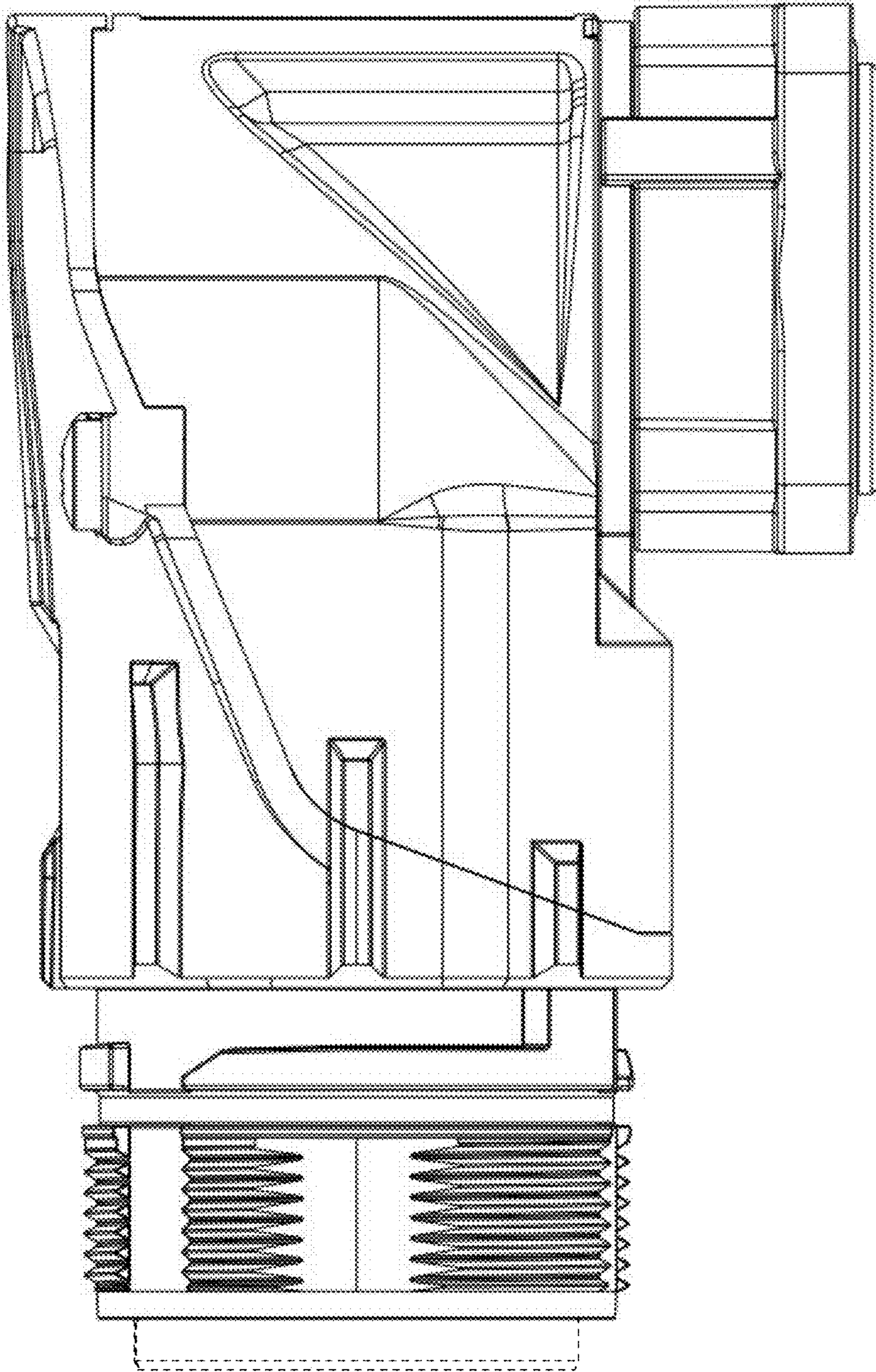


FIG. 3

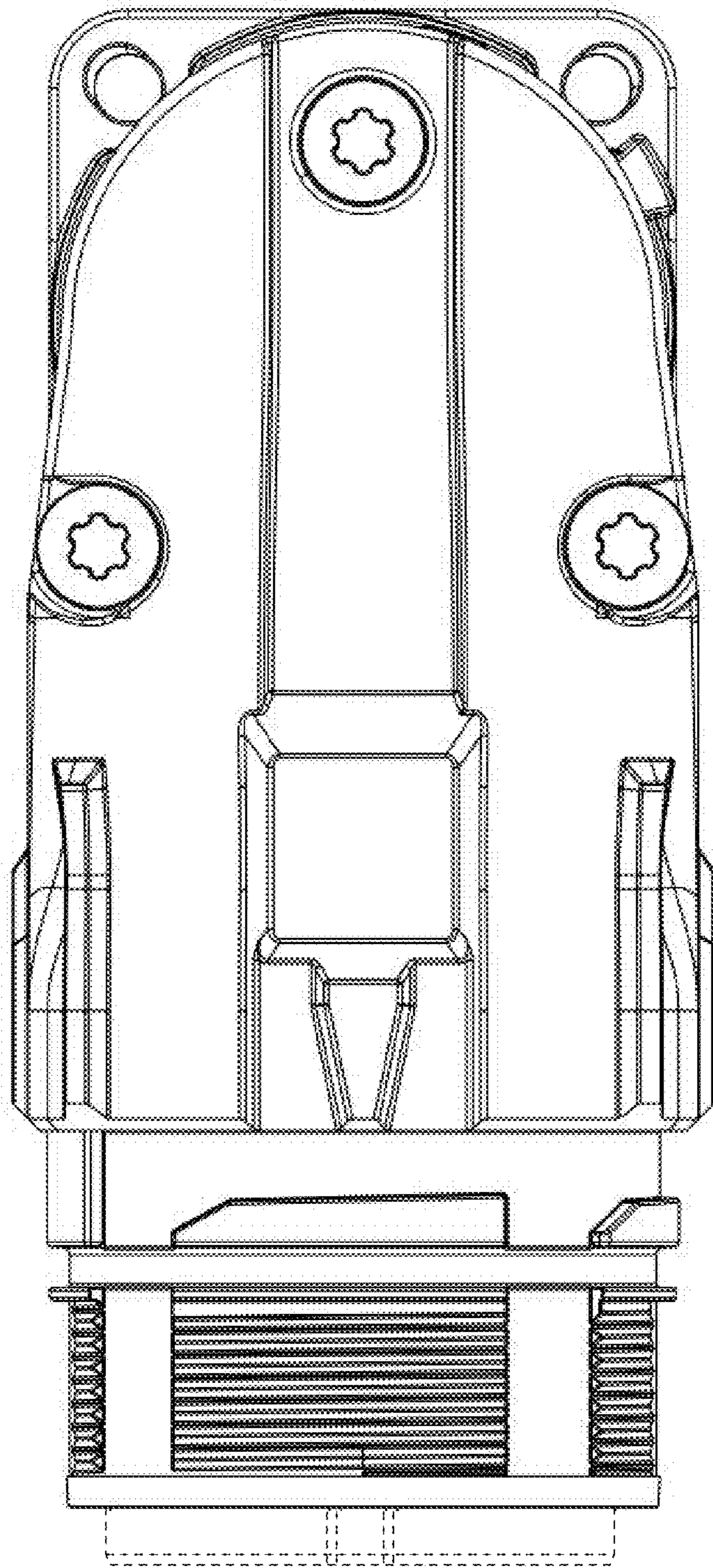


FIG. 4

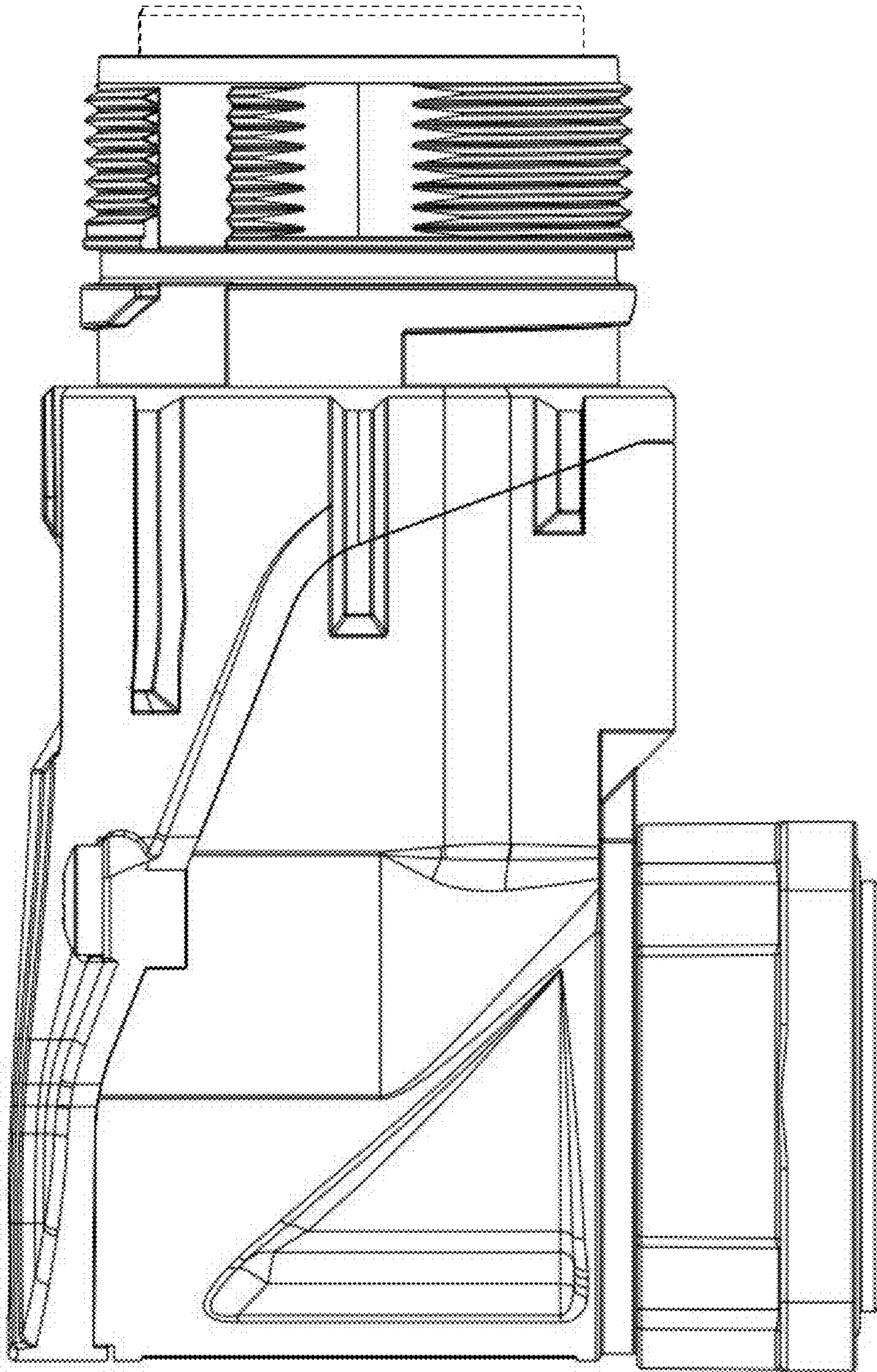


FIG. 5

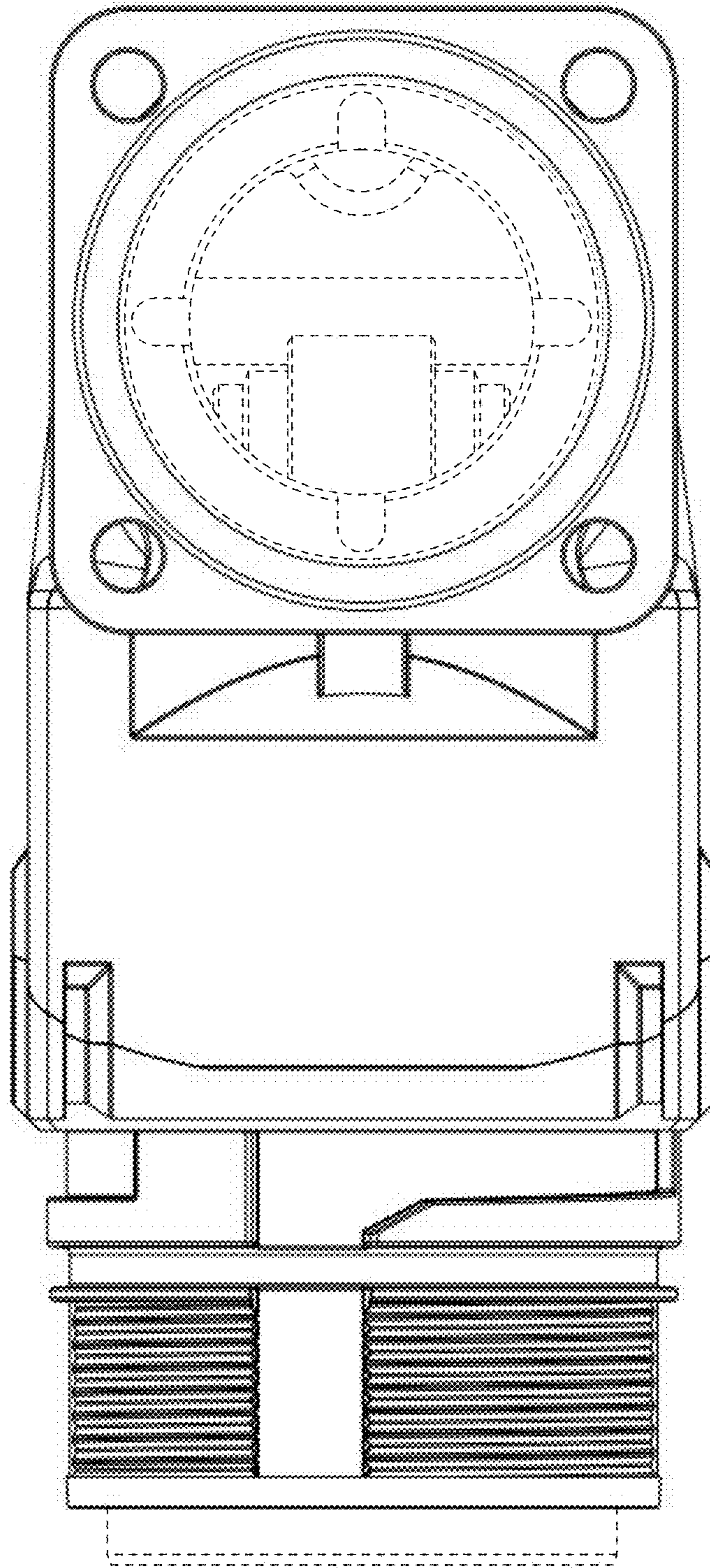


FIG. 6

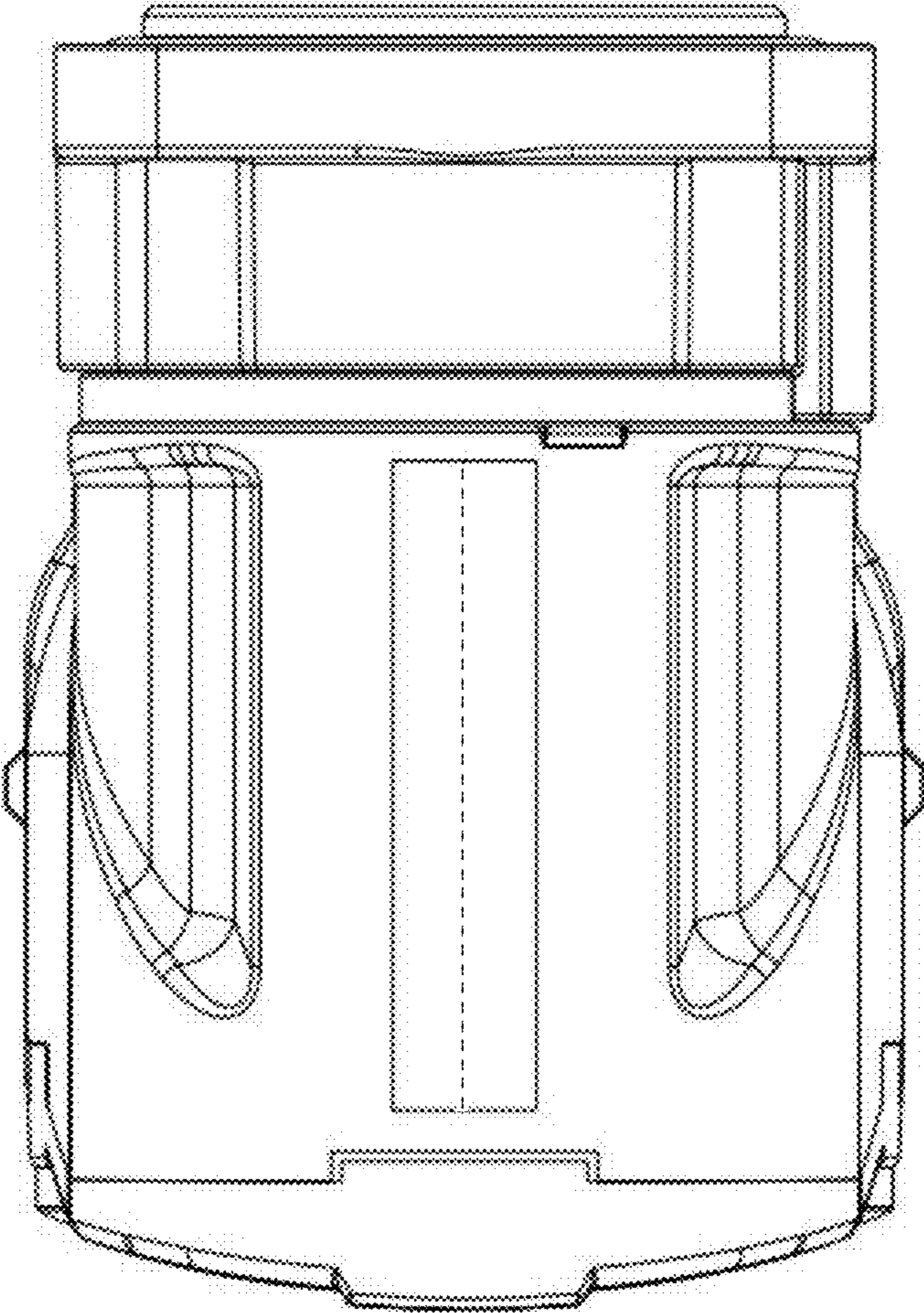


FIG. 7